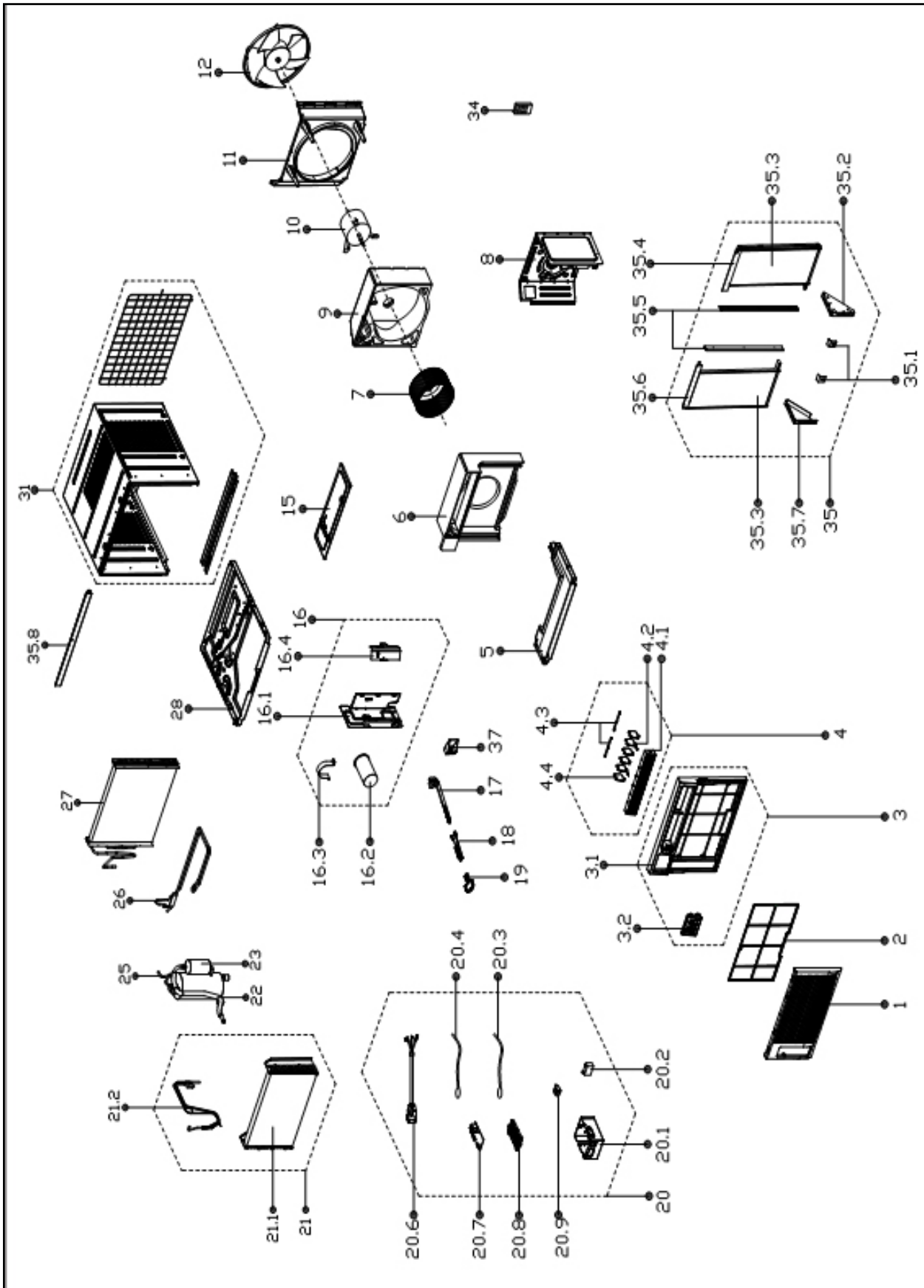


HEAT CONTROLLER

**REPLACEMENT  
PARTS LIST**

**Room Air Conditioner with R-410A:  
RADS-151M**

# EXPLODED VIEW



# REPLACEMENT PARTS

Location	Part Name	Quantity	Part No.
1	Panel	1.0	12120300A00717
2	Filter	1.0	12100204A00047
3	Panel frame assembly	1.0	12120300A01365
3.1	Panel frame	1.0	12120300A00827
3.2	Structure Subassembly of Display Box	1.0	17220300A00371
4	Air Out Frame assembly	1	12120300A00633
4.1	Air Out Frame	1.0	12120300000825
4.2	Louver	2.0	12120300A00582
4.3	Louver Holder	2.0	12120300A00689
4.4	Louver	4.0	12120300A00586
5	Drain Pan	1.0	12820300000025
6	Front Air Duct Foam	1.0	12820300000136
7	Centrifugal Fan	1.0	12100103000010
8	Front right Boarding assembly	1.0	12220300000575
9	Rear Air Duct Foam	1.0	12820300000033
10	Single-phase Asynchronous Motor	1.0	11002012003833
11	Rear barrier Subassembly	1.0	12120300000561
12	Axial fan	1.0	12100105000076
15	Front clapboard	1.0	12220300000524
16	Front left Boarding	1.0	12220300000592
16.1	Front left Boarding assembly	1.0	12220300000584
16.2	Compressor Capacitor(Round)	1.0	17400103000090
16.3	Capacitor Clamp	1.0	12200203000017
16.4	Electrical Heating and Installing Box	1.0	12220300000459
17	Pull rod I of vent door	1.0	12120300000425
18	Pocket II of vent door	1.0	12120300001286
19	Pull rod II-B7 of vent door	1.0	12120300000427
20	E-Parts Box Subassembly of Upper Air-out Window Series	1.0	17220300000444
20.1	Welding Parts of Electrical Control Box	1.0	12220300000505
20.2	Fan Capacitor	1.0	17400101000037
20.3	Temperature Sensor	1.0	11201007000126
20.4	Room Temperature Sensor	1.0	11201007000088
20.6	Power Supply Cable Subassembly	1.0	17401202000109
20.7	Main Control Board Subassembly(Sticker)	1.0	17120300000515
20.8	Mounting rack of main control panel	1.0	12120300000521
20.9	Power Transformer	1.0	11203103000120
21	Evaporator assembly Gas valve assembly	1.0	15820300000082
21.1	Evaporator	1.0	15820300000419
21.2	Capillary Assembly	1.0	15120300001165
22	Parts of compressor return pipe	1.0	15120300001340
23	Fixed speed rotary compressor	1.0	11103010000768
25	Parts of compressor exhaust pipe	1.0	15120300001003
26	Sub-cooling pipe assembly	1.0	15120300001137
27	Condenser Assembly	1.0	15820300000651
28	Chassis Subassembly	1.0	12220300000419
31	Floor Subassembly	1.0	12220300000817
34	Remote controller	1.0	17317000A03529
35	Installing Accessories	1.0	12020300A00074
35.1	Installing Located Block	2.0	12220300000536
35.2	Right clapboard	1.0	12220300000929
35.3	Shutter	2.0	12120300001327
35.4	Right shutter frame	1.0	12120300001355
35.5	Connection Bar on Case	2.0	12120300001348
35.6	Left frame strip	1.0	12120300001388
35.7	Left supporting panel	1.0	12220300000932
35.8	Upper Shutter Frame	1.0	12220300000897
37	Pocket of new vent door	1.0	12120300001264
	Display label	1	16020300A02229

Due to ongoing product improvements, specifications and dimensions are subject to change and correction without notice or incurring obligations. Determining the application and suitability for use of any product is the responsibility of the installer. Additionally, the installer is responsible for verifying dimensional data on the actual product prior to beginning any installation preparations.

Incentive and rebate programs have precise requirements as to product performance and certification. All products meet applicable regulations in effect on date of manufacture; however, certifications are not necessarily granted for the life of a product. Therefore, it is the responsibility of the applicant to determine whether a specific model qualifies for these incentive/rebate programs.

# HEAT CONTROLLER

1900 Wellworth Ave., Jackson MI 49203 • Ph. 517-787-2100 • [www.heatcontroller.com](http://www.heatcontroller.com)

A  Company