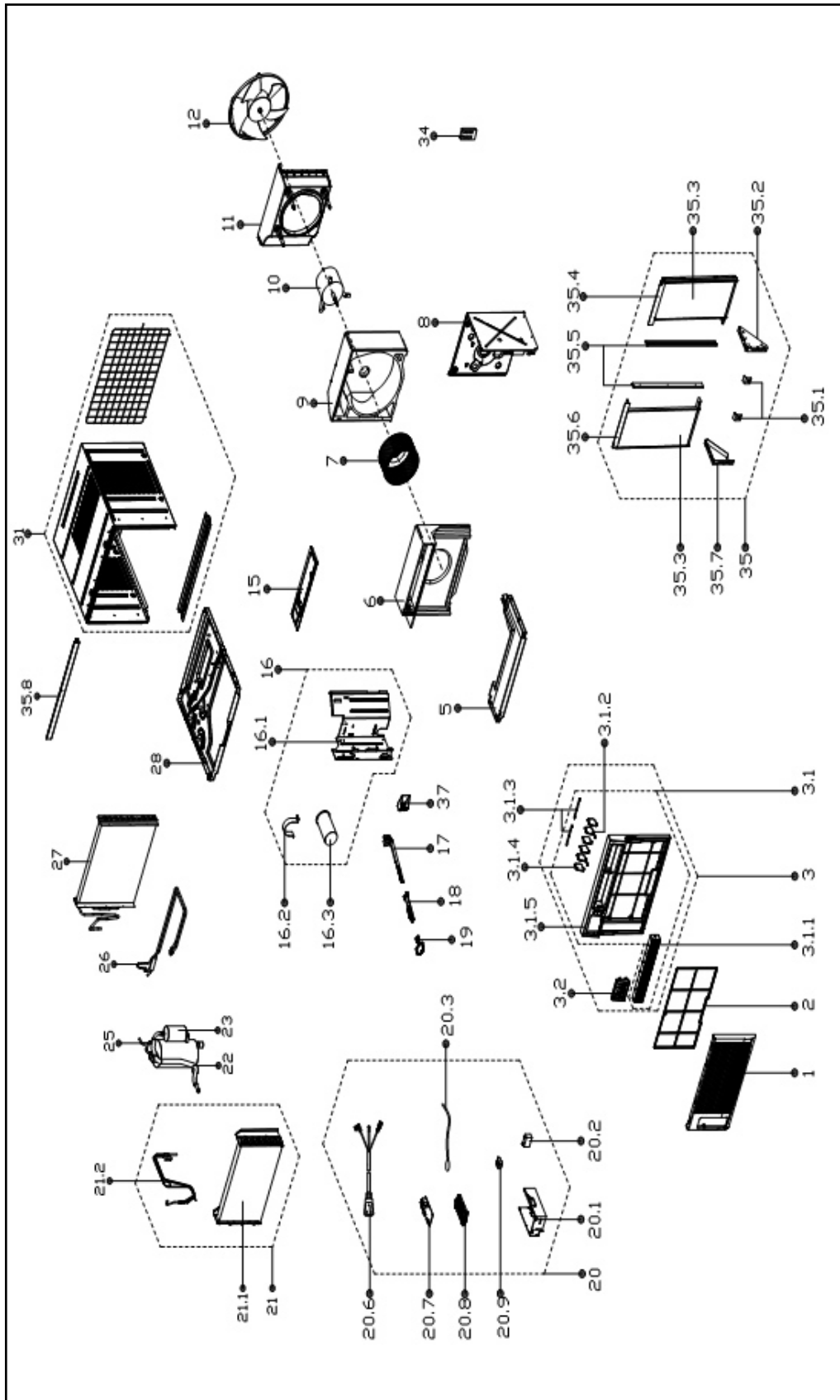


HEAT CONTROLLER

**REPLACEMENT
PARTS LIST**

**Room Air Conditioner with R-410A:
RADS-183L**

EXPLODED VIEW



REPLACEMENT PARTS

Location	Part Name	Quantity	Part No.
1	Front panel	1	2011219A0375
2	Air filter	1	2011219A0840
3	Panel frame assembly	1	2011218A0155
3.1	Panel frame	1	201121990124
3.1.1	Air outlet assembly	1	201121990043
3.1.2	Horizontal louver	2	201121990044
3.1.3	Connecting rod of louver	2	201121990046
3.1.4	Horizontal louver	4	201121990045
3.1.5	Panel frame	1	201121990042
3.2	Display box assembly	1	203321890139
5	Condenser water tray	1	202221990002
6	Upper volute shell	1	202221990031
7	Centrifugal fan	1	201100120004
8	Front right barrier	1	201221990190
9	Rear volute shell assembly	1	202221990030
10	Asynchronous motor	1	202400401567
11	Rear separating	1	201121990298
12	Axial flow fan	1	201100320005
15	Front cover	1	201221990189
16	Front left barrier	1	203321990309
16.1	Front left barrier	1	201221990187
16.2	Capacitor of compressor	1	202401000074
16.3	Capacitor clip	1	201200100002
17	Fresh air door	1	201121990296
18	Bracket of fresh air door	1	201121990295
19	Connecting rod of fresh air door	1	201121990297
20	Electronic control box assembly	1	203321990319
20.1	Electronic control box	1	201221990185
20.2	transformer	1	202300900140
20.3	Pipe temperature sensor assembly	1	202301300077
20.6	Power cord	1	202419990024
20.7	Main control board assembly	1	201321990281
20.8	Bracket of main control board	1	201121890173
20.9	Capacitor of fan motor	1	202401100967
21	Evaporator coil assembly	1	201521990167
21.1	Evaporator coil	1	201521990168
21.2	Capillary assembly	1	201621990836
22	Suction pipe assembly	1	201621990833
23	Compressor	1	201400611174
25	Discharge pipe assembly	1	201621990834
26	Super-cooling pipe	1	201621990819
27	Condenser assembly	1	201521990169
28	Chassis assembly	1	201221990128
31	Cabinet assembly	1	201221890081
34	Remote controller	1	2033550A3128
35	Installation accessory	1	202821990050
35.1	Locking bar	2	201222190008
35.2	Right bracket	1	201221890083
35.3	Shutter	2	201121990022
35.4	Right shutter frame	1	201121990021
35.5	Connecting bar of cabinet	2	201121990285
35.6	Left shutter frame	1	201121990020
35.7	Left supporter	1	201221890082
35.8	Top shutter frame	1	201221990016
37	Bracket of fresh air door	1	201121890102
	Display label		2020213A0795
	Carton		2026219A0937

Due to ongoing product improvements, specifications and dimensions are subject to change and correction without notice or incurring obligations. Determining the application and suitability for use of any product is the responsibility of the installer. Additionally, the installer is responsible for verifying dimensional data on the actual product prior to beginning any installation preparations.

Incentive and rebate programs have precise requirements as to product performance and certification. All products meet applicable regulations in effect on date of manufacture; however, certifications are not necessarily granted for the life of a product. Therefore, it is the responsibility of the applicant to determine whether a specific model qualifies for these incentive/rebate programs.

HEAT CONTROLLER

1900 Wellworth Ave., Jackson MI 49203 • Ph. 517-787-2100 • www.heatcontroller.com

A  Company