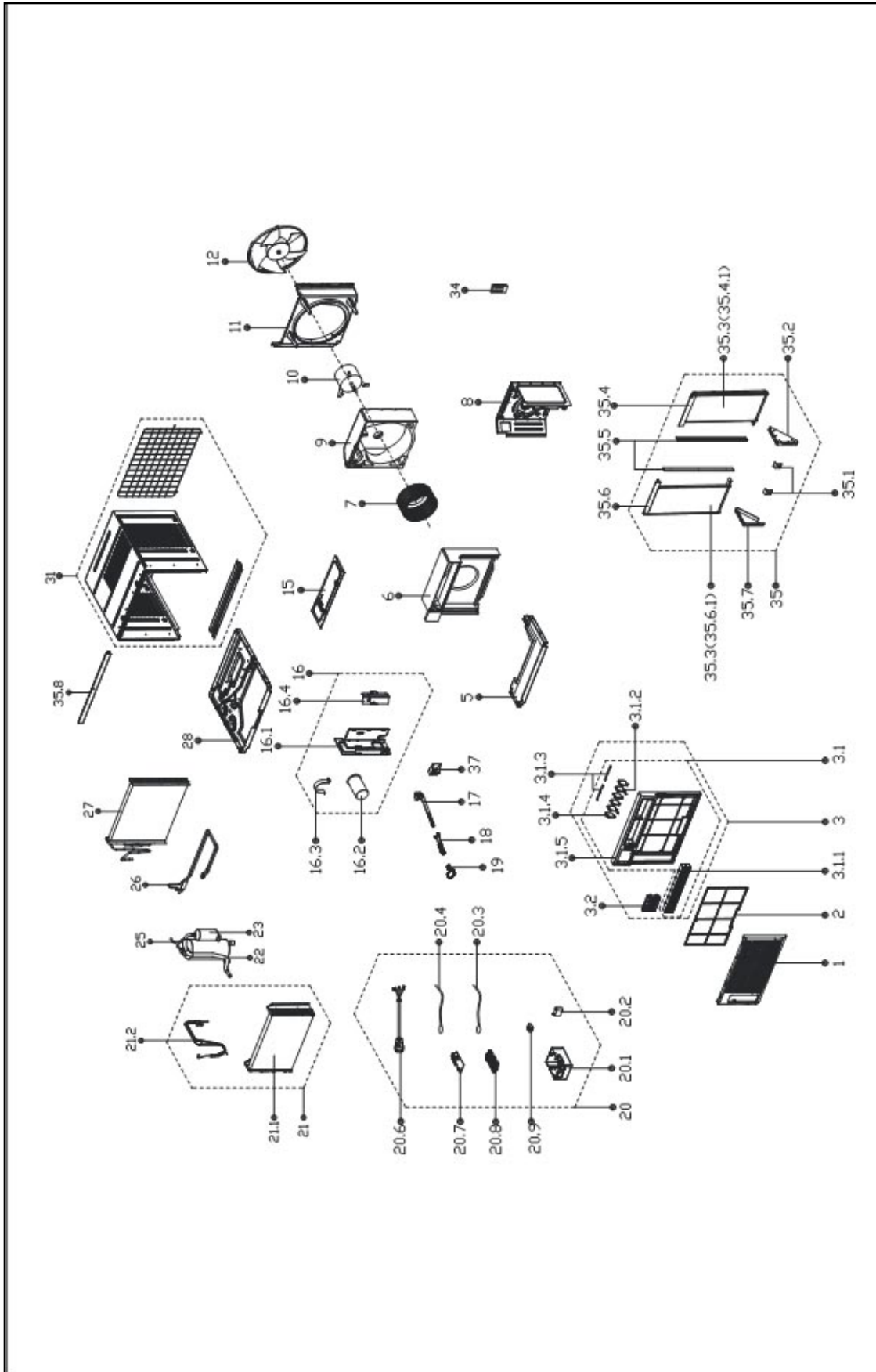




PARTS LIST

Room Air Conditioner with R-410A: RADS-183P

EXPLODED VIEW



REPLACEMENT PARTS

Location	Part Name	Quantity	Part No.
1	Front panel	1	12120300A06584
2	Air filter	1	12100204A00305
3	Panel frame assembly	1	12120300A07116
3.1	Panel frame	1	12120300A06580
3.1.5	Panel frame	1	12120300A06620
3.2	Display box assembly	1	17220300A04783
5	Condenser water tray	1	12820300000025
6	Upper volute shell	1	12820300000136
7	Centrifugal fan	1	12100103000010
8	Front right barrier	1	12220300000575
9	Rear volute shell assembly	1	12820300000033
10	Asynchronous motor	1	11002012010342
11	Rear separating	1	12120300000561
12	Axial flow fan	1	12100105000076
15	Front cover	1	12220300000524
16	Front left barrier	1	12220300001718
16.1	Front left barrier	1	12220300001114
16.2	Capacitor of compressor	1	17400103000010
16.3	Capacitor clip	1	12200203000017
16.4	Capacitor box	1	12220300000459
17	Fresh air door	1	12120300002825
18	Bracket of fresh air door	1	12120300001286
19	Connecting rod of fresh air door	1	12120300002933
20	Electronic control box assembly	1	17220300001550
20.1	Electronic control box	1	12220300000505
20.2	Capacitor of fan motor	1	17400101000076
20.3	Pipe temperature sensor assembly	1	11201007000126
20.4	Ambient temperature sensor assembly	1	11201007000088
20.6	Power cord	1	17401202000297
20.7	Main control board assembly	1	17120300000549
20.8	Bracket of main control board	1	12120300000521
20.9	transformer	1	11203103000249
21	Evaporator coil assembly	1	15820300000061
21.1	Evaporator coil	1	15820300000419
21.2	Capillary assembly	1	15120300001223
22	Suction pipe assembly	1	15120300001340
23	Compressor	1	11103010002969
25	Discharge pipe assembly	1	15120300001056
26	Super-cooling pipe	1	15120300001137
27	Condenser assembly	1	15820300000561
28	Chassis assembly	1	12220300000419
31	Cabinet assembly	1	12220300000837
34	Remote controller	1	17317000A06156
35	Installation accessory	1	12020300000348
35.1	Locking bar	2	12220300000536
35.2	Right bracket	1	12220300000927
35.4	Right shutter frame	1	12120300003225
35.5	Connecting bar of cabinet	2	12120300003107
35.6	Left shutter frame	1	12120300003224
35.7	Left supporter	1	12220300000933
35.8	Top shutter frame	1	12220300000896
37	Bracket of fresh air door	1	12120300001264

Due to ongoing product improvements, specifications and dimensions are subject to change and correction without notice or incurring obligations. Determining the application and suitability for use of any product is the responsibility of the installer. Additionally, the installer is responsible for verifying dimensional data on the actual product prior to beginning any installation preparations.

Incentive and rebate programs have precise requirements as to product performance and certification. All products meet applicable regulations in effect on date of manufacture; however, certifications are not necessarily granted for the life of a product. Therefore, it is the responsibility of the applicant to determine whether a specific model qualifies for these incentive/rebate programs.

Comfort-Aire®

1900 Wellworth Ave., Jackson MI 49203 • Ph. 517-787-2100 • www.comfort-aire.com



www.marsdelivers.com • www.heatcontroller.com