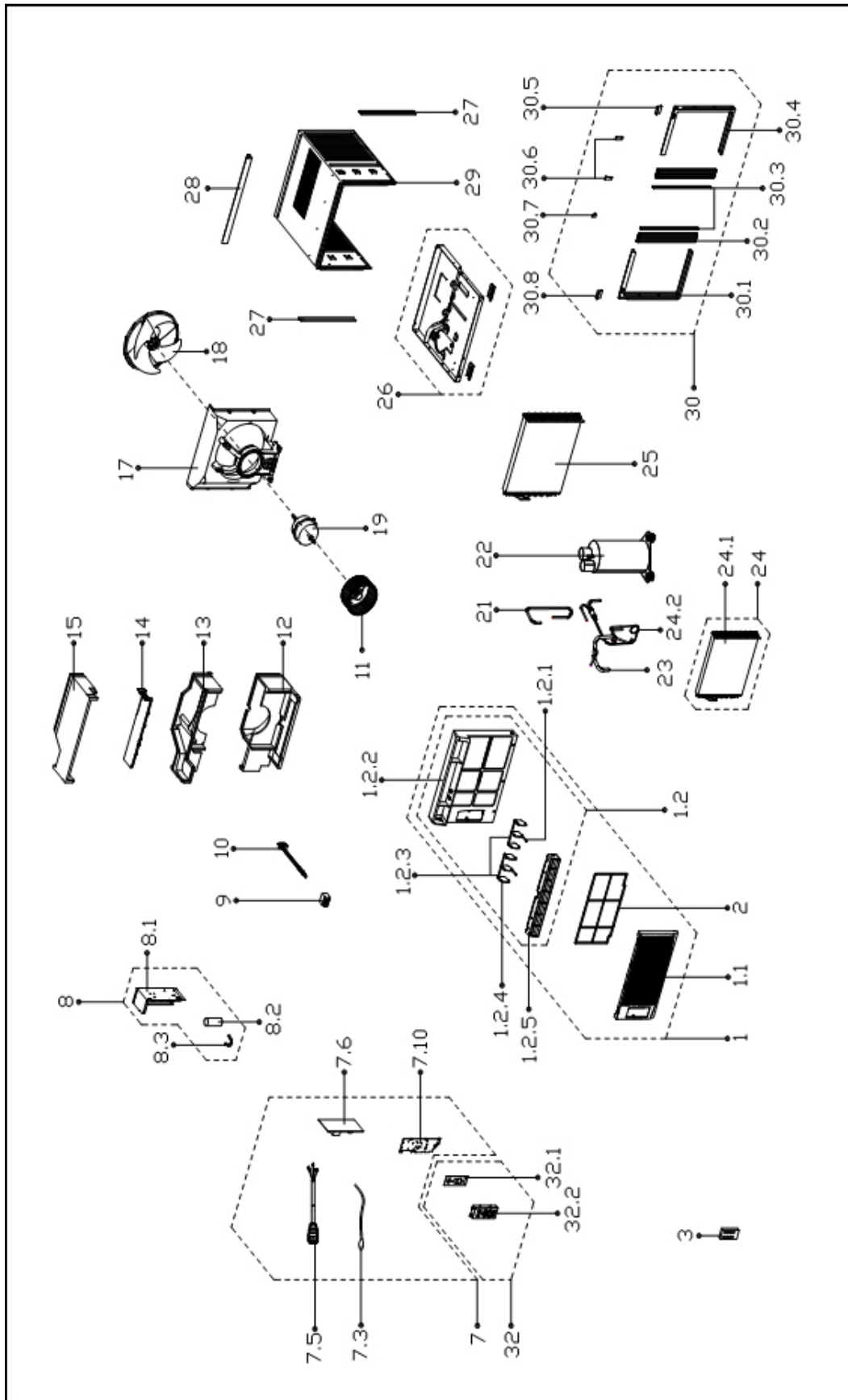


HEAT CONTROLLER

**REPLACEMENT
PARTS LIST**

**Room Air Conditioner with R-410A:
RAD-121L**

EXPLODED VIEW



REPLACEMENT PARTS

Location	Part Name	Quantity	Part No.
1	Panel assembly	1	2011217A0582
1.1	Front panel	1	201121790369
1.2	Panel frame	1	201121790355
1.2.1	Horizontal louver	2	201121790037
1.2.2	Panel frame	1	201121790370
1.2.3	Connecting rod of louver	2	201121790040
1.2.4	Horizontal louver	4	201121790036
1.2.5	Horizontal louver	1	201121790371
2	Air filter	1	201120490141
3	Remote controller	1	2033550A3128
7	Electronic control box assembly	1	203321590172
7.3	Ambient temperature sensor assembly	1	202433190000
7.5	Power cord	1	202402290003
7.6	Main control board assembly	1	201321590080
7.10	Cover of electronic control box	1	201221590097
8	Electronic control box assembly	1	203321790206
8.1	Electronic control box	1	201221790282
8.2	Capacitor of compressor	1	202401400029
8.3	Capacitor clip	1	201200100002
9	Bracket of fresh air door	1	201120490140
10	Fresh air door	1	201121790033
11	Centrifugal fan	1	201100100063
12	Volute shell (below)	1	202221790023
13	Mid volute shell	1	202221790022
14	Wind baffle board	1	201121790328
15	Volute shell (above)	1	202221790025
17	Rear separating	1	201121790362
18	Axial flow fan	1	201100300031
19	Asynchronous motor	1	202400401579
21	Suction pipe	1	201621590421
22	compressor	1	201400601090
23	Discharge pipe assembly	1	201621791234
24	Evaporator coil assembly	1	201521590116
24.1	Evaporator	1	201521790266
24.2	Capillary assembly	1	201621590416
25	Condenser assembly	1	201521790217
26	Chassis assembly	1	201221790291
27	Connecting bar of cabinet	2	201120490093
28	Top shutter frame	1	201221790193
29	Cabinet	1	201221790201
30	Installation accessory	1	202820490504
30.1	Left shutter frame	1	201120490086
30.2	Shutter	2	201120490089
30.3	Locking bar of shutter	2	201120490088
30.4	Right shutter frame	1	201120490087
30.5	Bracket for Right shutter frame	1	201220490075
30.6	Clamp of Shutter	2	201220390002
30.7	Installation plate	1	201220190043
30.8	Bracket for Left shutter frame	1	201220490074
32	Display box assembly	1	2033211A0065
32.1	Display board assembly	1	201321190049
32.2	Control panel	1	201121790041
	Display Label		2020217A2004
	Carton		2026217A1691

Due to ongoing product improvements, specifications and dimensions are subject to change and correction without notice or incurring obligations. Determining the application and suitability for use of any product is the responsibility of the installer. Additionally, the installer is responsible for verifying dimensional data on the actual product prior to beginning any installation preparations.

Incentive and rebate programs have precise requirements as to product performance and certification. All products meet applicable regulations in effect on date of manufacture; however, certifications are not necessarily granted for the life of a product. Therefore, it is the responsibility of the applicant to determine whether a specific model qualifies for these incentive/rebate programs.

HEAT CONTROLLER

1900 Wellworth Ave., Jackson MI 49203 • Ph. 517-787-2100 • www.heatcontroller.com

A  Company