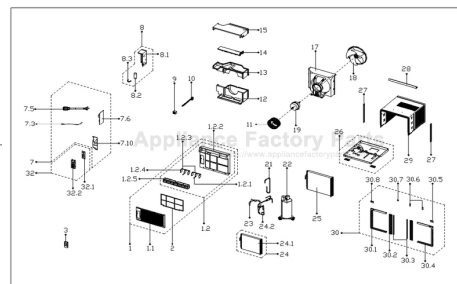


This Owner's Manual is provided and hosted by Appliance Factory Parts.



COMFORT-AIRE RADS-121M Owner's Manual

[Shop genuine replacement parts for COMFORT-AIRE
RADS-121M](#)



EXPLODED VIEW
From Air Conditioner with Parts
1/1/2010

[Find Your COMFORT-AIRE Air Conditioner Parts - Select From 599 Models](#)

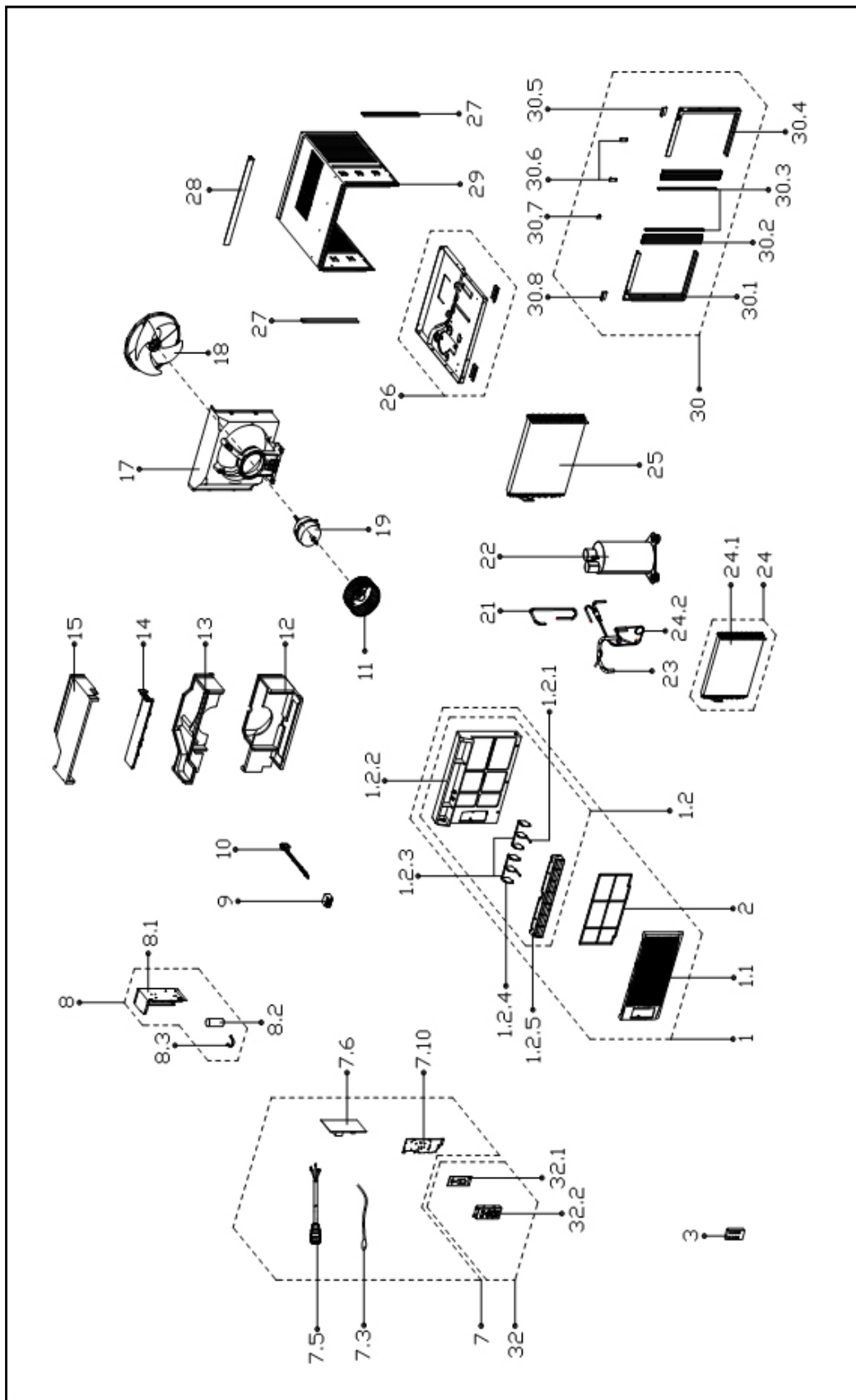
----- Manual continues below -----

HEAT CONTROLLER

**REPLACEMENT
PARTS LIST**

**Room Air Conditioner with R-410A:
RADS-121M**

EXPLODED VIEW



REPLACEMENT PARTS

Location	Part Name	Quantity	Part No.
1	Panel assembly	1.0	12120300A01466
1.1	Panel	1.0	12120300A00706
1.2	Panel frame	1.0	12120300A00774
1.3	Transverse Louver	2.0	12120300000962
1.5	Louver Holder	2.0	12120300000973
1.5	Transverse Louver	4.0	12120300000960
1.6	Air Out Frame	1.0	12120300A00607
1.7	Filter	1.0	12100204A00044
3	Remote controller	1.0	17317000A03529
7	E-Parts Box Subassembly of Upper Air-out Window Series	1.0	17220300000649
7.3	Room Temperature Sensor	1.0	11201007000088
7.5	Power Supply Cable Subassembly	1.0	17401202000109
7.6	Main Control Board Subassembly(Sticker)	1.0	17120300000570
7.10	Electrical Control Box Cover	1.0	12220300000494
8	E-Parts Box Subassembly	1.0	17220300000260
8.1	Structure Subassembly of Electrical Control Box	1.0	12220300000508
8.2	Dual Capacitor	1.0	17400104000023
8.3	Capacitor Clamp	1.0	12200203000011
9	Pocket of vent door	1.0	12120300001268
10	Vent door	1.0	12120300001275
11	Centrifugal Fan	1.0	12100103000052
12	Lower Air Duct Foam	1.0	12820300000112
13	Foam of middle air channel	1.0	12820300000128
14	Air duct plate	1.0	12120300000523
15	Upper Air Duct Foam	1.0	12820300000098
17	Rear barrier Subassembly	1.0	12120300000569
18	Axial fan	1.0	12100105000032
19	Single-phase Asynchronous Motor	1.0	11002012004554
21	Parts of compressor return pipe	1.0	15120300001308
22	Fixed speed rotary compressor	1.0	11103010000581
23	Parts of compressor exhaust pipe	1.0	15120300000971
24	Evaporator assembly Gas valve assembly	1.0	15820300000115
24.1	Evaporator	1.0	15820300000441
24.2	Capillary Assembly	1.0	15120300001155
25	Condenser Assembly	1.0	15820300000626
26	Chassis Assembly	1.0	12220300000425
27	Connection Bar on Case	2.0	12120300001346
28	Upper Shutter Frame	1.0	12220300000891
29	Floor	1.0	12220300000835
30	Installing Accessories	1.0	12020300000037
30.1	Left frame strip	1.0	12120300001390
30.2	Shutter	2.0	12120300001329
30.3	Wnap strip	2.0	12120300001307
30.4	Right shutter frame	1.0	12120300001368
30.5	Holder of Right Frame Strip	1.0	12220300000923
30.6	Shutter Clamp	2.0	12220300000878
30.7	Installing L Plate	1.0	12220300000863
30.8	Support of left frame strip	1.0	12220300000935
32	Structure Subassembly of Display Box	1.0	17220300A00389
32.1	VLED Display Module	1.0	17120300000076
32.2	Control board	1.0	12120300A00552
	Display board	1	16020300A00144

Due to ongoing product improvements, specifications and dimensions are subject to change and correction without notice or incurring obligations. Determining the application and suitability for use of any product is the responsibility of the installer. Additionally, the installer is responsible for verifying dimensional data on the actual product prior to beginning any installation preparations.

Incentive and rebate programs have precise requirements as to product performance and certification. All products meet applicable regulations in effect on date of manufacture; however, certifications are not necessarily granted for the life of a product. Therefore, it is the responsibility of the applicant to determine whether a specific model qualifies for these incentive/rebate programs.

HEAT CONTROLLER

1900 Wellworth Ave., Jackson MI 49203 • Ph. 517-787-2100 • www.heatcontroller.com

A  Company