

This Owner's Manual is provided and hosted by [Appliance Factory Parts](#).



COMFORT-AIRE BG-81L Owner's Manual

[Shop genuine replacement parts for COMFORT-AIRE
BG-81L](#)



[Find Your COMFORT-AIRE Air Conditioner Parts - Select From 599 Models](#)

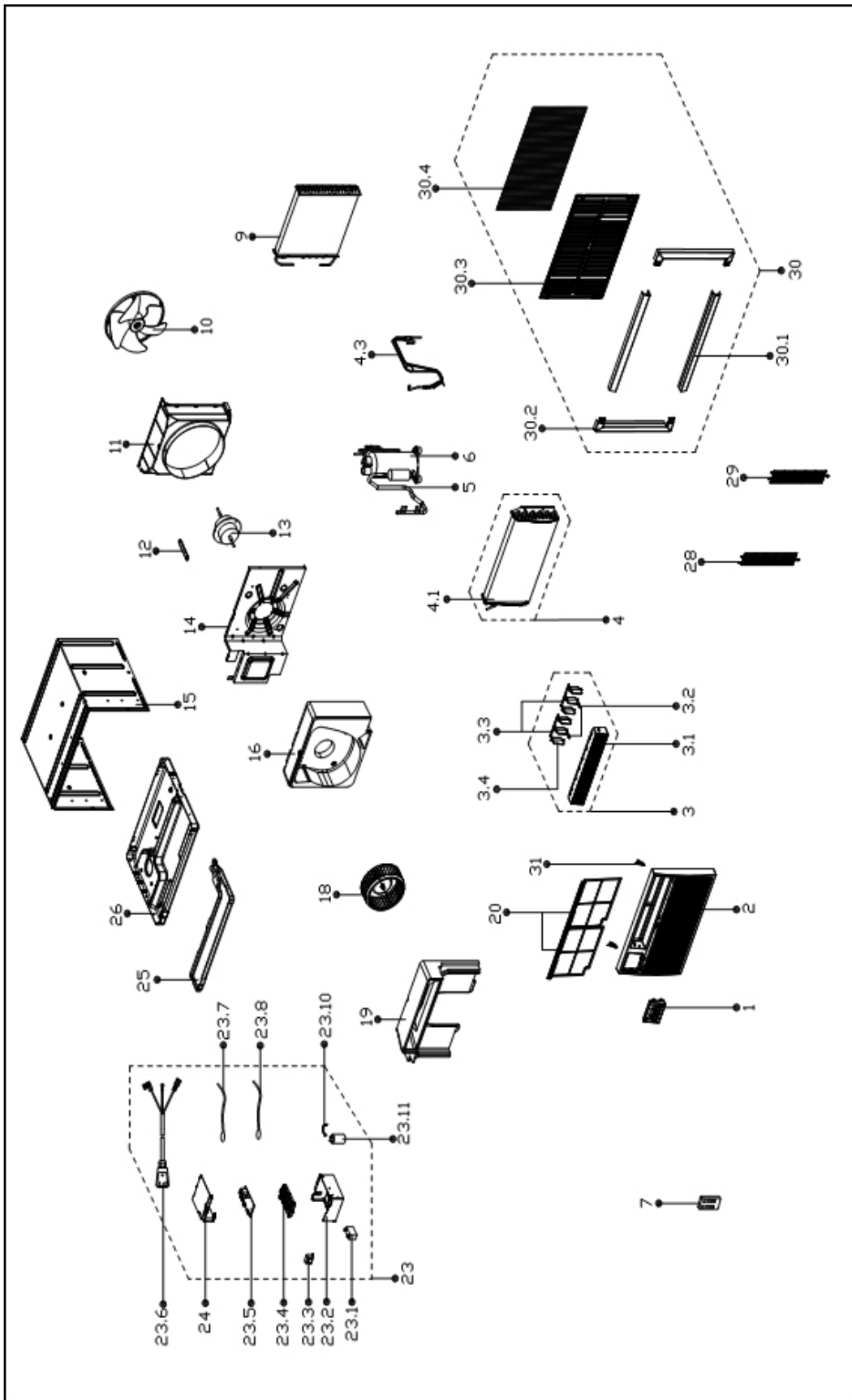
----- Manual continues below -----

HEAT CONTROLLER

**REPLACEMENT
PARTS LIST**

**Room Air Conditioner with R-410A:
BG-81L**

EXPLODED VIEW



REPLACEMENT PARTS

Location	Part Name	Quantity	Part No.
1	Display box assembly	1	2033218A0319
2	Front panel	1	201121890037
3	Air outlet assembly	1	201121890031
3.1	Air outlet assembly	1	201121890024
3.2	Horizontal louver	2	201121890025
3.3	Connecting rod of louver	2	201121890027
3.4	Horizontal louver	4	201121890026
4	Evaporator coil assembly	1	201521390145
4.1	Evaporator	1	201521590057
4.3	Capillary assembly	1	201621390198
5	Discharge pipe assembly	1	201621390481
6	Compressor	1	201400603506
7	Remote controller	1	2033550A3128
9	Condenser assembly	1	201521590076
10	Axial flow fan	1	201100300022
11	Rear separating	1	201121390139
12	Linker for front separating board	1	201221890034
13	Asynchronous motor	1	202400400951
14	Front separating board	1	201221890033
15	Cabinet	1	201221390086
16	Rear volute shell	1	202221390003
18	Centrifugal fan	1	201100100028
19	Front volute shell	1	202221890013
20	Air filter	1	201121890036
23	Electronic control box assembly	1	203321390200
23.1	Capacitor of fan motor	1	202401100989
23.2	Electronic control box	1	201221890057
23.3	Transformer	1	202300900139
23.4	Bracket of main control board	1	201121890173
23.5	Main control board assembly	1	201321390137
23.6	Power cord	1	202402260126
23.7	Pipe temperature sensor assembly	1	202301300077
23.8	Ambient temperature sensor assembly	1	202301300210
23.10	Capacitor clip	1	201225590048
23.11	Capacitor of compressor	1	202401090021
24	Cover of electronic control box	1	201221890058
25	Condenser water tray	1	202221890010
26	Chassis assembly	1	201221890062
28	Grille	1	201221390106
29	Grille	1	201221890078
30	Installation accessory	1	202821590016
30.1	Up and down shutter frame	2	201121890007
30.2	Left and right shutter frame	2	201121890008
30.3	Rear grille	1	202921890002
30.4	Plastic net	1	201121890009
31	Filter guide	2	201121890003
	Carton	1	2026213A0464
	Display label	1	2020213A1732

Due to ongoing product improvements, specifications and dimensions are subject to change and correction without notice or incurring obligations. Determining the application and suitability for use of any product is the responsibility of the installer. Additionally, the installer is responsible for verifying dimensional data on the actual product prior to beginning any installation preparations.

Incentive and rebate programs have precise requirements as to product performance and certification. All products meet applicable regulations in effect on date of manufacture; however, certifications are not necessarily granted for the life of a product. Therefore, it is the responsibility of the applicant to determine whether a specific model qualifies for these incentive/rebate programs.

HEAT CONTROLLER

1900 Wellworth Ave., Jackson MI 49203 • Ph. 517-787-2100 • www.heatcontroller.com

A  Company