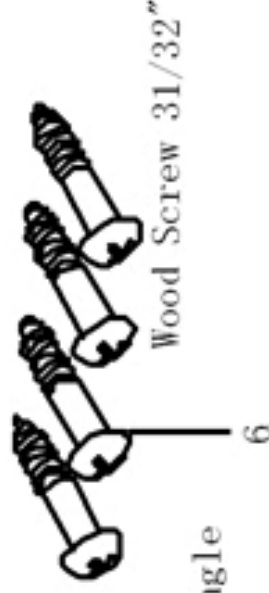
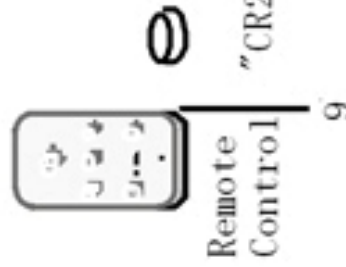
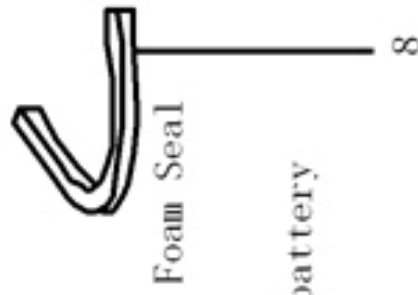
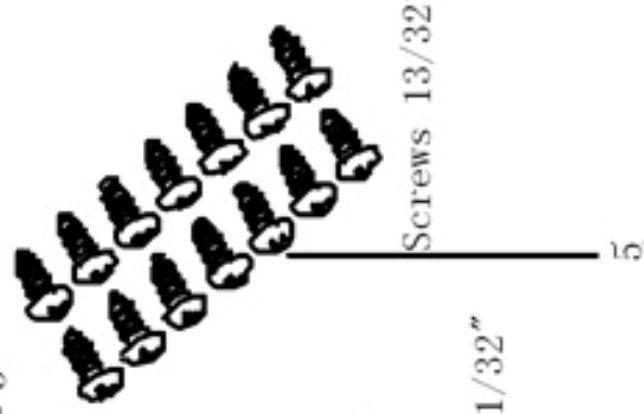
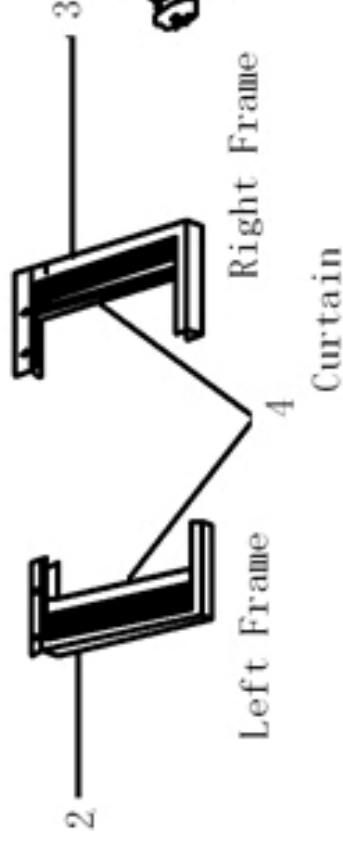


HEAT CONTROLLER, INC.

REPLACEMENT
PARTS

RG-61A
Room Air Conditioner

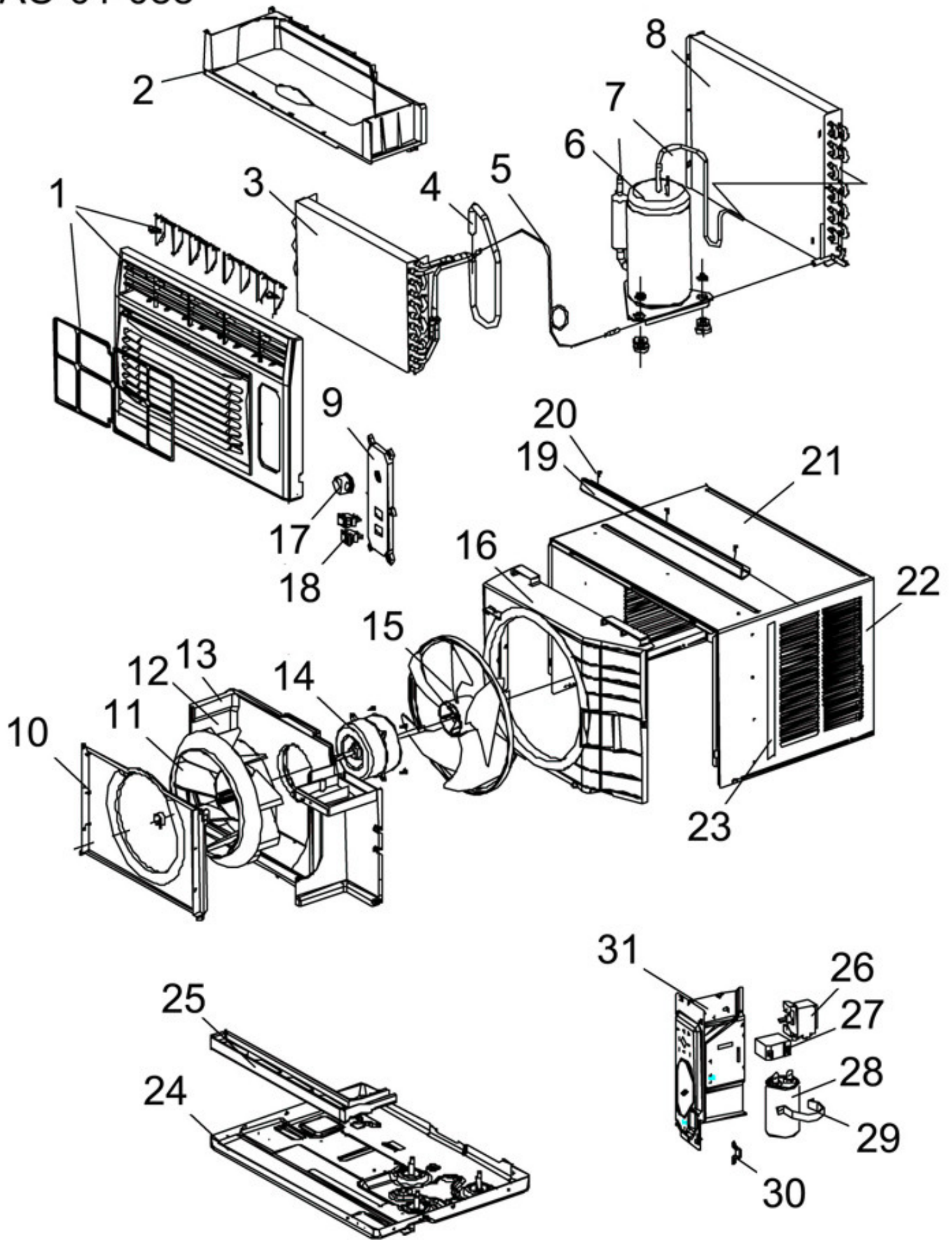
AC-01-088a



RG-61A

FIGURE NO.	PART NO.	NAME	DESCRIPTION
1	AC-3300-14	GUIDE	
2	AC-2950-39	FRAME	ACCORDIAN SCREEN [L]
3	AC-2950-40	FRAME	ACCORDIAN SCREEN [R]
4	AC-6100-40	SCREEN	ACCORDIAN
5	AC-6150-12	SCREW	
6	AC-6150-15	SCREW	25mm WOOD
7	AC-0840-12	BRACE	ANGLE
8	AC-3100-44	GASKET	
9	AC-5620-30	REMOTE	

AC-01-088



RG-61A

FIGURE NO.	PART NO.	NAME	DESCRIPTION
1	AC-5200-256	PANEL	FRONT
2	AC-1950-38	COVER	EVAPORATOR
3	AC-2650-23	EVAPORATOR	ASSY (SENLIN)
4	AC-5255-120	PIPE	SUCTION ASSY
5	AC-5255-91	PIPE	CAPILLIARY (SENLIN)
6	AC-1750-49	COMPRESSOR	
7	AC-5255-89	PIPE	VENT (LG & RECHI)
8	AC-1800-23	CONDENSER	ASSY (LG)
9	AC-5200-269	PANEL	INDICATOR
10	AC-5300-31	PLATE	CONDUIT
11	AC-2750-18	FAN	BLOWER WHEEL
12	AC-1470-10	CASE	BLOWER SCROLL
13	AC-5100-15	PAD	
14	AC-4550-148	MOTOR	
15	AC-2750-19	FAN	AXIAL CONDENSER
16	AC-6500-05	SHROUD	CONDENSER
17	AC-4000-25	KNOB	TOP
18	AC-7100-35	SWITCH	
19	AC-3300-14	GUIDE	
20	AC-6150-12	SCREW	
21	AC-5100-12	PAD	UPPER
22	AC-1300-11	CABINET	
23	AC-5100-14	PAD	SIDE
24	AC-5300-35	PLATE	BOTTOM (SENLIN)
25	AC-5150-12	PAN	DRAIN
26	AC-7350-15	THERMOSTAT	
27	AC-1400-25	CAPACITOR	FAN
28	AC-1400-03	CAPACITOR	COMPRESSOR (35uf/250v)
29	AC-1650-17	CLIP	CAPACITOR
30	AC-1650-45	CLIP	POWER CORD
31	AC-0800-96	BOX	ELECTRICAL

Note: Unit power cord (not shown) #AC-1302-26

**Design, material, performance data and components
subject to change without notice.1**

HEAT CONTROLLER, INC.

1900 Wellworth Ave., Jackson, Michigan 49203 • Ph. 517-787-2100 • Fax 517-787-9341

THE QUALITY LEADER IN CONDITIONING AIR

www.heatcontroller.com