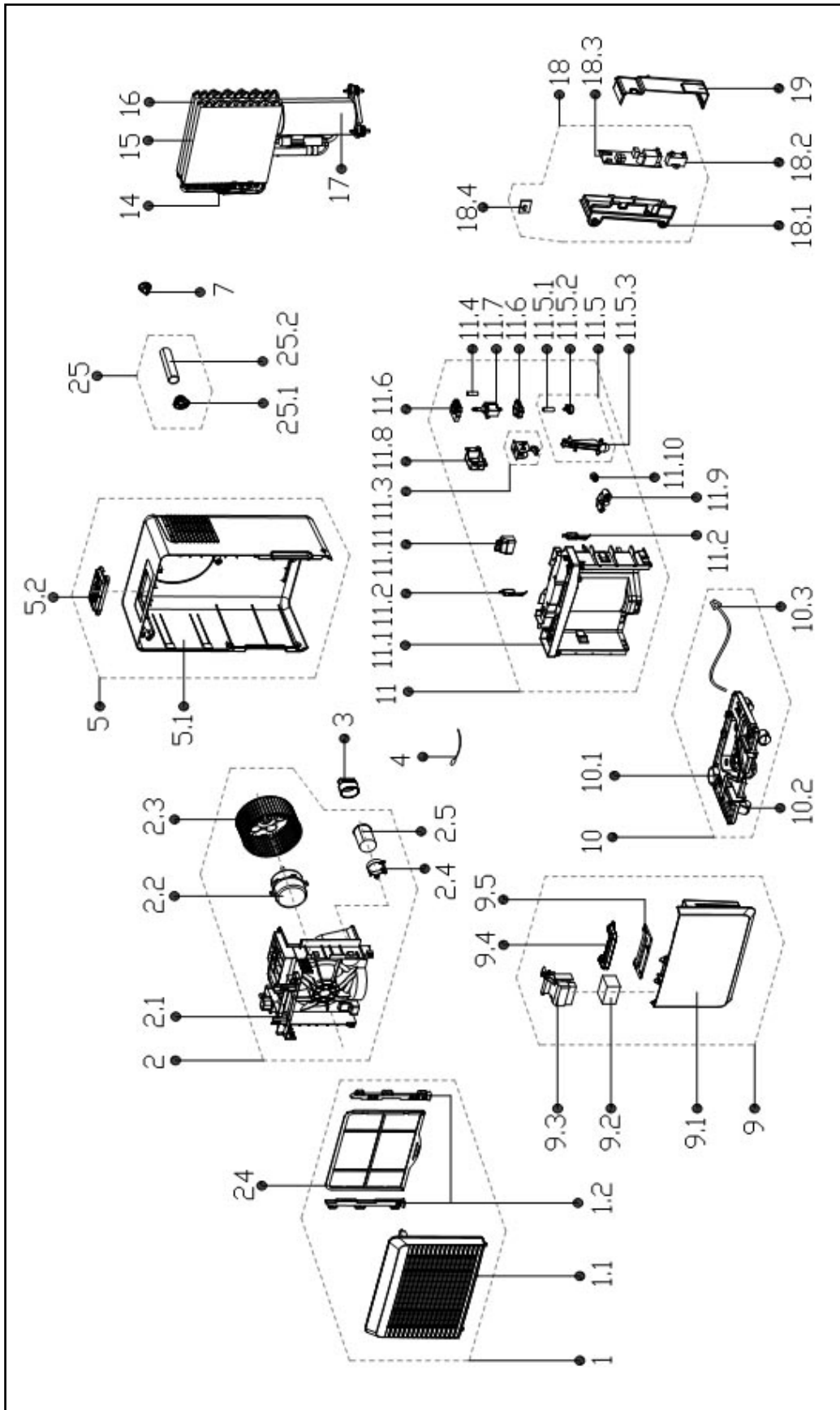




Portable Dehumidifier:

BHDP-501H

EXPLODED VIEW



REPLACEMENT PARTS

Location	Part Name	Quantity	Part No.
1	Front panel assembly	1	2011267A0189
1.1	Front panel	1	2011267A0190
1.2	Filter guide	2	201126690108
2	Volute shell assembly	1	201126690241
2.1	Volute Shell	1	201126790269
2.2	Asynchronous motor	1	202400401604
2.3	Centrifugal fan	1	201100100064
2.4	Capacitor clip	1	201226590010
2.5	Capacitor of compressor	1	202401000511
3	Capacitor box	1	202726290018
4	Pipe temperature sensor assembly	1	202301310076
5	Rear panel assembly	1	201126790277
5.1	Rear panel	1	201126790340
5.2	Display box assembly	1	203326790041
7	Plug	1	202726590142
9	Water tank assembly	1	2011267A0369
9.1	Water tank	1	2011267A0192
9.2	Dobber	1	202226790001
9.3	Dobber	1	201126790161
9.4	Handle of water tank	1	201126590162
9.5	Water tank cover	1	201126790267
10	Chassis assembly	1	201126690199
10.1	Chassis	1	201126790268
10.2	Universal wheel	4	202726790001
10.3	Power cord	1	202402260186
11	Partition board assembly	1	201126790327
11.1	Separating board	1	201126790328
11.2	Micro switch	1	202301800108
11.2	Micro switch	1	202301801013
11.3	Installation plate assembly	1	201126790329
11.4	Rubber pipe of water pump	1	202726790013
11.5	Rubber pipe assembly of water pump	1	202726790014
11.5.1	Rubber pipe of water pump	1	202726490016
11.5.2	Drain connector	1	201125690016
11.5.3	Installation plate	1	201126790332
11.6	Waterproof rubber	1	202725490018
11.6	Waterproof rubber	1	202725490028
11.7	Water pump	1	202400600007
11.8	Installation box of water pump	1	201126790243
11.9	Drain connector of water pump	1	201126790241
11.10	Quick connecting pipe	1	201126790247
11.11	Protect cover	1	201126790335
14	Capillary assembly	1	201626790082
15	Condenser assembly	1	201526690064
16	Evaporator coil assembly	1	201526690065
17	Compressor	1	201402200440
18	Electronic control box assembly	1	203326790322
18.1	Electronic control box	1	201126690105
18.2	Capacitor of fan motor	1	202401100977
18.3	Main control board assembly	1	201326790051
18.4	Humidity sensor assembly	1	201326590058
19	Cover of electronic control box	1	201126690102
24	Air filter	1	201126790275
25	Drain connector	1	201126590576
25.1	Drain connector	1	201126590000
25.2	Drain pipe	1	201126790266
	Carton	1	202600701959
	Display label	1	202026790154

Due to ongoing product improvements, specifications and dimensions are subject to change and correction without notice or incurring obligations. Determining the application and suitability for use of any product is the responsibility of the installer. Additionally, the installer is responsible for verifying dimensional data on the actual product prior to beginning any installation preparations.

Incentive and rebate programs have precise requirements as to product performance and certification. All products meet applicable regulations in effect on date of manufacture; however, certifications are not necessarily granted for the life of a product. Therefore, it is the responsibility of the applicant to determine whether a specific model qualifies for these incentive/rebate programs.

Comfort-Aire®

1900 Wellworth Ave., Jackson MI 49203 • Ph. 517-787-2100 • www.comfort-aire.com



www.marsdelivers.com • www.heatcontroller.com