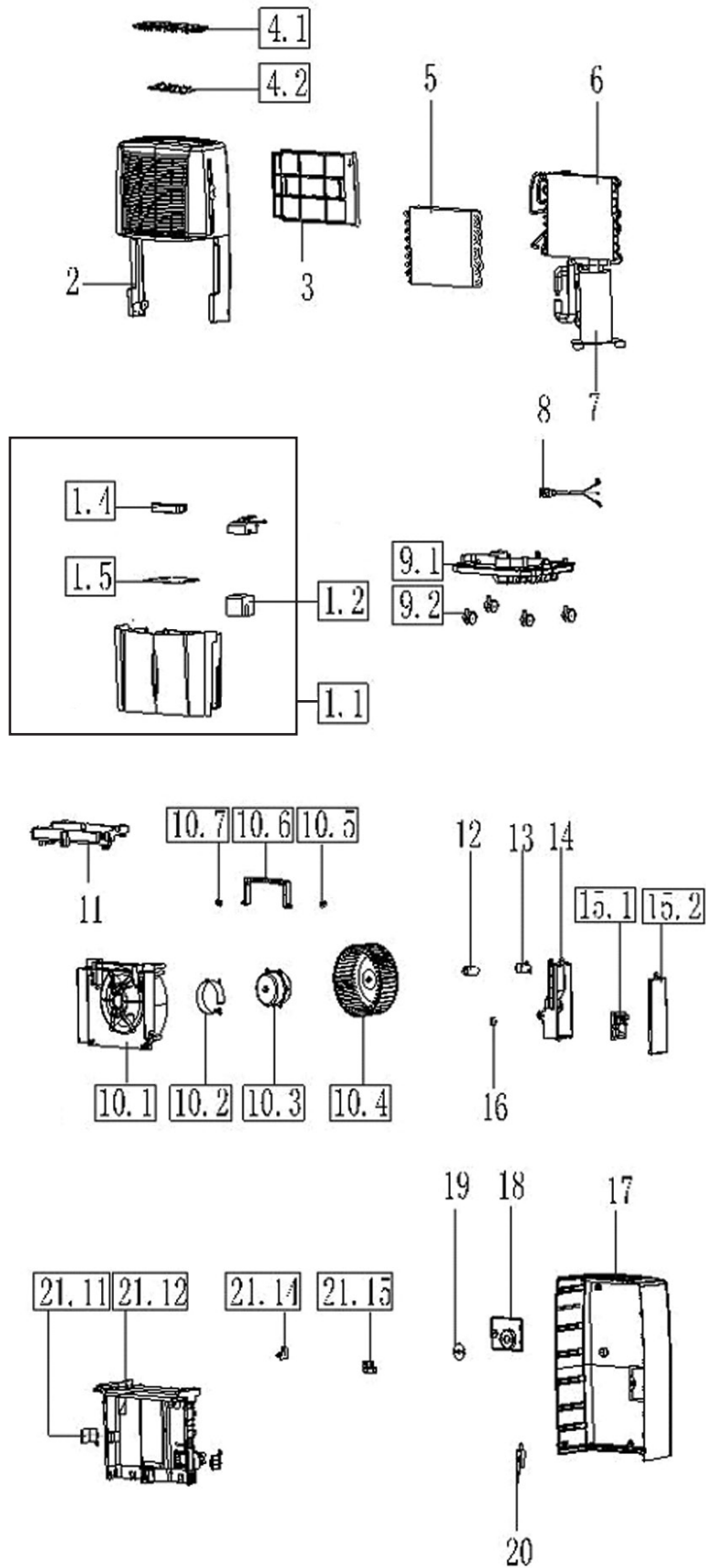


HEAT CONTROLLER, INC.

REPLACEMENT PARTS LIST

**Portable Dehumidifier with R-410A:
BHD-301-G**

EXPLODED VIEW



REPLACEMENT PARTS

Location	Part Name	Quantity	Part No.
1.1	Water tank, assembly	1	201126490040
1.2	Dobber	1	202226490001
1.3	Dobber case (incl. w/# 1.1)	1	
1.4	Water tank cover	1	201126490039
1.5	Handle for water tank	1	201126190071
2	Front panel	1	201126490036
3	Filter	1	201126490034
4.1	Control panel	1	201126490070
4.2	Display board assembly	1	201326590039
5	Evaporator	1	201526490049
6	Condenser	1	201526490047
7	Compressor	1	201402000400
8	Power cord	1	202402260025
9.1	Chassis assembly	1	201126490030
9.2	Universal wheel	4	202726690001
10.1	Scroll	1	201126490072
10.2	Motor cover	1	201226490007
10.3	Fan motor	1	202400400910
10.4	Centrifugal fan	1	201100120009
10.5	Fixed board,handle	1	201126190081
10.6	Handle	1	201126490009
10.7	Fixed board, handle	1	201126190080
11	Display box	1	201126490031
12	Compressor capacitor	1	202401000210
13	Compressor capacitor cover	1	201226190040
14	E-part box	1	201126490051
15.1	Main control board assembly	1	201326590037
15.2	E-part box cover	1	201126490041
16	Capacitor	1	202401100122
17	Rear panel	1	201126490035
18	Rear cover	1	201126490033
19	Fixing joint for water drain1	1	201126590000
20	Micro switch	1	202301830104
21.11	Seperating board	2	201126490028
21.12	Base pan holder	1	201126490025
21.14	Left seperating board for evaporator	1	201126490026
21.15	Right seperating board for evaporator	1	201126490027

Parts not shown in exploded view:

Drain Adapter #201126590000

Drain Hose #201126590176

Drain Adapter Screws #BHD-G-SCREWS

Design, specifications, performance data and materials subject to change without notice.

HEAT CONTROLLER, INC.

1900 Wellworth Ave., Jackson, Michigan 49203 • Ph. 517-787-2100 • Fax 517-787-9341

www.heatcontroller.com

THE QUALITY LEADER IN CONDITIONING AIR