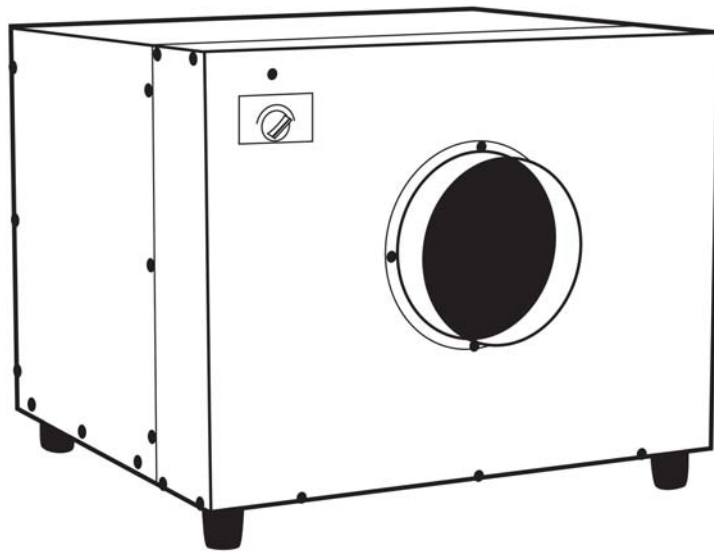


HEAT CONTROLLER, INC.

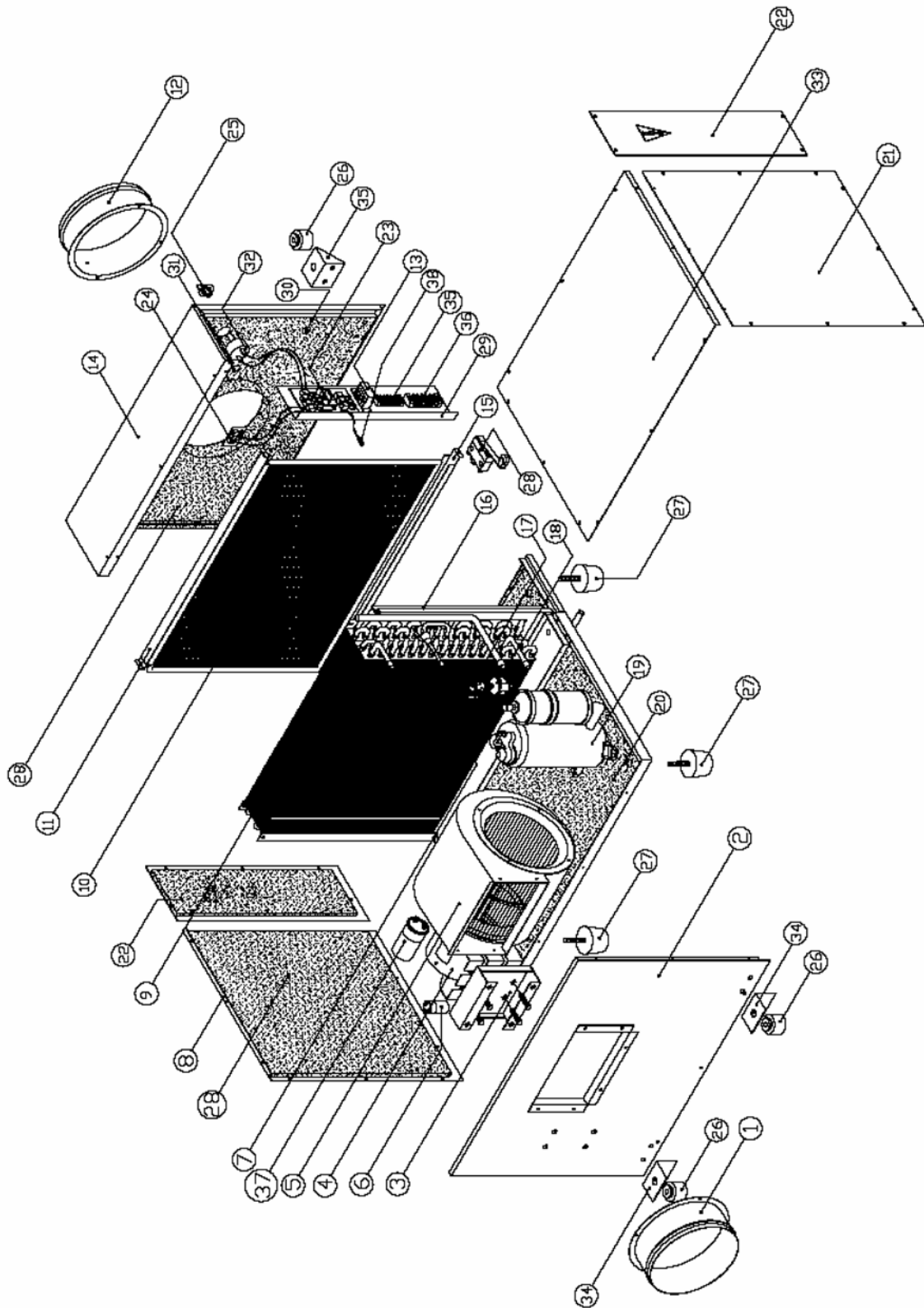
REPLACEMENT PARTS LIST



**Whole House
Dehumidifier**

Whole House Dehumidifier

Exploded View



Whole House Dehumidifier**Parts List**

ITEM	HCI PART #	PART NAME	Q'TY
1	WHD - D114	DUCT, SUPPLY	1 PC.
2	WHD - VB14	PANEL, BLOWER SUPPLY w/ INSULATION	1 PC.
3	WHD - BM14	BASE, MOTOR	1 PC.
4	WHD - MT14	MOTOR - 115V, 1/10 HP, 3 SPD	1 PC.
5	WHD - BW14	BLOWER SET (WHEEL, HOUSING & INLET)	1 PC.
6	WHD - RC14	CAPACITOR, (MOTOR)	1 PC.
7	WHD - DP14	DRAIN PAN (STAINLESS)	1 PC.
8	WHD - SM14	PANEL SIDE w/ INSULATION	1 PC.
9	WHD - CO14	COIL	1 PC.
10	WHD - FT14	FILTER, 431x595x5mm. NYLON	1 PC.
11	WHD - UF14	UPPER GROOVE, FILTER	1 PC.
12	WHD - DR14	DUCT, RETURN	1 PC.
13	WHD - TR14	TRANSFORMER, 115-24VAC, 24 VA	1 PC.
14	WHD - VR14	PANEL, RETURN AIR w/ INSULATION	1 PC.
15	WHD - LF14	LOWER GROOVE FILTER	1 PC.
16	WHD - SR14	SUPPORT, SIDE PANEL RETURN AIR	1 PC.
17	WHD - TX14	TEX. VALVE	1 PC.
18	WHD - FD14	FILTER DRIER	1 PC.
19	WHD - CS14	COMPRESSOR	1 PC.
20	WHD - BT14	BOTTOM PAN	1 PC.
21	WHD - SD14	PANEL, SIDE w/ INSULATION	1 PC.
22	WHD - SP14	PANEL, FILTER w/ INSULATION	2 PCS.
23	WHD - PP14	PCB, MAIN	1 PC.
24	WHD - HC14	SENSOR MODULE, HUMIDITY, w/ HARNESS	1 PC.
25	WHD - NC14	KNOB, CONTROL	1 PC.
26	WHD - RI14	ISOLATOR, RUBBER	4 PCS.
27	WHD - AF14	FOOT, RUBBER, ADJUSTABLE	4 PCS.
28	WHD - DS14	SWITCH, DOOR	1 PC.
29	WHD - CT14	PANEL, CONTROL	1 PC.
30, 31	WHD - MH14	GROMMET, RUBBER, CLOSED, 7/8" OD	1 PC.
32	WHD - RH14	POT, RH ADJUSTMENT, w/ HARNESS	1 PC.
33	WHD - TP14	PANEL, TOP w/ INSULATION	1 PC.
34	WHD - HG14	HANGER	4 PCS.
35	WHD - TS14	TERMINAL STRIP, TB-10, 5 AMP	1 PC.
36	WHD - TS14-1	TERMINAL STRIP, TB-6, 30 AMP	1 PC.
37	WHD - RC14-1	CAPACITOR, (COMPRESSOR)	1 PC.
38	WHD - DF14	DEFROST SENSOR w/ HARNESS	1 PC.

**Design, material, performance data and components
subject to change without notice.**

HEAT CONTROLLER, INC.

1900 Wellworth Ave., Jackson, Michigan 49203 • Ph. 517-787-2100 • Fax 517-787-9341

THE QUALITY LEADER IN AIR CONDITIONING

www.heatcontroller.com