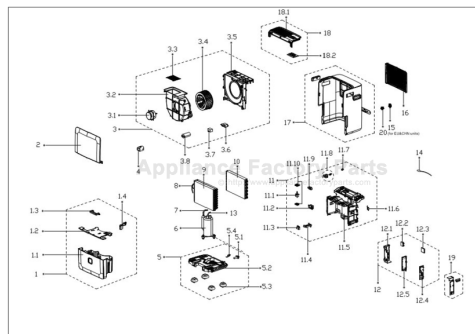


This Owner's Manual is provided and hosted by [Appliance Factory Parts](#).



COMFORT-AIRE BHDP-951H Owner's Manual

[Shop genuine replacement parts for COMFORT-AIRE
BHDP-951H](#)



[Find Your COMFORT-AIRE Dehumidifier Parts - Select From 129 Models](#)

----- Manual continues below -----

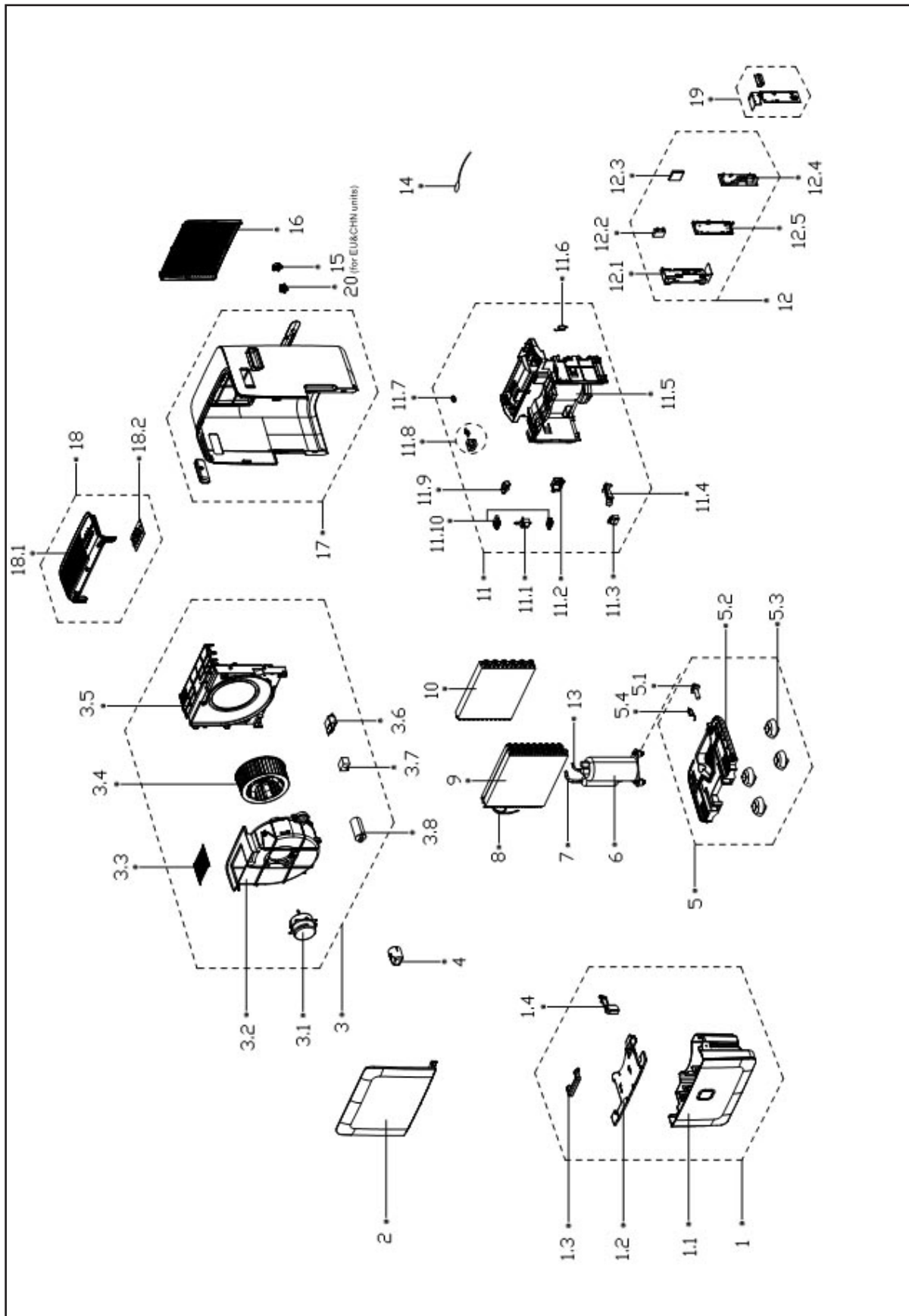


PARTS LIST

Portable Dehumidifier

BHDP-951H

EXPLODED VIEW



REPLACEMENT PARTS

Location	Part Name	Quantity	Part No.
1	Water tank assembly	1	12120100A00899
1.1	Water tank	1	12120100001501
1.2	Water tank cover	1	12120100001500
1.3	Handle of water tank	1	12120100000984
1.4	Dobber	1	12120100000940
2	Front panel	1	12120100A00864
3	Volute shell assembly	1	12120100001210
3.1	Asynchronous motor	1	11002012002516
3.2	Cover of volute shell	1	12120100001142
3.3	wire net	1	12220100000066
3.4	Centrifugal fan	1	12100103000099
3.5	Volute shell assembly	1	12120100001267
3.6	Box of Ionizer generator	1	12220600000260
3.7	Ionizer generator	1	17400609000031
3.8	Capacitor	1	17400103000028
4	Capacitor box	1	12120600001477
5	Chassis assembly	1	12120100001464
5.1	Capacitor of compressor	1	17401202000150
5.2	Chassis assembly	1	12120100000144
5.3	Universal wheel	4	12620600000019
5.4	Micro switch	1	17400512000009
6	Compressor	1	11103010001094
7	Suction pipe assembly	1	15120100000395
8	Capillary assembly	1	15120100000426
9	Evaporator coil assembly	1	15820100000048
10	Condenser assembly	1	15820100000178
11	Partition board assembly	1	12120100001385
11.1	Water pump	1	17400802000014
11.2	Installation box of water pump	1	12120100001442
11.3	Protect cover	1	12120100001404
11.4	Rubber pipe assembly of water pump	1	12620100000008
11.5	Partition board assembly	1	12120100001396
11.6	Micro switch	1	17400512000009
11.7	Quick connecting pipe	1	12120100000001
11.8	Installation plate assembly	1	12120100000594
11.9	Drain connector of water pump	1	12100510000010
11.10	Installation plate assembly	1	12600701000008
11.10	Installation plate assembly	1	12600701000010
12	Electronic control box assembly	1	17220100000061
12.1	Electronic control box	1	12220100000008
12.2	Fan motor capacitor	1	17400101000071
12.3	Humidity sensor	1	17120100000344
12.4	Main control board assembly	1	17120100000241
12.5	Bracket of Main control board	1	12120100001598
13	Discharge pipe assembly	1	15120100000308
14	Pipe temperature sensor assembly	1	11201007000363
15	Cover for drain connector	1	12120100001434
16	Air inlet grille	1	12120100000443
17	Rear panel	1	12120100000350
18	Top cover assembly	1	12120100A01432
18.1	Top cover	1	12120100000203
18.2	Display board assembly	1	17120100000035
19	Cover of electronic control box	1	12220100000027
Not Shown	Power cord w/plug	1	17401202000150

Due to ongoing product improvements, specifications and dimensions are subject to change and correction without notice or incurring obligations. Determining the application and suitability for use of any product is the responsibility of the installer. Additionally, the installer is responsible for verifying dimensional data on the actual product prior to beginning any installation preparations.

Incentive and rebate programs have precise requirements as to product performance and certification. All products meet applicable regulations in effect on date of manufacture; however, certifications are not necessarily granted for the life of a product. Therefore, it is the responsibility of the applicant to determine whether a specific model qualifies for these incentive/rebate programs.

Comfort-Cire[®]

1900 Wellworth Ave., Jackson MI 49203 • Ph. 517-787-2100 • www.marsdelivers.com

