

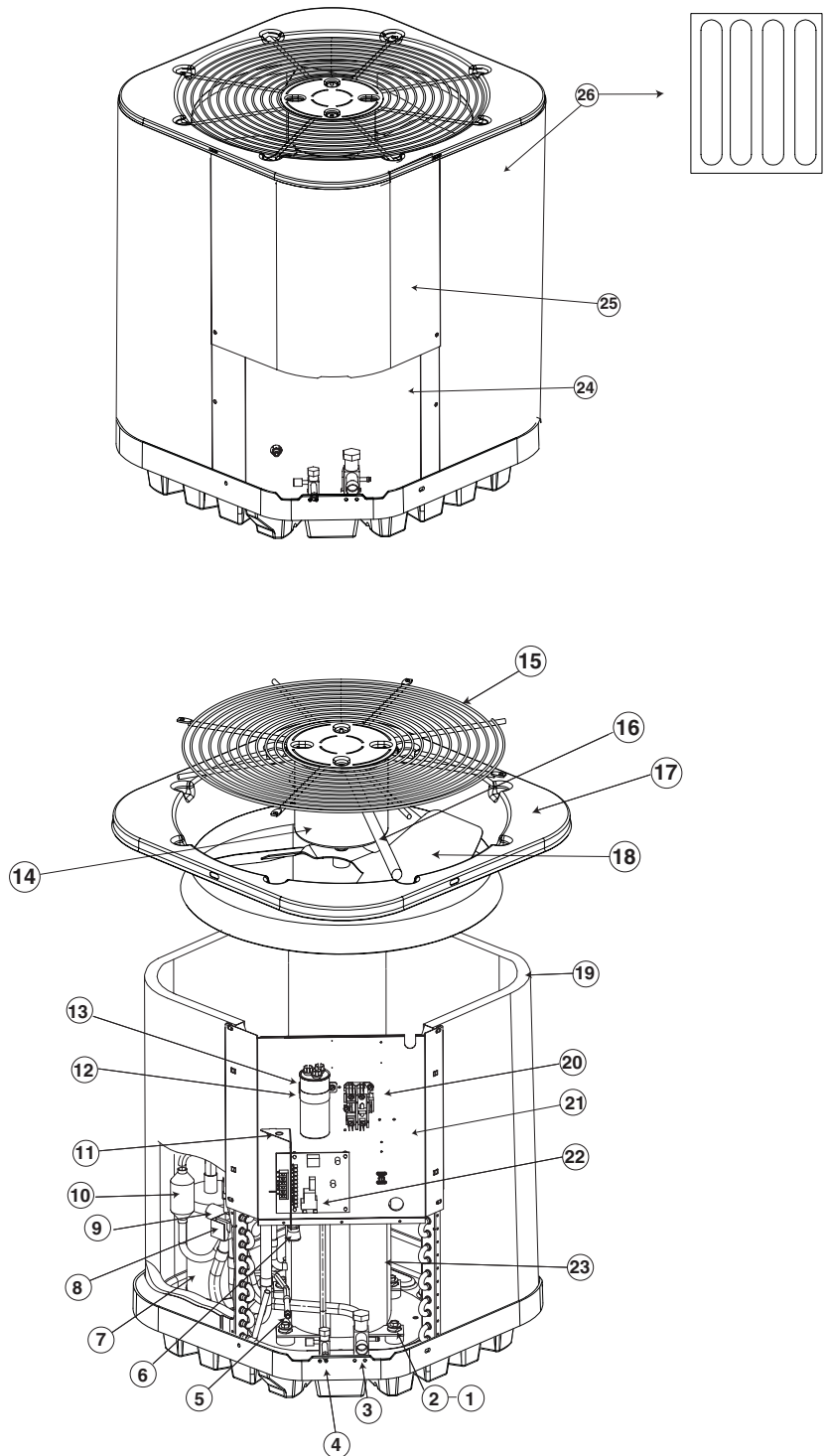
REPLACEMENT PARTS LIST

Residential Split System Heat Pump

HRG14**S1E Series

14 SEER Models

ITEM #	COMPONENT
1	Compressor Bolt
2	Compressor Grommet
3	Refrigerant Valve (LG)
4	Refrigerant Valve (SM)
5	Shrader Valve
6	Swivel Connector
7	Accumulator
8	Reversing Valve Coil
9	Reversing Valve
10	Muffler
11	Low Voltage Divider
12	Capactor Strap
13	Capacitor
14	Outdoor Fan Motor
15	Outdoor Fan Grille
16	Motor Wire Conduit
17	Top Pan </td
18	Outdoor Fan Blade
19	Outdoor Coil
20	Contactora
21	Control Box
22	Defrost Board
23	Compressor
24	Access Panel
25	Control Box Cover
26	Outdoor Coil Guard



HRG14**S1E Series Residential Split System Heat Pump

COMPONENT	HRG1418S1E	HRG1424S1E	HRG1430S1E	HRG1436S1E	HRG1442S1E	HRG1448S1E	HRG1460S1E
	919660Y	919661Y	919662Y	919663Y	919664Y	919665Y	919666Y
Access Panel	274016Y	274016Y	274016Y	274016Y	274016Y	274016Y	274016Y
Accumulator	668853	668853	668853	668794	668854	668854	668854
Capacitor	01-0082	01-0083	01-0084	01-0085	01-0271	01-0271	01-0279
Compensator Tank					669422	669422	669422
Compressor	921421	921422	921424	921426	921463	921465	921468
Compressor Bolt	600426	600426	600426	600426	600426	600426	600426
Compressor Grommet	668530	668530	668530	668530	668530	668530	668530
Compressor Molded Plug	634660R	634660R	634660R	634660R	634660R	634660R	634660R
Contactora	624712	624712	624712	624712	624713	624713	624714
Control Box	2C3551	2C3551	2C3551	2C3551	2C3551	2C3551	2C3551
Control Box Cover	276921YR	276921YR	276921YR	276921YR	276921YR	276921YR	276921YR
Crankcase Heater	632410	632410	632410	632410	632410	632410	632410
Defrost Board	917178A	917178A	917178A	917178A	917178A	917178A	917178A
Defrost Sensor	626491R	626491R	626491R	626491R	626491R	626491R	626491R
Distributor	664718R	664718R	664718R	664718R	664719R	664719R	664719R
Filter Drier	669762	669762	669762	669762	669761	669761	669761
High Pressure Switch	632473R	632473R	632473R	632473R	632473R	632473R	632473R
Low Voltage Divider	258791	258791	258791	258791	258791	258791	258791
Motor Wire Conduit	664290	664290	664290	664290	664290	664290	664290
Muffler	669546R	669546R	669546R	669546R	669546R	669546R	669546R
Outdoor Coil	2C3331RD	2C3331RD	2C3331RD	2C3331RD	2C3341RD	2C3341RD	2C3341RD
Outdoor Coil Guard	2C4406R	2C4406R	2C4406R	2C4406R	2C4406R	2C4406R	2C4406R
Outdoor Fan Blade	667383	667383	667383	667383	667383	667383	667383
Outdoor Fan Grille	669335R	669335R	669335R	669335R	669335R	669335R	669335R
Outdoor Fan Motor	622656	622656	622656	622656	622656	622066	622066
Refrigerant Valve (LG)	663864R	663864R	663864R	663865R	663865R	663865R	663865R
Refrigerant Valve (SM)	664509R	664509R	664509R	664509R	664509R	664509R	664509R
Reversing Valve	669465R	669465R	669465R	M0079102	M0079102	M0079102	M0079102
Reversing Valve Coil	669470R	669470R	669470R	669937R	669937R	669937R	669937R
Schrader Fitting	664423	664423	664423	664423	664423	664423	664423
Top Pan	496162YR	496162YR	496162YR	496162YR	496162YR	496162YR	496162YR
Valve Core	662103R	662103R	662103R	662103R	662103R	662103R	662103R

Please specify the correct Model No., Serial No. & part number(s) when ordering parts from the nearest authorized dealer or service center.

HEAT CONTROLLER, INC.



Specifications & illustrations subject to change without notice or incurring obligations.
Jackson, MI | Printed in U.S.A. (01/13)

7094880 (NEW)