
Comfort-Aire®

 **Century**®

MARS
Delivering Confidence

REPLACEMENT PARTS LIST

265V Packaged Terminal Air Conditioner & Heat Pump:

EKTC07-2G

EKTC09-2G

EKTC12-2G

EKTC15-2G

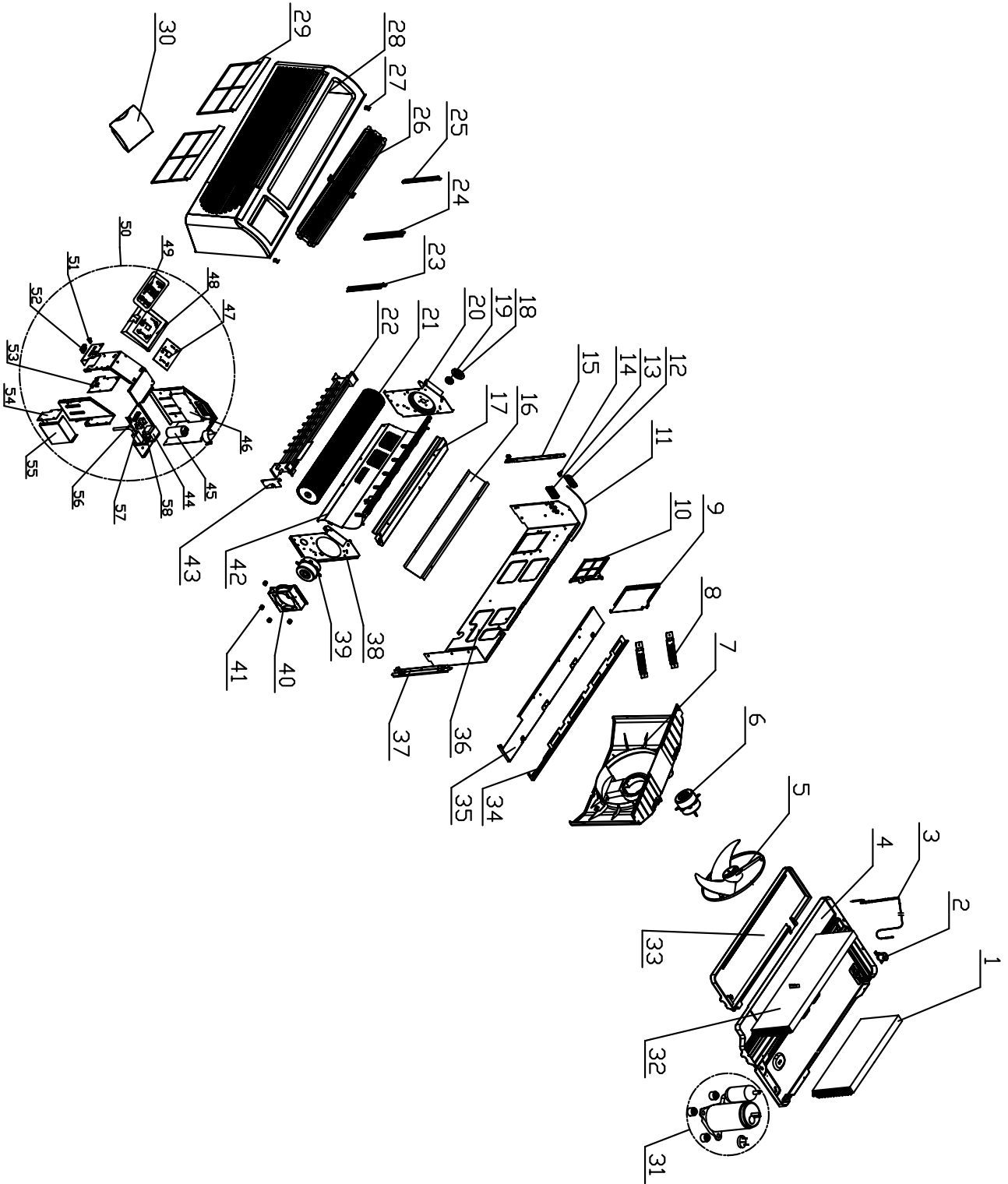
EKTH07-2G

EKTH09-2G

EKTH12-2G

EKTH15-2G

EXPLODED VIEW: EKTC07-2G



REPLACEMENT PARTS: EKTC07-2G

| NO. | Part Code | Part Description | qty |
|-----|-------------|--------------------------|-----|
| 1 | 01101272 | Condenser Assy | 1 |
| 2 | 07100164 | Drain water valve | 1 |
| 3 | 03001424 | Capillary Sub-Assy | 1 |
| 4 | 0120102601P | Chassis Assy | 1 |
| 5 | 10331004 | Axial flow fan | 1 |
| 6 | 150110345 | Fan Motor | 1 |
| 7 | 10371004 | Diversion Circle | 1 |
| 8 | 01381004 | Middle plate | 2 |
| 9 | 01441008 | Air inlet door Sub-assy | 1 |
| 10 | 11121213 | Fresh air filter | 1 |
| 11 | 02121014 | Door thread | 1 |
| 12 | 26231154 | Cover(UP) | 1 |
| 13 | 26231155 | Cover(DOWN) | 1 |
| 14 | 26231153 | Handle | 1 |
| 15 | 01701015 | Bracket assy(L) | 1 |
| 16 | 01471007 | Protect net | 1 |
| 17 | 02121010P | Cochlea tongue | 1 |
| 18 | 02111010 | Bearing board | 1 |
| 19 | 26151138 | Bearing rubber assy | 1 |
| 20 | 02121008P | Air hole left board | 1 |
| 21 | 10351002 | Cross flow fan | 1 |
| 22 | 3200102603 | Electric Heater | 1 |
| 23 | 26111139 | Filter board 1 | 1 |
| 24 | 26111140 | Filter board 2 | 1 |
| 25 | 26111141 | Filter board 3 | 1 |
| 26 | 22411153 | Wind gridiron | 1 |
| 27 | 02111013 | Front panel mtg. clips | 2 |
| 28 | 20001457 | Front Panel | 1 |
| 29 | 11121212 | Filter | 2 |
| 30 | 20121070 | Remote Control Cover | 1 |
| 31 | 00101060 | Compressor and fittings | 1 |
| 32 | 01001066 | Evaporator Assy | 1 |
| 33 | 02121012 | Heat insulation plate | 1 |
| 34 | 01701009 | Up plate bracket | 1 |
| 35 | 01251013 | Top Cover Plate Sub-Assy | 1 |
| 36 | 01231041P | Partition plate | 1 |
| 37 | 01701016 | Bracket assy(R) | 1 |
| 38 | 02121009P | Air hole right board | 1 |
| 39 | 1501180204 | Fan Motor | 1 |
| 40 | 01701014P | Motor Support Sub-Assy | 1 |
| 41 | 76711031 | Damping rubber | 4 |

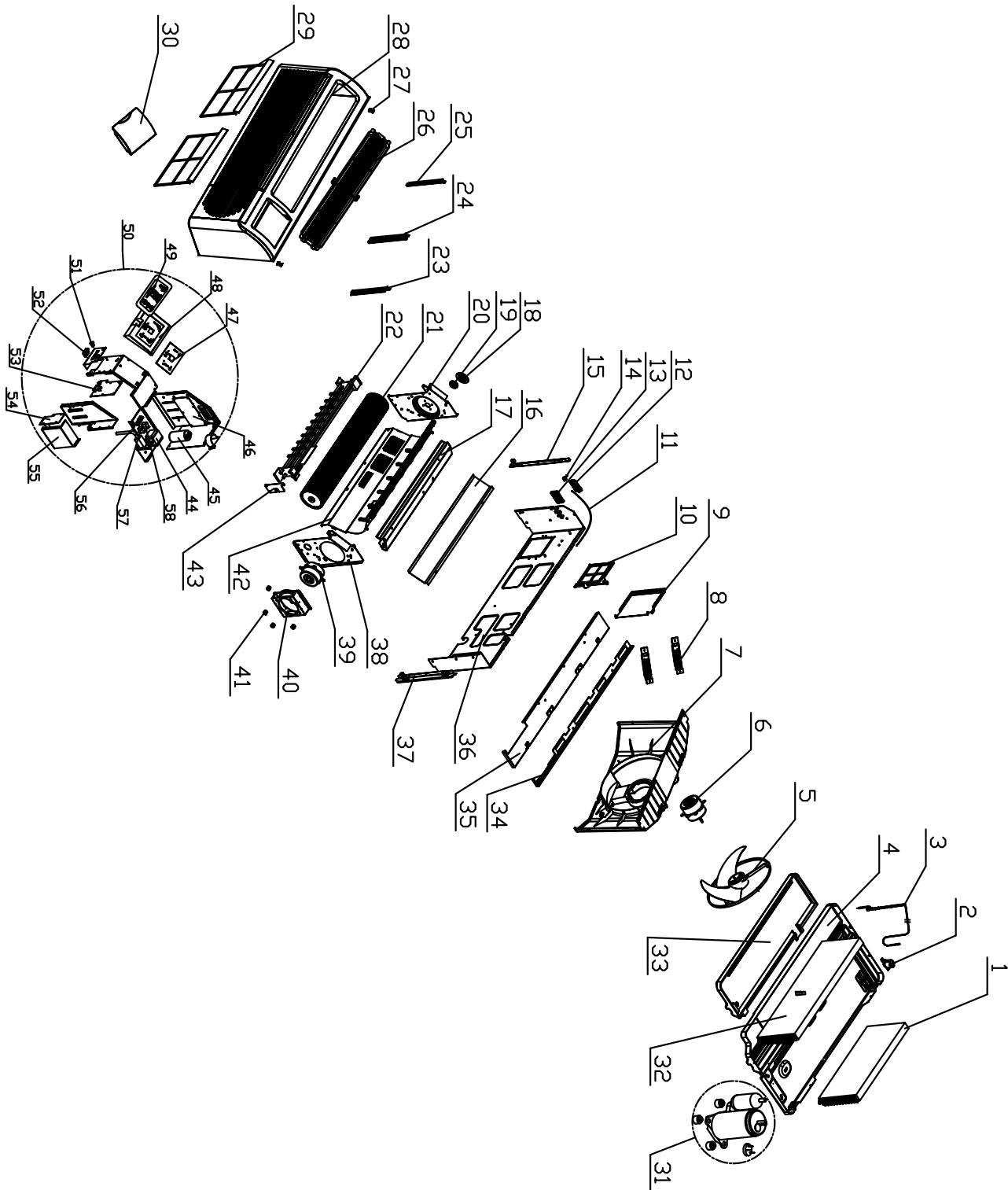
Continued on next page....

REPLACEMENT PARTS: EKTC07-2G

Continued from previous page....

| No. | Part Code | Part Description | Qty. |
|-----------|------------|----------------------------|------|
| 42 | 01221013 | Air duct sub-assy | 1 |
| 43 | 02111009 | Heater Wiring block board | 1 |
| 44 | 43110269 | Transformer | 1 |
| 45 | 33010045 | Capacitor CBB65 15uF/450V | 1 |
| 46 | 30032021 | Main PCB1 | 1 |
| 47 | 30542007 | PCB | 1 |
| 48 | 20161239 | Control panel | 1 |
| 49 | 76711007 | Control panel glue gasket | 1 |
| 50 | 0140125401 | Electric Box Assy | 1 |
| 51 | 42010037 | Connector 5EHDV-02P | 1 |
| 52 | 42010039S | Connector 5EHDV-07P | 1 |
| 53 | 30032023 | Main PCB2 | 1 |
| 54 | 01251015 | Junction lid | 1 |
| 55 | 01411050 | Junction box | 1 |
| 56 | 42011103 | Terminal Board 2-8 | 2 |
| 57 | 33010089 | Capacitor CBB611A 1uF/450V | 1 |
| 58 | 33010020 | Capacitor | 1 |
| Not Shown | 12411904 | Indoor Foam Drain Pan | 1 |

EXPLODED VIEW: EKTC09-2G



REPLACEMENT PARTS: EKTC09-2G

| NO. | Part Code | Part Description | qty |
|-----|-------------|---------------------------|-----|
| 1 | 01101809 | Condenser Assy | 1 |
| 2 | 07100164 | Drain water valve | 1 |
| 3 | 03001079 | Capillary Assy | 1 |
| 4 | 0120102601P | Chassis Assy | 1 |
| 5 | 10331004 | Axial flow fan | 1 |
| 6 | 150110345 | Fan Motor | 1 |
| 7 | 10371004 | Diversion Circle | 1 |
| 8 | 01381004 | Middle plate | 2 |
| 9 | 01441008 | Air inlet door Sub-assy | 1 |
| 10 | 11121213 | Fresh air filter | 1 |
| 11 | 02121014 | Door thread | 1 |
| 12 | 26231154 | Cover(UP) | 1 |
| 13 | 26231155 | Cover(DOWN) | 1 |
| 14 | 26231153 | Handle | 1 |
| 15 | 01701015 | Bracket assy(L) | 1 |
| 16 | 01471007 | Protect net | 1 |
| 17 | 02121010P | Cochlea tongue | 1 |
| 18 | 02111010 | Bearing board | 1 |
| 19 | 26151138 | Bearing rubber assy | 1 |
| 20 | 02121008P | Air hole left board | 1 |
| 21 | 10351002 | Cross flow fan | 1 |
| 22 | 3200102603 | Electric Heater | 1 |
| 23 | 26111139 | Filter board 1 | 1 |
| 24 | 26111140 | Filter board 2 | 1 |
| 25 | 26111141 | Filter board 3 | 1 |
| 26 | 22411153 | Wind gridiron | 1 |
| 27 | 02111013 | Front panel mtg. clips | 2 |
| 28 | 20001457 | Front Panel | 1 |
| 29 | 11121212 | Filter | 2 |
| 30 | 20121070 | Remote Control Cover | 1 |
| 31 | 00101055 | Compressor and fittings | 1 |
| 32 | 01001043 | Evaporator assy | 1 |
| 33 | 02121012 | Heat insulation plate | 1 |
| 34 | 01701009 | Up plate bracket | 1 |
| 35 | 01251013 | Top Cover Plate Sub-Assy | 1 |
| 36 | 01231041P | Partition plate | 1 |
| 37 | 01701016 | Bracket assy(R) | 1 |
| 38 | 02121009P | Air hole right board | 1 |
| 39 | 1501180201 | Motor(IN) | 1 |
| 40 | 01701014P | Motor Support Sub-Assy | 1 |
| 41 | 76711031 | Damping rubber | 4 |
| 42 | 0122101101 | Air duct sub-assy | 1 |
| 43 | 02111009 | Heater Wiring block board | 1 |

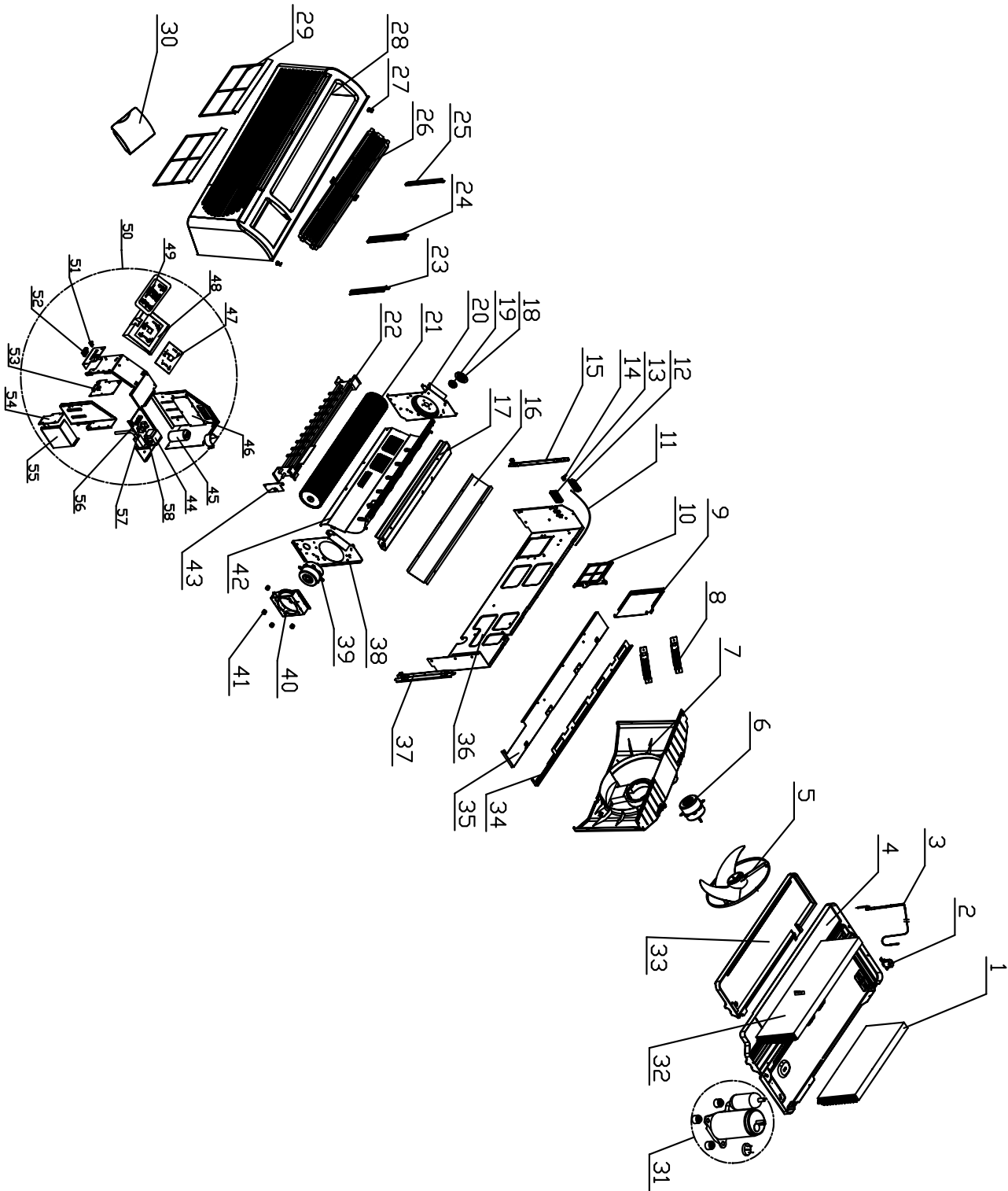
Continued on next page....

REPLACEMENT PARTS: EKTC09-2G

Continued from previous page....

| No. | Part Code | Part Description | Qty. |
|-----------|-----------|---------------------------|------|
| 44 | 43110269 | Transformer | 1 |
| 45 | 33010045 | Capacitor CBB65 15uF/450V | 1 |
| 46 | 30032021 | Main PCB1 | 1 |
| 47 | 30542007 | PCB | 1 |
| 48 | 20161239 | Control panel | 1 |
| 49 | 76711007 | Control panel glue gasket | 1 |
| 50 | 01401427 | Electric Box Assy | 1 |
| 51 | 42010037 | Connector 5EHDV-02P | 1 |
| 52 | 42010039S | Connector 5EHDV-07P | 1 |
| 53 | 30032023 | Main PCB2 | 1 |
| 54 | 01251015 | Junction lid | 1 |
| 55 | 01411050 | Junction box | 1 |
| 56 | 42011103 | Terminal Board 2-8 | 2 |
| 57 | 33010020 | Capacitor | 1 |
| 58 | 33010020 | Capacitor | 1 |
| Not Shown | 12411904 | Indoor Foam Drain Pan | 1 |

EXPLODED VIEW: EKTC12-2G



REPLACEMENT PARTS: EKTC12-2G

| NO. | Part Code | Part Description | qty |
|-----|-------------|--------------------------|-----|
| 1 | 01101809 | Condenser Assy | 1 |
| 2 | 07100164 | Drain water valve | 1 |
| 3 | 03001139 | Capillary Sub-Assy | 1 |
| 4 | 0120102604P | Chassis Sub-assy | 1 |
| 5 | 10331004 | Axial flow fan | 1 |
| 6 | 150110342 | Motor (out) | 1 |
| 7 | 10371004 | Diversion Circle | 1 |
| 8 | 01381004 | Middle plate | 2 |
| 9 | 01441008 | Air inlet door Sub-assy | 1 |
| 10 | 11121213 | Fresh air filter | 1 |
| 11 | 02121014 | Door thread | 1 |
| 12 | 26231154 | Cover(UP) | 1 |
| 13 | 26231155 | Cover(DOWN) | 1 |
| 14 | 26231153 | Handle | 1 |
| 15 | 01701015 | Bracket assy(L) | 1 |
| 16 | 01471007 | Protect net | 1 |
| 17 | 02121010P | Cochlea tongue | 1 |
| 18 | 02111010 | Bearing board | 1 |
| 19 | 26151138 | Bearing rubber assy | 1 |
| 20 | 02121008P | Air hole left board | 1 |
| 21 | 10351002 | Cross flow fan | 1 |
| 22 | 3200102601 | PTC Heater | 1 |
| 23 | 26111139 | Filter board 1 | 1 |
| 24 | 26111140 | Filter board 2 | 1 |
| 25 | 26111141 | Filter board 3 | 1 |
| 26 | 22411153 | Wind gridiron | 1 |
| 27 | 02111013 | Front panel mtg. clips | 2 |
| 28 | 20001457 | Front Panel | 1 |
| 29 | 11121212 | Filter | 2 |
| 30 | 20121070 | Remote Control Cover | 1 |
| 31 | 00101054 | Compressor | 1 |
| 32 | 01001285 | Evaporator Assy | 1 |
| 33 | 02121012 | Heat insulation plate | 1 |
| 34 | 01701009 | Up plate bracket | 1 |
| 35 | 01251013 | Top Cover Plate Sub-Assy | 1 |
| 36 | 01231041P | Partition plate | 1 |
| 37 | 01701016 | Bracket assy(R) | 1 |
| 38 | 02121009P | Air hole right board | 1 |
| 39 | 1501180205 | Motor(IN) | 1 |
| 40 | 01701014P | Motor Support Sub-Assy | 1 |
| 41 | 76711031 | Damping rubber | 4 |
| 42 | 0144100905 | Air duct sub-assy | 1 |

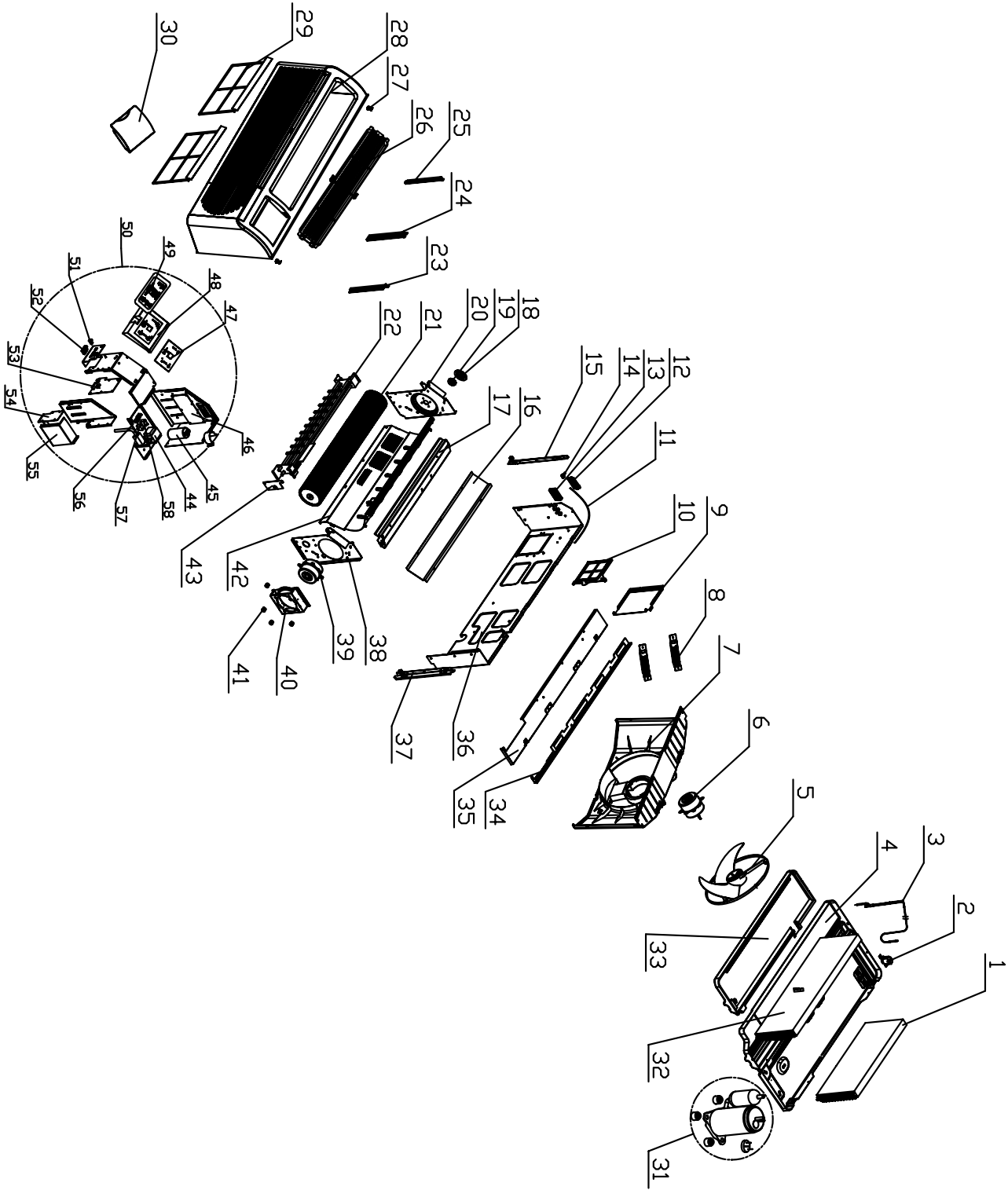
Continued on next page....

REPLACEMENT PARTS: EKTC12-2G

Continued from previous page....

| No. | Part Code | Part Description | Qty. |
|-----------|-----------|----------------------------|------|
| 43 | 02111009 | Heater Wiring block board | 1 |
| 44 | 43110269 | Transformer | 1 |
| 45 | 33000017 | Capacitor | 1 |
| 46 | 30032021 | Main PCB1 | 1 |
| 47 | 30542007 | PCB | 1 |
| 48 | 20161239 | Control panel | 1 |
| 49 | 76711007 | Control panel glue gasket | 1 |
| 50 | 01401429 | Electric Box Assy | 1 |
| 51 | 42010037 | Connector 5EHDV-02P | 1 |
| 52 | 42010039S | Connector 5EHDV-07P | 1 |
| 53 | 30032023 | Main PCB2 | 1 |
| 54 | 01251015 | Junction lid | 1 |
| 55 | 01411050 | Junction box | 1 |
| 56 | 42011103 | Terminal Board 2-8 | 2 |
| 57 | 33010020 | Capacitor | 1 |
| 58 | 33010026 | Capacitor CBB61 2.5uF/450V | 1 |
| Not Shown | 12411904 | Indoor Foam Drain Pan | 1 |

EXPLODED VIEW: EKTC15-2G



REPLACEMENT PARTS: EKTC15-2G

| NO. | Part Code | Part Description | qty |
|-----|------------|--------------------------|-----|
| 1 | 01101191 | Condenser Assy | 1 |
| 2 | 07100164 | Drain water valve | 1 |
| 3 | 03001341 | Capillary Sub-Assy | 1 |
| 4 | 01201026P | Chassis Assy | 1 |
| 5 | 10331004 | Axial flow fan | 1 |
| 6 | 150110342 | Motor (out) | 1 |
| 7 | 10371004 | Diversion Circle | 1 |
| 8 | 01381004 | Middle plate | 2 |
| 9 | 01441008 | Air inlet door Sub-assy | 1 |
| 10 | 11121213 | Fresh air filter | 1 |
| 11 | 02121014 | Door thread | 1 |
| 12 | 26231154 | Cover(UP) | 1 |
| 13 | 26231155 | Cover(DOWN) | 1 |
| 14 | 26231153 | Handle | 1 |
| 15 | 01701015 | Bracket assy(L) | 1 |
| 16 | 01471007 | Protect net | 1 |
| 17 | 02121010P | Cochlea tongue | 1 |
| 18 | 02111010 | Bearing board | 1 |
| 19 | 26151138 | Bearing rubber assy | 1 |
| 20 | 02121008P | Air hole left board | 1 |
| 21 | 10351002 | Cross flow fan | 1 |
| 22 | 3200102601 | PTC Heater | 1 |
| 23 | 26111139 | Filter board 1 | 1 |
| 24 | 26111140 | Filter board 2 | 1 |
| 25 | 26111141 | Filter board 3 | 1 |
| 26 | 22411153 | Wind gridiron | 1 |
| 27 | 02111013 | Front panel mtg. clips | 2 |
| 28 | 20001457 | Front Panel | 1 |
| 29 | 11121212 | Filter | 2 |
| 30 | 20121070 | Remote Control Cover | 1 |
| 31 | 00101091 | Compressor and fittings | 1 |
| 32 | 01001285 | Evaporator Assy | 1 |
| 33 | 02121012 | Heat insulation plate | 1 |
| 34 | 01701009 | Up plate bracket | 1 |
| 35 | 01251013 | Top Cover Plate Sub-Assy | 1 |
| 36 | 01231041P | Partition plate | 1 |
| 37 | 01701016 | Bracket assy(R) | 1 |
| 38 | 02121009P | Air hole right board | 1 |
| 39 | 1501180205 | Motor(IN) | 1 |
| 40 | 01701014P | Motor Support Sub-Assy | 1 |
| 41 | 76711031 | Damping rubber | 4 |
| 42 | 0144100905 | Air duct sub-assy | 1 |

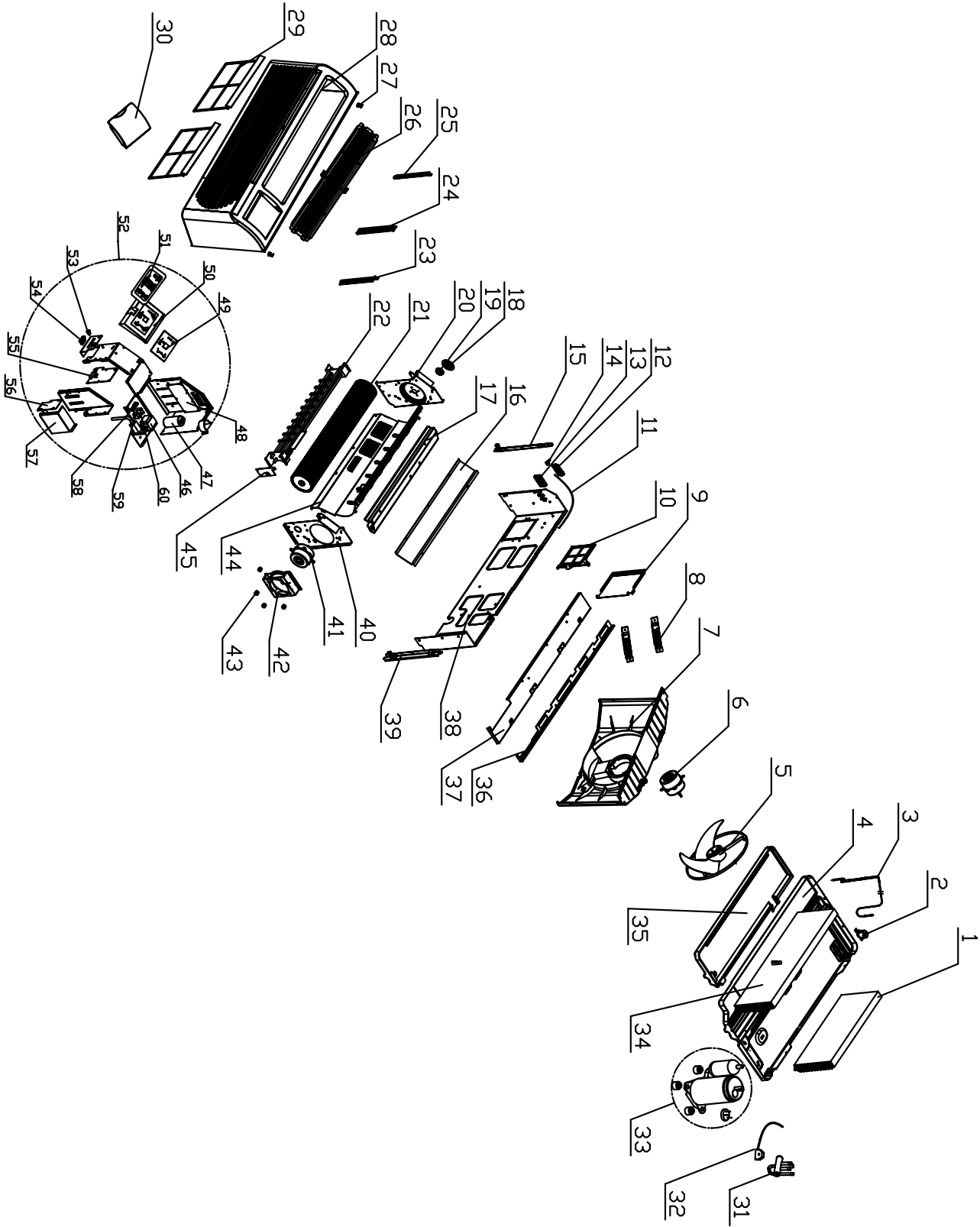
Continued on next page....

REPLACEMENT PARTS: EKTC15-2G

Continued from previous page....

| NO. | Part Code | Part Description | qty |
|-----------|------------|----------------------------|-----|
| 42 | 0144100905 | Air duct sub-assy | 1 |
| 43 | 02111009 | Heater Wiring block board | 1 |
| 44 | 43110269 | Transformer | 1 |
| 45 | 33000017 | Capacitor | 1 |
| 46 | 30032020 | Main PCB1 | 1 |
| 47 | 30542007 | PCB | 1 |
| 48 | 20161239 | Control panel | 1 |
| 49 | 76711007 | Control panel glue gasket | 1 |
| 50 | 01401914 | Electric Box Assy | 1 |
| 51 | 42010037 | Connector 5EHDV-02P | 1 |
| 52 | 42010039S | Connector 5EHDV-07P | 1 |
| 53 | 30032023 | Main PCB2 | 1 |
| 54 | 01251015 | Junction lid | 1 |
| 55 | 01411050 | Junction box | 1 |
| 56 | 42011103 | Terminal Board 2-8 | 2 |
| 57 | 33010020 | Capacitor | 1 |
| 58 | 33010026 | Capacitor CBB61 2.5uF/450V | 1 |
| Not Shown | 12411904 | Indoor Foam Drain Pan | 1 |

EXPLODED VIEW: EKTH07-2G



REPLACEMENT PARTS: EKTH072G

| NO. | Part Code | Part Description | qty |
|-----|-------------|--------------------------|-----|
| 1 | 01101272 | Condenser Assy | 1 |
| 2 | 07100164 | Drain water valve | 1 |
| 3 | 03001424 | Capillary Sub-Assy | 1 |
| 4 | 0120102601P | Chassis Assy | 1 |
| 5 | 10331004 | Axial flow fan | 1 |
| 6 | 150110345 | Fan Motor | 1 |
| 7 | 10371004 | Diversion Circle | 1 |
| 8 | 01381004 | Middle plate | 2 |
| 9 | 01441008 | Air inlet door Sub-assy | 1 |
| 10 | 11121213 | Fresh air filter | 1 |
| 11 | 02121014 | Door thread | 1 |
| 12 | 26231154 | Cover(UP) | 1 |
| 13 | 26231155 | Cover(DOWN) | 1 |
| 14 | 26231153 | Handle | 1 |
| 15 | 01701015 | Bracket assy(L) | 1 |
| 16 | 01471007 | Protect net | 1 |
| 17 | 02121010P | Cochlea tongue | 1 |
| 18 | 02111010 | Bearing board | 1 |
| 19 | 26151138 | Bearing rubber assy | 1 |
| 20 | 02121008P | Air hole left board | 1 |
| 21 | 10351002 | Cross flow fan | 1 |
| 22 | 3200102603 | Electric Heater | 1 |
| 23 | 26111139 | Filter board 1 | 1 |
| 24 | 26111140 | Filter board 2 | 1 |
| 25 | 26111141 | Filter board 3 | 1 |
| 26 | 22411153 | Wind gridiron | 1 |
| 27 | 02111013 | Front panel mtg. clips | 2 |
| 28 | 20001457 | Front Panel | 1 |
| 29 | 11121212 | Filter | 2 |
| 30 | 20121070 | Remote Control Cover | 1 |
| 31 | 03021109 | 4-way Valve Sub-Assy | 1 |
| 32 | 4300040026 | 4 Way Valve Fittings | 1 |
| 33 | 00101060 | Compressor and fittings | 1 |
| 34 | 01001066 | Evaporator Assy | 1 |
| 35 | 02121012 | Heat insulation plate | 1 |
| 36 | 01701009 | Up plate bracket | 1 |
| 37 | 01251013 | Top Cover Plate Sub-Assy | 1 |
| 38 | 01231041P | Partition plate | 1 |
| 39 | 01701016 | Bracket assy(R) | 1 |
| 40 | 02121009P | Air hole right board | 1 |
| 41 | 1501180204 | Fan Motor | 1 |
| 42 | 01701014P | Motor Support Sub-Assy | 1 |

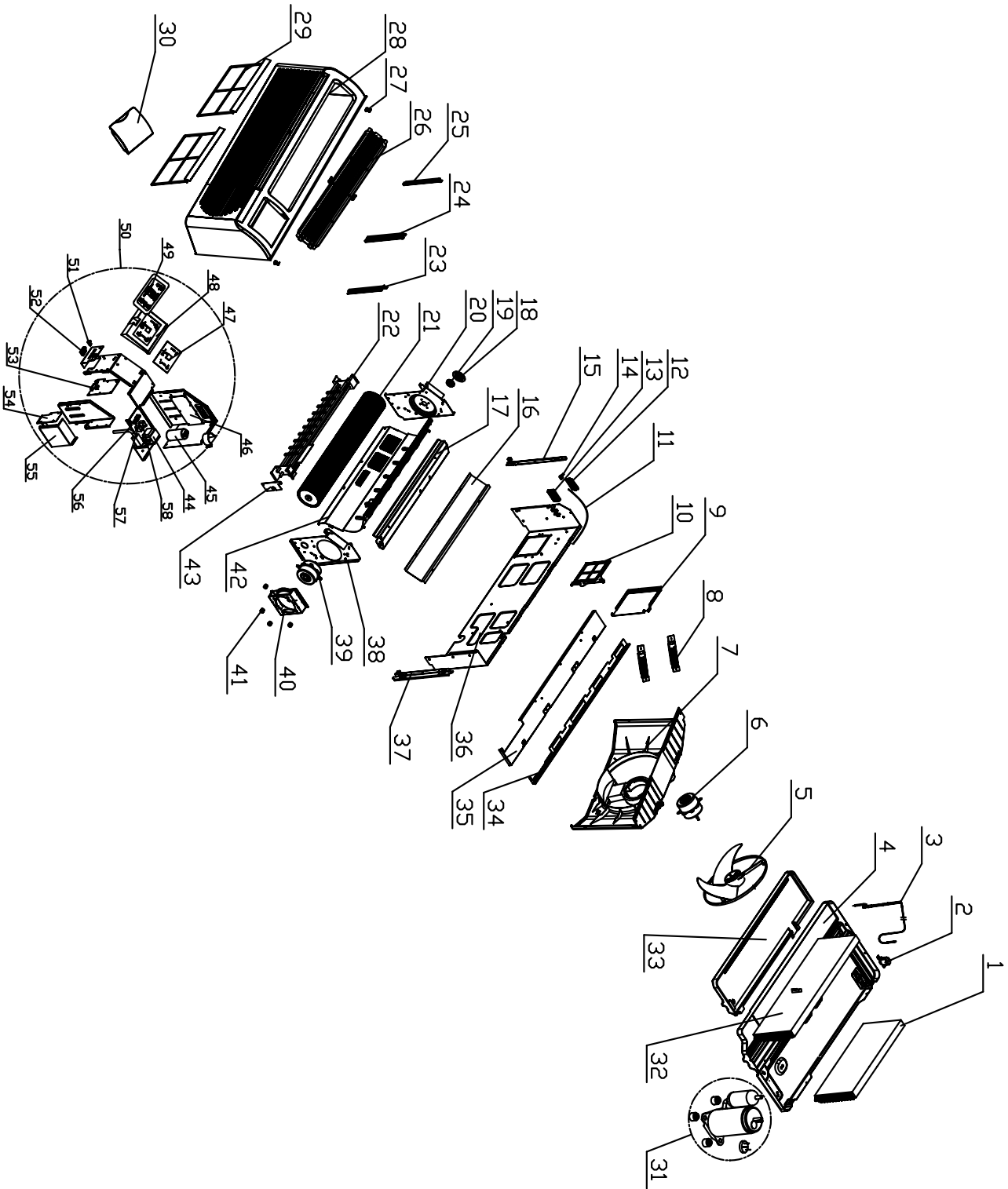
Continued on next page....

REPLACEMENT PARTS: EKTH07-2G

Continued from previous page....

| No. | Part Code | Part Description | Qty. |
|-----------|------------|----------------------------|------|
| 43 | 76711031 | Damping rubber | 4 |
| 44 | 1221013 | Air duct sub-assy | 1 |
| 45 | 02111009 | Heater Wiring block board | 1 |
| 46 | 43110269 | Transformer | 1 |
| 47 | 33010045 | Capacitor CBB65 15uF/450V | 1 |
| 48 | 30032020 | Main PCB1 | 1 |
| 49 | 30542007 | PCB | 1 |
| 50 | 20161239 | Control panel | 1 |
| 51 | 76711007 | Control panel glue gasket | 1 |
| 52 | 0140125501 | Electric Box Assy | 1 |
| 53 | 42010037 | Connector 5EHDV-02P | 1 |
| 54 | 42010039S | Connector 5EHDV-07P | 1 |
| 55 | 30032023 | Main PCB2 | 1 |
| 56 | 01251015 | Junction lid | 1 |
| 57 | 01411050 | Junction box | 1 |
| 58 | 42011103 | Terminal Board 2-8 | 2 |
| 59 | 33010089 | Capacitor CBB611A 1uF/450V | 1 |
| 60 | 33010020 | Capacitor | 1 |
| Not Shown | 12411904 | Indoor Foam Drain Pan | 1 |

EXPLODED VIEW: EKTH09-2G



REPLACEMENT PARTS: EKTH09-2G

| NO. | Part Code | Part Description | qty |
|-----|-------------|--------------------------|-----|
| 1 | 01101809 | Condenser Assy | 1 |
| 2 | 07100164 | Drain water valve | 1 |
| 3 | 03001824 | Capillary Sub-Assy | 1 |
| 4 | 0120102604P | Chassis Sub-assy | 1 |
| 5 | 10331004 | Axial flow fan | 1 |
| 6 | 150110345 | Fan Motor | 1 |
| 7 | 10371004 | Diversion Circle | 1 |
| 8 | 01381004 | Middle plate | 2 |
| 9 | 01441008 | Air inlet door Sub-assy | 1 |
| 10 | 11121213 | Fresh air filter | 1 |
| 11 | 02121014 | Door thread | 1 |
| 12 | 26231154 | Cover(UP) | 1 |
| 13 | 26231155 | Cover(DOWN) | 1 |
| 14 | 26231153 | Handle | 1 |
| 15 | 01701015 | Bracket assy(L) | 1 |
| 16 | 01471007 | Protect net | 1 |
| 17 | 02121010P | Cochlea tongue | 1 |
| 18 | 02111010 | Bearing board | 1 |
| 19 | 26151138 | Bearing rubber assy | 1 |
| 20 | 02121008P | Air hole left board | 1 |
| 21 | 10351002 | Cross flow fan | 1 |
| 22 | 3200102603 | Elextric Heater | 1 |
| 23 | 26111139 | Filter board 1 | 1 |
| 24 | 26111140 | Filter board 2 | 1 |
| 25 | 26111141 | Filter board 3 | 1 |
| 26 | 22411153 | Wind gridiron | 1 |
| 27 | 02111013 | Front panel mtg. clips | 2 |
| 28 | 20001457 | Front Panel | 1 |
| 29 | 11121212 | Filter | 2 |
| 30 | 20121070 | Remote Control Cover | 1 |
| 31 | 00101052 | Compressor | 1 |
| 32 | 01001284 | Evaporator Assy | 1 |
| 33 | 02121012 | Heat insulation plate | 1 |
| 34 | 01701009 | Up plate bracket | 1 |
| 35 | 01251013 | Top Cover Plate Sub-Assy | 1 |
| 36 | 01231041P | Partition plate | 1 |
| 37 | 01701016 | Bracket assy(R) | 1 |
| 38 | 02121009P | Air hole right board | 1 |
| 39 | 1501180201 | Motor(IN) | 1 |
| 40 | 01701014P | Motor Support Sub-Assy | 1 |
| 41 | 76711031 | Damping rubber | 4 |
| 42 | 0122101101 | Air duct sub-assy | 1 |

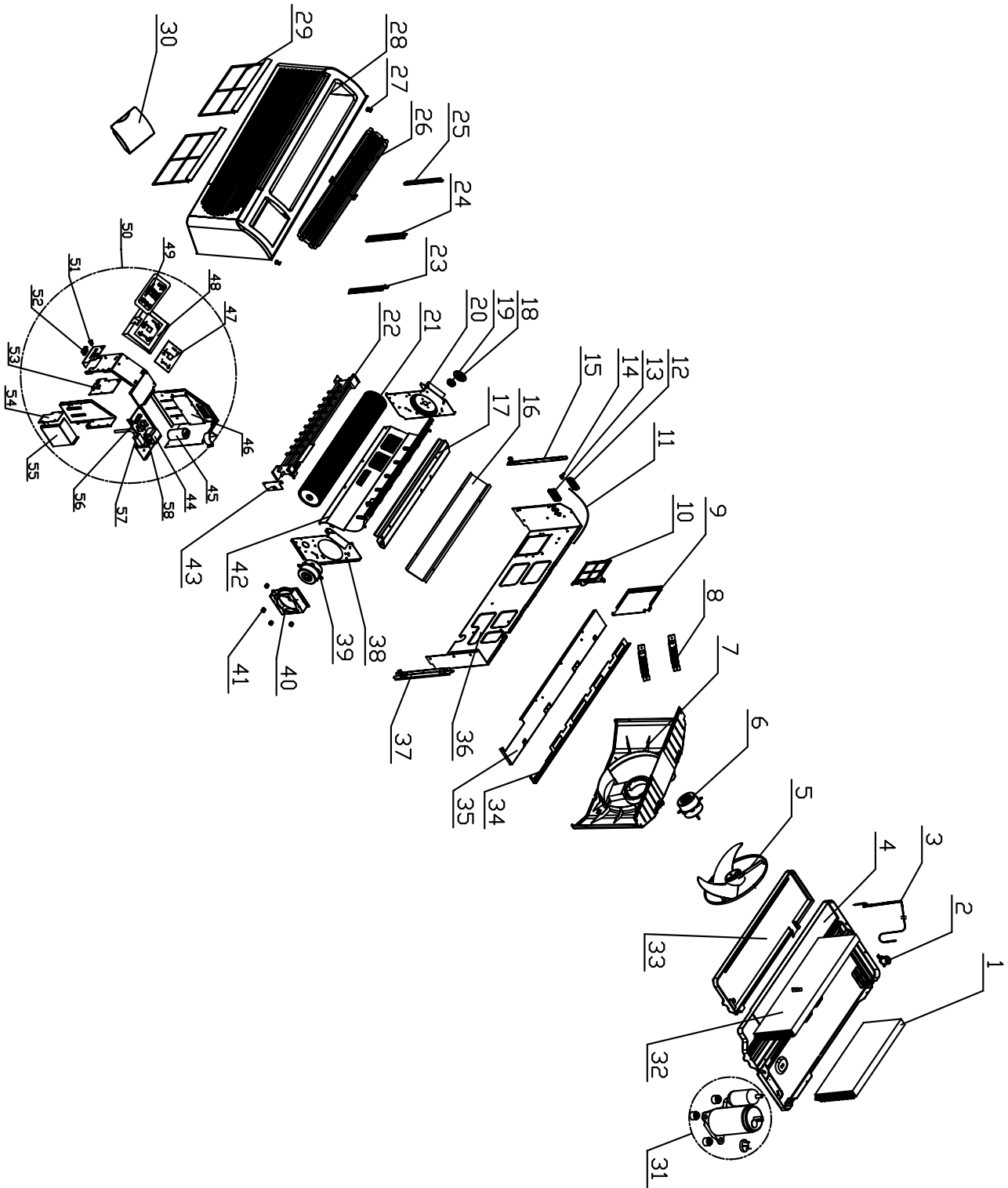
Continued on next page....

REPLACEMENT PARTS: EKTH09-2G

Continued from previous page....

| No. | Part Code | Part Description | Qty. |
|-----------|-----------|---------------------------|------|
| 43 | 02111009 | Heater Wiring block board | 1 |
| 44 | 43110269 | Transformer | 1 |
| 45 | 33010045 | Capacitor CBB65 15uF/450V | 1 |
| 46 | 30032020 | Main PCB1 | 1 |
| 47 | 30542007 | PCB | 1 |
| 48 | 20161239 | Control panel | 1 |
| 49 | 76711007 | Control panel glue gasket | 1 |
| 50 | 01401332 | Electric Box Assy | 1 |
| 51 | 42010037 | Connector 5EHDV-02P | 1 |
| 52 | 42010039S | Connector 5EHDV-07P | 1 |
| 53 | 30032023 | Main PCB2 | 1 |
| 54 | 01251015 | Junction lid | 1 |
| 55 | 01411050 | Junction box | 1 |
| 56 | 42011103 | Terminal Board 2-8 | 2 |
| 57 | 33010020 | Capacitor | 1 |
| 58 | 33010020 | Capacitor | 1 |
| Not Shown | 12411904 | Indoor Foam Drain Pan | 1 |

EXPLODED VIEW: EKTH12-2G



REPLACEMENT PARTS: EKTH12-2G

| NO. | Part Code | Part Description | qty |
|-----|-------------|--------------------------|-----|
| 1 | 01101809 | Condenser Assy | 1 |
| 2 | 07100164 | Drain water valve | 1 |
| 3 | 03001139 | Capillary Sub-Assy | 1 |
| 4 | 0120102604P | Chassis Sub-assy | 1 |
| 5 | 10331004 | Axial flow fan | 1 |
| 6 | 150110342 | Motor (out) | 1 |
| 7 | 10371004 | Diversion Circle | 1 |
| 8 | 01381004 | Middle plate | 2 |
| 9 | 01441008 | Air inlet door Sub-assy | 1 |
| 10 | 11121213 | Fresh air filter | 1 |
| 11 | 02121014 | Door thread | 1 |
| 12 | 26231154 | Cover(UP) | 1 |
| 13 | 26231155 | Cover(DOWN) | 1 |
| 14 | 26231153 | Handle | 1 |
| 15 | 01701015 | Bracket assy(L) | 1 |
| 16 | 01471007 | Protect net | 1 |
| 17 | 02121010P | Cochlea tongue | 1 |
| 18 | 02111010 | Bearing board | 1 |
| 19 | 26151138 | Bearing rubber assy | 1 |
| 20 | 02121008P | Air hole left board | 1 |
| 21 | 10351002 | Cross flow fan | 1 |
| 22 | 3200102601 | PTC Heater | 1 |
| 23 | 26111139 | Filter board 1 | 1 |
| 24 | 26111140 | Filter board 2 | 1 |
| 25 | 26111141 | Filter board 3 | 1 |
| 26 | 22411153 | Wind gridiron | 1 |
| 27 | 02111013 | Front panel mtg. clips | 2 |
| 28 | 20001457 | Front Panel | 1 |
| 29 | 11121212 | Filter | 2 |
| 30 | 20121070 | Remote Control Cover | 1 |
| 31 | 00101054 | Compressor | 1 |
| 32 | 01001285 | Evaporator Assy | 1 |
| 33 | 02121012 | Heat insulation plate | 1 |
| 34 | 01701009 | Up plate bracket | 1 |
| 35 | 01251013 | Top Cover Plate Sub-Assy | 1 |
| 36 | 01231041P | Partition plate | 1 |
| 37 | 01701016 | Bracket assy(R) | 1 |
| 38 | 02121009P | Air hole right board | 1 |
| 39 | 1501180205 | Motor(IN) | 1 |
| 40 | 01701014P | Motor Support Sub-Assy | 1 |
| 41 | 76711031 | Damping rubber | 4 |

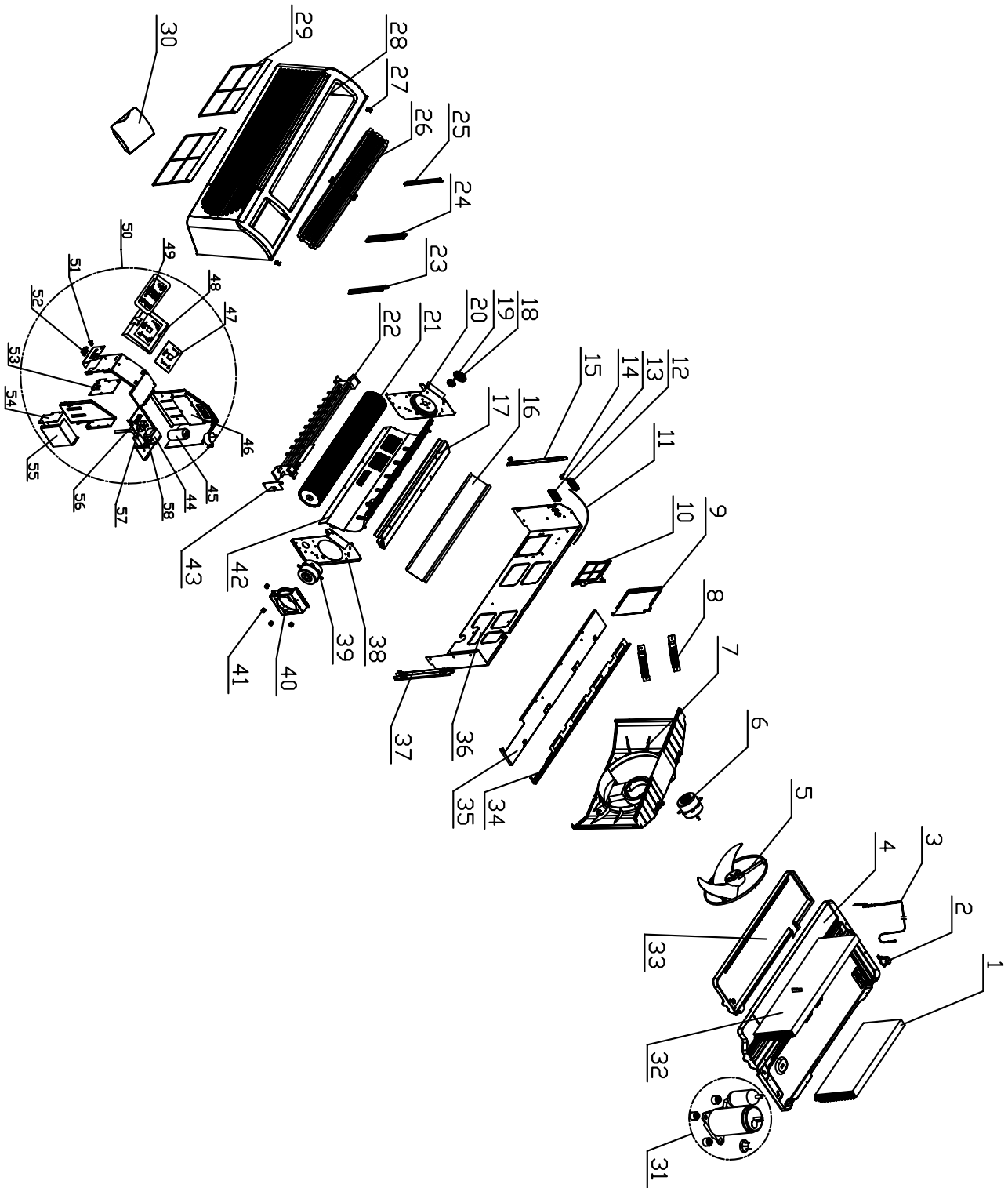
Continued on next page....

REPLACEMENT PARTS: EKTH12-2G

Continued from previous page....

| No. | Part Code | Part Description | Qty. |
|-----------|------------|----------------------------|------|
| 42 | 0144100905 | Air duct sub-assy | 1 |
| 43 | 02111009 | Heater Wiring block board | 1 |
| 44 | 43110269 | Transformer | 1 |
| 45 | 33000017 | Capacitor | 1 |
| 46 | 30032020 | Main PCB1 | 1 |
| 47 | 30542007 | PCB | 1 |
| 48 | 20161239 | Control panel | 1 |
| 49 | 76711007 | Control panel glue gasket | 1 |
| 50 | 01401431 | Electric Box Assy | 1 |
| 51 | 42010037 | Connector 5EHDV-02P | 1 |
| 52 | 42010039S | Connector 5EHDV-07P | 1 |
| 53 | 30032023 | Main PCB2 | 1 |
| 54 | 01251015 | Junction lid | 1 |
| 55 | 01411050 | Junction box | 1 |
| 56 | 42011103 | Terminal Board 2-8 | 2 |
| 57 | 33010020 | Capacitor | 1 |
| 58 | 33010026 | Capacitor CBB61 2.5uF/450V | 1 |
| Not Shown | 12411904 | Indoor Foam Drain Pan | 1 |

EXPLODED VIEW: EKTH15-2G



REPLACEMENT PARTS: EKTH15-2G

| NO. | Part Code | Part Description | qty |
|-----|------------|--------------------------|-----|
| 1 | 01101191 | Condenser Assy | 1 |
| 2 | 07100164 | Drain water valve | 1 |
| 3 | 03001366 | Capillary Sub-Assy | 1 |
| 4 | 01201026P | Chassis Assy | 1 |
| 5 | 10331004 | Axial flow fan | 1 |
| 6 | 150110342 | Motor (out) | 1 |
| 7 | 10371004 | Diversion Circle | 1 |
| 8 | 01381004 | Middle plate | 2 |
| 9 | 01441008 | Air inlet door Sub-assy | 1 |
| 10 | 11121213 | Fresh air filter | 1 |
| 11 | 02121014 | Door thread | 1 |
| 12 | 26231154 | Cover(UP) | 1 |
| 13 | 26231155 | Cover(DOWN) | 1 |
| 14 | 26231153 | Handle | 1 |
| 15 | 01701015 | Bracket assy(L) | 1 |
| 16 | 01471007 | Protect net | 1 |
| 17 | 02121010P | Cochlea tongue | 1 |
| 18 | 02111010 | Bearing board | 1 |
| 19 | 26151138 | Bearing rubber assy | 1 |
| 20 | 02121008P | Air hole left board | 1 |
| 21 | 10351002 | Cross flow fan | 1 |
| 22 | 3200102601 | PTC Heater | 1 |
| 23 | 26111139 | Filter board 1 | 1 |
| 24 | 26111140 | Filter board 2 | 1 |
| 25 | 26111141 | Filter board 3 | 1 |
| 26 | 22411153 | Wind gridiron | 1 |
| 27 | 02111013 | Front panel mtg. clips | 2 |
| 28 | 20001457 | Front Panel | 1 |
| 29 | 11121212 | Filter | 2 |
| 30 | 20121070 | Remote Control Cover | 1 |
| 31 | 00101091 | Compressor and fittings | 1 |
| 32 | 01001285 | Evaporator Assy | 1 |
| 33 | 02121012 | Heat insulation plate | 1 |
| 34 | 01701009 | Up plate bracket | 1 |
| 35 | 01251013 | Top Cover Plate Sub-Assy | 1 |
| 36 | 01231041P | Partition plate | 1 |
| 37 | 01701016 | Bracket assy(R) | 1 |
| 38 | 02121009P | Air hole right board | 1 |
| 39 | 1501180205 | Motor(IN) | 1 |
| 40 | 01701014P | Motor Support Sub-Assy | 1 |
| 41 | 76711031 | Damping rubber | 4 |

Continued on next page....

REPLACEMENT PARTS: EKTH15-2G

Continued from previous page....

| No. | Part Code | Part Description | Qty. |
|-----------|------------|----------------------------|------|
| 42 | 0144100905 | Air duct sub-assy | 1 |
| 43 | 02111009 | Heater Wiring block board | 1 |
| 44 | 43110269 | Transformer | 1 |
| 45 | 33000017 | Capacitor | 1 |
| 46 | 30032020 | Main PCB1 | 1 |
| 47 | 30542007 | PCB | 1 |
| 48 | 20161239 | Control panel | 1 |
| 49 | 76711007 | Control panel glue gasket | 1 |
| 50 | 01401914 | Electric Box Assy | 1 |
| 51 | 42010037 | Connector 5EHDV-02P | 1 |
| 52 | 42010039S | Connector 5EHDV-07P | 1 |
| 53 | 30032023 | Main PCB2 | 1 |
| 54 | 01251015 | Junction lid | 1 |
| 55 | 01411050 | Junction box | 1 |
| 56 | 42011103 | Terminal Board 2-8 | 2 |
| 57 | 33010020 | Capacitor | 1 |
| 58 | 33010026 | Capacitor CBB61 2.5uF/450V | 1 |
| Not Shown | 12411904 | Indoor Foam Drain Pan | 1 |

Due to ongoing product improvements, specifications and dimensions are subject to change and correction without notice or incurring obligations. Determining the application and suitability for use of any product is the responsibility of the installer. Additionally, the installer is responsible for verifying dimensional data on the actual product prior to beginning any installation preparations.

Incentive and rebate programs have precise requirements as to product performance and certification. All products meet applicable regulations in effect on date of manufacture; however, certifications are not necessarily granted for the life of a product. Therefore, it is the responsibility of the applicant to determine whether a specific model qualifies for these incentive/rebate programs.

Comfort-Cire® **Century**

1900 Wellworth Ave., Jackson, MI 49203 • Ph. 517-787-2100 • www.marsdelivers.com

