

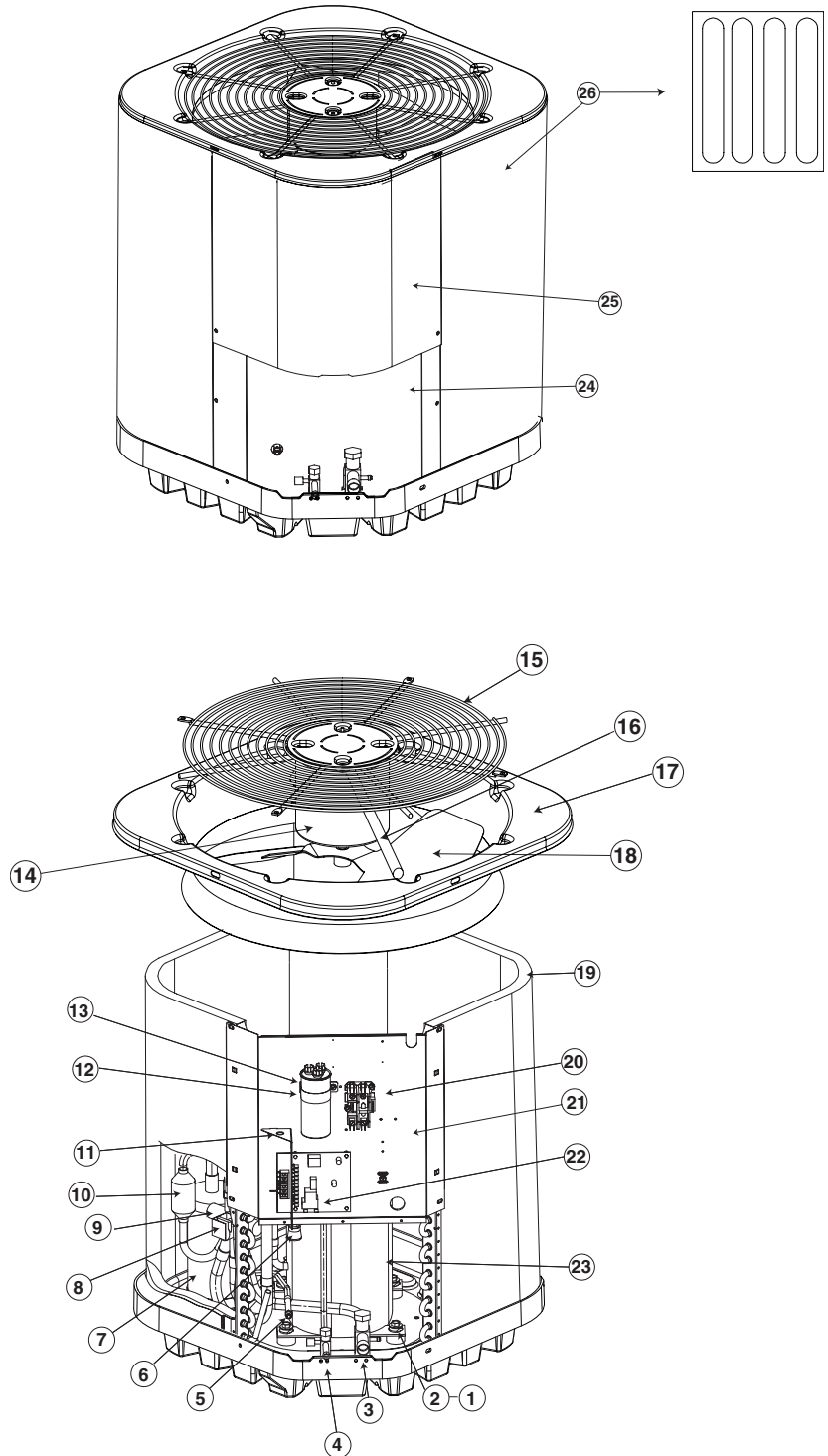
REPLACEMENT PARTS LIST

Residential Split System Heat Pump

HRG13**S1E Series

13 SEER Models

ITEM #	COMPONENT
1	Compressor Bolt
2	Compressor Grommet
3	Refrigerant Valve (LG)
4	Refrigerant Valve (SM)
5	Shrader Valve
6	Swivel Connector
7	Accumulator
8	Reversing Valve Coil
9	Reversing Valve
10	Muffler
11	Low Voltage Divider
12	Capactor Strap
13	Capacitor
14	Outdoor Fan Motor
15	Outdoor Fan Grille
16	Motor Wire Conduit
17	Top Pan
18	Outdoor Fan Blade
19	Outdoor Coil
20	Contactora
21	Control Box
22	Defrost Board
23	Compressor
24	Access Panel
25	Control Box Cover
26	Outdoor Coil Guard



HRG13**S1E Series Residential Split System Heat Pump

COMPONENT	HRG1318S1E	HRG1324S1E	HRG1330S1E	HRG1336S1E	HRG1342S1E	HRG1348S1E	HRG1360S1E
	918541Y	918542Y	918543Y	918544Y	918545Y	918546Y	918547Y
Access Panel	274013Y	274014Y	274015Y	274016Y	274015Y	274016Y	274016Y
Accumulator	668853	668853	668853	668794	668854	668854	668854
Capacitor	01-0082	01-0083	01-0084	01-0085	01-0271	01-0278	01-0279
Compensator Tank					669422	669422	669422
Compressor	921421	921422	921425	921427	921463	921466	921468
Compressor Bolt	600426	600426	600426	600426	600426	600426	600426
Compressor Grommet	668530	668530	668530	668530	668530	668530	668530
Compressor Molded Plug	634660R	634660R	634660R	634660R	634660R	634660R	634660R
Contactora	624712	624712	624712	624712	624712	624713	624714
Control Box	2C3551	2C3551	2C3551	2C3551	2C3551	2C3551	2C3551
Control Box Cover	276921YR	276921YR	276921YR	276921YR	276921YR	276921YR	276921YR
Crankcase Heater	632410	632410	632410	632410	632410	632410	632410
Defrost Board	917178A	917178A	917178A	917178A	917178A	917178A	917178A
Defrost Sensor	626491R	626491R	626491R	626491R	626491R	626491R	626491R
Distributor	664717R	664717R	664717R	664718R	664719R	664719R	664719R
Filter Drier	669762	669762	669762	669762	669761	669761	669761
High Pressure Switch	632473R	632473R	632473R	632473R	632473R	632473R	632473R
Low Voltage Divider	258791	258791	258791	258791	258791	258791	258791
Motor Wire Conduit	664290	664290	664290	664290	664290	664290	664290
Muffler	669546R	669546R	669546R	669546R	669546R	669546R	669546R
Outdoor Coil	2C3321RD	2C3291RD	2C3301RD	2C3331RD	2C3311RD	2C3341RD	2C3341RD
Outdoor Coil Guard	2C4403R	2C4404R	2C4405R	2C4406R	2C4405R	2C4406R	2C4406R
Outdoor Fan Blade	667383	667383	667383	667383	667383	667383	667383
Outdoor Fan Grille	669335R	669335R	669335R	669335R	669335R	669335R	669335R
Outdoor Fan Motor	622080	622080	622080	622080	622066	622066	622066
Refrigerant Valve (LG)	663864R	663864R	663864R	663865R	663865R	663865R	663865R
Refrigerant Valve (SM)	664509R	664509R	664509R	664509R	664509R	664509R	664509R
Reversing Valve	669465R	669465R	669465R	M0079102	M0079102	M0079102	M0079102
Reversing Valve Coil	669470R	669470R	669470R	669937R	669937R	669937R	669937R
Schrader Fitting	664423	664423	664423	664423	664423	664423	664423
Top Pan	496162YR	496162YR	496162YR	496162YR	496162YR	496162YR	496162YR
Valve Core	662103R	662103R	662103R	662103R	662103R	662103R	662103R

Please specify the correct Model No., Serial No. & part number(s) when ordering parts from the nearest authorized dealer or service center.

HEAT CONTROLLER, INC.



Specifications & illustrations subject to change without notice or incurring obligations.
Jackson, MI | Printed in U.S.A. (01/13)

7094890 (NEW)