

This Owner's Manual is provided and hosted by [Appliance Factory Parts](#).



COMFORT-AIRE AHCG120A-ZM Owner's Manual

[Shop genuine replacement parts for COMFORT-AIRE
AHCG120A-ZM](#)



[Find Your COMFORT-AIRE HVAC Parts - Select From 1486 Models](#)

----- Manual continues below -----

HEAT CONTROLLER, INC.

AHCG

Parts List
29-March-2012



This parts list is current as of the above revision date.

Form Number: 92-42810-AHCG

Table of Contents

| | |
|------------------------------|---------|
| Model Explanation | Page 3 |
| Parts Numbers | |
| Panels - Miscellaneous | Page 4 |
| Blower Group 090 | Page 5 |
| Blower Group 120 | Page 6 |
| Blower Group 180-240 | Page 7 |
| Coil Parts | Page 8 |
| Drawings/Photographs | |
| Exploded View 090-120 | Page 9 |
| Exploded View 180-240 | Page 10 |
| Notes | Page 11 |

MODEL NUMBER EXPLANATION

| | | | | | | | | | | |
|----------|----------|----------|----------|----------|----------|----------|----------|----------|----------|----------|
| A | H | C | G | 1 | 2 | 0 | A | - | H | K |
| 1 | | | 2 | | | 3 | | | | |

- (1) **SERIES**
- (2) **COOLING CAPACITY**
 090 = 7.5 Tons
 120 = 10 Tons
 180 = 15.0 Tons
 240 = 20.0 Tons
- (3) **OPTIONS**

SERIAL NUMBER EXPLANATION

| | | | | | | | | | | | | |
|----------|----------|----------|----------|----------|----------|----------|----------|----------|----------|----------|----------|----------|
| 0 | 6 | 0 | F | 0 | 1 | 9 | 2 | 9 | 9 | 9 | 9 | 9 |
| 1 | | 2 | 3 | 4 | 5 | | | | | | | |

- 1 **DRIVE COMPONENTS**
- 2 **PRODUCTION LOCATION**
F = Ft. Smith, AR
- 3 **WEEK OF PRODUCTION**
- 4 **YEAR OF PRODUCTION**
- 5 **PRODUCTION NUMBER**

| No. | Notes | MODEL COOLING CAPACITY VARIATIONS | AHCG 090 ALL | AHCG 120 ALL |
|------------------------------------|-------|---|--------------------|--------------------|
| PANELS, MISCELLANEOUS PARTS | | | | |
| 1 | | Floor Pan w/Insulation | AS-90440-01C | AS-90440-01C |
| 2 | | Center Post w/Insulation (2) | AS-90440-03C | AS-90440-03C |
| 3 | | Corner Post w/Insulation (2) | AS-90440-04C | AS-90440-04C |
| 4 | | Duct Flange Outlet | AE-76847-01 | AE-76847-01 |
| 5 | | Drain Pan | See Coil Group | |
| 6 | | Access Panel w/Insulation (2) | AS-90440-10C | AS-90440-10C |
| 7 | | Access Panel w/Insulation (2) | AS-90440-11C | AS-90440-11C |
| 8 | | Inlet Cap w/ Insulation (2) | AS-90440-12C | AS-90440-12C |
| 9a | | Top Pan Insulation Assembly | AS-78097-01C | AS-78097-01C |
| 9b | | Top Pan Insulation Assembly | AS-78096-01C | AS-78096-01C |
| 20 | | Top Filter Channel | AE-90373-01 | AE-90373-01 |
| 22 | | Filter Rack | AS-90459-01 | AS-90459-01 |
| 23 | | Hitch Pin Clip (2) | 63-20878-01 | 63-20878-01 |
| | | Filter Block-Off | AE-90379-01 | AE-90379-01 |
| 24 | | Filter Retainer Plate | AE-90377-01 | AE-90377-01 |
| 25 | | Filter - Disposable (4) | 54-17531-10 | 54-17531-10 |
| 35 | | Junction Box | AS-90472-01 | AS-90472-01 |

| No. | Notes | MODEL COOLING CAPACITY VARIATIONS | AHCG 180 ALL | AHCG 240 ALL |
|------------------------------------|-------|---|--------------------|--------------------|
| PANELS, MISCELLANEOUS PARTS | | | | |
| 1a | | Floor Pan w/ Insulation - Left | AS-90389-02C | AS-90389-02C |
| 1b | | Floor Pan w/ Insulation - Right | AS-90389-01C | AS-90389-01C |
| 2 | | Center Post w/ Insulation (2) | AS-90389-04C | AS-90389-04C |
| 3 | | Corner Post w/ Insulation (2) | AS-90389-05C | AS-90389-05C |
| 4 | | Duct Flange Outlet | AE-90196-01 | AE-90196-01 |
| 5 | | Drain Pan | See Coil Group | |
| 6 | | Access Panel w/ Insulation (4) | AS-90389-12C | AS-90389-12C |
| 8 | | Inlet Cap w/ Insulation (2) | AS-90389-13C | AS-90389-13C |
| 10 | | Top Rail - Right | AS-90389-07C | AS-90389-07C |
| 11 | | Top Rail - Left | AS-90389-08C | AS-90389-08C |
| 12 | | Top Pan - Front | AS-90389-09C | AS-90389-09C |
| 13 | | Top Pan - Rear | AS-90389-10C | AS-90389-10C |
| 14 | | Top Pan - Center | AS-90389-11C | AS-90389-11C |
| 15 | | Motor Mounting Plate | AE-90199-01 | AE-90199-01 |
| 16 | | Motor Plate - Bottom | AS-71955-01 | AS-71955-02 |
| 17 | | Motor Plate - Top | AE-90211-01 | AE-90211-01 |
| 20 | | Top Filter Channel | AS-90416-01 | AS-90416-01 |
| 21 | | Bottom Filter Channel | AE-90206-01 | AE-90206-01 |
| 22 | | Center Filter Support (2) | AE-90208-01 | AE-90208-01 |
| 23 | | Hitch Pin Clip (2) | 63-20878-01 | 63-20878-01 |
| 24 | | Filter Retainer Plate | AE-90209-01 | AE-90209-01 |
| 25 | | Filter Disposable (6) | 54-17531-06 | 54-17531-06 |

| No. | Notes | MODEL COOLING CAPACITY VARIATIONS | AHCG 090 A-HK | AHCG 090 A-YK | AHCG 090 A-YL |
|---------------------|-------|---|---------------------|---------------------|---------------------|
| BLOWER GROUP | | | | | |
| 26 | Stk | Blower Assembly (Includes all items listed below except Blower Plate) | AS-90451-01 | AS-90444-05 | AS-90444-06 |
| 27 | | Blower Housing | AS-77539-02 | AS-77539-02 | AS-77539-02 |
| 28 | | Blower Plate w/Insulation | AS-90440-02C | AS-90440-02C | AS-90440-02C |
| 29 | Stk | Bearing w/cushion (2) | 70-41911-01 | 70-41911-01 | 70-41911-01 |
| | Stk | Blower Wheel | 70-41512-01 | 70-41512-01 | 70-41512-01 |
| | | Cut Off | AE-72264-03 | AE-72264-03 | AE-72264-03 |
| 30 | Stk | Shaft-Blower | 70-41900-02 | 70-41900-02 | 70-41900-02 |
| | | Motor Support | AS-70423-05 | AS-70423-05 | AS-70423-05 |
| 31 | Stk | Sheave - Fixed | 71-41901-30 | 71-41901-30 | 71-41901-30 |
| | | Key Shaft | 94-42551-08 | 94-42551-08 | 94-42551-08 |
| 32 | Stk | Belt | 71-17033-49 | 71-17033-53 | 71-17033-53 |
| 33 | | Blower Support (2) | AE-90369-01 | AE-90369-01 | AE-90369-01 |
| 36 | Stk | Blower Motor | 51-40638-01 | 51-42177-09 | 51-42177-10 |
| | Stk | Sheave - Variable | 71-40427-41 | 71-40427-25 | 71-42538-05 |
| | | Motor Mounting Bracket | AE-72344-01 | AE-72344-01 | AE-72344-01 |
| 38 | | Motor Adjustment Piece | AE-70411-01 | AE-70411-01 | AE-70411-01 |
| 39 | | Bearing Frame Assembly - Tri-Arm | 70-41723-02 | 70-41723-02 | 70-41723-02 |

| No. | Notes | MODEL COOLING CAPACITY VARIATIONS | AHCG 090 A-YM | AHCG 090 A-ZK | AHCG 090 A-ZL | AHCG 090 A-ZM |
|---------------------|-------|---|---------------------|---------------------|---------------------|---------------------|
| BLOWER GROUP | | | | | | |
| 26 | Stk | Blower Assembly (Includes all items listed below except Blower Plate) | AS-90444-07 | AS-90444-02 | AS-90444-03 | AS-90444-04 |
| 27 | | Blower Housing | AS-77539-02 | AS-77539-02 | AS-77539-02 | AS-77539-02 |
| 28 | | Blower Plate | AS-90440-02C | AS-90440-02C | AS-90440-02C | AS-90440-02C |
| 29 | Stk | Bearing (2) | 70-41911-01 | 70-41911-01 | 70-41911-01 | 70-41911-01 |
| | Stk | Blower Wheel | 70-41512-01 | 70-41512-01 | 70-41512-01 | 70-41512-01 |
| | | Cut Off | AE-72264-03 | AE-72264-03 | AE-72264-03 | AE-72264-03 |
| 30 | Stk | Shaft-Blower | 70-41900-02 | 70-41900-02 | 70-41900-02 | 70-41900-02 |
| | | Motor Support | AS-70423-05 | AS-70423-05 | AS-70423-05 | AS-70423-05 |
| 31 | Stk | Sheave - Fixed | 71-41901-30 | 71-41901-30 | 71-41901-30 | 71-41901-30 |
| | | Key Shaft | 94-42551-08 | 94-42551-08 | 94-42551-08 | 94-42551-08 |
| 32 | Stk | Belt | 71-17033-55 | 71-17033-53 | 71-17033-53 | 71-17033-55 |
| 33 | | Blower Support (2) | AE-90369-01 | AE-90369-01 | AE-90369-01 | AE-90369-01 |
| 36 | Stk | Blower Motor | 51-42177-10 | 51-42368-02 | 51-42369-02 | 51-42369-02 |
| | Stk | Sheave - Variable | 71-40427-54 | 71-40427-25 | 71-42538-05 | 71-40427-54 |
| | | Motor Mounting Bracket | AE-72344-01 | AE-72344-01 | AE-72344-01 | AE-72344-01 |
| 38 | | Motor Adjustment Piece | AE-70411-01 | AE-70411-01 | AE-70411-01 | AE-70411-01 |
| 39 | | Bearing Frame Assembly - Tri-Arm | 70-41723-02 | 70-41723-02 | 70-41723-02 | 70-41723-02 |

| No. | Notes | MODEL NOMINAL CAPACITY DRIVE PACKAGE | AHCG 120 A-HK | AHCG 120 A-YK | AHCG 120 A-YL |
|---------------------|-------|---|---------------------|---------------------|---------------------|
| BLOWER GROUP | | | | | |
| 26 | Stk | Blower Assembly (Includes all items listed below except Blower Plate) | AS-90451-02 | AS-90444-12 | AS-90444-13 |
| 27 | | Blower Housing | AS-77539-02 | AS-77539-02 | AS-77539-02 |
| 28 | | Blower Plate w/Insulation | AS-90440-02C | AS-90440-02C | AS-90440-02C |
| 29 | Stk | Bearing | 70-41911-01 | 70-41911-01 | 70-41911-01 |
| | Stk | Blower Wheel | 70-41512-01 | 70-41512-01 | 70-41512-01 |
| | | Cut Off | AE-72264-03 | AE-72264-03 | AE-72264-03 |
| 30 | Stk | Shaft-Blower | 70-41900-02 | 70-41900-02 | 70-41900-02 |
| | | Motor Support | AS-70423-05 | AS-70423-05 | AS-70423-05 |
| 31 | Stk | Sheave - Fixed | 71-41901-29 | 71-41901-30 | 71-41901-30 |
| | | Key Shaft | 94-42551-08 | 94-42551-08 | 94-42551-08 |
| 32 | Stk | Belt | 71-17033-48 | 71-17033-54 | 71-17033-54 |
| 33 | | Blower Support (2) | AE-90369-01 | AE-90369-01 | AE-90369-01 |
| 36 | Stk | Blower Motor | 51-41949-01 | 51-42177-10 | 51-42178-09 |
| | Stk | Sheave - Variable | 71-40427-41 | 71-40427-43 | 71-40427-19 |
| | | Motor Mounting Bracket | AE-72344-01 | AE-72344-01 | AE-72344-01 |
| 38 | | Motor Adjustment Piece | AE-70411-01 | AE-70411-01 | AE-70411-01 |
| 39 | | Bearing Frame Assembly - Tri-Arm | 70-41723-02 | 70-41723-02 | 70-41723-02 |

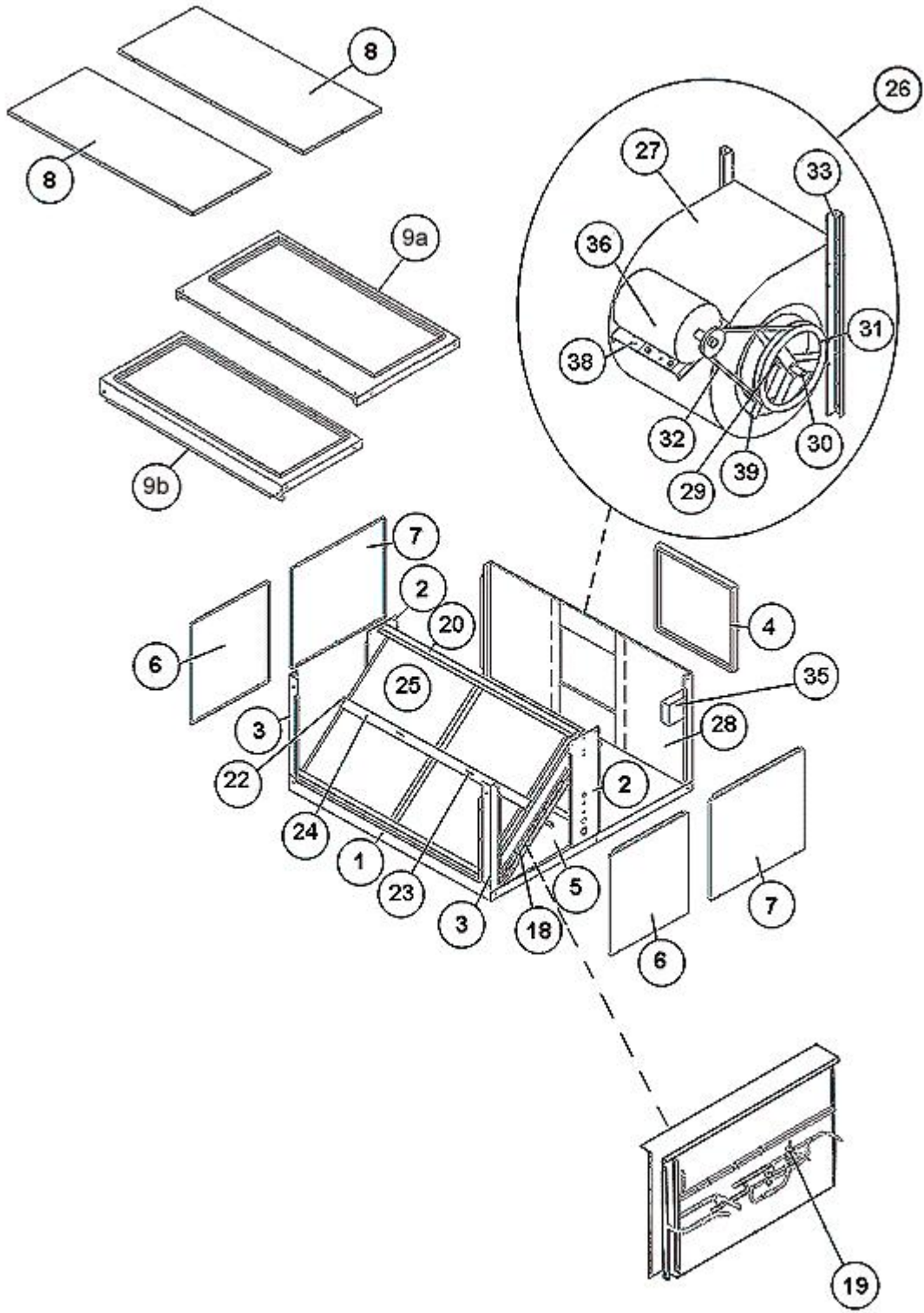
| No. | Notes | MODEL COOLING CAPACITY VARIATIONS | AHCG 120 A-YM | AHCG 120 A-ZK | AHCG 120 A-ZL | AHCG 120 A-ZM |
|---------------------|-------|---|---------------------|---------------------|---------------------|---------------------|
| BLOWER GROUP | | | | | | |
| 26 | Stk | Blower Assembly (Includes all items listed below except Blower Plate) | AS-90444-14 | AS-90444-09 | AS-90444-10 | AS-90444-11 |
| 27 | | Blower Housing | AS-77539-02 | AS-77539-02 | AS-77539-02 | AS-77539-02 |
| 28 | | Blower Plate w/Insulation | AS-90440-02C | AS-90440-02C | AS-90440-02C | AS-90440-02C |
| 29 | Stk | Bearing (2) | 70-41911-01 | 70-41911-01 | 70-41911-01 | 70-41911-01 |
| | Stk | Blower Wheel | 70-41512-01 | 70-41512-01 | 70-41512-01 | 70-41512-01 |
| | | Cut Off | AE-72264-03 | AE-72264-03 | AE-72264-03 | AE-72264-03 |
| 30 | Stk | Shaft-Blower | 70-41900-02 | 70-41900-02 | 70-41900-02 | 70-41900-02 |
| | | Motor Support | AS-70423-05 | AS-70423-05 | AS-70423-05 | AS-70423-05 |
| 31 | Stk | Sheave - Fixed | 71-41901-30 | 71-41901-30 | 71-41901-30 | 71-41901-30 |
| | | Key Shaft | 94-42551-08 | 94-42551-08 | 94-42551-08 | 94-42551-08 |
| 32 | Stk | Belt | 71-17033-55 | 71-17033-54 | 71-17033-54 | 71-17033-55 |
| 33 | | Blower Support (2) | AE-90369-01 | AE-90369-01 | AE-90369-01 | AE-90369-01 |
| 36 | Stk | Blower Motor | 51-42177-08 | 51-42369-02 | 51-42370-02 | 51-42371-01 |
| | Stk | Sheave - Variable | 71-40427-23 | 71-40427-43 | 71-40427-19 | 71-40427-23 |
| | | Motor Mounting Bracket | AE-72344-01 | AE-72344-01 | AE-72344-01 | AE-72344-01 |
| 38 | | Motor Adjustment Piece | AE-70411-01 | AE-70411-01 | AE-70411-01 | AE-70411-01 |
| 39 | | Bearing Frame Assembly - Tri-Arm | 70-41723-02 | 70-41723-02 | 70-41723-02 | 70-41723-02 |

| No. | Notes | MODEL NOMINAL CAPACITY DRIVE PACKAGE | AHCG 180 A-YK | AHCG 180 A-YL | AHCG 180 A-ZK | AHCG 180 A-ZL | AHCG 180 A-ZM |
|---------------------|-------|--|---------------------|---------------------|---------------------|---------------------|---------------------|
| BLOWER GROUP | | | | | | | |
| 26 | Stk | Blower Assembly (Does not include Blower Plate, Belt, Junction Box, Motor and Variable Sheave) | AS-90973-01 | AS-90973-01 | AS-90973-01 | AS-90973-01 | AS-90973-02 |
| 27 | | Blower Housing | AS-90971-01 | AS-90971-01 | AS-90971-01 | AS-90971-01 | AS-90971-01 |
| 28 | | Blower Plate | AE-90857-01 | AE-90857-01 | AE-90857-01 | AE-90857-01 | AE-90857-01 |
| 29 | Stk | Bearing (2) | 70-41854-02 | 70-41854-02 | 70-41854-02 | 70-41854-02 | 70-41854-02 |
| | | Bearing Bracket (2) | 70-42284-04 | 70-42284-04 | 70-42284-04 | 70-42284-04 | 70-42284-04 |
| | Stk | Blower Wheel | 70-42682-02 | 70-42682-02 | 70-42682-02 | 70-42682-02 | 70-42682-02 |
| 30 | | Shaft - Blower | 70-41900-06 | 70-41900-06 | 70-41900-06 | 70-41900-06 | 70-41900-06 |
| 31 | Stk | Sheave - Fixed | 71-41901-11 | 71-41901-11 | 71-41901-11 | 71-41901-11 | 71-41901-13 |
| | | Key - Shaft (2) | AE-72654-01 | AE-72654-01 | AE-72654-01 | AE-72654-01 | AE-72654-01 |
| 32 | Stk | Belt | 71-40438-24 | 71-40438-24 | 71-40438-24 | 71-40438-24 | 71-40438-17 |
| 33 | | Blower Support (2) | AE-90858-01 | AE-90858-01 | AE-90858-01 | AE-90858-01 | AE-90858-01 |
| 35 | | Junction Box Assembly | AS-90472-01 | AS-90472-01 | AS-90472-01 | AS-90472-01 | AS-90472-01 |
| 36 | Stk | Motor | 51-42178-09 | 51-42177-08 | 51-42370-02 | 51-42371-02 | 51-42177-13 |
| 37 | Stk | Sheave - Variable | 71-42538-02 | 71-40427-17 | 71-42538-02 | 71-40427-17 | 71-42538-03 |

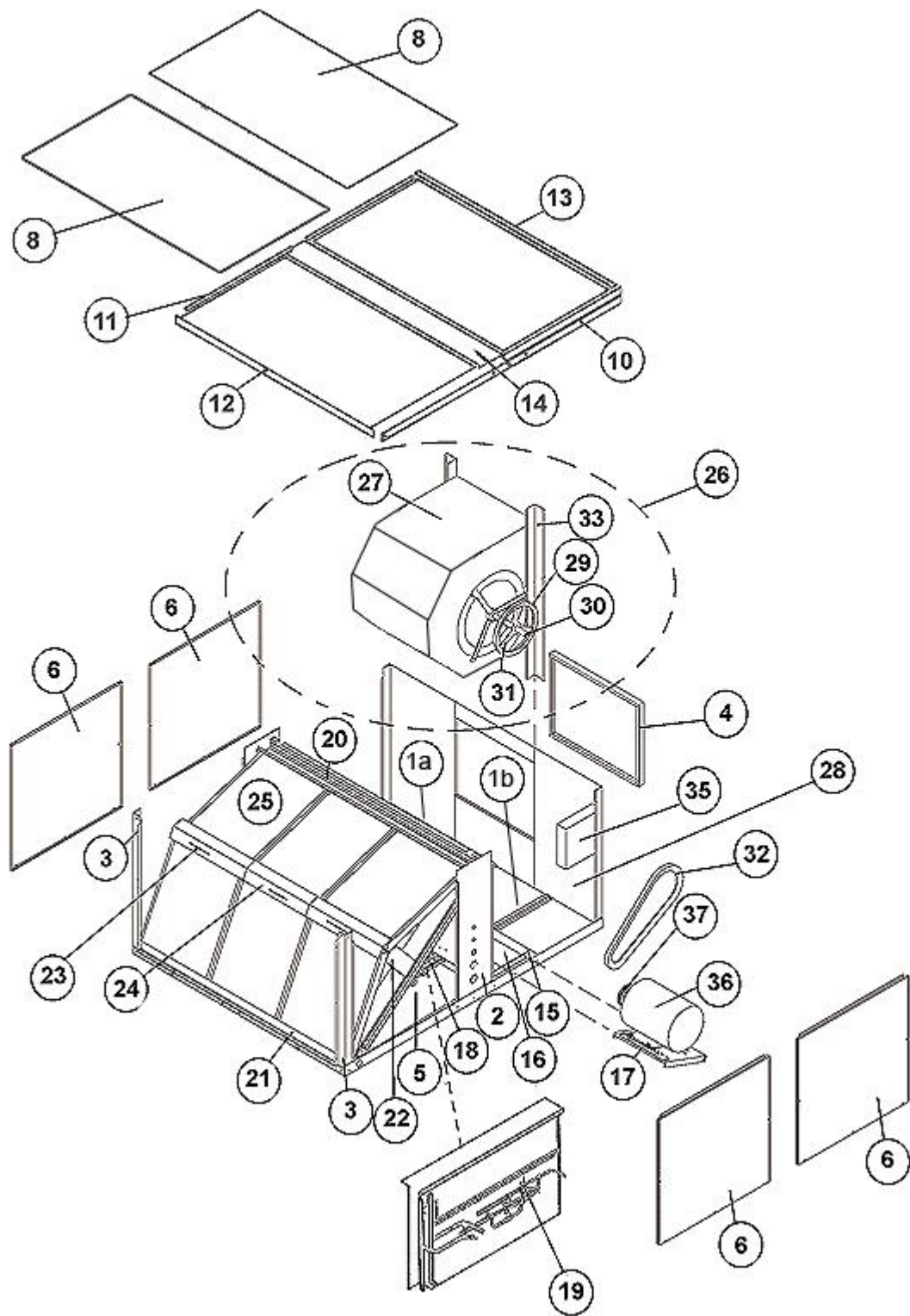
| No. | Notes | MODEL NOMINAL CAPACITY DRIVE PACKAGE | AHCG 240 A-YK | AHCG 240 A-YL | AHCG 240 A-ZK | AHCG 240 A-ZL | AHCG 240 A-ZM |
|---------------------|-------|--|---------------------|---------------------|---------------------|---------------------|---------------------|
| BLOWER GROUP | | | | | | | |
| 26 | Stk | Blower Assembly (Does not include Blower Plate, Belt, Junction Box, Motor and Variable Sheave) | AS-90974-01 | AS-90974-02 | AS-90974-01 | AS-90974-02 | AS-90974-03 |
| 27 | | Blower Housing | AS-90972-01 | AS-90972-01 | AS-90972-01 | AS-90972-01 | AS-90972-01 |
| 28 | | Blower Plate | AE-90857-01 | AE-90857-01 | AE-90857-01 | AE-90857-01 | AE-90857-01 |
| 29 | Stk | Bearing (2) | 70-41854-02 | 70-41854-02 | 70-41854-02 | 70-41854-02 | 70-41854-02 |
| | | Bearing Bracket (2) | 70-42284-04 | 70-42284-04 | 70-42284-04 | 70-42284-04 | 70-42284-04 |
| | Stk | Blower Wheel | 70-42682-01 | 70-42682-01 | 70-42682-01 | 70-42682-01 | 70-42682-01 |
| 30 | Stk | Shaft - Blower | 70-41900-05 | 70-41900-05 | 70-41900-05 | 70-41900-05 | 70-41900-05 |
| 31 | Stk | Sheave - Fixed | 71-41901-11 | 71-41901-22 | 71-41901-11 | 71-41901-22 | 71-41901-19 |
| | | Key - Shaft (2) | AE-72654-01 | AE-72654-01 | AE-72654-01 | AE-72654-01 | AE-72654-01 |
| 32 | Stk | Belt | 71-40438-22 | 71-41764-05 | 71-40438-22 | 71-41764-05 | 71-41764-06 |
| 33 | | Blower Support (2) | AE-90858-01 | AE-90858-01 | AE-90858-01 | AE-90858-01 | AE-90858-01 |
| 35 | | Junction Box Assembly | AS-90472-01 | AS-90472-01 | AS-90472-01 | AS-90472-01 | AS-90472-01 |
| 36 | Stk | Motor | 51-42574-01 | 51-42178-12 | 51-42177-13 | 51-42177-06 | 51-42177-06 |
| 37 | Stk | Sheave - Variable | 71-40427-06 | 71-40428-34 | 71-40427-06 | 71-40428-34 | 71-40428-34 |

| No. | Notes | MODEL COOLING CAPACITY VARIATIONS | AHCG 090 ALL | AHCG 120 ALL |
|-------------------|-------|---|--------------------|--------------------|
| COIL GROUP | | | | |
| 5 | Stk | Drain Pan | AS-90442-01C | AS-90442-01C |
| 18 | Stk | Evaporator Coil w/TXV | AS-90902-05 | AS-90902-06 |
| 19 | Stk | TXV w/Distributor (2) | 61-42662-07 | 61-42662-08 |
| | | Drip Rail | AE-90471-01 | AE-90471-01 |

| No. | Notes | MODEL COOLING CAPACITY VARIATIONS | AHCG 180 ALL | AHCG 240 ALL |
|-------------------|-------|---|--------------------|--------------------|
| COIL GROUP | | | | |
| 5 | Stk | Drain Pan | AS-90402-01C | AS-90402-01C |
| 18 | Stk | Evaporator Coil w/ TX Valve | AS-90902-07 | AS-90902-08 |
| 19 | Stk | TX Valve Assembly w/ Dist (2) | 61-42662-09 | 61-42662-10 |



Exploded View 090-120



Exploded View 180-240

NOTES

Stk It is recommended that stock be maintained for this part.
N/A Not Applicable