

This Owner's Manual is provided and hosted by [Appliance Factory Parts](#).



# COMFORT-AIRE GLUA120E-5B Owner's Manual

[Shop genuine replacement parts for COMFORT-AIRE  
GLUA120E-5B](#)



[Find Your COMFORT-AIRE HVAC Parts - Select From 1487 Models](#)

----- Manual continues below part list -----

## Available Replacement Parts for COMFORT-AIRE GLUA120E-5B

|                             |                                    |
|-----------------------------|------------------------------------|
| <a href="#">68-24048-01</a> | TRAP, CONDENSATE                   |
| <a href="#">70-20602-01</a> | WHEEL, BLOWER **Revision to Part** |
| <a href="#">68-23473-01</a> | PVC VANE                           |

# GLUA

Parts List  
07-January-2008



*This parts list is current as of the above revision date.*

Form Number: 92-42810-GLUA

# Table of Contents

|                                    |         |
|------------------------------------|---------|
| Model Explanation .....            | Page 3  |
| Parts Numbers                      |         |
| Panels - Miscellaneous 04-07 ..... | Page 4  |
| Panels - Miscellaneous 07-12 ..... | Page 5  |
| Electrical Group .....             | Page 6  |
| Blower Group .....                 | Page 7  |
| Heat Exchanger-Burner Group .....  | Page 8  |
| Gas Controls .....                 | Page 9  |
| Orifice Selection Chart .....      | Page 10 |
| Drawings/Photographs               |         |
| Exploded View .....                | Page 11 |
| Drain Trap Parts .....             | Page 12 |
| Blower Assembly .....              | Page 12 |
| Burner Assembly .....              | Page 13 |
| Notes .....                        | Page 14 |

**MODEL NUMBER EXPLANATION**

|          |          |          |          |          |          |          |          |          |          |
|----------|----------|----------|----------|----------|----------|----------|----------|----------|----------|
| <b>G</b> | <b>L</b> | <b>U</b> | <b>A</b> | <b>-</b> | <b>5</b> | <b>0</b> | <b>E</b> | <b>3</b> | <b>A</b> |
| <b>1</b> | <b>2</b> | <b>3</b> | <b>4</b> |          |          | <b>5</b> |          | <b>6</b> | <b>7</b> |

- (1) **GAS**
- (2) **90% EFFICIENCY**
- (3) **UPFLOW/HORIZONTAL CONDENSING**
- (4) **PLACEHOLDER**
- (5) **HEATING INPUT DESIGNATION**  
 40 = 45,000 BTU/HR  
 60 = 60,000 BTU/HR  
 75 = 75,000 BTU/HR  
 90 = 90,000 BTU/HR  
 105 = 105,000 BTU/HR  
 120 = 120,000 BTU/HR  
 E = Electric  
 N = NOX
- (6) **DRIVE NOMINAL COOLING/REVISION LEVEL**  
 3 = 3 Ton  
 4 = 4 Ton  
 5 = 5 Ton
- (7) **REVISION LEVEL**

**SERIAL NUMBER EXPLANATION**

|          |          |          |          |          |          |          |          |          |           |          |          |          |          |          |          |
|----------|----------|----------|----------|----------|----------|----------|----------|----------|-----------|----------|----------|----------|----------|----------|----------|
| <b>G</b> | <b>Y</b> | <b>5</b> | <b>D</b> | <b>7</b> | <b>0</b> | <b>2</b> | <b>F</b> | <b>3</b> | <b>1</b>  | <b>0</b> | <b>7</b> | <b>9</b> | <b>9</b> | <b>9</b> | <b>9</b> |
| <b>1</b> | <b>2</b> | <b>3</b> | <b>4</b> | <b>5</b> | <b>6</b> | <b>7</b> | <b>8</b> | <b>9</b> | <b>10</b> |          |          |          |          |          |          |

- |          |                                 |           |                          |
|----------|---------------------------------|-----------|--------------------------|
| <b>1</b> | <b>GAS CODE</b>                 | <b>6</b>  | <b>MOTOR HORSEPOWER</b>  |
| <b>2</b> | <b>LIMIT CONTROL</b>            | <b>7</b>  | <b>PLANT</b>             |
| <b>3</b> | <b>BLOWER</b>                   | <b>8</b>  | <b>WEEK</b>              |
| <b>4</b> | <b>HEATING ELEMENT</b>          | <b>9</b>  | <b>YEAR</b>              |
| <b>5</b> | <b>SPECIAL AREA REQUIREMENT</b> | <b>10</b> | <b>PRODUCTION NUMBER</b> |

| No.                                       | Notes | MODEL<br>HEATING INPUT<br>VARIATIONS      | GLUA<br>45E<br>3B        | GLUA<br>60E<br>3B | GLUA<br>75E<br>3B | GLUA<br>75E<br>4B |
|---|-------|---|--------------------------|-------------------|-------------------|-------------------|
| <b>PANELS, SHEET METAL, MISCELLANEOUS</b> |       |   |                          |                   |                   |                   |
| 1   |       | Blower/Filter Door                        | AS-67890-11              | AS-67890-11       | AS-67890-11       | AS-67891-11       |
| 2   |       | Burner Compartment Door                   | AS-61866-09              | AS-61866-09       | AS-61866-09       | AS-61867-09       |
|   |       | Sight Glass                               | 68-21893-03              | 68-21893-03       | 68-21893-03       | 68-21893-03       |
| 3   |       | Pressure Switch                           | See Electrical Group     |                   |                   |                   |
| 4   |       | Silicone Tubing (Pressure Switch)         | AE-61737-23              | AE-61737-23       | AE-61737-23       | AE-61737-23       |
| 5   |       | Trap/Elbow Assembly                       | 68-24048-01              | 68-24048-01       | 68-24048-01       | 68-24048-01       |
| 6   |       | Hose Clamps (6)                           | 64-22043-02              | 64-22043-02       | 64-22043-02       | 64-22043-02       |
| 7   |       | Water Trap Mount Bracket                  | AE-61841-01              | AE-61841-01       | AE-61841-01       | AE-61841-01       |
| 8   |       | Tubing                                    | 79-25353-82              | 79-25353-82       | 79-25353-82       | 79-25353-82       |
| 9   |       | Induced Draft Blower w/Gasket             | See Electrical Group     |                   |                   |                   |
| 10  |       | Gasket - Induced Draft Blower             | 68-24016-01              | 68-24016-01       | 68-24016-01       | 68-24016-01       |
| 11  |       | Silicone Tubing (Pressure Switch)         | AE-61737-02              | AE-61737-02       | AE-61737-02       | AE-61737-02       |
| 12  |       | Pressure Switch                           | See Electrical Group     |                   |                   |                   |
| 13  |       | Blower Assembly                           | See Blower Group         |                   |                   |                   |
| 14  |       | Door Switch - Push Button                 | See Electrical Group     |                   |                   |                   |
| 15  |       | Junction Box                              | AE-61475-02              | AE-61475-02       | AE-61475-02       | AE-61475-02       |
| 16  |       | Junction Box Cover                        | AE-61476-02              | AE-61476-02       | AE-61476-02       | AE-61476-02       |
|   |       | Wiring Harnesses                          | See Electrical Group     |                   |                   |                   |
| 21  |       | Button Plug (2-1/2 in.)                   | 45-22980-03              | 45-22980-03       | 45-22980-03       | 45-22980-03       |
| 22  |       | Button Plug (2 in.)                       | 45-22980-08              | 45-22980-08       | 45-22980-08       | 45-22980-08       |
| 23  |       | Jacket                                    | AS-61820-04              | AS-61820-04       | AS-61820-04       | AS-61820-06       |
| 24  |       | Baffle                                    | AE-61876-02              | AE-61875-02       | AE-61875-02       | AE-61876-02       |
| 25  |       | Rear Baffle                               | AE-61878-01              | AE-61878-01       | AE-61878-01       | AE-61878-02       |
| 26  |       | Baffle                                    | AE-61886-01              | AE-61875-01       | AE-61875-01       | AE-61876-01       |
| 30  |       | Outlet Air Pipe                           | 68-24021-01              | 68-24021-01       | 68-24021-01       | 68-24021-01       |
| 31  |       | Outlet Air Pipe Gasket                    | 68-24022-02              | 68-24022-02       | 68-24022-02       | 68-24022-02       |
| 32  |       | Top Plate                                 | AS-61872-01              | AS-61872-01       | AS-61872-01       | AS-61872-02       |
| 33  |       | Vinyl Grommet - 2 in.                     | 56-22114-06              | 56-22114-06       | 56-22114-06       | 56-22114-06       |
| 34  |       | Heat Exchanger Assembly                   | See Heat Exchanger Group |                   |                   |                   |
| 35  |       | Limit - Main Limit (Heat Exchanger Panel) | See Heat Exchanger Group |                   |                   |                   |
| 37  |       | Connector/Transition                      | 68-24047-07              | 68-24047-07       | 68-24047-07       | 68-24047-08       |
| 38  |       | Elbow                                     | 68-24013-01              | 68-24013-01       | 68-24013-01       | 68-24013-01       |
| 39  |       | Tubing                                    | 79-25353-82              | 79-25353-82       | 79-25353-82       | 79-25353-82       |
| 44  |       | Capacitor - Blower Motor                  | See Blower Group         |                   |                   |                   |
| 45  |       | Capacitor - Induced Draft Blower          | See Electrical Group     |                   |                   |                   |
| 46  |       | Control Mounting Plate                    | AE-67877-01              | AE-67877-01       | AE-67877-01       | AE-67877-01       |
| 47  |       | Integrated Furnace Control Board (IFC)    | See Gas Controls         |                   |                   |                   |
| 48  |       | Transformer                               | See Electrical Group     |                   |                   |                   |
| 57  |       | Gas Valve                                 | See Gas Controls         |                   |                   |                   |
| 59  |       | Ignitor Bracket                           | See Gas Controls         |                   |                   |                   |
| 60  |       | Ignitor                                   | See Gas Controls         |                   |                   |                   |

| No.              | Notes | MODEL<br>HEATING INPUT<br>VARIATIONS                            | GLUA<br>ALL<br>ALL |  |  |  |
|------------------|-------|---|--------------------|--|--|--|
| <b>PARTS BAG</b> |       |   |                    |  |  |  |
|                  |       | Complete Parts Bag  | AS-100717-01       |  |  |  |
| 27               |       | Locknut - Fresh Air Damper                                      | 64-24031-01        |  |  |  |
| 28               |       | Male Adapter  | 68-24028-01        |  |  |  |
| 29               |       | O-Ring Gasket   | 68-24032-01        |  |  |  |
|                  |       | 1/2 in. PVC Pipe - 4 in.  | 68-22024-04        |  |  |  |
|                  |       | 1/2 in. Tee   | 68-21980-02        |  |  |  |
|                  |       | Hose Clamp  | 64-22043-01        |  |  |  |
|                  |       | Hose Clamp (2)  | 64-22043-02        |  |  |  |
|                  |       | Plug - Nylon 7/8 in. (2)  | 45-22926-01        |  |  |  |
|                  |       | Plug - Nylon 1-1/8 in.  | 45-22926-02        |  |  |  |
|                  |       | PVC Vane  | 68-23473-01        |  |  |  |
|                  |       | PVC Wind Vane   | 68-24049-01        |  |  |  |
|                  |       | Grommet - Blower Shelf (5/8 in. ID) - Not included in Parts Bag | 56-22521-03        |  |  |  |
|                  |       | Grommet - Blower Shelf (1/2 in. ID) - Not included in Parts Bag | 56-24008-01        |  |  |  |

| No.                                       | Notes | MODEL<br>HEATING INPUT<br>VARIATIONS      | GLUA<br>90E<br>4B        | GLUA<br>90E<br>5B | GLUA<br>105E<br>5B | GLUA<br>120E<br>5B |
|---|-------|---|--------------------------|-------------------|--------------------|--------------------|
| <b>PANELS, SHEET METAL, MISCELLANEOUS</b> |       |   |                          |                   |                    |                    |
| 1   |       | Blower/Filter Door                        | AS-67891-11              | AS-67891-11       | AS-67891-11        | AS-67892-11        |
| 2   |       | Burner Compartment Door                   | AS-61867-09              | AS-61867-09       | AS-61867-09        | AS-61868-09        |
|   |       | Sight Glass                               | 68-21893-03              | 68-21893-03       | 68-21893-03        | 68-21893-03        |
| 3   |       | Pressure Switch                           | See Electrical Group     |                   |                    |                    |
| 4   |       | Silicone Tubing (Pressure Switch)         | AE-61737-23              | AE-61737-23       | AE-61737-23        | AE-61737-23        |
| 5   |       | Trap/Elbow Assembly                       | 68-24048-01              | 68-24048-01       | 68-24048-01        | 68-24048-01        |
| 6   |       | Hose Clamps (6)                           | 64-22043-02              | 64-22043-02       | 64-22043-02        | 64-22043-02        |
| 7   |       | Water Trap Mount Bracket                  | AE-61841-01              | AE-61841-01       | AE-61841-01        | AE-61841-01        |
| 8   |       | Tubing                                    | 79-25353-82              | 79-25353-82       | 79-25353-82        | 79-25353-82        |
| 9   |       | Induced Draft Blower w/Gasket             | See Electrical Group     |                   |                    |                    |
| 10  |       | Gasket - Induced Draft Blower             | 68-24016-01              | 68-24016-01       | 68-24016-01        | 68-24016-01        |
| 11  |       | Silicone Tubing (Pressure Switch)         | AE-61737-02              | AE-61737-02       | AE-61737-02        | AE-61737-02        |
| 12  |       | Pressure Switch                           | See Electrical Group     |                   |                    |                    |
| 13  |       | Blower Assembly                           | See Blower Group         |                   |                    |                    |
| 14  |       | Door Switch - Push Button                 | See Electrical Group     |                   |                    |                    |
| 15  |       | Junction Box                              | AE-61475-02              | AE-61475-02       | AE-61475-02        | AE-61475-02        |
| 16  |       | Junction Box Cover                        | AE-61476-02              | AE-61476-02       | AE-61476-02        | AE-61476-02        |
|   |       | Wiring Harnesses                          | See Electrical Group     |                   |                    |                    |
| 21  |       | Button Plug (2-1/2 in.)                   | 45-22980-03              | 45-22980-03       | 45-22980-03        | 45-22980-03        |
| 22  |       | Button Plug (2 in.)                       | 45-22980-08              | 45-22980-08       | 45-22980-08        | 45-22980-08        |
| 23  |       | Jacket                                    | AS-61820-05              | AS-61820-05       | AS-61820-05        | AS-61820-07        |
| 24  |       | Baffle                                    | AE-61875-02              | AE-61875-02       | AE-61875-02        | AE-61875-02        |
| 25  |       | Rear Baffle                               | AE-61878-02              | AE-61878-02       | AE-61878-02        | AE-61878-03        |
| 26  |       | Baffle                                    | AE-61875-01              | AE-61875-01       | AE-61875-01        | AE-61875-01        |
| 30  |       | Outlet Air Pipe                           | 68-24021-01              | 68-24021-01       | 68-24021-01        | 68-24021-01        |
| 31  |       | Outlet Air Pipe Gasket                    | 68-24022-02              | 68-24022-02       | 68-24022-02        | 68-24022-02        |
| 32  |       | Top Plate                                 | AS-61872-02              | AS-61872-02       | AS-61872-02        | AS-61872-03        |
| 33  |       | Vinyl Grommet - 2 in.                     | 56-22114-06              | 56-22114-06       | 56-22114-06        | 56-22114-06        |
| 34  |       | Heat Exchanger Assembly                   | See Heat Exchanger Group |                   |                    |                    |
| 35  |       | Limit - Main Limit (Heat Exchanger Panel) | See Heat Exchanger Group |                   |                    |                    |
| 37  |       | Connector/Transition                      | 68-24047-08              | 68-24047-08       | 68-24047-08        | 68-24047-09        |
| 38  |       | Elbow                                     | 68-24013-01              | 68-24013-01       | 68-24013-01        | 68-24013-01        |
| 39  |       | Tubing                                    | 79-25353-82              | 79-25353-82       | 79-25353-82        | 79-25353-82        |
| 44  |       | Capacitor - Blower Motor                  | See Blower Group         |                   |                    |                    |
| 45  |       | Capacitor - Induced Draft Blower          | See Electrical Group     |                   |                    |                    |
| 46  |       | Control Mounting Plate                    | AE-67877-01              | AE-67877-01       | AE-67877-01        | AE-67877-01        |
| 47  |       | Integrated Furnace Control Board (IFC)    | See Gas Controls         |                   |                    |                    |
| 48  |       | Transformer                               | See Electrical Group     |                   |                    |                    |
| 57  |       | Gas Valve                                 | See Gas Controls         |                   |                    |                    |
| 59  |       | Ignitor Bracket                           | See Gas Controls         |                   |                    |                    |
| 60  |       | Ignitor                                   | See Gas Controls         |                   |                    |                    |

| No.              | Notes | MODEL<br>HEATING INPUT<br>VARIATIONS                            | GLUA<br>ALL<br>ALL |  |  |  |
|------------------|-------|---|--------------------|--|--|--|
| <b>PARTS BAG</b> |       |   |                    |  |  |  |
|                  |       | Complete Parts Bag  | AS-100717-01       |  |  |  |
| 27               |       | Locknut - Fresh Air Damper                                      | 64-24031-01        |  |  |  |
| 28               |       | Male Adapter  | 68-24028-01        |  |  |  |
| 29               |       | O-Ring Gasket   | 68-24032-01        |  |  |  |
|                  |       | 1/2 in. PVC Pipe - 4 in.  | 68-22024-04        |  |  |  |
|                  |       | 1/2 in. Tee   | 68-21980-02        |  |  |  |
|                  |       | Hose Clamp  | 64-22043-01        |  |  |  |
|                  |       | Hose Clamp (2)  | 64-22043-02        |  |  |  |
|                  |       | Plug - Nylon 7/8 in. (2)  | 45-22926-01        |  |  |  |
|                  |       | Plug - Nylon 1-1/8 in.  | 45-22926-02        |  |  |  |
|                  |       | PVC Vane  | 68-23473-01        |  |  |  |
|                  |       | PVC Wind Vane   | 68-24049-01        |  |  |  |
|                  |       | Grommet - Blower Shelf (5/8 in. ID) - Not included in Parts Bag | 56-22521-03        |  |  |  |
|                  |       | Grommet - Blower Shelf (1/2 in. ID) - Not included in Parts Bag | 56-24008-01        |  |  |  |

| No.                     | Notes | MODEL   | GLUA<br>45E<br>3B  | GLUA<br>60E<br>3B  | GLUA<br>75E<br>3B  | GLUA<br>75E<br>4B  |
|-------------------------|-------|---|--------------------|--------------------|--------------------|--------------------|
|                         |       | HEATING INPUT<br>BLOWER DESIGNATION   |                    |                    |                    |                    |
| <b>ELECTRICAL GROUP</b> |       |   |                    |                    |                    |                    |
| 3                       | Stk   | Pressure Switch   | 42-24196-01        | 42-24196-04        | 42-24196-01        | 42-24196-01        |
| 9                       | Stk   | Induced Draft Blower w/Gasket   | 70-24033-01        | 70-24033-01        | 70-24033-01        | 70-24033-01        |
| 12                      | Stk   | Pressure Switch   | 42-24195-03        | 42-24195-03        | 42-24195-03        | 42-24195-03        |
| 14                      |       | Door Switch - Push Button   | 42-22692-02        | 42-22692-02        | 42-22692-02        | 42-22692-02        |
| 17                      |       | Wiring Harness - 6 pin to (2 pin/2 flag terminals), 4 wires                             | 45-24371-27        | 45-24371-27        | 45-24371-27        | 45-24371-27        |
| 18                      |       | Wiring Harness - 4 pin to 3 terminals (2 eyelets/1 insulated) and 1 strip back, 4 wires | 45-24371-12        | 45-24371-12        | 45-24371-12        | 45-24371-12        |
| 19                      |       | Twist Lock Wiring Harness - 6 pin to 4 pin and 9 pin to 8 terminals, 12 wires           | 45-24393-01        | 45-24393-01        | 45-24393-01        | 45-24393-01        |
| 20                      |       | Wiring Harness - 9 pin to (9 pin/4 pin), 8 wires  | 45-24371-01        | 45-24371-01        | 45-24371-01        | 45-24371-01        |
| 35                      | Stk   | Limit - Main Limit (Heat Exchanger Panel)   | 47-25350-06        | 47-25350-05        | 47-25350-09        | 47-25350-01        |
| 45                      | Stk   | Capacitor - Induced Draft Blower  | 43-20847-43        | 43-20847-43        | 43-20847-43        | 43-20847-43        |
| 47                      |       | Integrated Furnace Control Board (IFC)  | See Gas Controls   |                    |                    |                    |
| 48                      | Stk   | Transformer   | 46-24124-03        | 46-24124-03        | 46-24124-03        | 46-24124-03        |
|                         |       | Transformer Fuse (Long - 1-1/4 in.)   | 46-22863-84        | 46-22863-84        | 46-22863-84        | 46-22863-84        |
| 49                      | Stk   | Limit - Manual Reset (Burner Compartment)   | 47-22861-02<br>(1) | 47-22861-02<br>(1) | 47-22861-02<br>(2) | 47-22861-02<br>(2) |

| No.                     | Notes | MODEL   | GLUA<br>90E<br>4B  | GLUA<br>90E<br>5B  | GLUA<br>105E<br>5B | GLUA<br>120E<br>5B |
|-------------------------|-------|---|--------------------|--------------------|--------------------|--------------------|
|                         |       | HEATING INPUT<br>BLOWER DESIGNATION   |                    |                    |                    |                    |
| <b>ELECTRICAL GROUP</b> |       |   |                    |                    |                    |                    |
| 3                       | Stk   | Pressure Switch   | 42-24196-04        | 42-24196-04        | 42-24196-03        | 42-24196-02        |
| 9                       | Stk   | Induced Draft Blower w/Gasket   | 70-24033-01        | 70-24033-01        | 70-24033-01        | 70-24033-01        |
| 12                      | Stk   | Pressure Switch   | 42-24195-03        | 42-24195-03        | 42-24195-03        | 42-24195-03        |
| 14                      |       | Door Switch - Push Button   | 42-22692-02        | 42-22692-02        | 42-22692-02        | 42-22692-02        |
| 17                      |       | Wiring Harness - 6 pin to (2 pin/2 flag terminals), 4 wires                             | 45-24371-27        | 45-24371-27        | 45-24371-27        | 45-24371-27        |
| 18                      |       | Wiring Harness - 4 pin to 3 terminals (2 eyelets/1 insulated) and 1 strip back, 4 wires | 45-24371-12        | 45-24371-12        | 45-24371-12        | 45-24371-12        |
| 19                      |       | Twist Lock Wiring Harness - 6 pin to 4 pin and 9 pin to 8 terminals, 12 wires           | 45-24393-01        | 45-24393-01        | 45-24393-01        | 45-24393-01        |
| 20                      |       | Wiring Harness - 9 pin to (9 pin/4 pin), 8 wires  | 45-24371-01        | 45-24371-01        | 45-24371-01        | 45-24371-01        |
| 35                      | Stk   | Limit - Main Limit (Heat Exchanger Panel)   | 47-25350-01        | 47-25350-01        | 47-25350-07        | 47-25350-01        |
| 45                      | Stk   | Capacitor - Induced Draft Blower  | 43-20847-43        | 43-20847-43        | 43-20847-43        | 43-20847-43        |
| 47                      |       | Integrated Furnace Control Board (IFC)  | See Gas Controls   |                    |                    |                    |
| 48                      | Stk   | Transformer   | 46-24124-03        | 46-24124-03        | 46-24124-03        | 46-24124-03        |
|                         |       | Transformer Fuse (Long - 1-1/4 in.)   | 46-22863-84        | 46-22863-84        | 46-22863-84        | 46-22863-84        |
| 49                      | Stk   | Limit - Manual Reset (Burner Compartment)   | 47-22861-02<br>(2) | 47-22861-02<br>(2) | 47-22861-02<br>(2) | 47-22861-02<br>(3) |

| No.                 | Notes | MODEL                                    | GLUA         | GLUA         | GLUA         | GLUA         |
|---------------------|-------|--|--------------|--------------|--------------|--------------|
|                     |       | HEATING INPUT                            | 45E          | 60E          | 75E          | 75E          |
|                     |       | BLOWER DESIGNATION                       | 3B           | 3B           | 3B           | 4B           |
| <b>BLOWER GROUP</b> |       |  |              |              |              |              |
| 13                  | Stk   | Blower Assembly (Includes items 40 - 44) | AS-61697-15  | AS-61697-86  | AS-61697-86  | AS-61697-87  |
| 40                  | Stk   | Blower Wheel                             | 70-22688-01  | 70-22688-01  | 70-22688-01  | 70-24119-01  |
| 41                  |       | Blower Housing                           | AS-61674-02  | AS-61674-02  | AS-61674-02  | AS-61674-02  |
| 42                  | Stk   | Blower Motor                             | 51-24042-01  | 51-24144-01  | 51-24144-01  | 51-24146-01  |
| 43                  |       | Motor Mounting Leg (4)                   | AE-61698-02  | AE-61698-02  | AE-61698-02  | AE-61698-02  |
| 44                  | Stk   | Capacitor - Blower Motor                 | 43-100509-42 | 43-100509-42 | 43-100509-42 | 43-100509-43 |

| No.                 | Notes | MODEL                                    | GLUA         | GLUA         | GLUA         | GLUA         |
|---------------------|-------|--|--------------|--------------|--------------|--------------|
|                     |       | HEATING INPUT                            | 90E          | 90E          | 105E         | 120E         |
|                     |       | BLOWER DESIGNATION                       | 4B           | 5B           | 5B           | 5B           |
| <b>BLOWER GROUP</b> |       |  |              |              |              |              |
| 13                  | Stk   | Blower Assembly (Includes items 40 - 44) | AS-61697-91  | AS-61697-88  | AS-61697-88  | AS-61697-89  |
| 40                  | Stk   | Blower Wheel                             | 70-24041-01  | 70-24041-01  | 70-24041-01  | 70-20602-01  |
| 41                  |       | Blower Housing                           | AS-61674-08  | AS-61674-08  | AS-61674-08  | AS-61674-03  |
| 42                  | Stk   | Blower Motor                             | 51-24145-01  | 51-24146-01  | 51-24146-01  | 51-24146-01  |
| 43                  |       | Motor Mounting Leg (4)                   | AE-61698-02  | AE-61698-02  | AE-61698-02  | AE-61698-02  |
| 44                  | Stk   | Capacitor - Blower Motor                 | 43-100509-43 | 43-100509-43 | 43-100509-43 | 43-100509-43 |

| No.  | Notes | MODEL<br>HEATING INPUT<br>BLOWER DESIGNATION | GLUA                        | GLUA               | GLUA               | GLUA               |
|--|-------|--|-----------------------------|--------------------|--------------------|--------------------|
|  |       |  | 45E<br>3B                   | 60E<br>3B          | 75E<br>3B          | 75E<br>4B          |
| <b>HEAT EXCHANGER, BURNER / MANIFOLD GROUP</b> |       |  |                             |                    |                    |                    |
| 34   | Stk   | Heat Exchanger Assembly                      | AS-61805-22                 | AS-61805-23        | AS-61805-24        | AS-61805-26        |
| 35   | Stk   | Limit - Main Limit (Heat Exchanger Panel)    | See Electrical Group        |                    |                    |                    |
| 49   | Stk   | Limit - Manual Reset (Burner Compartment)    | See Electrical Group        |                    |                    |                    |
| 50   |       | Bracket - (Limit - Manual Reset)             | AE-61913-02<br>(1)          | AE-61913-02<br>(1) | AE-61913-02<br>(2) | AE-61913-02<br>(2) |
| 51   |       | Burner Shield                                | AE-61807-01                 | AE-61807-02        | AE-61807-03        | AE-61807-03        |
| 52   |       | Burner Diffuser                              | AE-61882-12                 | AE-61882-11        | AE-61882-07        | AE-61882-07        |
| 53   | Stk   | Burner Assembly                              | AS-61984-03                 | AS-61984-04        | AS-61984-05        | AS-61984-05        |
| 54   |       | Burner Support Bracket (2)                   | AE-61808-01                 | AE-61808-01        | AE-61808-01        | AE-61808-01        |
| 55   |       | Burner Support                               | AE-61809-11                 | AE-61809-12        | AE-61809-13        | AE-61809-13        |
| 56   | Stk   | Manifold (w/o Orifices)                      | 81-24395-01                 | 81-24395-02        | 81-24395-03        | 81-24395-03        |
| 58   |       | Burner Orifice - Natural Gas                 | See Orifice Selection Chart |                    |                    |                    |
| 58   |       | Burner Orifice - LP                          | See Orifice Selection Chart |                    |                    |                    |
|  |       | Number of Orifices                           | (3)                         | (4)                | (5)                | (5)                |

| No.  | Notes | MODEL<br>HEATING INPUT<br>BLOWER DESIGNATION | GLUA                        | GLUA               | GLUA               | GLUA               |
|--|-------|--|-----------------------------|--------------------|--------------------|--------------------|
|  |       |  | 90E<br>4B                   | 90E<br>5B          | 105E<br>5B         | 120E<br>5B         |
| <b>HEAT EXCHANGER, BURNER / MANIFOLD GROUP</b> |       |  |                             |                    |                    |                    |
| 34   | Stk   | Heat Exchanger Assembly                      | AS-61805-25                 | AS-61805-25        | AS-61805-27        | AS-61805-28        |
| 35   | Stk   | Limit - Main Limit (Heat Exchanger Panel)    | See Electrical Group        |                    |                    |                    |
| 49   | Stk   | Limit - Manual Reset (Burner Compartment)    | See Electrical Group        |                    |                    |                    |
| 50   |       | Bracket - (Limit - Manual Reset)             | AE-61913-02<br>(2)          | AE-61913-02<br>(2) | AE-61913-02<br>(2) | AE-61913-02<br>(3) |
| 51   |       | Burner Shield                                | AE-61807-04                 | AE-61807-04        | AE-61807-05        | AE-61807-06        |
| 52   |       | Burner Diffuser                              | AE-61882-08                 | AE-61882-08        | AE-61882-09        | AE-61882-10        |
| 53   | Stk   | Burner Assembly                              | AS-61984-06                 | AS-61984-06        | AS-61984-07        | AS-61984-08        |
| 54   |       | Burner Support Bracket (2)                   | AE-61808-01                 | AE-61808-01        | AE-61808-01        | AE-61808-01        |
| 55   |       | Burner Support                               | AE-61809-14                 | AE-61809-14        | AE-61809-15        | AE-61809-16        |
| 56   | Stk   | Manifold (w/o Orifices)                      | 81-24395-04                 | 81-24395-04        | 81-24395-05        | 81-24395-06        |
| 58   |       | Burner Orifice - Natural Gas                 | See Orifice Selection Chart |                    |                    |                    |
| 58   |       | Burner Orifice - LP                          | See Orifice Selection Chart |                    |                    |                    |
|  |       | Number of Orifices                           | (6)                         | (6)                | (7)                | (8)                |

| No.                 | Notes | MODEL<br>GAS CODE                      | GLUA<br>GY   | GLUA<br>EJ  | GLUA<br>EL  |
|---------------------|-------|--|--------------|-------------|-------------|
| <b>GAS CONTROLS</b> |       |  |              |             |             |
| 47                  | Stk   | Integrated Furnace Control Board (IFC) | 62-25338-01  | 62-24140-04 | 62-24140-04 |
| 57                  | Stk   | Gas Valve - Natural Gas                | 60-100394-02 | 60-22866-01 | 60-23490-01 |
| 57                  | Stk,1 | Gas Valve - LP                         | See Note 1   | See Note 1  | See Note 1  |
| 59                  |       | Ignitor Bracket                        | AE-61885-02  | AE-61885-02 | AE-61885-02 |
| 60                  | Stk   | Ignitor                                | 62-24141-04  | 62-24141-04 | 62-24141-04 |
| 62                  | Stk   | Flame Sensor                           | 62-23543-01  | 62-23543-01 | 62-23543-01 |
|                     | Stk   | LP Conversion Kit                      | FP-02        | FP-02       | FP-02       |

**90% GAS FURNACE - ORIFICE SELECTION CHART - NATURAL GAS**

**CAUTION:** Selection of the correct Natural Gas Orifice requires the following information for the specific installation:

- 1) Altitude in of the installation (ft.).
- 2) Average energy content of the Natural Gas fuel from the local supplier (BTU/cu. ft.).

For detailed information and instructions for Orifice selection, see the Gas Furnace LP Conversion Kit Index 92-21519-59 and the latest edition of the National Fuel Gas Code Handbook, or the National Standard of Canada, Natural Gas and Propane Installation Code, CAN B149.1.

**CAUTION:** This information is provided for replacement purposes only. Conversion for operation at High Altitude must be done using the kit specified on the product specification sheet for the unit.

NOTE: This Orifice sizing chart is based on 15,000 BTU/HR per burner.

NOTE: Factory installed orifices are calculated and sized based on a Natural Gas heating value of 1075 BTU/cu. ft. and an elevation of 0 - 3000 ft.

| Energy Value<br>(BTU/cu. ft.) | Elevation (ft.) |             |             |             |             |             |             |             |
|-------------------------------|-----------------|-------------|-------------|-------------|-------------|-------------|-------------|-------------|
|                               | 0 - 1999        | 2000 - 2999 | 3000 - 3999 | 4000 - 4999 | 5000 - 5999 | 6000 - 6999 | 7000 - 7999 | 8000 - 8999 |
| <b>850</b>                    | 62-22175-47     | 62-22175-48 | 62-22175-48 | 62-22175-49 | 62-22175-49 | 62-22175-49 | 62-22175-50 | 62-22175-50 |
| <b>900</b>                    | 62-22175-48     | 62-22175-49 | 62-22175-49 | 62-22175-49 | 62-22175-50 | 62-22175-50 | 62-22175-50 | 62-22175-51 |
| <b>975</b>                    | 62-22175-49     | 62-22175-50 | 62-22175-50 | 62-22175-50 | 62-22175-51 | 62-22175-51 | 62-22175-51 | 62-22175-52 |
| <b>1075</b>                   | 62-22175-50     | 62-22175-51 | 62-22175-51 | 62-22175-51 | 62-22175-51 | 62-22175-52 | 62-22175-52 | 62-22175-52 |
| <b>1170</b>                   | 62-22175-51     | 62-22175-51 | 62-22175-52 | 62-22175-52 | 62-22175-52 | 62-22175-53 | 62-22175-53 | 62-22175-53 |

**90% GAS FURNACE - ORIFICE SELECTION CHART - LP**

**CAUTION:** Selection of the correct LP Orifice requires the altitude of the specific installation (ft.).

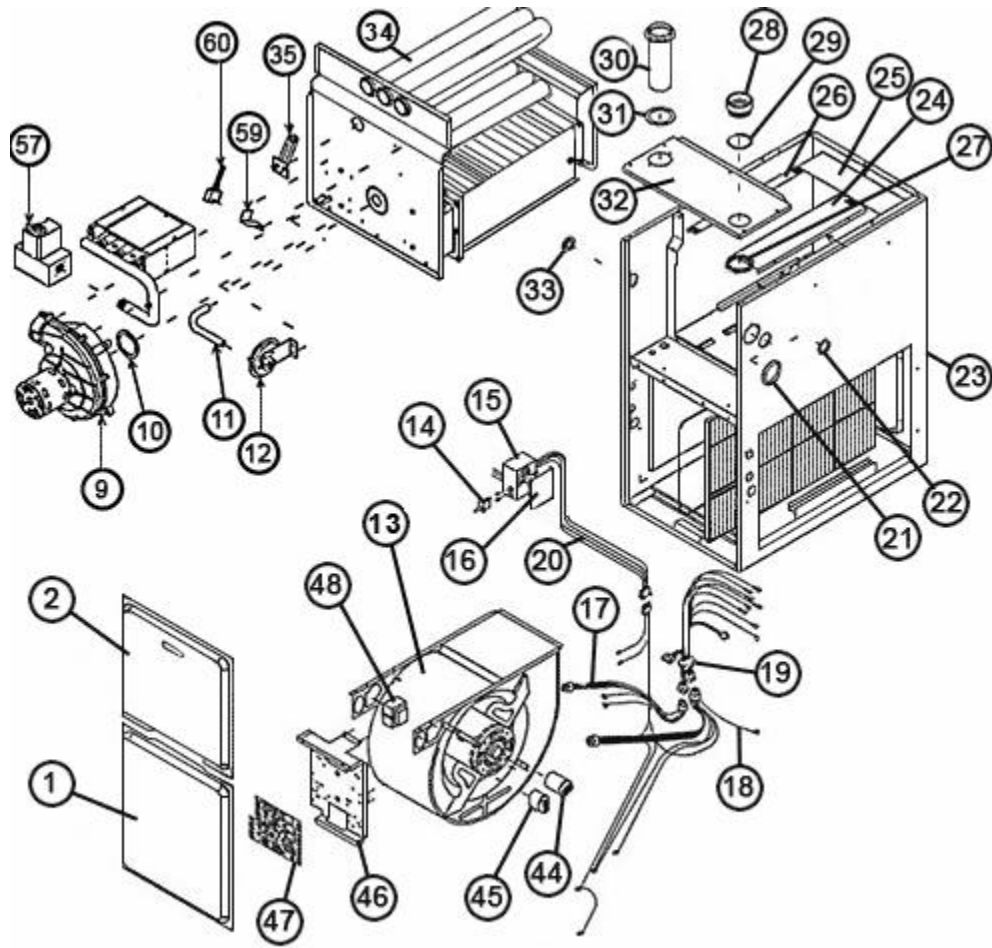
For detailed information and instructions for Orifice selection, see the Gas Furnace LP Conversion Kit Index 92-21519-59 and the latest edition of the National Fuel Gas Code Handbook (NFG), or the National Standard of Canada, Natural Gas and Propane Installation Code, CAN B149.1.

**CAUTION:** This information is provided for replacement purposes only. Conversion to LP or for operation at High Altitude should be done using the kit(s) specified on the product specification sheet for the unit.

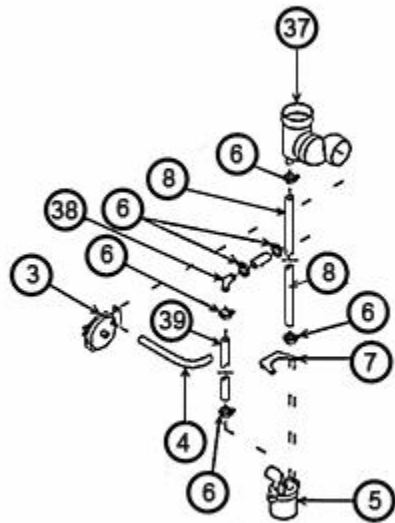
NOTE: This Orifice sizing chart is based on 15,000 BTU/HR per burner. Also, the chart is developed using the specified pressure setting of 10 in. water column instead of the 11.0 in water column used by the NFG and CANB149.1.

NOTE: Orifices supplied in the LP Conversion Kit are calculated and sized based on an altitude of 0 - 2000 ft.

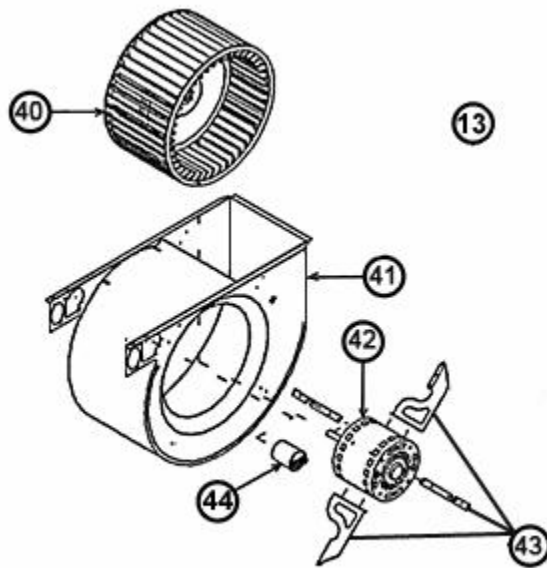
| Elevation (ft.) | Orifice     |  |  |  |  |  |  |  |
|-----------------|-------------|--|--|--|--|--|--|--|
| 0 to 2000 ft.   | 62-22175-91 |  |  |  |  |  |  |  |
| 2001 to 3000    | 62-22175-91 |  |  |  |  |  |  |  |
| 3001 to 4000    | 62-22175-90 |  |  |  |  |  |  |  |
| 4001 to 5000    | 62-22175-58 |  |  |  |  |  |  |  |
| 5001 to 6000    | 62-22175-59 |  |  |  |  |  |  |  |
| 6001 to 7000    | 62-22175-60 |  |  |  |  |  |  |  |
| 7001 to 8000    | 62-22175-62 |  |  |  |  |  |  |  |
| 8001 to 9000    | 62-22175-63 |  |  |  |  |  |  |  |
| 9001 to 1000    | 62-22175-64 |  |  |  |  |  |  |  |



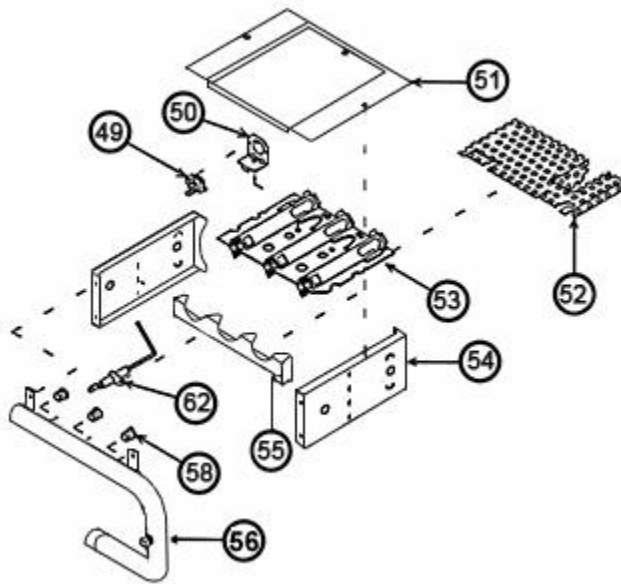
Exploded View



Drain Trap Parts



Blower Assembly



Burner Assembly

# NOTES

Stk It is recommended that stock be maintained for this part.  
N/A Not Applicable  
1 Order Gas Valve for Natural Gas along with LP Conversion Kit