

This Owner's Manual is provided and hosted by [Appliance Factory Parts](#).



COMFORT-AIRE GLUB75E-3A Owner's Manual

[Shop genuine replacement parts for COMFORT-AIRE
GLUB75E-3A](#)



[Find Your COMFORT-AIRE HVAC Parts - Select From 1486 Models](#)

----- Manual continues below -----

HEAT CONTROLLER, INC.

GLUB-A

Parts List
18-October-2011



This parts list is current as of the above revision date.

Form Number: 92-42810-GLUB-A

Table of Contents

| | |
|-----------------------------------|---------|
| Model Explanation | Page 3 |
| Parts Numbers | |
| Panels - Miscellaneous | Page 4 |
| Electrical Group | Page 5 |
| Blower Group | Page 5 |
| Heat Exchanger-Burner Group | Page 6 |
| Gas Controls | Page 7 |
| Orifice Selection Chart | Page 8 |
| Drawings/Photographs | |
| Exploded View | Page 9 |
| Blower Assembly | Page 10 |
| Burner Assembly | Page 11 |
| Notes | Page 12 |

MODEL NUMBER EXPLANATION

| | | | | | | | | | |
|----------|----------|----------|----------|----------|----------|----------|----------|----------|----------|
| G | L | U | B | - | 4 | 5 | E | 3 | A |
| 1 | 2 | 3 | 4 | | | 5 | | 6 | 7 |

- (1) **GAS**
- (2) **95% EFFICIENCY**
- (3) **UPFLOW CONDENSING**
- (4) **PLACEHOLDER**
- (5) **HEATING INPUT DESIGNATION**
 40 = 45,000 BTU/HR
 60 = 60,000 BTU/HR
 75 = 75,000 BTU/HR
 90 = 90,000 BTU/HR
 105 = 105,000 BTU/HR
 E = Electric
 N = NOX
- (6) **DRIVE NOMINAL COOLING/REVISION LEVEL**
 3 = 3 Ton
 4 = 4 Ton
 5 = 5 Ton
- (7) **REVISION LEVEL**

SERIAL NUMBER EXPLANATION

| | | | | | | | | | | | | | | |
|----------|----------|----------|----------|----------|----------|----------|----------|----------|-----------|----------|----------|----------|----------|----------|
| H | L | 5 | D | 7 | 0 | 2 | F | 3 | 1 | 0 | 9 | 9 | 9 | 9 |
| 1 | 2 | 3 | 4 | 5 | 6 | 7 | 8 | 9 | 10 | | | | | |

- 1 GAS CODE**
- 2 LIMIT CONTROL**
- 3 BLOWER**
- 4 HEATING ELEMENT**
- 5 SPECIAL AREA REQUIREMENT**
- 6 MOTOR HORSEPOWER**
- 7 PLANT**
- 8 WEEK**
- 9 YEAR**
- 10 PRODUCTION NUMBER**

| No. | Notes | MODEL HEATING INPUT VARIATIONS | GLUB 45E 3A | GLUB 60E 3A | GLUB 75E 3A | GLUB 75E 4A | GLUB 90E 5A | GLUB 105E 5A |
|---|-------|--|--------------------------|-------------|--------------|-------------|-------------|--------------|
| PANELS, SHEET METAL, MISCELLANEOUS | | | | | | | | |
| 1 | | Jacket | AS-61824-04 | AS-61824-04 | AS-61824-04 | AS-61824-05 | AS-61824-05 | AS-61824-05 |
| 2 | | O-Ring - Fresh Air Damper | 68-24032-01 | 68-24032-01 | 68-24032-01 | 68-24032-01 | 68-24032-01 | 68-24032-01 |
| 3 | | Adapter - Fresh Air Damper and Locknut | 68-24114-01 | 68-24114-01 | 68-24114-01 | 68-24114-01 | 68-24114-01 | 68-24114-01 |
| 4 | | Outlet Air Pipe | 68-24021-01 | 68-24021-01 | 68-24021-01 | 68-24021-03 | 68-24021-01 | 68-24021-01 |
| 5 | | Gasket - Outlet Air Pipe | 68-24022-02 | 68-24022-02 | 68-24022-02 | 68-24022-02 | 68-24022-02 | 68-24022-02 |
| 6 | | Top Plate | AS-61872-01 | AS-61872-01 | AS-61872-01 | AS-61872-02 | AS-61872-02 | AS-61872-02 |
| 7 | | Locknut - Fresh Air Damper | 64-24031-01 | 64-24031-01 | 64-24031-01 | 64-24031-01 | 64-24031-01 | 64-24031-01 |
| 8 | | Burner Door | AS-61866-09 | AS-61866-09 | AS-61866-09 | AS-61867-09 | AS-61867-09 | AS-61867-09 |
| 9 | | Blower/Filter Door | AS-67890-11 | AS-67890-11 | AS-67890-11 | AS-67891-11 | AS-67891-11 | AS-67891-11 |
| 10 | | Filter - Plastic | 54-24094-01 | 54-24094-01 | 54-24094-01 | 54-24094-02 | 54-24094-02 | 54-24094-02 |
| | | Filter Retainer Rod | 45-24095-01 | 45-24095-01 | 45-24095-01 | 45-24095-01 | 45-24095-01 | 45-24095-01 |
| | | Filter Rod Support Angle | AE-60520-01 | AE-60520-01 | AE-60520-01 | AE-60520-01 | AE-60520-01 | AE-60520-01 |
| | | Filter Support Angle | AE-61883-01 | AE-61883-01 | AE-61883-01 | AE-61883-01 | AE-61883-01 | AE-61883-01 |
| 11 | | Solid Bottom | AE-61874-02 | AE-61874-02 | AE-61874-02 | AE-61874-03 | AE-61874-03 | AE-61874-03 |
| 12 | | Pressure Switch Assembly | See Electrical Group | | | | | |
| 13 | | Trap/Elbow Assembly | 68-24048-01 | 68-24048-01 | 68-24048-01 | 68-24048-01 | 68-24048-01 | 68-24048-01 |
| 14 | | Water Trap Mount Bracket | AE-61841-01 | AE-61841-01 | AE-61841-01 | AE-61841-01 | AE-61841-01 | AE-61841-01 |
| 15 | | Junction Box Cover | AE-61476-02 | AE-61476-02 | AE-61476-02 | AE-61476-02 | AE-61476-02 | AE-61476-02 |
| 16 | | Door Switch (Push Button) | See Electrical Group | | | | | |
| 17 | | Junction Box | AE-61475-02 | AE-61475-02 | AE-61475-02 | AE-61475-02 | AE-61475-02 | AE-61475-02 |
| 28 | | Heat Exchanger | See Heat Exchanger Group | | | | | |
| 29 | | Limit - Main Limit (Heat Exchanger Panel) | See Electrical Group | | | | | |
| 30 | | Connector/Transition | 68-24047-07 | 68-24047-07 | 68-103061-01 | 68-24047-08 | 68-24047-08 | 68-24047-08 |
| 31 | | Induced Draft Blower w/Gasket | See Electrical Group | | | | | |
| A | | Button Plug - 2 in. opening | 45-22980-08 | 45-22980-08 | 45-22980-08 | 45-22980-08 | 45-22980-08 | 45-22980-08 |
| B | | Button Plug - 2-3/8 in. opening (2) | 45-22980-03 | 45-22980-03 | 45-22980-03 | 45-22980-03 | 45-22980-03 | 45-22980-03 |
| C | | Silicon Tubing for Pressure Switch (2) | AE-61737-10 | AE-61737-10 | AE-61737-10 | AE-61737-10 | AE-61737-10 | AE-61737-10 |
| D | | Hose Clamp (6) | 64-22043-02 | 64-22043-02 | 64-22043-02 | 64-22043-02 | 64-22043-02 | 64-22043-02 |
| E | | Elbow (Induced Draft Blower - 1/2 in. barbed) | 68-24013-01 | 68-24013-01 | 68-24013-01 | 68-24013-01 | 68-24013-01 | 68-24013-01 |
| F | | Grommet - 7/8 in. I.D. (2 in. groove diameter) | 56-22114-06 | 56-22114-06 | 56-22114-06 | 56-22114-06 | 56-22114-06 | 56-22114-06 |
| G | | Tubing - Includes Two Hose Clamps (3) | 79-25353-82 | 79-25353-82 | 79-25353-82 | 79-25353-82 | 79-25353-82 | 79-25353-82 |
| | | Tubing (Drain Trap to Induced Draft Blower - Includes two Hose Clamps) | 791000 | 791000 | 791000 | 791001 | 791001 | 791001 |
| | | Grommet - 19/32 in. I.D. (7/8 in. groove diameter) | 56-22521-03 | 56-22521-03 | 56-22521-03 | 56-22521-03 | 56-22521-03 | 56-22521-03 |
| | | Grommet- 1/2 in. I.D. (5/8 in. groove diameter) | 56-24008-01 | 56-24008-01 | 56-24008-01 | 56-24008-01 | 56-24008-01 | 56-24008-01 |
| | | Grommet -1/4 in. I.D. (3/8 in. groove diameter) | 56-24008-02 | 56-24008-02 | 56-24008-02 | 56-24008-02 | 56-24008-02 | 56-24008-02 |

| No. | Notes | MODEL HEATING INPUT VARIATIONS | GLUB ALL ALL | | | | | |
|------------------|-------|--|--------------|--|--|--|--|--|
| PARTS BAG | | | | | | | | |
| | | Complete Parts Bag | AS-100717-01 | | | | | |
| 2 | | O-Ring - Fresh Air Damper | 68-24032-01 | | | | | |
| 3 | | Adapter - Fresh Air Damper and Locknut | 68-24114-01 | | | | | |
| | | 1/2 in. Tee | 68-21980-02 | | | | | |
| | | 1/2 in. PVC Pipe - 4 in. | 68-22024-04 | | | | | |
| | | Plug - Nylon - 7/8 in. | 45-22926-01 | | | | | |
| | | Plug - Nylon - 1-1/8 in. | 45-22926-02 | | | | | |
| | | PVC Vane | 68-23473-01 | | | | | |
| | | PVC Wind Vane - 2-1/2 in. | 68-24049-01 | | | | | |
| | | Hose Clamp (2) | 64-22043-02 | | | | | |

| No. | Notes | MODEL HEATING INPUT VARIATIONS | GLUB 45E 3A | GLUB 60E 3A | GLUB 75E 3A | GLUB 75E 4A | GLUB 90E 5A | GLUB 105E 5A |
|-----------------------|-------|---|--------------------|--------------------|--------------------|--------------------|--------------------|--------------------|
| ELECTRIC GROUP | | | | | | | | |
| 12a | Stk | Pressure Switch - Drain | 42-101955-02 | 42-101955-02 | 42-101955-08 | 42-101955-02 | 42-101955-02 | 42-101955-02 |
| 12b | Stk | Pressure Switch - Vent | 42-101956-01 | 42-101956-01 | 42-101956-12 | 42-101956-09 | 42-101956-01 | 42-101956-01 |
| 16 | Stk | Door Switch - Push Button | 42-22692-02 | 42-22692-02 | 42-22692-02 | 42-22692-02 | 42-22692-02 | 42-22692-02 |
| 19 | Stk | Transformer | 46-24124-03 | 46-24124-03 | 46-24124-03 | 46-24124-03 | 46-24124-03 | 46-24124-03 |
| 21 | | Integrated Furnace Control Board (IFC) | See Gas Controls | | | | | |
| 22 | | Capacitor - Blower Motor | See Blower Group | | | | | |
| 23 | Stk | Capacitor - Induced Draft Blower | 43-100496-44 | 43-100496-44 | 43-100496-44 | 43-100496-44 | 43-100496-44 | 43-100496-44 |
| 29 | Stk | Limit - Main Limit (Heat Exchanger Panel) | 47-25350-06 | 47-25350-05 | 47-25350-09 | 47-25350-01 | 47-25350-01 | 47-25350-07 |
| 31 | Stk | Induced Draft Blower w/Gasket | 70-102691-01 | 70-102691-01 | 70-102691-01 | 70-102691-01 | 70-102691-01 | 70-102691-01 |
| 34a | Stk | Limit - Manual Reset (Burner Compartment) | 47-22861-02 (1) | 47-22861-02 (1) | 47-22861-02 (2) | 47-22861-02 (2) | 47-22861-02 (2) | 47-22861-02 (2) |
| | | Wiring Harness - 9 pin from board to (9 pin/4 pin), 8 wires from 9 pin | 45-24371-01 | 45-24371-01 | 45-24371-01 | 45-24371-01 | 45-24371-01 | 45-24371-01 |
| | | Wiring Harness - 4 pin to 2 ring terminals/1 straight terminal/1 strip back | 45-24371-12 | 45-24371-12 | 45-24371-12 | 45-24371-12 | 45-24371-12 | 45-24371-12 |
| | | Direct Spark Wiring Harness - 9 pin to 8 terminals and 6 pin to 4 pin, w/Twist Lock, 8 wires from 9 pin | 45-24393-01 | 45-24393-01 | 45-24393-01 | 45-24393-01 | 45-24393-01 | 45-24393-01 |
| | | Direct Spark Wiring Harness - 2 pin from board to (6 pin with 2 flag terminals), 4 wires from 6 pin | 45-24371-27 | 45-24371-27 | 45-24371-27 | 45-24371-27 | 45-24371-27 | 45-24371-27 |

| No. | Notes | MODEL HEATING INPUT VARIATIONS | GLUB 45E 3A | GLUB 60E 3A | GLUB 75E 3A | GLUB 75E 4A | GLUB 90E 5A | GLUB 105E 5A |
|---------------------|-------|--|----------------------|--------------|--------------|--------------|--------------|--------------|
| BLOWER GROUP | | | | | | | | |
| 18 | Stk | Blower Assembly (Includes items 22, 24-27) | AS-61697-15 | AS-61697-15 | AS-61697-15 | AS-61697-102 | AS-61697-18 | AS-61697-18 |
| 19 | | Transformer w/Fuse | See Electrical Group | | | | | |
| 20 | | Mounting Plate - Control | AE-67877-01 | AE-67877-01 | AE-67877-01 | AE-67877-01 | AE-67877-01 | AE-67877-01 |
| 21 | | Integrated Furnace Control Board (IFC) | See Gas Controls | | | | | |
| 22 | Stk | Capacitor - Blower Motor | 43-101666-42 | 43-101666-42 | 43-101666-42 | 43-101666-43 | 43-101666-43 | 43-101666-43 |
| 23 | | Capacitor - Induced Draft Blower | See Electrical Group | | | | | |
| 24 | Stk | Blower Motor | 51-24042-01 | 51-24042-01 | 51-24042-01 | 51-103243-01 | 51-24043-01 | 51-24043-01 |
| 25 | | Motor Mount Leg (4) | AE-61698-02 | AE-61698-02 | AE-61698-02 | AE-61698-02 | AE-61698-02 | AE-61698-02 |
| 26 | | Housing | AS-61674-02 | AS-61674-02 | AS-61674-02 | AS-61674-08 | AS-61674-08 | AS-61674-08 |
| 27 | Stk | Blower Wheel | 70-22688-01 | 70-22688-01 | 70-22688-01 | 70-20602-01 | 70-24041-01 | 70-24041-01 |

| No. | Notes | MODEL HEATING INPUT VARIATIONS | GLUB 45E 3A | GLUB 60E 3A | GLUB 75E 3A | GLUB 75E 4A | GLUB 90E 5A | GLUB 105E 5A |
|--|-------|---|-----------------------------|--------------------|--------------------|--------------------|--------------------|--------------------|
| HEAT EXCHANGER, BURNER / MANIFOLD | | | | | | | | |
| 28 | Stk | Heat Exchanger | AS-61805-59 | AS-61805-60 | AS-61805-61 | AS-61805-62 | AS-61805-63 | AS-61805-64 |
| 29 | | Limit - Main Limit (Heat Exchanger Panel) | See Electrical Group | | | | | |
| 31 | | Induced Draft Blower w/Gasket | See Electrical Group | | | | | |
| 32 | Stk | Burner Assembly | AS-61984-03 | AS-61984-04 | AS-61984-05 | AS-61984-05 | AS-61984-06 | AS-61984-07 |
| 33 | | Burner Diffuser | AE-61882-12 | AE-61882-11 | AE-61882-07 | AE-61882-07 | AE-61882-08 | AE-61882-09 |
| 34a | | Limit - Manual Reset (Burner Compartment) | See Electrical Group | | | | | |
| 34b | | Limit Control Bracket | AE-61913-02 (1) | AE-61913-02 (1) | AE-61913-02 (2) | AE-61913-02 (2) | AE-61913-02 (2) | AE-61913-02 (2) |
| 35 | | Burner Shield | AE-61807-01 | AE-61807-02 | AE-61807-03 | AE-61807-03 | AE-61807-04 | AE-61807-05 |
| 36 | Stk | Manifold (w/o Orifices) | 81-24395-01 | 81-24395-02 | 81-24395-03 | 81-24395-03 | 81-24395-04 | 81-24395-05 |
| 37 | | Burner Orifice - Natural Gas | See Orifice Selection Chart | | | | | |
| 37 | | Burner Orifice - LP | See Orifice Selection Chart | | | | | |
| 37 | | Number of Orifices | (3) | (4) | (5) | (5) | (6) | (7) |
| 39 | | Flame Sensor | See Gas Controls | | | | | |
| 40 | Stk | Ignitor - Direct Spark Ignition | 62-24141-04 | 62-24141-04 | 62-24141-04 | 62-24141-04 | 62-24141-04 | 62-24141-04 |
| 41 | | Burner Support | AE-61809-11 | AE-61809-12 | AE-61809-13 | AE-61809-13 | AE-61809-14 | AE-61809-15 |
| 42 | | Burner Support Bracket (2) | AE-61808-01 | AE-61808-01 | AE-61808-01 | AE-61808-01 | AE-61808-01 | AE-61808-01 |
| | | Bracket - Direct Spark Ignition | AE-61885-02 | AE-61885-02 | AE-61885-02 | AE-61885-02 | AE-61885-02 | AE-61885-02 |

| No. | Notes | MODEL GAS CODE | GLUB HL | GLUB HM |
|---------------------|--------|--|--------------------------|--------------|
| GAS CONTROLS | | | | |
| 21 | Stk | Integrated Furnace Control Board (IFC) | 62-24140-04 | 62-24140-04 |
| 38 | Stk | Gas Valve - Natural Gas | 60-24180-01 | 60-100394-03 |
| 38 | Stk, 1 | Gas Valve - LP | See Note 1 | See Note 1 |
| 39 | Stk | Flame Sensor | 62-23543-06 | 62-23543-06 |
| 40 | | Ignitor | See Heat Exchanger Group | |
| | Stk | LP Conversion Kit - US | FP-02 | FP-02 |
| | Stk | LP Conversion Kit - Canada | FP-02 | FP-02 |

90% GAS FURNACE - ORIFICE SELECTION CHART - NATURAL GAS

CAUTION: Selection of the correct Natural Gas Orifice requires the following information for the specific installation:

1) Altitude in of the installation (ft.).

2) Average energy content of the Natural Gas fuel from the local supplier (BTU/cu. ft.).

For detailed information and instructions for Orifice selection, see the Gas Furnace LP Conversion Kit Index 92-21519-59 and the latest edition of the National Fuel Gas Code Handbook, or the National Standard of Canada, Natural Gas and Propane Installation Code, CAN B149.1.

CAUTION: This information is provided for replacement purposes only. Conversion for operation at High Altitude must be done using the kit specified on the product specification sheet for the unit.

NOTE: This Orifice sizing chart is based on 15,000 BTU/HR per burner.

NOTE: Factory installed orifices are calculated and sized based on a Natural Gas heating value of 1075 BTU/cu. ft. and an elevation of 0 - 2000 ft.

| Energy Value (BTU/cu. ft.) | Elevation (ft.) | | | | | | | |
|-------------------------------|-----------------|-------------|-------------|-------------|-------------|-------------|-------------|-------------|
| | 0 - 1999 | 2000 - 2999 | 3000 - 3999 | 4000 - 4999 | 5000 - 5999 | 6000 - 6999 | 7000 - 7999 | 8000 - 8999 |
| 850 | 62-22175-47 | 62-22175-48 | 62-22175-48 | 62-22175-49 | 62-22175-49 | 62-22175-49 | 62-22175-50 | 62-22175-50 |
| 900 | 62-22175-48 | 62-22175-49 | 62-22175-49 | 62-22175-49 | 62-22175-50 | 62-22175-50 | 62-22175-50 | 62-22175-51 |
| 975 | 62-22175-49 | 62-22175-50 | 62-22175-50 | 62-22175-50 | 62-22175-51 | 62-22175-51 | 62-22175-51 | 62-22175-52 |
| 1075 | 62-22175-50 | 62-22175-51 | 62-22175-51 | 62-22175-51 | 62-22175-51 | 62-22175-52 | 62-22175-52 | 62-22175-52 |
| 1170 | 62-22175-51 | 62-22175-51 | 62-22175-52 | 62-22175-52 | 62-22175-52 | 62-22175-53 | 62-22175-53 | 62-22175-53 |

90% GAS FURNACE - ORIFICE SELECTION CHART - LP

CAUTION: Selection of the correct LP Orifice requires the altitude of the specific installation (ft.).

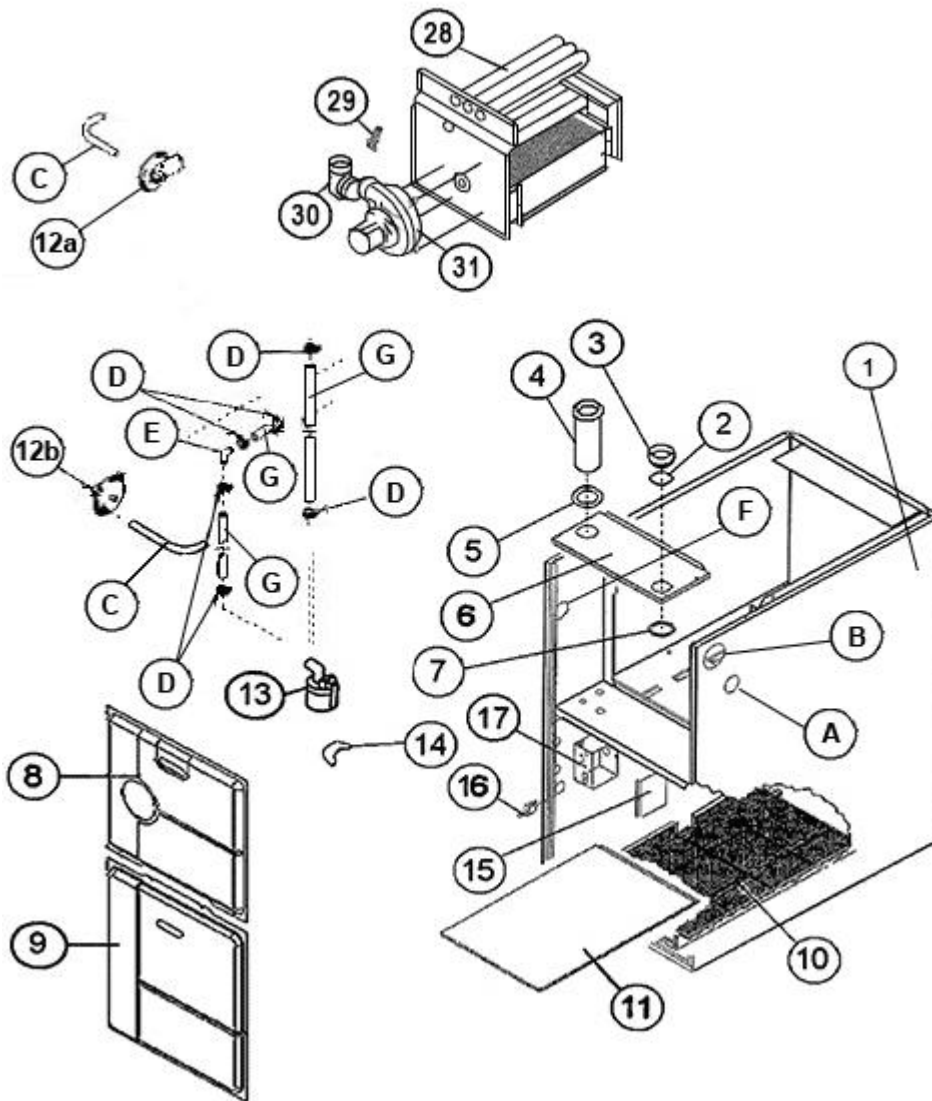
For detailed information and instructions for Orifice selection, see the Gas Furnace LP Conversion Kit Index 92-21519-59 and the latest edition of the National Fuel Gas Code Handbook (NFG), or the National Standard of Canada, Natural Gas and Propane Installation Code, CAN B149.1.

CAUTION: This information is provided for replacement purposes only. Conversion to LP or for operation at High Altitude should be done using the kit(s) specified on the product specification sheet for the unit.

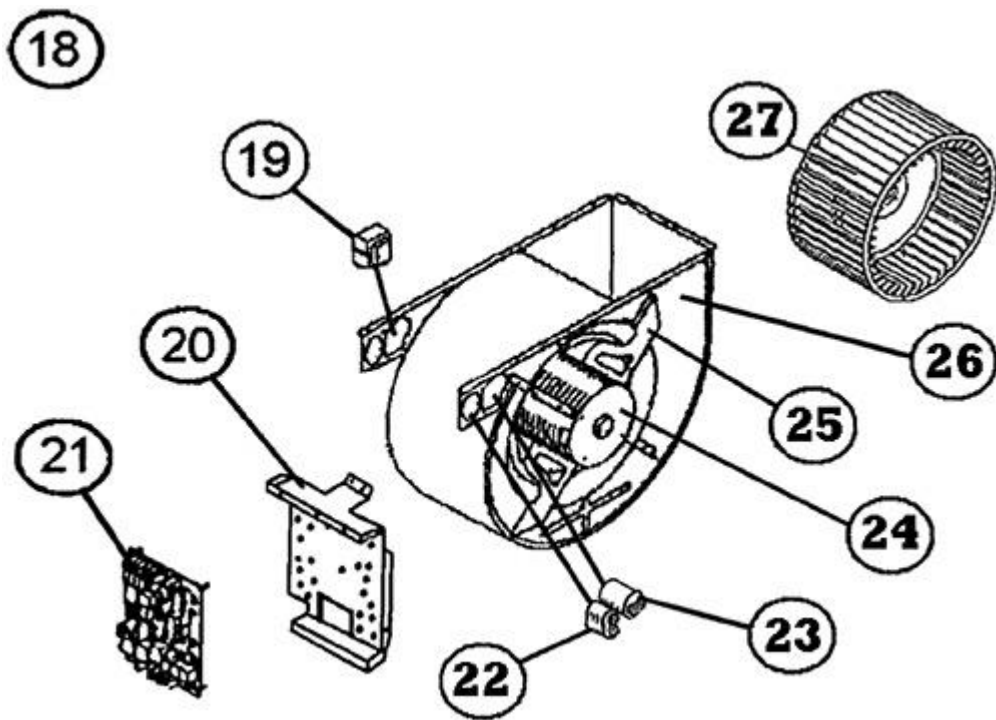
NOTE: This Orifice sizing chart is based on 15,000 BTU/HR per burner. Also, the chart is developed using the specified pressure setting of 10 in. water column instead of the 11.0 in water column used by the NFG and CANB149.1.

NOTE: Orifices supplied in the LP Conversion Kit are calculated and sized based on an altitude of 0 - 2000 ft.

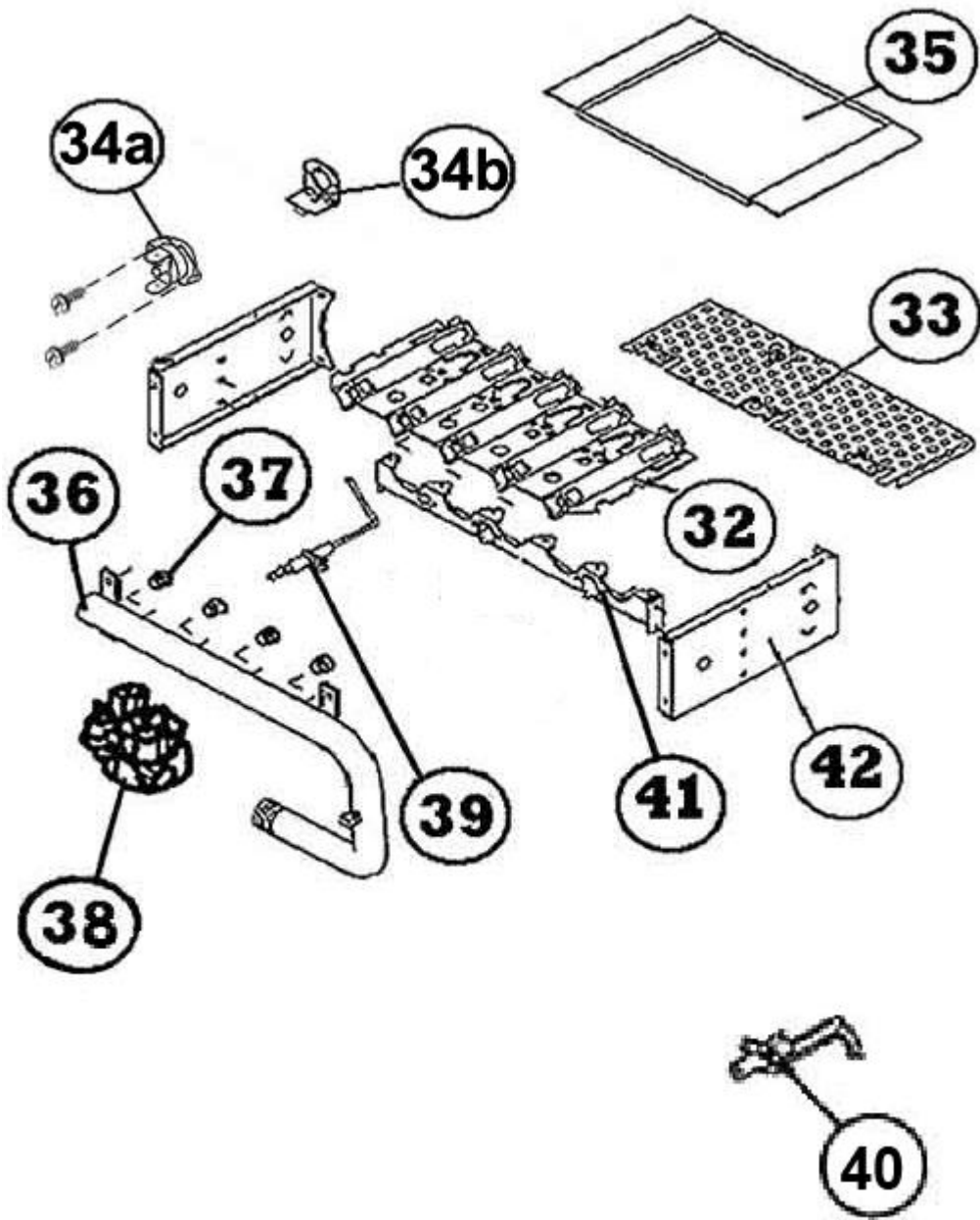
| Elevation (ft.) | Orifice | | | | | | | |
|-----------------|-------------|--|--|--|--|--|--|--|
| 0 to 2000 ft. | 62-22175-91 | | | | | | | |
| 2001 to 3000 | 62-22175-91 | | | | | | | |
| 3001 to 4000 | 62-22175-90 | | | | | | | |
| 4001 to 5000 | 62-22175-58 | | | | | | | |
| 5001 to 6000 | 62-22175-59 | | | | | | | |
| 6001 to 7000 | 62-22175-60 | | | | | | | |
| 7001 to 8000 | 62-22175-62 | | | | | | | |
| 8001 to 9000 | 62-22175-63 | | | | | | | |
| 9001 to 1000 | 62-22175-64 | | | | | | | |



Exploded View



Blower Assembly



Burner Assembly

NOTES

Stk It is recommended that stock be maintained for this part.
N/A Not Applicable
1 Order Gas Valve for Natural Gas along with LP Conversion Kit.