

This Owner's Manual is provided and hosted by [Appliance Factory Parts](#).



COMFORT-AIRE GTUA75-E4B Owner's Manual

[Shop genuine replacement parts for COMFORT-AIRE
GTUA75-E4B](#)



[Find Your COMFORT-AIRE HVAC Parts - Select From 1487 Models](#)

----- Manual continues below part list -----

Available Replacement Parts for COMFORT-AIRE GTUA75-E4B

| | |
|-----------------------------|------------------|
| 68-23473-01 | PVC VANE |
| 791001 | DRAIN TUBING KIT |

HEAT CONTROLLER, INC.

GTUA-EB

Parts List
22-July-2011



This parts list is current as of the above revision date.

Form Number: 92-42810-GTUA-EB

Table of Contents

| | |
|-----------------------------------|---------|
| Model Explanation | Page 3 |
| Parts Numbers | |
| Panels - Miscellaneous | Page 4 |
| Electrical Group | Page 5 |
| Blower Group | Page 5 |
| Heat Exchanger-Burner Group | Page 6 |
| Gas Controls | Page 6 |
| Orifice Selection Chart | Page 7 |
| Drawings/Photographs | |
| Exploded View | Page 8 |
| Blower Assembly | Page 9 |
| Burner Assembly | Page 10 |
| Notes | Page 11 |

MODEL NUMBER EXPLANATION

| | | | | | | | | | |
|----------|----------|----------|----------|----------|----------|----------|----------|----------|----------|
| G | T | U | A | 7 | 5 | - | E | 3 | B |
| 1 | 2 | 3 | 4 | 5 | | | | 6 | |

- (1) **GAS**
- (2) **90% - 2 Stage**
- (3) **UPFLOW CONDENSING**
- (4) **PLACEHOLDER**
- (5) **HEATING INPUT DESIGNATION**
 Electric Ignition Input BTU/HR
 45 = 45,000
 60 = 60,000
 75 = 75,000
 90 = 90,000
 10 = 105,000
- (6) **VARIATION**

SERIAL NUMBER EXPLANATION

| | | | | | | | | | | | | | | | |
|----------|----------|----------|----------|----------|----------|----------|----------|----------|----------|----------|----------|----------|----------|----------|----------|
| H | E | 5 | D | 7 | 0 | 7 | F | 3 | 1 | 0 | 8 | 9 | 9 | 9 | 9 |
| (1) | (2) | (3) | (4) | (5) | (6) | (7) | (8) | (9) | | | | (10) | | | |

- (1) **GAS CODE**
- (2) **LIMIT CONTROL**
- (3) **BLOWER**
- (4) **HEATING ELEMENT**
- (5) **SPECIAL AREA REQUIREMENT**
- (6) **MOTOR HORSEPOWER**
- (7) **PLANT**
- (8) **WEEK**
- (9) **YEAR**
- (10) **PRODUCTION NUMBER**

| No. | Notes | MODEL HEATING INPUT VARIATIONS | GTUA 45 -E3B | GTUA 60 -E3B | GTUA 75 -E3B | GTUA 75 -E4B | GTUA 90 -E5B | GTUA 105 -E5B |
|---|-------|---|--------------------------|--------------|--------------|--------------|--------------|---------------|
| PANELS, SHEET METAL, MISCELLANEOUS | | | | | | | | |
| 1 | | Jacket | AS-61824-25 | AS-61824-25 | AS-61824-25 | AS-61824-27 | AS-61824-26 | AS-61824-26 |
| 4 | | Outlet Air Pipe | 68-24021-01 | 68-24021-01 | 68-24021-01 | 68-24021-03 | 68-24021-01 | 68-24021-01 |
| 5 | | Gasket - Outlet Air Pipe | 68-24022-02 | 68-24022-02 | 68-24022-02 | 68-24022-02 | 68-24022-02 | 68-24022-02 |
| 6 | | Top Plate | AS-61872-01 | AS-61872-01 | AS-61872-01 | AS-61872-02 | AS-61872-02 | AS-61872-02 |
| 7 | | Locknut - Fresh Air Damper | 64-24031-01 | 64-24031-01 | 64-24031-01 | 64-24031-01 | 64-24031-01 | 64-24031-01 |
| 8 | | Burner Door | AS-61866-09 | AS-61866-09 | AS-61866-09 | AS-61867-09 | AS-61867-09 | AS-61867-09 |
| 9 | | Blower/Filter Door | AS-67890-11 | AS-67890-11 | AS-67890-11 | AS-67891-11 | AS-67891-11 | AS-67891-11 |
| 10 | | Filter - Plastic | 54-24094-01 | 54-24094-01 | 54-24094-01 | 54-24094-02 | 54-24094-02 | 54-24094-02 |
| | | Filter Retainer Rod | 45-24095-01 | 45-24095-01 | 45-24095-01 | 45-24095-01 | 45-24095-01 | 45-24095-01 |
| | | Filter Rod Support Angle | AE-60520-01 | AE-60520-01 | AE-60520-01 | AE-60520-01 | AE-60520-01 | AE-60520-01 |
| | | Filter Support Angle | AE-61883-01 | AE-61883-01 | AE-61883-01 | AE-61883-01 | AE-61883-01 | AE-61883-01 |
| 11 | | Solid Bottom | AE-61874-02 | AE-61874-02 | AE-61874-02 | AE-61874-03 | AE-61874-03 | AE-61874-03 |
| | | Button Plug - 2 in. opening | 45-22980-08 | 45-22980-08 | 45-22980-08 | 45-22980-08 | 45-22980-08 | 45-22980-08 |
| | | Button Plug (2) - 2-3/8 in. opening | 45-22980-03 | 45-22980-03 | 45-22980-03 | 45-22980-03 | 45-22980-03 | 45-22980-03 |
| 12 | | Pressure Switch Assembly | See Electrical Group | | | | | |
| | | Silicon Tubing - Pressure Switch | AE-61737-10 | AE-61737-10 | AE-61737-10 | AE-61737-10 | AE-61737-10 | AE-61737-10 |
| 13 | | Trap / Elbow Assembly | 68-100651-01 | 68-100651-01 | 68-100651-01 | 68-100651-01 | 68-100651-01 | 68-100651-01 |
| 14 | | Water Trap Mount Bracket | AE-61841-01 | AE-61841-01 | AE-61841-01 | AE-61841-01 | AE-61841-01 | AE-61841-01 |
| 15 | | Junction Box Cover | AE-61476-02 | AE-61476-02 | AE-61476-02 | AE-61476-02 | AE-61476-02 | AE-61476-02 |
| 16 | | Door Switch (Push Button) | See Electrical Group | | | | | |
| 17 | | Junction Box | AE-61475-02 | AE-61475-02 | AE-61475-02 | AE-61475-02 | AE-61475-02 | AE-61475-02 |
| | | Grommet (5/8 in. Tube) | 56-22521-03 | 56-22521-03 | 56-22521-03 | 56-22521-03 | 56-22521-03 | 56-22521-03 |
| | | Grommet (1/2 in. I.D.) | 56-24008-01 | 56-24008-01 | 56-24008-01 | 56-24008-01 | 56-24008-01 | 56-24008-01 |
| | | Grommet (1/4 in. I.D.) | 56-24008-02 | 56-24008-02 | 56-24008-02 | 56-24008-02 | 56-24008-02 | 56-24008-02 |
| | | Grommet (2 in. opening) | 56-22114-06 | 56-22114-06 | 56-22114-06 | 56-22114-06 | 56-22114-06 | 56-22114-06 |
| 28 | | Heat Exchanger | See Heat Exchanger Group | | | | | |
| 29 | | Limit - Main Limit (Heat Exchanger Panel) | See Electrical Group | | | | | |
| | | Limit - Manual Reset (Burner Compartment) | See Electrical Group | | | | | |
| 30 | | Connector/Transition | 68-24047-07 | 68-24047-07 | 68-103061-01 | 68-24047-08 | 68-24047-08 | 68-24047-08 |
| 31 | | Induced Draft Blower w/Gasket | See Electrical Group | | | | | |
| | | Tubing - Includes Two Hose Clamps (3) | 79-25353-82 | 79-25353-82 | 79-25353-82 | 79-25353-82 | 79-25353-82 | 79-25353-82 |
| | | Tubing Drain Trap (Induced Draft Blower - Includes two Hose Clamps) | 791000 | 791000 | 791000 | 791001 | 791001 | 791001 |
| | | Elbow (Induced Draft Blower - 1/2 in. barbed) | 68-24013-01 | 68-24013-01 | 68-24013-01 | 68-24013-01 | 68-24013-01 | 68-24013-01 |

| No. | Notes | MODEL HEATING INPUT VARIATIONS | GTUA ALL ALL | | | | | |
|------------------|-------|--|--------------|--|--|--|--|--|
| PARTS BAG | | | | | | | | |
| | | Complete Parts Bag | AS-100717-01 | | | | | |
| 2 | | O-Ring - Fresh Air Damper | 68-24032-01 | | | | | |
| 3 | | Adapter - Fresh Air Damper and Locknut | 68-24114-01 | | | | | |
| | | 1/2 in. Tee | 68-21980-02 | | | | | |
| | | 1/2 in. PVC Pipe - 4 in. | 68-22024-04 | | | | | |
| | | Plug - Nylon - 7/8 in. | 45-22926-01 | | | | | |
| | | Plug - Nylon 1-1/8 in. | 45-22926-02 | | | | | |
| | | PVC Vane | 68-23473-01 | | | | | |
| | | PVC Wind Vane - 2-1/2 in. | 68-24049-01 | | | | | |
| | | Hose Clamp | 64-22043-01 | | | | | |
| | | Hose Clamp (2) | 64-22043-02 | | | | | |

| No. | Notes | MODEL HEATING INPUT VARIATIONS | GTUA 45 -E3B | GTUA 60 -E3B | GTUA 75 -E3B | GTUA 75 -E4B | GTUA 90 -E5B | GTUA 105 -E5B |
|-------------------------|-------|--|--------------------|--------------------|--------------------|--------------------|--------------------|---------------------|
| ELECTRICAL GROUP | | | | | | | | |
| 12 | Stk | Pressure Switch Assembly - Before F3010 | 42-102056-01 | 42-102056-06 | 42-102056-13 | 42-102056-02 | 42-102056-03 | 42-103193-01 |
| 12 | Stk | Pressure Switch Assembly - After F3010 | 42-102056-01 | 42-102056-06 | 42-102056-22 | 42-102056-02 | 42-102056-03 | 42-102056-01 |
| 16 | | Door Switch (Push Button) | 42-22692-09 | 42-22692-09 | 42-22692-02 | 42-22692-09 | 42-22692-09 | 42-22692-09 |
| 19 | Stk | Transformer | 46-24124-03 | 46-24124-03 | 46-22863-04 | 46-22863-04 | 46-24124-03 | 46-24124-03 |
| 21 | | Integrated Furnace Control Board (IFC) | See Gas Controls | | | | | |
| 29 | Stk | Limit - Main Limit (Heat Exchanger Panel) | 47-25350-06 | 47-25350-05 | 47-25350-09 | 47-25350-01 | 47-25350-01 | 47-25350-07 |
| 34a | Stk | Limit - Manual Reset (Burner Compartment) | 47-22861-02 (1) | 47-22861-02 (1) | 47-22861-02 (2) | 47-22861-02 (2) | 47-22861-02 (2) | 47-22861-02 (2) |
| 31 | Stk,3 | Induced Draft Blower w/Gasket - See Note 3 | 70-100612-03 | 70-100612-03 | 70-100612-03 | 70-100612-03 | 70-100612-03 | 70-100612-03 |
| 23 | Stk,3 | Capacitor - Induced Draft Blower (Before F3010) - See Note 3 | 43-100496-03 | 43-100496-03 | 43-100496-03 | 43-100496-03 | 43-100496-03 | 43-100496-03 |
| 23 | Stk,3 | Capacitor - Induced Draft Blower (After F3010) - See Note 3 | 43-25134-35 | 43-25134-35 | 43-25134-35 | 43-25134-35 | 43-25134-35 | 43-25134-35 |
| | | Twist Lock Wiring Harnesses - 15 pin to (5 pin/3 pin/6 terminals), 14 wires from 15 pin (Before F3010) | 45-24393-06 | 45-24393-06 | 45-24393-06 | 45-24393-06 | 45-24393-06 | 45-24393-06 |
| | | Twist Lock Wiring Harnesses - 15 pin to (5 pin/3 pin/6 terminals), 12 wires from 15 pin (After F3010) | 45-24393-08 | 45-24393-08 | 45-24393-08 | 45-24393-08 | 45-24393-08 | 45-24393-08 |
| | | Wiring Harnesses - 2 pin to 2 terminals | 45-24371-23 | 45-24371-23 | 45-24371-23 | 45-24371-23 | 45-24371-23 | 45-24371-23 |
| | | Wiring Harnesses - 2 pin to (1 terminal/1 strip back) | 45-24371-37 | 45-24371-37 | 45-24371-37 | 45-24371-37 | 45-24371-37 | 45-24371-37 |
| | | Wiring Harnesses - 15 pin to (12 pin/3 pin/2 flag terminals), 14 wires from 15 pin (Before F3010) | 45-102667-01 | 45-102667-01 | 45-102667-01 | 45-102667-01 | 45-102667-01 | 45-102667-01 |
| | | Wiring Harnesses - 15 pin to (12 pin and 3 pin), 12 wires from 15 pin (After F3010) | 45-102667-03 | 45-102667-03 | 45-102667-03 | 45-102667-03 | 45-102667-03 | 45-102667-03 |
| | | Wiring Harness - 6 pin to (2 pin/2 flag terminals), 4 wires from 6 pin | See Gas Controls | | | | | |

| No. | Notes | MODEL HEATING INPUT VARIATIONS | GTUA 45 -E3B | GTUA 60 -E3B | GTUA 75 -E3B | GTUA 75 -E4B | GTUA 90 -E5B | GTUA 105 -E5B |
|---------------------|-------|--|----------------------|--------------------|--------------------|--------------------|--------------------|---------------------|
| BLOWER GROUP | | | | | | | | |
| 18 | Stk | Blower Assembly (Includes items 22, 24-27) | AS-61697-15 | AS-61697-15 | AS-61697-15 | AS-61697-19 | AS-61697-18 | AS-61697-18 |
| 19 | | Transformer | See Electrical Group | | | | | |
| 20 | | Mounting Plate - Control | AE-67877-01 | AE-67877-01 | AE-67877-01 | AE-67877-01 | AE-67877-01 | AE-67877-01 |
| 21 | | Integrated Furnace Control Board (IFC) | See Gas Controls | | | | | |
| 22 | Stk | Capacitor - Blower Motor | 43-101666-42 | 43-101666-42 | 43-101666-42 | 43-100509-43 | 43-100509-43 | 43-100509-43 |
| 23 | | Capacitor - Induced Draft Blower | See Electrical Group | | | | | |
| 24 | Stk | Blower Motor | 51-24042-01 | 51-24042-01 | 51-24042-01 | 51-24043-01 | 51-24043-01 | 51-24043-01 |
| 25 | | Motor Mount Leg (4) | AE-61698-02 | AE-61698-02 | AE-61698-02 | AE-61698-02 | AE-61698-02 | AE-61698-02 |
| 26 | | Housing | AS-61674-02 | AS-61674-02 | AS-61674-02 | AS-61674-02 | AS-61674-08 | AS-61674-08 |
| 27 | Stk | Blower Wheel | 70-22688-01 | 70-22688-01 | 70-22688-01 | 70-24119-01 | 70-24041-01 | 70-24041-01 |

| No. | Notes | MODEL HEATING INPUT VARIATIONS | GTUA 45 -E3B | GTUA 60 -E3B | GTUA 75 -E3B | GTUA 75 -E4B | GTUA 90 -E5B | GTUA 105 -E5B |
|--|-------|---|-----------------------------|--------------------|--------------------|--------------------|--------------------|---------------------|
| HEAT EXCHANGER, BURNER / MANIFOLD | | | | | | | | |
| 28 | Stk | Heat Exchanger | AS-61805-29 | AS-61805-30 | AS-61805-36 | AS-61805-33 | AS-61805-32 | AS-103085-01 |
| 29 | | Limit - Main Limit (Heat Exchanger Panel) | See Electrical Group | | | | | |
| 31 | | Induced Draft Blower w/Gasket | See Electrical Group | | | | | |
| 32 | Stk | Burner Assembly | AS-61984-03 | AS-61984-04 | AS-61984-05 | AS-61984-05 | AS-61984-06 | AS-61984-07 |
| 33 | | Burner Diffuser | AE-61882-12 | AE-61882-11 | AE-61882-07 | AE-61882-07 | AE-61882-08 | AE-61882-09 |
| 34a | | Limit - Manual Reset (Burner Compartment) | See Electrical Group | | | | | |
| 34b | | Bracket - Limit Control | AE-61913-02 (1) | AE-61913-02 (1) | AE-61913-02 (2) | AE-61913-02 (2) | AE-61913-02 (2) | AE-61913-02 (2) |
| 35 | | Burner Shield | AE-61807-01 | AE-61807-02 | AE-61807-03 | AE-61807-03 | AE-61807-04 | AE-61807-05 |
| 36 | Stk | Manifold (w/o Orifices) | 81-24395-01 | 81-24395-02 | 81-24395-03 | 81-24395-03 | 81-24395-04 | 81-24395-05 |
| 37 | | Burner Orifice - Natural Gas | See Orifice Selection Chart | | | | | |
| 37 | | Burner Orifice - LP | See Orifice Selection Chart | | | | | |
| | | Number of Orifices | (3) | (4) | (5) | (5) | (6) | (7) |
| 41 | | Burner Support | AE-61809-11 | AE-61809-12 | AE-61809-13 | AE-61809-13 | AE-61809-14 | AE-61809-15 |
| 42 | | Burner Support Bracket (2) | AE-61808-01 | AE-61808-01 | AE-61808-01 | AE-61808-01 | AE-61808-01 | AE-61808-01 |

| No. | Notes | MODEL GAS CODE | GTUA GD | GTUA GL | GTUA GM | GTUA GT | GTUA GV | GTUA HE |
|---------------------|-------|--|--------------|--------------|--------------|--------------|--------------|--------------|
| GAS CONTROLS | | | | | | | | |
| 21 | Stk | Integrated Furnace Control Board (IFC) | 62-100610-01 | 62-100610-02 | 62-100610-02 | 62-100610-02 | 62-102636-01 | 62-102636-01 |
| 38 | Stk | Gas Valve - Natural Gas | 60-23490-12 | 60-101921-01 | 60-23490-12 | 60-101921-01 | 60-101921-01 | 60-24394-01 |
| 38 | Stk,1 | Gas Valve - LP | See Note 1 | See Note 1 | See Note 1 | See Note 1 | See Note 1 | See Note 2 |
| 39 | Stk | Flame Sensor | 62-23543-01 | 62-23543-01 | 62-23543-01 | 62-23543-01 | 62-23543-01 | 62-23543-01 |
| 40 | Stk | Ignitor - Direct Spark | 62-24141-04 | 62-24271-02 | 62-24271-02 | 62-24141-04 | 62-24141-04 | 62-24141-04 |
| | | Bracket - Direct Spark | AE-61885-02 | N/A | N/A | AE-61885-02 | AE-61885-02 | AE-61885-02 |
| | Stk | LP Conversion Kit - U.S. Models | FP-17 | FP-21 | FP-17 | FP-21 | FP-21 | FP-26 |
| | Stk | LP Conversion Kit - Canadian Models | FP-19 | FP-21 | FP-19 | FP-21 | FP-21 | FP-26 |
| | | Wiring Harness - 6 pin to (2 pin/2 flag terminals), 4 wires from 6 pin | 45-24371-27 | N/A | N/A | 45-24371-27 | N/A | N/A |

90% GAS FURNACE - ORIFICE SELECTION CHART - NATURAL GAS

CAUTION: Selection of the correct Natural Gas Orifice requires the following information for the specific installation:

- 1) Altitude in of the installation (ft.).
- 2) Average energy content of the Natural Gas fuel from the local supplier (BTU/cu. ft.).

For detailed information and instructions for Orifice selection, see the Gas Furnace LP Conversion Kit Index 92-21519-59 and the latest edition of the National Fuel Gas Code Handbook, or the National Standard of Canada, Natural Gas and Propane Installation Code, CAN B149.1.

CAUTION: This information is provided for replacement purposes only. Conversion for operation at High Altitude must be done using the kit specified on the product specification sheet for the unit.

NOTE: This Orifice sizing chart is based on 15,000 BTU/HR per burner.

NOTE: Factory installed orifices are calculated and sized based on a Natural Gas heating value of 1075 BTU/cu. ft. and an elevation of 0 - 2000 ft.

| Energy Value (BTU/cu. ft.) | Elevation (ft.) | | | | | | | |
|-------------------------------|-----------------|-------------|-------------|-------------|-------------|-------------|-------------|-------------|
| | 0 - 1999 | 2000 - 2999 | 3000 - 3999 | 4000 - 4999 | 5000 - 5999 | 6000 - 6999 | 7000 - 7999 | 8000 - 8999 |
| 850 | 62-22175-47 | 62-22175-48 | 62-22175-48 | 62-22175-49 | 62-22175-49 | 62-22175-49 | 62-22175-50 | 62-22175-50 |
| 900 | 62-22175-48 | 62-22175-49 | 62-22175-49 | 62-22175-49 | 62-22175-50 | 62-22175-50 | 62-22175-50 | 62-22175-51 |
| 975 | 62-22175-49 | 62-22175-50 | 62-22175-50 | 62-22175-50 | 62-22175-51 | 62-22175-51 | 62-22175-51 | 62-22175-52 |
| 1075 | 62-22175-50 | 62-22175-51 | 62-22175-51 | 62-22175-51 | 62-22175-51 | 62-22175-52 | 62-22175-52 | 62-22175-52 |
| 1170 | 62-22175-51 | 62-22175-51 | 62-22175-52 | 62-22175-52 | 62-22175-52 | 62-22175-53 | 62-22175-53 | 62-22175-53 |

90% GAS FURNACE - ORIFICE SELECTION CHART - LP

CAUTION: Selection of the correct LP Orifice requires the altitude of the specific installation (ft.).

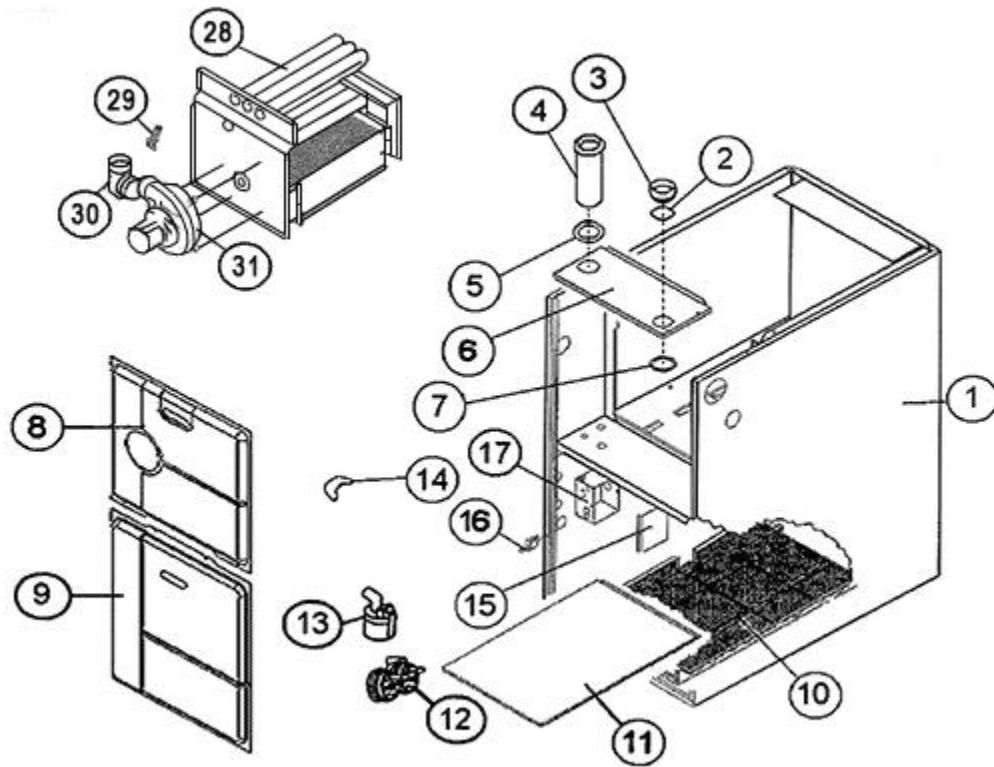
For detailed information and instructions for Orifice selection, see the Gas Furnace LP Conversion Kit Index 92-21519-59 and the latest edition of the National Fuel Gas Code Handbook (NFG), or the National Standard of Canada, Natural Gas and Propane Installation Code, CAN B149.1.

CAUTION: This information is provided for replacement purposes only. Conversion to LP or for operation at High Altitude should be done using the kit(s) specified on the product specification sheet for the unit.

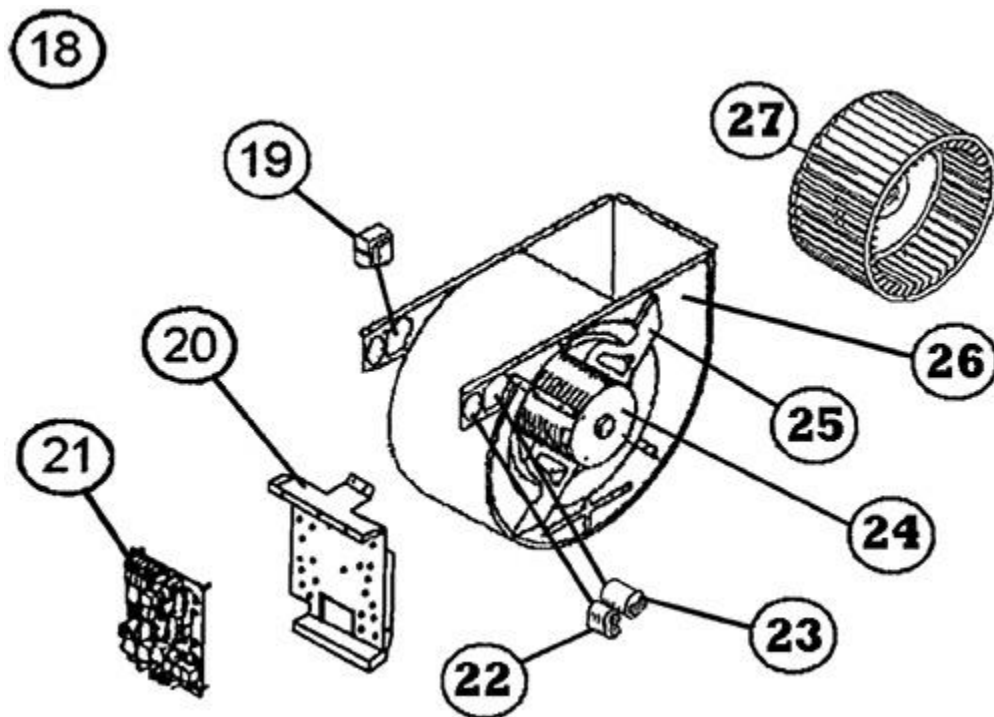
NOTE: This Orifice sizing chart is based on 15,000 BTU/HR per burner. Also, the chart is developed using the specified pressure setting of 10 in. water column instead of the 11.0 in water column used by the NFG and CANB149.1.

NOTE: Orifices supplied in the LP Conversion Kit are calculated and sized based on an altitude of 0 - 2000 ft.

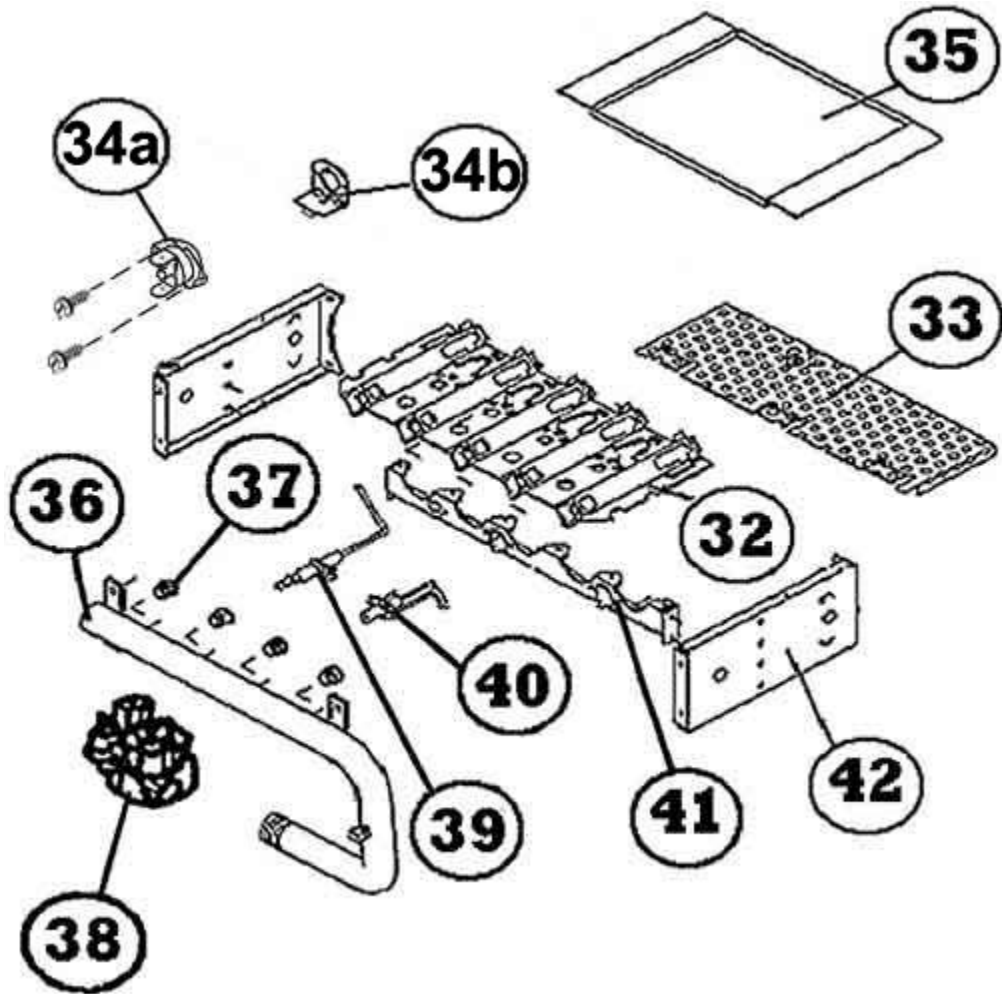
| Elevation (ft.) | Orifice | | | | | | | |
|-----------------|-------------|--|--|--|--|--|--|--|
| 0 to 2000 ft. | 62-22175-91 | | | | | | | |
| 2001 to 3000 | 62-22175-91 | | | | | | | |
| 3001 to 4000 | 62-22175-90 | | | | | | | |
| 4001 to 5000 | 62-22175-58 | | | | | | | |
| 5001 to 6000 | 62-22175-59 | | | | | | | |
| 6001 to 7000 | 62-22175-60 | | | | | | | |
| 7001 to 8000 | 62-22175-62 | | | | | | | |
| 8001 to 9000 | 62-22175-63 | | | | | | | |
| 9001 to 1000 | 62-22175-64 | | | | | | | |



Exploded View



Blower Assembly



Burner Assembly

NOTES

Stk It is recommended that stock be maintained for this part.

N/A Not Applicable

- 1 Order the specified LP Conversion Kit.
- 2 Order Gas Valve for Natural Gas along with LP Conversion Kit
- 3 The Induced Draft Blower utilized before F3010, used a remotely mounted Capacitor. Blowers after this date include a Capacitor with the Induced Draft Blower.