

This Owner's Manual is provided and hosted by [Appliance Factory Parts](#).



# COMFORT-AIRE HRG1430-1B Owner's Manual

[Shop genuine replacement parts for COMFORT-AIRE  
HRG1430-1B](#)



[Find Your COMFORT-AIRE HVAC Parts - Select From 1486 Models](#)

----- Manual continues below -----

# HRG14-1B

HEAT CONTROLLER, INC.

Parts List  
09-March-2012



*This parts list is current as of the above revision date.*

Form Number: 92-42810-HRG14-1B

# Table of Contents

Model Explanation .....	Page 3
Parts Numbers	
Panels - Miscellaneous .....	Page 4
Electrical-Fan Group .....	Page 5
Coil Parts .....	Page 6
Compressor Group .....	Page 7
Accessories .....	Page 8
Drawings/Photographs	
Exploded View .....	Page 9
Control Box Assembly .....	Page 10
Valve Mounting Detail .....	Page 11
Notes .....	Page 12

**MODEL NUMBER EXPLANATION**

<b>H</b>	<b>R</b>	<b>G</b>	<b>1</b>	<b>4</b>	<b>1</b>	<b>8</b>	<b>-</b>	<b>1</b>	<b>B</b>
<b>1</b>			<b>2</b>			<b>3</b>			

- (1) SERIES**
- (2) COOLING CAPACITY (BTU/HR)**
  - 18= 18,000
  - 24= 24,000
  - 30= 30,000
  - 36= 36,000
  - 42= 42,000
  - 48= 48,000
  - 60= 60,000
- (3) OPTIONS**

**SERIAL NUMBER EXPLANATION**

<b>7</b>	<b>9</b>	<b>7</b>	<b>8</b>	<b>N</b>	<b>0</b>	<b>2</b>	<b>0</b>	<b>9</b>	<b>9</b>	<b>9</b>	<b>9</b>	<b>9</b>
<b>1</b>				<b>2</b>	<b>3</b>		<b>4</b>		<b>5</b>			

- (1) COMPRESSOR IDENTIFICATION NUMBER**
- (2) PRODUCTION LOCATION**
- (3) WEEK OF PRODUCTION**
- (4) YEAR OF PRODUCTION**
- (5) PRODUCTION NUMBER**

No.	Notes	MODEL COOLING CAPACITY VARIATION	HRG14 18 1B	HRG14 24 1B	HRG14 30 1B	HRG14 36 1B
<b>SHEET METAL PARTS, MISCELLANEOUS</b>						
1		Cabinet	AE-100726-32	AE-100726-32	AE-100726-33	AE-100726-34
2		Cabinet Panel	AE-100727-32	AE-100727-32	AE-100727-33	AE-100727-34
3		Base Pan	AS-100058-02	AS-100058-02	AE-101588-03	AE-101588-03
4		Control Box - 2 inch diameter capacitor	AE-100654-31	AE-100654-31	AE-100654-31	AE-100654-33
4		Control Box - 2-1/2 inch diameter capacitor	N/A	N/A	AE-100654-32	AE-100654-34
5		Control Box Cover	AE-100657-31	AE-100657-31	AE-100657-31	AE-100657-31
6		Top Panel - ICECO Gray	AE-100652-02	AE-100652-02	AE-100652-03	AE-100652-03
6		Top Panel - Private Label Gray	AE-100652-32	AE-100652-32	AE-100652-33	AE-100652-33
8		Grille	95-100906-03	95-100906-03	95-100906-04	95-100906-04
		Center Cap - Blank (for Grille)	91-101123-09	91-101123-09	91-101123-09	91-101123-09
12		Valve Mounting Panel	AE-57780-01	AE-57780-01	AE-57780-01	AE-100185-31
14		Service Valve - Suction	See Coil Group			
15		Service Valve - Liquid	See Coil Group			
17		Low Voltage Cover	AE-57756-01	AE-57756-01	AE-57756-01	AE-57756-01
		Touch-up Paint - ICECO Gray (Aerosol)	523009	523009	523009	523009
		Touch-up Paint - ICECO Gray (Paint Pens)	523011	523011	523011	523011
		Touch-up Paint - Private Label Gray (Aerosol)	523014	523014	523014	523014
		Touch-up Paint - Private Label Gray (Paint Pens)	523015	523015	523015	523015

No.	Notes	MODEL COOLING CAPACITY VARIATION	HRG14 42 1B	HRG14 48 1B	HRG14 60 1B	
<b>SHEET METAL PARTS, MISCELLANEOUS</b>						
1		Cabinet	AE-100726-34	AE-100726-34	AE-100726-34	
2		Cabinet Panel	AE-100727-34	AE-100727-34	AE-100727-34	
3		Base Pan	AE-101588-03	AE-101588-03	AE-101588-03	
4		Control Box - 2 inch diameter capacitor	AE-100654-33	N/A	N/A	
4		Control Box - 2-1/2 inch diameter capacitor	AE-100654-34	AE-100654-34	AE-100654-34	
5		Control Box Cover	AE-100657-31	AE-100657-31	AE-100657-31	
6		Top Panel - ICECO Gray	AE-100652-03	AE-100652-03	AE-100652-03	
6		Top Panel - Private Label Gray	AE-100652-33	AE-100652-33	AE-100652-33	
8		Grille	95-100906-04	95-100906-04	95-100906-04	
		Center Cap - Blank (for Grille)	91-101123-09	91-101123-09	91-101123-09	
12		Valve Mounting Panel	AE-100185-31	AE-100185-31	AE-100185-31	
14		Service Valve - Suction	See Coil Group			
15		Service Valve - Liquid	See Coil Group			
17		Low Voltage Cover	AE-57756-01	AE-57756-01	AE-57756-01	
		Touch-up Paint - ICECO Gray (Aerosol)	523009	523009	523009	
		Touch-up Paint - ICECO Gray (Paint Pens)	523011	523011	523011	
		Touch-up Paint - Private Label Gray (Aerosol)	523014	523014	523014	
		Touch-up Paint - Private Label Gray (Paint Pens)	523015	523015	523015	

No.	Notes	MODEL COOLING CAPACITY VARIATION	HRG14	HRG14	HRG14	HRG14
			18 1B	24 1B	30 1B	36 1B
<b>ELECTRICAL/FAN GROUP</b>						
7	Stk	Fan Motor	51-101774-02	51-101774-02	51-102008-07	51-102008-07
9	Stk	Fan Blade	70-102033-02	70-102033-02	70-102011-10	70-102011-10
16	Stk	Contactora	42-42478-03	42-42478-03	42-42478-03	42-42478-03
17		Low Voltage Cover	See Panels - Miscellaneous			
18		Control Box Bottom	AE-100655-01	AE-100655-01	AE-100655-01	AE-100655-01
19		Capacitor	See Compressor Group			
20	Stk	Defrost Control Board	47-102684-01	47-102684-01	47-102684-01	47-102684-01
21		Low Ambient Control	See Accessories Group			

No.	Notes	MODEL COOLING CAPACITY VARIATION	HRG14	HRG14		
			42 1B	48 1B		
<b>ELECTRICAL/FAN GROUP</b>						
7	Stk	Fan Motor - Before Date Code 3110	51-102008-07	51-102728-12		
7	Stk	Fan Motor - After Date Code 3110	51-102008-07	51-102008-09		
9	Stk	Fan Blade	70-102011-10	70-21858-17		
16	Stk	Contactora	42-42478-03	42-42478-02		
17		Low Voltage Cover	See Panels - Miscellaneous			
18		Control Box Bottom	AE-100655-01	AE-100655-01		
19		Capacitor	See Compressor Group			
20	Stk	Defrost Control Board	47-102684-01	47-102684-05		
21		Low Ambient Control	See Accessories Group			

No.	Notes	MODEL COOLING CAPACITY VARIATION	HRG14			
			60 1B			
<b>ELECTRICAL/FAN GROUP</b>						
7	Stk	Fan Motor - Before Date Code 1112	51-102728-12			
7	Stk	Fan Motor - After Date Code 1112	51-102008-09			
9	Stk	Fan Blade	70-21858-17			
16	Stk	Contactora	42-42478-02			
17		Low Voltage Cover	See Panels - Miscellaneous			
18		Control Box Bottom	AE-100655-01			
19		Capacitor	See Compressor Group			
20	Stk	Defrost Control Board - Before Date Code 1112	47-102685-04			
20	Stk	Defrost Control Board - After Date Code 1112	47-102684-02			
21		Low Ambient Control	See Accessories Group			

No.	Notes	MODEL COOLING CAPACITY VARIATION	HRG14	HRG14	HRG14	HRG14
			18 1B	24 1B	30 1B	36 1B
<b>COIL GROUP</b>						
11	Stk	Condenser Coil	AS-103032-03	AS-103032-03	AS-101768-03	AS-103014-03
13		Valve Mounting Bracket	AE-57781-01	AE-57781-01	AE-57781-02	AE-57781-02
14		Service Valve - Suction	61-21368-23	61-21368-23	61-21368-07	61-21368-07
15		Service Valve - Liquid	61-21368-05	61-21368-05	61-21368-05	61-21368-05
22		Bulkhead Valve	61-22369-04	61-22369-04	61-22369-04	61-22369-04
		Locknut - Bulkhead Valve	63-22368-01	63-22368-01	63-22368-01	63-22368-01
		Access Valve Body	61-18542-01	61-18542-01	61-18542-01	61-18542-01
		Valve Core	61-18551-01	61-18551-01	61-18551-01	61-18551-01
		Valve Cap	83-100635-01	83-100635-01	83-100635-01	83-100635-01
	Stk	Filter Drier	83-41719-04	83-41719-04	83-41719-04	83-41719-04
		Charge Compensator	N/A	N/A	N/A	83-25361-01
		TXV/Distributor Assembly	61-102437-02	61-102437-02	61-102437-03	61-102437-03
	Stk	Reversing Valve	61-102498-04	61-102498-02	61-102498-02	61-102498-02
	Stk	Solenoid Coil - Reversing Valve	61-101713-92	61-101713-92	61-101713-92	61-101713-92
		Wiring Harness - Reversing Valve	61-26149-03	61-26149-03	61-26149-03	61-26149-03

No.	Notes	MODEL COOLING CAPACITY VARIATION	HRG14	HRG14	HRG14	
			42 1B	48 1B	60 1B	
<b>COIL GROUP</b>						
11	Stk	Condenser Coil	AS-101760-03	AS-101771-01	AS-101771-01	
13		Valve Mounting Bracket	AE-57781-02	AE-57781-02	AE-57781-02	
14		Service Valve - Suction	61-21368-22	61-21368-08	61-21368-08	
15		Service Valve - Liquid	61-21368-05	61-21368-05	61-21368-05	
22		Bulkhead Valve	61-22369-04	61-22369-04	61-22369-04	
		Locknut - Bulkhead Valve	63-22368-01	63-22368-01	63-22368-01	
		Access Valve Body	61-18542-01	61-18542-01	61-18542-01	
		Valve Core	61-18551-01	61-18551-01	61-18551-01	
		Valve Cap	83-100635-01	83-100635-01	83-100635-01	
	Stk	Filter Drier	83-41719-04	83-41719-04	83-41719-04	
		Charge Compensator	N/A	83-25361-09	N/A	
		TXV/Distributor Assembly	61-102437-05	61-102437-08	61-102437-08	
	Stk,1	Reversing Valve - See Note 1	61-102498-02	61-101684-06	61-101684-03	
	Stk	Solenoid Coil - Reversing Valve	61-101713-92	61-101713-01	61-101713-01	
		Wiring Harness - Reversing Valve	61-26149-03	61-26149-03	61-26149-03	

No.	Notes	MODEL COOLING CAPACITY VARIATION	HRG14 18 1B	HRG14 24 1B	HRG14 30 1B	HRG14 36 1B
<b>COMPRESSOR GROUP</b>						
		<b>Compressor ID:</b>	<b>7978</b>	<b>7979</b>	<b>7980</b>	<b>7981</b>
10	Stk	Compressor	55-102045-14S	55-102045-01S	55-102045-02S	55-102045-03S
19	Stk	Capacitor - Fan/Compressor (2 inch diameter)	43-26261-40	43-101665-09	43-26271-46	43-26271-48
19	Stk	Capacitor - Fan/Compressor (2-1/2 inch diameter)	N/A	N/A	43-101665-46	43-101665-48
	Stk	Compressor Wiring Harness (Molded Plug)	45-100834-80	45-100834-80	45-100834-80	45-100834-80
		Crankcase Heater	N/A	N/A	N/A	N/A
		Muffler	83-26251-01	83-26251-01	83-26251-01	83-26251-01
		Charge Compensator	See Coil Group			

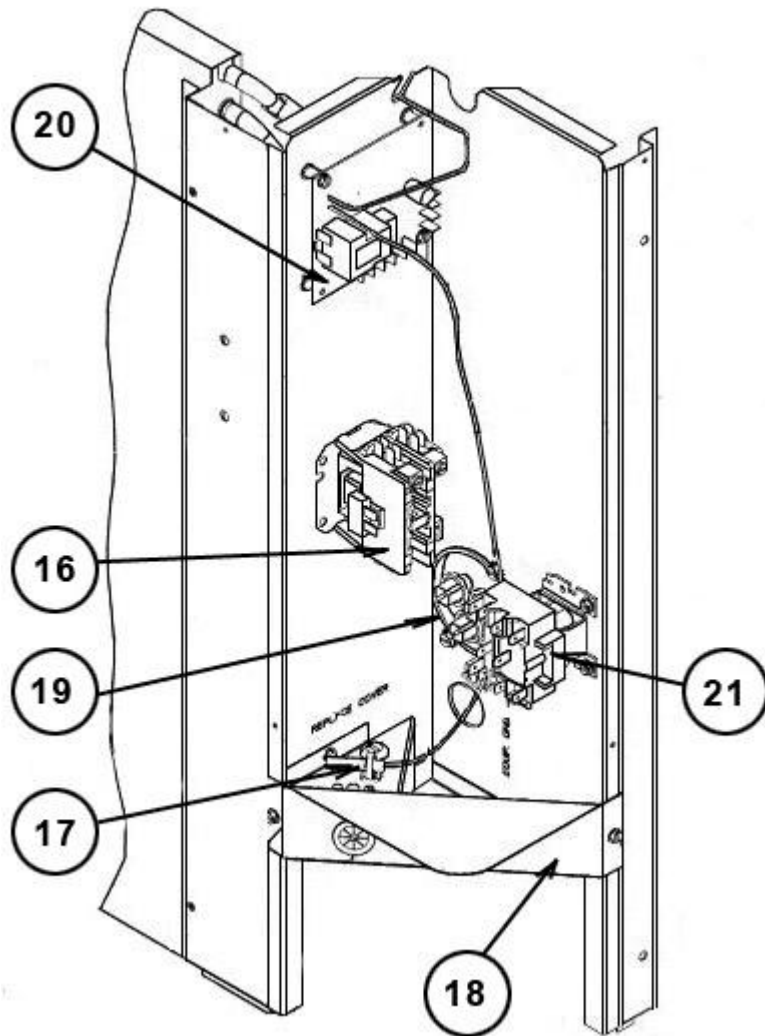
No.	Notes	MODEL COOLING CAPACITY VARIATION	HRG14 42 1B	HRG14 48 1B	HRG14 60 1B	
<b>COMPRESSOR GROUP</b>						
		<b>Compressor ID:</b>	<b>7982</b>	<b>7983</b>	<b>7984</b>	
10	Stk	Compressor	55-102045-15S	55-102045-09S	55-102045-26S	
19	Stk	Capacitor - Fan/Compressor (2 inch diameter)	43-26271-48	N/A	N/A	
19	Stk	Capacitor - Compressor (2-1/2 inch diameter, for ECM Fan Motor Units)	N/A	43-101666-29	43-101666-29	
19	Stk	Capacitor - Fan/Compressor (2-1/2 inch diameter, for PSC Fan Motor Units)	43-101665-48	43-101665-53	43-101665-53	
	Stk	Compressor Wiring Harness (Molded Plug)	45-100834-80	45-100834-80	45-100834-80	
		Crankcase Heater	N/A	44-103663-01	44-103663-01	
		Muffler	83-26251-01	83-26251-01	83-26251-01	
		Charge Compensator	See Coil Group			

No.	Notes	MODEL COOLING CAPACITY VARIATION	HRG14 ALL ALL
<b>ACCESSORIES</b>			
		Low Ambient Control	RXAD-A08
		Outdoor Thermostat (One Thermostat w/box)	RXPT-A01
		Outdoor Thermostat (One Thermostat w/o box)	RXPT-A02
		Outdoor Thermostat (One w/Heat Relay and box)	RXPT-A03
		Outdoor Thermostat (Two Thermostats w/Heat and box)	RXPT-A04
		Heat Pump Monitor	RXPM-B01
		Compressor Time Delay Control	RXMD-B01
		Blower Time Delay Control	RXMD-C04
		High Pressure Control	RXAB-A07

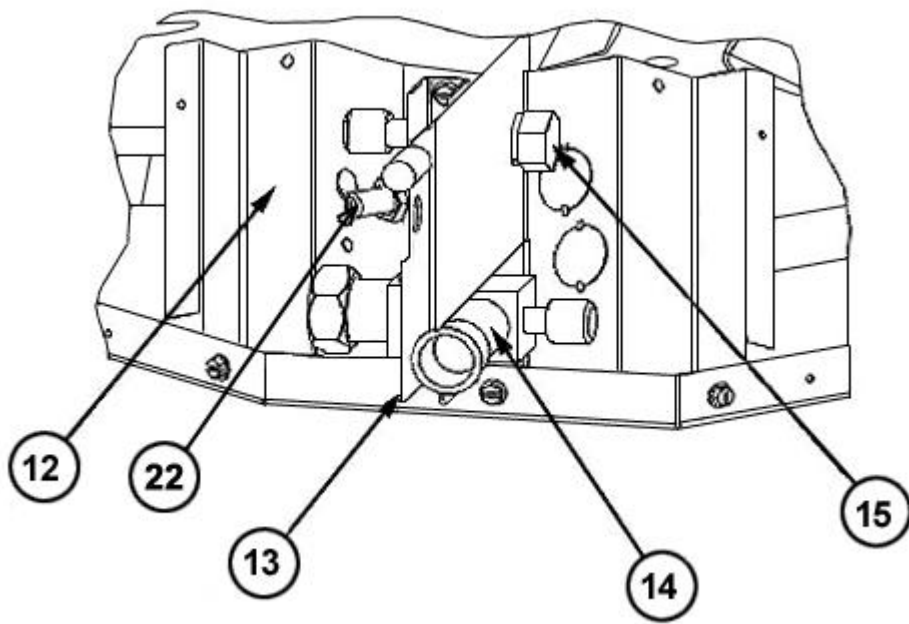


**Valve Mounting  
Panel Detail**

Exploded View



Control Box Assembly



Valve Mounting Detail

# NOTES

Stk It is recommended that stock be maintained for this part.

N/A Not Applicable

- 1 The reversing valve specified for 048 models may be different than the one originally supplied with the equipment. The use of the specified valve is recommended for improved shifting performance.