

This Owner's Manual is provided and hosted by [Appliance Factory Parts](#).



# COMFORT-AIRE HRG1436-1B Owner's Manual

[Shop genuine replacement parts for COMFORT-AIRE  
HRG1436-1B](#)



[Find Your COMFORT-AIRE HVAC Parts - Select From 1486 Models](#)

----- Manual continues below -----

# HRG14-1B

HEAT CONTROLLER, INC.

Parts List  
09-March-2012



*This parts list is current as of the above revision date.*

Form Number: 92-42810-HRG14-1B

# Table of Contents

|                              |         |
|------------------------------|---------|
| Model Explanation .....      | Page 3  |
| Parts Numbers                |         |
| Panels - Miscellaneous ..... | Page 4  |
| Electrical-Fan Group .....   | Page 5  |
| Coil Parts .....             | Page 6  |
| Compressor Group .....       | Page 7  |
| Accessories .....            | Page 8  |
| Drawings/Photographs         |         |
| Exploded View .....          | Page 9  |
| Control Box Assembly .....   | Page 10 |
| Valve Mounting Detail .....  | Page 11 |
| Notes .....                  | Page 12 |

**MODEL NUMBER EXPLANATION**

|          |          |          |          |          |          |          |          |          |          |
|----------|----------|----------|----------|----------|----------|----------|----------|----------|----------|
| <b>H</b> | <b>R</b> | <b>G</b> | <b>1</b> | <b>4</b> | <b>1</b> | <b>8</b> | <b>-</b> | <b>1</b> | <b>B</b> |
| <b>1</b> |          |          | <b>2</b> |          |          | <b>3</b> |          |          |          |

- (1) **SERIES**
- (2) **COOLING CAPACITY (BTU/HR)**
  - 18= 18,000
  - 24= 24,000
  - 30= 30,000
  - 36= 36,000
  - 42= 42,000
  - 48= 48,000
  - 60= 60,000
- (3) **OPTIONS**

**SERIAL NUMBER EXPLANATION**

|          |          |          |          |          |          |          |          |          |          |          |          |          |
|----------|----------|----------|----------|----------|----------|----------|----------|----------|----------|----------|----------|----------|
| <b>7</b> | <b>9</b> | <b>7</b> | <b>8</b> | <b>N</b> | <b>0</b> | <b>2</b> | <b>0</b> | <b>9</b> | <b>9</b> | <b>9</b> | <b>9</b> | <b>9</b> |
| <b>1</b> |          |          |          | <b>2</b> | <b>3</b> |          | <b>4</b> |          | <b>5</b> |          |          |          |

- (1) **COMPRESSOR IDENTIFICATION NUMBER**
- (2) **PRODUCTION LOCATION**
- (3) **WEEK OF PRODUCTION**
- (4) **YEAR OF PRODUCTION**
- (5) **PRODUCTION NUMBER**

| No.                                     | Notes | MODEL<br>COOLING CAPACITY<br>VARIATION           | HRG14<br>18<br>1B | HRG14<br>24<br>1B | HRG14<br>30<br>1B | HRG14<br>36<br>1B |
|---|-------|--|-------------------|-------------------|-------------------|-------------------|
| <b>SHEET METAL PARTS, MISCELLANEOUS</b> |       |  |                   |                   |                   |                   |
| 1                                       |       | Cabinet  | AE-100726-32      | AE-100726-32      | AE-100726-33      | AE-100726-34      |
| 2                                       |       | Cabinet Panel                                    | AE-100727-32      | AE-100727-32      | AE-100727-33      | AE-100727-34      |
| 3                                       |       | Base Pan   | AS-100058-02      | AS-100058-02      | AE-101588-03      | AE-101588-03      |
| 4                                       |       | Control Box - 2 inch diameter capacitor          | AE-100654-31      | AE-100654-31      | AE-100654-31      | AE-100654-33      |
| 4                                       |       | Control Box - 2-1/2 inch diameter capacitor      | N/A               | N/A               | AE-100654-32      | AE-100654-34      |
| 5                                       |       | Control Box Cover                                | AE-100657-31      | AE-100657-31      | AE-100657-31      | AE-100657-31      |
| 6                                       |       | Top Panel - ICECO Gray                           | AE-100652-02      | AE-100652-02      | AE-100652-03      | AE-100652-03      |
| 6                                       |       | Top Panel - Private Label Gray                   | AE-100652-32      | AE-100652-32      | AE-100652-33      | AE-100652-33      |
| 8                                       |       | Grille   | 95-100906-03      | 95-100906-03      | 95-100906-04      | 95-100906-04      |
|   |       | Center Cap - Blank (for Grille)                  | 91-101123-09      | 91-101123-09      | 91-101123-09      | 91-101123-09      |
| 12                                      |       | Valve Mounting Panel                             | AE-57780-01       | AE-57780-01       | AE-57780-01       | AE-100185-31      |
| 14                                      |       | Service Valve - Suction                          | See Coil Group    |                   |                   |                   |
| 15                                      |       | Service Valve - Liquid                           | See Coil Group    |                   |                   |                   |
| 17                                      |       | Low Voltage Cover                                | AE-57756-01       | AE-57756-01       | AE-57756-01       | AE-57756-01       |
|   |       | Touch-up Paint - ICECO Gray (Aerosol)            | 523009            | 523009            | 523009            | 523009            |
|   |       | Touch-up Paint - ICECO Gray (Paint Pens)         | 523011            | 523011            | 523011            | 523011            |
|   |       | Touch-up Paint - Private Label Gray (Aerosol)    | 523014            | 523014            | 523014            | 523014            |
|   |       | Touch-up Paint - Private Label Gray (Paint Pens) | 523015            | 523015            | 523015            | 523015            |

| No.                                     | Notes | MODEL<br>COOLING CAPACITY<br>VARIATION           | HRG14<br>42<br>1B | HRG14<br>48<br>1B | HRG14<br>60<br>1B |  |
|---|-------|--|-------------------|-------------------|-------------------|--|
| <b>SHEET METAL PARTS, MISCELLANEOUS</b> |       |  |                   |                   |                   |  |
| 1                                       |       | Cabinet  | AE-100726-34      | AE-100726-34      | AE-100726-34      |  |
| 2                                       |       | Cabinet Panel                                    | AE-100727-34      | AE-100727-34      | AE-100727-34      |  |
| 3                                       |       | Base Pan   | AE-101588-03      | AE-101588-03      | AE-101588-03      |  |
| 4                                       |       | Control Box - 2 inch diameter capacitor          | AE-100654-33      | N/A               | N/A               |  |
| 4                                       |       | Control Box - 2-1/2 inch diameter capacitor      | AE-100654-34      | AE-100654-34      | AE-100654-34      |  |
| 5                                       |       | Control Box Cover                                | AE-100657-31      | AE-100657-31      | AE-100657-31      |  |
| 6                                       |       | Top Panel - ICECO Gray                           | AE-100652-03      | AE-100652-03      | AE-100652-03      |  |
| 6                                       |       | Top Panel - Private Label Gray                   | AE-100652-33      | AE-100652-33      | AE-100652-33      |  |
| 8                                       |       | Grille   | 95-100906-04      | 95-100906-04      | 95-100906-04      |  |
|   |       | Center Cap - Blank (for Grille)                  | 91-101123-09      | 91-101123-09      | 91-101123-09      |  |
| 12                                      |       | Valve Mounting Panel                             | AE-100185-31      | AE-100185-31      | AE-100185-31      |  |
| 14                                      |       | Service Valve - Suction                          | See Coil Group    |                   |                   |  |
| 15                                      |       | Service Valve - Liquid                           | See Coil Group    |                   |                   |  |
| 17                                      |       | Low Voltage Cover                                | AE-57756-01       | AE-57756-01       | AE-57756-01       |  |
|   |       | Touch-up Paint - ICECO Gray (Aerosol)            | 523009            | 523009            | 523009            |  |
|   |       | Touch-up Paint - ICECO Gray (Paint Pens)         | 523011            | 523011            | 523011            |  |
|   |       | Touch-up Paint - Private Label Gray (Aerosol)    | 523014            | 523014            | 523014            |  |
|   |       | Touch-up Paint - Private Label Gray (Paint Pens) | 523015            | 523015            | 523015            |  |

| No.                         | Notes | MODEL<br>COOLING CAPACITY<br>VARIATION | HRG14<br>18<br>1B          | HRG14<br>24<br>1B | HRG14<br>30<br>1B | HRG14<br>36<br>1B |
|-----------------------------|-------|--|----------------------------|-------------------|-------------------|-------------------|
| <b>ELECTRICAL/FAN GROUP</b> |       |  |                            |                   |                   |                   |
| 7                           | Stk   | Fan Motor                              | 51-101774-02               | 51-101774-02      | 51-102008-07      | 51-102008-07      |
| 9                           | Stk   | Fan Blade                              | 70-102033-02               | 70-102033-02      | 70-102011-10      | 70-102011-10      |
| 16                          | Stk   | Contactora                             | 42-42478-03                | 42-42478-03       | 42-42478-03       | 42-42478-03       |
| 17                          |       | Low Voltage Cover                      | See Panels - Miscellaneous |                   |                   |                   |
| 18                          |       | Control Box Bottom                     | AE-100655-01               | AE-100655-01      | AE-100655-01      | AE-100655-01      |
| 19                          |       | Capacitor                              | See Compressor Group       |                   |                   |                   |
| 20                          | Stk   | Defrost Control Board                  | 47-102684-01               | 47-102684-01      | 47-102684-01      | 47-102684-01      |
| 21                          |       | Low Ambient Control                    | See Accessories Group      |                   |                   |                   |

| No.                         | Notes | MODEL<br>COOLING CAPACITY<br>VARIATION | HRG14<br>42<br>1B          | HRG14<br>48<br>1B |  |  |
|-----------------------------|-------|--|----------------------------|-------------------|--|--|
| <b>ELECTRICAL/FAN GROUP</b> |       |  |                            |                   |  |  |
| 7                           | Stk   | Fan Motor - Before Date Code 3110      | 51-102008-07               | 51-102728-12      |  |  |
| 7                           | Stk   | Fan Motor - After Date Code 3110       | 51-102008-07               | 51-102008-09      |  |  |
| 9                           | Stk   | Fan Blade                              | 70-102011-10               | 70-21858-17       |  |  |
| 16                          | Stk   | Contactora                             | 42-42478-03                | 42-42478-02       |  |  |
| 17                          |       | Low Voltage Cover                      | See Panels - Miscellaneous |                   |  |  |
| 18                          |       | Control Box Bottom                     | AE-100655-01               | AE-100655-01      |  |  |
| 19                          |       | Capacitor                              | See Compressor Group       |                   |  |  |
| 20                          | Stk   | Defrost Control Board                  | 47-102684-01               | 47-102684-05      |  |  |
| 21                          |       | Low Ambient Control                    | See Accessories Group      |                   |  |  |

| No.                         | Notes | MODEL<br>COOLING CAPACITY<br>VARIATION        | HRG14<br>60<br>1B          |  |  |  |
|-----------------------------|-------|---|----------------------------|--|--|--|
| <b>ELECTRICAL/FAN GROUP</b> |       |   |                            |  |  |  |
| 7                           | Stk   | Fan Motor - Before Date Code 1112             | 51-102728-12               |  |  |  |
| 7                           | Stk   | Fan Motor - After Date Code 1112              | 51-102008-09               |  |  |  |
| 9                           | Stk   | Fan Blade                                     | 70-21858-17                |  |  |  |
| 16                          | Stk   | Contactora                                    | 42-42478-02                |  |  |  |
| 17                          |       | Low Voltage Cover                             | See Panels - Miscellaneous |  |  |  |
| 18                          |       | Control Box Bottom                            | AE-100655-01               |  |  |  |
| 19                          |       | Capacitor                                     | See Compressor Group       |  |  |  |
| 20                          | Stk   | Defrost Control Board - Before Date Code 1112 | 47-102685-04               |  |  |  |
| 20                          | Stk   | Defrost Control Board - After Date Code 1112  | 47-102684-02               |  |  |  |
| 21                          |       | Low Ambient Control                           | See Accessories Group      |  |  |  |

| No.               | Notes | MODEL<br>COOLING CAPACITY<br>VARIATION | HRG14        | HRG14        | HRG14        | HRG14        |
|-------------------|-------|--|--------------|--------------|--------------|--------------|
|                   |       |  | 18<br>1B     | 24<br>1B     | 30<br>1B     | 36<br>1B     |
| <b>COIL GROUP</b> |       |  |              |              |              |              |
| 11                | Stk   | Condenser Coil                         | AS-103032-03 | AS-103032-03 | AS-101768-03 | AS-103014-03 |
| 13                |       | Valve Mounting Bracket                 | AE-57781-01  | AE-57781-01  | AE-57781-02  | AE-57781-02  |
| 14                |       | Service Valve - Suction                | 61-21368-23  | 61-21368-23  | 61-21368-07  | 61-21368-07  |
| 15                |       | Service Valve - Liquid                 | 61-21368-05  | 61-21368-05  | 61-21368-05  | 61-21368-05  |
| 22                |       | Bulkhead Valve                         | 61-22369-04  | 61-22369-04  | 61-22369-04  | 61-22369-04  |
|                   |       | Locknut - Bulkhead Valve               | 63-22368-01  | 63-22368-01  | 63-22368-01  | 63-22368-01  |
|                   |       | Access Valve Body                      | 61-18542-01  | 61-18542-01  | 61-18542-01  | 61-18542-01  |
|                   |       | Valve Core                             | 61-18551-01  | 61-18551-01  | 61-18551-01  | 61-18551-01  |
|                   |       | Valve Cap                              | 83-100635-01 | 83-100635-01 | 83-100635-01 | 83-100635-01 |
|                   | Stk   | Filter Drier                           | 83-41719-04  | 83-41719-04  | 83-41719-04  | 83-41719-04  |
|                   |       | Charge Compensator                     | N/A          | N/A          | N/A          | 83-25361-01  |
|                   |       | TXV/Distributor Assembly               | 61-102437-02 | 61-102437-02 | 61-102437-03 | 61-102437-03 |
|                   | Stk   | Reversing Valve                        | 61-102498-04 | 61-102498-02 | 61-102498-02 | 61-102498-02 |
|                   | Stk   | Solenoid Coil - Reversing Valve        | 61-101713-92 | 61-101713-92 | 61-101713-92 | 61-101713-92 |
|                   |       | Wiring Harness - Reversing Valve       | 61-26149-03  | 61-26149-03  | 61-26149-03  | 61-26149-03  |

| No.               | Notes | MODEL<br>COOLING CAPACITY<br>VARIATION | HRG14        | HRG14        | HRG14        |  |
|-------------------|-------|--|--------------|--------------|--------------|--|
|                   |       |  | 42<br>1B     | 48<br>1B     | 60<br>1B     |  |
| <b>COIL GROUP</b> |       |  |              |              |              |  |
| 11                | Stk   | Condenser Coil                         | AS-101760-03 | AS-101771-01 | AS-101771-01 |  |
| 13                |       | Valve Mounting Bracket                 | AE-57781-02  | AE-57781-02  | AE-57781-02  |  |
| 14                |       | Service Valve - Suction                | 61-21368-22  | 61-21368-08  | 61-21368-08  |  |
| 15                |       | Service Valve - Liquid                 | 61-21368-05  | 61-21368-05  | 61-21368-05  |  |
| 22                |       | Bulkhead Valve                         | 61-22369-04  | 61-22369-04  | 61-22369-04  |  |
|                   |       | Locknut - Bulkhead Valve               | 63-22368-01  | 63-22368-01  | 63-22368-01  |  |
|                   |       | Access Valve Body                      | 61-18542-01  | 61-18542-01  | 61-18542-01  |  |
|                   |       | Valve Core                             | 61-18551-01  | 61-18551-01  | 61-18551-01  |  |
|                   |       | Valve Cap                              | 83-100635-01 | 83-100635-01 | 83-100635-01 |  |
|                   | Stk   | Filter Drier                           | 83-41719-04  | 83-41719-04  | 83-41719-04  |  |
|                   |       | Charge Compensator                     | N/A          | 83-25361-09  | N/A          |  |
|                   |       | TXV/Distributor Assembly               | 61-102437-05 | 61-102437-08 | 61-102437-08 |  |
|                   | Stk,1 | Reversing Valve - See Note 1           | 61-102498-02 | 61-101684-06 | 61-101684-03 |  |
|                   | Stk   | Solenoid Coil - Reversing Valve        | 61-101713-92 | 61-101713-01 | 61-101713-01 |  |
|                   |       | Wiring Harness - Reversing Valve       | 61-26149-03  | 61-26149-03  | 61-26149-03  |  |

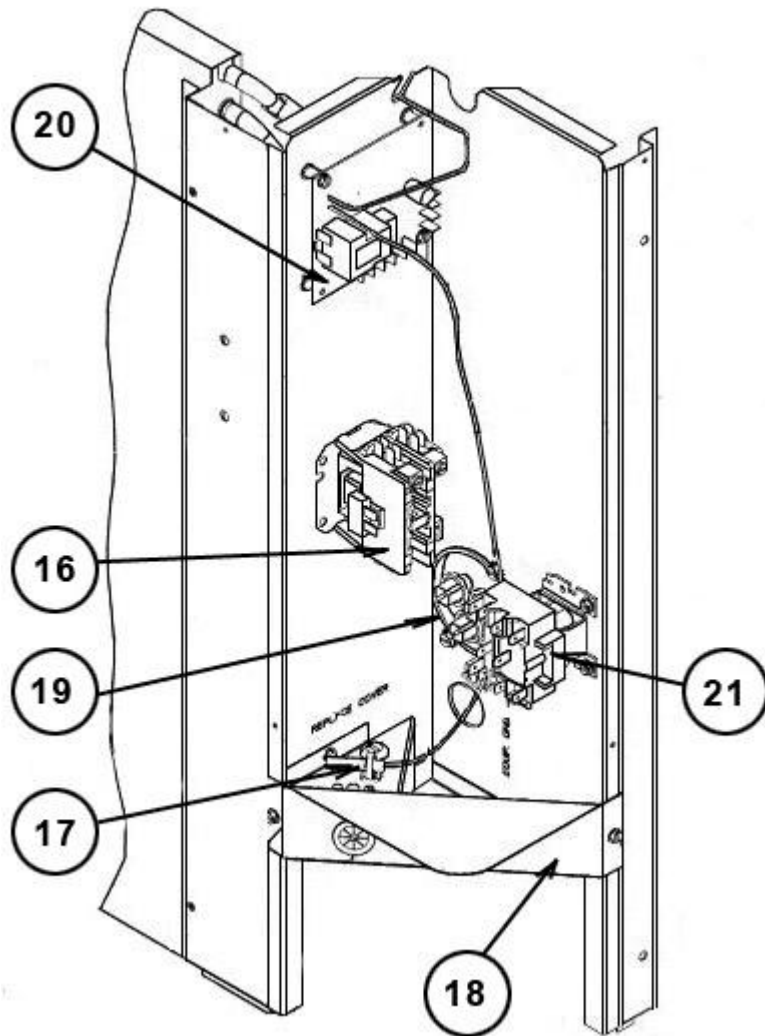
| No.                     | Notes | MODEL<br>COOLING CAPACITY<br>VARIATION           | HRG14<br>18<br>1B | HRG14<br>24<br>1B | HRG14<br>30<br>1B | HRG14<br>36<br>1B |
|-------------------------|-------|--|-------------------|-------------------|-------------------|-------------------|
| <b>COMPRESSOR GROUP</b> |       |  |                   |                   |                   |                   |
|                         |       | <b>Compressor ID:</b>                            | <b>7978</b>       | <b>7979</b>       | <b>7980</b>       | <b>7981</b>       |
| 10                      | Stk   | Compressor                                       | 55-102045-14S     | 55-102045-01S     | 55-102045-02S     | 55-102045-03S     |
| 19                      | Stk   | Capacitor - Fan/Compressor (2 inch diameter)     | 43-26261-40       | 43-101665-09      | 43-26271-46       | 43-26271-48       |
| 19                      | Stk   | Capacitor - Fan/Compressor (2-1/2 inch diameter) | N/A               | N/A               | 43-101665-46      | 43-101665-48      |
|                         | Stk   | Compressor Wiring Harness (Molded Plug)          | 45-100834-80      | 45-100834-80      | 45-100834-80      | 45-100834-80      |
|                         |       | Crankcase Heater                                 | N/A               | N/A               | N/A               | N/A               |
|                         |       | Muffler  | 83-26251-01       | 83-26251-01       | 83-26251-01       | 83-26251-01       |
|                         |       | Charge Compensator                               | See Coil Group    |                   |                   |                   |

| No.                     | Notes | MODEL<br>COOLING CAPACITY<br>VARIATION                                    | HRG14<br>42<br>1B | HRG14<br>48<br>1B | HRG14<br>60<br>1B |  |
|-------------------------|-------|---|-------------------|-------------------|-------------------|--|
| <b>COMPRESSOR GROUP</b> |       |   |                   |                   |                   |  |
|                         |       | <b>Compressor ID:</b>   | <b>7982</b>       | <b>7983</b>       | <b>7984</b>       |  |
| 10                      | Stk   | Compressor  | 55-102045-15S     | 55-102045-09S     | 55-102045-26S     |  |
| 19                      | Stk   | Capacitor - Fan/Compressor (2 inch diameter)                              | 43-26271-48       | N/A               | N/A               |  |
| 19                      | Stk   | Capacitor - Compressor (2-1/2 inch diameter, for ECM Fan Motor Units)     | N/A               | 43-101666-29      | 43-101666-29      |  |
| 19                      | Stk   | Capacitor - Fan/Compressor (2-1/2 inch diameter, for PSC Fan Motor Units) | 43-101665-48      | 43-101665-53      | 43-101665-53      |  |
|                         | Stk   | Compressor Wiring Harness (Molded Plug)                                   | 45-100834-80      | 45-100834-80      | 45-100834-80      |  |
|                         |       | Crankcase Heater  | N/A               | 44-103663-01      | 44-103663-01      |  |
|                         |       | Muffler   | 83-26251-01       | 83-26251-01       | 83-26251-01       |  |
|                         |       | Charge Compensator  | See Coil Group    |                   |                   |  |

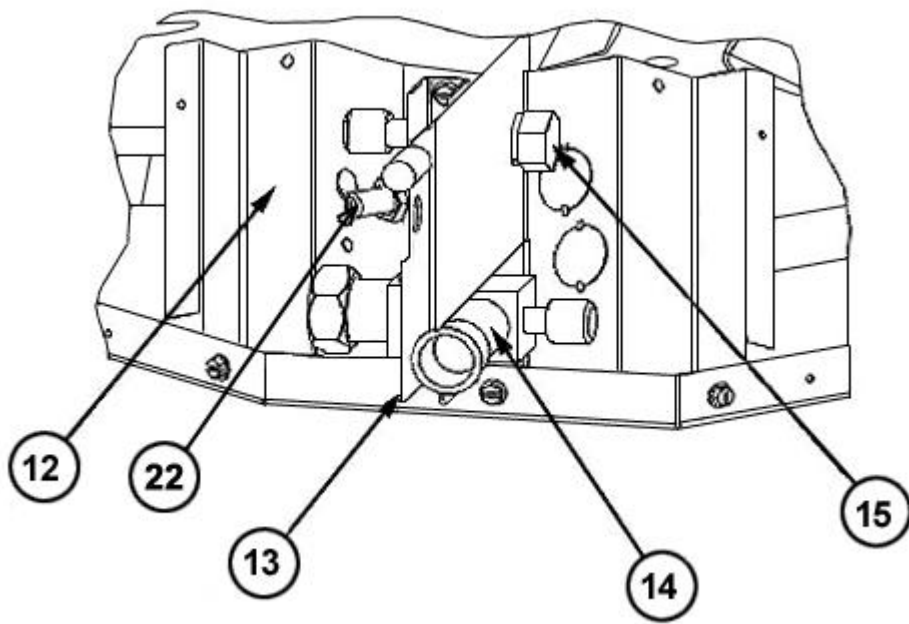
| No.                | Notes | MODEL<br>COOLING CAPACITY<br>VARIATION              | HRG14<br>ALL<br>ALL |
|--------------------|-------|---|---------------------|
| <b>ACCESSORIES</b> |       |   |                     |
|                    |       | Low Ambient Control                                 | RXAD-A08            |
|                    |       | Outdoor Thermostat (One Thermostat w/box)           | RXPT-A01            |
|                    |       | Outdoor Thermostat (One Thermostat w/o box)         | RXPT-A02            |
|                    |       | Outdoor Thermostat (One w/Heat Relay and box)       | RXPT-A03            |
|                    |       | Outdoor Thermostat (Two Thermostats w/Heat and box) | RXPT-A04            |
|                    |       | Heat Pump Monitor                                   | RXPM-B01            |
|                    |       | Compressor Time Delay Control                       | RXMD-B01            |
|                    |       | Blower Time Delay Control                           | RXMD-C04            |
|                    |       | High Pressure Control                               | RXAB-A07            |



Exploded View



Control Box Assembly



Valve Mounting Detail

# NOTES

Stk It is recommended that stock be maintained for this part.

N/A Not Applicable

- 1 The reversing valve specified for 048 models may be different than the one originally supplied with the equipment. The use of the specified valve is recommended for improved shifting performance.