

HEAT CONTROLLER, INC.

GLDH

Parts List
15-February-2012



This parts list is current as of the above revision date.

Form Number: 92-42810-GLDH

Table of Contents

Model Explanation	Page 3
Parts Numbers	
Panels - Miscellaneous 04-07	Page 4
Panels - Miscellaneous 09-12	Page 5
Parts Bag	Page 6
Electrical Group	Page 7
Blower Group	Page 8
Heat Exchanger-Burner Group	Page 9
Gas Controls	Page 10
Orifice Selection Chart	Page 11
Drawings/Photographs	
Exploded View	Page 12
Horizontal Installation Parts	Page 13
Blower Assembly	Page 14
Burner Assembly	Page 15
Notes	Page 16

MODEL NUMBER EXPLANATION

G	L	D	H	-	6	0	E	3	B
1	2	3	4			5		6	7

- (1) **GAS**
- (2) **90% EFFICIENCY**
- (3) **DOWNFLOW/HORIZONTAL CONDENSING**
- (4) **PLACEHOLDER**
- (5) **HEATING INPUT DESIGNATION**
 40 = 45,000 BTU/HR
 60 = 60,000 BTU/HR
 75 = 75,000 BTU/HR
 90 = 90,000 BTU/HR
 105 = 105,000 BTU/HR
 120 = 120,000 BTU/HR
 E = Electric
 N = NOX
- (6) **DRIVE NOMINAL COOLING/REVISION LEVEL**
 3 = 3 Ton
 4 = 4 Ton
 5 = 5 Ton
- (7) **REVISION LEVEL**

SERIAL NUMBER EXPLANATION

G	Y	5	D	7	0	2	F	3	1	0	7	9	9	9	9
1	2	3	4	5	6	7	8	9	10						

- | | | | |
|----------|---------------------------------|-----------|--------------------------|
| 1 | GAS CODE | 6 | MOTOR HORSEPOWER |
| 2 | LIMIT CONTROL | 7 | PLANT |
| 3 | BLOWER | 8 | WEEK |
| 4 | HEATING ELEMENT | 9 | YEAR |
| 5 | SPECIAL AREA REQUIREMENT | 10 | PRODUCTION NUMBER |

No.	Notes	MODEL HEATING CAPACITY VARIATIONS	GLDH 45E 3B	GLDH 60E 3B	GLDH 75E 3B	GLDH 75E 4B
PANELS, SHEET METAL, MISCELLANEOUS						
1		Blower/Filter Door	AS-67890-11	AS-67890-11	AS-67890-11	AS-67891-11
2		Burner Door	AS-61866-09	AS-61866-09	AS-61866-09	AS-61867-09
3		Induced Draft Blower w/Gasket	See Electrical Group			
4		Gasket - Induced Draft Blower	See Electrical Group			
5		Connector/Transition	68-24047-10	68-24047-10	68-24047-10	68-24047-11
6		Clear Vinyl Tube (Connector/Transition - Trap)	68-24131-01	68-24131-01	68-24131-01	68-24131-01
7		Trap / Elbow Assembly	68-24048-01	68-24048-01	68-24048-01	68-24048-01
8		Water Trap Mount Bracket	AE-61841-01	AE-61841-01	AE-61841-01	AE-61841-01
9		Hose Clamps (4)	64-22043-03	64-22043-03	64-22043-03	64-22043-03
10		Clear Vinyl Tube (Center Panel - Trap)	68-24026-03	68-24026-03	68-24026-03	68-24026-03
15		Burner Components	See Heat Exchanger Group			
16		Rollout Switch Bracket. (On Center Panel)	AE-61600-02	AE-61600-02	AE-61600-02	AE-61600-02
17		Limit - Manual Reset (Burner Compartment)	See Electrical Group			
18		Limit - Main Limit (Heat Exchanger Panel)	See Electrical Group			
		Wire Harnesses	See Electrical Group			
19		Heat Exchanger	See Heat Exchanger Group			
20		Baffle	See Heat Exchanger Group			
21		Rear Baffle	See Heat Exchanger Group			
22		Baffle	See Heat Exchanger Group			
23		Heat Exchanger Bracket	See Heat Exchanger Group			
24		Heat Exchanger Bracket	See Heat Exchanger Group			
25		Silicone Tubing - Pressure Switch	AE-61737-27	AE-61737-27	AE-61737-27	AE-61737-27
26		Pressure Switch	See Electrical Group			
27		Grommet	56-22114-06	56-22114-06	56-22114-06	56-22114-06
28		Door Angle	AS-67847-01	AS-67847-01	AS-67847-01	AS-67847-02
29		Button Plug (2)	45-22980-08	45-22980-08	45-22980-08	45-22980-08
30		Outlet Pipe Gasket	68-24022-02	68-24022-02	68-24022-02	68-24022-02
31		Outlet Pipe Assembly	68-24150-01	68-24150-01	68-24150-01	68-24150-01
32		Jacket	AS-67824-12	AS-67824-12	AS-67824-12	AS-67824-14
33		Top Plate	AE-67805-02	AE-67805-02	AE-67805-02	AE-67805-03
34		Inlet Air Chase Assembly	AS-67848-01	AS-67848-01	AS-67848-01	AS-67848-01
35		Inlet Air Chase Gasket	68-24022-01	68-24022-01	68-24022-01	68-24022-01
36		Grommet - 1 5/8 in.	56-22114-01	56-22114-01	56-22114-01	56-22114-01
36		Grommet - 2 in.	56-22114-06	56-22114-06	56-22114-06	56-22114-06
37		Junction Box Cover	AE-61476-02	AE-61476-02	AE-61476-02	AE-61476-02
38		Junction Box	AE-67825-01	AE-67825-01	AE-67825-01	AE-67825-01
39		Door Switch - Push Button	See Electrical Group			
49		Transformer w/Fuse	See Electrical Group			

No.	Notes	MODEL HEATING CAPACITY VARIATIONS	GLDH 45E 3B	GLDH 60E 3B	GLDH 75E 3B	GLDH 75E 4B
HORIZONTAL INSTALLATION PARTS						
9		Hose Clamps (4)	64-22043-03	64-22043-03	64-22043-03	64-22043-03
10a		Drain Elbow (Trap Assembly to Collector Box)	79-102882-01	79-102882-01	79-102882-01	79-102882-01
11		Elbow (Connector/Transition to Trap Assembly)	68-24121-01	68-24121-01	68-24121-01	68-24121-01
12		Trap Assembly	68-24120-02	68-24120-02	68-24120-02	68-24120-02
13		Trap Gasket	68-24123-01	68-24123-01	68-24123-01	68-24123-01
14		Hole Plugs (2)	45-24125-01	45-24125-01	45-24125-01	45-24125-01

No.	Notes	MODEL HEATING CAPACITY VARIATIONS	GLDH 90E 4B	GLDH 90E 5B	GLDH 105E 5B	GLDH 120E 5B
PANELS, SHEET METAL, MISCELLANEOUS						
1		Blower/Filter Door	AS-67891-11	AS-67891-11	AS-67891-11	AS-67892-11
2		Burner Door	AS-61867-09	AS-61867-09	AS-61867-09	AS-61868-09
3		Induced Draft Blower w/Gasket	See Electrical Group			
4		Gasket - Induced Draft Blower	See Electrical Group			
5		Connector/Transition	68-24047-11	68-24047-11	68-24047-11	68-24047-12
6		Clear Vinyl Tube (Connector/Transition - Trap)	68-24131-01	68-24131-01	68-24131-01	68-24131-01
7		Trap / Elbow Assembly	68-24048-01	68-24048-01	68-24048-01	68-24048-01
8		Water Trap Mount Bracket	AE-61841-01	AE-61841-01	AE-61841-01	AE-61841-01
9		Hose Clamps (4)	64-22043-03	64-22043-03	64-22043-03	64-22043-03
10		Clear Vinyl Tube (Center Panel - Trap)	68-24026-03	68-24026-03	68-24026-03	68-24026-03
15		Burner Components	See Heat Exchanger Group			
16		Rollout Switch Bracket. (On Center Panel)	AE-61600-02	AE-61600-02	AE-61600-02	AE-61600-02
17		Limit - Manual Reset (Burner Compartment)	See Electrical Group			
18		Limit - Main Limit (Heat Exchanger Panel)	See Electrical Group			
		Wire Harnesses	See Electrical Group			
19		Heat Exchanger	See Heat Exchanger Group			
20		Baffle	See Heat Exchanger Group			
21		Rear Baffle	See Heat Exchanger Group			
22		Baffle	See Heat Exchanger Group			
23		Heat Exchanger Bracket	See Heat Exchanger Group			
24		Heat Exchanger Bracket	See Heat Exchanger Group			
25		Silicone Tubing - Pressure Switch	AE-61737-27	AE-61737-27	AE-61737-27	AE-61737-27
26		Pressure Switch	See Electrical Group			
27		Grommet	56-22114-06	56-22114-06	56-22114-06	56-22114-06
28		Door Angle	AS-67847-02	AS-67847-02	AS-67847-02	AS-67847-03
29		Button Plug (2)	45-22980-08	45-22980-08	45-22980-08	45-22980-08
30		Outlet Pipe Gasket	68-24022-02	68-24022-02	68-24022-02	68-24022-02
31		Outlet Pipe Assembly	68-24150-01	68-24150-01	68-24150-01	68-24150-02
32		Jacket	AS-67824-13	AS-67824-13	AS-67824-13	AS-67824-15
33		Top Plate	AE-67805-03	AE-67805-03	AE-67805-03	AE-67805-04
34		Inlet Air Chase Assembly	AS-67848-01	AS-67848-01	AS-67848-01	AS-67848-01
35		Inlet Air Chase Gasket	68-24022-01	68-24022-01	68-24022-01	68-24022-01
36		Grommet - 1 5/8 in.	56-22114-01	56-22114-01	56-22114-01	56-22114-01
36		Grommet - 2 in.	56-22114-06	56-22114-06	56-22114-06	56-22114-06
37		Junction Box Cover	AE-61476-02	AE-61476-02	AE-61476-02	AE-61476-02
38		Junction Box	AE-67825-01	AE-67825-01	AE-67825-01	AE-67825-01
39		Door Switch - Push Button	See Electrical Group			
49		Transformer w/Fuse	See Electrical Group			

No.	Notes	MODEL HEATING CAPACITY VARIATIONS	GLDH 90E 4B	GLDH 90E 5B	GLDH 105E 5B	GLDH 120E 5B
HORIZONTAL INSTALLATION PARTS						
9		Hose Clamps (4)	64-22043-03	64-22043-03	64-22043-03	64-22043-03
10a		Drain Elbow (Trap Assembly to Collector Box)	79-102882-01	79-102882-01	79-102882-01	79-102882-01
11		Elbow (Connector/Transition to Trap Assembly)	68-24121-01	68-24121-01	68-24121-01	68-24121-01
12		Trap Assembly	68-24120-02	68-24120-02	68-24120-02	68-24120-02
13		Trap Gasket	68-24123-01	68-24123-01	68-24123-01	68-24123-01
14		Hole Plugs (2)	45-24125-01	45-24125-01	45-24125-01	45-24125-01

No.	Notes	MODEL HEATING CAPACITY BLOWER DESIGNATION	GLDH ALL ALL
PARTS BAG			
		Complete Parts Bag Assembly	AS-100717-03
		1/2 in. PVC Pipe - 4 in.	68-22024-04
		1/2 in. Tee	68-21980-02
		PVC Vane	68-23473-01
		PVC Wind Vane - 2 1/2 in.	68-24049-01
	3	Drain Tube - 6 3/4 in. (Before F1809) - See Note 3	68-24026-04
		Elbow	68-24121-01
	9	Hose Clamps (2) (Before F1809)	64-22043-03
	9	Hose Clamps (2) (After F1809)	64-22043-01
	12	Trap Assembly	68-24120-02
	13	Trap Gasket	68-24123-01
	14	Hole Plug (2)	45-24125-01

No.	Notes	MODEL HEATING CAPACITY BLOWER DESIGNATION	GLDH ALL ALL
FIELD REPLACEMENT KITS			
		Kit - Converting To Left Drain For Downflow Models	RXGY-H01
		Kit - Field Replacement For Drain Hoses (Downflow and Horizontal 90 Plus)	RXGY-H02

No.	Notes	MODEL HEATING CAPACITY VARIATIONS	GLDH 45E 3B	GLDH 60E 3B	GLDH 75E 3B	GLDH 75E 4B
ELECTRICAL GROUP						
3		Induced Draft Blower w/Gasket	70-24033-01	70-24033-01	70-24033-01	70-24033-01
4		Gasket - Induced Draft Blower	68-24016-01	68-24016-01	68-24016-01	68-24016-01
17	Stk, 2	Limit - Manual Reset (Burner Compartment) - See Note 2	47-22861-04	47-22861-04	47-22861-04	47-22861-04
18	Stk	Limit - Main Limit (Heat Exchanger Panel)	47-25350-09	47-25350-07	47-25350-01	47-25350-09
26	Stk	Pressure Switch	42-24196-01	42-24196-04	42-24196-01	42-24196-01
39		Door Switch - Push Button	42-22692-02	42-22692-02	42-22692-02	42-22692-02
40		Wire Harness - 4 pin to 3 terminals (2 eyelet/1 straight) and 1 strip wire, 4 wires	45-24371-41	45-24371-41	45-24371-41	45-24371-41
41		Wire Harness - 9 pin to 9 pin and 4 pin, 8 wires	45-24371-28	45-24371-28	45-24371-28	45-24371-28
42		Wire Harness - 6 pin to 2 pin and 3 flag terminals, 4 wires off 6 pin	45-24371-29	45-24371-29	45-24371-29	45-24371-29
43		Wire Harness - Twist-Lock: 9 pin to eight terminals and 6 pin to 4 pin, 12 wires	45-24393-02	45-24393-02	45-24393-02	45-24393-02
49	Stk	Transformer	46-24124-03	46-24124-03	46-24124-03	46-24124-03
51		Integrated Furnace Control Board (IFC)	See Gas Controls			
52		Capacitor - Induced Draft Blower	43-20847-43	43-20847-43	43-20847-43	43-20847-43
54	Stk	Limit - Heat Assisted (Blower Housing)	47-22860-02	47-22860-02	47-22860-01	47-22860-02
58	Stk	Limit - Manual Reset (Burner Compartment)	47-22861-02 (1)	47-22861-02 (1)	47-22861-02 (2)	47-22861-02 (2)

No.	Notes	MODEL HEATING CAPACITY VARIATIONS	GLDH 90E 4B	GLDH 90E 5B	GLDH 105E 5B	GLDH 120E 5B
ELECTRICAL GROUP						
3		Induced Draft Blower w/Gasket	70-24033-01	70-24033-01	70-24033-01	70-24033-01
4		Gasket - Induced Draft Blower	68-24016-01	68-24016-01	68-24016-01	68-24016-01
17	Stk, 2	Limit - Manual Reset (Burner Compartment) - See Note 2	47-22861-04	47-22861-04	47-22861-04	47-22861-04
18	Stk	Limit - Main Limit (Heat Exchanger Panel)	47-25350-10	47-25350-10	47-25350-06	47-25350-06
26	Stk	Pressure Switch	42-24196-04	42-24196-04	42-24196-03	42-24196-02
39		Door Switch - Push Button	42-22692-02	42-22692-02	42-22692-02	42-22692-02
40		Wire Harness - 4 pin to 3 terminals (2 eyelet/1 straight) and 1 strip wire, 4 wires	45-24371-41	45-24371-41	45-24371-41	45-24371-41
41		Wire Harness - 9 pin to 9 pin and 4 pin, 8 wires	45-24371-28	45-24371-28	45-24371-28	45-24371-28
42		Wire Harness - 6 pin to 2 pin and 3 flag terminals, 4 wires off 6 pin	45-24371-29	45-24371-29	45-24371-29	45-24371-29
43		Wire Harness - Twist-Lock: 9 pin to eight terminals and 6 pin to 4 pin, 12 wires	45-24393-02	45-24393-02	45-24393-02	45-24393-02
49	Stk	Transformer	46-24124-03	46-24124-03	46-24124-03	46-24124-03
51		Integrated Furnace Control Board (IFC)	See Gas Controls			
52		Capacitor - Induced Draft Blower	43-20847-43	43-20847-43	43-20847-43	43-20847-43
54	Stk	Limit - Heat Assisted (Blower Housing)	47-22860-02	47-22860-02	47-22860-05	47-22860-03
58	Stk	Limit - Manual Reset (Burner Compartment)	47-22861-02 (2)	47-22861-02 (2)	47-22861-02 (2)	47-22861-02 (2)

No.	Notes	MODEL HEATING CAPACITY VARIATIONS	GLDH 45E 3B	GLDH 60E 3B	GLDH 75E 3B	GLDH 75E 4B
BLOWER GROUP						
44	Stk	Blower Assembly (Includes items 45-48 and 53)	AS-61697-38	AS-61697-93	AS-61697-93	AS-61697-95
45		Motor Mount Leg (4)	AE-61698-02	AE-61698-02	AE-61698-02	AE-61698-02
46	Stk	Blower Motor	51-26141-01	51-24144-01	51-24144-01	51-24146-01
47		Blower Housing	AS-61674-14	AS-61674-14	AS-61674-14	AS-61674-14
48	Stk	Blower Wheel	70-22688-01	70-22688-01	70-22688-01	70-24119-01
50		Control Mounting Plate	AE-67877-01	AE-67877-01	AE-67877-01	AE-67877-01
51		Integrated Furnace Control Board (IFC)	See Gas Controls			
52		Capacitor - Induced Draft Blower	See Electrical Group			
53	Stk	Capacitor - Blower Motor	43-100509-42	43-100509-42	43-100509-42	43-21298-43
54		Limit - Heat Assisted (Blower Housing)	See Electrical Group			

No.	Notes	MODEL HEATING CAPACITY VARIATIONS	GLDH 90E 4B	GLDH 90E 5B	GLDH 105E 5B	GLDH 120E 5B
BLOWER GROUP						
44	Stk	Blower Assembly (Includes items 45-48 and 53)	AS-61697-96	AS-61697-97	AS-61697-97	AS-61697-99
45		Motor Mount Leg (4)	AE-61698-02	AE-61698-02	AE-61698-02	AE-61698-02
46	Stk	Blower Motor	51-24145-01	51-24146-01	51-24146-01	51-24146-01
47		Blower Housing	AS-61674-15	AS-61674-15	AS-61674-15	AS-61674-16
48	Stk	Blower Wheel	70-24041-01	70-24041-01	70-24041-01	70-20602-01
50		Control Mounting Plate	AE-67877-01	AE-67877-01	AE-67877-01	AE-67877-01
51		Integrated Furnace Control Board (IFC)	See Gas Controls			
52		Capacitor - Induced Draft Blower	See Electrical Group			
53	Stk	Capacitor - Blower Motor	43-21298-43	43-21298-43	43-21298-43	43-21298-43
54		Limit - Heat Assisted (Blower Housing)	See Electrical Group			

No.	Notes	MODEL HEATING CAPACITY VARIATIONS	GLDH 45E 3B	GLDH 60E 3B	GLDH 75E 3B	GLDH 75E 4B
HEAT EXCHANGER, BURNER / MANIFOLD GROUP						
17	Stk	Limit - Manual Reset (Burner Compartment)	See Electrical Group			
18	Stk	Limit - Main Limit (Heat Exchanger Panel)	See Electrical Group			
19	Stk	Heat Exchanger	AS-67818-22	AS-67818-23	AS-67818-24	AS-67818-26
20		Baffle	AE-61876-01	AE-61875-01	AE-61875-01	AE-61876-01
21		Rear Baffle	AE-61878-01	AE-61878-01	AE-61878-01	AE-61878-02
22		Baffle	AE-61876-02	AE-61875-02	AE-61875-02	AE-61876-02
		Blower Shelf Baffle	N/A	N/A	N/A	AE-67845-01
23		Heat Exchanger Bracket	AE-67846-02	AE-67846-02	AE-67846-02	AE-67846-02
24		Heat Exchanger Bracket	AE-61959-01	AE-61959-01	AE-61959-01	AE-61959-01
15		Burner Components (items 55-59):				
55	Stk	Burner Assembly	AS-61984-03	AS-61984-04	AS-61984-05	AS-61984-05
56		Burner Support Bracket (2)	AE-61808-01	AE-61808-01	AE-61808-01	AE-61808-01
57		Burner Support	AE-61809-11	AE-61809-12	AE-61809-13	AE-61809-13
58	Stk	Limit - Manual Reset (Burner Compartment)	See Electrical Group			
59	Stk	Manifold (w/o Orifices)	81-24396-01	81-24396-02	81-24396-03	81-24396-03
60		Burner Orifice - Natural Gas	See Orifice Selection Chart			
60		Burner Orifice - LP	See Orifice Selection Chart			
		Number of Orifices	(3)	(4)	(5)	(5)

No.	Notes	MODEL HEATING CAPACITY VARIATIONS	GLDH 90E 4B	GLDH 90E 5B	GLDH 105E 5B	GLDH 120E 5B
HEAT EXCHANGER, BURNER / MANIFOLD GROUP						
17	Stk	Limit - Manual Reset (Burner Compartment)	See Electrical Group			
18	Stk	Limit - Main Limit (Heat Exchanger Panel)	See Electrical Group			
19	Stk	Heat Exchanger	AS-67818-25	AS-67818-25	AS-67818-27	AS-67818-28
20		Baffle	AE-61875-01	AE-61875-01	AE-61875-01	AE-61875-01
21		Rear Baffle	AE-61878-02	AE-61878-02	AE-61878-02	AE-61878-03
22		Baffle	AE-61875-02	AE-61875-02	AE-61875-02	AE-61875-02
		Blower Shelf Baffle	N/A	N/A	N/A	AE-67845-01
23		Heat Exchanger Bracket	AE-67846-02	AE-67846-02	AE-67846-02	AE-67846-02
24		Heat Exchanger Bracket	AE-61959-01	AE-61959-01	AE-61959-01	AE-61959-01
15		Burner Components (items 55-59):				
55	Stk	Burner Assembly	AS-61984-06	AS-61984-06	AS-61984-07	AS-61984-08
56		Burner Support Bracket (2)	AE-61808-01	AE-61808-01	AE-61808-01	AE-61808-01
57		Burner Support	AE-61809-14	AE-61809-14	AE-61809-15	AE-61809-16
58	Stk	Limit - Manual Reset (Burner Compartment)	See Electrical Group			
59	Stk	Manifold (w/o Orifices)	81-24396-04	81-24396-04	81-24396-05	81-24396-06
60		Burner Orifice - Natural Gas	See Orifice Selection Chart			
60		Burner Orifice - LP	See Orifice Selection Chart			
		Number of Orifices	(6)	(6)	(7)	(8)

No.	Notes	MODEL GAS CODE	GLDH GY	GLDH EJ	GLDH EL
GAS CONTROLS					
51	Stk	Integrated Furnace Control Board (IFC)	62-25338-01	62-24140-04	62-24140-04
61	Stk	Gas Valve - Natural Gas	60-100394-02	60-22866-01	60-23490-01
61	Stk,1	Gas Valve - LP	See Note 1	See Note 1	See Note 1
63	Stk	Ignitor	62-24141-04	62-24141-04	62-24141-04
64		Ignitor Bracket	AE-61885-02	AE-61885-02	AE-61885-02
65	Stk	Flame Sensor	62-23543-01	62-23543-01	62-23543-01
	Stk	LP Conversion Kit	FP-02	FP-02	FP-02

90% GAS FURNACE - ORIFICE SELECTION CHART - NATURAL GAS

CAUTION: Selection of the correct Natural Gas Orifice requires the following information for the specific installation:

- 1) Altitude in of the installation (ft.).
- 2) Average energy content of the Natural Gas fuel from the local supplier (BTU/cu. ft.).

For detailed information and instructions for Orifice selection, see the Gas Furnace LP Conversion Kit Index 92-21519-59 and the latest edition of the National Fuel Gas Code Handbook, or the National Standard of Canada, Natural Gas and Propane Installation Code, CAN B149.1.

CAUTION: This information is provided for replacement purposes only. Conversion for operation at High Altitude must be done using the kit specified on the product specification sheet for the unit.

NOTE: This Orifice sizing chart is based on 15,000 BTU/HR per burner.

NOTE: Factory installed orifices are calculated and sized based on a Natural Gas heating value of 1075 BTU/cu. ft. and an elevation of 0 - 2000 ft.

Energy Value (BTU/cu. ft.)	Elevation (ft.)							
	0 - 1999	2000 - 2999	3000 - 3999	4000 - 4999	5000 - 5999	6000 - 6999	7000 - 7999	8000 - 8999
850	62-22175-47	62-22175-48	62-22175-48	62-22175-49	62-22175-49	62-22175-49	62-22175-50	62-22175-50
900	62-22175-48	62-22175-49	62-22175-49	62-22175-49	62-22175-50	62-22175-50	62-22175-50	62-22175-51
975	62-22175-49	62-22175-50	62-22175-50	62-22175-50	62-22175-51	62-22175-51	62-22175-51	62-22175-52
1075	62-22175-50	62-22175-51	62-22175-51	62-22175-51	62-22175-51	62-22175-52	62-22175-52	62-22175-52
1170	62-22175-51	62-22175-51	62-22175-52	62-22175-52	62-22175-52	62-22175-53	62-22175-53	62-22175-53

90% GAS FURNACE - ORIFICE SELECTION CHART - LP

CAUTION: Selection of the correct LP Orifice requires the altitude of the specific installation (ft.).

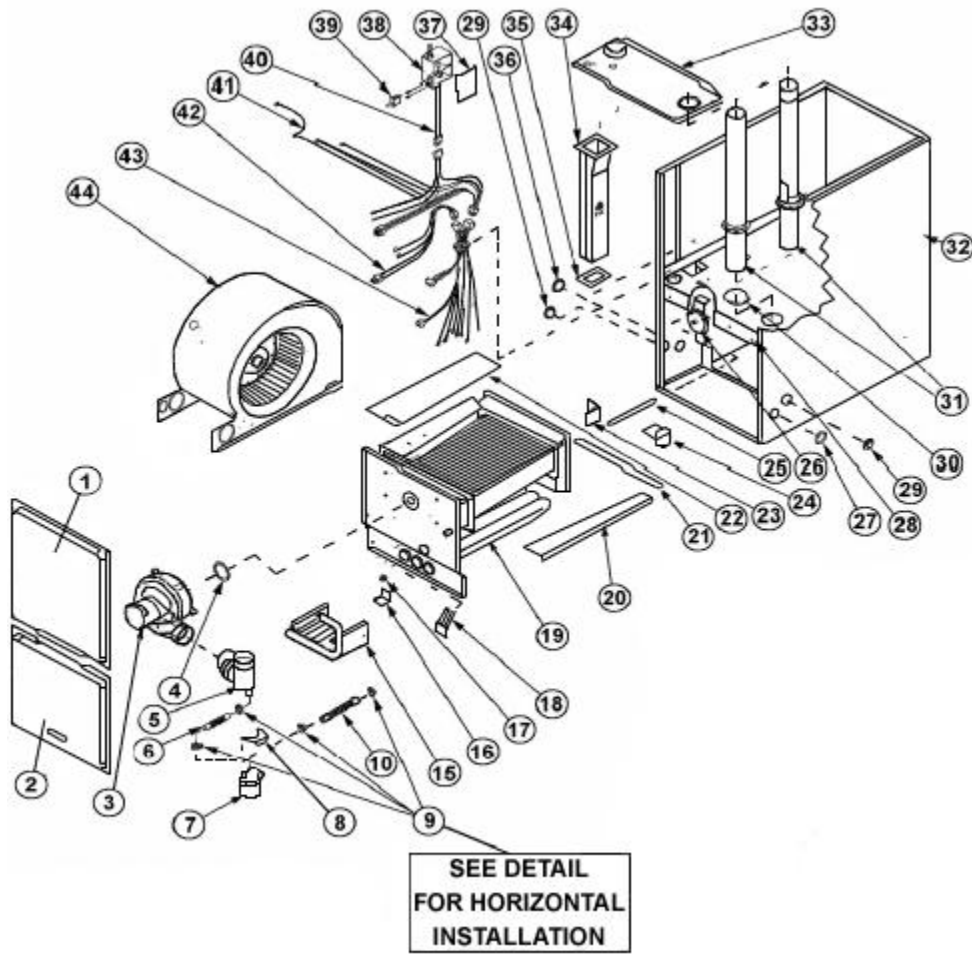
For detailed information and instructions for Orifice selection, see the Gas Furnace LP Conversion Kit Index 92-21519-59 and the latest edition of the National Fuel Gas Code Handbook (NFG), or the National Standard of Canada, Natural Gas and Propane Installation Code, CAN B149.1.

CAUTION: This information is provided for replacement purposes only. Conversion to LP or for operation at High Altitude should be done using the kit(s) specified on the product specification sheet for the unit.

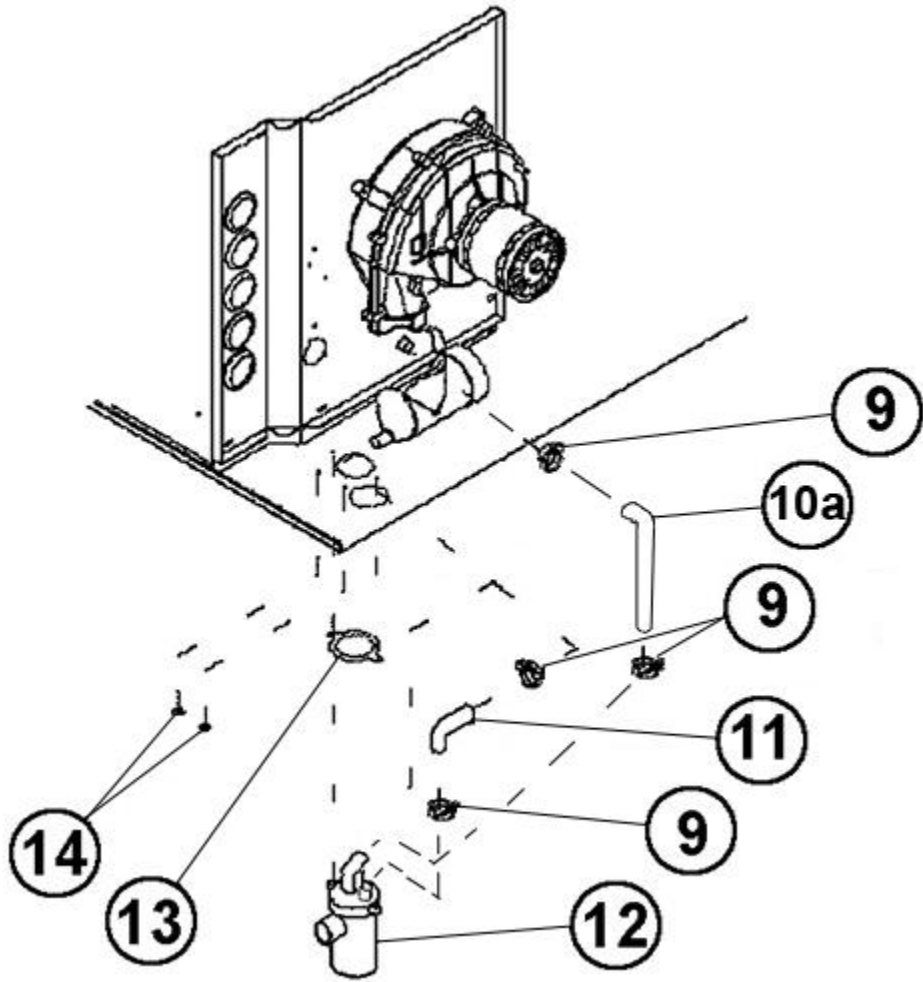
NOTE: This Orifice sizing chart is based on 15,000 BTU/HR per burner. Also, the chart is developed using the specified pressure setting of 10 in. water column instead of the 11.0 in water column used by the NFG and CANB149.1.

NOTE: Orifices supplied in the LP Conversion Kit are calculated and sized based on an altitude of 0 - 2000 ft.

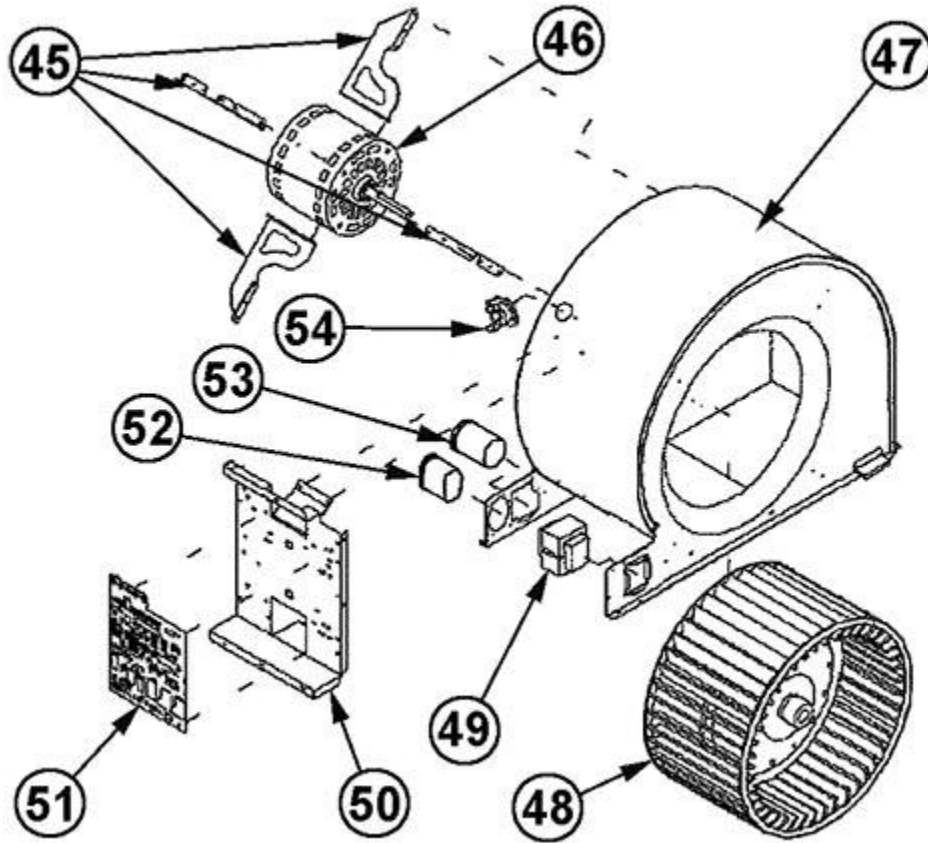
Elevation (ft.)	Orifice							
0 to 2000 ft.	62-22175-91							
2001 to 3000	62-22175-91							
3001 to 4000	62-22175-90							
4001 to 5000	62-22175-58							
5001 to 6000	62-22175-59							
6001 to 7000	62-22175-60							
7001 to 8000	62-22175-62							
8001 to 9000	62-22175-63							
9001 to 1000	62-22175-64							



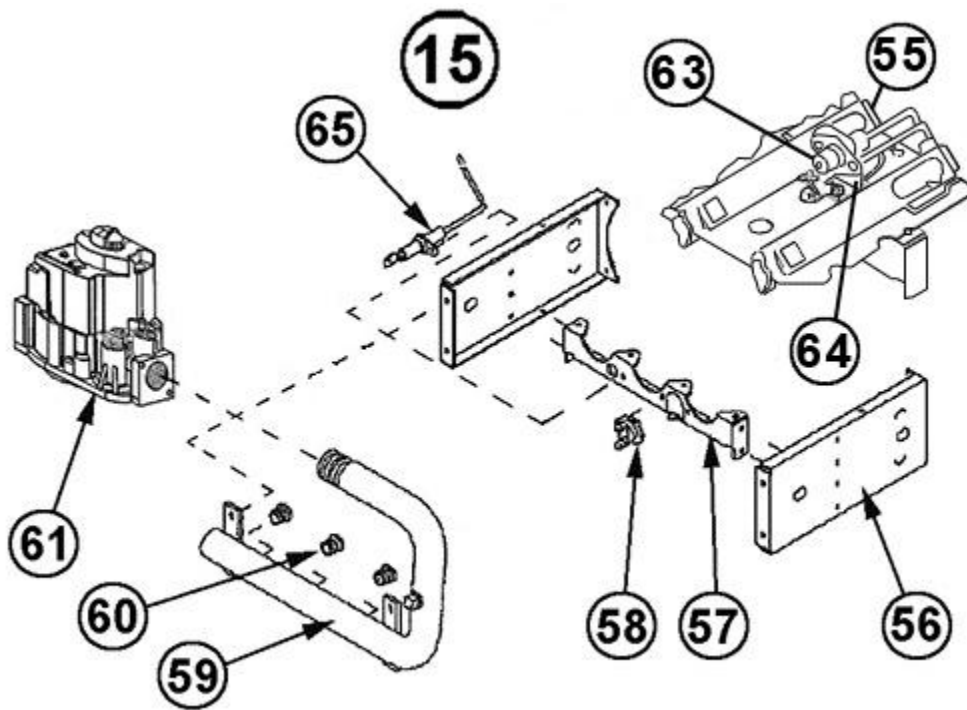
Exploded View



Horizontal Installation Parts



Blower Assembly



Burner Assembly

NOTES

Stk It is recommended that stock be maintained for this part.

N/A Not Applicable

- 1 Order Gas Valve for Natural Gas along with LP Conversion Kit
- 2 Units manufactured before F5109 used a limit switch with a set point different than the specified replacement. The specified replacement should be used for all units regardless of date code.
- 3 Parts Bag deletion of 68-24026-04 Drain Tube requires that Tube 79-102882-01 be cut to length for horizontal applications on units produced after approximate date code F2209.