

This Owner's Manual is provided and hosted by [Appliance Factory Parts](#).



COMFORT-AIRE GLDH105E-5B Owner's Manual

[Shop genuine replacement parts for COMFORT-AIRE
GLDH105E-5B](#)



[Find Your COMFORT-AIRE HVAC Parts - Select From 1486 Models](#)

----- Manual continues below -----

HEAT CONTROLLER, INC.

GLDH

Parts List
15-February-2012



This parts list is current as of the above revision date.

Form Number: 92-42810-GLDH

Table of Contents

| | |
|-------------------------------------|---------|
| Model Explanation | Page 3 |
| Parts Numbers | |
| Panels - Miscellaneous 04-07 | Page 4 |
| Panels - Miscellaneous 09-12 | Page 5 |
| Parts Bag | Page 6 |
| Electrical Group | Page 7 |
| Blower Group | Page 8 |
| Heat Exchanger-Burner Group | Page 9 |
| Gas Controls | Page 10 |
| Orifice Selection Chart | Page 11 |
| Drawings/Photographs | |
| Exploded View | Page 12 |
| Horizontal Installation Parts | Page 13 |
| Blower Assembly | Page 14 |
| Burner Assembly | Page 15 |
| Notes | Page 16 |

MODEL NUMBER EXPLANATION

| | | | | | | | | | |
|----------|----------|----------|----------|----------|----------|----------|----------|----------|----------|
| G | L | D | H | - | 6 | 0 | E | 3 | B |
| 1 | 2 | 3 | 4 | | | 5 | | 6 | 7 |

- (1) **GAS**
- (2) **90% EFFICIENCY**
- (3) **DOWNFLOW/HORIZONTAL CONDENSING**
- (4) **PLACEHOLDER**
- (5) **HEATING INPUT DESIGNATION**
 40 = 45,000 BTU/HR
 60 = 60,000 BTU/HR
 75 = 75,000 BTU/HR
 90 = 90,000 BTU/HR
 105 = 105,000 BTU/HR
 120 = 120,000 BTU/HR
 E = Electric
 N = NOX
- (6) **DRIVE NOMINAL COOLING/REVISION LEVEL**
 3 = 3 Ton
 4 = 4 Ton
 5 = 5 Ton
- (7) **REVISION LEVEL**

SERIAL NUMBER EXPLANATION

| | | | | | | | | | | | | | | | |
|----------|----------|----------|----------|----------|----------|----------|----------|----------|----------|----------|----------|----------|----------|----------|-----------|
| G | Y | 5 | D | 7 | 0 | 2 | F | 3 | 1 | 0 | 7 | 9 | 9 | 9 | 9 |
| 1 | 2 | 3 | 4 | 5 | 6 | 7 | 8 | 9 | | | | | | | 10 |

- 1 GAS CODE**
- 2 LIMIT CONTROL**
- 3 BLOWER**
- 4 HEATING ELEMENT**
- 5 SPECIAL AREA REQUIREMENT**
- 6 MOTOR HORSEPOWER**
- 7 PLANT**
- 8 WEEK**
- 9 YEAR**
- 10 PRODUCTION NUMBER**

| No. | Notes | MODEL HEATING CAPACITY VARIATIONS | GLDH | GLDH | GLDH | GLDH |
|---|-------|--|--------------------------|-------------|-------------|-------------|
| | | | 45E 3B | 60E 3B | 75E 3B | 75E 4B |
| PANELS, SHEET METAL, MISCELLANEOUS | | | | | | |
| 1 | | Blower/Filter Door | AS-67890-11 | AS-67890-11 | AS-67890-11 | AS-67891-11 |
| 2 | | Burner Door | AS-61866-09 | AS-61866-09 | AS-61866-09 | AS-61867-09 |
| 3 | | Induced Draft Blower w/Gasket | See Electrical Group | | | |
| 4 | | Gasket - Induced Draft Blower | See Electrical Group | | | |
| 5 | | Connector/Transition | 68-24047-10 | 68-24047-10 | 68-24047-10 | 68-24047-11 |
| 6 | | Clear Vinyl Tube (Connector/Transition - Trap) | 68-24131-01 | 68-24131-01 | 68-24131-01 | 68-24131-01 |
| 7 | | Trap / Elbow Assembly | 68-24048-01 | 68-24048-01 | 68-24048-01 | 68-24048-01 |
| 8 | | Water Trap Mount Bracket | AE-61841-01 | AE-61841-01 | AE-61841-01 | AE-61841-01 |
| 9 | | Hose Clamps (4) | 64-22043-03 | 64-22043-03 | 64-22043-03 | 64-22043-03 |
| 10 | | Clear Vinyl Tube (Center Panel - Trap) | 68-24026-03 | 68-24026-03 | 68-24026-03 | 68-24026-03 |
| 15 | | Burner Components | See Heat Exchanger Group | | | |
| 16 | | Rollout Switch Bracket. (On Center Panel) | AE-61600-02 | AE-61600-02 | AE-61600-02 | AE-61600-02 |
| 17 | | Limit - Manual Reset (Burner Compartment) | See Electrical Group | | | |
| 18 | | Limit - Main Limit (Heat Exchanger Panel) | See Electrical Group | | | |
| | | Wire Harnesses | See Electrical Group | | | |
| 19 | | Heat Exchanger | See Heat Exchanger Group | | | |
| 20 | | Baffle | See Heat Exchanger Group | | | |
| 21 | | Rear Baffle | See Heat Exchanger Group | | | |
| 22 | | Baffle | See Heat Exchanger Group | | | |
| 23 | | Heat Exchanger Bracket | See Heat Exchanger Group | | | |
| 24 | | Heat Exchanger Bracket | See Heat Exchanger Group | | | |
| 25 | | Silicone Tubing - Pressure Switch | AE-61737-27 | AE-61737-27 | AE-61737-27 | AE-61737-27 |
| 26 | | Pressure Switch | See Electrical Group | | | |
| 27 | | Grommet | 56-22114-06 | 56-22114-06 | 56-22114-06 | 56-22114-06 |
| 28 | | Door Angle | AS-67847-01 | AS-67847-01 | AS-67847-01 | AS-67847-02 |
| 29 | | Button Plug (2) | 45-22980-08 | 45-22980-08 | 45-22980-08 | 45-22980-08 |
| 30 | | Outlet Pipe Gasket | 68-24022-02 | 68-24022-02 | 68-24022-02 | 68-24022-02 |
| 31 | | Outlet Pipe Assembly | 68-24150-01 | 68-24150-01 | 68-24150-01 | 68-24150-01 |
| 32 | | Jacket | AS-67824-12 | AS-67824-12 | AS-67824-12 | AS-67824-14 |
| 33 | | Top Plate | AE-67805-02 | AE-67805-02 | AE-67805-02 | AE-67805-03 |
| 34 | | Inlet Air Chase Assembly | AS-67848-01 | AS-67848-01 | AS-67848-01 | AS-67848-01 |
| 35 | | Inlet Air Chase Gasket | 68-24022-01 | 68-24022-01 | 68-24022-01 | 68-24022-01 |
| 36 | | Grommet - 1 5/8 in. | 56-22114-01 | 56-22114-01 | 56-22114-01 | 56-22114-01 |
| 36 | | Grommet - 2 in. | 56-22114-06 | 56-22114-06 | 56-22114-06 | 56-22114-06 |
| 37 | | Junction Box Cover | AE-61476-02 | AE-61476-02 | AE-61476-02 | AE-61476-02 |
| 38 | | Junction Box | AE-67825-01 | AE-67825-01 | AE-67825-01 | AE-67825-01 |
| 39 | | Door Switch - Push Button | See Electrical Group | | | |
| 49 | | Transformer w/Fuse | See Electrical Group | | | |

| No. | Notes | MODEL HEATING CAPACITY VARIATIONS | GLDH | GLDH | GLDH | GLDH |
|--------------------------------------|-------|---|--------------|--------------|--------------|--------------|
| | | | 45E 3B | 60E 3B | 75E 3B | 75E 4B |
| HORIZONTAL INSTALLATION PARTS | | | | | | |
| 9 | | Hose Clamps (4) | 64-22043-03 | 64-22043-03 | 64-22043-03 | 64-22043-03 |
| 10a | | Drain Elbow (Trap Assembly to Collector Box) | 79-102882-01 | 79-102882-01 | 79-102882-01 | 79-102882-01 |
| 11 | | Elbow (Connector/Transition to Trap Assembly) | 68-24121-01 | 68-24121-01 | 68-24121-01 | 68-24121-01 |
| 12 | | Trap Assembly | 68-24120-02 | 68-24120-02 | 68-24120-02 | 68-24120-02 |
| 13 | | Trap Gasket | 68-24123-01 | 68-24123-01 | 68-24123-01 | 68-24123-01 |
| 14 | | Hole Plugs (2) | 45-24125-01 | 45-24125-01 | 45-24125-01 | 45-24125-01 |

| No. | Notes | MODEL HEATING CAPACITY VARIATIONS | GLDH | GLDH | GLDH | GLDH |
|---|-------|--|--------------------------|-------------|-------------|-------------|
| | | | 90E 4B | 90E 5B | 105E 5B | 120E 5B |
| PANELS, SHEET METAL, MISCELLANEOUS | | | | | | |
| 1 | | Blower/Filter Door | AS-67891-11 | AS-67891-11 | AS-67891-11 | AS-67892-11 |
| 2 | | Burner Door | AS-61867-09 | AS-61867-09 | AS-61867-09 | AS-61868-09 |
| 3 | | Induced Draft Blower w/Gasket | See Electrical Group | | | |
| 4 | | Gasket - Induced Draft Blower | See Electrical Group | | | |
| 5 | | Connector/Transition | 68-24047-11 | 68-24047-11 | 68-24047-11 | 68-24047-12 |
| 6 | | Clear Vinyl Tube (Connector/Transition - Trap) | 68-24131-01 | 68-24131-01 | 68-24131-01 | 68-24131-01 |
| 7 | | Trap / Elbow Assembly | 68-24048-01 | 68-24048-01 | 68-24048-01 | 68-24048-01 |
| 8 | | Water Trap Mount Bracket | AE-61841-01 | AE-61841-01 | AE-61841-01 | AE-61841-01 |
| 9 | | Hose Clamps (4) | 64-22043-03 | 64-22043-03 | 64-22043-03 | 64-22043-03 |
| 10 | | Clear Vinyl Tube (Center Panel - Trap) | 68-24026-03 | 68-24026-03 | 68-24026-03 | 68-24026-03 |
| 15 | | Burner Components | See Heat Exchanger Group | | | |
| 16 | | Rollout Switch Bracket. (On Center Panel) | AE-61600-02 | AE-61600-02 | AE-61600-02 | AE-61600-02 |
| 17 | | Limit - Manual Reset (Burner Compartment) | See Electrical Group | | | |
| 18 | | Limit - Main Limit (Heat Exchanger Panel) | See Electrical Group | | | |
| | | Wire Harnesses | See Electrical Group | | | |
| 19 | | Heat Exchanger | See Heat Exchanger Group | | | |
| 20 | | Baffle | See Heat Exchanger Group | | | |
| 21 | | Rear Baffle | See Heat Exchanger Group | | | |
| 22 | | Baffle | See Heat Exchanger Group | | | |
| 23 | | Heat Exchanger Bracket | See Heat Exchanger Group | | | |
| 24 | | Heat Exchanger Bracket | See Heat Exchanger Group | | | |
| 25 | | Silicone Tubing - Pressure Switch | AE-61737-27 | AE-61737-27 | AE-61737-27 | AE-61737-27 |
| 26 | | Pressure Switch | See Electrical Group | | | |
| 27 | | Grommet | 56-22114-06 | 56-22114-06 | 56-22114-06 | 56-22114-06 |
| 28 | | Door Angle | AS-67847-02 | AS-67847-02 | AS-67847-02 | AS-67847-03 |
| 29 | | Button Plug (2) | 45-22980-08 | 45-22980-08 | 45-22980-08 | 45-22980-08 |
| 30 | | Outlet Pipe Gasket | 68-24022-02 | 68-24022-02 | 68-24022-02 | 68-24022-02 |
| 31 | | Outlet Pipe Assembly | 68-24150-01 | 68-24150-01 | 68-24150-01 | 68-24150-02 |
| 32 | | Jacket | AS-67824-13 | AS-67824-13 | AS-67824-13 | AS-67824-15 |
| 33 | | Top Plate | AE-67805-03 | AE-67805-03 | AE-67805-03 | AE-67805-04 |
| 34 | | Inlet Air Chase Assembly | AS-67848-01 | AS-67848-01 | AS-67848-01 | AS-67848-01 |
| 35 | | Inlet Air Chase Gasket | 68-24022-01 | 68-24022-01 | 68-24022-01 | 68-24022-01 |
| 36 | | Grommet - 1 5/8 in. | 56-22114-01 | 56-22114-01 | 56-22114-01 | 56-22114-01 |
| 36 | | Grommet - 2 in. | 56-22114-06 | 56-22114-06 | 56-22114-06 | 56-22114-06 |
| 37 | | Junction Box Cover | AE-61476-02 | AE-61476-02 | AE-61476-02 | AE-61476-02 |
| 38 | | Junction Box | AE-67825-01 | AE-67825-01 | AE-67825-01 | AE-67825-01 |
| 39 | | Door Switch - Push Button | See Electrical Group | | | |
| 49 | | Transformer w/Fuse | See Electrical Group | | | |

| No. | Notes | MODEL HEATING CAPACITY VARIATIONS | GLDH | GLDH | GLDH | GLDH |
|--------------------------------------|-------|---|--------------|--------------|--------------|--------------|
| | | | 90E 4B | 90E 5B | 105E 5B | 120E 5B |
| HORIZONTAL INSTALLATION PARTS | | | | | | |
| 9 | | Hose Clamps (4) | 64-22043-03 | 64-22043-03 | 64-22043-03 | 64-22043-03 |
| 10a | | Drain Elbow (Trap Assembly to Collector Box) | 79-102882-01 | 79-102882-01 | 79-102882-01 | 79-102882-01 |
| 11 | | Elbow (Connector/Transition to Trap Assembly) | 68-24121-01 | 68-24121-01 | 68-24121-01 | 68-24121-01 |
| 12 | | Trap Assembly | 68-24120-02 | 68-24120-02 | 68-24120-02 | 68-24120-02 |
| 13 | | Trap Gasket | 68-24123-01 | 68-24123-01 | 68-24123-01 | 68-24123-01 |
| 14 | | Hole Plugs (2) | 45-24125-01 | 45-24125-01 | 45-24125-01 | 45-24125-01 |

| No. | Notes | MODEL HEATING CAPACITY BLOWER DESIGNATION | GLDH ALL ALL |
|------------------|-------|--|--------------------|
| PARTS BAG | | | |
| | | Complete Parts Bag Assembly | AS-100717-03 |
| | | 1/2 in. PVC Pipe - 4 in. | 68-22024-04 |
| | | 1/2 in. Tee | 68-21980-02 |
| | | PVC Vane | 68-23473-01 |
| | | PVC Wind Vane - 2 1/2 in. | 68-24049-01 |
| | 3 | Drain Tube - 6 3/4 in. (Before F1809) - See Note 3 | 68-24026-04 |
| | | Elbow | 68-24121-01 |
| 9 | | Hose Clamps (2) (Before F1809) | 64-22043-03 |
| 9 | | Hose Clamps (2) (After F1809) | 64-22043-01 |
| 12 | | Trap Assembly | 68-24120-02 |
| 13 | | Trap Gasket | 68-24123-01 |
| 14 | | Hole Plug (2) | 45-24125-01 |

| No. | Notes | MODEL HEATING CAPACITY BLOWER DESIGNATION | GLDH ALL ALL |
|-------------------------------|-------|---|--------------------|
| FIELD REPLACEMENT KITS | | | |
| | | Kit - Converting To Left Drain For Downflow Models | RXGY-H01 |
| | | Kit - Field Replacement For Drain Hoses (Downflow and Horizontal 90 Plus) | RXGY-H02 |

| No. | Notes | MODEL HEATING CAPACITY VARIATIONS | GLDH 45E 3B | GLDH 60E 3B | GLDH 75E 3B | GLDH 75E 4B |
|-------------------------|--------|---|--------------------|--------------------|--------------------|--------------------|
| ELECTRICAL GROUP | | | | | | |
| 3 | | Induced Draft Blower w/Gasket | 70-24033-01 | 70-24033-01 | 70-24033-01 | 70-24033-01 |
| 4 | | Gasket - Induced Draft Blower | 68-24016-01 | 68-24016-01 | 68-24016-01 | 68-24016-01 |
| 17 | Stk, 2 | Limit - Manual Reset (Burner Compartment) - See Note 2 | 47-22861-04 | 47-22861-04 | 47-22861-04 | 47-22861-04 |
| 18 | Stk | Limit - Main Limit (Heat Exchanger Panel) | 47-25350-09 | 47-25350-07 | 47-25350-01 | 47-25350-09 |
| 26 | Stk | Pressure Switch | 42-24196-01 | 42-24196-04 | 42-24196-01 | 42-24196-01 |
| 39 | | Door Switch - Push Button | 42-22692-02 | 42-22692-02 | 42-22692-02 | 42-22692-02 |
| 40 | | Wire Harness - 4 pin to 3 terminals (2 eyelet/1 straight) and 1 strip wire, 4 wires | 45-24371-41 | 45-24371-41 | 45-24371-41 | 45-24371-41 |
| 41 | | Wire Harness - 9 pin to 9 pin and 4 pin, 8 wires | 45-24371-28 | 45-24371-28 | 45-24371-28 | 45-24371-28 |
| 42 | | Wire Harness - 6 pin to 2 pin and 3 flag terminals, 4 wires off 6 pin | 45-24371-29 | 45-24371-29 | 45-24371-29 | 45-24371-29 |
| 43 | | Wire Harness - Twist-Lock: 9 pin to eight terminals and 6 pin to 4 pin, 12 wires | 45-24393-02 | 45-24393-02 | 45-24393-02 | 45-24393-02 |
| 49 | Stk | Transformer | 46-24124-03 | 46-24124-03 | 46-24124-03 | 46-24124-03 |
| 51 | | Integrated Furnace Control Board (IFC) | See Gas Controls | | | |
| 52 | | Capacitor - Induced Draft Blower | 43-20847-43 | 43-20847-43 | 43-20847-43 | 43-20847-43 |
| 54 | Stk | Limit - Heat Assisted (Blower Housing) | 47-22860-02 | 47-22860-02 | 47-22860-01 | 47-22860-02 |
| 58 | Stk | Limit - Manual Reset (Burner Compartment) | 47-22861-02 (1) | 47-22861-02 (1) | 47-22861-02 (2) | 47-22861-02 (2) |

| No. | Notes | MODEL HEATING CAPACITY VARIATIONS | GLDH 90E 4B | GLDH 90E 5B | GLDH 105E 5B | GLDH 120E 5B |
|-------------------------|--------|---|--------------------|--------------------|--------------------|--------------------|
| ELECTRICAL GROUP | | | | | | |
| 3 | | Induced Draft Blower w/Gasket | 70-24033-01 | 70-24033-01 | 70-24033-01 | 70-24033-01 |
| 4 | | Gasket - Induced Draft Blower | 68-24016-01 | 68-24016-01 | 68-24016-01 | 68-24016-01 |
| 17 | Stk, 2 | Limit - Manual Reset (Burner Compartment) - See Note 2 | 47-22861-04 | 47-22861-04 | 47-22861-04 | 47-22861-04 |
| 18 | Stk | Limit - Main Limit (Heat Exchanger Panel) | 47-25350-10 | 47-25350-10 | 47-25350-06 | 47-25350-06 |
| 26 | Stk | Pressure Switch | 42-24196-04 | 42-24196-04 | 42-24196-03 | 42-24196-02 |
| 39 | | Door Switch - Push Button | 42-22692-02 | 42-22692-02 | 42-22692-02 | 42-22692-02 |
| 40 | | Wire Harness - 4 pin to 3 terminals (2 eyelet/1 straight) and 1 strip wire, 4 wires | 45-24371-41 | 45-24371-41 | 45-24371-41 | 45-24371-41 |
| 41 | | Wire Harness - 9 pin to 9 pin and 4 pin, 8 wires | 45-24371-28 | 45-24371-28 | 45-24371-28 | 45-24371-28 |
| 42 | | Wire Harness - 6 pin to 2 pin and 3 flag terminals, 4 wires off 6 pin | 45-24371-29 | 45-24371-29 | 45-24371-29 | 45-24371-29 |
| 43 | | Wire Harness - Twist-Lock: 9 pin to eight terminals and 6 pin to 4 pin, 12 wires | 45-24393-02 | 45-24393-02 | 45-24393-02 | 45-24393-02 |
| 49 | Stk | Transformer | 46-24124-03 | 46-24124-03 | 46-24124-03 | 46-24124-03 |
| 51 | | Integrated Furnace Control Board (IFC) | See Gas Controls | | | |
| 52 | | Capacitor - Induced Draft Blower | 43-20847-43 | 43-20847-43 | 43-20847-43 | 43-20847-43 |
| 54 | Stk | Limit - Heat Assisted (Blower Housing) | 47-22860-02 | 47-22860-02 | 47-22860-05 | 47-22860-03 |
| 58 | Stk | Limit - Manual Reset (Burner Compartment) | 47-22861-02 (2) | 47-22861-02 (2) | 47-22861-02 (2) | 47-22861-02 (2) |

| No. | Notes | MODEL HEATING CAPACITY VARIATIONS | GLDH 45E 3B | GLDH 60E 3B | GLDH 75E 3B | GLDH 75E 4B |
|---------------------|-------|---|----------------------|--------------|--------------|-------------|
| BLOWER GROUP | | | | | | |
| 44 | Stk | Blower Assembly (Includes items 45-48 and 53) | AS-61697-38 | AS-61697-93 | AS-61697-93 | AS-61697-95 |
| 45 | | Motor Mount Leg (4) | AE-61698-02 | AE-61698-02 | AE-61698-02 | AE-61698-02 |
| 46 | Stk | Blower Motor | 51-26141-01 | 51-24144-01 | 51-24144-01 | 51-24146-01 |
| 47 | | Blower Housing | AS-61674-14 | AS-61674-14 | AS-61674-14 | AS-61674-14 |
| 48 | Stk | Blower Wheel | 70-22688-01 | 70-22688-01 | 70-22688-01 | 70-24119-01 |
| 50 | | Control Mounting Plate | AE-67877-01 | AE-67877-01 | AE-67877-01 | AE-67877-01 |
| 51 | | Integrated Furnace Control Board (IFC) | See Gas Controls | | | |
| 52 | | Capacitor - Induced Draft Blower | See Electrical Group | | | |
| 53 | Stk | Capacitor - Blower Motor | 43-100509-42 | 43-100509-42 | 43-100509-42 | 43-21298-43 |
| 54 | | Limit - Heat Assisted (Blower Housing) | See Electrical Group | | | |

| No. | Notes | MODEL HEATING CAPACITY VARIATIONS | GLDH 90E 4B | GLDH 90E 5B | GLDH 105E 5B | GLDH 120E 5B |
|---------------------|-------|---|----------------------|-------------|--------------|--------------|
| BLOWER GROUP | | | | | | |
| 44 | Stk | Blower Assembly (Includes items 45-48 and 53) | AS-61697-96 | AS-61697-97 | AS-61697-97 | AS-61697-99 |
| 45 | | Motor Mount Leg (4) | AE-61698-02 | AE-61698-02 | AE-61698-02 | AE-61698-02 |
| 46 | Stk | Blower Motor | 51-24145-01 | 51-24146-01 | 51-24146-01 | 51-24146-01 |
| 47 | | Blower Housing | AS-61674-15 | AS-61674-15 | AS-61674-15 | AS-61674-16 |
| 48 | Stk | Blower Wheel | 70-24041-01 | 70-24041-01 | 70-24041-01 | 70-20602-01 |
| 50 | | Control Mounting Plate | AE-67877-01 | AE-67877-01 | AE-67877-01 | AE-67877-01 |
| 51 | | Integrated Furnace Control Board (IFC) | See Gas Controls | | | |
| 52 | | Capacitor - Induced Draft Blower | See Electrical Group | | | |
| 53 | Stk | Capacitor - Blower Motor | 43-21298-43 | 43-21298-43 | 43-21298-43 | 43-21298-43 |
| 54 | | Limit - Heat Assisted (Blower Housing) | See Electrical Group | | | |

| No. | Notes | MODEL HEATING CAPACITY VARIATIONS | GLDH | GLDH | GLDH | GLDH |
|--|-------|--|-----------------------------|-------------|-------------|-------------|
| | | | 45E 3B | 60E 3B | 75E 3B | 75E 4B |
| HEAT EXCHANGER, BURNER / MANIFOLD GROUP | | | | | | |
| 17 | Stk | Limit - Manual Reset (Burner Compartment) | See Electrical Group | | | |
| 18 | Stk | Limit - Main Limit (Heat Exchanger Panel) | See Electrical Group | | | |
| 19 | Stk | Heat Exchanger | AS-67818-22 | AS-67818-23 | AS-67818-24 | AS-67818-26 |
| 20 | | Baffle | AE-61876-01 | AE-61875-01 | AE-61875-01 | AE-61876-01 |
| 21 | | Rear Baffle | AE-61878-01 | AE-61878-01 | AE-61878-01 | AE-61878-02 |
| 22 | | Baffle | AE-61876-02 | AE-61875-02 | AE-61875-02 | AE-61876-02 |
| | | Blower Shelf Baffle | N/A | N/A | N/A | AE-67845-01 |
| 23 | | Heat Exchanger Bracket | AE-67846-02 | AE-67846-02 | AE-67846-02 | AE-67846-02 |
| 24 | | Heat Exchanger Bracket | AE-61959-01 | AE-61959-01 | AE-61959-01 | AE-61959-01 |
| 15 | | Burner Components (items 55-59): | | | | |
| 55 | Stk | Burner Assembly | AS-61984-03 | AS-61984-04 | AS-61984-05 | AS-61984-05 |
| 56 | | Burner Support Bracket (2) | AE-61808-01 | AE-61808-01 | AE-61808-01 | AE-61808-01 |
| 57 | | Burner Support | AE-61809-11 | AE-61809-12 | AE-61809-13 | AE-61809-13 |
| 58 | Stk | Limit - Manual Reset (Burner Compartment) | See Electrical Group | | | |
| 59 | Stk | Manifold (w/o Orifices) | 81-24396-01 | 81-24396-02 | 81-24396-03 | 81-24396-03 |
| 60 | | Burner Orifice - Natural Gas | See Orifice Selection Chart | | | |
| 60 | | Burner Orifice - LP | See Orifice Selection Chart | | | |
| | | Number of Orifices | (3) | (4) | (5) | (5) |

| No. | Notes | MODEL HEATING CAPACITY VARIATIONS | GLDH | GLDH | GLDH | GLDH |
|--|-------|--|-----------------------------|-------------|-------------|-------------|
| | | | 90E 4B | 90E 5B | 105E 5B | 120E 5B |
| HEAT EXCHANGER, BURNER / MANIFOLD GROUP | | | | | | |
| 17 | Stk | Limit - Manual Reset (Burner Compartment) | See Electrical Group | | | |
| 18 | Stk | Limit - Main Limit (Heat Exchanger Panel) | See Electrical Group | | | |
| 19 | Stk | Heat Exchanger | AS-67818-25 | AS-67818-25 | AS-67818-27 | AS-67818-28 |
| 20 | | Baffle | AE-61875-01 | AE-61875-01 | AE-61875-01 | AE-61875-01 |
| 21 | | Rear Baffle | AE-61878-02 | AE-61878-02 | AE-61878-02 | AE-61878-03 |
| 22 | | Baffle | AE-61875-02 | AE-61875-02 | AE-61875-02 | AE-61875-02 |
| | | Blower Shelf Baffle | N/A | N/A | N/A | AE-67845-01 |
| 23 | | Heat Exchanger Bracket | AE-67846-02 | AE-67846-02 | AE-67846-02 | AE-67846-02 |
| 24 | | Heat Exchanger Bracket | AE-61959-01 | AE-61959-01 | AE-61959-01 | AE-61959-01 |
| 15 | | Burner Components (items 55-59): | | | | |
| 55 | Stk | Burner Assembly | AS-61984-06 | AS-61984-06 | AS-61984-07 | AS-61984-08 |
| 56 | | Burner Support Bracket (2) | AE-61808-01 | AE-61808-01 | AE-61808-01 | AE-61808-01 |
| 57 | | Burner Support | AE-61809-14 | AE-61809-14 | AE-61809-15 | AE-61809-16 |
| 58 | Stk | Limit - Manual Reset (Burner Compartment) | See Electrical Group | | | |
| 59 | Stk | Manifold (w/o Orifices) | 81-24396-04 | 81-24396-04 | 81-24396-05 | 81-24396-06 |
| 60 | | Burner Orifice - Natural Gas | See Orifice Selection Chart | | | |
| 60 | | Burner Orifice - LP | See Orifice Selection Chart | | | |
| | | Number of Orifices | (6) | (6) | (7) | (8) |

| No. | Notes | MODEL GAS CODE | GLDH GY | GLDH EJ | GLDH EL |
|---------------------|-------|--|--------------|-------------|-------------|
| GAS CONTROLS | | | | | |
| 51 | Stk | Integrated Furnace Control Board (IFC) | 62-25338-01 | 62-24140-04 | 62-24140-04 |
| 61 | Stk | Gas Valve - Natural Gas | 60-100394-02 | 60-22866-01 | 60-23490-01 |
| 61 | Stk,1 | Gas Valve - LP | See Note 1 | See Note 1 | See Note 1 |
| 63 | Stk | Ignitor | 62-24141-04 | 62-24141-04 | 62-24141-04 |
| 64 | | Ignitor Bracket | AE-61885-02 | AE-61885-02 | AE-61885-02 |
| 65 | Stk | Flame Sensor | 62-23543-01 | 62-23543-01 | 62-23543-01 |
| | Stk | LP Conversion Kit | FP-02 | FP-02 | FP-02 |

90% GAS FURNACE - ORIFICE SELECTION CHART - NATURAL GAS

CAUTION: Selection of the correct Natural Gas Orifice requires the following information for the specific installation:

- 1) Altitude in of the installation (ft.).
- 2) Average energy content of the Natural Gas fuel from the local supplier (BTU/cu. ft.).

For detailed information and instructions for Orifice selection, see the Gas Furnace LP Conversion Kit Index 92-21519-59 and the latest edition of the National Fuel Gas Code Handbook, or the National Standard of Canada, Natural Gas and Propane Installation Code, CAN B149.1.

CAUTION: This information is provided for replacement purposes only. Conversion for operation at High Altitude must be done using the kit specified on the product specification sheet for the unit.

NOTE: This Orifice sizing chart is based on 15,000 BTU/HR per burner.

NOTE: Factory installed orifices are calculated and sized based on a Natural Gas heating value of 1075 BTU/cu. ft. and an elevation of 0 - 2000 ft.

| Energy Value (BTU/cu. ft.) | Elevation (ft.) | | | | | | | |
|-------------------------------|-----------------|-------------|-------------|-------------|-------------|-------------|-------------|-------------|
| | 0 - 1999 | 2000 - 2999 | 3000 - 3999 | 4000 - 4999 | 5000 - 5999 | 6000 - 6999 | 7000 - 7999 | 8000 - 8999 |
| 850 | 62-22175-47 | 62-22175-48 | 62-22175-48 | 62-22175-49 | 62-22175-49 | 62-22175-49 | 62-22175-50 | 62-22175-50 |
| 900 | 62-22175-48 | 62-22175-49 | 62-22175-49 | 62-22175-49 | 62-22175-50 | 62-22175-50 | 62-22175-50 | 62-22175-51 |
| 975 | 62-22175-49 | 62-22175-50 | 62-22175-50 | 62-22175-50 | 62-22175-51 | 62-22175-51 | 62-22175-51 | 62-22175-52 |
| 1075 | 62-22175-50 | 62-22175-51 | 62-22175-51 | 62-22175-51 | 62-22175-51 | 62-22175-52 | 62-22175-52 | 62-22175-52 |
| 1170 | 62-22175-51 | 62-22175-51 | 62-22175-52 | 62-22175-52 | 62-22175-52 | 62-22175-53 | 62-22175-53 | 62-22175-53 |

90% GAS FURNACE - ORIFICE SELECTION CHART - LP

CAUTION: Selection of the correct LP Orifice requires the altitude of the specific installation (ft.).

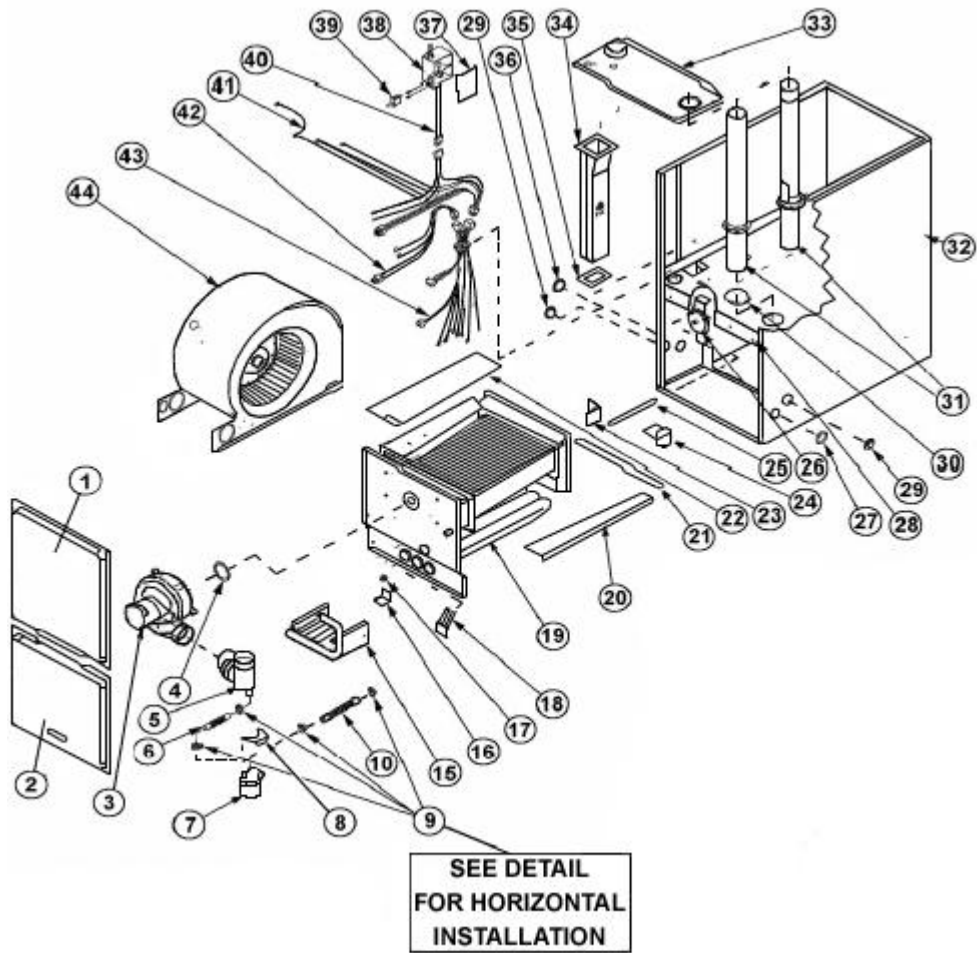
For detailed information and instructions for Orifice selection, see the Gas Furnace LP Conversion Kit Index 92-21519-59 and the latest edition of the National Fuel Gas Code Handbook (NFG), or the National Standard of Canada, Natural Gas and Propane Installation Code, CAN B149.1.

CAUTION: This information is provided for replacement purposes only. Conversion to LP or for operation at High Altitude should be done using the kit(s) specified on the product specification sheet for the unit.

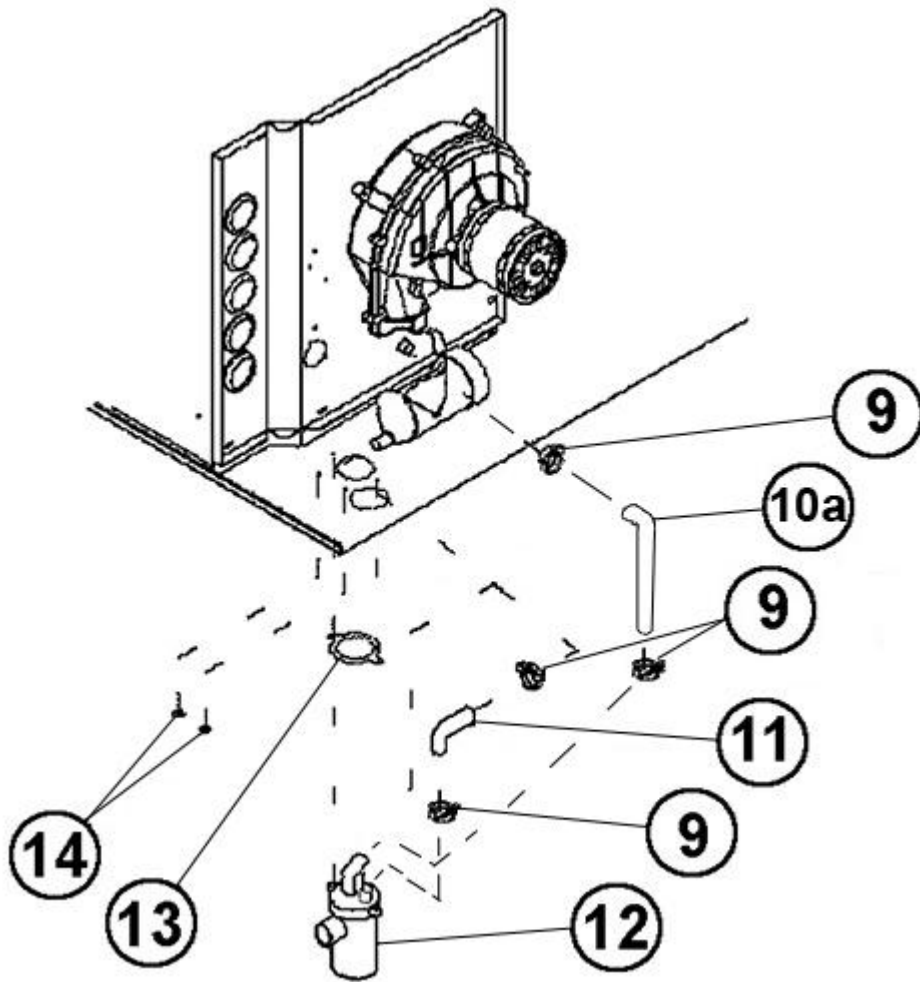
NOTE: This Orifice sizing chart is based on 15,000 BTU/HR per burner. Also, the chart is developed using the specified pressure setting of 10 in. water column instead of the 11.0 in water column used by the NFG and CANB149.1.

NOTE: Orifices supplied in the LP Conversion Kit are calculated and sized based on an altitude of 0 - 2000 ft.

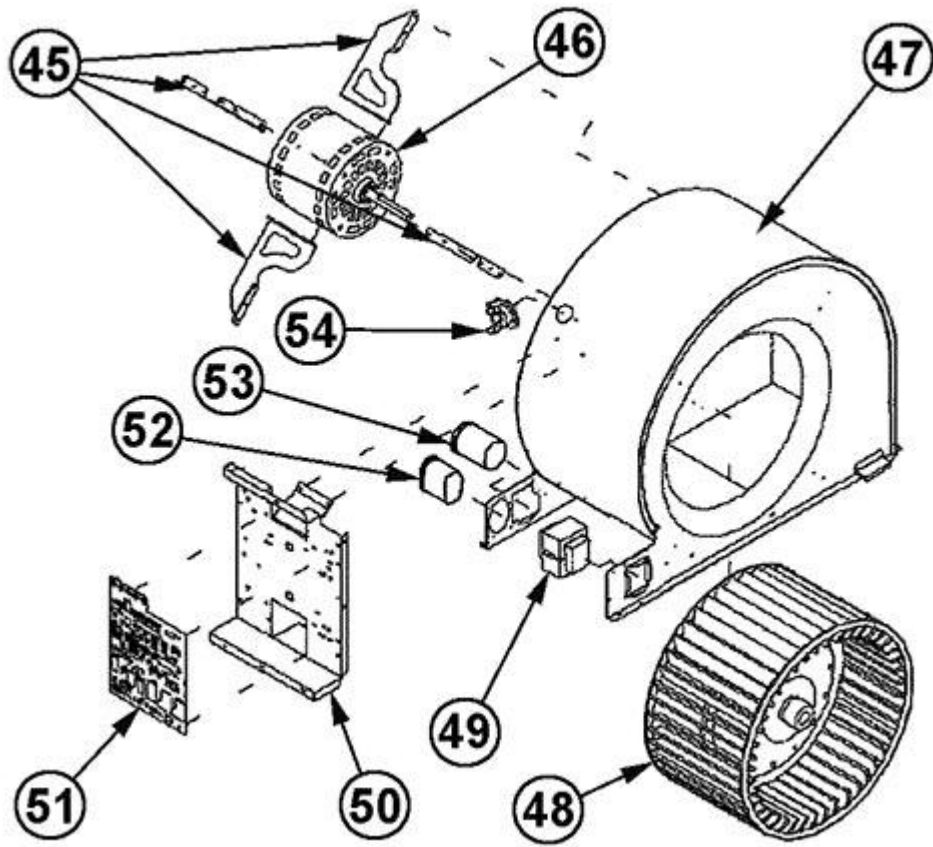
| Elevation (ft.) | Orifice | | | | | | | |
|-----------------|-------------|--|--|--|--|--|--|--|
| 0 to 2000 ft. | 62-22175-91 | | | | | | | |
| 2001 to 3000 | 62-22175-91 | | | | | | | |
| 3001 to 4000 | 62-22175-90 | | | | | | | |
| 4001 to 5000 | 62-22175-58 | | | | | | | |
| 5001 to 6000 | 62-22175-59 | | | | | | | |
| 6001 to 7000 | 62-22175-60 | | | | | | | |
| 7001 to 8000 | 62-22175-62 | | | | | | | |
| 8001 to 9000 | 62-22175-63 | | | | | | | |
| 9001 to 1000 | 62-22175-64 | | | | | | | |



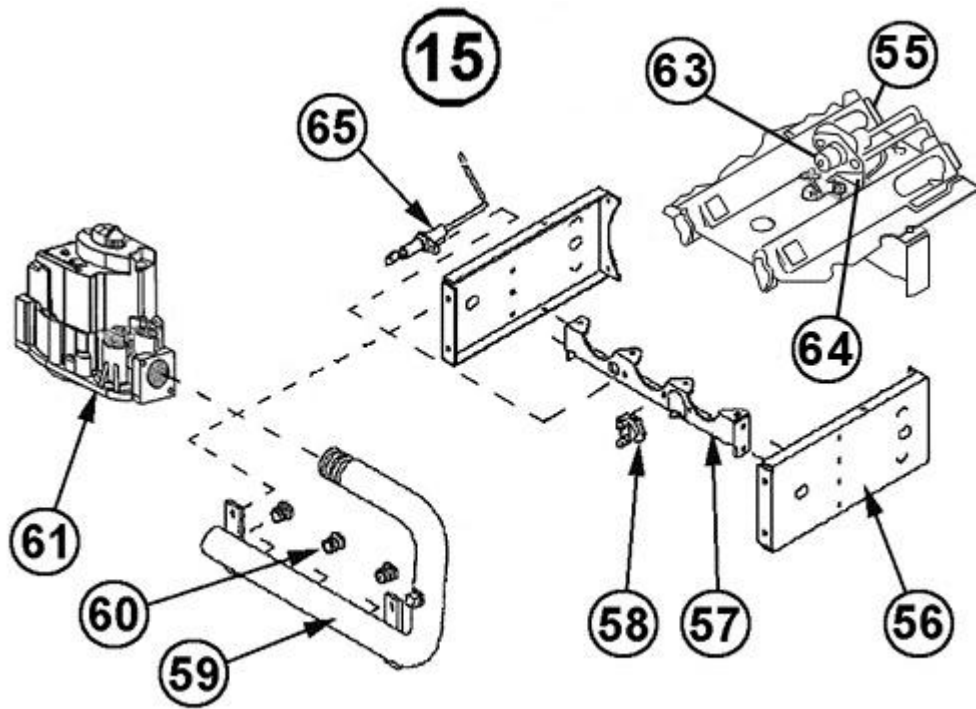
Exploded View



Horizontal Installation Parts



Blower Assembly



Burner Assembly

NOTES

Stk It is recommended that stock be maintained for this part.

N/A Not Applicable

- 1 Order Gas Valve for Natural Gas along with LP Conversion Kit
- 2 Units manufactured before F5109 used a limit switch with a set point different than the specified replacement. The specified replacement should be used for all units regardless of date code.
- 3 Parts Bag deletion of 68-24026-04 Drain Tube requires that Tube 79-102882-01 be cut to length for horizontal applications on units produced after approximate date code F2209.