

This Owner's Manual is provided and hosted by [Appliance Factory Parts](#).



COMFORT-AIRE MAH24A-1K Owner's Manual

[Shop genuine replacement parts for COMFORT-AIRE
MAH24A-1K](#)



[Find Your COMFORT-AIRE HVAC Parts - Select From 1486 Models](#)

----- Manual continues below -----

HEAT CONTROLLER, INC.

MAH

Parts List
20-October-2011



This parts list is current as of the above revision date.

Form Number: 92-42810-MAH

Table of Contents

| | |
|--------------------------------------|---------|
| Model Explanation | Page 3 |
| Parts Numbers | |
| Panels - Miscellaneous 024-036 | Page 4 |
| Panels - Miscellaneous 042-060 | Page 5 |
| Electrical Group | Page 6 |
| Fan Group | Page 6 |
| Blower Group | Page 7 |
| Coil Parts | Page 8 |
| Compressor Group | Page 9 |
| Heater Kits | Page 10 |
| Accessories | Page 10 |
| Drawings/Photographs | |
| Exploded View | Page 11 |
| Control Panel | Page 12 |
| Blower Assembly | Page 13 |
| Coil Assembly | Page 14 |
| Notes | Page 15 |

MODEL NUMBER EXPLANATION

| | | | | | | | | |
|----------|----------|----------|----------|----------|----------|----------|----------|----------|
| M | A | H | 2 | 4 | A | - | 1 | K |
| 1 | | | 2 | | 3 | | | |

- (1) **SERIES**
- (2) **COOLING CAPACITY (BTU/HR)**
 24= 24,000
 30= 30,000
 36= 36,000
 42= 42,000
 48= 48,000
 60= 60,000
- (3) **VARIATION**

SERIAL NUMBER EXPLANATION

| | | | | | | | | | | | | | |
|----------|----------|----------|----------|----------|----------|----------|----------|----------|----------|----------|----------|----------|----------|
| 7 | 0 | 9 | 2 | F | 0 | 7 | 0 | 1 | 9 | 9 | 9 | 9 | 9 |
| 1 | | | | 2 | 3 | | 4 | 5 | | | | | |

- (1) **COMPRESSOR IDENTIFICATION NUMBER**
- (2) **PRODUCTION LOCATION**
- (3) **WEEK OF PRODUCTION**
- (4) **YEAR OF PRODUCTION**
- (5) **PRODUCTION NUMBER**

| No. | Notes | MODEL COOLING CAPACITY VARIATION | MAH 24 A-1K | MAH 30 A-1K | MAH 36 A-1K |
|------------------------------------|-------|--|-------------------|-------------------|-------------------|
| PANELS, MISCELLANEOUS PARTS | | | | | |
| 1 | | Louver Panel | AE-100830-22 | AE-100830-22 | AE-100830-22 |
| 2 | | Corner Post | AE-100822-21 | AE-100822-21 | AE-100822-21 |
| 3 | | Front Post | AE-100821-21 | AE-100821-21 | AE-100821-21 |
| 4 | | Louver Panel | AE-100830-21 | AE-100830-21 | AE-100830-21 |
| 5 | | Insulation Retainer | AE-100831-02 | AE-100831-02 | AE-100831-02 |
| 6 | | Front Access Panel | AE-100823-21 | AE-100823-21 | AE-100823-21 |
| 7 | Stk | Drainpan | 68-100808-01 | 68-100808-01 | 68-100808-01 |
| 8 | | Air Stop - Drainpan | AE-100825-01 | AE-100825-01 | AE-100825-01 |
| 9 | | Air Stop - Drainpan | AE-100825-02 | AE-100825-02 | AE-100825-02 |
| 10 | | Drainpan Tray | AE-100809-01 | AE-100809-01 | AE-100809-01 |
| 11 | | Control Access Panel | AE-100824-21 | AE-100824-21 | AE-100824-21 |
| 12 | | Control Panel Assembly | AS-100807-01 | AS-100807-01 | AS-100807-01 |
| 13 | | Base Rail (2) | AE-100803-02 | AE-100803-02 | AE-100803-02 |
| 14 | | Base Rail (2) | AE-100803-01 | AE-100803-01 | AE-100803-01 |
| 15 | | Base Pan | AE-100804-01 | AE-100804-01 | AE-100804-01 |
| 16 | | Right Panel Assembly | AS-100820-21 | AS-100820-21 | AS-100820-21 |
| 17 | | Blower Support | AE-100818-02 | AE-100818-02 | AE-100818-02 |
| | | Insulation Retainer (2) | AE-100831-01 | AE-100831-01 | AE-100831-01 |
| | | Duct Ring - 14 in. | 58-100850-01 | 58-100850-01 | 58-100850-01 |
| 18 | | Transition Bottom | AE-100815-01 | AE-100815-01 | AE-100815-01 |
| 19 | | Transition Top | AE-100815-02 | AE-100815-02 | AE-100815-02 |
| 20 | | Block Off Plate | AE-100816-01 | AE-100816-01 | AE-100816-01 |
| 21 | | Rear Panel Assembly | AS-100814-21 | AS-100814-21 | AS-100814-21 |
| 22 | | Rear Air Stop | AE-100810-01 | AE-100810-01 | AE-100810-01 |
| 23 | | Top Panel Assembly (Indoor) | AS-100828-21 | AS-100828-21 | AS-100828-21 |
| 24 | | Top Panel (Outdoor) | AE-100829-21 | AE-100829-21 | AE-100829-21 |
| 25 | | Grille | 95-100833-01 | 95-100833-01 | 95-100833-01 |
| 28 | | Blower Support | AE-100818-01 | AE-100818-01 | AE-100818-01 |
| 29 | | Bulkhead Cap Assembly | AS-100826-21 | AS-100826-21 | AS-100826-21 |
| 30 | | Bulkhead Assembly | AS-100812-01 | AS-100812-01 | AS-100812-01 |
| 37 | | Low Voltage Mount | AE-100839-01 | AE-100839-01 | AE-100839-01 |
| 38 | | Low Voltage Cover | AE-100839-02 | AE-100839-02 | AE-100839-02 |
| 43 | | Heater Kit Delete Plate (Mounted in Control Box) | AE-100842-01 | AE-100842-01 | AE-100842-01 |
| 49 | | Gaugeport Enclosure | AE-101352-01 | AE-101352-01 | AE-101352-01 |

| No. | Notes | MODEL COOLING CAPACITY VARIATION | MAH 42 A-1K | MAH 48 A-1K | MAH 60 A-1K |
|------------------------------------|-------|--|-------------------|-------------------|-------------------|
| PANELS, MISCELLANEOUS PARTS | | | | | |
| 1 | | Louver Panel | AE-100830-22 | AE-100830-24 | AE-100830-24 |
| 2 | | Corner Post | AE-100822-21 | AE-100822-22 | AE-100822-22 |
| 3 | | Front Post | AE-100821-21 | AE-100821-22 | AE-100821-22 |
| 4 | | Louver Panel | AE-100830-21 | AE-100830-23 | AE-100830-23 |
| 5 | | Insulation Retainer | AE-100831-02 | AE-100831-03 | AE-100831-03 |
| 6 | | Front Access Panel | AE-100823-21 | AE-100823-22 | AE-100823-22 |
| 7 | Stk | Drainpan | 68-100808-01 | 68-100808-01 | 68-100808-01 |
| 8 | | Air Stop - Drainpan | AE-100825-01 | AE-100825-01 | AE-100825-01 |
| 9 | | Air Stop - Drainpan | AE-100825-02 | AE-100825-02 | AE-100825-02 |
| 10 | | Drainpan Tray | AE-100809-01 | AE-100809-01 | AE-100809-01 |
| 11 | | Control Access Panel | AE-100824-21 | AE-100824-22 | AE-100824-22 |
| 12 | | Control Panel Assembly | AS-100807-01 | AS-100807-02 | AS-100807-02 |
| 13 | | Base Rail (2) | AE-100803-02 | AE-100803-02 | AE-100803-02 |
| 14 | | Base Rail (2) | AE-100803-01 | AE-100803-01 | AE-100803-01 |
| 15 | | Base Pan | AE-100804-01 | AE-100804-01 | AE-100804-01 |
| 16 | | Right Panel Assembly | AS-100820-21 | AS-100820-22 | AS-100820-22 |
| 17 | | Blower Support | AE-100818-02 | AE-100818-02 | AE-100818-02 |
| | | Insulation Retainer (2) | AE-100831-01 | AE-100831-01 | AE-100831-01 |
| | | Duct Ring - 14 in. | 58-100850-01 | 58-100850-01 | 58-100850-01 |
| 18 | | Transition Bottom | AE-100815-01 | AE-100815-01 | AE-100815-01 |
| 19 | | Transition Top | AE-100815-02 | AE-100815-02 | AE-100815-02 |
| 20 | | Block Off Plate | AE-100816-01 | AE-100816-01 | AE-100816-01 |
| 21 | | Rear Panel Assembly | AS-100814-21 | AS-100814-22 | AS-100814-22 |
| 22 | | Rear Air Stop | AE-100810-01 | AE-100810-02 | AE-100810-02 |
| 23 | | Top Panel Assembly (Indoor) | AS-100828-21 | AS-100828-21 | AS-100828-21 |
| 24 | | Top Panel (Outdoor) | AE-100829-21 | AE-100829-21 | AE-100829-21 |
| 25 | | Grille | 95-100833-01 | 95-100833-01 | 95-100833-01 |
| 28 | | Blower Support | AE-100818-01 | AE-100818-01 | AE-100818-01 |
| 29 | | Bulkhead Cap Assembly | AS-100826-21 | AS-100826-21 | AS-100826-21 |
| 30 | | Bulkhead Assembly | AS-100812-01 | AS-100812-02 | AS-100812-02 |
| 37 | | Low Voltage Mount | AE-100839-01 | AE-100839-01 | AE-100839-01 |
| 38 | | Low Voltage Cover | AE-100839-02 | AE-100839-02 | AE-100839-02 |
| 43 | | Heater Kit Delete Plate (Mounted in Control Box) | AE-100842-01 | AE-100842-01 | AE-100842-01 |
| 49 | | Gaugeport Enclosure | AE-101352-01 | AE-101352-01 | AE-101352-01 |

| No. | Notes | MODEL COOLING CAPACITY VARIATION | MAH 24 A-1K | MAH 30 A-1K | MAH 36 A-1K |
|-------------------------|-------|--|----------------------|-------------------|-------------------|
| ELECTRICAL GROUP | | | | | |
| CONTROL BOX COMPONENTS: | | | | | |
| 39 | | Terminal Strip | 45-23591-01 | 45-23591-01 | 45-23591-01 |
| 40 | Stk | Transformer | 46-100836-01 | 46-100836-01 | 46-100836-01 |
| 41 | Stk | Blower Time Delay | 47-23433-05 | 47-23433-05 | 47-23433-05 |
| 42 | Stk | Relay | 42-101208-01 | 42-101208-01 | 42-101208-01 |
| 44 | Stk | Capacitor - Blower Motor | See Blower Group | | |
| 45 | | Capacitor Strap - Blower Motor Capacitor | AE-50892-01 | AE-50892-01 | AE-50892-01 |
| 46 | Stk | Contactora | 42-42728-03 | 42-42728-03 | 42-42728-03 |
| 47 | | Capacitor Strap - Compressor/Fan | AE-50892-56 | AE-50892-56 | AE-50892-56 |
| 48 | Stk | Capacitor - Compressor/Fan | See Compressor Group | | |

| No. | Notes | MODEL COOLING CAPACITY VARIATION | MAH 42 A-1K | MAH 48 A-1K | MAH 60 A-1K |
|-------------------------|-------|--|----------------------|-------------------|-------------------|
| ELECTRICAL GROUP | | | | | |
| CONTROL BOX COMPONENTS: | | | | | |
| 39 | | Terminal Strip | 45-23591-01 | 45-23591-01 | 45-23591-01 |
| 40 | Stk | Transformer | 46-100836-01 | 46-100836-01 | 46-100836-01 |
| 41 | Stk | Blower Time Delay | 47-23433-05 | 47-23433-05 | 47-23433-05 |
| 42 | Stk | Relay | 42-101208-01 | 42-101208-01 | 42-101208-01 |
| 44 | Stk | Capacitor - Blower Motor | See Blower Group | | |
| 45 | | Capacitor Strap - Blower Motor Capacitor | AE-50892-01 | AE-50892-01 | AE-50892-01 |
| 46 | Stk | Contactora | 42-42728-03 | 42-42728-03 | 42-42478-02 |
| 47 | | Capacitor Strap - Compressor/Fan | AE-50892-56 | AE-50892-56 | AE-50892-56 |
| 48 | Stk | Capacitor - Compressor/Fan | See Compressor Group | | |

| No. | Notes | MODEL COOLING CAPACITY VARIATION | MAH 24 A-1K | MAH 30 A-1K | MAH 36 A-1K |
|------------------|-------|--|----------------------|-------------------|-------------------|
| FAN GROUP | | | | | |
| 26 | Stk | Fan Motor | 51-100998-24 | 51-100998-24 | 51-100998-24 |
| 27 | Stk | Fan Blade | 70-100580-08 | 70-100580-08 | 70-100580-08 |
| 48 | | Capacitor - Fan Motor | See Compressor Group | | |

| No. | Notes | MODEL COOLING CAPACITY VARIATION | MAH 42 A-1K | MAH 48 A-1K | MAH 60 A-1K |
|------------------|-------|--|----------------------|-------------------|-------------------|
| FAN GROUP | | | | | |
| 26 | Stk | Fan Motor | 51-100998-24 | 51-100998-25 | 51-100998-25 |
| 27 | Stk | Fan Blade | 70-100580-08 | 70-100580-09 | 70-100580-09 |
| 48 | | Capacitor - Fan Motor | See Compressor Group | | |

| No. | Notes | MODEL COOLING CAPACITY VARIATION | MAH 24 A-1K | MAH 30 A-1K | MAH 36 A-1K |
|---------------------|-------|--|-------------------|-------------------|-------------------|
| BLOWER GROUP | | | | | |
| | Stk | Blower Assembly | AS-100841-01 | AS-100841-02 | AS-100841-03 |
| 51 | | Blower Housing w/Wheel | 70-100840-01 | 70-100840-01 | 70-100840-01 |
| | Stk | Blower Wheel | 703017 | 703017 | 703017 |
| 52 | | Motor Band | 70-19927-03 | 70-19927-03 | 70-19927-03 |
| 53 | | Blower Arm Assembly (3) | 70-19929-09 | 70-19929-09 | 70-19929-09 |
| 54 | Stk | Blower Motor | 51-100837-01 | 51-100837-02 | 51-100837-03 |
| 44 | Stk | Capacitor - Blower Motor | 43-100497-09 | 43-100497-10 | 43-100497-46 |

| No. | Notes | MODEL COOLING CAPACITY VARIATION | MAH 42 A-1K | MAH 48 A-1K | MAH 60 A-1K |
|---------------------|-------|--|-------------------|-------------------|-------------------|
| BLOWER GROUP | | | | | |
| | Stk | Blower Assembly | AS-100841-04 | AS-100841-05 | AS-100841-06 |
| 51 | | Blower Housing w/Wheel | 70-100840-02 | 70-100840-02 | 70-100840-02 |
| | Stk | Blower Wheel | 703016 | 703016 | 703016 |
| 52 | | Motor Band | 70-19927-03 | 70-19927-03 | 70-19927-03 |
| 53 | | Blower Arm Assembly (3) | 70-19929-09 | 70-19929-09 | 70-19929-09 |
| 54 | Stk | Blower Motor | 51-100837-04 | 51-100837-05 | 51-100837-06 |
| 44 | Stk | Capacitor - Blower Motor | 43-100497-42 | 43-100497-42 | 43-100497-49 |

| No. | Notes | MODEL TECHNICAL VARIATION COOLING CAPACITY | MAH 24 A-1K | MAH 30 A-1K | MAH 36 A-1K |
|-----------------------------|-------|--|----------------------------|-------------------|-------------------|
| COIL GROUP | | | | | |
| CONDENSER COIL: | | | | | |
| 32 | Stk | Condenser Coil (Outdoor Coil) | AS-100793-05 | AS-100793-05 | AS-100793-07 |
| EVAPORATOR COIL: | | | | | |
| 33 | Stk | Evaporator Coil (Indoor Coil) | AS-100792-06 | AS-100792-07 | AS-100792-08 |
| 7 | | Drain Pan - Evaporator Coil | See Panels - Miscellaneous | | |
| 34 | | Bulb Strainer | 83-26020-02 | 83-26020-02 | 83-26020-02 |
| 35 | Stk | TXV | 61-101351-01 | 61-101351-02 | 61-101351-03 |
| | | TXV Bulb Strap Kit | 64-101357-01 | 64-101357-01 | 64-101357-01 |
| 36 | | Draintrap Assembly | 68-100846-01 | 68-100846-01 | 68-100846-01 |
| REFRIGERATION GROUP: | | | | | |
| 50 | | Gaugeport Manifold - Valve Body (2) | 61-22369-04 | 61-22369-04 | 61-22369-04 |
| 50 | | Gaugeport Manifold - Valve Core (2) | 61-18551-01 | 61-18551-01 | 61-18551-01 |

| No. | Notes | MODEL TECHNICAL VARIATION COOLING CAPACITY | MAH 42 A-1K | MAH 48 A-1K | MAH 60 A-1K |
|-----------------------------|-------|--|----------------------------|-------------------|-------------------|
| COIL GROUP | | | | | |
| CONDENSER COIL: | | | | | |
| 32 | Stk | Condenser Coil (Outdoor Coil) | AS-100793-07 | AS-100793-08 | AS-100793-09 |
| EVAPORATOR COIL: | | | | | |
| 33 | Stk | Evaporator Coil (Indoor Coil) | AS-100792-09 | AS-100792-12 | AS-100792-13 |
| 7 | | Drain Pan - Evaporator Coil | See Panels - Miscellaneous | | |
| 34 | | Bulb Strainer | 83-26020-02 | 83-26020-02 | 83-26020-02 |
| 35 | Stk | TXV | 61-101351-04 | 61-101351-07 | 61-101351-06 |
| | | TXV Bulb Strap Kit | 64-101357-01 | 64-101357-01 | 64-101357-01 |
| 36 | | Draintrap Assembly | 68-100846-01 | 68-100846-01 | 68-100846-01 |
| REFRIGERATION GROUP: | | | | | |
| 50 | | Gaugeport Manifold - Valve Body (2) | 61-22369-04 | 61-22369-04 | 61-22369-04 |
| 50 | | Gaugeport Manifold - Valve Core (2) | 61-18551-01 | 61-18551-01 | 61-18551-01 |

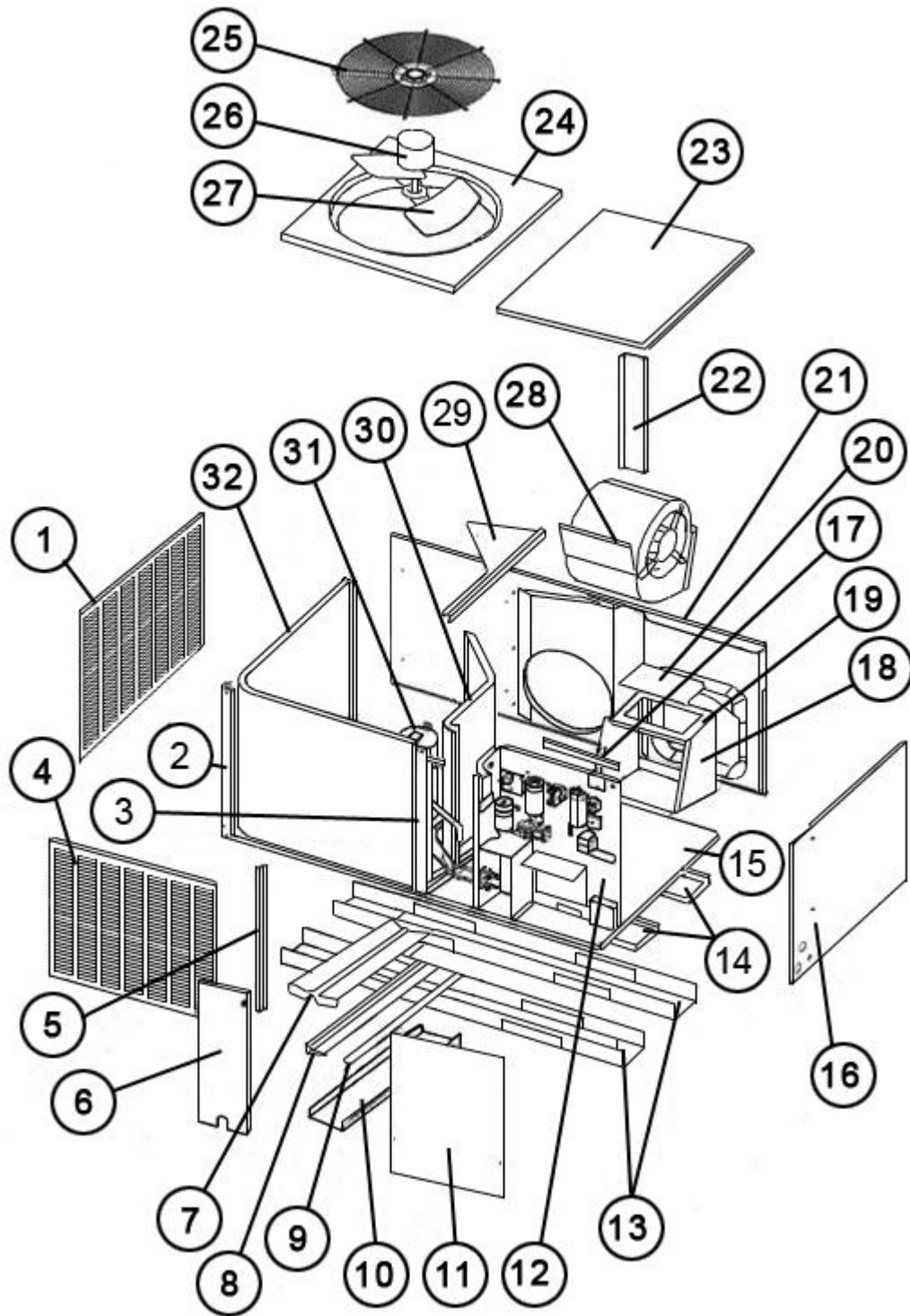
| No. | Notes | MODEL TECHNICAL VARIATION COOLING CAPACITY | MAH 24 A-1K | MAH 30 A-1K | MAH 36 A-1K |
|-------------------------|-------|--|-------------------|-------------------|-------------------|
| COMPRESSOR GROUP | | | | | |
| | | Compressor ID: | 7208 | 7210 | 7212 |
| 31 | Stk | Compressor | 55-100835-07S | 55-100835-17S | 55-100835-14S |
| 48 | Stk | Run Capacitor - Fan/Compressor | 43-101665-44 | 43-26271-41 | 43-26271-41 |
| 55 | Stk | Compressor Wiring Harness (Molded Plug) | 45-100834-80 | 45-100834-80 | 45-100834-80 |

| No. | Notes | MODEL TECHNICAL VARIATION COOLING CAPACITY | MAH 42 A-1K | MAH 48 A-1K | MAH 60 A-1K |
|-------------------------|-------|--|-------------------|-------------------|-------------------|
| COMPRESSOR GROUP | | | | | |
| | | Compressor ID: | 7213 | 7214 | 7215 |
| 31 | Stk | Compressor | 55-100835-15S | 55-100835-04S | 55-100835-18S |
| 48 | Stk | Run Capacitor - Fan/Compressor | 43-26261-15 | 43-26271-38 | 43-26271-30 |
| 55 | Stk | Compressor Wiring Harness (Molded Plug) | 45-100834-80 | 45-100834-80 | 45-100834-80 |

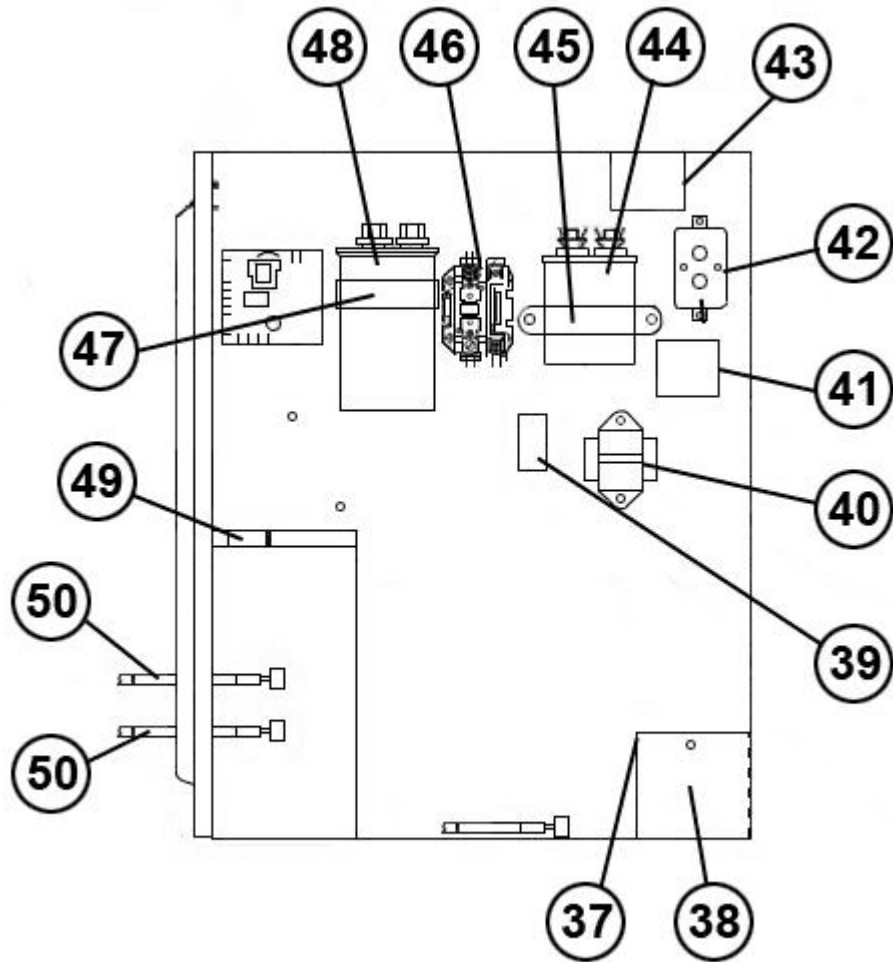
| No. | Notes | MODEL TECHNICAL VARIATION COOLING CAPACITY | MAH 24 A-1K | MAH 30 A-1K | MAH 36 A-1K |
|--------------------|-------|--|-------------------|-------------------|-------------------|
| HEATER KITS | | | | | |
| | | Heater Kit (5 kW) | RXQJ-C05J | RXQJ-C05J | RXQJ-C05J |
| | | Heater Kit (7 kW) | RXQJ-C07J | RXQJ-C07J | RXQJ-C07J |
| | | Heater Kit (10 kW) | RXQJ-C10J | RXQJ-C10J | RXQJ-C10J |
| | | Heater Kit (15 kW) | N/A | RXQJ-C15J | RXQJ-C15J |
| | | Heater Kit (20 kW) | N/A | N/A | N/A |

| No. | Notes | MODEL TECHNICAL VARIATION COOLING CAPACITY | MAH 42 A-1K | MAH 48 A-1K | MAH 60 A-1K |
|--------------------|-------|--|-------------------|-------------------|-------------------|
| HEATER KITS | | | | | |
| | | Heater Kit (5 kW) | RXQJ-C05J | RXQJ-C05J | RXQJ-C05J |
| | | Heater Kit (7 kW) | RXQJ-C07J | RXQJ-C07J | RXQJ-C07J |
| | | Heater Kit (10 kW) | RXQJ-C10J | RXQJ-C10J | RXQJ-C10J |
| | | Heater Kit (15 kW) | RXQJ-C15J | RXQJ-C15J | RXQJ-C15J |
| | | Heater Kit (20 kW) | RXQJ-C20J | RXQJ-C20J | RXQJ-C20J |

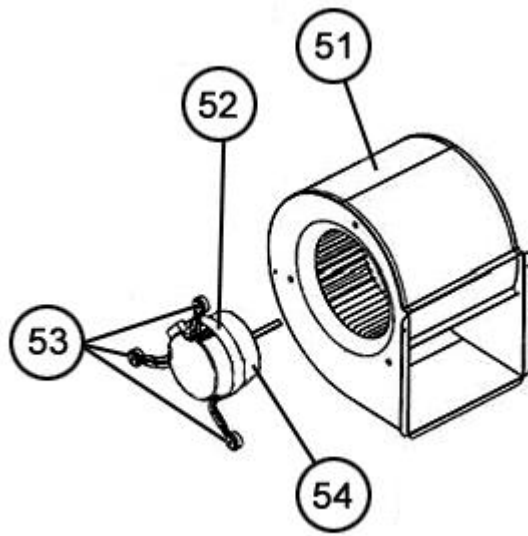
| No. | Notes | MODEL TECHNICAL VARIATION COOLING CAPACITY | MAH ALL ALL | | |
|---------------------|-------|--|-------------------|--|--|
| AACCESSORIES | | | | | |
| | | Outdoor Thermostat | RXPT-A01 | | |



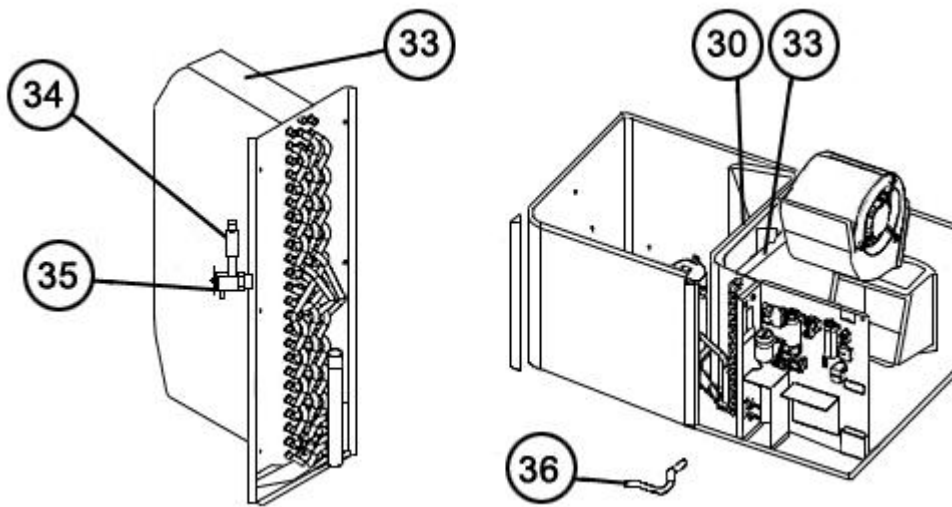
Exploded View



Control Panel



Blower Assembly



Coil Assembly

NOTES

Stk It is recommended that stock be maintained for this part.
N/A Not Applicable