

This Owner's Manual is provided and hosted by [Appliance Factory Parts](#).



# COMFORT-AIRE GMUH75E-3A Owner's Manual

[Shop genuine replacement parts for COMFORT-AIRE  
GMUH75E-3A](#)



[Find Your COMFORT-AIRE HVAC Parts - Select From 1487 Models](#)

----- Manual continues below part list -----

## Available Replacement Parts for COMFORT-AIRE GMUH75E-3A

<a href="#">47-22860-01</a>	LIMIT
<a href="#">47-25349-01</a>	LIMIT

HEAT CONTROLLER, INC.

**GMUH**

Parts List  
22-July-2011



*This parts list is current as of the above revision date.*

Form Number: 92-42810-GMUH

# Table of Contents

Model Explanation .....	Page 3
Parts Numbers	
Panels - Miscellaneous.....	Page 4
Electrical Group.....	Page 5
Blower Group .....	Page 6
Heat Exchanger-Burner Group .....	Page 7
Gas Controls.....	Page 8
Orifice Selection Chart .....	Page 9
Drawings/Photographs	
Exploded View .....	Page 10
Blower Assembly.....	Page 11
Burner Assembly.....	Page 12
Notes .....	Page 13

**MODEL NUMBER EXPLANATION**

<b>G</b>	<b>M</b>	<b>U</b>	<b>H</b>	<b>-</b>	<b>5</b>	<b>0</b>	<b>E</b>	<b>3</b>	<b>A</b>
<b>1</b>	<b>2</b>	<b>3</b>	<b>4</b>			<b>5</b>		<b>6</b>	<b>7</b>

- (1) **GAS**
- (2) **80% EFFICIENCY**
- (3) **UPFLOW/HORIZONTAL NON-CONDENSING**
- (4) **PLACEHOLDER**
- (5) **HEATING INPUT DESIGNATION**  
 50 = 50,000 BTU/HR  
 75 = 75,000 BTU/HR            E = Electric  
 100 = 100,000 BTU/HR        N = NOX  
 125 = 125,000 BTU/HR  
 150 = 150,000 BTU/HR
- (6) **DRIVE NOMINAL COOLING/REVISION LEVEL**  
 3 = 3 Ton  
 4 = 4 Ton  
 5 = 5 Ton
- (7) **REVISION LEVEL**

**SERIAL NUMBER EXPLANATION**

<b>G</b>	<b>K</b>	<b>5</b>	<b>D</b>	<b>7</b>	<b>0</b>	<b>7</b>	<b>F</b>	<b>3</b>	<b>1</b>	<b>0</b>	<b>6</b>	<b>9</b>	<b>9</b>	<b>9</b>	<b>9</b>
<b>1</b>		<b>2</b>	<b>3</b>	<b>4</b>	<b>5</b>	<b>6</b>	<b>7</b>		<b>8</b>		<b>9</b>				<b>10</b>

- |          |                                 |           |                          |
|----------|---------------------------------|-----------|--------------------------|
| <b>1</b> | <b>GAS CODE</b>                 | <b>6</b>  | <b>MOTOR HORSEPOWER</b>  |
| <b>2</b> | <b>LIMIT CONTROL</b>            | <b>7</b>  | <b>PLANT</b>             |
| <b>3</b> | <b>BLOWER</b>                   | <b>8</b>  | <b>WEEK</b>              |
| <b>4</b> | <b>HEATING ELEMENT</b>          | <b>9</b>  | <b>YEAR</b>              |
| <b>5</b> | <b>SPECIAL AREA REQUIREMENT</b> | <b>10</b> | <b>PRODUCTION NUMBER</b> |

No.	Notes	MODEL HEATING INPUT VARIATIONS	GMUH 50E 3A	GMUH 75E 3A	GMUH 75E 4A	GMUH 100E 3A
<b>PANELS, SHEET METAL, MISCELLANEOUS</b>						
1		Plug Button (2)	45-22980-01	45-22980-01	45-22980-01	45-22980-01
		Sight Glass	68-21893-03	68-21893-03	68-21893-03	68-21893-03
2		Burner Compartment Door	AE-101096-08	AE-101097-08	AE-101097-08	AE-101097-08
3		Blower/Filter Door	AS-67893-10	AS-67894-10	AS-67894-10	AS-67894-10
		Thumbscrew and Insert Kit	64-24081-81	64-24081-81	64-24081-81	64-24081-81
4		Door Switch - Push Button	42-22692-01	42-22692-01	42-22692-01	42-22692-01
5		Junction Box	AE-61475-02	AE-61475-02	AE-61475-02	AE-61475-02
6		Junction Box Cover	AE-61476-02	AE-61476-02	AE-61476-02	AE-61476-02
7		Induced Draft Blower	See Electrical Group			
8		Blower Assembly	See Blower Group			
9		Jacket	AS-61690-17	AS-61690-18	AS-61690-18	AS-61690-18
10		Heat Exchanger Bracket	See Heat Exchanger Group			
11		Heat Exchanger	See Heat Exchanger Group			
12		Top Plate	AE-101508-01	AE-101508-02	AE-101508-02	AE-101508-02
13		Limit - Main Limit (Heat Exchanger Panel)	See Electrical Group			
14		Silicone Rubber Tubing (Pressure Switch)	AE-61737-27	AE-61737-27	AE-61737-27	AE-61737-27
15		Pressure Switch	See Electrical Group			
24		Control Mounting Plate	AE-67877-01	AE-67877-01	AE-67877-01	AE-67877-01
26		Burner Cover Plate	See Heat Exchanger Group			
		Rear Baffle	AE-61666-01	AE-61607-01	AE-61607-01	AE-61607-01
		Side Baffle (2)	AE-61606-01	AE-61606-01	AE-61606-01	AE-100548-01
		Touch-up Paint - Platinum (Aerosol)	523012	523012	523012	523012
		Touch-up Paint - Platinum (Paint Pens)	523013	523013	523013	523013
		Touch-up Paint - Gray (Aerosol)	523014	523014	523014	523014
		Touch-up Paint - Gray (Paint Pens)	523015	523015	523015	523015

No.	Notes	MODEL HEATING INPUT VARIATIONS	GMUH 100E 5A	GMUH 125E 5A	GMUH 150E 5A	
<b>PANELS, SHEET METAL, MISCELLANEOUS</b>						
1		Plug Button (2)	45-22980-01	45-22980-01	45-22980-01	
		Sight Glass	68-21893-03	68-21893-03	68-21893-03	
2		Burner Compartment Door	AE-101098-08	AE-101099-08	AE-101099-08	
3		Blower/Filter Door	AS-67895-10	AS-67896-10	AS-67896-10	
		Thumbscrew and Insert Kit	64-24081-81	64-24081-81	64-24081-81	
4		Door Switch - Push Button	42-22692-01	42-22692-01	42-22692-01	
5		Junction Box	AE-61475-02	AE-61475-02	AE-61475-02	
6		Junction Box Cover	AE-61476-02	AE-61476-02	AE-61476-02	
7		Induced Draft Blower	See Electrical Group			
8		Blower Assembly	See Blower Group			
9		Jacket	AS-61690-20	AS-61690-26	AS-61690-26	
10		Heat Exchanger Bracket	See Heat Exchanger Group			
11		Heat Exchanger	See Heat Exchanger Group			
12		Top Plate	AE-101508-03	AE-101508-04	AE-101508-04	
13		Limit - Main Limit (Heat Exchanger Panel)	See Electrical Group			
14		Silicone Rubber Tubing (Pressure Switch)	AE-61737-03	AE-61737-23	AE-61737-23	
15		Pressure Switch	See Electrical Group			
24		Control Mounting Plate	AE-67877-01	AE-67877-01	AE-67877-01	
26		Burner Cover Plate	See Heat Exchanger Group			
		Rear Baffle	AE-61667-01	AE-61670-01	AE-61669-01	
		Side Baffle (2)	AE-61668-01	AE-61665-01	N/A	
		Touch-up Paint - Platinum (Aerosol)	523012	523012	523012	
		Touch-up Paint - Platinum (Paint Pens)	523013	523013	523013	
		Touch-up Paint - Gray (Aerosol)	523014	523014	523014	
		Touch-up Paint - Gray (Paint Pens)	523015	523015	523015	

No.	Notes	MODEL HEATING INPUT VARIATIONS	GMUH 50E 3A	GMUH 75E 3A	GMUH 75E 4A	GMUH 100E 3A
<b>ELECTRIC GROUP</b>						
7	Stk	Induced Draft Blower w/Gasket	70-101087-01	70-101087-01	70-101087-01	70-101087-01
13	Stk	Limit - Main Limit (Heat Exchanger Panel)	47-25349-11	47-25349-01	47-25349-03	47-25349-01
15	Stk	Pressure Switch	42-101082-01	42-101082-01	42-101082-01	42-101082-01
17	Stk	Limit - Manual Reset (Burner Compartment)	47-22861-03 (1)	47-22861-03 (2)	47-22861-03 (2)	47-22861-03 (2)
23	Stk	Limit - Heat Assisted (Blower Housing)	47-22860-01	47-22860-01	47-22860-01	47-22860-03
25		Integrated Furnace Control Board (IFC)	See Gas Controls			
28	Stk	Transformer	46-24124-03	46-24124-03	46-24124-03	46-24124-03
		Wiring Harness - 4 pin to 2 insulated terminals, 2 wires	45-24371-19	45-24371-19	45-24371-19	45-24371-19
		Wiring Harness - 4 pin to 2 pin, 2 wires	45-24371-09	45-24371-09	45-24371-09	45-24371-09
		Wiring Harness - 9 pin to 9 pin, 9 wires	45-24371-04	45-24371-04	45-24371-04	45-24371-04
		Wiring Harness - 9 pin to 8 terminals (5 insulated/1 straight/2 flag), 8 wires	45-24371-13	45-24371-13	45-24371-13	45-24371-13

No.	Notes	MODEL HEATING INPUT VARIATIONS	GMUH 100E 5A	GMUH 125E 5A	GMUH 150E 5A
<b>ELECTRIC GROUP</b>					
7	Stk	Induced Draft Blower w/Gasket	70-101087-01	70-101087-01	70-101087-01
13	Stk	Limit - Main Limit (Heat Exchanger Panel)	47-25349-03	47-25349-03	47-25349-03
15	Stk	Pressure Switch	42-101082-01	42-101082-01	42-101082-01
17	Stk	Limit - Manual Reset (Burner Compartment)	47-22861-03 (2)	47-22861-03 (2)	47-22861-03 (2)
23	Stk	Limit - Heat Assisted (Blower Housing)	47-22860-01	47-22860-03	47-22860-04
25		Integrated Furnace Control Board (IFC)	See Gas Controls		
28	Stk	Transformer	46-24124-03	46-24124-03	46-24124-03
		Wiring Harness - 4 pin to 2 insulated terminals, 2 wires	45-24371-19	45-24371-19	45-24371-19
		Wiring Harness - 4 pin to 2 pin, 2 wires	45-24371-09	45-24371-09	45-24371-09
		Wiring Harness - 9 pin to 9 pin, 9 wires	45-24371-04	45-24371-04	45-24371-04
		Wiring Harness - 9 pin to 8 terminals (5 insulated/1 straight/2 flag), 8 wires	45-24371-13	45-24371-13	45-24371-13

No.	Notes	MODEL HEATING INPUT VARIATIONS	GMUH 50E 3A	GMUH 75E 3A	GMUH 75E 4A	GMUH 100E 3A
<b>BLOWER GROUP</b>						
8	Stk	Blower Assembly (Includes items 18-22)	AS-61697-47	AS-61697-80	AS-61697-66	AS-61697-80
18	Stk	Blower Wheel	70-22683-01	70-22688-01	70-23111-05	70-22688-01
19		Housing	AS-61674-20	AS-61674-21	AS-61674-21	AS-61674-21
20	Stk	Blower Motor	51-22873-01	51-22858-01	51-24272-01	51-22858-01
21		Motor Mount (4)	AE-61698-02	AE-61698-02	AE-61698-02	AE-61698-02
22	Stk	Capacitor - Blower Motor	43-100509-42	43-100509-42	43-100509-43	43-100509-42

No.	Notes	MODEL HEATING INPUT VARIATIONS	GMUH 100E 5A	GMUH 125E 5A	GMUH 150E 5A	
<b>BLOWER GROUP</b>						
8	Stk	Blower Assembly (Includes items 18-22)	AS-61697-74	AS-61697-74	AS-61697-74	
18	Stk	Blower Wheel	70-20602-01	70-20602-01	70-20602-01	
19		Housing	AS-61674-22	AS-61674-22	AS-61674-22	
20	Stk	Blower Motor	51-25327-01	51-25327-01	51-25327-01	
21		Motor Mount (4)	AE-61698-02	AE-61698-02	AE-61698-02	
22	Stk	Capacitor - Blower Motor	43-100509-43	43-100509-43	43-100509-43	

No.	Notes	MODEL HEATING INPUT VARIATIONS	GMUH 50E 3A	GMUH 75E 3A	GMUH 75E 4A	
<b>HEAT EXCHANGER, BURNER / MANIFOLD GROUP</b>						
10		Heat Exchanger Bracket (2) - before F2608	AE-67846-02	AE-67846-02	AE-67846-02	
		Heat Exchanger Bracket (Left Side) - after F2608	AE-102680-01	AE-67846-02	AE-67846-02	
		Heat Exchanger Bracket (Right Side) - after F2608	AE-102680-02	AE-67846-02	AE-67846-02	
11	Stk	Heat Exchanger Assembly	AS-61579-09	AS-100560-01	AS-100560-01	
26		Burner Cover Plate	AE-101080-01	AE-101080-02	AE-101080-02	
29		NOX Insert Assembly	N/A	N/A	N/A	
30		Burner Support Bracket (2)	AE-61588-02	AE-61588-02	AE-61588-02	
31	Stk	Manifold (w/o Orifices)	81-102427-01	81-102427-02	81-102427-02	
32	Stk	Burner Assembly	AS-60993-02	AS-60993-03	AS-60993-03	
34		NOX Insert Retainer	N/A	N/A	N/A	
38		Burner Support	AE-60997-01	AE-60997-02	AE-60997-02	
		Burner Orifice - Natural Gas	See Orifice Selection Chart			
		Burner Orifice - LP	See Orifice Selection Chart			
		Number of Orifices	(2)	(3)	(3)	

No.	Notes	MODEL HEATING INPUT VARIATIONS	GMUH 100E 3A	GMUH 100E 5A	GMUH 125E 5A	GMUH 150E 5A
<b>HEAT EXCHANGER, BURNER / MANIFOLD GROUP</b>						
10		Heat Exchanger Bracket (2)	AE-67846-02	AE-67846-02	AE-67846-02	AE-67846-02
11	Stk	Heat Exchanger Assembly	AS-61579-07	AS-61579-04	AS-61579-05	AS-61579-06
26		Burner Cover Plate	AE-101080-03	AE-101080-03	AE-101080-04	AE-101080-05
29		NOX Insert Assembly	N/A	N/A	N/A	N/A
30		Burner Support Bracket (2)	AE-61588-02	AE-61588-02	AE-61588-02	AE-61588-02
31	Stk	Manifold (w/o Orifices)	81-102427-03	81-102427-03	81-102427-04	81-102427-05
32	Stk	Burner Assembly	AS-60993-04	AS-60993-04	AS-60993-05	AS-60993-06
34		NOX Insert Retainer	N/A	N/A	N/A	N/A
38		Burner Support	AE-60997-03	AE-60997-03	AE-60997-04	AE-60997-05
		Burner Orifice - Natural Gas	See Orifice Selection Chart			
		Burner Orifice - LP	See Orifice Selection Chart			
		Number of Orifices	(4)	(4)	(5)	(6)

No.	Notes	MODEL GAS CODE	GMUH GH	GMUH GJ	GMUH GK
<b>GAS CONTROLS</b>					
25	Stk	Integrated Furnace Control Board (IFC)	62-25338-01	62-25338-01	62-25338-01
33	Stk	Gas Valve - Natural Gas	60-100394-01	60-24180-01	60-22866-01
33	Stk,1	Gas Valve - LP	See Note 1	See Note 1	See Note 1
35	Stk	Ignitor	62-24164-01	62-24164-01	62-24164-01
36		Ignitor Bracket	AE-61885-02	AE-61885-02	AE-61885-02
37	Stk	Flame Sensor	62-23543-01	62-23543-01	62-23543-01
	Stk	LP Conversion Kit	FP-15	FP-15	FP-15

**80% GAS FURNACE - ORIFICE SELECTION CHART - NATURAL GAS**

**CAUTION:** Selection of the correct Natural Gas Orifice requires the following information for the specific installation:

- 1) Altitude in of the installation (ft.).
- 2) Average energy content of the Natural Gas fuel from the local supplier (BTU/cu. ft.).

For detailed information and instructions for Orifice selection, see the Gas Furnace LP Conversion Kit Index 92-21519-59 and the latest edition of the National Fuel Gas Code Handbook, or the National Standard of Canada, Natural Gas and Propane Installation Code, CAN B149.1.

**CAUTION:** This information is provided for replacement purposes only. Conversion for operation at High Altitude must be done using the kit specified on the product specification sheet for the unit.

NOTE: This Orifice sizing chart is based on 25,000 BTU/HR per burner.

NOTE: Factory installed orifices are calculated and sized based on a Natural Gas heating value of 1075 BTU/cu. ft. and an elevation of 0 - 3000 ft.

Energy Value (BTU/cu. ft.)	Elevation (ft.)							
	0 - 1999	2000 - 2999	3000 - 3999	4000 - 4999	5000 - 5999	6000 - 6999	7000 - 7999	8000 - 8999
<b>850</b>	62-22175-38	62-22175-39	62-22175-40	62-22175-41	62-22175-41	62-22175-42	62-22175-42	62-22175-43
<b>900</b>	62-22175-40	62-22175-41	62-22175-42	62-22175-42	62-22175-42	62-22175-43	62-22175-43	62-22175-44
<b>975</b>	62-22175-41	62-22175-42	62-22175-42	62-22175-42	62-22175-43	62-22175-43	62-22175-44	62-22175-44
<b>1075</b>	62-22175-42	62-22175-42	62-22175-43	62-22175-43	62-22175-43	62-22175-44	62-22175-44	62-22175-45
<b>1170</b>	62-22175-43	62-22175-44	62-22175-44	62-22175-44	62-22175-45	62-22175-45	62-22175-46	62-22175-47

**80% GAS FURNACE - ORIFICE SELECTION CHART - LP**

**CAUTION:** Selection of the correct LP Orifice requires the altitude of the specific installation (ft.).

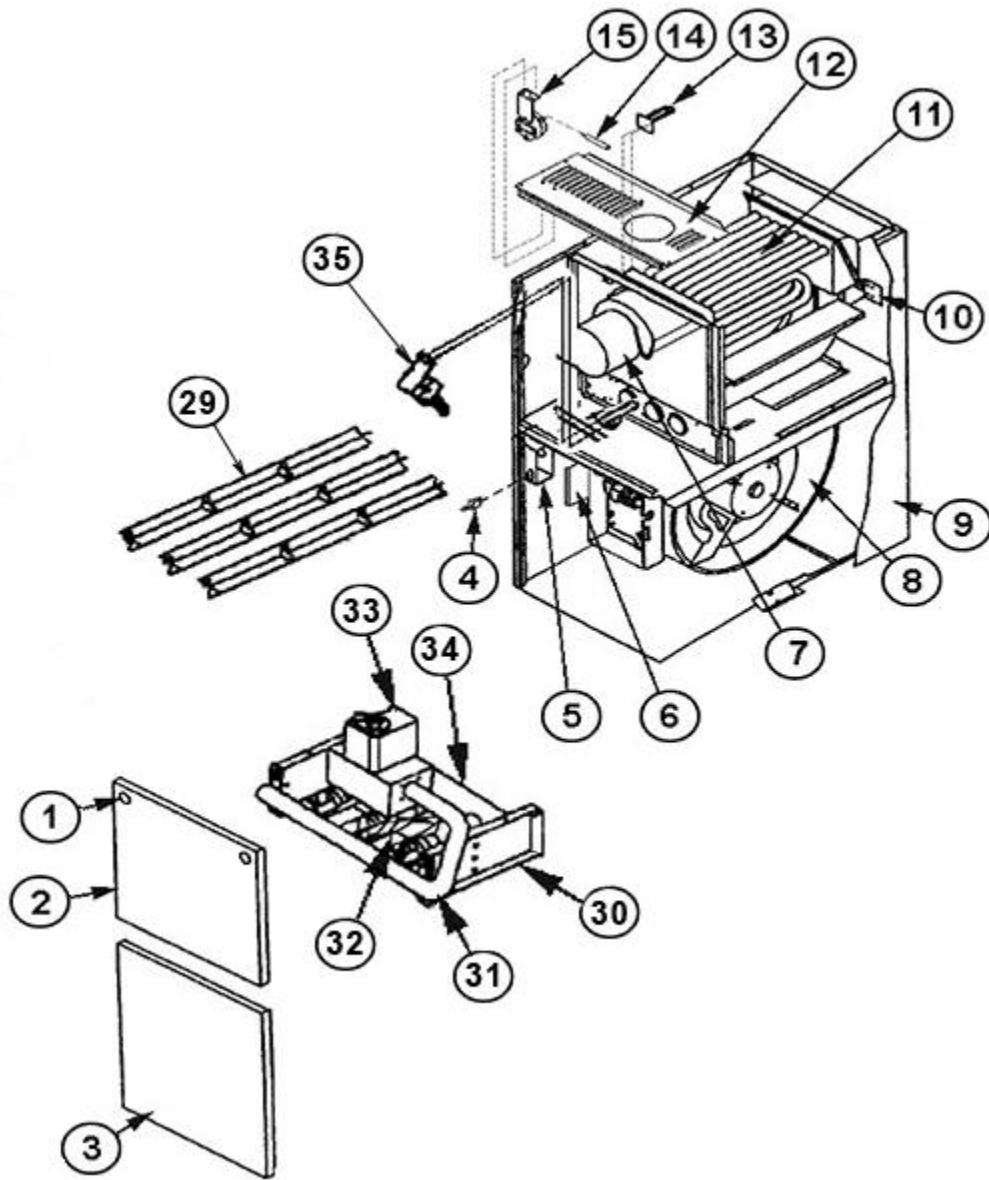
For detailed information and instructions for Orifice selection, see the Gas Furnace LP Conversion Kit Index 92-21519-59 and the latest edition of the National Fuel Gas Code Handbook (NFG), or the National Standard of Canada, Natural Gas and Propane Installation Code, CAN B149.1.

**CAUTION:** This information is provided for replacement purposes only. Conversion to LP or for operation at High Altitude should be done using the kit(s) specified on the product specification sheet for the unit.

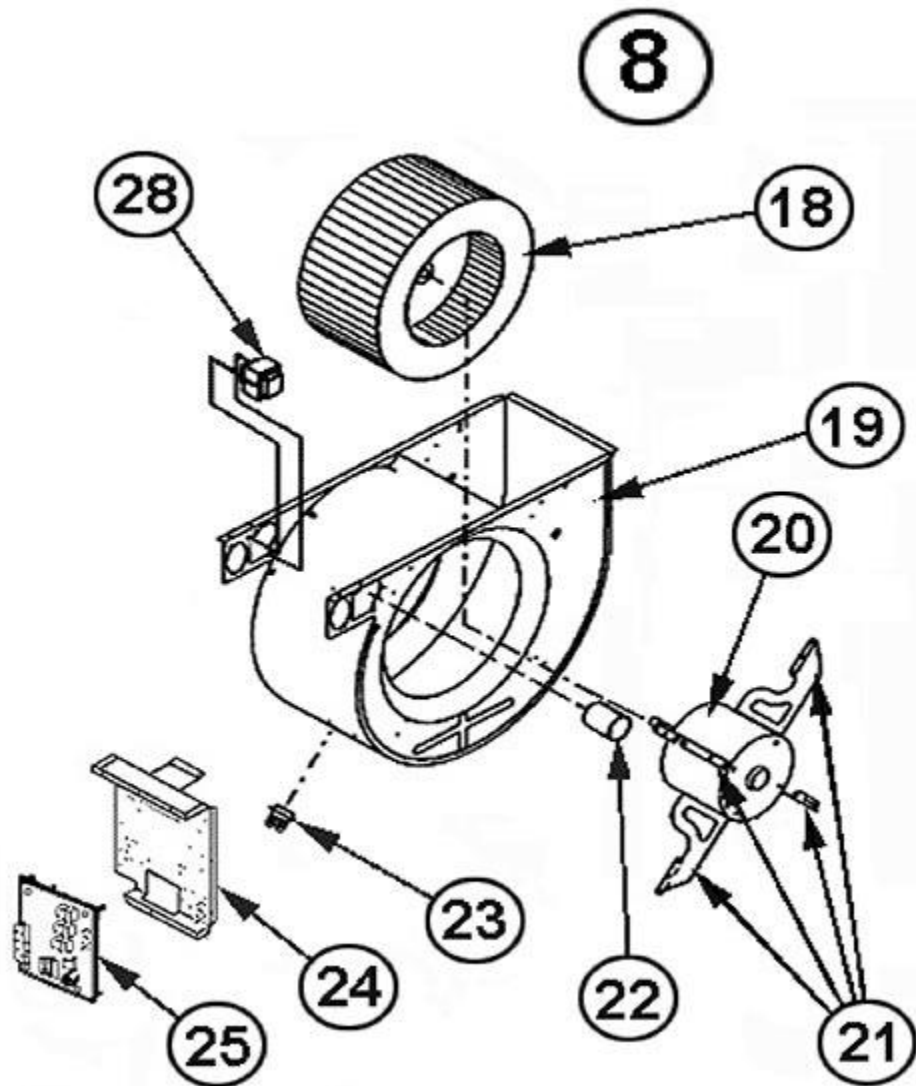
NOTE: This Orifice sizing chart is based on 25,000 BTU/HR per burner. Also, the chart is developed using the specified pressure setting of 10 in. water column instead of the 11.0 in water column used by the NFG and CANB149.1.

NOTE: Orifices supplied in the LP Conversion Kit are calculated and sized based on an altitude of 0 - 4000 ft.

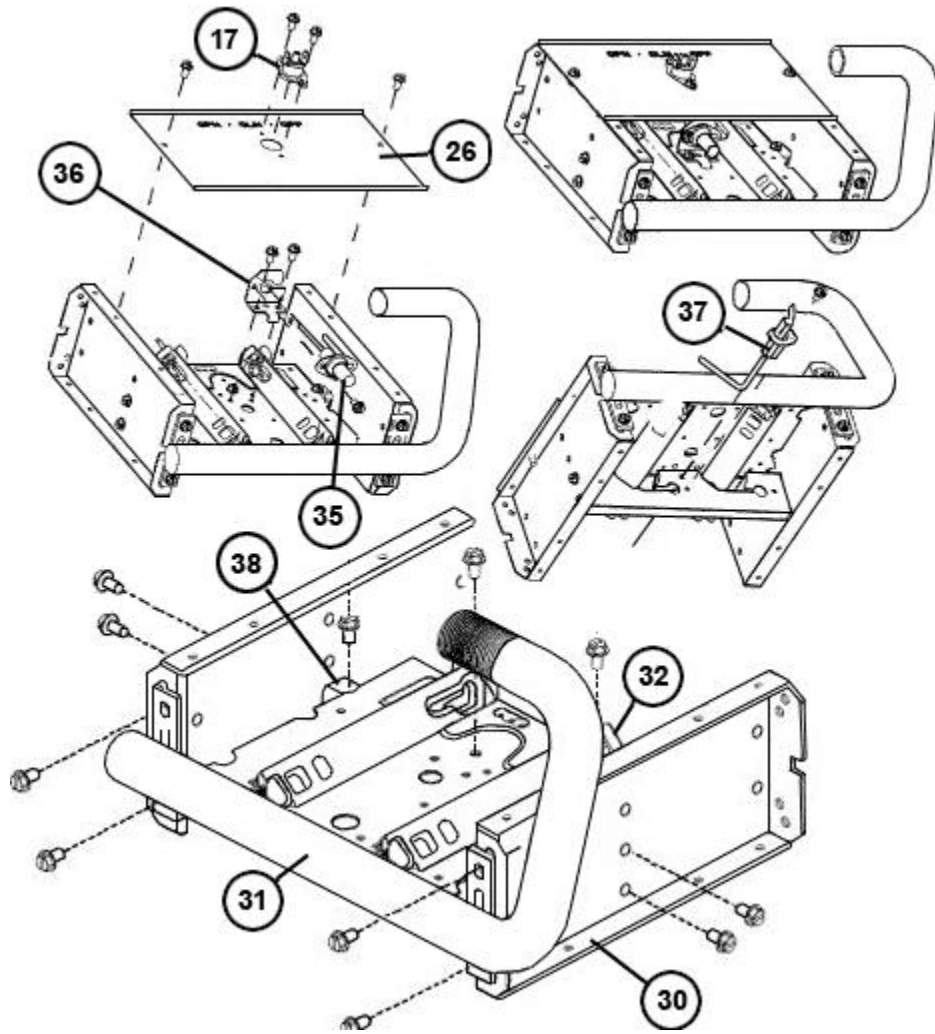
Elevation (ft.)	Orifice							
0 - 2000	62-22175-54							
2001 - 3000	62-22175-54							
3001 - 4000	62-22175-54							
4001 - 5000	62-22175-54							
5001 - 6000	62-22175-54							
6001 - 7000	62-22175-54							
7001 - 8000	62-22175-55							
8001 - 9000	62-22175-55							
9001 - 10000	62-22175-55							



Exploded View



Blower Assembly



Burner Assembly

# NOTES

- Stk It is recommended that stock be maintained for this part.  
N/A Not Applicable  
1 Order Gas Valve for Natural Gas along with LP Conversion Kit.