

HEAT CONTROLLER, INC.

# MPH

Parts List  
20-October-2011



*This parts list is current as of the above revision date.*

Form Number: 92-42810-MPH

# Table of Contents

Model Explanation .....	Page 3
Parts Numbers	
Panels - Miscellaneous 024-036 .....	Page 4
Panels - Miscellaneous 042-060 .....	Page 5
Electrical Group .....	Page 6
Fan Group .....	Page 7
Blower Group .....	Page 7
Coil Parts .....	Page 8
Compressor Group .....	Page 8
Heater Kits .....	Page 9
Accessories .....	Page 9
Drawings/Photographs	
Exploded View .....	Page 10
Control Panel .....	Page 11
Blower Assembly .....	Page 12
Coil Assembly .....	Page 13
Compressor and Refrigeration Group .....	Page 14
Notes .....	Page 15

**MODEL NUMBER EXPLANATION**

<b>M</b>	<b>P</b>	<b>H</b>	<b>2</b>	<b>4</b>	<b>A</b>	<b>-</b>	<b>1</b>	<b>K</b>
1			2		3			

- (1) **SERIES**
- (2) **COOLING CAPACITY (BTU/HR)**  
 24= 24,000  
 30= 30,000  
 36= 36,000  
 42= 42,000  
 48= 48,000  
 60= 60,000
- (3) **VARIATION**

**SERIAL NUMBER EXPLANATION**

<b>7</b>	<b>0</b>	<b>9</b>	<b>2</b>	<b>M</b>	<b>0</b>	<b>7</b>	<b>0</b>	<b>1</b>	<b>9</b>	<b>9</b>	<b>9</b>	<b>9</b>	<b>9</b>
1				2	3		4	5					

- (1) **COMPRESSOR IDENTIFICATION NUMBER**
- (2) **PRODUCTION LOCATION**
- (3) **WEEK OF PRODUCTION**
- (4) **YEAR OF PRODUCTION**
- (5) **PRODUCTION NUMBER**

No.	Notes	MODEL COOLING CAPACITY VARIATION	MPH 24 A-1K	MPH 30 A-1K	MPH 36 A-1K
<b>PANELS, MISCELLANEOUS PARTS</b>					
1		Louver Panel	AE-100830-22	AE-100830-22	AE-100830-22
2		Corner Post	AE-100822-21	AE-100822-21	AE-100822-21
3		Front Post	AE-100821-21	AE-100821-21	AE-100821-21
4		Louver Panel	AE-100830-21	AE-100830-21	AE-100830-21
5		Insulation Retainer	AE-100831-02	AE-100831-02	AE-100831-02
6		Front Access Panel	AE-100823-21	AE-100823-21	AE-100823-21
7	Stk	Drainpan	68-100808-02	68-100808-02	68-100808-02
8		Air Stop - Drainpan	AE-100825-01	AE-100825-01	AE-100825-01
9		Air Stop - Drainpan	AE-100825-02	AE-100825-02	AE-100825-02
10		Drainpan Tray	AE-100809-01	AE-100809-01	AE-100809-01
11		Control Access Panel	AE-100824-21	AE-100824-21	AE-100824-21
12		Control Panel Assembly	AS-100807-01	AS-100807-01	AS-100807-01
13		Base Rail (2)	AE-100803-01	AE-100803-01	AE-100803-01
14		Base Rail (2)	AE-100803-02	AE-100803-02	AE-100803-02
15		Base Pan	AE-100804-01	AE-100804-01	AE-100804-01
16		Right Panel Assembly	AS-100820-21	AS-100820-21	AS-100820-21
17		Blower Support	AE-100818-02	AE-100818-02	AE-100818-02
		Insulation Retainer (2)	AE-100831-01	AE-100831-01	AE-100831-01
		Duct Ring - 14 in.	58-100850-01	58-100850-01	58-100850-01
18		Transition Bottom	AE-100815-01	AE-100815-01	AE-100815-01
19		Transition Top	AE-100815-02	AE-100815-02	AE-100815-02
20		Block Off Plate	AE-100816-01	AE-100816-01	AE-100816-01
21		Rear Panel Assembly	AS-100814-21	AS-100814-21	AS-100814-21
22		Rear Air Stop	AE-100810-01	AE-100810-01	AE-100810-01
23		Top Panel Assembly (Indoor)	AS-100828-21	AS-100828-21	AS-100828-21
24		Top Panel (Outdoor)	AE-100829-21	AE-100829-21	AE-100829-21
25		Grille	95-100906-07	95-100906-07	95-100906-07
28		Blower Support	AE-100818-01	AE-100818-01	AE-100818-01
29		Bulkhead Cap Assembly	AS-100826-21	AS-100826-21	AS-100826-21
30		Bulkhead Assembly	AS-100812-01	AS-100812-01	AS-100812-01
38		Low Voltage Mount	AE-100839-01	AE-100839-01	AE-100839-01
39		Low Voltage Cover	AE-100839-02	AE-100839-02	AE-100839-02
44		Heater Kit Delete Plate	AE-100842-01	AE-100842-01	AE-100842-01
51		Gaugeport Enclosure	AE-101352-01	AE-101352-01	AE-101352-01

No.	Notes	MODEL COOLING CAPACITY VARIATION	MPH 42 A-1K	MPH 48 A-1K	MPH 60 A-1K
<b>PANELS, MISCELLANEOUS PARTS</b>					
1		Louver Panel	AE-100830-24	AE-100830-24	AE-100830-24
2		Corner Post	AE-100822-22	AE-100822-22	AE-100822-22
3		Front Post	AE-100821-22	AE-100821-22	AE-100821-22
4		Louver Panel	AE-100830-23	AE-100830-23	AE-100830-23
5		Insulation Retainer	AE-100831-03	AE-100831-03	AE-100831-03
6		Front Access Panel	AE-100823-22	AE-100823-22	AE-100823-22
7	Stk	Drainpan	68-100808-02	68-100808-02	68-100808-02
8		Air Stop - Drainpan	AE-100825-01	AE-100825-01	AE-100825-01
9		Air Stop - Drainpan	AE-100825-02	AE-100825-02	AE-100825-02
10		Drainpan Tray	AE-100809-01	AE-100809-01	AE-100809-01
11		Control Access Panel	AE-100824-22	AE-100824-22	AE-100824-22
12		Control Panel Assembly	AS-100807-02	AS-100807-02	AS-100807-02
13		Base Rail (2)	AE-100803-01	AE-100803-01	AE-100803-01
14		Base Rail (2)	AE-100803-02	AE-100803-02	AE-100803-02
15		Base Pan	AE-100804-01	AE-100804-01	AE-100804-01
16		Right Panel Assembly	AS-100820-22	AS-100820-22	AS-100820-22
17		Blower Support	AE-100818-02	AE-100818-02	AE-100818-02
		Insulation Retainer (2)	AE-100831-01	AE-100831-01	AE-100831-01
		Duct Ring - 14 in.	58-100850-01	58-100850-01	58-100850-01
18		Transition Bottom	AE-100815-01	AE-100815-01	AE-100815-01
19		Transition Top	AE-100815-02	AE-100815-02	AE-100815-02
20		Block Off Plate	AE-100816-01	AE-100816-01	AE-100816-01
21		Rear Panel Assembly	AS-100814-22	AS-100814-22	AS-100814-22
22		Rear Air Stop	AE-100810-02	AE-100810-02	AE-100810-02
23		Top Panel Assembly (Indoor)	AS-100828-21	AS-100828-21	AS-100828-21
24		Top Panel (Outdoor)	AE-100829-21	AE-100829-21	AE-100829-21
25		Grille	95-100906-07	95-100906-07	95-100906-07
28		Blower Support	AE-100818-01	AE-100818-01	AE-100818-01
29		Bulkhead Cap Assembly	AS-100826-21	AS-100826-21	AS-100826-21
30		Bulkhead Assembly	AS-100812-02	AS-100812-02	AS-100812-02
38		Low Voltage Mount	AE-100839-01	AE-100839-01	AE-100839-01
39		Low Voltage Cover	AE-100839-02	AE-100839-02	AE-100839-02
44		Heater Kit Delete Plate	AE-100842-01	AE-100842-01	AE-100842-01
51		Gaugeport Enclosure	AE-101352-01	AE-101352-01	AE-101352-01

No.	Notes	MODEL COOLING CAPACITY VARIATION	MPH 24 A-1K	MPH 30 A-1K	MPH 36 A-1K
<b>ELECTRICAL GROUP</b>					
CONTROL BOX COMPONENTS:					
40		Terminal Strip	45-23591-01	45-23591-01	45-23591-01
41	Stk	Transformer	46-100836-01	46-100836-01	46-100836-01
42	Stk	Blower Time Delay	47-23433-05	47-23433-05	47-23433-05
43	Stk	Relay	42-101208-01	42-101208-01	42-101208-01
45	Stk	Capacitor - Blower Motor	See Blower Group		
46		Capacitor Strap - Blower Motor Capacitor	AE-50892-01	AE-50892-01	AE-50892-01
47	Stk	Contactora	42-42728-03	42-42728-03	42-42728-03
48	Stk	Capacitor - Compressor/Fan	See Compressor Group		
49		Capacitor Strap - Compressor	AE-50892-56	AE-50892-56	AE-50892-56
50	Stk	Defrost Control Board	47-21517-18	47-21517-18	47-21517-18

No.	Notes	MODEL COOLING CAPACITY VARIATION	MPH 42 A-1K	MPH 48 A-1K	MPH 60 A-1K
<b>ELECTRICAL GROUP</b>					
CONTROL BOX COMPONENTS:					
40		Terminal Strip	45-23591-01	45-23591-01	45-23591-01
41	Stk	Transformer	46-100836-01	46-100836-01	46-100836-01
42	Stk	Blower Time Delay	47-23433-05	47-23433-05	N/A
43	Stk	Relay	42-101208-01	42-101208-01	42-21571-08
45	Stk	Capacitor - Blower Motor	See Blower Group		
46		Capacitor Strap - Blower Motor Capacitor	AE-50892-01	AE-50892-01	N/A
47	Stk	Contactora	42-42728-03	42-42728-03	42-42478-02
48	Stk	Capacitor - Compressor/Fan	See Compressor Group		
49		Capacitor Strap - Compressor	AE-50892-56	AE-50892-56	AE-50892-56
50	Stk	Defrost Control Board	47-21517-18	47-21517-18	47-21517-18

No.	Notes	MODEL COOLING CAPACITY VARIATION	MPH	MPH	MPH	MPH	MPH	MPH	
			24 A-1K	30 A-1K	36 A-1K	42 A-1K	48 A-1K	60 A-1K	
<b>FAN GROUP</b>									
26	Stk	Fan Motor	51-100998-24	51-100998-24	51-100998-24	51-100998-25	51-100998-25	51-100998-25	
48		Capacitor - Fan Motor	See Compressor Group						
27	Stk	Fan Blade	70-100580-08	70-100580-08	70-100580-08	70-100580-09	70-100580-09	70-100580-09	

No.	Notes	MODEL COOLING CAPACITY VARIATION	MPH	MPH	MPH	MPH	MPH	MPH
			24 A-1K	30 A-1K	36 A-1K	42 A-1K	48 A-1K	60 A-1K
<b>BLOWER GROUP</b>								
	Stk	Blower Assembly	AS-100841-01	AS-100841-02	AS-100841-03	AS-100841-04	AS-100841-05	AS-100841-08
53		Blower Housing w/Wheel	70-100840-01	70-100840-01	70-100840-01	70-100840-02	70-100840-02	70-100840-02
	Stk	Blower Wheel	703017	703017	703017	703016	703016	703016
54		Motor Band	70-19927-03	70-19927-03	70-19927-03	70-19927-03	70-19927-03	70-19927-03
55		Blower Arm Assembly	70-19929-09	70-19929-09	70-19929-09	70-19929-09	70-19929-09	70-19929-09
56	Stk	Blower Motor	51-100837-01	51-100837-02	51-100837-03	51-100837-04	51-100837-05	51-101984-04
45	Stk	Capacitor - Blower Motor	43-100496-09	43-100496-39	43-100496-46	43-100496-42	43-100496-42	N/A

No.	Notes	MODEL COOLING CAPACITY VARIATION	MPH 24 A-1K	MPH 30 A-1K	MPH 36 A-1K	MPH 42 A-1K	MPH 48 A-1K	MPH 60 A-1K	
<b>COIL GROUP</b>									
<b>CONDENSER COIL:</b>									
32	Stk	Condenser Coil (Outdoor Coil)	AS-100793-12	AS-100793-13	AS-100793-10	AS-100793-11	AS-100793-11	AS-100793-04	
		Distributor Assembly	83-100844-01	83-100844-01	83-100844-02	83-100844-05	83-100844-05	83-100844-05	
<b>EVAPORATOR COIL:</b>									
33	Stk	Evaporator Coil (Indoor Coil)	AS-100792-01	AS-100792-01	AS-100792-02	AS-100792-04	AS-100792-04	AS-100792-05	
7		Drain Pan - Evaporator Coil	See Panels - Miscellaneous						
37	Stk	TXV	61-21922-103	61-21922-104	61-21922-105	61-21922-105	61-21922-106	61-21922-101	
		TXV Bulb Strap Kit	64-101357-01	64-101357-01	64-101357-01	64-101357-01	64-101357-01	64-101357-01	
34		Distributor Assembly	83-100844-01	83-100844-01	83-100844-02	83-100844-03	83-100844-03	83-100844-03	
35		Draintrap Assembly	68-100846-02	68-100846-02	68-100846-02	68-100846-02	68-100846-02	68-100846-02	
<b>REFRIGERATION GROUP:</b>									
36	Stk	Reversing Valve w/Coil	61-101684-02	61-101684-02	61-101684-02	61-101684-02	61-101684-03	61-101684-03	
	Stk	Solenoid Coil for Reversing Valve	61-101713-01	61-101713-01	61-101713-01	61-101713-01	61-101713-01	61-101713-01	
	Stk	Wiring Harness for Reversing Valve	61-26149-01	61-26149-01	61-26149-01	61-26149-01	61-26149-01	61-26149-01	
52		Gaugeport Manifold -Valve Body (2)	61-22369-04	61-22369-04	61-22369-04	61-22369-04	61-22369-04	61-22369-04	
52		Gaugeport Manifold -Valve Core (2)	61-18551-01	61-18551-01	61-18551-01	61-18551-01	61-18551-01	61-18551-01	

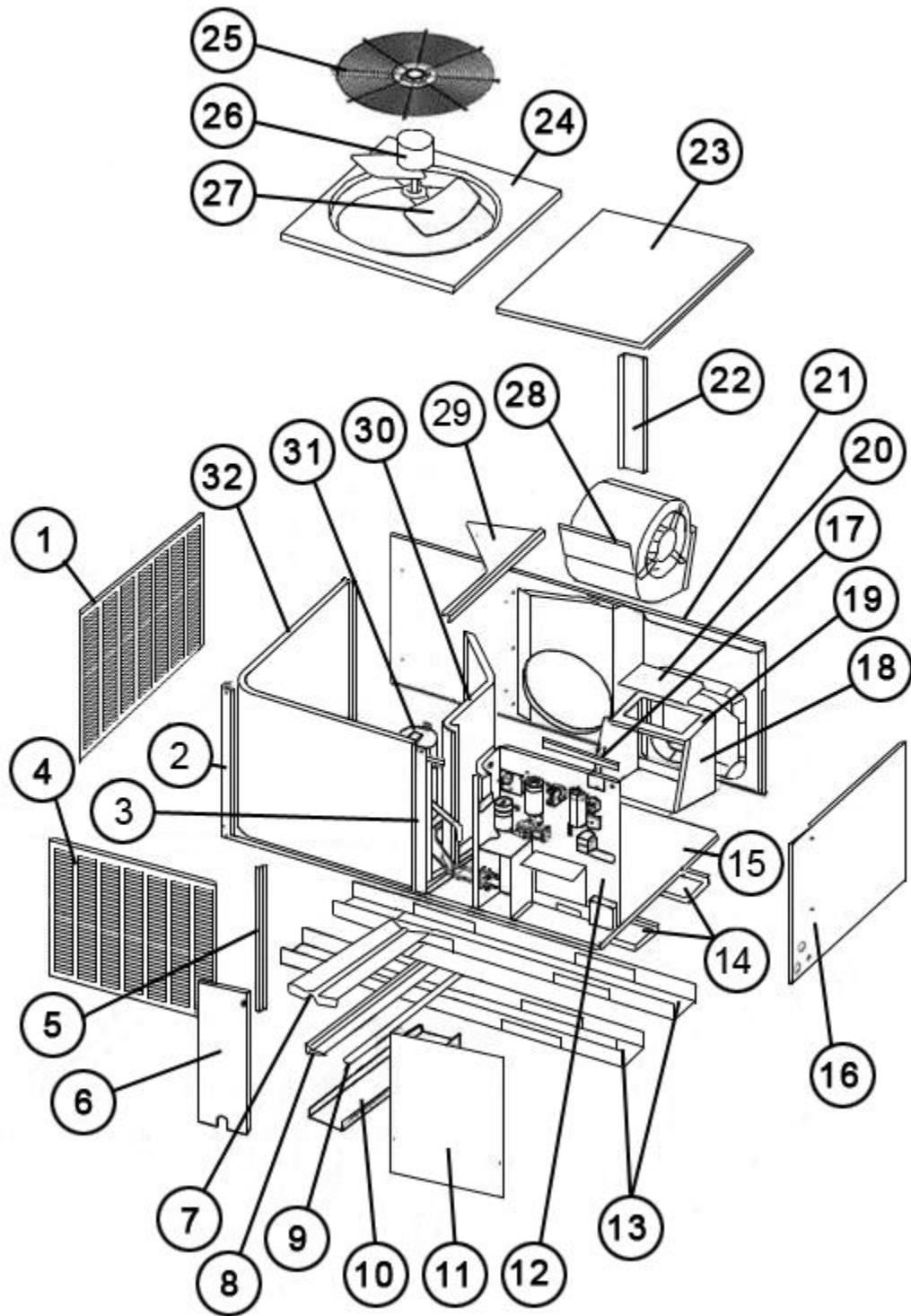
No.	Notes	MODEL COOLING CAPACITY VARIATION	MPH 24 A-1K	MPH 30 A-1K	MPH 36 A-1K	MPH 42 A-1K	MPH 48 A-1K	MPH 60 A-1K
<b>COMPRESSOR GROUP</b>								
<b>Compressor ID:</b>			<b>7239</b>	<b>7240</b>	<b>7241</b>	<b>7242</b>	<b>7243</b>	<b>7472</b>
31	Stk	Compressor	55-100835-13S	55-100835-16S	55-100835-23S	55-100835-15S	55-100835-27S	55-100835-06S
48	Stk	Run Capacitor - Fan/Compressor	43-26261-44	43-26261-09	43-26261-41	43-101665-37	43-26261-39	43-101665-30
49		Capacitor Strap	AE-50892-56	AE-50892-56	AE-50892-56	AE-50892-56	AE-50892-56	AE-50892-56
57	Stk	Compressor Wiring Harness (Molded Plug)	45-100834-80	45-100834-80	45-100834-80	45-100834-80	45-100834-80	45-100834-80



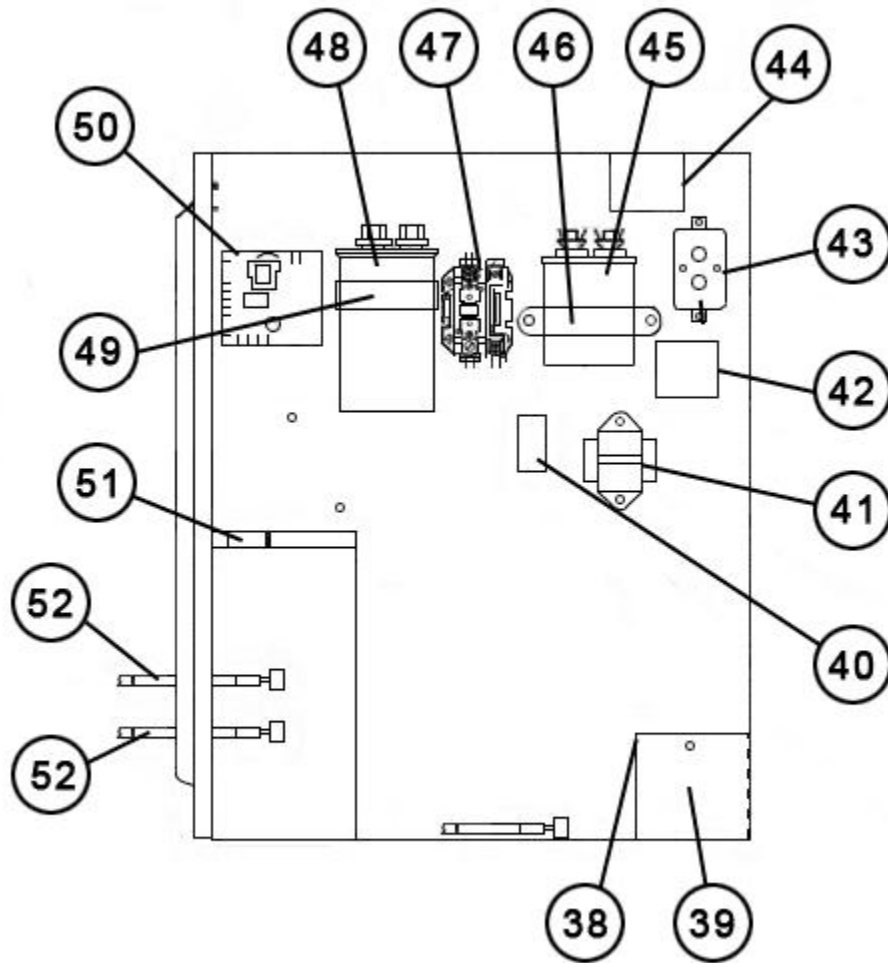
No.	Notes	MODEL COOLING CAPACITY VARIATION	MPH 24 A-1K	MPH 30 A-1K	MPH 36 A-1K
<b>HEATER KITS</b>					
		Heater Kit (5 kW)	RXQJ-C05J	RXQJ-C05J	RXQJ-C05J
		Heater Kit (7 kW)	RXQJ-C07J	RXQJ-C07J	RXQJ-C07J
		Heater Kit (10 kW)	RXQJ-C10J	RXQJ-C10J	RXQJ-C10J
		Heater Kit (15 kW)	N/A	RXQJ-C15J	RXQJ-C15J
		Heater Kit (20 kW)	N/A	N/A	RXQJ-C20J

No.	Notes	MODEL COOLING CAPACITY VARIATION	MPH 42 A-1K	MPH 48 A-1K	MPH 60 A-1K
<b>HEATER KITS</b>					
		Heater Kit (5 kW)	RXQJ-C05J	RXQJ-C05J	RXQJ-C05J
		Heater Kit (7 kW)	RXQJ-C07J	RXQJ-C07J	RXQJ-C07J
		Heater Kit (10 kW)	RXQJ-C10J	RXQJ-C10J	RXQJ-C10J
		Heater Kit (15 kW)	RXQJ-C15J	RXQJ-C15J	RXQJ-C15J
		Heater Kit (20 kW)	RXQJ-C20J	RXQJ-C20J	RXQJ-C20J

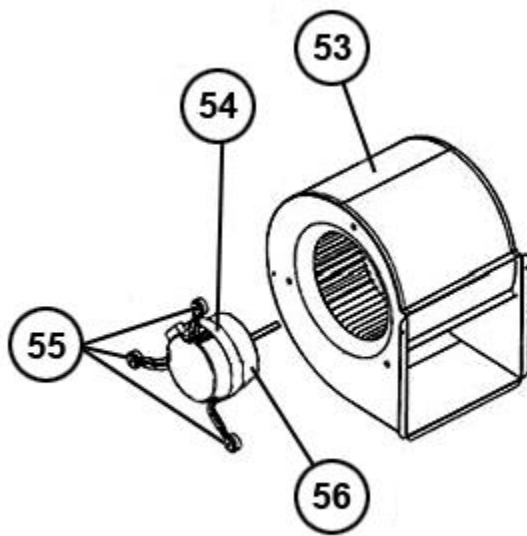
No.	Notes	MODEL COOLING CAPACITY VARIATION	MPH ALL ALL		
<b>ACCESSORIES</b>					
		Outdoor Thermostat	RXPT-A01		



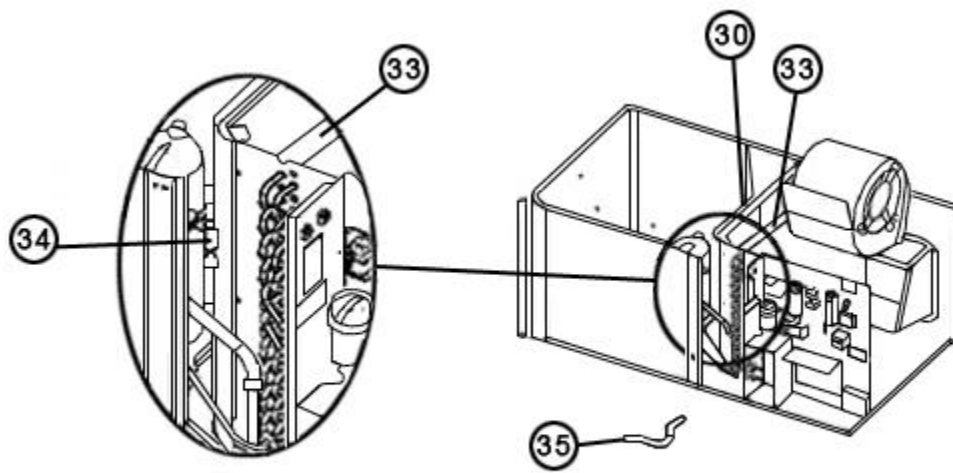
Exploded View



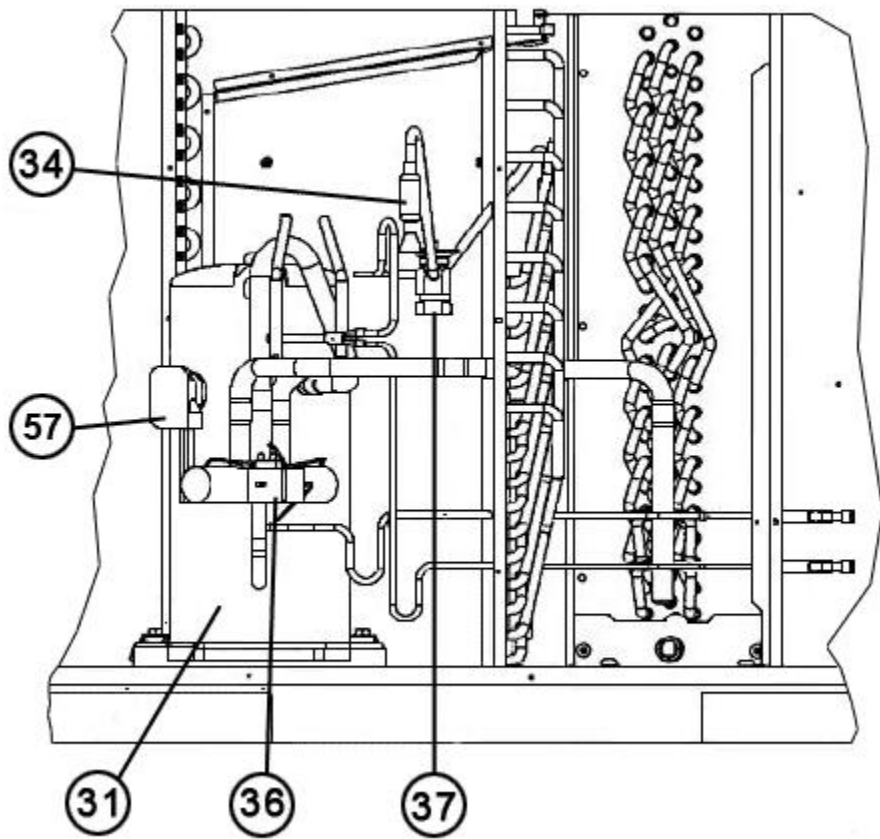
Control Panel



Blower Assembly



Coil Assembly



Compressor and Refrigeration Group

# NOTES

Stk It is recommended that stock be maintained for this part.  
N/A Not Applicable