

This Owner's Manual is provided and hosted by [Appliance Factory Parts](#).



# COMFORT-AIRE MPHG48A-1K Owner's Manual

[Shop genuine replacement parts for COMFORT-AIRE  
MPHG48A-1K](#)



[Find Your COMFORT-AIRE HVAC Parts - Select From 1486 Models](#)

----- Manual continues below -----

HEAT CONTROLLER, INC.

# MPHG

Parts List  
20-March-2012



*This parts list is current as of the above revision date.*

Form Number: 92-42810-MPHG

# Table of Contents

Model Explanation .....	Page 3
Parts Numbers	
Panels - Miscellaneous .....	Page 4
Electrical Group .....	Page 5
Fan Group .....	Page 6
Blower Group .....	Page 6
Coil Parts .....	Page 7
Compressor Group .....	Page 7
Heater Kits .....	Page 8
Accessories .....	Page 8
Drawings/Photographs	
Exploded View .....	Page 9
Control Panel .....	Page 10
Blower Assembly .....	Page 11
Coil Assembly .....	Page 12
Compressor and Refrigeration Group .....	Page 13
Notes .....	Page 14

**MODEL NUMBER EXPLANATION**

<b>M</b>	<b>P</b>	<b>H</b>	<b>G</b>	<b>2</b>	<b>4</b>	<b>A</b>	<b>-</b>	<b>1</b>	<b>K</b>
1				2		3			

- (1) **SERIES**
- (2) **COOLING CAPACITY (BTU/HR)**  
 24= 24,000  
 30= 30,000  
 36= 36,000  
 42= 42,000  
 48= 48,000  
 60= 60,000
- (3) **VARIATION**

**SERIAL NUMBER EXPLANATION**

<b>7</b>	<b>5</b>	<b>4</b>	<b>4</b>	<b>F</b>	<b>0</b>	<b>2</b>	<b>0</b>	<b>9</b>	<b>9</b>	<b>9</b>	<b>9</b>	<b>9</b>
1				2	3		4	5				

- (1) **COMPRESSOR IDENTIFICATION NUMBER**
- (2) **PRODUCTION LOCATION**
- (3) **WEEK OF PRODUCTION**
- (4) **YEAR OF PRODUCTION**
- (5) **PRODUCTION NUMBER**

No.	Notes	MODEL COOLING CAPACITY VARIATION	MPHG 24 A-1K	MPHG 30 A-1K	MPHG 36 A-1K	MPHG 42 A-1K	MPHG 48 A-1K	MPHG 60 A-1K	
<b>PANELS, MISCELLANEOUS PARTS</b>									
1		Louver Panel	AS-100830-02C	AS-100830-02C	AS-100830-02C	AS-100830-04C	AS-100830-04C	AS-100830-04C	
2		Corner Post	AS-100822-01C	AS-100822-01C	AS-100822-01C	AS-100822-02C	AS-100822-02C	AS-100822-02C	
3		Front Post	AS-100821-01C	AS-100821-01C	AS-100821-01C	AS-100821-02C	AS-100821-02C	AS-100821-02C	
4		Louver Panel	AS-100830-01C	AS-100830-01C	AS-100830-01C	AS-100830-03C	AS-100830-03C	AS-100830-03C	
5		Insulation Retainer	AE-100831-02	AE-100831-02	AE-100831-02	AE-100831-03	AE-100831-03	AE-100831-03	
6		Front Access Panel	AS-100823-01C	AS-100823-01C	AS-100823-01C	AS-100821-02C	AS-100821-02C	AS-100821-02C	
7		Drainpan	See Coil Group						
8		Air Stop - Drain pan	AE-100825-01	AE-100825-01	AE-100825-01	AE-100825-01	AE-100825-01	AE-100825-01	
9		Air Stop - Drain pan	AE-100825-02	AE-100825-02	AE-100825-02	AE-100825-02	AE-100825-02	AE-100825-02	
10		Drainpan Tray	AS-100809-01C	AS-100809-01C	AS-100809-01C	AS-100809-01C	AS-100809-01C	AS-100809-01C	
11		Control Access Panel	AS-100824-01C	AS-100824-01C	AS-100824-01C	AS-100824-02C	AS-100824-02C	AS-100824-02C	
12		Control Panel Assembly	AS-100807-01	AS-100807-01	AS-100807-01	AS-100807-02	AS-100807-02	AS-100807-02	
13		Base Rail (2)	AE-102792-01	AE-102792-01	AE-102792-01	AE-102792-01	AE-102792-01	AE-102792-01	
14		Base Rail (2)	N/A	N/A	N/A	N/A	N/A	N/A	
15		Base Pan	AS-100804-01C	AS-100804-01C	AS-100804-01C	AS-100804-01C	AS-100804-01C	AS-100804-01C	
16		Right Panel Assembly	AS-100820-01C	AS-100820-01C	AS-100820-01C	AS-100820-02C	AS-100820-02C	AS-100820-02C	
17		Blower Support	AE-100818-02	AE-100818-02	AE-100818-02	AE-100818-02	AE-100818-02	AE-100818-02	
		Insulation Retainer (2)	AE-100831-01	AE-100831-01	AE-100831-01	AE-100831-01	AE-100831-01	AE-100831-01	
		Duct Ring - 14 in.	58-100850-01	58-100850-01	58-100850-01	58-100850-01	58-100850-01	58-100850-01	
18		Transition Bottom	AE-100815-01	AE-100815-01	AE-100815-01	AE-100815-01	AE-100815-01	AE-100815-01	
19		Transition Top	AE-100815-02	AE-100815-02	AE-100815-02	AE-100815-02	AE-100815-02	AE-100815-02	
20		Block Off Plate	AE-100816-01	AE-100816-01	AE-100816-01	AE-100816-01	AE-100816-01	AE-100816-01	
21		Rear Panel Assembly	AS-100814-01C	AS-100814-01C	AS-100814-01C	AS-100814-02C	AS-100814-02C	AS-100814-02C	
22		Rear Air Stop	AE-100810-01	AE-100810-01	AE-100810-01	AE-100810-02	AE-100810-02	AE-100810-02	
23		Top Panel Assembly (Indoor)	AS-100828-01C	AS-100828-01C	AS-100828-01C	AS-100828-01C	AS-100828-01C	AS-100828-01C	
24		Top Panel (Outdoor)	AS-100829-01C	AS-100829-01C	AS-100829-01C	AS-100829-01C	AS-100829-01C	AS-100829-01C	
25		Grille	95-100906-07	95-100906-07	95-100906-07	95-100906-07	95-100906-07	95-100906-07	
28		Blower Support	AE-100818-01	AE-100818-01	AE-100818-01	AE-100818-01	AE-100818-01	AE-100818-01	
29		Bulkhead Cap Assembly	AS-100826-01C	AS-100826-01C	AS-100826-01C	AS-100826-01C	AS-100826-01C	AS-100826-01C	
30		Bulkhead Assembly	AS-100812-01	AS-100812-01	AS-100812-01	AS-100812-02	AS-100812-02	AS-100812-02	
38		Low Voltage Mount	AE-100839-01	AE-100839-01	AE-100839-01	AE-100839-01	AE-100839-01	AE-100839-01	
39		Low Voltage Cover	AE-100839-02	AE-100839-02	AE-100839-02	AE-100839-02	AE-100839-02	AE-100839-02	
44		Heater Kit Delete Plate (Mounted in Control Box)	AE-100842-01	AE-100842-01	AE-100842-01	AE-100842-01	AE-100842-01	AE-100842-01	
51		Gaugeport Enclosure	AE-101352-01	AE-101352-01	AE-101352-01	AE-101352-01	AE-101352-01	AE-101352-01	

No.	Notes	MODEL COOLING CAPACITY VARIATION	MPHG 24 A-1K	MPHG 30 A-1K	MPHG 36 A-1K	MPHG 42 A-1K
<b>ELECTRICAL GROUP</b>						
CONTROL BOX COMPONENTS:						
40		Terminal Strip	45-23591-01	45-23591-01	45-23591-01	45-23591-01
41	Stk	Transformer	46-18788-11	46-18788-11	46-18788-11	46-18788-11
42	Stk	Blower Time Delay	47-23433-05	47-23433-05	47-23433-05	47-23433-05
43	Stk	Relay	42-101208-01	42-101208-01	42-101208-01	42-101208-01
45	Stk	Capacitor (Blower Motor)	See Blower Group			
46		Capacitor Strap (Blower Motor)	AE-50892-01	AE-50892-01	AE-50892-01	AE-50892-01
47	Stk	Contactactor	42-102851-02	42-102851-02	42-102851-02	42-102851-02
48	Stk	Capacitor - Compressor/Fan	See Compressor Group			
49		Capacitor Strap (Compressor/Fan)	AE-50892-56	AE-50892-56	AE-50892-56	AE-50892-56
50	Stk	Defrost Control Board	47-102684-03	47-102684-03	47-102684-03	47-102684-03

No.	Notes	MODEL COOLING CAPACITY VARIATION	MPHG 48 A-1K	MPHG 60 A-1K		
<b>ELECTRICAL GROUP</b>						
CONTROL BOX COMPONENTS:						
40		Terminal Strip	45-23591-01	45-23591-01		
41	Stk	Transformer	46-18788-11	46-18788-11		
42	Stk	Blower Time Delay	47-23433-05	47-23433-05		
43	Stk	Relay	42-101208-01	42-101208-01		
45	Stk	Capacitor - Blower Motor	See Blower Group			
46		Capacitor Strap (Blower Motor)	AE-50892-01	AE-50892-01		
47	Stk	Contactactor	42-102851-02	42-42478-02		
48	Stk	Capacitor - Compressor/Fan	See Compressor Group			
49		Capacitor Strap (Compressor/Fan)	AE-50892-56	AE-50892-56		
50	Stk	Defrost Control Board	47-102684-03	47-102684-03		

No.	Notes	MODEL COOLING CAPACITY VARIATION	MPHG 24 A-1K	MPHG 30 A-1K	MPHG 36 A-1K	MPHG 42 A-1K
<b>FAN GROUP</b>						
26	Stk	Fan Motor	51-100998-24	51-100998-24	51-100998-24	51-100998-25
27	Stk	Fan Blade	70-101323-20	70-101323-20	70-101323-20	70-100580-09
48		Capacitor - Fan Motor	See Compressor Group			

No.	Notes	MODEL COOLING CAPACITY VARIATION	MPHG 48 A-1K	MPHG 60 A-1K		
<b>FAN GROUP</b>						
26	Stk	Fan Motor	51-100998-25	51-100998-25		
27	Stk	Fan Blade	70-100580-09	70-100580-09		
48		Capacitor - Fan Motor	See Compressor Group			

No.	Notes	MODEL COOLING CAPACITY VARIATION	MPHG 24 A-1K	MPHG 30 A-1K	MPHG 36 A-1K	MPHG 42 A-1K
<b>BLOWER GROUP</b>						
	Stk	Blower Assembly	AS-100841-01	AS-100841-02	AS-100841-03	AS-100841-04
53		Blower Housing w/Wheel	70-100840-01	70-100840-01	70-100840-01	70-100840-02
	Stk	Blower Wheel	703017	703017	703017	703016
54		Motor Band	70-19927-03	70-19927-03	70-19927-03	70-19927-03
55		Arm Assembly	70-19929-09	70-19929-09	70-19929-09	70-19929-09
56	Stk	Blower Motor	51-100837-01	51-100837-02	51-100837-03	51-100837-04
45	Stk	Capacitor - Blower Motor	43-100496-09	43-100496-39	43-100496-41	43-100496-42

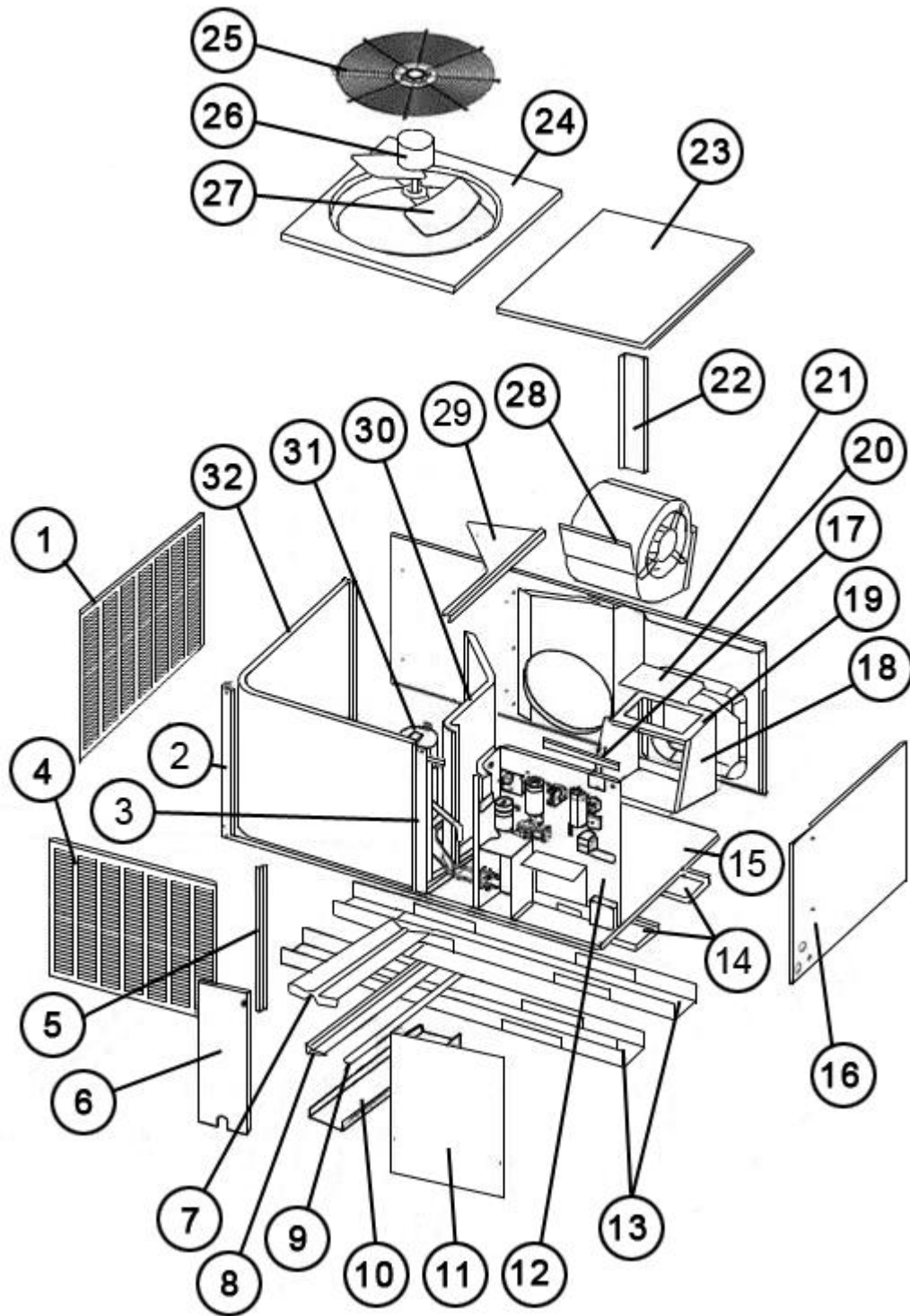
No.	Notes	MODEL COOLING CAPACITY VARIATION	MPHG 48 A-1K	MPHG 60 A-1K		
<b>BLOWER GROUP</b>						
	Stk	Blower Assembly	AS-100841-05	AS-100841-06		
53		Blower Housing w/Wheel	70-100840-02	70-100840-02		
	Stk	Blower Wheel	703016	703016		
54		Motor Band	70-19927-03	70-19927-03		
55		Arm Assembly	70-19929-09	70-19929-09		
56	Stk	Blower Motor	51-100837-05	51-100837-06		
45	Stk	Capacitor - Blower Motor	43-100496-42	43-100496-49		

No.	Notes	MODEL COOLING CAPACITY VARIATION	MPHG 24 A-1K	MPHG 30 A-1K	MPHG 36 A-1K	MPHG 42 A-1K	MPHG 48 A-1K	MPHG 60 A-1K
<b>COIL GROUP</b>								
<b>CONDENSER COIL:</b>								
32	Stk	Condenser Coil (Outdoor Coil)	AS-100793-14	AS-100793-15	AS-100793-15	AS-100793-16	AS-100793-16	AS-100793-17
		Distributor Assembly	83-102272-01	83-102272-01	83-102272-01	83-102272-01	83-102272-01	83-102272-02
<b>EVAPORATOR COIL:</b>								
33	Stk	Evaporator Coil (Indoor)	AS-100792-14	AS-100792-15	AS-100792-15	AS-100792-16	AS-100792-16	AS-100792-17
7	Stk	Drain Pan - Evaporator Coil	68-100808-02	68-100808-02	68-100808-02	68-100808-02	68-100808-02	68-100808-02
34		Distributor Assembly	83-102278-01	83-102278-02	83-102278-02	83-102278-03	83-102278-03	83-102278-04
35		Drain Trap Assembly	68-100846-02	68-100846-02	68-100846-02	68-100846-02	68-100846-02	68-100846-02
37	Stk,2	TXV - Sporlan (See Note 2)	61-102211-07	61-102211-09	61-102211-10	61-102211-11	61-102211-12	61-102211-13
37	Stk,2	TXV - Emerson (See Note 2)	61-102213-04	61-102213-05	61-102213-03	61-102213-06	61-102213-07	61-102213-08
		TXV Bulb Strap Kit	64-101357-01	64-101357-01	64-101357-01	64-101357-01	64-101357-01	64-101357-01
<b>REFRIGERATION GROUP:</b>								
	Stk	Charge Compensator	83-25361-01	N/A	N/A	N/A	N/A	N/A
36	Stk,1	Reversing Valve w/Coil - See Note 1	61-101684-02	61-101684-02	61-101684-02	61-101684-06	61-101684-06	61-101684-03
	Stk	Solenoid Coil - RV	61-101713-01	61-101713-01	61-101713-01	61-101713-01	61-101713-01	61-101713-01
		Wiring Harness - Reversing Valve	61-26149-01	61-26149-01	61-26149-01	61-26149-01	61-26149-01	61-26149-01
51		Gaugeport Manifold - Valve Body (2)	61-22369-04	61-22369-04	61-22369-04	61-22369-04	61-22369-04	61-22369-04
51		Gaugeport Manifold - Valve Core (2)	61-18551-01	61-18551-01	61-18551-01	61-18551-01	61-18551-01	61-18551-01
	Stk	Filter Drier	83-41714-03	83-41714-03	83-41714-03	83-41714-01	83-41714-01	83-41714-01
		Filter Drier Strap	AE-102132-01	AE-102132-01	AE-102132-01	AE-102132-01	AE-102132-01	AE-102132-01

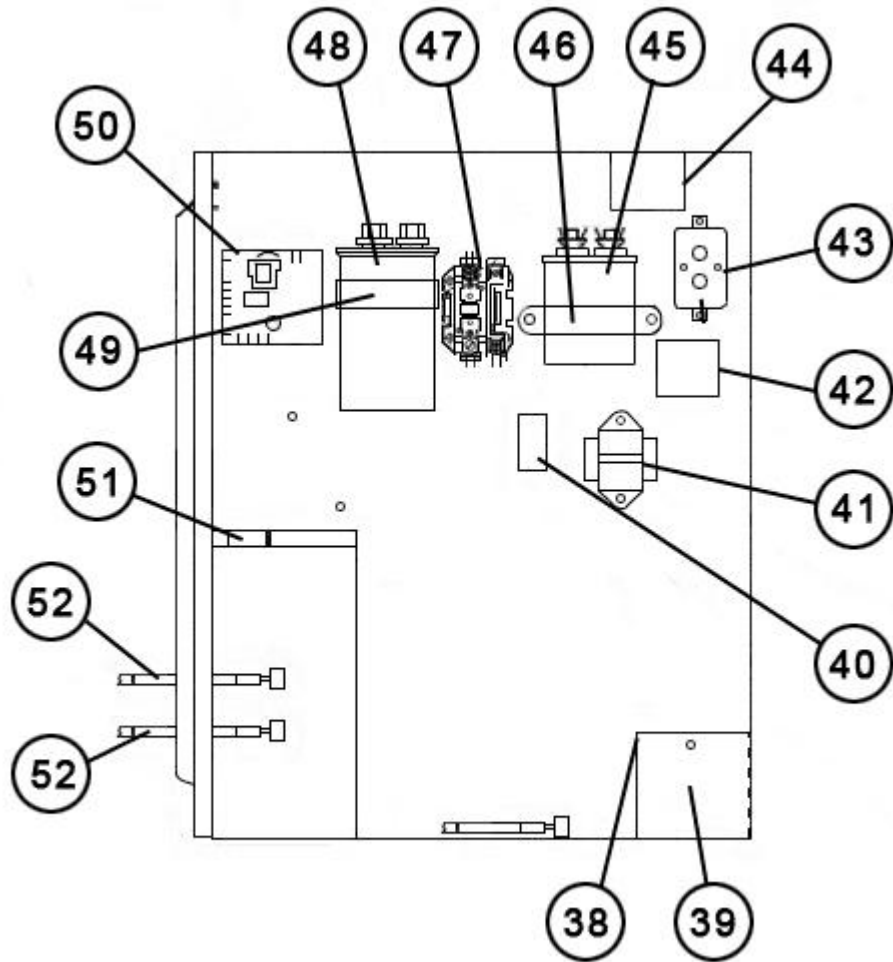
No.	Notes	MODEL COOLING CAPACITY VARIATION	MPHG 24 A-1K	MPHG 30 A-1K	MPHG 36 A-1K	MPHG 42 A-1K	MPHG 48 A-1K	MPHG 60 A-1K
<b>COMPRESSOR GROUP</b>								
		<b>Compressor ID:</b>	<b>7544</b>	<b>7545</b>	<b>7546</b>	<b>7547</b>	<b>7549</b>	<b>7551</b>
31	Stk	Compressor	55-102045-24S	55-102045-02S	55-102045-03S	55-102045-12S	55-102045-09S	55-102045-26S
48	Stk	Capacitor - Fan/Compressor	43-101665-44	43-101665-09	43-26271-41	43-26271-48	43-26271-47	43-26271-47
57	Stk	Compressor Wiring Harness (Plug)	45-100834-80	45-100834-80	45-100834-80	45-100834-80	45-100834-80	45-100834-80
		<b>Compressor ID:</b>				<b>7548</b>		<b>7552</b>
31	Stk	Compressor				55-102282-05S		55-102282-01S
48	Stk	Run Capacitor - Fan/Compressor				43-101665-38		43-26271-47
57	Stk	Compressor Wiring Harness (Plug)				45-102303-01		45-102303-01

No.	Notes	MODEL COOLING CAPACITY VARIATION	MPHG 24 A-1K	MPHG 30 A-1K	MPHG 36 A-1K	MPHG 42 A-1K	MPHG 48 A-1K	MPHG 60 A-1K
<b>HEATER KITS</b>								
		Heater Kit (5 kW)	RXQJ-C05J	RXQJ-C05J	RXQJ-C05J	RXQJ-C05J	RXQJ-C05J	RXQJ-C05J
		Heater Kit (7 kW)	RXQJ-C07J	RXQJ-C07J	RXQJ-C07J	RXQJ-C07J	RXQJ-C07J	RXQJ-C07J
		Heater Kit (10 kW)	RXQJ-C10J	RXQJ-C10J	RXQJ-C10J	RXQJ-C10J	RXQJ-C10J	RXQJ-C10J
		Heater Kit (15 kW)		RXQJ-C15J	RXQJ-C15J	RXQJ-C15J	RXQJ-C15J	RXQJ-C15J
		Heater Kit (20 kW)				RXQJ-C20J	RXQJ-C20J	RXQJ-C20J

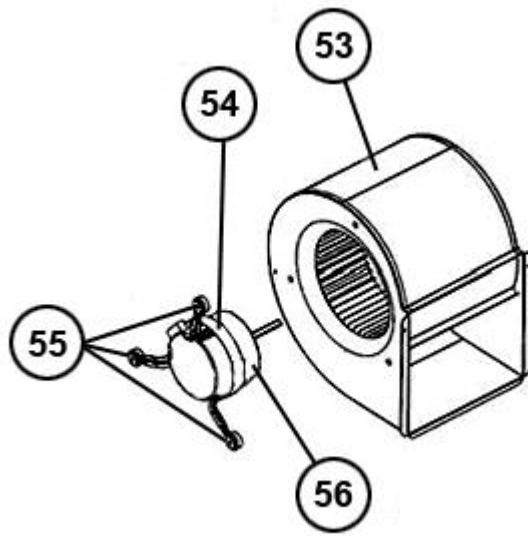
No.	Notes	MODEL COOLING CAPACITY VARIATION	MPHG ALL ALL					
<b>ACCESSORIES</b>								
		Outdoor Thermostat	RXPT-A01					



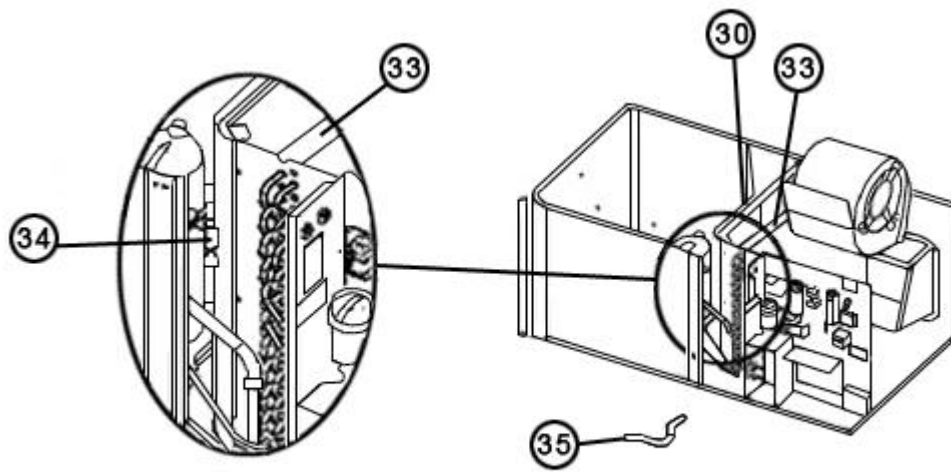
Exploded View



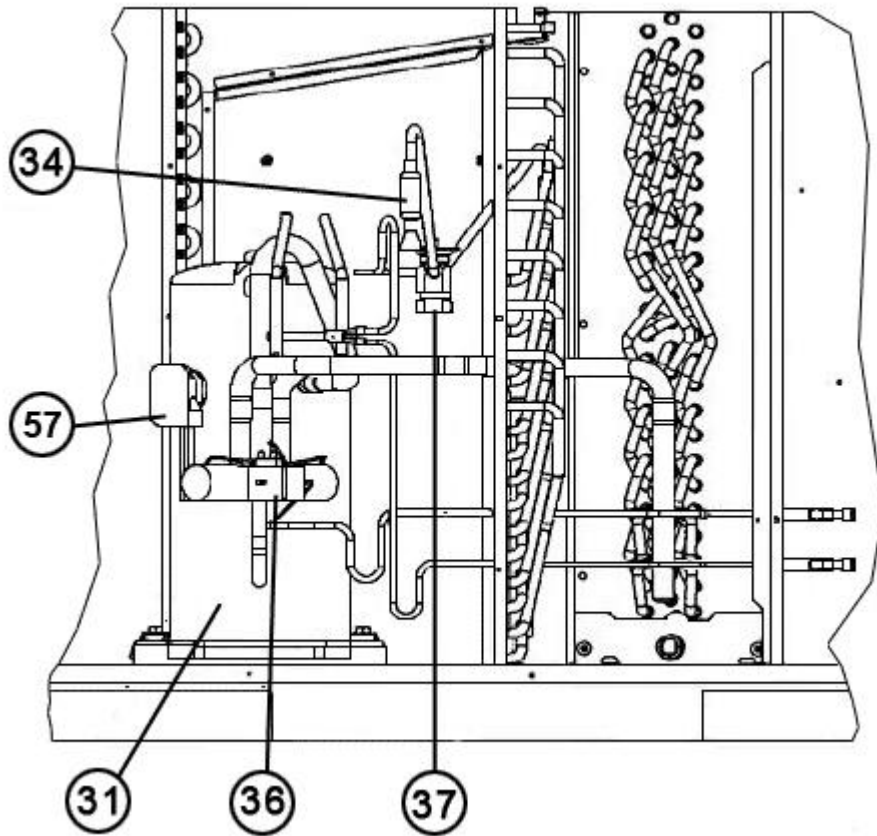
Control Panel



Blower Assembly



Coil Assembly



Compressor and Refrigeration Group

# NOTES

Stk It is recommended that stock be maintained for this part.

N/A Not Applicable

- 1 The reversing valve specified for 042, 048 models may be different than the one originally supplied with the equipment. The use of the specified valve is recommended for improved shifting performance.
- 2 The Sporlan and Emerson valves specified for this unit may be interchanged in service. The valves are interchangeable for this specific model only.