

This Owner's Manual is provided and hosted by [Appliance Factory Parts](http://www.appliancefactoryparts.com).



COMFORT-AIRE HFE4821EP-1A Owner's Manual

[Shop genuine replacement parts for COMFORT-AIRE
HFE4821EP-1A](#)



[Find Your COMFORT-AIRE HVAC Parts - Select From 1486 Models](#)

----- Manual continues below -----

HFE-EP

HEAT CONTROLLER, INC.

Parts List
28-March-2012



This parts list is current as of the above revision date.

Form Number: 92-42810-HFE-EP

Table of Contents

| | |
|------------------------------|---------|
| Model Explanation | Page 3 |
| Parts Numbers | |
| Panels - Miscellaneous | Page 4 |
| Electrical Group | Page 5 |
| Blower Group | Page 7 |
| Coil Parts | Page 8 |
| Heater Kits | Page 8 |
| Drawings/Photographs | |
| Exploded View | Page 9 |
| Blower Assembly | Page 10 |
| Notes | Page 11 |

MODEL NUMBER EXPLANATION

| | | | | | | | | |
|----------|----------|----------|-----------|-----------|-----------|----------|----------|----------|
| H | F | E | 24 | 17 | EP | - | 1 | A |
| | 1 | | 2 | 3 | 4 | | 5 | 6 |

- | | |
|--|--|
| <p>1 HEAT CONTROLLER SERIES A/C OR HP, MULTI-POSITION (PSC MOTOR)</p> <p>2 CAPACITY 18= 18,000 BTU/HR 24= 24,000 BTU/HR 30= 30,000 BTU/HR 36= 36000 BTU/HR 42= 42,000 BTU/HR 48= 48,000 BTU/HR</p> | <p>3 CABINET SIZE 17= 17.5 in. 21= 21 in. 24= 24.5 in.</p> <p>4 REFRIGERANT EP= R22 GP= R410A</p> <p>5 VOLTAGE 0= 115/1/60 1= 208-240/1/60</p> <p>6 DESIGN VARIATION - A</p> |
|--|--|

SERIAL NUMBER EXPLANATION

| | | | | | | | | | |
|----------|----------|----------|----------|----------|----------|----------|----------|----------|----------|
| M | 0 | 7 | 0 | 1 | 9 | 9 | 9 | 9 | 9 |
| 1 | 2 | | 3 | | 4 | | | | |

- | | |
|---|----------------------------|
| 1 | PRODUCTION LOCATION |
| 2 | WEEK OF PRODUCTION |
| 3 | YEAR OF PRODUCTION |
| 4 | PRODUCTION NUMBER |

| No. | Notes | MODEL | HFE | HFE | HFE | HFE | HFE | HFE |
|---|-------|-----------------------------|--------------------------|--------------|--------------|--------------|--------------|--------------|
| | | CAPACITY | 18 | 18 | 24 | 24 | 30 | 30 |
| | | CABINET SIZE | 17 | 17 | 17 | 17 | 17 | 17 |
| | | CONFIGURATION | EP | EP | EP | EP | EP | EP |
| | | VOLTAGE | 0 | 1 | 0 | 1 | 0 | 1 |
| | | VARIATION | A | A | A | A | A | A |
| PANELS, SHEET METAL, MISCELLANEOUS | | | | | | | | |
| 1 | | Cabinet | AE-100682-01 | AE-100682-01 | AE-100682-01 | AE-100682-01 | AE-100682-01 | AE-100682-01 |
| 2 | | Coil Door | AE-100685-22 | AE-100685-22 | AE-100685-22 | AE-100685-22 | AE-100685-22 | AE-100685-22 |
| 3 | | Top Cover Plate | AE-100686-01 | AE-100686-01 | AE-100686-01 | AE-100686-01 | AE-100686-01 | AE-100686-01 |
| 4 | | Blower Door | AE-100684-21 | AE-100684-21 | AE-100684-21 | AE-100684-21 | AE-100684-21 | AE-100684-21 |
| 5 | | Access Panel | AE-101133-21 | AE-101133-21 | AE-101133-21 | AE-101133-21 | AE-101133-21 | AE-101133-21 |
| 6 | | Drain Pan - Vertical | See RCSA Coil Parts List | | | | | |
| 7 | | Drain Pan - Horizontal | See RCSA Coil Parts List | | | | | |
| 8 | | Plate - Block Off | AE-100455-01 | AE-100455-01 | AE-100455-01 | AE-100455-01 | AE-100455-01 | AE-100455-01 |
| 9 | | Cabinet Brace | AE-101134-02 | AE-101134-02 | AE-101134-02 | AE-101134-02 | AE-101134-02 | AE-101134-02 |
| 10 | | Middle Brace | AE-101054-01 | AE-101054-01 | AE-101054-01 | AE-101054-01 | AE-101054-01 | AE-101054-01 |
| 13a | | Heat Barrier | AE-100683-02 | AE-100683-02 | AE-100683-02 | AE-100683-02 | AE-100683-03 | AE-100683-03 |
| 13b | | Heat Barrier Side (2) | AE-104241-01 | AE-104241-01 | AE-104241-01 | AE-104241-01 | AE-104241-01 | AE-104241-01 |
| | | Insulation Retainer Rod (2) | 45-102868-02 | 45-102868-02 | 45-102868-02 | 45-102868-02 | 45-102868-02 | 45-102868-02 |

| No. | Notes | MODEL | HFE | HFE | HFE | HFE | HFE | HFE |
|---|-------|-----------------------------|--------------------------|--------------|--------------|--------------|--------------|--------------|
| | | CAPACITY | 36 | 36 | 42 | 42 | 48 | 48 |
| | | CABINET SIZE | 17 | 17 | 21 | 21 | 21 | 21 |
| | | CONFIGURATION | EP | EP | EP | EP | EP | EP |
| | | VOLTAGE | 0 | 1 | 0 | 1 | 0 | 1 |
| | | VARIATION | A | A | A | A | A | A |
| PANELS, SHEET METAL, MISCELLANEOUS | | | | | | | | |
| 1 | | Cabinet | AE-100682-01 | AE-100682-01 | AE-100682-03 | AE-100682-03 | AE-100682-03 | AE-100682-03 |
| 2 | | Coil Door | AE-100685-22 | AE-100685-22 | AE-100685-24 | AE-100685-24 | AE-100685-24 | AE-100685-24 |
| 3 | | Top Cover Plate | AE-100686-01 | AE-100686-01 | AE-100686-02 | AE-100686-02 | AE-100686-02 | AE-100686-02 |
| 4 | | Blower Door | AE-100684-21 | AE-100684-21 | AE-100684-22 | AE-100684-22 | AE-100684-22 | AE-100684-22 |
| 5 | | Access Panel | AE-101133-21 | AE-101133-21 | AE-101133-21 | AE-101133-21 | AE-101133-21 | AE-101133-21 |
| 6 | | Drain Pan - Vertical | See RCSA Coil Parts List | | | | | |
| 7 | | Drain Pan - Horizontal | See RCSA Coil Parts List | | | | | |
| 8 | | Plate - Block Off | AE-100455-01 | AE-100455-01 | AE-100455-01 | AE-100455-01 | AE-100455-01 | AE-100455-01 |
| 9 | | Cabinet Brace | AE-101134-02 | AE-101134-02 | AE-101134-03 | AE-101134-03 | AE-101134-03 | AE-101134-03 |
| 10 | | Middle Brace | AE-101054-01 | AE-101054-01 | AE-101054-02 | AE-101054-02 | AE-101054-02 | AE-101054-02 |
| 13a | | Heat Barrier | AE-100683-03 | AE-100683-03 | AE-100683-06 | AE-100683-06 | AE-100683-06 | AE-100683-06 |
| 13b | | Heat Barrier Side (2) | AE-104241-01 | AE-104241-01 | AE-104241-01 | AE-104241-01 | AE-104241-01 | AE-104241-01 |
| | | Insulation Retainer Rod (2) | 45-102868-02 | 45-102868-02 | 45-102868-03 | 45-102868-03 | 45-102868-03 | 45-102868-03 |

| No. | Notes | MODEL | HFE | HFE | HFE | HFE | HFE | HFE |
|------------------|-------|--|---------------|---------------|---------------|---------------|---------------|---------------|
| | | CAPACITY | 18 | 18 | 24 | 24 | 30 | 30 |
| | | CABINET SIZE | 17 | 17 | 17 | 17 | 17 | 17 |
| | | CONFIGURATION | EP | EP | EP | EP | EP | EP |
| | | VOLTAGE | 0 | 1 | 0 | 1 | 0 | 1 |
| | | VARIATION | A | A | A | A | A | A |
| ELECTRICAL GROUP | | | | | | | | |
| 17 | Stk | Transformer | 46-101944-02 | 46-101944-02 | 46-101944-02 | 46-101944-02 | 46-101944-02 | 46-101944-02 |
| 18 | Stk | Control Board - Before M3807 | 47-100436-84A | 47-100436-84J | 47-100436-84A | 47-100436-84J | 47-100436-84A | 47-100436-84J |
| 18 | Stk | Control Board - After M3807 | 47-100436-05 | 47-100436-05 | 47-100436-05 | 47-100436-05 | 47-100436-05 | 47-100436-05 |
| | Stk | Fuse | 44-101986-01 | 44-101986-01 | 44-101986-01 | 44-101986-01 | 44-101986-01 | 44-101986-01 |
| | | Relay | N/A | N/A | N/A | N/A | N/A | N/A |
| | | Wiring Harness - Before M3807 4 Pin Molex to 2 stripped wires, 2 terminals | N/A | 45-24371-43 | N/A | 45-24371-43 | N/A | 45-24371-43 |
| | | Wiring Harness - Before M3807 5 Pin Molex to 5 stripped wires (For T-Stat) | 45-102645-01 | N/A | 45-102645-01 | N/A | 45-102645-01 | N/A |
| | | Wiring Harness - After M3807 5 Pin Molex to 3 stripped wires (For T-Stat) | 45-102645-02 | N/A | 45-102645-02 | N/A | 45-102645-02 | N/A |
| | | Wiring Harness - After M3807 5 Pin Molex to 5 stripped wires | N/A | 45-102645-01 | N/A | 45-102645-01 | N/A | 45-102645-01 |
| | | Wiring Harness - 1 strip lead and 1 connector to single connector (Control Transformer to Terminal Block) | 45-24258-17 | 45-24258-17 | 45-24258-17 | 45-24258-17 | 45-24258-17 | 45-24258-17 |
| | | Wiring Harness - 1 strip lead and 1 connector to single connector (Control Transformer to Blower Motor and Terminal Block) | 45-24258-23 | 45-24258-21 | 45-24258-23 | 45-24258-21 | 45-24258-23 | 45-24258-21 |
| 11 | | Terminal Block | 45-23222-02 | 45-23222-02 | 45-23222-02 | 45-23222-02 | 45-23222-02 | 45-23222-02 |

| No. | Notes | MODEL | HFE | HFE | HFE | HFE | HFE | HFE |
|------------------|-------|--|---------------|---------------|---------------|---------------|---------------|---------------|
| | | CAPACITY | 36 | 36 | 42 | 42 | 48 | 48 |
| | | CABINET SIZE | 17 | 17 | 21 | 21 | 21 | 21 |
| | | CONFIGURATION | EP | EP | EP | EP | EP | EP |
| | | VOLTAGE | 0 | 1 | 0 | 1 | 0 | 1 |
| | | VARIATION | A | A | A | A | A | A |
| ELECTRICAL GROUP | | | | | | | | |
| 17 | Stk | Transformer | 46-101944-02 | 46-101944-02 | 46-101944-02 | 46-101944-02 | 46-101944-02 | 46-101944-02 |
| 18 | Stk | Control Board - Before M3807 | 47-100436-84A | 47-100436-84J | 47-100436-84A | 47-100436-84J | 47-100436-84A | 47-100436-84J |
| 18 | Stk | Control Board - After M3807 | 47-100436-05 | 47-100436-05 | 47-100436-05 | 47-100436-05 | 47-100436-05 | 47-100436-05 |
| | Stk | Fuse | 44-101986-01 | 44-101986-01 | 44-101986-01 | 44-101986-01 | 44-101986-01 | 44-101986-01 |
| | | Relay | N/A | N/A | N/A | N/A | N/A | N/A |
| | | Wiring Harness - Before M3807 4 Pin Molex to 2 stripped wires, 2 terminals | N/A | 45-24371-43 | N/A | 45-24371-43 | N/A | 45-24371-43 |
| | | Wiring Harness - Before M3807 5 Pin Molex to 5 stripped wires (For T-Stat) | 45-102645-01 | N/A | 45-102645-01 | N/A | 45-102645-01 | N/A |
| | | Wiring Harness - After M3807 5 Pin Molex to 3 stripped wires (For T-Stat) | 45-102645-02 | N/A | 45-102645-02 | N/A | 45-102645-02 | N/A |
| | | Wiring Harness - After M3807 5 Pin Molex to 5 stripped wires | N/A | 45-102645-01 | N/A | 45-102645-01 | N/A | 45-102645-01 |
| | | Wiring Harness - 1 strip lead and 1 connector to single connector (Control Transformer to Terminal Block) | 45-24258-17 | 45-24258-17 | 45-24258-17 | 45-24258-17 | 45-24258-17 | 45-24258-17 |
| | | Wiring Harness - 1 strip lead and 1 connector to single connector (Control Transformer to Blower Motor and Terminal Block) | 45-24258-23 | 45-24258-21 | 45-24258-23 | 45-24258-21 | 45-24258-23 | 45-24258-21 |
| 11 | | Terminal Block | 45-23222-02 | 45-23222-02 | 45-23222-02 | 45-23222-02 | 45-23222-02 | 45-23222-02 |

| No. | Notes | MODEL | HFE | | | | | |
|------------------|-------|--|---------------|--|--|--|--|--|
| | | CAPACITY | 48 | | | | | |
| | | CABINET SIZE | 24 | | | | | |
| | | CONFIGURATION | EP | | | | | |
| | | VOLTAGE | 1 | | | | | |
| | | VARIATION | A | | | | | |
| ELECTRICAL GROUP | | | | | | | | |
| 17 | Stk | Transformer | 46-101944-02 | | | | | |
| 18 | Stk | Control Board - Before M3807 | 47-100436-84J | | | | | |
| 18 | Stk | Control Board - After M3807 | 47-100436-05 | | | | | |
| | Stk | Fuse | 44-101986-01 | | | | | |
| | | Relay | N/A | | | | | |
| | | Wiring Harness - Before M3807 4 Pin Molex to 2 stripped wires, 2 terminals | 45-24371-43 | | | | | |
| | | Wiring Harness - Before M3807 5 Pin Molex to 5 stripped wires (For T-Stat) | N/A | | | | | |
| | | Wiring Harness - After M3807 5 Pin Molex to 3 stripped wires (For T-Stat) | N/A | | | | | |

28-March-2012
92-42810-HFE-EP

| | | | | | | | |
|----|--|--------------|--|--|--|--|--|
| | Wiring Harness - After M3807 5 Pin Molex to 5 stripped wires | 45-102645-01 | | | | | |
| | Wiring Harness - 1 strip lead and 1 connector to single connector (Control Transformer to Terminal Block) | 45-24258-17 | | | | | |
| | Wiring Harness - 1 strip lead and 1 connector to single connector (Control Transformer to Blower Motor and Terminal Block) | 45-24258-21 | | | | | |
| 11 | Terminal Block | 45-23222-02 | | | | | |

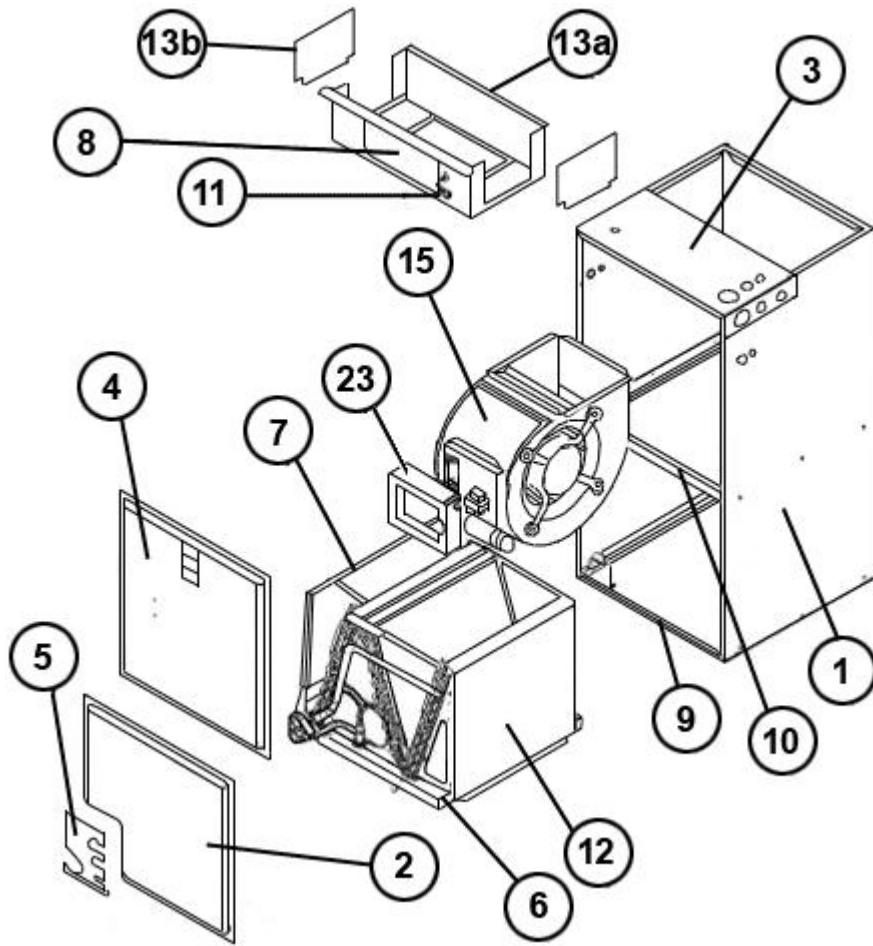
| No. | Notes | MODEL | HFE | HFE | HFE | HFE | HFE | HFE |
|---------------------|-------|---|----------------------|--------------|--------------|--------------|--------------|--------------|
| | | CAPACITY | 18 | 18 | 24 | 24 | 30 | 30 |
| | | CABINET SIZE | 17 | 17 | 17 | 17 | 17 | 17 |
| | | CONFIGURATION | EP | EP | EP | EP | EP | EP |
| | | VOLTAGE | 0 | 1 | 0 | 1 | 0 | 1 |
| | | VARIATION | A | A | A | A | A | A |
| BLOWER GROUP | | | | | | | | |
| 15 | Stk | Blower Assembly (Includes items 16-22) -Before M3807 | AS-101929-81 | AS-101931-81 | AS-101929-82 | AS-101931-82 | AS-101929-83 | AS-101931-83 |
| 15 | Stk | Blower Assembly (Includes items 16-22) -After M3807 | AS-101929-01 | AS-101931-01 | AS-101929-02 | AS-101931-02 | AS-101929-03 | AS-101931-03 |
| 16 | | Mounting Bracket - Control Board | AE-101049-01 | AE-101049-01 | AE-101049-01 | AE-101049-01 | AE-101049-01 | AE-101049-01 |
| 17 | | Transformer | See Electrical Group | | | | | |
| 18 | | Control Board | See Electrical Group | | | | | |
| 19 | | Blower Housing w/Wheel | 70-101729-01 | 70-101729-01 | 70-101729-01 | 70-101729-01 | 70-101729-02 | 70-101729-02 |
| | Stk | Blower Wheel | 703012 | 703012 | 703012 | 703012 | 703014 | 703014 |
| 20 | | Motor Mount - Band | 70-19927-04 | 70-19927-04 | 70-19927-04 | 70-19927-04 | 70-19927-04 | 70-19927-04 |
| 21 | | Motor Mount - Arm (4) | 70-19929-10 | 70-19929-10 | 70-19929-10 | 70-19929-10 | 70-19929-10 | 70-19929-10 |
| 22 | Stk | Blower Motor (PSC) | 51-102175-01 | 51-101728-01 | 51-102175-02 | 51-102500-07 | 51-102175-03 | 51-101728-03 |
| | Stk | Capacitor - Blower Motor | 43-101666-55 | 43-101666-55 | 43-100510-58 | 43-101666-55 | 43-100510-56 | 43-100510-56 |
| | | Capacitor Strap | AE-50892-12 | AE-50892-12 | AE-50892-12 | AE-50892-12 | AE-50892-12 | AE-50892-12 |

| No. | Notes | MODEL | HFE | HFE | HFE | HFE | HFE | HFE |
|---------------------|-------|---|----------------------|--------------|--------------|--------------|--------------|--------------|
| | | CAPACITY | 36 | 36 | 42 | 42 | 48 | 48 |
| | | CABINET SIZE | 17 | 17 | 21 | 21 | 21 | 21 |
| | | CONFIGURATION | EP | EP | EP | EP | EP | EP |
| | | VOLTAGE | 0 | 1 | 0 | 1 | 0 | 1 |
| | | VARIATION | A | A | A | A | A | A |
| BLOWER GROUP | | | | | | | | |
| 15 | Stk | Blower Assembly (Includes items 16-22) -Before M3807 | AS-101929-84 | AS-101931-84 | AS-101929-85 | AS-101931-85 | AS-101929-86 | AS-101931-86 |
| 15 | Stk | Blower Assembly (Includes items 16-22) -After M3807 | AS-101929-04 | AS-101931-04 | AS-101929-05 | AS-101931-05 | AS-101929-06 | AS-101931-06 |
| 16 | | Mounting Bracket - Control Board | AE-101049-01 | AE-101049-01 | AE-101049-01 | AE-101049-01 | AE-101049-01 | AE-101049-01 |
| 17 | | Transformer | See Electrical Group | | | | | |
| 18 | | Control Board | See Electrical Group | | | | | |
| 19 | | Blower Housing w/Wheel | 70-101729-02 | 70-101729-02 | 70-101729-03 | 70-101729-03 | 70-101729-03 | 70-101729-03 |
| | Stk | Blower Wheel | 703014 | 703014 | 703013 | 703013 | 703013 | 703013 |
| 20 | | Motor Mount - Band | 70-19927-04 | 70-19927-04 | 70-19927-04 | 70-19927-04 | 70-19927-04 | 70-19927-04 |
| 21 | | Motor Mount - Arm (4) | 70-19929-10 | 70-19929-10 | 70-19929-10 | 70-19929-10 | 70-19929-10 | 70-19929-10 |
| 22 | Stk | Blower Motor (PSC) | 51-102175-04 | 51-101728-04 | 51-102175-05 | 51-101728-05 | 51-102175-06 | 51-101728-06 |
| | Stk | Capacitor - Blower Motor | 43-100509-43 | 43-100509-43 | 43-101666-57 | 43-101666-57 | 43-101666-57 | 43-101666-57 |
| | | Capacitor Strap | AE-50892-12 | AE-50892-12 | AE-50892-12 | AE-50892-12 | AE-50892-12 | AE-50892-12 |

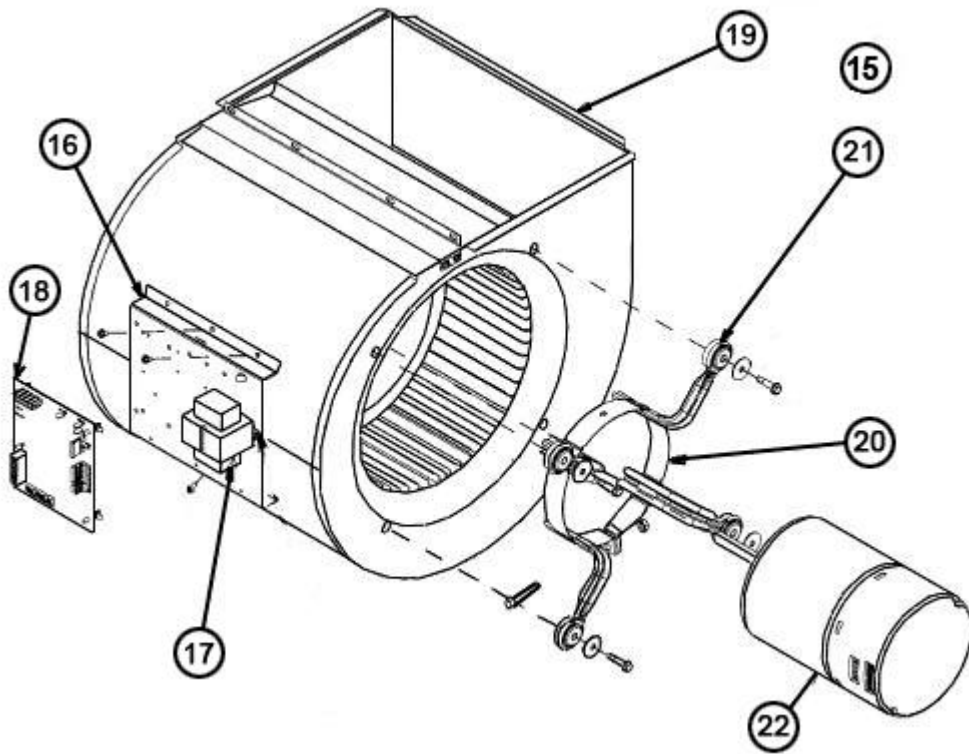
| No. | Notes | MODEL | HFE | | | | | |
|---------------------|-------|--|----------------------|--|--|--|--|--|
| | | CAPACITY | 48 | | | | | |
| | | CABINET SIZE | 24 | | | | | |
| | | CONFIGURATION | EP | | | | | |
| | | VOLTAGE | 1 | | | | | |
| | | VARIATION | A | | | | | |
| BLOWER GROUP | | | | | | | | |
| 15 | Stk | Blower Assembly (Includes items 16-22) Before M3807 | AS-101931-86 | | | | | |
| 15 | Stk | Blower Assembly (Includes items 16-22) After M3807 | AS-101931-06 | | | | | |
| 16 | | Mounting Bracket - Control Board | AE-101049-01 | | | | | |
| 17 | | Transformer | See Electrical Group | | | | | |
| 18 | | Control Board | See Electrical Group | | | | | |
| 19 | | Blower Housing w/Wheel | 70-101729-03 | | | | | |
| | Stk | Blower Wheel | 703013 | | | | | |
| 20 | | Motor Mount - Band | 70-19927-04 | | | | | |
| 21 | | Motor Mount - Arm (4) | 70-19929-10 | | | | | |
| 22 | Stk | Blower Motor (PSC) | 51-101728-06 | | | | | |
| | Stk | Capacitor - Blower Motor | 43-101666-57 | | | | | |
| | | Capacitor Strap | AE-50892-12 | | | | | |

| No. | Notes | MODEL CAPACITY CABINET SIZE VOLTAGE | HFE 18/24 17 0/1 | HFE 30/36 17 0/1 | HFE 36 21 1 | HFE 42/48 21 0/1 | HFE 48 24 1 | |
|-------------------|-------|---|------------------------------------|---------------------------|----------------------|---------------------------|----------------------|--|
| COIL GROUP | | | | | | | | |
| 12 | | Replacement Coil w/TXV (A/C or HP, Multi-Position) | RCSA-HM2417AU | RCSA-HM3617AU | RCSA-HM3621AU | RCSA-HM4821AU | RCSA-HM4824AU | |
| | | Drain Pan | See specified RCSA Coil Parts List | | | | | |
| | | TXV | See specified RCSA Coil Parts List | | | | | |

| No. | Notes | MODEL CAPACITY CABINET SIZE VOLTAGE | HFE 18/24 17 0/1 | HFE 30/36 17 0/1 | HFE 36 21 1 | HFE 42/48 21/24 0/1 | |
|--------------------|-------|--|--|--|--|--|--|
| HEATER KITS | | | | | | | |
| | | Heater Kit - 3kW/208-240/1 | RXBH-17A03J RXBH-1724A03J RXBH-1724B03J RXBH-1724C03J | RXBH-17A03J RXBH-1724A03J RXBH-1724B03J RXBH-1724C03J | N/A | N/A | |
| | | Heater Kit - 5kW/208-240/1 | RXBH-17A05J RXBH-1724A05J RXBH-1724B05J RXBH-1724C05J | RXBH-17A05J RXBH-1724A05J RXBH-1724B05J RXBH-1724C05J | RXBH-24A05J RXBH-1724A05J RXBH-1724B05J RXBH-1724C05J | RXBH-24A05J RXBH-1724A05J RXBH-1724B05J RXBH-1724C05J | |
| | | Heater Kit - 7kW/208-240/1 | RXBH-17A07J RXBH-1724A07J RXBH-1724B07J RXBH-1724C07J | RXBH-17A07J RXBH-1724A07J RXBH-1724B07J RXBH-1724C07J | RXBH-24A07J RXBH-1724A07J RXBH-1724B07J RXBH-1724C07J | RXBH-24A07J RXBH-1724A07J RXBH-1724B07J RXBH-1724C07J | |
| | | Heater Kit - 10kW/208-240/1 | RXBH-17A10J RXBH-1724A10J RXBH-1724B10J RXBH-1724C10J | RXBH-17A10J RXBH-1724A10J RXBH-1724B10J RXBH-1724C10J | RXBH-24A10J RXBH-1724A10J RXBH-1724B10J RXBH-1724C10J | RXBH-24A10J RXBH-1724A10J RXBH-1724B10J RXBH-1724C10J | |
| | | Heater Kit - 13kW/208-240/1 | RXBH-17A13J RXBH-1724A13J | RXBH-17A13J RXBH-1724A13J | N/A | N/A | |
| | | Heater Kit - 15kW/208-240/1 | N/A | RXBH-17A15J RXBH-1724A15J | RXBH-24A15J RXBH-1724A15J | RXBH-24A15J RXBH-1724A15J | |
| | | Heater Kit - 18kW/208-240/1 | N/A | RXBH-17A18J RXBH-1724A18J | RXBH-24A18J RXBH-1724A18J | RXBH-24A18J RXBH-1724A18J | |
| | | Heater Kit - 20kW/208-240/1 | N/A | N/A | N/A | RXBH-24A20J | |
| | | Heater Kit - 25kW/208-240/1 | N/A | N/A | N/A | RXBH-24A25J | |
| | | Heater Kit - 30kW/208-240/1 | N/A | N/A | N/A | N/A | |
| | | Heater Kit - 7kW/208-240/3 | RXBH-17A07C RXBH-1724A07C | RXBH-17A07C RXBH-1724A07C | RXBH-24A07C RXBH-1724A07C | RXBH-24A07C RXBH-1724A07C | |
| | | Heater Kit - 10kW/208-240/3 | RXBH-17A10C RXBH-1724A10C | RXBH-17A10C RXBH-1724A10C | RXBH-24A10C RXBH-1724A10C | RXBH-24A10C RXBH-1724A10C | |
| | | Heater Kit - 13kW/208-240/3 | RXBH-17A13C RXBH-1724A13C | RXBH-17A13C RXBH-1724A13C | N/A | N/A | |
| | | Heater Kit - 15kW/208-240/3 | N/A | RXBH-17A15C RXBH-1724A15C | RXBH-24A15C RXBH-1724A15C | RXBH-24A15C RXBH-1724A15C | |
| | | Heater Kit - 18kW/208-240/3 | N/A | RXBH-17A18C RXBH-1724A18C | RXBH-24A18C RXBH-1724A18C | RXBH-24A18C RXBH-1724A18C | |
| | | Heater Kit - 20kW/208-240/3 | N/A | N/A | N/A | RXBH-24A20C | |
| | | Heater Kit - 25kW/208-240/3 | N/A | N/A | N/A | RXBH-24A25C | |



Exploded View



Blower Assembly

NOTES

Stk It is recommended that stock be maintained for this part.
N/A Not Applicable