

This Owner's Manual is provided and hosted by [Appliance Factory Parts](http://Appliance Factory Parts).



# COMFORT-AIRE HFE1817GP-0A Owner's Manual

[Shop genuine replacement parts for COMFORT-AIRE  
HFE1817GP-0A](#)



[Find Your COMFORT-AIRE HVAC Parts - Select From 1486 Models](#)

----- Manual continues below -----

# HFE-GP

HEAT CONTROLLER, INC.

Parts List  
28-March-2012



*This parts list is current as of the above revision date.*

Form Number: 92-42810-HFE-GP

# Table of Contents

|                              |         |
|------------------------------|---------|
| Model Explanation .....      | Page 3  |
| Parts Numbers                |         |
| Panels - Miscellaneous ..... | Page 4  |
| Electrical Group .....       | Page 5  |
| Blower Group .....           | Page 6  |
| Coil Parts .....             | Page 7  |
| Heater Kits .....            | Page 7  |
| Drawings/Photographs         |         |
| Exploded View .....          | Page 8  |
| Blower Assembly .....        | Page 9  |
| Notes .....                  | Page 10 |

**MODEL NUMBER EXPLANATION**

|          |          |          |           |           |           |          |          |          |
|----------|----------|----------|-----------|-----------|-----------|----------|----------|----------|
| <b>H</b> | <b>F</b> | <b>E</b> | <b>24</b> | <b>17</b> | <b>EP</b> | <b>-</b> | <b>1</b> | <b>A</b> |
|          | 1        |          | 2         | 3         | 4         |          | 5        | 6        |

- |  |  |
|--|--|
| <p><b>1 HEAT CONTROLLER SERIES</b><br/>A/C OR HP, MULTI-POSITION<br/>(PSC MOTOR)</p> <p><b>2 CAPACITY</b><br/>18= 18,000 BTU/HR<br/>24= 24,000 BTU/HR<br/>30= 30,000 BTU/HR<br/>36= 36000 BTU/HR<br/>42= 42,000 BTU/HR<br/>48= 48,000 BTU/HR</p> | <p><b>3 CABINET SIZE</b><br/>17= 17.5 in.<br/>21= 21 in.<br/>24= 24.5 in.</p> <p><b>4 REFRIGERANT</b><br/>EP= R22<br/>GP= R410A</p> <p><b>5 VOLTAGE</b><br/>0= 115/1/60<br/>1= 208-240/1/60</p> <p><b>6 DESIGN VARIATION - A</b></p> |
|--|--|

**SERIAL NUMBER EXPLANATION**

|          |          |          |          |          |          |          |          |          |          |
|----------|----------|----------|----------|----------|----------|----------|----------|----------|----------|
| <b>M</b> | <b>0</b> | <b>7</b> | <b>0</b> | <b>1</b> | <b>9</b> | <b>9</b> | <b>9</b> | <b>9</b> | <b>9</b> |
| 1        | 2        |          | 3        |          | 4        |          |          |          |          |

- |   |                            |
|---|----------------------------|
| 1 | <b>PRODUCTION LOCATION</b> |
| 2 | <b>WEEK OF PRODUCTION</b>  |
| 3 | <b>YEAR OF PRODUCTION</b>  |
| 4 | <b>PRODUCTION NUMBER</b>   |

| No.                                       | Notes | MODEL                       | HFE                      | HFE          | HFE          | HFE          | HFE          | HFE          |
|---|-------|-----------------------------|--------------------------|--------------|--------------|--------------|--------------|--------------|
|   |       | CAPACITY                    | 18                       | 18           | 24           | 24           | 30           | 30           |
|   |       | CABINET SIZE                | 17                       | 17           | 17           | 17           | 17           | 17           |
|   |       | CONFIGURATION               | GP                       | GP           | GP           | GP           | GP           | GP           |
|   |       | VOLTAGE                     | 0                        | 1            | 0            | 1            | 0            | 1            |
|   |       | VARIATION                   | A                        | A            | A            | A            | A            | A            |
| <b>PANELS, SHEET METAL, MISCELLANEOUS</b> |       |                             |                          |              |              |              |              |              |
| 1   |       | Cabinet                     | AE-100682-01             | AE-100682-01 | AE-100682-01 | AE-100682-01 | AE-100682-01 | AE-100682-01 |
| 2   |       | Coil Door                   | AE-100685-22             | AE-100685-22 | AE-100685-22 | AE-100685-22 | AE-100685-22 | AE-100685-22 |
| 3   |       | Top Cover Plate             | AE-100686-01             | AE-100686-01 | AE-100686-01 | AE-100686-01 | AE-100686-01 | AE-100686-01 |
| 4   |       | Blower Door                 | AE-100684-21             | AE-100684-21 | AE-100684-21 | AE-100684-21 | AE-100684-21 | AE-100684-21 |
| 5   |       | Access Panel                | AE-101133-21             | AE-101133-21 | AE-101133-21 | AE-101133-21 | AE-101133-21 | AE-101133-21 |
| 6   |       | Drain Pan - Vertical        | See RCSL Coil Parts List |              |              |              |              |              |
| 7   |       | Drain Pan - Horizontal      | See RCSL Coil Parts List |              |              |              |              |              |
| 8   |       | Plate - Block Off           | AE-100455-01             | AE-100455-01 | AE-100455-01 | AE-100455-01 | AE-100455-01 | AE-100455-01 |
| 9   |       | Cabinet Brace               | AE-101134-02             | AE-101134-02 | AE-101134-02 | AE-101134-02 | AE-101134-02 | AE-101134-02 |
| 10  |       | Middle Brace                | AE-101054-01             | AE-101054-01 | AE-101054-01 | AE-101054-01 | AE-101054-01 | AE-101054-01 |
| 13a                                       |       | Heat Barrier                | AE-100683-02             | AE-100683-02 | AE-100683-02 | AE-100683-02 | AE-100683-03 | AE-100683-03 |
| 13b                                       |       | Heat Barrier Side (2)       | AE-104241-01             | AE-104241-01 | AE-104241-01 | AE-104241-01 | AE-104241-01 | AE-104241-01 |
|   |       | Insulation Retainer Rod (2) | 45-102868-02             | 45-102868-02 | 45-102868-02 | 45-102868-02 | 45-102868-02 | 45-102868-02 |

| No.                                       | Notes | MODEL                       | HFE                      | HFE          | HFE          | HFE          | HFE          | HFE          |
|---|-------|-----------------------------|--------------------------|--------------|--------------|--------------|--------------|--------------|
|   |       | CAPACITY                    | 36                       | 36           | 42           | 42           | 48           | 48           |
|   |       | CABINET SIZE                | 17                       | 17           | 21           | 21           | 21           | 21           |
|   |       | CONFIGURATION               | GP                       | GP           | GP           | GP           | GP           | GP           |
|   |       | VOLTAGE                     | 0                        | 1            | 0            | 1            | 0            | 1            |
|   |       | VARIATION                   | A                        | A            | A            | A            | A            | A            |
| <b>PANELS, SHEET METAL, MISCELLANEOUS</b> |       |                             |                          |              |              |              |              |              |
| 1   |       | Cabinet                     | AE-100682-01             | AE-100682-01 | AE-100682-03 | AE-100682-03 | AE-100682-03 | AE-100682-03 |
| 2   |       | Coil Door                   | AE-100685-22             | AE-100685-22 | AE-100685-24 | AE-100685-24 | AE-100685-24 | AE-100685-24 |
| 3   |       | Top Cover Plate             | AE-100686-01             | AE-100686-01 | AE-100686-02 | AE-100686-02 | AE-100686-02 | AE-100686-02 |
| 4   |       | Blower Door                 | AE-100684-21             | AE-100684-21 | AE-100684-22 | AE-100684-22 | AE-100684-22 | AE-100684-22 |
| 5   |       | Access Panel                | AE-101133-21             | AE-101133-21 | AE-101133-21 | AE-101133-21 | AE-101133-21 | AE-101133-21 |
| 6   |       | Drain Pan - Vertical        | See RCSL Coil Parts List |              |              |              |              |              |
| 7   |       | Drain Pan - Horizontal      | See RCSL Coil Parts List |              |              |              |              |              |
| 8   |       | Plate - Block Off           | AE-100455-01             | AE-100455-01 | AE-100455-01 | AE-100455-01 | AE-100455-01 | AE-100455-01 |
| 9   |       | Cabinet Brace               | AE-101134-02             | AE-101134-02 | AE-101134-03 | AE-101134-03 | AE-101134-03 | AE-101134-03 |
| 10  |       | Middle Brace                | AE-101054-01             | AE-101054-01 | AE-101054-02 | AE-101054-02 | AE-101054-02 | AE-101054-02 |
| 13a                                       |       | Heat Barrier                | AE-100683-03             | AE-100683-03 | AE-100683-06 | AE-100683-06 | AE-100683-06 | AE-100683-06 |
| 13b                                       |       | Heat Barrier Side (2)       | AE-104241-01             | AE-104241-01 | AE-104241-01 | AE-104241-01 | AE-104241-01 | AE-104241-01 |
|   |       | Insulation Retainer Rod (2) | 45-102868-02             | 45-102868-02 | 45-102868-03 | 45-102868-03 | 45-102868-03 | 45-102868-03 |

| No.              | Notes | MODEL  | HFE           | HFE           | HFE           | HFE           | HFE           | HFE           |
|------------------|-------|--|---------------|---------------|---------------|---------------|---------------|---------------|
|                  |       | CAPACITY   | 18            | 18            | 24            | 24            | 30            | 30            |
|                  |       | CABINET SIZE   | 17            | 17            | 17            | 17            | 17            | 17            |
|                  |       | CONFIGURATION  | GP            | GP            | GP            | GP            | GP            | GP            |
|                  |       | VOLTAGE  | 0             | 1             | 0             | 1             | 0             | 1             |
|                  |       | VARIATION  | A             | A             | A             | A             | A             | A             |
| ELECTRICAL GROUP |       |  |               |               |               |               |               |               |
| 17               | Stk   | Transformer  | 46-101944-02  | 46-101944-02  | 46-101944-02  | 46-101944-02  | 46-101944-02  | 46-101944-02  |
| 18               | Stk   | Control Board - Before M3807   | 47-100436-84A | 47-100436-84J | 47-100436-84A | 47-100436-84J | 47-100436-84A | 47-100436-84J |
| 18               | Stk   | Control Board - After M3807  | 47-100436-05  | 47-100436-05  | 47-100436-05  | 47-100436-05  | 47-100436-05  | 47-100436-05  |
|                  | Stk   | Fuse   | 44-101986-01  | 44-101986-01  | 44-101986-01  | 44-101986-01  | 44-101986-01  | 44-101986-01  |
|                  |       | Relay  | N/A           | N/A           | N/A           | N/A           | N/A           | N/A           |
|                  |       | Wiring Harness - Before M3807 4 Pin Molex to 2 stripped wires, 2 terminals | N/A           | 45-24371-43   | N/A           | 45-24371-43   | N/A           | 45-24371-43   |
|                  |       | Wiring Harness - Before M3807 5 Pin Molex to 5 stripped wires (For T-Stat) | 45-102645-01  | N/A           | 45-102645-01  | N/A           | 45-102645-01  | N/A           |
|                  |       | Wiring Harness - After M3807 5 Pin Molex to 3 stripped wires (For T-Stat)  | 45-102645-02  | N/A           | 45-102645-02  | N/A           | 45-102645-02  | N/A           |
|                  |       | Wiring Harness - After M3807 5 Pin Molex to 5 stripped wires               | N/A           | 45-102645-01  | N/A           | 45-102645-01  | N/A           | 45-102645-01  |
| 11               |       | Terminal Block   | 45-23222-02   | 45-23222-02   | 45-23222-02   | 45-23222-02   | 45-23222-02   | 45-23222-02   |

| No.              | Notes | MODEL  | HFE           | HFE           | HFE           | HFE           | HFE           | HFE           |
|------------------|-------|--|---------------|---------------|---------------|---------------|---------------|---------------|
|                  |       | CAPACITY   | 36            | 36            | 42            | 42            | 48            | 48            |
|                  |       | CABINET SIZE   | 17            | 17            | 21            | 21            | 21            | 21            |
|                  |       | CONFIGURATION  | GP            | GP            | GP            | GP            | GP            | GP            |
|                  |       | VOLTAGE  | 0             | 1             | 0             | 1             | 0             | 1             |
|                  |       | VARIATION  | A             | A             | A             | A             | A             | A             |
| ELECTRICAL GROUP |       |  |               |               |               |               |               |               |
| 17               | Stk   | Transformer  | 46-101944-02  | 46-101944-02  | 46-101944-02  | 46-101944-02  | 46-101944-02  | 46-101944-02  |
| 18               | Stk   | Control Board - Before M3807   | 47-100436-84A | 47-100436-84J | 47-100436-84A | 47-100436-84J | 47-100436-84A | 47-100436-84J |
| 18               | Stk   | Control Board - After M3807  | 47-100436-05  | 47-100436-05  | 47-100436-05  | 47-100436-05  | 47-100436-05  | 47-100436-05  |
|                  | Stk   | Fuse   | 44-101986-01  | 44-101986-01  | 44-101986-01  | 44-101986-01  | 44-101986-01  | 44-101986-01  |
|                  |       | Relay  | N/A           | N/A           | N/A           | N/A           | N/A           | N/A           |
|                  |       | Wiring Harness - Before M3807 4 Pin Molex to 2 stripped wires, 2 terminals | N/A           | 45-24371-43   | N/A           | 45-24371-43   | N/A           | 45-24371-43   |
|                  |       | Wiring Harness - Before M3807 5 Pin Molex to 5 stripped wires (For T-Stat) | 45-102645-01  | N/A           | 45-102645-01  | N/A           | 45-102645-01  | N/A           |
|                  |       | Wiring Harness - After M3807 5 Pin Molex to 3 stripped wires (For T-Stat)  | 45-102645-02  | N/A           | 45-102645-02  | N/A           | 45-102645-02  | N/A           |
|                  |       | Wiring Harness - After M3807 5 Pin Molex to 5 stripped wires               | N/A           | 45-102645-01  | N/A           | 45-102645-01  | N/A           | 45-102645-01  |
| 11               |       | Terminal Block   | 45-23222-02   | 45-23222-02   | 45-23222-02   | 45-23222-02   | 45-23222-02   | 45-23222-02   |

| No.              | Notes | MODEL  | HFE           |  |  |  |  |  |
|------------------|-------|--|---------------|--|--|--|--|--|
|                  |       | CAPACITY   | 48            |  |  |  |  |  |
|                  |       | CABINET SIZE   | 24            |  |  |  |  |  |
|                  |       | CONFIGURATION  | GP            |  |  |  |  |  |
|                  |       | VOLTAGE  | 1             |  |  |  |  |  |
|                  |       | VARIATION  | A             |  |  |  |  |  |
| ELECTRICAL GROUP |       |  |               |  |  |  |  |  |
| 17               | Stk   | Transformer  | 46-101944-02  |  |  |  |  |  |
| 18               | Stk   | Control Board - Before M3807   | 47-100436-84J |  |  |  |  |  |
| 18               | Stk   | Control Board - After M3807  | 47-100436-05  |  |  |  |  |  |
|                  | Stk   | Fuse   | 44-101986-01  |  |  |  |  |  |
|                  |       | Relay  | N/A           |  |  |  |  |  |
|                  |       | Wiring Harness - Before M3807 4 Pin Molex to 2 stripped wires, 2 terminals | 45-24371-43   |  |  |  |  |  |
|                  |       | Wiring Harness - Before M3807 5 Pin Molex to 5 stripped wires (For T-Stat) | N/A           |  |  |  |  |  |
|                  |       | Wiring Harness - After M3807 5 Pin Molex to 3 stripped wires (For T-Stat)  | N/A           |  |  |  |  |  |
|                  |       | Wiring Harness - After M3807 5 Pin Molex to 5 stripped wires               | 45-102645-01  |  |  |  |  |  |
| 11               |       | Terminal Block   | 45-23222-02   |  |  |  |  |  |

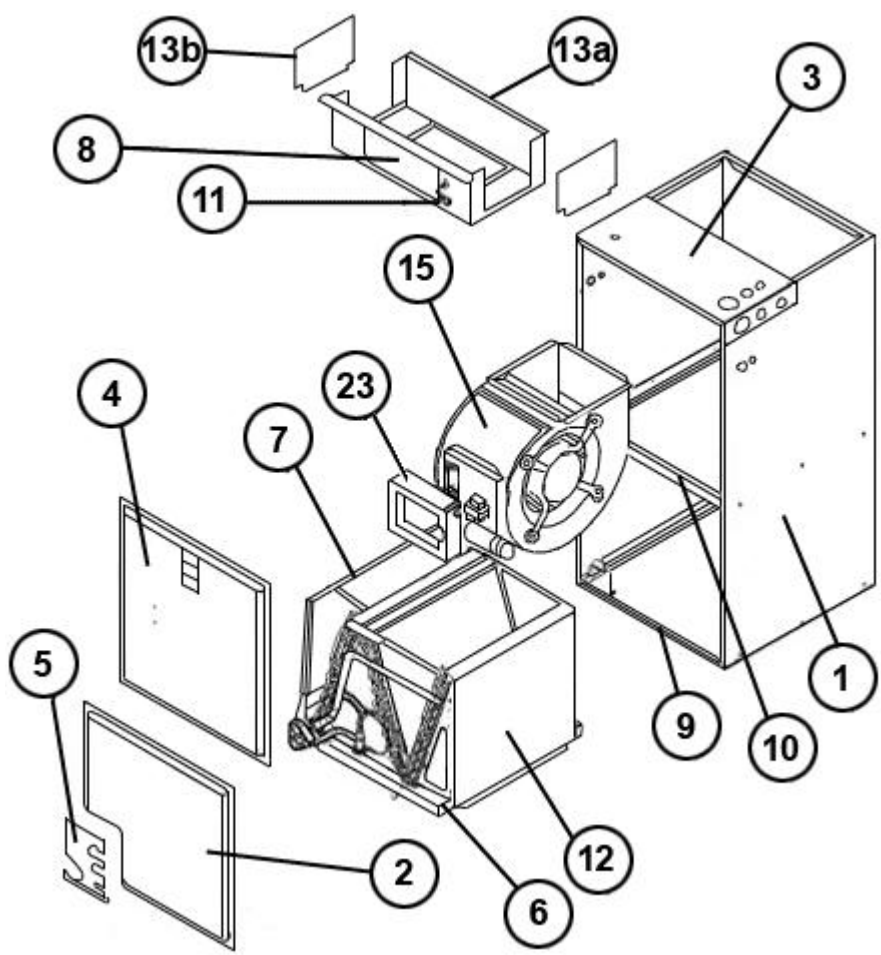
| No.                 | Notes | MODEL   | HFE                  | HFE          | HFE          | HFE          | HFE          | HFE          |
|---------------------|-------|---|----------------------|--------------|--------------|--------------|--------------|--------------|
|                     |       | CAPACITY  | 18                   | 18           | 24           | 24           | 30           | 30           |
|                     |       | CABINET SIZE  | 17                   | 17           | 17           | 17           | 17           | 17           |
|                     |       | CONFIGURATION   | GP                   | GP           | GP           | GP           | GP           | GP           |
|                     |       | VOLTAGE   | 0                    | 1            | 0            | 1            | 0            | 1            |
|                     |       | VARIATION   | A                    | A            | A            | A            | A            | A            |
| <b>BLOWER GROUP</b> |       |   |                      |              |              |              |              |              |
| 15                  | Stk   | Blower Assembly (Includes items 16-22)<br>-Before M3807 | AS-101929-81         | AS-101931-81 | AS-101929-82 | AS-101931-82 | AS-101929-83 | AS-101931-83 |
| 15                  | Stk   | Blower Assembly (Includes items 16-22) -After<br>M3807  | AS-101929-01         | AS-101931-01 | AS-101929-02 | AS-101931-02 | AS-101929-03 | AS-101931-03 |
| 16                  |       | Mounting Bracket - Control Board                        | AE-101049-01         | AE-101049-01 | AE-101049-01 | AE-101049-01 | AE-101049-01 | AE-101049-01 |
| 17                  |       | Transformer   | See Electrical Group |              |              |              |              |              |
| 18                  |       | Control Board   | See Electrical Group |              |              |              |              |              |
| 19                  |       | Blower Housing w/Wheel                                  | 70-101729-01         | 70-101729-01 | 70-101729-01 | 70-101729-01 | 70-101729-02 | 70-101729-02 |
|                     | Stk   | Blower Wheel  | 703012               | 703012       | 703012       | 703012       | 703014       | 703014       |
| 20                  |       | Motor Mount - Band                                      | 70-19927-04          | 70-19927-04  | 70-19927-04  | 70-19927-04  | 70-19927-04  | 70-19927-04  |
| 21                  |       | Motor Mount - Arm (4)                                   | 70-19929-10          | 70-19929-10  | 70-19929-10  | 70-19929-10  | 70-19929-10  | 70-19929-10  |
| 22                  | Stk   | Blower Motor (PSC)                                      | 51-102175-01         | 51-101728-01 | 51-102175-02 | 51-102500-07 | 51-102175-03 | 51-101728-03 |
|                     | Stk   | Capacitor - Blower Motor                                | 43-101666-55         | 43-101666-55 | 43-100510-58 | 43-101666-55 | 43-100510-56 | 43-100510-56 |
|                     |       | Capacitor Strap   | AE-50892-12          | AE-50892-12  | AE-50892-12  | AE-50892-12  | AE-50892-12  | AE-50892-12  |

| No.                 | Notes | MODEL   | HFE                  | HFE          | HFE          | HFE          | HFE          | HFE          |
|---------------------|-------|---|----------------------|--------------|--------------|--------------|--------------|--------------|
|                     |       | CAPACITY  | 36                   | 36           | 42           | 42           | 48           | 48           |
|                     |       | CABINET SIZE  | 17                   | 17           | 21           | 21           | 21           | 21           |
|                     |       | CONFIGURATION   | GP                   | GP           | GP           | GP           | GP           | GP           |
|                     |       | VOLTAGE   | 0                    | 1            | 0            | 1            | 0            | 1            |
|                     |       | VARIATION   | A                    | A            | A            | A            | A            | A            |
| <b>BLOWER GROUP</b> |       |   |                      |              |              |              |              |              |
| 15                  | Stk   | Blower Assembly (Includes items 16-22)<br>-Before M3807 | AS-101929-84         | AS-101931-84 | AS-101929-85 | AS-101931-85 | AS-101929-86 | AS-101931-86 |
| 15                  | Stk   | Blower Assembly (Includes items 16-22) -After<br>M3807  | AS-101929-04         | AS-101931-04 | AS-101929-05 | AS-101931-05 | AS-101929-06 | AS-101931-06 |
| 16                  |       | Mounting Bracket - Control Board                        | AE-101049-01         | AE-101049-01 | AE-101049-01 | AE-101049-01 | AE-101049-01 | AE-101049-01 |
| 17                  |       | Transformer   | See Electrical Group |              |              |              |              |              |
| 18                  |       | Control Board   | See Electrical Group |              |              |              |              |              |
| 19                  |       | Blower Housing w/Wheel                                  | 70-101729-02         | 70-101729-02 | 70-101729-03 | 70-101729-03 | 70-101729-03 | 70-101729-03 |
|                     | Stk   | Blower Wheel  | 703014               | 703014       | 703013       | 703013       | 703013       | 703013       |
| 20                  |       | Motor Mount - Band                                      | 70-19927-04          | 70-19927-04  | 70-19927-04  | 70-19927-04  | 70-19927-04  | 70-19927-04  |
| 21                  |       | Motor Mount - Arm (4)                                   | 70-19929-10          | 70-19929-10  | 70-19929-10  | 70-19929-10  | 70-19929-10  | 70-19929-10  |
| 22                  | Stk   | Blower Motor (PSC)                                      | 51-102175-04         | 51-101728-04 | 51-102175-05 | 51-101728-05 | 51-102175-06 | 51-101728-06 |
|                     | Stk   | Capacitor - Blower Motor                                | 43-100509-43         | 43-100509-43 | 43-101666-57 | 43-101666-57 | 43-101666-57 | 43-101666-57 |
|                     |       | Capacitor Strap   | AE-50892-12          | AE-50892-12  | AE-50892-12  | AE-50892-12  | AE-50892-12  | AE-50892-12  |

| No.                 | Notes | MODEL  | HFE                  |  |  |  |  |  |
|---------------------|-------|--|----------------------|--|--|--|--|--|
|                     |       | CAPACITY   | 48                   |  |  |  |  |  |
|                     |       | CABINET SIZE   | 24                   |  |  |  |  |  |
|                     |       | CONFIGURATION  | GP                   |  |  |  |  |  |
|                     |       | VOLTAGE  | 1                    |  |  |  |  |  |
|                     |       | VARIATION  | A                    |  |  |  |  |  |
| <b>BLOWER GROUP</b> |       |  |                      |  |  |  |  |  |
| 15                  | Stk   | Blower Assembly (Includes items 16-22)<br>Before M3807 | AS-101931-86         |  |  |  |  |  |
| 15                  | Stk   | Blower Assembly (Includes items 16-22) After<br>M3807  | AS-101931-06         |  |  |  |  |  |
| 16                  |       | Mounting Bracket - Control Board                       | AE-101049-01         |  |  |  |  |  |
| 17                  |       | Transformer  | See Electrical Group |  |  |  |  |  |
| 18                  |       | Control Board  | See Electrical Group |  |  |  |  |  |
| 19                  |       | Blower Housing w/Wheel                                 | 70-101729-03         |  |  |  |  |  |
|                     | Stk   | Blower Wheel   | 703013               |  |  |  |  |  |
| 20                  |       | Motor Mount - Band                                     | 70-19927-04          |  |  |  |  |  |
| 21                  |       | Motor Mount - Arm (4)                                  | 70-19929-10          |  |  |  |  |  |
| 22                  | Stk   | Blower Motor (PSC)                                     | 51-101728-06         |  |  |  |  |  |
|                     | Stk   | Capacitor - Blower Motor                               | 43-101666-57         |  |  |  |  |  |
|                     |       | Capacitor Strap  | AE-50892-12          |  |  |  |  |  |

| No.               | Notes | MODEL<br>CAPACITY<br>CABINET SIZE<br>VOLTAGE       | HFE<br>18/24<br>17<br>0/1           | HFE<br>30/36<br>17<br>0/1 | HFE<br>36<br>21<br>1    | HFE<br>42/48<br>21<br>0/1 | HFE<br>48<br>24<br>1    |  |
|-------------------|-------|--|-------------------------------------|---------------------------|-------------------------|---------------------------|-------------------------|--|
| <b>COIL GROUP</b> |       |  |                                     |                           |                         |                           |                         |  |
| 12                |       | Replacement Coil w/TXV -<br>Before Date Code Shown | RCSL-HM2417AU<br>(4009)             | RCSL-HM3617AU<br>(0809)   | RCSL-HM3621AU<br>(0809) | RCSL-HM4821AU<br>(2309)   | RCSL-HM4824AU<br>(0809) |  |
| 12                |       | Replacement Coil w/TXV -<br>After Date Code Shown  | RCSL-HU2417CU<br>(4009)             | RCSL-HU3617CU<br>(0809)   | RCSL-HM3621AU<br>(0809) | RCSL-HU4821CU<br>(2309)   | RCSL-HM4824AU<br>(0809) |  |
|                   |       | Horizontal Adapter Kit                             | RXHH-A02                            | RXHH-A03                  | RXHH-A03                | RXHH-A04                  | N/A                     |  |
|                   |       | Drain Pan  | See specified RC SL Coil Parts List |                           |                         |                           |                         |  |
|                   |       | TXV  | See specified RC SL Coil Parts List |                           |                         |                           |                         |  |

| No.                | Notes | MODEL<br>CAPACITY<br>CABINET SIZE<br>VOLTAGE | HFE<br>18/24<br>17<br>0/1                                      | HFE<br>30/36<br>17<br>0/1                                      | HFE<br>36<br>21<br>1   | HFE<br>42/48<br>21/24<br>0/1                                   |  |
|--------------------|-------|--|--|--|--|--|--|
| <b>HEATER KITS</b> |       |  |  |  |  |  |  |
|                    |       | Heater Kit - 3kW/208-240/1                   | RXBH-17A03J<br>RXBH-1724A03J<br>RXBH-1724B03J<br>RXBH-1724C03J | RXBH-17A03J<br>RXBH-1724A03J<br>RXBH-1724B03J<br>RXBH-1724C03J | N/A  | N/A  |  |
|                    |       | Heater Kit - 5kW/208-240/1                   | RXBH-17A05J<br>RXBH-1724A05J<br>RXBH-1724B05J<br>RXBH-1724C05J | RXBH-17A05J<br>RXBH-1724A05J<br>RXBH-1724B05J<br>RXBH-1724C05J | RXBH-24A05J<br>RXBH-1724A05J<br>RXBH-1724B05J<br>RXBH-1724C05J | RXBH-24A05J<br>RXBH-1724A05J<br>RXBH-1724B05J<br>RXBH-1724C05J |  |
|                    |       | Heater Kit - 7kW/208-240/1                   | RXBH-17A07J<br>RXBH-1724A07J<br>RXBH-1724B07J<br>RXBH-1724C07J | RXBH-17A07J<br>RXBH-1724A07J<br>RXBH-1724B07J<br>RXBH-1724C07J | RXBH-24A07J<br>RXBH-1724A07J<br>RXBH-1724B07J<br>RXBH-1724C07J | RXBH-24A07J<br>RXBH-1724A07J<br>RXBH-1724B07J<br>RXBH-1724C07J |  |
|                    |       | Heater Kit - 10kW/208-240/1                  | RXBH-17A10J<br>RXBH-1724A10J<br>RXBH-1724B10J<br>RXBH-1724C10J | RXBH-17A10J<br>RXBH-1724A10J<br>RXBH-1724B10J<br>RXBH-1724C10J | RXBH-24A10J<br>RXBH-1724A10J<br>RXBH-1724B10J<br>RXBH-1724C10J | RXBH-24A10J<br>RXBH-1724A10J<br>RXBH-1724B10J<br>RXBH-1724C10J |  |
|                    |       | Heater Kit - 13kW/208-240/1                  | RXBH-17A13J<br>RXBH-1724A13J                                   | RXBH-17A13J<br>RXBH-1724A13J                                   | N/A  | N/A  |  |
|                    |       | Heater Kit - 15kW/208-240/1                  | N/A  | RXBH-17A15J<br>RXBH-1724A15J                                   | RXBH-24A15J<br>RXBH-1724A15J                                   | RXBH-24A15J<br>RXBH-1724A15J                                   |  |
|                    |       | Heater Kit - 18kW/208-240/1                  | N/A  | RXBH-17A18J<br>RXBH-1724A18J                                   | RXBH-24A18J<br>RXBH-1724A18J                                   | RXBH-24A18J<br>RXBH-1724A18J                                   |  |
|                    |       | Heater Kit - 20kW/208-240/1                  | N/A  | N/A  | N/A  | RXBH-24A20J  |  |
|                    |       | Heater Kit - 25kW/208-240/1                  | N/A  | N/A  | N/A  | RXBH-24A25J  |  |
|                    |       | Heater Kit - 7kW/208-240/3                   | RXBH-17A07C<br>RXBH-1724A07C                                   | RXBH-17A07C<br>RXBH-1724A07C                                   | RXBH-24A07C<br>RXBH-1724A07C                                   | RXBH-24A07C<br>RXBH-1724A07C                                   |  |
|                    |       | Heater Kit - 10kW/208-240/3                  | RXBH-17A10C<br>RXBH-1724A10C                                   | RXBH-17A10C<br>RXBH-1724A10C                                   | RXBH-24A10C<br>RXBH-1724A10C                                   | RXBH-24A10C<br>RXBH-1724A10C                                   |  |
|                    |       | Heater Kit - 13kW/208-240/3                  | RXBH-17A13C<br>RXBH-1724A13C                                   | RXBH-17A13C<br>RXBH-1724A13C                                   | N/A  | N/A  |  |
|                    |       | Heater Kit - 15kW/208-240/3                  | N/A  | RXBH-17A15C<br>RXBH-1724A15C                                   | RXBH-24A15C<br>RXBH-1724A15C                                   | RXBH-24A15C<br>RXBH-1724A15C                                   |  |
|                    |       | Heater Kit - 18kW/208-240/3                  | N/A  | RXBH-17A18C<br>RXBH-1724A18C                                   | RXBH-24A18C<br>RXBH-1724A18C                                   | RXBH-24A18C<br>RXBH-1724A18C                                   |  |
|                    |       | Heater Kit - 20kW/208-240/3                  | N/A  | N/A  | N/A  | RXBH-24A20C  |  |
|                    |       | Heater Kit - 25kW/208-240/3                  | N/A  | N/A  | N/A  | RXBH-24A25C  |  |



Exploded View



Blower Assembly

# NOTES

Stk It is recommended that stock be maintained for this part.  
N/A Not Applicable