

HEAT CONTROLLER, INC.

HRE13

Parts List
09-March-2012



This parts list is current as of the above revision date.

Form Number: 92-42810-HRE13

Table of Contents

Model Explanation	Page 3
Parts Numbers	
Panels - Miscellaneous (1)	Page 4
Panels - Miscellaneous (2)	Page 5
Electrical-Fan Group	Page 6
Coil Parts	Page 7
Compressor Group (Single Phase) 1	Page 8
Compressor Group (Single Phase) 2	Page 9
Compressor Group (Three Phase) 1	Page 10
Compressor Group (Three Phase) 2	Page 11
Accessories	Page 12
Drawings/Photographs	
Exploded View	Page 13
Control Box Assembly	Page 14
Valve Mounting Detail	Page 15
Notes	Page 16

MODEL NUMBER EXPLANATION

H	R	E	1	3	1	8	-	1	A
1				2		3			

- (1) **SERIES**
- (2) **COOLING CAPACITY (BTU/HR)**
 - 18= 18,000
 - 24= 24,000
 - 30= 30,000
 - 36= 36,000
 - 42= 42,000
 - 48= 48,000
 - 60= 60,000

- (3) **OPTIONS**

SERIAL NUMBER EXPLANATION

7	0	9	2	M	0	7	0	1	9	9	9	9	9
1				2	3		4		5				

- (1) **COMPRESSOR IDENTIFICATION NUMBER**
- (2) **PRODUCTION LOCATION**
- (3) **WEEK OF PRODUCTION**
- (4) **YEAR OF PRODUCTION**
- (5) **PRODUCTION NUMBER**

No.	Notes	MODEL COOLING CAPACITY VARIATION	HRE13	HRE13	HRE13	HRE13	HRE13	HRE13	HRE13
			18 1A/1N	24 1A/1N	30 1A/1N	36 1A/1N	42 1A/1N	48 1A/1N	60 1A/1N
SHEET METAL PARTS, MISCELLANEOUS									
1		Cabinet	AE-100726-31	AE-100726-32	AE-100726-33	AE-100726-34	AE-100726-34	AE-100726-34	AE-100726-34
2		Cabinet Panel	AE-100727-31	AE-100727-32	AE-100727-33	AE-100727-34	AE-100727-34	AE-100727-34	AE-100727-34
3		Base Pan (Before Date Code 1207)	AS-100058-01	AS-100058-02	AS-100058-03	AS-100058-03	AS-100058-03	AS-100058-03	AS-100058-03
3		Base Pan (After Date Code 1207)	AS-100058-01	AS-100058-02	AE-101588-03	AE-101588-03	AE-101588-03	AE-101588-03	AE-101588-03
4		Control Box - 2 inch diameter capacitor	AE-100654-31	AE-100654-31	AE-100654-31	AE-100654-33	N/A	N/A	N/A
4		Control Box - 2-1/2 inch diameter capacitor	N/A	N/A	N/A	AE-100654-34	AE-100654-34	AE-100654-34	AE-100654-34
5		Control Box Cover	AE-100657-31	AE-100657-31	AE-100657-31	AE-100657-31	AE-100657-31	AE-100657-31	AE-100657-31
6		Top Panel - Before Date Code 1207 (Private Label Gray)	N/A	N/A	AE-100652-04	AE-100652-04	AE-100652-04	AE-100652-04	AE-100652-04
6		Top Panel - After Date Code 1207 (ICECO Gray)	N/A	N/A	AE-100652-03	AE-100652-03	AE-100652-03	AE-100652-03	AE-100652-03
6		Top Panel - After Date Code 1207 (Private Label Gray)	N/A	N/A	AE-100652-33	AE-100652-33	AE-100652-33	AE-100652-33	AE-100652-33
6		Top Panel - ICECO Gray	AE-100652-01	AE-100652-02	N/A	N/A	N/A	N/A	N/A
6		Top Panel - Private Label Gray	AE-100652-31	AE-100652-32	N/A	N/A	N/A	N/A	N/A
8		Grille (Before Date Code 1207)	95-100906-01	95-100906-03	95-100905-02	95-100905-02	95-100905-02	95-100905-02	95-100905-02
8		Grille (After Date Code 1207)	95-100906-01	95-100906-03	95-100906-04	95-100906-04	95-100906-04	95-100906-04	95-100906-04
		Center Cap - Blank (for Grille)	91-101123-09	91-101123-09	91-101123-09	91-101123-09	91-101123-09	91-101123-09	91-101123-09
12		Valve Mounting Panel	AE-57780-01	AE-57780-01	AE-57780-01	AE-100185-31	AE-100185-31	AE-100185-31	AE-100185-31
15		Service Valve - Suction	See Coil Group						
16		Service Valve - Liquid	See Coil Group						
19		Low Voltage Cover	AE-57756-01	AE-57756-01	AE-57756-01	AE-57756-01	AE-57756-01	AE-57756-01	AE-57756-01
		Touch-up Paint - ICECO Gray (Aerosol)	523009	523009	523009	523009	523009	523009	523009
		Touch-up Paint - ICECO Gray (Paint Pens)	523011	523011	523011	523011	523011	523011	523011
		Touch-up Paint - Private Label Gray (Aerosol)	523014	523014	523014	523014	523014	523014	523014
		Touch-up Paint - Private Label Gray (Paint Pens)	523015	523015	523015	523015	523015	523015	523015

No.	Notes	MODEL COOLING CAPACITY VARIATION	HRE13	HRE13	HRE13	HRE13	HRE13	HRE13	HRE13
			36 3A/3N	42 3A/3N	48 3A/3N	60 3A/3N	36 4A/4N	42 4A/4N	48 4A/4N
SHEET METAL PARTS, MISCELLANEOUS									
1		Cabinet	AE-100726-34	AE-100726-34	AE-100726-34	AE-100726-34	AE-100726-34	AE-100726-34	AE-100726-34
2		Cabinet Panel	AE-100727-34	AE-100727-34	AE-100727-34	AE-100727-34	AE-100727-34	AE-100727-34	AE-100727-34
3		Base Pan	AE-101588-03	AE-101588-03	AE-101588-03	AE-101588-03	AE-101588-03	AE-101588-03	AE-101588-03
4		Control Box	AE-100654-33	AE-100654-33	AE-100654-33	AE-100654-33	AE-100654-33	AE-100654-33	AE-100654-33
5		Control Box Cover	AE-100657-31	AE-100657-31	AE-100657-31	AE-100657-31	AE-100657-31	AE-100657-31	AE-100657-31
6		Top Panel - ICECO Gray	AE-100652-03	AE-100652-03	AE-100652-03	AE-100652-03	AE-100652-03	AE-100652-03	AE-100652-03
6		Top Panel - Private Label Gray	AE-100652-33	AE-100652-33	AE-100652-33	AE-100652-33	AE-100652-33	AE-100652-33	AE-100652-33
8		Grille	95-100906-04	95-100906-04	95-100906-04	95-100906-04	95-100906-04	95-100906-04	95-100906-04
		Center Cap - Blank (for Grille)	91-101123-09	91-101123-09	91-101123-09	91-101123-09	91-101123-09	91-101123-09	91-101123-09
12		Valve Mounting Panel	AE-100185-31	AE-100185-31	AE-100185-31	AE-100185-31	AE-100185-31	AE-100185-31	AE-100185-31
15		Service Valve - Suction	See Coil Group						
16		Service Valve - Liquid	See Coil Group						
19		Low Voltage Cover	AE-57756-01	AE-57756-01	AE-57756-01	AE-57756-01	AE-57756-01	AE-57756-01	AE-57756-01
		Touch-up Paint - ICECO Gray (Aerosol)	523009	523009	523009	523009	523009	523009	523009
		Touch-up Paint - ICECO Gray (Paint Pens)	523011	523011	523011	523011	523011	523011	523011
		Touch-up Paint - Private Label Gray (Aerosol)	523014	523014	523014	523014	523014	523014	523014
		Touch-up Paint - Private Label Gray (Paint Pens)	523015	523015	523015	523015	523015	523015	523015

No.	Notes	MODEL COOLING CAPACITY VARIATION	HRE13	HRE13	HRE13				
			60 4A/4N	48 5A	60 5A				
SHEET METAL PARTS, MISCELLANEOUS									
1		Cabinet	AE-100726-34	AE-100726-34	AE-100726-34				
2		Cabinet Panel	AE-100727-34	AE-100727-34	AE-100727-34				
3		Base Pan	AE-101588-03	AE-101588-03	AE-101588-03				
4		Control Box	AE-100654-33	AE-100654-33	AE-100654-33				
5		Control Box Cover	AE-100657-31	AE-100657-31	AE-100657-31				
6		Top Panel - ICECO Gray	AE-100652-03	AE-100652-03	AE-100652-03				
6		Top Panel - Private Label Gray	AE-100652-33	AE-100652-33	AE-100652-33				
8		Grille	95-100906-04	95-100906-04	95-100906-04				
		Center Cap - Blank (for Grille)	91-101123-09	91-101123-09	91-101123-09				
12		Valve Mounting Panel	AE-100185-31	AE-100185-31	AE-100185-31				
15		Service Valve - Suction						See Coil Group	
16		Service Valve - Liquid						See Coil Group	
19		Low Voltage Cover	AE-57756-01	AE-57756-01	AE-57756-01				
		Touch-up Paint - ICECO Gray (Aerosol)	523009	523009	523009				
		Touch-up Paint - ICECO Gray (Paint Pens)	523011	523011	523011				
		Touch-up Paint - Private Label Gray (Aerosol)	523014	523014	523014				
		Touch-up Paint - Private Label Gray (Paint Pens)	523015	523015	523015				

No.	Notes	MODEL COOLING CAPACITY VARIATION	HRE13 18 1A/1N	HRE13 24 1A/1N	HRE13 30 1A/1N	HRE13 36 1A/1N	HRE13 42 1A/1N	HRE13 48 1A/1N	HRE13 60 1A/1N
ELECTRICAL/FAN GROUP									
7	Stk	Fan Motor	51-101774-04	51-101774-02	51-101774-02	51-102008-07	51-102008-07	51-102008-07	51-102008-07
9	Stk,1	Fan Blade - See Note 1	70-100580-05	70-100580-02	70-100580-03	70-100580-04	70-100580-04	70-100580-04	70-100580-04
9	1	Fan Blade - See Note 1	N/A	N/A	N/A	70-102011-04	70-102011-04	70-102011-04	70-102011-04
17	Stk	Defrost Control Board	47-21517-16	47-21517-16	47-21517-16	47-21517-16	47-21517-16	47-21517-16	47-21517-16
18	Stk	Contactora	42-42139-05	42-42139-05	42-42139-05	42-42139-05	42-42139-05	42-42478-02	42-42478-02
19		Low Voltage Cover	See Panels - Miscellaneous						
20		Control Box Bottom	AE-100655-01	AE-100655-01	AE-100655-01	AE-100655-01	AE-100655-01	AE-100655-01	AE-100655-01
21		Capacitor - Compressor/Fan	See Compressor Group						
25		Low Ambient Control	See Accessories Group						

No.	Notes	MODEL COOLING CAPACITY VARIATION	HRE13 36 3A/3N	HRE13 42 3A/3N	HRE13 48 3A/3N	HRE13 60 3A/3N			
ELECTRICAL/FAN GROUP									
7	Stk	Fan Motor	51-102008-07	51-102008-07	51-102008-07	51-102008-07			
9	Stk	Fan Blade	70-102011-10	70-102011-10	70-102011-04	70-102011-04			
17	Stk	Defrost Control Board	47-21517-16	47-21517-16	47-21517-16	47-21517-16			
18	Stk	Contactora	42-22464-03	42-22464-03	42-22464-03	42-22464-03			
19		Low Voltage Cover	See Panels - Miscellaneous						
20		Control Box Bottom	AE-100655-01	AE-100655-01	AE-100655-01	AE-100655-01			
21		Capacitor - Fan	See Compressor Group						
25		Low Ambient Control	See Accessories Group						

No.	Notes	MODEL COOLING CAPACITY VARIATION	HRE13 36 4A/4N	HRE13 42 4A/4N	HRE13 48 4A/4N	HRE13 60 4A/4N			
ELECTRICAL/FAN GROUP									
7	Stk	Fan Motor	51-101774-05	51-101774-05	51-101774-05	51-101774-05			
9	Stk	Fan Blade	70-102011-10	70-102011-10	70-102011-10	70-102011-10			
		Fan Relay	42-19736-02	42-19736-02	42-19736-02	42-19736-02			
17	Stk	Defrost Control Board	47-21517-16	47-21517-16	47-21517-16	47-21517-16			
18	Stk	Contactora	42-22464-03	42-22464-03	42-22464-03	42-22464-03			
19		Low Voltage Cover	See Panels - Miscellaneous						
20		Control Box Bottom	AE-100655-01	AE-100655-01	AE-100655-01	AE-100655-01			
21		Capacitor - Fan	See Compressor Group						
25		Low Ambient Control	See Accessories Group						

No.	Notes	MODEL COOLING CAPACITY VARIATION	HRE13 48 5A	HRE13 60 5A					
ELECTRICAL/FAN GROUP									
7	Stk	Fan Motor	51-101774-10	51-101774-10					
9	Stk	Fan Blade	70-102011-10	70-102011-10					
		Fan Relay	42-19736-02	42-19736-02					
17	Stk	Defrost Control Board	47-21517-16	47-21517-16					
18	Stk	Contactora	42-22464-03	42-22464-03					
19		Low Voltage Cover	See Panels - Miscellaneous						
20		Control Box Bottom	AE-100655-01	AE-100655-01					
21		Capacitor - Fan	See Compressor Group						
25		Low Ambient Control	See Accessories Group						

No.	Notes	MODEL COOLING CAPACITY VARIATION	HRE13 18 1A/1N	HRE13 24 1A/1N	HRE13 30 1A/1N	HRE13 36 1A/1N	HRE13 42 1A/1N	HRE13 48 1A/1N	HRE13 60 1A/1N
COIL GROUP									
11	Stk	Condenser Coil	AS-101766-03	AS-101767-03	AS-101768-03	AS-101760-03	AS-101760-03	AS-102099-03	AS-101771-01
13		Valve Mounting Bracket	AE-57781-01	AE-57781-01	AE-57781-01	AE-57781-02	AE-57781-02	AE-57781-02	AE-57781-02
		Bulkhead Valve	61-22369-04	61-22369-04	61-22369-04	61-22369-04	61-22369-04	61-22369-04	61-22369-04
		Distributor - 2 Way	83-17467-03	83-17467-03	N/A	N/A	N/A	N/A	N/A
	Stk	Reversing Valve	61-102331-04	61-102331-04	61-101684-02	61-101684-02	61-101684-02	61-101684-03	61-101684-03
		Solenoid Coil - Reversing Valve (Before Date Code 2808)	61-101713-01	61-101713-01	61-101713-01	61-101713-01	61-101713-01	61-101713-01	61-101713-01
	Stk	Solenoid Coil - Reversing Valve (After Date Code 2808)	61-101713-92	61-101713-92	61-101713-92	61-101713-92	61-101713-92	61-101713-92	61-101713-92
		Wiring Harness - Reversing Valve	61-26149-03	61-26149-03	61-26149-03	61-26149-03	61-26149-03	61-26149-03	61-26149-03
14		Service Valve - Suction (3/4 in. to 3/4 in.)	61-21368-07	61-21368-07	61-21368-07	N/A	N/A	N/A	N/A
14		Service Valve - Suction (5/8 in. to 3/4 in.)	61-21368-23	61-21368-23	N/A	N/A	N/A	N/A	N/A
14		Service Valve - Suction (3/4 in. to 7/8 in.)	N/A	N/A	N/A	61-21368-22	61-21368-22	N/A	N/A
14		Service Valve - Suction (7/8 in. to 7/8 in.)	N/A	N/A	N/A	N/A	N/A	61-21368-08	61-21368-08
15		Service Valve - Liquid	61-21368-05	61-21368-05	61-21368-05	61-21368-05	61-21368-05	61-21368-05	61-21368-05
	Stk	TXV/Distributor Assembly	61-102068-01	61-102068-02	61-102068-03	61-102068-04	61-102068-05	61-102068-06	61-102068-07
		Strainer	83-25316-02	83-25316-02	83-25316-02	83-25316-02	83-25316-02	83-25316-02	83-25316-02
	Stk	Filter Drier	83-25152-03	83-25152-03	83-25152-03	83-25152-03	83-25152-03	83-25152-03	83-25152-03
		Muffler	See Compressor Group						

No.	Notes	MODEL COOLING CAPACITY VARIATION	HRE13 36 3A/3N	HRE13 42 3A/3N	HRE13 48 3A/3N	HRE13 60 3A/3N	HRE13 36 4A/4N	HRE13 42 4A/4N	HRE13 48 4A/4N
COIL GROUP									
11	Stk	Condenser Coil	AS-101760-03	AS-101760-03	AS-102099-03	AS-101771-01	AS-101760-03	AS-101760-03	AS-102099-03
13		Valve Mounting Bracket	AE-57781-02	AE-57781-02	AE-57781-02	AE-57781-02	AE-57781-02	AE-57781-02	AE-57781-02
		Bulkhead Valve	61-22369-04	61-22369-04	61-22369-04	61-22369-04	61-22369-04	61-22369-04	61-22369-04
	Stk	Reversing Valve	61-101684-02	61-101684-02	61-101684-03	61-101684-03	61-101684-02	61-101684-02	61-101684-03
		Solenoid Coil - Reversing Valve (Before Date Code 2808)	61-101713-01	61-101713-01	61-101713-01	61-101713-01	61-101713-01	61-101713-01	61-101713-01
	Stk	Solenoid Coil - Reversing Valve (After Date Code 2808)	61-101713-92	61-101713-92	61-101713-92	61-101713-92	61-101713-92	61-101713-92	61-101713-92
		Wiring Harness - Reversing Valve	61-26149-03	61-26149-03	61-26149-03	61-26149-03	61-26149-03	61-26149-03	61-26149-03
14		Service Valve - Suction	61-21368-22	61-21368-22	61-21368-08	61-21368-08	61-21368-22	61-21368-22	61-21368-08
15		Service Valve - Liquid	61-21368-05	61-21368-05	61-21368-05	61-21368-05	61-21368-05	61-21368-05	61-21368-05
	Stk	TXV/Distributor Assembly	61-102068-04	61-102068-05	61-102068-06	61-102068-07	61-102068-04	61-102068-05	61-102068-06
	Stk	Filter Drier	83-25152-03	83-25152-03	83-25152-03	83-25152-03	83-25152-03	83-25152-03	83-25152-03
		Muffler	See Compressor Group						

No.	Notes	MODEL COOLING CAPACITY VARIATION	HRE13 60 4A/4N	HRE13 48 5A	HRE13 60 5A				
COIL GROUP									
11	Stk	Condenser Coil	AS-101771-01	AS-102099-03	AS-101771-01				
13		Valve Mounting Bracket	AE-57781-02	AE-57781-02	AE-57781-02				
		Bulkhead Valve	61-22369-04	61-22369-04	61-22369-04				
	Stk	Reversing Valve	61-101684-03	61-101684-03	61-101684-03				
		Solenoid Coil - Reversing Valve (Before Date Code 2808)	61-101713-01	61-101713-01	61-101713-01				
	Stk	Solenoid Coil - Reversing Valve (After Date Code 2808)	61-101713-92	61-101713-92	61-101713-92				
		Wiring Harness - Reversing Valve	61-26149-03	61-26149-03	61-26149-03				
14		Service Valve - Suction	61-21368-08	61-21368-08	61-21368-08				
15		Service Valve - Liquid	61-21368-05	61-21368-05	61-21368-05				
	Stk	TXV/Distributor Assembly	61-102068-07	61-102068-06	61-102068-07				
	Stk	Filter Drier	83-25152-03	83-25152-03	83-25152-03				
		Muffler	See Compressor Group						

No.	Notes	MODEL COOLING CAPACITY VARIATION	HRE13 18 1A	HRE13 24 1A	HRE13 30 1A	HRE13 36 1A
COMPRESSOR GROUP						
IMPORTANT NOTE: Replacement Compressors MUST be selected using the Compressor ID from the unit's Serial Number. Do not interchange compressors from other Compressor ID's used on the model. See Note 2 and cross-references below for information regarding retrofit of Bristol reciprocating compressors with Copeland scroll compressors.						
		Compressor ID:	7328	7329	7679/7330	7680/7331
10	2	Original Compressor - See Note 2	55-101545-12S	55-101545-13S	55-101545-14S	55-101545-09S
10	Stk,2	Replacement Compressor (Retrofit Kit Required) - See Note 2	55-100835-45S	55-100835-13S	55-100835-16S	55-100835-23S
	Stk,2	Retrofit Kit - See Note 2	831009	831010	831011	831012
21	Stk	Capacitor - Fan/Compressor	43-101665-44	43-101665-44	43-101665-44	43-26261-46
	Stk	Muffler/Check Valve	83-101828-01	83-101828-01	83-101828-01	83-101828-01
		Compressor ID:	7730	7731		
10	2	Original Compressor - See Note 2	55-101545-27S	55-101545-29S		
10	Stk,2	Replacement Compressor (Retrofit Kit Required) - See Note 2	55-100835-45S	55-100835-13S		
	Stk,2	Retrofit Kit - See Note 2	831009	831010		
21	Stk	Capacitor - Fan/Compressor	43-101665-44	43-101665-44		
	Stk	Muffler/Check Valve	83-101828-01	83-101828-01		
		Compressor ID:	7659	7660	7661	7662
10	Stk	Compressor	55-100835-45S	55-100835-13S	55-100835-16S	55-100835-23S
	Stk	Compressor Wiring Harness (Molded Plug)	45-100834-80	45-100834-80	45-100834-80	45-100834-80
21	Stk	Capacitor - Fan/Compressor (2 inch diameter)	43-26261-40	43-26261-44	43-26261-09	43-26271-46
21	Stk	Capacitor - Fan/Compressor (2-1/2 inch diameter)	N/A	N/A	N/A	43-101665-46
	Stk	Muffler	83-20438-04	83-20438-04	83-20438-04	83-20438-04

No.	Notes	MODEL COOLING CAPACITY VARIATION	HRE13 42 1A	HRE13 48 1A	HRE13 60 1A	
COMPRESSOR GROUP						
IMPORTANT NOTE: Replacement Compressors MUST be selected using the Compressor ID from the unit's Serial Number. Do not interchange compressors from other Compressor ID's used on the model. See Note 2 and cross-references below for information regarding retrofit of Bristol reciprocating compressors with Copeland scroll compressors.						
		Compressor ID:		7682/7333		
10	2	Original Compressor - See Note 2		55-101545-11S		
10	Stk,2	Replacement Compressor (Retrofit Kit Required) - See Note 2		55-100835-05S		
	Stk,2	Retrofit Kit - See Note 2		831013		
21	Stk	Capacitor - Fan/Compressor		43-26271-39		
	Stk	Muffler		83-20438-04		
		Compressor ID:	7681/7332		7683/7334	
10	Stk	Compressor	55-101545-15S		55-23148-37	
21	Stk	Capacitor - Fan/Compressor	43-26271-38		43-26271-47	
	Stk	Crankcase Heater	N/A		44-101884-02	
	Stk	Muffler	83-20438-04		83-20438-04	
		Compressor ID:		7663	7664	
10	Stk	Compressor		55-100835-05S	55-100835-06S	
	Stk	Compressor Wiring Harness (Molded Plug)		45-100834-80	45-100834-80	
21	Stk	Capacitor - Fan/Compressor		43-26261-39	43-26261-30	
	Stk	Muffler		83-20438-04	83-20438-04	
	Stk	Crankcase Heater		N/A	44-101884-02	

No.	Notes	MODEL COOLING CAPACITY VARIATION	HRE13 18 1N	HRE13 24 1N	HRE13 30 1N	HRE13 36 1N
COMPRESSOR GROUP						
IMPORTANT NOTE: Replacement Compressors MUST be selected using the Compressor ID from the unit's Serial Number. Do not interchange compressors from other Compressor ID's used on the model. See Note 2 and cross-references below for information regarding retrofit of Bristol reciprocating compressors with Copeland scroll compressors.						
		Compressor ID:			8489	8490
10	2	Original Compressor - See Note 2			55-101545-14S	55-101545-09S
10	Stk,2	Replacement Compressor (Retrofit Kit Required) - See Note 2			55-100835-16S	55-100835-23S
	Stk,2	Retrofit Kit - See Note 2			831011	831012
21	Stk	Capacitor - Fan/Compressor			43-101665-44	43-26261-46
	Stk	Muffler/Check Valve			83-101828-01	83-101828-01
		Compressor ID:	8487	8488		
10	2	Original Compressor - See Note 2	55-101545-27S	55-101545-29S		
10	Stk,2	Replacement Compressor (Retrofit Kit Required) - See Note 2	55-100835-45S	55-100835-13S		
	Stk,2	Retrofit Kit - See Note 2	831009	831010		
21	Stk	Capacitor - Fan/Compressor	43-101665-44	43-101665-44		
	Stk	Muffler/Check Valve	83-101828-01	83-101828-01		
		Compressor ID:	8494	8495	8496	8497
10	Stk	Compressor	55-100835-45S	55-100835-13S	55-100835-16S	55-100835-23S
	Stk	Compressor Wiring Harness (Molded Plug)	45-100834-80	45-100834-80	45-100834-80	45-100834-80
21	Stk	Capacitor - Fan/Compressor (2 inch diameter)	43-26261-40	43-26261-44	43-26261-09	43-26271-46
21	Stk	Capacitor - Fan/Compressor (2-1/2 inch diameter)	N/A	N/A	N/A	43-101665-46
	Stk	Muffler	83-20438-04	83-20438-04	83-20438-04	83-20438-04

No.	Notes	MODEL COOLING CAPACITY VARIATION	HRE13 42 1N	HRE13 48 1N	HRE13 60 1N	
COMPRESSOR GROUP						
IMPORTANT NOTE: Replacement Compressors MUST be selected using the Compressor ID from the unit's Serial Number. Do not interchange compressors from other Compressor ID's used on the model. See Note 2 and cross-references below for information regarding retrofit of Bristol reciprocating compressors with Copeland scroll compressors.						
		Compressor ID:			8492	
10	2	Original Compressor - See Note 2		55-101545-11S		
10	Stk,2	Replacement Compressor (Retrofit Kit Required) - See Note 2		55-100835-05S		
	Stk,2	Retrofit Kit - See Note 2		831013		
21	Stk	Capacitor - Fan/Compressor		43-26271-39		
	Stk	Muffler		83-20438-04		
		Compressor ID:	8491		8493	
10	Stk	Compressor	55-101545-15S		55-23148-37	
21	Stk	Capacitor - Fan/Compressor	43-26271-38		43-26271-47	
	Stk	Crankcase Heater	N/A		44-101884-02	
	Stk	Muffler	83-20438-04		83-20438-04	
		Compressor ID:		8498	8499	
10	Stk	Compressor		55-100835-05S	55-100835-06S	
	Stk	Compressor Wiring Harness (Molded Plug)		45-100834-80	45-100834-80	
21	Stk	Capacitor - Fan/Compressor		43-26261-39	43-26261-30	
	Stk	Muffler		83-20438-04	83-20438-04	
	Stk	Crankcase Heater		N/A	44-101884-02	

No.	Notes	MODEL COOLING CAPACITY VARIATION	HRE13 36 3A	HRE13 42 3A	HRE13 48 3A	HRE13 60 3A
COMPRESSOR GROUP						
IMPORTANT NOTE: Replacement Compressors MUST be selected using the Compressor ID from the unit's Serial Number. Do not interchange compressors from other Compressor ID's used on the model.						
		Compressor ID:	7810	7813	7816	7820
10	Stk	Compressor	55-101545-41S	55-102282-16S	55-102282-21S	55-100835-19S
21	Stk	Capacitor - Fan	43-100509-60	43-100509-60	43-100509-60	43-100509-60
	Stk	Muffler	N/A	83-20438-04	83-20438-04	83-20438-04
	Stk	Muffler/Check Valve	83-101828-01	N/A	N/A	N/A
		Compressor ID:	7809		7815	7821
10	Stk	Compressor	55-100835-24S		55-100835-51S	55-102282-24S
	Stk	Compressor Wiring Harness (Molded Plug)	45-100834-80		45-100834-80	N/A
21	Stk	Capacitor - Fan	43-100509-60		43-100509-60	43-100509-60
	Stk	Muffler	83-20438-04		83-20438-04	83-20438-04

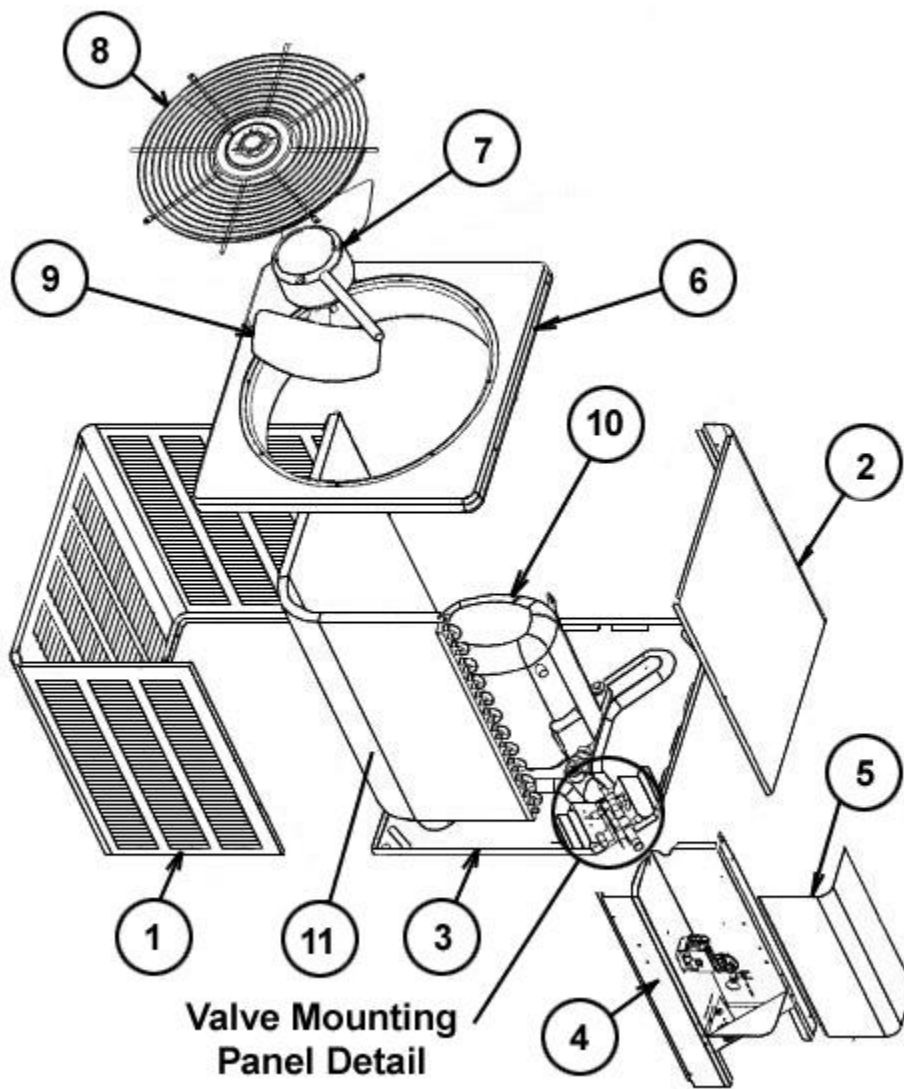
No.	Notes	MODEL COOLING CAPACITY VARIATION	HRE13 36 4A	HRE13 42 4A	HRE13 48 4A	HRE13 60 4A
COMPRESSOR GROUP						
IMPORTANT NOTE: Replacement Compressors MUST be selected using the Compressor ID from the unit's Serial Number. Do not interchange compressors from other Compressor ID's used on the model.						
		Compressor ID:	7812	7814	7818	7823
10	Stk	Compressor	55-101545-42S	55-102282-17S	55-102282-22S	55-102282-25S
21	Stk	Capacitor - Fan	43-100509-59	43-100509-59	43-100509-59	43-100509-59
	Stk	Muffler	N/A	83-20438-04	83-20438-04	83-20438-04
	Stk	Muffler/Check Valve	83-101828-01	N/A	N/A	N/A
		Compressor ID:	7811		7817	7822
10	Stk	Compressor	55-100835-40S		55-100835-52S	55-100835-46S
	Stk	Compressor Wiring Harness (Molded Plug)	45-100834-80		45-100834-80	45-100834-80
21	Stk	Capacitor - Fan	43-100509-59		43-100509-59	43-100509-59
	Stk	Muffler	83-20438-04		83-20438-04	83-20438-04

No.	Notes	MODEL COOLING CAPACITY VARIATION	HRE13 48 5A	HRE13 60 5A		
COMPRESSOR GROUP						
IMPORTANT NOTE: Replacement Compressors MUST be selected using the Compressor ID from the unit's Serial Number. Do not interchange compressors from other Compressor ID's used on the model.						
		Compressor ID:	7819	7824		
10	Stk	Compressor	55-102282-23S	55-100835-55S		
	Stk	Compressor Wiring Harness (Molded Plug)	N/A	45-100834-80		
21	Stk	Capacitor - Fan	43-100509-59	43-100509-59		
	Stk	Muffler	83-20438-04	83-20438-04		
		Compressor ID:		7825		
10	Stk	Compressor		55-102282-26S		
	Stk	Compressor Wiring Harness (Molded Plug)		N/A		
21	Stk	Capacitor - Fan		43-100509-59		
	Stk	Muffler		83-20438-04		

No.	Notes	MODEL COOLING CAPACITY VARIATION	HRE13 36 3N	HRE13 42 3N	HRE13 48 3N	HRE13 60 3N
COMPRESSOR GROUP						
IMPORTANT NOTE: Replacement Compressors MUST be selected using the Compressor ID from the unit's Serial Number. Do not interchange compressors from other Compressor ID's used on the model.						
		Compressor ID:	8521	8523	8525	8519
10	Stk	Compressor	55-101545-41S	55-102282-16S	55-102282-21S	55-100835-19S
21	Stk	Capacitor - Fan	43-100509-60	43-100509-60	43-100509-60	43-100509-60
	Stk	Muffler	N/A	83-20438-04	83-20438-04	83-20438-04
	Stk	Muffler/Check Valve	83-101828-01	N/A	N/A	N/A
		Compressor ID:	8515		8517	8527
10	Stk	Compressor	55-100835-24S		55-100835-51S	55-102282-24S
	Stk	Compressor Wiring Harness (Molded Plug)	45-100834-80		45-100834-80	N/A
21	Stk	Capacitor - Fan	43-100509-60		43-100509-60	43-100509-60
	Stk	Muffler	83-20438-04		83-20438-04	83-20438-04

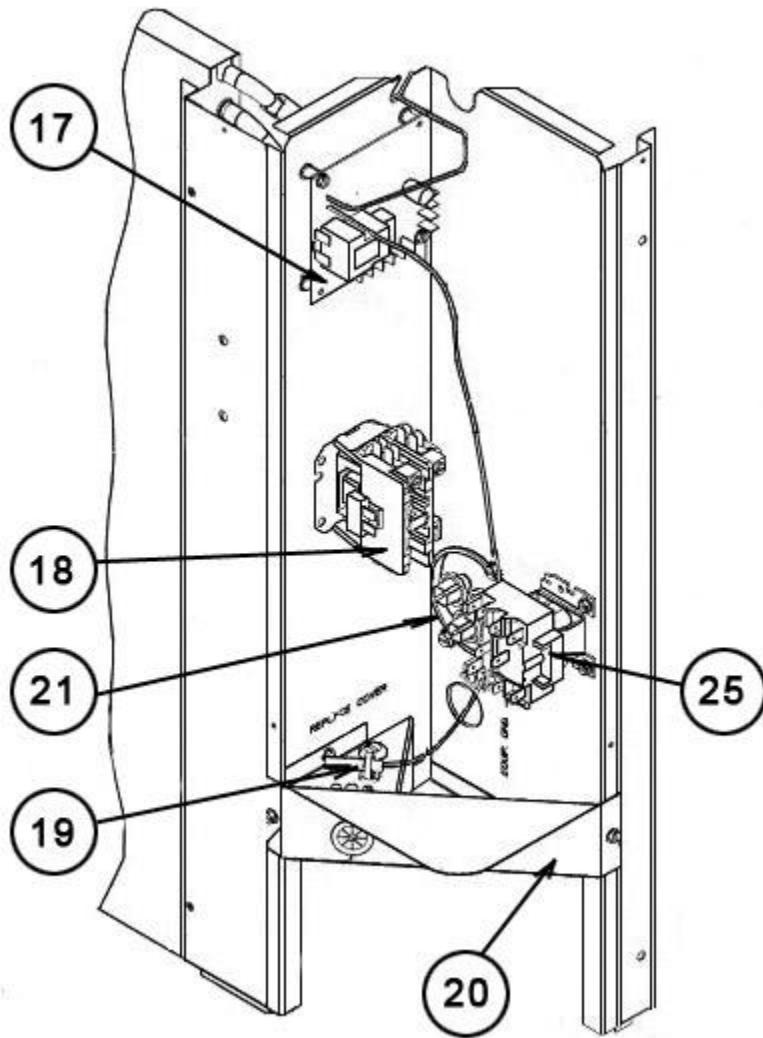
No.	Notes	MODEL COOLING CAPACITY VARIATION	HRE13 36 4N	HRE13 42 4N	HRE13 48 4N	HRE13 60 4N
COMPRESSOR GROUP						
IMPORTANT NOTE: Replacement Compressors MUST be selected using the Compressor ID from the unit's Serial Number. Do not interchange compressors from other Compressor ID's used on the model.						
		Compressor ID:	8522	8524	8526	8528
10	Stk	Compressor	55-101545-42S	55-102282-17S	55-102282-22S	55-102282-25S
21	Stk	Capacitor - Fan	43-100509-59	43-100509-59	43-100509-59	43-100509-59
	Stk	Muffler	N/A	83-20438-04	83-20438-04	83-20438-04
	Stk	Muffler/Check Valve	83-101828-01	N/A	N/A	N/A
		Compressor ID:	8516		8518	8520
10	Stk	Compressor	55-100835-40S		55-100835-52S	55-100835-46S
	Stk	Compressor Wiring Harness (Molded Plug)	45-100834-80		45-100834-80	45-100834-80
21	Stk	Capacitor - Fan	43-100509-59		43-100509-59	43-100509-59
	Stk	Muffler	83-20438-04		83-20438-04	83-20438-04

No.	Notes	MODEL COOLING CAPACITY VARIATION	HRE13 ALL ALL
ACCESORIES			
		Low Ambient Control	RXPZ-C01
		Outdoor Thermostat (One Thermostat w/box)	RXPT-A01
		Outdoor Thermostat (One Thermostat w/o box)	RXPT-A02
		Outdoor Thermostat (One w/Heat Relay and box)	RXPT-A03
		Outdoor Thermostat (Two Thermostats w/Heat and box)	RXPT-A04
		Heat Pump Monitor	RXPM-B01
		Compressor Time Delay Control	RXMD-B01
		Blower Time Delay Control	RXMD-C04
		High Pressure Control	RXAB-A03

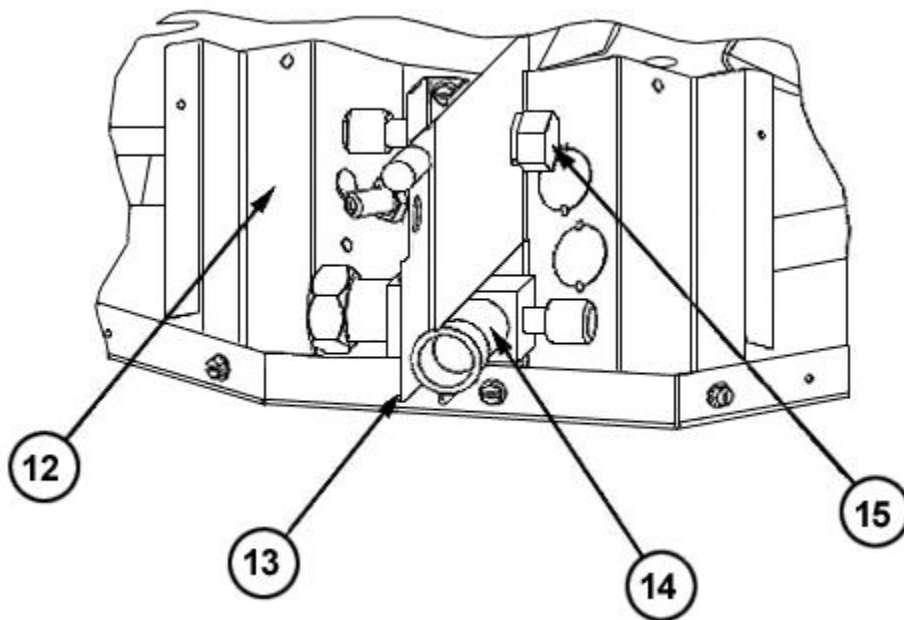


**Valve Mounting
Panel Detail**

Exploded View



Control Box Assembly



Valve Mounting Detail

NOTES

Stk It is recommended that stock be maintained for this part.

N/A Not Applicable

- 1 70-100580-04 is a 3-blade design, and 70-102011-04 is a 2-blade design. The replacement fan blades are interchangeable on the listed units, and either may be used for replacement.
- 2 This compressor should be replaced with the designated Copeland scroll (55-100835 series) and the specified Retrofit Kit. USE OF THE RETROFIT KIT IS REQUIRED WHEN PERFORMING THIS REPLACEMENT. Failure to use the kit will greatly increase the likelihood of future compressor failure and will void the compressor warranty.