

This Owner's Manual is provided and hosted by [Appliance Factory Parts](#).



COMFORT-AIRE RSE1360-5A Owner's Manual

[Shop genuine replacement parts for COMFORT-AIRE
RSE1360-5A](#)



[Find Your COMFORT-AIRE HVAC Parts - Select From 1486 Models](#)

----- Manual continues below -----

HEAT CONTROLLER, INC.

RSE13

Parts List
08-March-2012



This parts list is current as of the above revision date.

Form Number: 92-42810-RSE13

Table of Contents

| | |
|---------------------------------------------|---------|
| Model Explanation | Page 3 |
| Parts Numbers | |
| Panels - Miscellaneous (Single Phase) | Page 4 |
| Panels - Miscellaneous (Three Phase)..... | Page 5 |
| Electrical-Fan Group | Page 6 |
| Coil Parts | Page 7 |
| Compressor Group (Single Phase) | Page 8 |
| Compressor Group (Three Phase)..... | Page 9 |
| Accessories | Page 10 |
| Drawings/Photographs | |
| Exploded View | Page 11 |
| Valve Mounting Assembly | Page 12 |
| Control Box | Page 13 |
| Notes | Page 14 |

MODEL NUMBER EXPLANATION

| | | | | | | | | | |
|----------|----------|----------|----------|----------|----------|----------|----------|----------|----------|
| R | S | E | 1 | 3 | 1 | 8 | - | 1 | A |
| 1 | | | | 2 | | 3 | | | |

- (1) **SERIES**
- (2) **COOLING CAPACITY (BTU/HR)**
 - 18= 18,000
 - 24= 24,000
 - 30= 30,000
 - 36= 36,000
 - 42= 42,000
 - 48= 48,000
 - 60= 60,000
- (3) **OPTIONS**

SERIAL NUMBER EXPLANATION

| | | | | | | | | | | | | | |
|----------|----------|----------|----------|----------|----------|----------|----------|----------|----------|----------|----------|----------|----------|
| 7 | 0 | 9 | 2 | M | 0 | 7 | 0 | 1 | 9 | 9 | 9 | 9 | 9 |
| 1 | | | | 2 | 3 | | 4 | | 5 | | | | |

- (1) **COMPRESSOR IDENTIFICATION NUMBER**
- (2) **PRODUCTION LOCATION**
- (3) **WEEK OF PRODUCTION**
- (4) **YEAR OF PRODUCTION**
- (5) **PRODUCTION NUMBER**

| No. | Notes | MODEL COOLING CAPACITY VARIATION | RSE13 18 1A/1N | RSE13 24 1A/1N | RSE13 30 1A/1N | RSE13 36 1A/1N |
|-----------------------------------------|-------|--------------------------------------------------------|----------------------|----------------------|----------------------|----------------------|
| SHEET METAL PARTS, MISCELLANEOUS | | | | | | |
| 1 | | Cabinet | AE-100726-31 | AE-100726-31 | AE-100726-32 | AE-100726-33 |
| 2 | | Cabinet Panel | AE-100727-35 | AE-100727-31 | AE-100727-32 | AE-100727-33 |
| 5 | | Base Pan - Before Date Code 1207 | AE-100069-01 | AE-100069-01 | AE-100069-02 | AS-100058-03 |
| 5 | | Base Pan - After Date Code 1207 | AE-100069-01 | AE-100069-01 | AE-100069-02 | AE-101588-03 |
| 6 | | Control Box (2 inch O.D. Capacitor) | AE-100654-31 | AE-100654-31 | AE-100654-31 | AE-100654-31 |
| 6 | | Control Box (2-1/2 inch O.D. Capacitor) | N/A | N/A | N/A | AE-100654-32 |
| 7 | | Control Box Cover | AE-100657-31 | AE-100657-31 | AE-100657-31 | AE-100657-31 |
| 8 | | Top Panel - Before Date Code 1207 (Private Label Gray) | N/A | N/A | N/A | AE-100652-04 |
| 8 | | Top Panel - After Date Code 1207 (ICECO Gray) | N/A | N/A | N/A | AE-100652-03 |
| 8 | | Top Panel - After Date Code 1207 (Private Label Gray) | N/A | N/A | N/A | AE-100652-33 |
| 8 | | Top Panel - ICECO Gray | AE-100652-01 | AE-100652-01 | AE-100652-02 | N/A |
| 8 | | Top Panel - Private Label Gray | AE-100652-31 | AE-100652-31 | AE-100652-32 | N/A |
| 10 | | Grille - Before Date Code 1207 | 95-100906-01 | 95-100906-01 | 95-100906-03 | 95-100905-02 |
| 10 | | Grille - After Date Code 1207 | 95-100906-01 | 95-100906-01 | 95-100906-03 | 95-100906-04 |
| | | Center Cap - Blank (for Grille) | 91-101123-09 | 91-101123-09 | 91-101123-09 | 91-101123-09 |
| 14 | | Valve Mounting Panel | AE-57780-01 | AE-57780-01 | AE-57780-01 | AE-57780-01 |
| 16 | | Service Valve - Suction | See Coil Group | | | |
| 17 | | Service Valve - Liquid | See Coil Group | | | |
| 19 | | Low Voltage Cover | AE-57756-01 | AE-57756-01 | AE-57756-01 | AE-57756-01 |
| | | Touch-up Paint - ICECO Gray (Aerosol) | 523009 | 523009 | 523009 | 523009 |
| | | Touch-up Paint - ICECO Gray (Paint Pens) | 523011 | 523011 | 523011 | 523011 |
| | | Touch-up Paint - Private Label Gray (Aerosol) | 523014 | 523014 | 523014 | 523014 |
| | | Touch-up Paint - Private Label Gray (Paint Pens) | 523015 | 523015 | 523015 | 523015 |

| No. | Notes | MODEL COOLING CAPACITY VARIATION | RSE13 42 1A/1N | RSE13 48 1A/1N | RSE13 60 1A/1N | |
|-----------------------------------------|-------|--------------------------------------------------------|----------------------|----------------------|----------------------|--|
| SHEET METAL PARTS, MISCELLANEOUS | | | | | | |
| 1 | | Cabinet | AE-100726-33 | AE-100726-33 | AE-100726-34 | |
| 2 | | Cabinet Panel | AE-100727-33 | AE-100727-33 | AE-100727-34 | |
| 5 | | Base Pan - Before Date Code 1207 | AS-100058-03 | AS-100058-03 | AS-100058-03 | |
| 5 | | Base Pan - After Date Code 1207 | AE-101588-03 | AE-101588-03 | AE-101588-03 | |
| 6 | | Control Box (2-1/2 inch O.D. Capacitor) | AE-100654-32 | AE-100654-32 | AE-100654-34 | |
| 7 | | Control Box Cover | AE-100657-31 | AE-100657-31 | AE-100657-31 | |
| 8 | | Top Panel - Before Date Code 1207 (Private Label Gray) | AE-100652-04 | AE-100652-04 | AE-100652-04 | |
| 8 | | Top Panel - After Date Code 1207 (ICECO Gray) | AE-100652-03 | AE-100652-03 | AE-100652-03 | |
| 8 | | Top Panel - After Date Code 1207 (Private Label Gray) | AE-100652-33 | AE-100652-33 | AE-100652-33 | |
| 10 | | Grille - Before Date Code 1207 | 95-100905-02 | 95-100905-02 | 95-100905-02 | |
| 10 | | Grille - After Date Code 1207 | 95-100906-04 | 95-100906-04 | 95-100906-04 | |
| | | Center Cap - Blank (for Grille) | 91-101123-09 | 91-101123-09 | 91-101123-09 | |
| 14 | | Valve Mounting Panel | AE-57780-01 | AE-57780-01 | AE-100185-31 | |
| 16 | | Service Valve - Suction | See Coil Group | | | |
| 17 | | Service Valve - Liquid | See Coil Group | | | |
| 19 | | Low Voltage Cover | AE-57756-01 | AE-57756-01 | AE-57756-01 | |
| | | Touch-up Paint - ICECO Gray (Aerosol) | 523009 | 523009 | 523009 | |
| | | Touch-up Paint - ICECO Gray (Paint Pens) | 523011 | 523011 | 523011 | |
| | | Touch-up Paint - Private Label Gray (Aerosol) | 523014 | 523014 | 523014 | |
| | | Touch-up Paint - Private Label Gray (Paint Pens) | 523015 | 523015 | 523015 | |

| No. | Notes | MODEL COOLING CAPACITY VARIATION | RSE13 | RSE13 | RSE13 | RSE13 |
|-----------------------------------------|-------|--------------------------------------------------|----------------|--------------|--------------|--------------|
| | | | 36 3A/3N | 42 3A/3N | 48 3A/3N | 60 3A/3N |
| SHEET METAL PARTS, MISCELLANEOUS | | | | | | |
| 1 | | Cabinet | AE-100726-33 | AE-100726-33 | AE-100726-33 | AE-100726-34 |
| 2 | | Cabinet Panel | AE-100727-33 | AE-100727-33 | AE-100727-33 | AE-100727-34 |
| 5 | | Base Pan | AE-101588-03 | AE-101588-03 | AE-101588-03 | AE-101588-03 |
| 6 | | Control Box (2 inch O.D. Capacitor) | AE-100654-31 | AE-100654-31 | AE-100654-31 | AE-100654-33 |
| 7 | | Control Box Cover | AE-100657-31 | AE-100657-31 | AE-100657-31 | AE-100657-31 |
| 8 | | Top Panel - ICECO Gray | AE-100652-03 | AE-100652-03 | AE-100652-03 | AE-100652-03 |
| 8 | | Top Panel - Private Label Gray | AE-100652-33 | AE-100652-33 | AE-100652-33 | AE-100652-33 |
| 10 | | Grille | 95-100906-04 | 95-100906-04 | 95-100906-04 | 95-100906-04 |
| 14 | | Valve Mounting Panel | AE-57780-01 | AE-57780-01 | AE-57780-01 | AE-100185-31 |
| 16 | | Service Valve - Suction | See Coil Group | | | |
| 17 | | Service Valve - Liquid | See Coil Group | | | |
| 19 | | Low Voltage Cover | AE-57756-01 | AE-57756-01 | AE-57756-01 | AE-57756-01 |
| | | Touch-up Paint - ICECO Gray (Aerosol) | 523009 | 523009 | 523009 | 523009 |
| | | Touch-up Paint - ICECO Gray (Paint Pens) | 523011 | 523011 | 523011 | 523011 |
| | | Touch-up Paint - Private Label Gray (Aerosol) | 523014 | 523014 | 523014 | 523014 |
| | | Touch-up Paint - Private Label Gray (Paint Pens) | 523015 | 523015 | 523015 | 523015 |

| No. | Notes | MODEL COOLING CAPACITY VARIATION | RSE13 | RSE13 | RSE13 | RSE13 |
|-----------------------------------------|-------|--------------------------------------------------|----------------|--------------|--------------|--------------|
| | | | 36 4A/4N | 42 4A/4N | 48 4A/4N | 60 4A/4N |
| SHEET METAL PARTS, MISCELLANEOUS | | | | | | |
| 1 | | Cabinet | AE-100726-33 | AE-100726-33 | AE-100726-33 | AE-100726-34 |
| 2 | | Cabinet Panel | AE-100727-33 | AE-100727-33 | AE-100727-33 | AE-100727-34 |
| 5 | | Base Pan | AE-101588-03 | AE-101588-03 | AE-101588-03 | AE-101588-03 |
| 6 | | Control Box (2 inch O.D. Capacitor) | AE-100654-31 | AE-100654-31 | AE-100654-31 | AE-100654-33 |
| 7 | | Control Box Cover | AE-100657-31 | AE-100657-31 | AE-100657-31 | AE-100657-31 |
| 8 | | Top Panel - ICECO Gray | AE-100652-03 | AE-100652-03 | AE-100652-03 | AE-100652-03 |
| 8 | | Top Panel - Private Label Gray | AE-100652-33 | AE-100652-33 | AE-100652-33 | AE-100652-33 |
| 10 | | Grille | 95-100906-04 | 95-100906-04 | 95-100906-04 | 95-100906-04 |
| | | Center Cap - Blank (for Grille) | 91-101123-09 | 91-101123-09 | 91-101123-09 | 91-101123-09 |
| 14 | | Valve Mounting Panel | AE-57780-01 | AE-57780-01 | AE-57780-01 | AE-100185-31 |
| 16 | | Service Valve - Suction | See Coil Group | | | |
| 17 | | Service Valve - Liquid | See Coil Group | | | |
| 19 | | Low Voltage Cover | AE-57756-01 | AE-57756-01 | AE-57756-01 | AE-57756-01 |
| | | Touch-up Paint - ICECO Gray (Aerosol) | 523009 | 523009 | 523009 | 523009 |
| | | Touch-up Paint - ICECO Gray (Paint Pens) | 523011 | 523011 | 523011 | 523011 |
| | | Touch-up Paint - Private Label Gray (Aerosol) | 523014 | 523014 | 523014 | 523014 |
| | | Touch-up Paint - Private Label Gray (Paint Pens) | 523015 | 523015 | 523015 | 523015 |

| No. | Notes | MODEL COOLING CAPACITY VARIATION | RSE13 | RSE13 | | |
|-----------------------------------------|-------|--------------------------------------------------|----------------|--------------|--|--|
| | | | 48 5A | 60 5A | | |
| SHEET METAL PARTS, MISCELLANEOUS | | | | | | |
| 1 | | Cabinet | AE-100726-33 | AE-100726-34 | | |
| 2 | | Cabinet Panel | AE-100727-33 | AE-100727-34 | | |
| 5 | | Base Pan | AE-101588-03 | AE-101588-03 | | |
| 6 | | Control Box (2 inch O.D. Capacitor) | AE-100654-31 | AE-100654-33 | | |
| 7 | | Control Box Cover | AE-100657-31 | AE-100657-31 | | |
| 8 | | Top Panel - ICECO Gray | AE-100652-03 | AE-100652-03 | | |
| 8 | | Top Panel - Private Label Gray | AE-100652-33 | AE-100652-33 | | |
| 10 | | Grille | 95-100906-04 | 95-100906-04 | | |
| | | Center Cap - Blank (for Grille) | 91-101123-09 | 91-101123-09 | | |
| 14 | | Valve Mounting Panel | AE-57780-01 | AE-100185-31 | | |
| 16 | | Service Valve - Suction | See Coil Group | | | |
| 17 | | Service Valve - Liquid | See Coil Group | | | |
| 19 | | Low Voltage Cover | AE-57756-01 | AE-57756-01 | | |
| | | Touch-up Paint - ICECO Gray (Aerosol) | 523009 | 523009 | | |
| | | Touch-up Paint - ICECO Gray (Paint Pens) | 523011 | 523011 | | |
| | | Touch-up Paint - Private Label Gray (Aerosol) | 523014 | 523014 | | |
| | | Touch-up Paint - Private Label Gray (Paint Pens) | 523015 | 523015 | | |

| No. | Notes | MODEL COOLING CAPACITY VARIATION | RSE13 | RSE13 | RSE13 | RSE13 |
|-----------------------------|-------|----------------------------------------|----------------------------|--------------|--------------|--------------|
| | | | 18 1A/1N | 24 1A/1N | 30 1A/1N | 36 1A/1N |
| ELECTRICAL/FAN GROUP | | | | | | |
| 9 | Stk | Fan Motor | 51-102008-01 | 51-101774-04 | 51-101774-02 | 51-101774-02 |
| 11 | Stk,1 | Fan Blade - See Note 1 | 70-102011-01 | 70-102011-05 | 70-100580-02 | 70-100580-03 |
| 11 | 1 | Fan Blade - See Note 1 | N/A | N/A | N/A | 70-102011-03 |
| 18 | Stk | Contactora | 42-42139-05 | 42-42139-05 | 42-42139-05 | 42-42139-05 |
| 19 | | Low Voltage Cover | See Panels - Miscellaneous | | | |
| 20 | | Control Box Bottom | AE-100655-01 | AE-100655-01 | AE-100655-01 | AE-100655-01 |
| 21 | | Capacitor - Compressor/Fan | See Compressor Group | | | |

| No. | Notes | MODEL COOLING CAPACITY VARIATION | RSE13 | RSE13 | RSE13 | |
|-----------------------------|-------|----------------------------------------|----------------------------|--------------|--------------|--|
| | | | 42 1A/1N | 48 1A/1N | 60 1A/1N | |
| ELECTRICAL/FAN GROUP | | | | | | |
| 9 | Stk | Fan Motor | 51-101774-02 | 51-102008-03 | 51-102008-03 | |
| 11 | Stk,1 | Fan Blade - See Note 1 | 70-100580-03 | 70-100580-04 | 70-100580-04 | |
| 11 | 1 | Fan Blade - See Note 1 | 70-102011-03 | 70-102011-04 | 70-102011-04 | |
| 18 | Stk | Contactora | 42-42139-05 | 42-42139-05 | 42-42478-02 | |
| 19 | | Low Voltage Cover | See Panels - Miscellaneous | | | |
| 20 | | Control Box Bottom | AE-100655-01 | AE-100655-01 | AE-100655-01 | |
| 21 | | Capacitor - Compressor/Fan | See Compressor Group | | | |

| No. | Notes | MODEL COOLING CAPACITY VARIATION | RSE13 | RSE13 | RSE13 | RSE13 |
|-----------------------------|-------|----------------------------------------|----------------------------|--------------|--------------|--------------|
| | | | 36 3A/3N | 42 3A/3N | 48 3A/3N | 60 3A/3N |
| ELECTRICAL/FAN GROUP | | | | | | |
| 9 | Stk | Fan Motor | 51-101774-02 | 51-101774-02 | 51-102008-07 | 51-102008-07 |
| 11 | Stk,1 | Fan Blade - See Note 1 | 70-100580-03 | 70-100580-03 | N/A | N/A |
| 11 | 1 | Fan Blade - See Note 1 | 70-102011-03 | 70-102011-03 | N/A | N/A |
| 11 | Stk | Fan Blade | N/A | N/A | 70-102011-04 | 70-102011-04 |
| 18 | Stk | Contactora | 42-40594-14 | 42-40594-14 | 42-40594-14 | 42-22464-03 |
| 19 | | Low Voltage Cover | See Panels - Miscellaneous | | | |
| 20 | | Control Box Bottom | AE-100655-01 | AE-100655-01 | AE-100655-01 | AE-100655-01 |
| 21 | | Capacitor - Fan | See Compressor Group | | | |

| No. | Notes | MODEL COOLING CAPACITY VARIATION | RSE13 | RSE13 | RSE13 | RSE13 |
|-----------------------------|-------|----------------------------------------|----------------------------|--------------|--------------|--------------|
| | | | 36 4A/4N | 42 4A/4N | 48 4A/4N | 60 4A/4N |
| ELECTRICAL/FAN GROUP | | | | | | |
| 9 | Stk | Fan Motor | 51-101774-06 | 51-101774-06 | 51-101774-05 | 51-101774-05 |
| 11 | Stk,1 | Fan Blade - See Note 1 | 70-100580-03 | 70-100580-03 | N/A | N/A |
| 11 | 1 | Fan Blade - See Note 1 | 70-102011-03 | 70-102011-03 | N/A | N/A |
| 11 | Stk | Fan Blade | N/A | N/A | 70-102011-10 | 70-102011-10 |
| 18 | Stk | Contactora | 42-40594-14 | 42-40594-14 | 42-40594-14 | 42-22464-03 |
| 19 | | Low Voltage Cover | See Panels - Miscellaneous | | | |
| 20 | | Control Box Bottom | AE-100655-01 | AE-100655-01 | AE-100655-01 | AE-100655-01 |
| 21 | | Capacitor - Fan | See Compressor Group | | | |

| No. | Notes | MODEL COOLING CAPACITY VARIATION | RSE13 | RSE13 | | |
|-----------------------------|-------|----------------------------------------|----------------------------|--------------|--|--|
| | | | 48 5A | 60 5A | | |
| ELECTRICAL/FAN GROUP | | | | | | |
| 9 | Stk | Fan Motor | 51-101774-10 | 51-101774-10 | | |
| 11 | Stk | Fan Blade | 70-102011-10 | 70-102011-10 | | |
| 18 | Stk | Contactora | 42-40594-14 | 42-22464-03 | | |
| 19 | | Low Voltage Cover | See Panels - Miscellaneous | | | |
| 20 | | Control Box Bottom | AE-100655-01 | AE-100655-01 | | |
| 21 | | Capacitor - Fan | See Compressor Group | | | |

| No. | Notes | MODEL COOLING CAPACITY VARIATION | RSE13 | RSE13 | RSE13 | RSE13 |
|-------------------|-------|-------------------------------------------------|--------------|--------------|--------------|--------------|
| | | | 18 1A/1N | 24 1A/1N | 30 1A/1N | 36 1A/1N |
| COIL GROUP | | | | | | |
| 13 | Stk | Condenser Coil | AS-101758-03 | AS-101759-03 | AS-101844-03 | AS-101761-03 |
| | | Distributor - Two Way (1/2 in. to 3/8 in.) | 83-19988-01 | 83-19988-01 | N/A | N/A |
| | | Distributor - Three Way (3/8 in. to 3/8 in.) | N/A | N/A | 83-17467-07 | 83-17467-07 |
| | | Distributor - Three Way (1/2 in. to 3/8 in.) | N/A | N/A | 83-17467-06 | 83-17467-06 |
| 15 | | Valve Mounting Bracket | AE-57781-01 | AE-57781-01 | AE-57781-01 | AE-57781-02 |
| 16 | | Service Valve - Suction (Before Date Code 0406) | 61-21368-07 | 61-21368-07 | 61-21368-07 | 61-21368-08 |
| 16 | | Service Valve - Suction (After Date Code 0406) | 61-21368-07 | 61-21368-07 | 61-21368-07 | 61-21368-22 |
| 17 | | Service Valve - Liquid | 61-21368-05 | 61-21368-05 | 61-21368-05 | 61-21368-05 |
| | Stk | Filter Drier | 83-26186-02 | 83-26186-02 | 83-26186-02 | 83-26186-02 |

| No. | Notes | MODEL COOLING CAPACITY VARIATION | RSE13 | RSE13 | RSE13 | |
|-------------------|-------|-------------------------------------------------|--------------|--------------|--------------|--|
| | | | 42 1A/1N | 48 1A/1N | 60 1A/1N | |
| COIL GROUP | | | | | | |
| 13 | Stk | Condenser Coil | AS-101761-03 | AS-101761-03 | AS-101763-03 | |
| | | Distributor - Three Way (3/8 in. to 3/8 in.) | 83-17467-07 | 83-17467-07 | N/A | |
| | | Distributor - Three Way (1/2 in. to 3/8 in.) | 83-17467-06 | 83-17467-06 | N/A | |
| 15 | | Valve Mounting Bracket | AE-57781-02 | AE-57781-02 | AE-57781-02 | |
| 16 | | Service Valve - Suction (Before Date Code 0406) | 61-21368-08 | 61-21368-08 | 61-21368-08 | |
| 16 | | Service Valve - Suction (After Date Code 0406) | 61-21368-22 | 61-21368-22 | 61-21368-08 | |
| 17 | | Service Valve - Liquid | 61-21368-05 | 61-21368-05 | 61-21368-05 | |
| | Stk | Filter Drier | 83-26186-02 | 83-26186-02 | 83-26186-02 | |

| No. | Notes | MODEL COOLING CAPACITY VARIATION | RSE13 | RSE13 | RSE13 | RSE13 |
|-------------------|-------|----------------------------------------------|--------------|--------------|--------------|--------------|
| | | | 36 3A/3N | 42 3A/3N | 48 3A/3N | 60 3A/3N |
| COIL GROUP | | | | | | |
| 13 | Stk | Condenser Coil | AS-101761-03 | AS-101761-03 | AS-101761-03 | AS-101763-03 |
| | | Distributor - Three Way (3/8 in. to 3/8 in.) | 83-17467-07 | 83-17467-07 | 83-17467-07 | N/A |
| | | Distributor - Three Way (1/2 in. to 3/8 in.) | 83-17467-06 | 83-17467-06 | 83-17467-06 | N/A |
| 15 | | Valve Mounting Bracket | AE-57781-02 | AE-57781-02 | AE-57781-02 | AE-57781-02 |
| 16 | | Service Valve - Suction | 61-21368-22 | 61-21368-08 | 61-21368-08 | 61-21368-08 |
| 17 | | Service Valve - Liquid | 61-21368-05 | 61-21368-05 | 61-21368-05 | 61-21368-05 |
| | Stk | Filter Drier | 83-26186-02 | 83-26186-02 | 83-26186-02 | 83-26186-02 |

| No. | Notes | MODEL COOLING CAPACITY VARIATION | RSE13 | RSE13 | RSE13 | RSE13 |
|-------------------|-------|----------------------------------------------|--------------|--------------|--------------|--------------|
| | | | 36 4A/4N | 42 4A/4N | 48 4A/4N | 60 4A/4N |
| COIL GROUP | | | | | | |
| 13 | Stk | Condenser Coil | AS-101761-03 | AS-101761-03 | AS-101761-03 | AS-101763-03 |
| | | Distributor - Three Way (3/8 in. to 3/8 in.) | 83-17467-07 | 83-17467-07 | 83-17467-07 | N/A |
| | | Distributor - Three Way (1/2 in. to 3/8 in.) | 83-17467-06 | 83-17467-06 | 83-17467-06 | N/A |
| 15 | | Valve Mounting Bracket | AE-57781-02 | AE-57781-02 | AE-57781-02 | AE-57781-02 |
| 16 | | Service Valve - Suction | 61-21368-22 | 61-21368-08 | 61-21368-08 | 61-21368-08 |
| 17 | | Service Valve - Liquid | 61-21368-05 | 61-21368-05 | 61-21368-05 | 61-21368-05 |
| | Stk | Filter Drier | 83-26186-02 | 83-26186-02 | 83-26186-02 | 83-26186-02 |

| No. | Notes | MODEL COOLING CAPACITY VARIATION | RSE13 | RSE13 | | |
|-------------------|-------|----------------------------------------------|--------------|--------------|--|--|
| | | | 48 5A | 60 5A | | |
| COIL GROUP | | | | | | |
| 13 | Stk | Condenser Coil | AS-101761-03 | AS-101763-03 | | |
| | | Distributor - Three Way (3/8 in. to 3/8 in.) | 83-17467-07 | N/A | | |
| | | Distributor - Three Way (1/2 in. to 3/8 in.) | 83-17467-06 | N/A | | |
| 15 | | Valve Mounting Bracket | AE-57781-02 | AE-57781-02 | | |
| 16 | | Service Valve - Suction | 61-21368-08 | 61-21368-08 | | |
| 17 | | Service Valve - Liquid | 61-21368-05 | 61-21368-05 | | |
| | Stk | Filter Drier | 83-26186-02 | 83-26186-02 | | |

| No. | Notes | MODEL COOLING CAPACITY VARIATION | RSE13 | RSE13 | RSE13 | RSE13 |
|-------------------------|-------|-----------------------------------------|---------------|---------------|---------------|---------------|
| | | | 18 1A | 18 1N | 24 1A | 24 1N |
| COMPRESSOR GROUP | | | | | | |
| | | Compressor ID: | 7276 | | 7402 | |
| 12 | Stk | Compressor | 55-101545-05S | | 55-101545-17 | |
| | Stk | Muffler/Check Valve | 83-101828-01 | | 83-101828-01 | |
| 21 | Stk | Capacitor - Compressor/Fan | 43-26261-04 | | 43-101665-44 | |
| | | Compressor ID: | 7401 | | 7729 | |
| 12 | Stk | Compressor | 55-101545-16 | | 55-101545-28S | |
| | Stk | Check Valve | N/A | | 83-102440-01 | |
| | Stk | Muffler/Check Valve | 83-101828-01 | | N/A | |
| 21 | Stk | Capacitor - Compressor/Fan | 43-26261-04 | | 43-101665-44 | |
| | | Compressor ID: | 7728 | | 7277 | |
| 12 | Stk | Compressor | 55-101545-26S | | 55-101545-06S | |
| | Stk | Check Valve | 83-102440-01 | | N/A | |
| | Stk | Muffler/Check Valve | N/A | | 83-101828-01 | |
| 21 | Stk | Capacitor - Compressor/Fan | 43-26261-04 | | 43-101665-44 | |
| | | Compressor ID: | 7652 | 8341 | 7653 | 8342 |
| 12 | Stk | Compressor | 55-100835-30S | 55-102045-67S | 55-100835-07S | 55-102045-68S |
| 21 | Stk | Capacitor - Compressor/Fan | 43-26261-03 | 43-101665-03 | 43-101665-44 | 43-101665-44 |
| | Stk | Compressor Wiring Harness (Molded Plug) | 45-100834-80 | 45-100834-80 | 45-100834-80 | 45-100834-80 |

| No. | Notes | MODEL COOLING CAPACITY VARIATION | RSE13 | RSE13 | RSE13 | RSE13 |
|-------------------------|-------|-----------------------------------------|---------------|---------------|--------------------|---------------|
| | | | 30 1A | 30 1N | 36 1A | 36 1N |
| COMPRESSOR GROUP | | | | | | |
| | | Compressor ID: | 7278 | | 7404 / 7675 | |
| 12 | Stk | Compressor | 55-101545-07S | | 55-101545-19S | |
| | Stk | Muffler/Check Valve | 83-101828-01 | | 83-101828-01 | |
| 21 | Stk | Capacitor - Compressor/Fan | 43-101665-44 | | 43-26261-09 | |
| | | Compressor ID: | 7403 | | 7279 | |
| 12 | Stk | Compressor | 55-101545-18 | | 55-101545-08S | |
| | Stk | Muffler/Check Valve | 83-101828-01 | | 83-101828-01 | |
| 21 | Stk | Capacitor - Compressor/Fan | 43-101665-44 | | 43-26261-15 | |
| | | Compressor ID: | 7654 | 8343 | 7655 | 8344 |
| 12 | Stk | Compressor | 55-100835-17S | 55-102045-69S | 55-100835-25S | 55-102045-70S |
| 21 | Stk | Capacitor - Compressor/Fan | 43-26271-41 | 43-101665-41 | 43-26261-15 | 43-101665-15 |
| | Stk | Compressor Wiring Harness (Molded Plug) | 45-100834-80 | 45-100834-80 | 45-100834-80 | 45-100834-80 |

| No. | Notes | MODEL COOLING CAPACITY VARIATION | RSE13 | RSE13 | RSE13 | RSE13 |
|-------------------------|-------|-----------------------------------------|--------------------|---------------|--------------------|---------------|
| | | | 42 1A | 42 1N | 48 1A | 48 1N |
| COMPRESSOR GROUP | | | | | | |
| | | Compressor ID: | 7676 / 7280 | | 7677 / 7281 | |
| 12 | Stk | Compressor | 55-101545-15S | | 55-23148-35S | |
| 21 | Stk | Capacitor - Compressor/Fan | 43-26261-17 | | 43-26271-39 | |
| | | Compressor ID: | 7656 | 8345 | 7657 | 8346 |
| 12 | Stk | Compressor | 55-100835-10S | 55-102045-71S | 55-100835-53S | 55-102045-72S |
| 21 | Stk | Capacitor - Compressor/Fan | 43-26261-17 | 43-101665-17 | 43-26261-38 | 43-101665-38 |
| | Stk | Compressor Wiring Harness (Molded Plug) | 45-100834-80 | 45-100834-80 | 45-100834-80 | 45-100834-80 |

| No. | Notes | MODEL COOLING CAPACITY VARIATION | RSE13 | RSE13 | | |
|-------------------------|-------|-----------------------------------------|--------------------|---------------|--|--|
| | | | 60 1A | 60 1N | | |
| COMPRESSOR GROUP | | | | | | |
| | | Compressor ID: | 7678 / 7282 | | | |
| 12 | Stk | Compressor | 55-23148-37S | | | |
| 21 | Stk | Capacitor - Compressor/Fan | 43-26271-47 | | | |
| | | Compressor ID: | 7658 | 8347 | | |
| 12 | Stk | Compressor | 55-100835-18S | 55-102045-73S | | |
| 21 | Stk | Capacitor - Compressor/Fan | 43-26261-30 | 43-101665-30 | | |
| | Stk | Compressor Wiring Harness (Molded Plug) | 45-100834-80 | 45-100834-80 | | |

| No. | Notes | MODEL COOLING CAPACITY VARIATION | RSE13 36 3A | RSE13 42 3A | RSE13 48 3A | RSE13 60 3A |
|-------------------------|-------|-----------------------------------------|-------------------|-------------------|-------------------|-------------------|
| COMPRESSOR GROUP | | | | | | |
| | | Compressor ID: | 7741 | 7745 | 7798 | 7804 |
| 12 | Stk | Compressor | 55-101545-39S | 55-102282-16S | 55-102282-18S | 55-102282-24S |
| 21 | Stk | Capacitor - Fan | 43-100509-59 | 43-100509-59 | 43-100509-60 | 43-100509-60 |
| | Stk | Muffler/Check Valve | 83-101828-01 | N/A | N/A | N/A |
| | | Compressor ID: | 7740 | 7744 | 7797 | 7803 |
| 12 | Stk | Compressor | 55-100835-34S | 55-100835-36S | 55-100835-65S | 55-100835-38S |
| 21 | Stk | Capacitor - Fan | 43-100509-59 | 43-100509-59 | 43-100509-60 | 43-100509-60 |
| | Stk | Compressor Wiring Harness (Molded Plug) | 45-100834-80 | 45-100834-80 | 45-100834-80 | 45-100834-80 |

| No. | Notes | MODEL COOLING CAPACITY VARIATION | RSE13 36 3N | RSE13 42 3N | RSE13 48 3N | RSE13 60 3N |
|-------------------------|-------|-----------------------------------------|-------------------|-------------------|-------------------|-------------------|
| COMPRESSOR GROUP | | | | | | |
| | | Compressor ID: | 8372 | 8374 | 8376 | 8378 |
| 12 | Stk | Compressor | 55-102045-74S | 55-102045-76S | 55-102045-78S | 55-102045-80S |
| 21 | Stk | Capacitor - Fan | 43-101666-59 | 43-101666-59 | 43-101666-60 | 43-101666-60 |
| | Stk | Compressor Wiring Harness (Molded Plug) | 45-100834-80 | 45-100834-80 | 45-100834-80 | 45-100834-80 |

| No. | Notes | MODEL COOLING CAPACITY VARIATION | RSE13 36 4A | RSE13 42 4A | RSE13 48 4A | RSE13 60 4A |
|-------------------------|-------|-----------------------------------------|-------------------|-------------------|-------------------|-------------------|
| COMPRESSOR GROUP | | | | | | |
| | | Compressor ID: | 7743 | 7796 | 7800 | 7806 |
| 12 | Stk | Compressor | 55-101545-40S | 55-102282-17S | 55-102282-19S | 55-102282-25S |
| 21 | Stk | Capacitor - Fan | 43-100509-59 | 43-100509-59 | 43-100509-59 | 43-100509-59 |
| | Stk | Muffler/Check Valve | 83-101828-01 | N/A | N/A | N/A |
| | | Compressor ID: | 7742 | 7746 | 7799 | 7805 |
| 12 | Stk | Compressor | 55-100835-35S | 55-100835-37S | 55-100835-66S | 55-100835-39S |
| 21 | Stk | Capacitor - Fan | 43-100509-59 | 43-100509-59 | 43-100509-59 | 43-100509-59 |
| | Stk | Compressor Wiring Harness (Molded Plug) | 45-100834-80 | 45-100834-80 | 45-100834-80 | 45-100834-80 |

| No. | Notes | MODEL COOLING CAPACITY VARIATION | RSE13 36 4N | RSE13 42 4N | RSE13 48 4N | RSE13 60 4N |
|-------------------------|-------|-----------------------------------------|-------------------|-------------------|-------------------|-------------------|
| COMPRESSOR GROUP | | | | | | |
| | | Compressor ID: | 8373 | 8375 | 8377 | 8379 |
| 12 | Stk | Compressor | 55-102045-75S | 55-102045-77S | 55-102045-79S | 55-102045-81S |
| 21 | Stk | Capacitor - Fan | 43-101666-59 | 43-101666-59 | 43-101666-59 | 43-101666-59 |
| | Stk | Compressor Wiring Harness (Molded Plug) | 45-100834-80 | 45-100834-80 | 45-100834-80 | 45-100834-80 |

| No. | Notes | MODEL COOLING CAPACITY VARIATION | RSE13 48 5A | RSE13 60 5A | | |
|-------------------------|-------|-----------------------------------------|-------------------|-------------------|--|--|
| COMPRESSOR GROUP | | | | | | |
| | | Compressor ID: | 7802 | 7808 | | |
| 12 | Stk | Compressor | 55-102282-20S | 55-102282-26S | | |
| 21 | Stk | Capacitor - Fan | 43-100509-59 | 43-100509-59 | | |
| | Stk | Muffler/Check Valve | N/A | N/A | | |
| | | Compressor ID: | 7801 | 7807 | | |
| 12 | Stk | Compressor | 55-100835-67S | 55-100835-48S | | |
| 21 | Stk | Capacitor - Fan | 43-100509-59 | 43-100509-59 | | |
| | Stk | Compressor Wiring Harness (Molded Plug) | 45-100834-80 | 45-100834-80 | | |

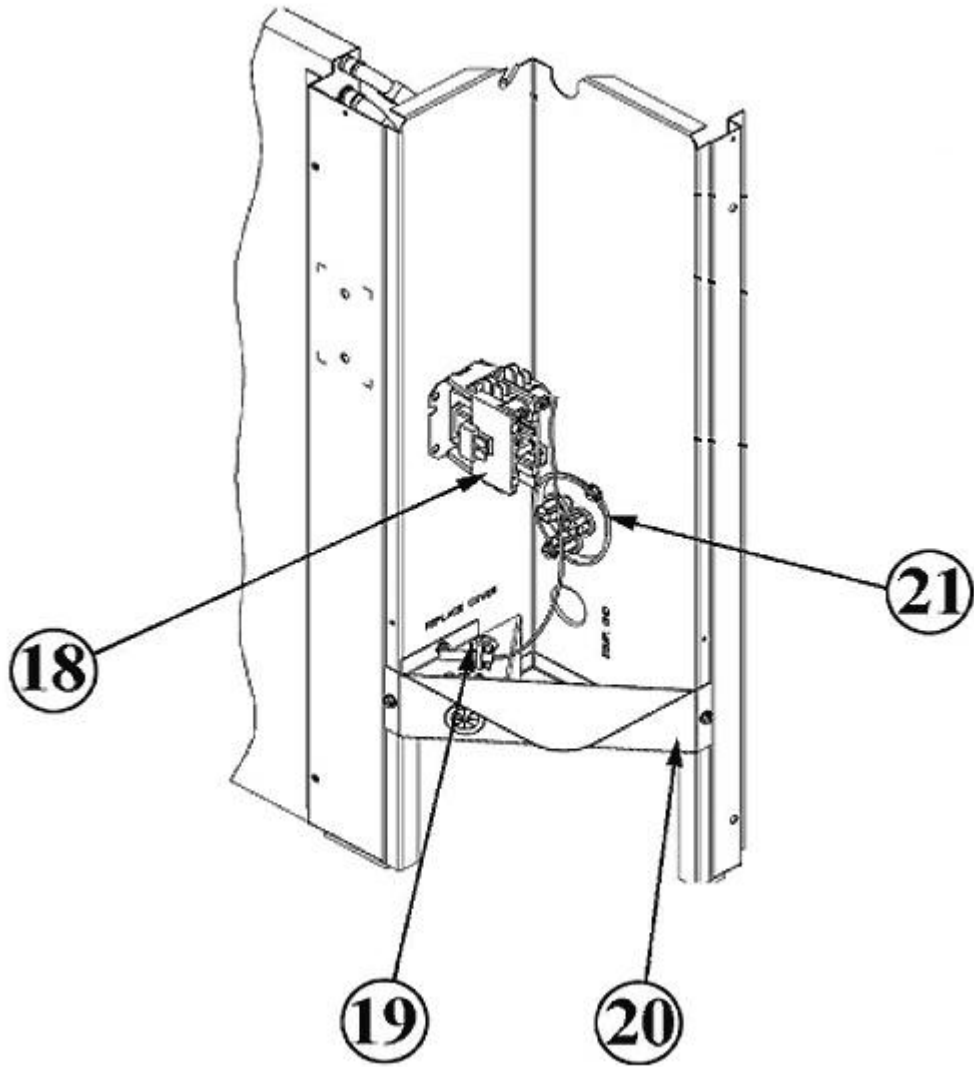
| | | | |
|-------------------|-------|----------------------------------------|---------------------|
| No. | Notes | MODEL COOLING CAPACITY VARIATION | RSE13 ALL ALL |
| ACCESORIES | | | |
| | | Low Ambient Control | RXAD-A04 |
| | | Compressor Time Delay Control | RXMD-B01 |
| | | High Pressure Control | RXAB-A03 |
| | | Low Pressure Control | RXAC-A03 |



Exploded View



Valve Mounting Assembly



Control Box

NOTES

Stk It is recommended that stock be maintained for this part.

N/A Not Applicable

- 1 70-100580-03 / 70-100580-04 is a 3-blade design, and 70-102011-03 / 70-102011-04 / 70-102011-10 is a 2-blade design. The replacement fan blades are interchangeable on the listed units, and either may be used for replacement.
- 2 This compressor should be replaced with the designated Copleland scroll (55-100835 series) and the specified Retrofit Kit. **USE OF THE RETROFIT KIT IS REQUIRED WHEN PERFORMING THIS REPLACEMENT.** Failure to use the kit will greatly increase the likelihood of future compressor failure and will void the compressor warranty.
- 3 ICECO Gray Top Panels