

This Owner's Manual is provided and hosted by [Appliance Factory Parts](#).



# COMFORT-AIRE RSG1348-3C Owner's Manual

[Shop genuine replacement parts for COMFORT-AIRE  
RSG1348-3C](#)



[Find Your COMFORT-AIRE HVAC Parts - Select From 1486 Models](#)

----- Manual continues below -----

# RSG13-C

HEAT CONTROLLER, INC.

Parts List  
08-March-2012



*This parts list is current as of the above revision date.*

Form Number: 92-42810-RSG13-C

# Table of Contents

Model Explanation .....	Page 3
Parts Numbers	
Panels - Miscellaneous .....	Page 4
Electrical-Fan Group .....	Page 5
Coil Parts .....	Page 6
Compressor Group .....	Page 7
Accessories .....	Page 8
Drawings/Photographs	
Exploded View .....	Page 9
Control Box .....	Page 10
Valve Mounting Detail .....	Page 11
Notes .....	Page 12

**MODEL NUMBER EXPLANATION**

<b>R</b>	<b>S</b>	<b>G</b>	<b>1</b>	<b>3</b>	<b>1</b>	<b>8</b>	<b>-</b>	<b>1</b>	<b>C</b>
<b>1</b>				<b>2</b>		<b>3</b>			

- (1) **SERIES**
- (2) **COOLING CAPACITY (BTU/HR)**
  - 18= 18,000
  - 24= 24,000
  - 30= 30,000
  - 36= 36,000
  - 42= 42,000
  - 48= 48,000
  - 60= 60,000
- (3) **OPTIONS**

**SERIAL NUMBER EXPLANATION**

<b>8</b>	<b>0</b>	<b>2</b>	<b>9</b>	<b>W</b>	<b>0</b>	<b>7</b>	<b>0</b>	<b>9</b>	<b>9</b>	<b>9</b>	<b>9</b>	<b>9</b>
<b>1</b>				<b>2</b>	<b>3</b>		<b>4</b>		<b>5</b>			

- (1) **COMPRESSOR IDENTIFICATION NUMBER**
- (2) **PRODUCTION LOCATION**
- (3) **WEEK OF PRODUCTION**
- (4) **YEAR OF PRODUCTION**
- (5) **PRODUCTION NUMBER**

No.	Notes	MODEL COOLING CAPACITY VARIATION	RSG13 18 1C	RSG13 24 1C	RSG13 30 1C	RSG13 36 1C	RSG13 36 3C	RSG13 36 4C
<b>SHEET METAL PARTS, MISCELLANEOUS</b>								
1		Cabinet	AE-100726-36	AE-100726-31	AE-100726-37	AE-100726-32	AE-100726-32	AE-100726-32
2		Cabinet Panel	AE-100727-35	AE-100727-35	AE-100727-38	AE-100727-32	AE-100727-32	AE-100727-32
3		Base Pan	AE-100069-01	AE-100069-01	AE-100069-02	AE-100069-02	AE-100069-02	AE-100069-02
4		Control Box	AE-100654-31	AE-100654-31	AE-100654-31	AE-100654-31	AE-100654-31	AE-100654-31
5		Control Box Cover	AE-100657-31	AE-100657-31	AE-100657-31	AE-100657-31	AE-100657-31	AE-100657-31
6		Top Panel - ICECO Gray	AE-100652-01	AE-100652-01	AE-100652-02	AE-100652-02	AE-100652-02	AE-100652-02
6		Top Panel - Private Label Gray	AE-100652-31	AE-100652-31	AE-100652-32	AE-100652-32	AE-100652-32	AE-100652-32
8		Grille	95-100906-01	95-100906-01	95-100906-03	95-100906-03	95-100906-03	95-100906-03
		Center Cap - Blank (for Grille)	91-101123-09	91-101123-09	91-101123-09	91-101123-09	91-101123-09	91-101123-09
12		Valve Mounting Panel	AE-57780-01	AE-57780-01	AE-57780-01	AE-57780-01	AE-57780-01	AE-57780-01
14		Service Valve - Suction	See Coil Group					
15		Service Valve - Liquid	See Coil Group					
17		Low Voltage Cover	AE-57756-01	AE-57756-01	AE-57756-01	AE-57756-01	AE-57756-01	AE-57756-01
		Touch-up Paint - ICECO Gray (Aerosol)	523009	523009	523009	523009	523009	523009
		Touch-up Paint - ICECO Gray (Paint Pens)	523011	523011	523011	523011	523011	523011
		Touch-up Paint - Private Label Gray (Aerosol)	523014	523014	523014	523014	523014	523014
		Touch-up Paint - Private Label Gray (Paint Pens)	523015	523015	523015	523015	523015	523015

No.	Notes	MODEL COOLING CAPACITY VARIATION	RSG13 42 1C	RSG13 42 3C	RSG13 42 4C	RSG13 48 1C	RSG13 48 3C	RSG13 48 4C
<b>SHEET METAL PARTS, MISCELLANEOUS</b>								
1		Cabinet	AE-100726-32	AE-100726-32	AE-100726-32	AE-100726-33	AE-100726-33	AE-100726-33
2		Cabinet Panel	AE-100727-32	AE-100727-32	AE-100727-32	AE-100727-33	AE-100727-33	AE-100727-33
3		Base Pan	AE-100069-02	AE-100069-02	AE-100069-02	AE-101588-03	AE-101588-03	AE-101588-03
4		Control Box	AE-100654-32	AE-100654-31	AE-100654-31	AE-100654-32	AE-100654-31	AE-100654-31
5		Control Box Cover	AE-100657-31	AE-100657-31	AE-100657-31	AE-100657-31	AE-100657-31	AE-100657-31
6		Top Panel - ICECO Gray	AE-100652-02	AE-100652-02	AE-100652-02	AE-100652-03	AE-100652-03	AE-100652-03
6		Top Panel - Private Label Gray	AE-100652-32	AE-100652-32	AE-100652-32	AE-100652-33	AE-100652-33	AE-100652-33
8		Grille	95-103944-01	95-103944-01	95-103944-01	95-100906-04	95-100906-04	95-100906-04
		Center Cap - Blank (for Grille)	91-101123-09	91-101123-09	91-101123-09	91-101123-09	91-101123-09	91-101123-09
12		Valve Mounting Panel	AE-57780-01	AE-57780-01	AE-57780-01	AE-57780-01	AE-57780-01	AE-57780-01
14		Service Valve - Suction	See Coil Group					
15		Service Valve - Liquid	See Coil Group					
17		Low Voltage Cover	AE-57756-01	AE-57756-01	AE-57756-01	AE-57756-01	AE-57756-01	AE-57756-01
		Touch-up Paint - ICECO Gray (Aerosol)	523009	523009	523009	523009	523009	523009
		Touch-up Paint - ICECO Gray (Paint Pens)	523011	523011	523011	523011	523011	523011
		Touch-up Paint - Private Label Gray (Aerosol)	523014	523014	523014	523014	523014	523014
		Touch-up Paint - Private Label Gray (Paint Pens)	523015	523015	523015	523015	523015	523015

No.	Notes	MODEL COOLING CAPACITY VARIATION	RSG13 48 5C	RSG13 60 1C	RSG13 60 3C	RSG13 60 4C	RSG13 60 5C
<b>SHEET METAL PARTS, MISCELLANEOUS</b>							
1		Cabinet	AE-100726-33	AE-100726-34	AE-100726-34	AE-100726-34	AE-100726-34
2		Cabinet Panel	AE-100727-33	AE-100727-39	AE-100727-39	AE-100727-39	AE-100727-39
3		Base Pan	AE-101588-03	AE-101588-03	AE-101588-03	AE-101588-03	AE-101588-03
4		Control Box	AE-100654-31	AE-100654-34	AE-100654-33	AE-100654-33	AE-100654-33
5		Control Box Cover	AE-100657-31	AE-100657-31	AE-100657-31	AE-100657-31	AE-100657-31
6		Top Panel - ICECO Gray	AE-100652-03	AE-100652-03	AE-100652-03	AE-100652-03	AE-100652-03
6		Top Panel - Private Label Gray	AE-100652-33	AE-100652-33	AE-100652-33	AE-100652-33	AE-100652-33
8		Grille	95-100906-04	95-100906-04	95-100906-04	95-100906-04	95-100906-04
		Center Cap - Blank (for Grille)	91-101123-09	91-101123-09	91-101123-09	91-101123-09	91-101123-09
12		Valve Mounting Panel	AE-57780-01	AE-100185-31	AE-100185-31	AE-100185-31	AE-100185-31
14		Service Valve - Suction	See Coil Group				
15		Service Valve - Liquid	See Coil Group				
17		Low Voltage Cover	AE-57756-01	AE-57756-01	AE-57756-01	AE-57756-01	AE-57756-01
		Touch-up Paint - ICECO Gray (Aerosol)	523009	523009	523009	523009	523009
		Touch-up Paint - ICECO Gray (Paint Pens)	523011	523011	523011	523011	523011
		Touch-up Paint - Private Label Gray (Aerosol)	523014	523014	523014	523014	523014
		Touch-up Paint - Private Label Gray (Paint Pens)	523015	523015	523015	523015	523015

No.	Notes	MODEL COOLING CAPACITY VARIATION	RSG13 18 1C	RSG13 24 1C	RSG13 30 1C	RSG13 36 1C	RSG13 36 3C	RSG13 36 4C	
<b>ELECTRICAL/FAN GROUP</b>									
7	Stk	Fan Motor	51-101774-04	51-101774-04	51-101774-02	51-101774-02	51-101774-02	51-101774-06	
9	Stk	Fan Blade	70-102033-05	70-102033-05	70-102011-16	70-102011-16	70-102011-16	70-102011-16	
16	Stk	Contactator	42-102851-01	42-102851-01	42-102851-01	42-102851-01	42-102664-08	42-102664-08	
17		Low Voltage Cover	See Panels - Miscellaneous						
18		Control Box Bottom	AE-100655-01	AE-100655-01	AE-100655-01	AE-100655-01	AE-100655-01	AE-100655-01	
19		Capacitor - Compressor/Fan	See Compressor Group						

No.	Notes	MODEL COOLING CAPACITY VARIATION	RSG13 42 1C	RSG13 42 3C	RSG13 42 4C	RSG13 48 1C	RSG13 48 3C	RSG13 48 4C	
<b>ELECTRICAL/FAN GROUP</b>									
7	Stk	Fan Motor	51-102008-07	51-102008-07	51-102008-05	51-102008-07	51-102008-07	51-102008-05	
9	Stk	Fan Blade	70-101323-19	70-101323-19	70-101323-19	70-102011-10	70-102011-10	70-102011-10	
16	Stk	Contactator	42-102851-01	42-102664-08	42-102664-08	42-102851-03	42-102664-08	42-102664-08	
17		Low Voltage Cover	See Panels - Miscellaneous						
18		Control Box Bottom	AE-100655-01	AE-100655-01	AE-100655-01	AE-100655-01	AE-100655-01	AE-100655-01	
19		Capacitor - Compressor/Fan	See Compressor Group						

No.	Notes	MODEL COOLING CAPACITY VARIATION	RSG13 48 5C	RSG13 60 1C	RSG13 60 3C	RSG13 60 4C	RSG13 60 5C		
<b>ELECTRICAL/FAN GROUP</b>									
7	Stk	Fan Motor	51-101774-10	51-102008-07	51-102008-07	51-101774-05	51-101774-10		
9	Stk	Fan Blade	70-102011-10	70-102011-10	70-102011-10	70-102011-10	70-102011-10		
16	Stk	Contactator	42-102664-08	42-102851-03	42-102664-14	42-102664-14	42-102664-14		
17		Low Voltage Cover	See Panels - Miscellaneous						
18		Control Box Bottom	AE-100655-01	AE-100655-01	AE-100655-01	AE-100655-01	AE-100655-01		
19		Capacitor - Compressor/Fan	See Compressor Group						

No.	Notes	MODEL COOLING CAPACITY VARIATION	RSG13 18 1C	RSG13 24 1C	RSG13 30 1C	RSG13 36 1C	RSG13 36 3C	RSG13 36 4C
<b>COIL GROUP</b>								
11	Stk	Condenser Coil	AS-103938-03	AS-103165-03	AS-103940-03	AS-103941-03	AS-103941-03	AS-103941-03
13		Valve Mounting Bracket	AE-57781-01	AE-57781-01	AE-57781-01	AE-57781-01	AE-57781-01	AE-57781-01
14		Service Valve - Suction	61-21368-07	61-21368-07	61-21368-07	61-21368-07	61-21368-07	61-21368-07
15		Service Valve - Liquid	61-21368-05	61-21368-05	61-21368-05	61-21368-05	61-21368-05	61-21368-05
		Filter Drier	83-22755-12	83-22755-12	83-22755-12	83-22755-12	83-22755-12	83-22755-12

No.	Notes	MODEL COOLING CAPACITY VARIATION	RSG13 42 1C	RSG13 42 3C	RSG13 42 4C	RSG13 48 1C	RSG13 48 3C	RSG13 48 4C
<b>COIL GROUP</b>								
11	Stk	Condenser Coil - Before W1411	AS-101599-03	AS-101599-03	AS-101599-03	AS-103168-03	AS-103168-03	AS-103168-03
11	Stk	Condenser Coil - After W1411	AS-101599-03	AS-101599-03	AS-101599-03	AS-104069-03	AS-104069-03	AS-104069-03
13		Valve Mounting Bracket	AE-57781-02	AE-57781-02	AE-57781-02	AE-57781-02	AE-57781-02	AE-57781-02
14		Service Valve - Suction	61-21368-08	61-21368-08	61-21368-08	61-21368-08	61-21368-08	61-21368-08
15		Service Valve - Liquid	61-21368-05	61-21368-05	61-21368-05	61-21368-05	61-21368-05	61-21368-05
		Filter Drier	83-22755-12	83-22755-12	83-22755-12	83-22755-12	83-22755-12	83-22755-12

No.	Notes	MODEL COOLING CAPACITY VARIATION	RSG13 48 5C	RSG13 60 1C	RSG13 60 3C	RSG13 60 4C	RSG13 60 5C	
<b>COIL GROUP</b>								
11	Stk	Condenser Coil - Before W1411	AS-103168-03	AS-103942-03	AS-103942-03	AS-103942-03	AS-103942-03	
11	Stk	Condenser Coil - After W1411	AS-104069-03	AS-103942-03	AS-103942-03	AS-103942-03	AS-103942-03	
		Valve Mounting Bracket	AE-57781-02	AE-57781-02	AE-57781-02	AE-57781-02	AE-57781-02	
14		Service Valve - Suction	61-21368-08	61-21368-08	61-21368-08	61-21368-08	61-21368-08	
15		Service Valve - Liquid	61-21368-05	61-21368-05	61-21368-05	61-21368-05	61-21368-05	
		Filter Drier	83-22755-12	83-22755-12	83-22755-12	83-22755-12	83-22755-12	

No.	Notes	MODEL COOLING CAPACITY VARIATION	RSG13 18 1C	RSG13 24 1C	RSG13 30 1C	RSG13 36 1C	RSG13 36 3C	RSG13 36 4C
<b>COMPRESSOR GROUP</b>								
		<b>Compressor ID:</b>	<b>8389</b>	<b>8390</b>	<b>8391</b>	<b>8392</b>	<b>8396</b>	<b>8397</b>
10	Stk	Compressor	55-102045-82S	55-102045-24S	55-102045-31S	55-102045-03S	55-102045-05S	55-102045-04S
19	Stk	Capacitor - Compressor/Fan	43-101665-40	43-101665-44	43-101665-09	43-101665-41	43-101666-59	43-101666-59
		Compressor Wiring Harness (Molded Plug)	45-100834-80	45-100834-80	45-100834-80	45-100834-80	45-100834-80	45-100834-80

No.	Notes	MODEL COOLING CAPACITY VARIATION	RSG13 42 1C	RSG13 42 3C	RSG13 42 4C	RSG13 48 1C	RSG13 48 3C	RSG13 48 4C
<b>COMPRESSOR GROUP</b>								
		<b>Compressor ID:</b>	<b>8393</b>	<b>8398</b>	<b>8399</b>	<b>8394</b>	<b>8400</b>	<b>8401</b>
10	Stk	Compressor	55-102045-15S	55-102045-19S	55-102045-18S	55-102045-09S	55-102045-11S	55-102045-10S
19	Stk	Capacitor - Compressor/Fan	43-101665-48	43-101666-60	43-101666-59	43-101665-47	43-101666-60	43-101666-59
		Compressor Wiring Harness (Molded Plug)	45-100834-80	45-100834-80	45-100834-80	45-100834-80	45-100834-80	45-100834-80

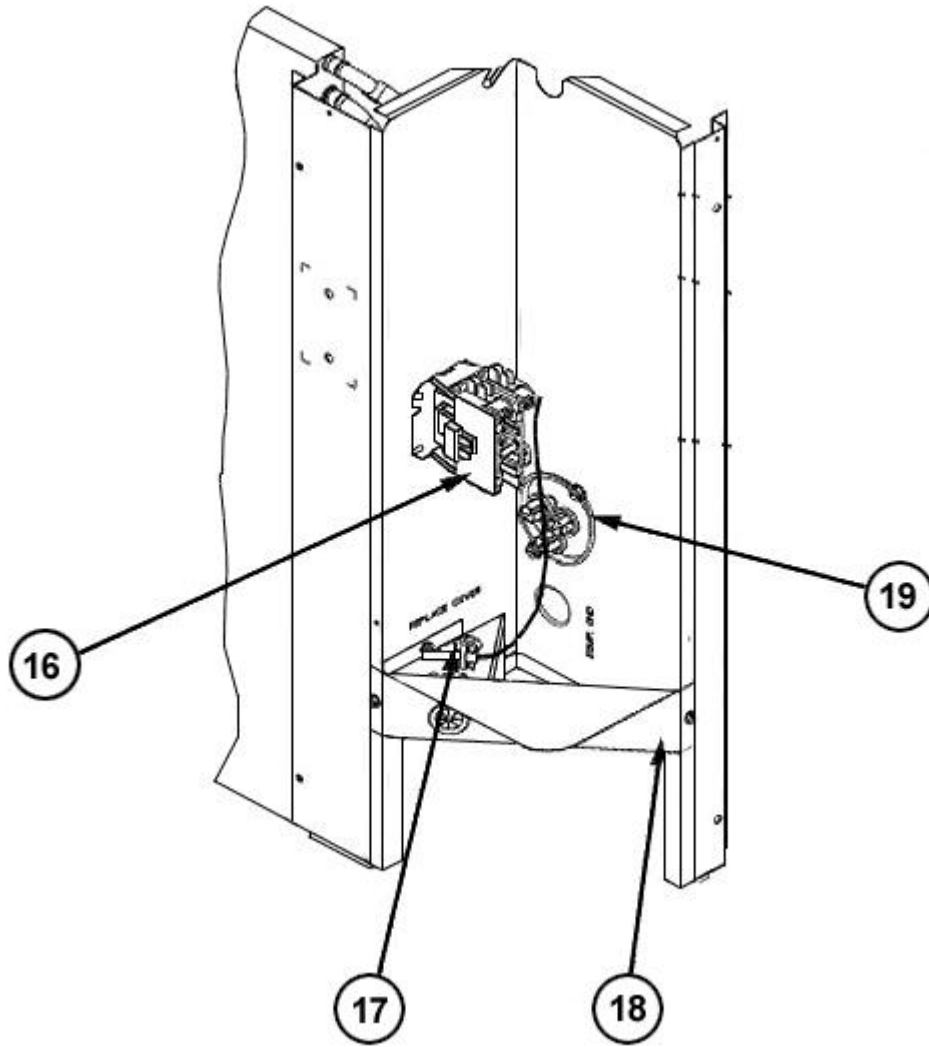
No.	Notes	MODEL COOLING CAPACITY VARIATION	RSG13 48 5C	RSG13 60 1C	RSG13 60 3C	RSG13 60 4C	RSG13 60 5C	
<b>COMPRESSOR GROUP</b>								
		<b>Compressor ID:</b>	<b>8402</b>	<b>8395</b>	<b>8403</b>	<b>8404</b>	<b>8405</b>	
10	Stk	Compressor	55-102045-29S	55-102045-26S	55-102045-27S	55-102045-28S	55-102045-41S	
19	Stk	Capacitor - Compressor/Fan	43-101666-60	43-101665-47	43-101666-60	43-101666-59	43-101666-59	
		Compressor Wiring Harness (Molded Plug)	45-100834-80	45-100834-80	45-100834-80	45-100834-80	45-100834-80	

No.	Notes	MODEL COOLING CAPACITY VARIATION	RSG13 ALL ALL
<b>ACCESORIES</b>			
		Low Ambient Control	RXAD-A08
		Compressor Time Delay Control	RXMD-B01
		High Pressure Control	RXAB-A07
		Low Pressure Control	RXAC-A07

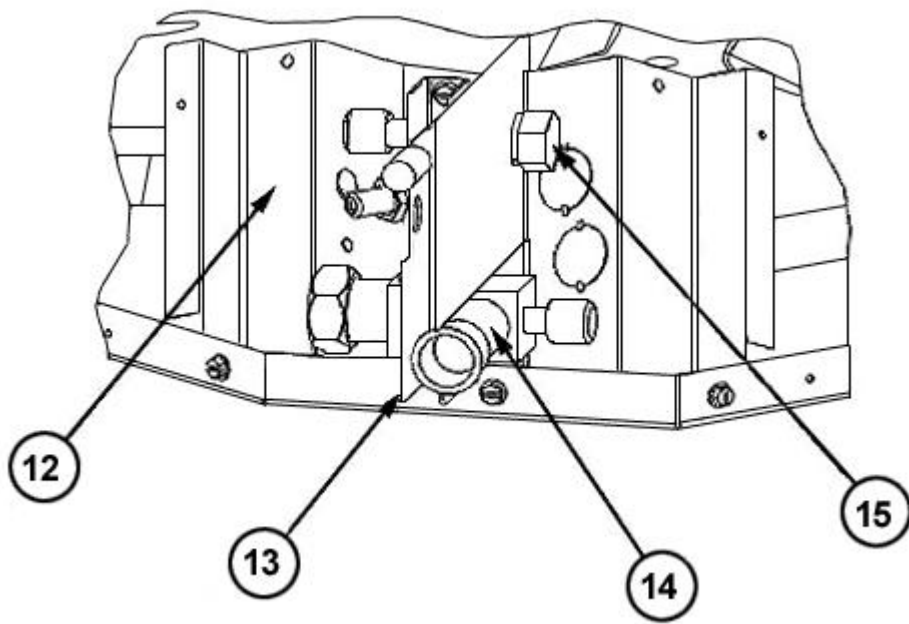


**Valve Mounting  
Panel Detail**

Exploded View



Control Box



Valve Mounting Detail

# NOTES

Stk It is recommended that stock be maintained for this part.  
N/A Not Applicable