

This Owner's Manual is provided and hosted by [Appliance Factory Parts](#).



Napoleon BIM605 Owner's Manual

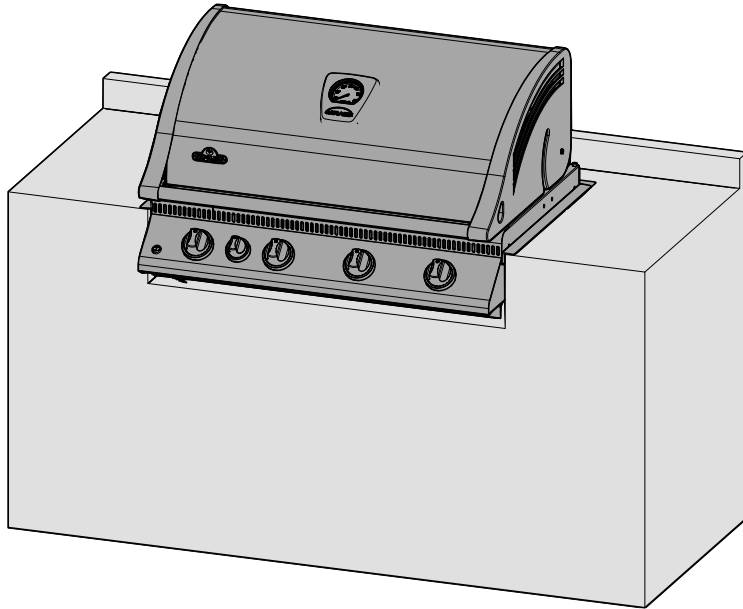
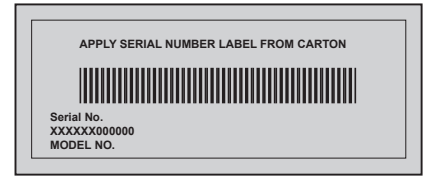
[Shop genuine replacement parts for Napoleon BIM605](#)



[Find Your Napoleon Grill Parts - Select From 264 Models](#)

----- Manual continues below -----

This gas grill must be used only outdoors in a well-ventilated space and must not be used inside a building, garage, screened-in porch, gazebo or any other enclosed area.



BIM605



WARNING! CABINET FRAME, CABINET AND COUNTER TOP MUST BE MADE FROM NON-COMBUSTIBLE MATERIAL.



DANGER

IF YOU SMELL GAS:

- Shut off gas to the appliance.
- Extinguish any open flame.
- Open lid.
- If odor continues, keep away from the appliance and immediately call your gas supplier or fire department.



WARNING

Do not try to light this appliance without reading the "LIGHTING" instructions section of this manual.

Do not store or use gasoline or other flammable liquids or vapors in the vicinity of this or any other appliance. An L.P. cylinder not connected for use must not be stored in the vicinity of this or any other appliance. If the information in these instructions is not followed exactly, a fire or explosion may result, causing property damage, personal injury or death.

Notice to Installer: Leave these instructions with the grill owner for future reference.



Napoleon Appliance Corp.,
214 Bayview Dr., Barrie, Ontario, Canada L4N 4Y8 Phone: 1-705-726-4278 Fax: (705)725-2564
www.napoleongrills.com
Customer service: 1-866-820-8686 or wecare@napoleonproducts.com



THANK YOU FOR CHOOSING NAPOLEON

NAPOLEON products are designed with superior components and materials, and are assembled by trained craftsmen who take great pride in their work. The burner and valve assembly are leak tested and test-fired at a quality test station. This grill has been thoroughly inspected by a qualified technician before packaging and shipping to ensure that you, the customer, receive the quality product you expect from NAPOLEON.

We at Napoleon are dedicated to you, "our valued customer." It is our goal to provide you with the necessary tools for an unforgettable grilling experience. This manual is provided to assist you in assuring your new grill is assembled, installed, maintained and cared for properly. It is important to read and understand this entire manual before operating your new grill to ensure you fully understand all the safety precautions and features your grill has to offer. By carefully following these instructions, you will enjoy years of trouble-free grilling. If this product fails to meet your expectations, for any reason, please call our customer care department at 1-866-820-8686 between 9 AM and 5 PM (Eastern Standard Time) or visit our Website at www.napoleongrills.com.

**Napoleon Gas Grill President's Limited Warranty**

NAPOLEON warrants the following materials and workmanship in your new NAPOLEON gas grill against defects for as long as you own the gas grill. This covers aluminum castings (excluding paint), LUXIDIO® trays, stainless steel side shelves, stainless steel control panel (excluding screen printing), stainless steel burners, stainless steel or porcelain lid inserts, and lid handles, subject to the following conditions: During the first five years NAPOLEON will provide replacement parts at our option free of charge. From the sixth year to lifetime, NAPOLEON will provide replacement parts at 50% of the current retail price.

Components such as stainless steel sear plates, stainless steel or cast iron cooking grids, valves with ignition system, temperature gauges, knobs, and ceramic infrared burners (excluding screens) are covered and Napoleon will provide parts free of charge during the first two years of the limited warranty.

All other components including regulators, casters, warming racks, hoses and connectors, I-GLOW™, fasteners and accessories are covered and NAPOLEON will provide parts free of charge during the first year of the limited warranty.

NAPOLEON shall not be liable for any transportation charges, labor costs or export duties.

Conditions And Limitations

"NAPOLEON warrants its products against manufacturing defects to the original purchaser only, provided that the purchase was made through an authorized NAPOLEON dealer and is subject to the following conditions and limitations:"

This factory warranty is non-transferable and may not be extended what-so-ever by any of our representatives.

The gas grill must be installed by a licensed, authorized service technician or contractor. Installation must be done in accordance with the installation instructions included with the product and all local and national building and fire codes.

This limited warranty does not cover damages caused by misuse, lack of maintenance, grease fires, hostile environments, accident, alterations, abuse or neglect and parts installed from other manufacturers will nullify this warranty.

This limited warranty further does not cover any scratches, dents, painted finishes, corrosion or discoloring by heat, abrasive and chemical cleaners, nor chipping on porcelain enamel parts, nor any components used in the installation of the gas grill.

Should deterioration of parts occur to the degree of non-performance within the duration of the warranted coverage, a replacement part will be provided.

In the first year only, this warranty extends to the replacement of warranted parts, which are defective in material or workmanship provided that the product has been operated in accordance with the operation instructions and under normal conditions.

After the first year, with respect to this President's Limited Lifetime Warranty NAPOLEON may, at its discretion, fully discharge all obligations with respect to this warranty by refunding to the original warranted purchaser the wholesale price of any warranted but defective part(s).

NAPOLEON will not be responsible for the installation, labor or any other costs or expenses related to the re-installation of a warranted part, and such expenses are not covered by this warranty.

Notwithstanding any provision contained in this President's Limited Lifetime Warranty NAPOLEON's responsibility under this warranty is defined as above and it shall not in any event extend to any incidental, consequential, or indirect damages.

This warranty defines the obligation and liability of NAPOLEON with respect to the NAPOLEON gas grill and any other warranties expressed or implied with respect to this product, its components or accessories are excluded.

NAPOLEON neither assumes, nor authorizes any third party to assume, on its behalf, any other liabilities with respect to the sale of this product.

NAPOLEON will not be responsible for: over firing, blow outs caused by environmental conditions such as strong winds, or inadequate ventilation,

Any damages to the gas grill due to weather damage, hail, rough handling, damaging chemicals or cleaners will not be the responsibility of NAPOLEON.

The bill of sale or copy will be required together with a serial number and a model number when making any warranty claims from NAPOLEON.

NAPOLEON reserves the right to have its representative inspect any product or part prior to honoring any warranty claim.

NAPOLEON shall not be liable for any transportation charges, labor costs, or export duties.



WARNING! Failure to follow these instructions could result in property damage, personal injury or death. Read and follow all warnings and instructions in this manual prior to operating grill.

Safe Operating Practices

- This gas grill must be assembled exactly according to the instructions in the manual. If the grill was store assembled, you must review the assembly instructions to confirm correct assembly and perform the required leak tests before operating the grill.
- Read the entire instruction manual before operating the gas grill.
- This gas grill must be used only outdoors in a well-ventilated space and must not be used inside a building, garage, screened-in porch, gazebo or any other enclosed area.
- This gas grill must not be installed in or on recreational vehicles and/or boats.
- Do not locate unit in windy settings. High winds adversely affect the cooking performance of the gas grill.
- Under no circumstances should this gas grill be modified.
- Do not operate unit under overhead combustible construction.
- Maintain proper clearance to combustibles, (18" (457mm) to rear of unit, 24" (610mm) to sides). Additional clearance of 24" (610mm) is recommended near vinyl siding or panes of glass.
- Gas must be turned off at the gas supply valve when the gas grill is not in use.
- If the enclosure is to house a propane cylinder, the tank portion of the enclosure must be ventilated according to local codes, and must not have communication with the cavity used to enclose the gas grill. A propane tank can not be stored below the gas grill.
- Do not attempt to use a cylinder that is not equipped with a QCC1 type connection.
- When the propane cylinder is connected to the appliance, the gas grill and cylinder must be stored outdoors in a well-ventilated space.
- When the gas grill is to be stored indoors, the connection between the propane cylinder and the gas grill must be disconnected and the cylinder removed and stored outdoors in a well ventilated space out of reach of children. Disconnected cylinders must not be stored in a building, garage or any other enclosed area. Natural gas units must be disconnected from the supply when being stored indoors.
- Inspect the fuel supply hose before each use. If there is evidence of excessive abrasion or wear or the hose is cut, it must be replaced prior to using the gas grill with a replacement hose assembly specified by the grill manufacturer.
- Leak test the unit before initial use, annually, and whenever any gas components are replaced.
- Follow lighting instructions carefully when operating grill.
- Burner controls must be off when turning supply cylinder valve on.
- The lid is to be closed during the gas grill preheating period on all models except the BISZ300NFT/PFT and the built-in side burner BISB245.
- The BISZ300NFT/PFT and the built-in side burner BISB245 are supplied with a flat cover for storage and protection from the elements. Never place this cover on the grill while hot or operating. Allow grill to cool completely before covering.
- Adults and especially children should be alerted to the hazards of high surface temperatures. Young children should be supervised near the gas grill.
- Do not leave grill unattended when operating.
- Do not light burners with lid closed.
- Do not operate rear burner with main burners operating.
- Do not move grill when hot or operating.
- Keep any electrical supply cord and fuel supply hose away from any heated surfaces.
- Ensure sear plates are positioned properly according to sear plate installation instructions. The holes must be towards the front of the gas grill (if applicable).
- Clean grease tray and sear plates regularly to avoid build-up, which could lead to grease fires.
- Remove warming rack before lighting rear burner. The extreme heat will damage the warming rack.
- Inspect infrared burner venturi tube for spider webs and other obstructions periodically. Clean the tubes completely if you find any such obstructions.
- Do not allow cold water (rain, sprinkler, hose, etc.) to come in contact with heated unit. A large temperature differential can cause chipping in the porcelain.
- Do not allow cold water (rain, sprinkler, hose, etc.) to come in contact with ceramic burners. A large temperature differential can cause cracking in the ceramic tile.
- Do not use a pressure washer to clean any part of the unit.

General Information

This Gas Barbecue Is Certified Under Canadian And American National Standards, CAN/CSA 1.6 – 2005 and ANSI Z21.58-2005 respectively for Outdoor Gas Grills and should be installed to conform with local codes. In absence of local codes, install to the current CAN/CGA-B149.1 Propane Installation Code in Canada or to the National Fuel Gas Code, NFPA54/ANSI Z223.1 in the United States.

If a rotisserie motor is used, it must be electrically grounded in accordance with local codes or, in absence of local codes, with the current CSA C22.1 Canadian Electrical Code in Canada or the National Electrical Code, ANSI/NFPA 70 in the United States.

California proposition 65: The burning of gas fuel creates by-products, some of which are on the list as substances known by the State of California to cause cancer or reproductive harm. When cooking with gas, always ensure adequate ventilation to the unit, to minimize exposure to such substances.

Propane Cylinder Specifications



WARNING! If these instructions are not followed exactly, a fire causing death or serious injury may occur.



WARNING! Do not store a spare propane cylinder on the shelf beneath the barbecue.

If the gas grill is being supplied with propane from a portable cylinder, a regulator specified by the manufacturer must be used. The regulator must supply a pressure of 11 inches water column (0.39 PSI) to the gas grill and have a QCC1 type fitting. Cylinders to be used with this unit must be supplied with a QCC1 cylinder valve. A QCC1 cylinder has a positive seating connection, which will not allow gas flow until a positive seal has been achieved. It is also equipped with an excess flow device. In order to attain full flow to the grill, the valves must be in the off position when the cylinder valve is turned on.

A dented or rusty cylinder may be hazardous and should be checked by your propane supplier. Never use a cylinder with a damaged valve. Use only a propane supply cylinder constructed and marked in accordance with the specifications for LP-gas cylinders of the National Standard of Canada, CAN/CSA-b339, Cylinders, Spheres and Tubes for Transportation of Dangerous Goods; and Commission, as applicable or the Specifications for LP-Gas Cylinders of the U.S. Department of Transportation (D.O.T.). Cart models have been designed for use with a 20 lb (9.1 kg) size propane cylinder only (not supplied).

The propane cylinder must be provided with a cylinder connection device compatible with the connection for outdoor cooking appliances. The propane cylinder must be provided with a shut-off valve terminating in a propane cylinder valve type QCC1, and a safety relief device having direct communication with the vapor space of the cylinder. The cylinder supply system must be arranged for vapor withdrawal and the cylinder shall include a collar to protect the cylinder valve. The cylinder shall incorporate a listed OPD (overfill protection device). Do not store a spare LP-gas cylinder under or near this appliance. Never fill the cylinder beyond 80 percent full. If the preceding information is not followed exactly, a fire causing death or serious injury may occur.

Gas Hook-Up Instructions



WARNING! This grill is designed for non-combustible enclosures only, and must be installed and serviced by a qualified installer to local codes.

WARNING! Cabinet frame, cabinet, and counter top must be made from non-combustible material.

WARNING! The pressure supplied to the grill must conform to what is listed on the rating plate of the grill (11"WC for Propane, 7" WC for Natural Gas). If the supply pressure is greater, a regulator must be installed.

BUILT IN PROPANE GAS HOOK-UP: The piping up to the gas grill is the responsibility of the installer and piping should be located as shown in the built-in instructions. A flexible metal connector is included to simplify the installation of the unit. Connect this flexible metal connector to the flare fitting on the end of the manifold. Connect the other end of the connector to the gas piping. Ensure that the connector does not pass through a wall, floor, ceiling or partition, and is protected from damage. Do not use a hose to connect the unit except to connect the cylinder regulator to the piping system. It must be connected with rigid pipe, copper tube or an approved flexible metal connector which complies with Z21.4 /CSA 6.10.

The installation must comply with CAN B149.1 Natural Gas and Propane installation code in Canada, or to the National Fuel Gas code, ANSI Z223.1 in the United States. The gas supply pipe must be sufficiently sized to supply the BTU/h specified on the rating plate, based on the length of the piping run. If installing

a side burner, a separate line must be branched off to the side burner unit and enter the side burner opening at the specified location. If the enclosure is to house a propane cylinder, the tank portion of the enclosure must be ventilated according to local codes, and must not have communication with the cavity used to enclose the gas grill. A propane cylinder can not be stored below the gas grill.

BUILT IN CYLINDER ENCLOSURES: Built in cylinder enclosures which completely enclose the cylinder must have both of the following:

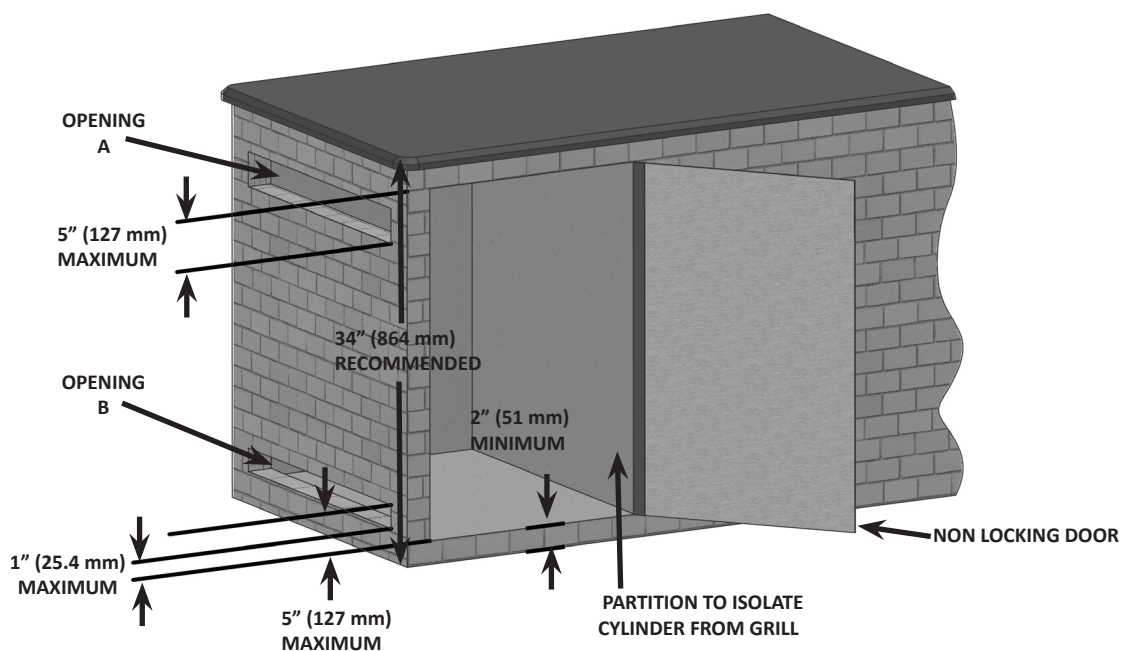
1. At least one unobstructed ventilation opening on the exposed exterior side of the enclosure located within 5 in (127mm) of the top of the enclosure. The opening must have a total free area of more than 20 in² (130 cm²) for a 20 lb (9.1 kg) cylinder and 30 in² (195 cm²) for a 30 lb (13.6 kg) cylinder.
2. At least one ventilation opening on the exposed, exterior side of the enclosure located 1 in (25.4 mm) or less from the floor level. The opening must have a total free area of more than 10 in² (65 cm²) for a 20 lb (9.1 kg) cylinder and 15 in² (100 cm²) for a 30 lb (13.6 kg) cylinder. The upper edge must be no more than 5 in (127 mm) above the floor level.

Every opening must be large enough to permit the entrance of a 1/8 in (3.2 mm) rod.



WARNING!

- The cylinder valve(s) must be readily accessible for hand operation. A door on the enclosure to gain access to the cylinder valves is acceptable, provided it is non-locking and can be opened without the use of tools.
- The enclosure for the LP-gas cylinder must isolate the cylinder from the burner compartment to provide shielding from radiation, a flame barrier, and protection from foreign material, such as hot drippings. The enclosure cannot be located directly below the grill.
- There must be a minimum clearance of 2 in (51 mm) between the floor of the LP-gas cylinder enclosure and the ground.
- The enclosure must be designed so that the LP-gas cylinder can be connected, disconnected and the connections inspected and tested outside the cylinder enclosure. Any connections that can be disturbed when installing the cylinder in the enclosure must be accessible for testing inside the enclosure.



CYLINDER SIZE	OPENING A AREA	OPENING B AREA
20 lb (9.1 kg)	20 in ² (130 cm ²)	10 in ² (65 cm ²)
30 lb (13.6 kg)	30 in ² (195 cm ²)	15 in ² (100 cm ²)

BUILT IN NATURAL GAS HOOK-UP: The piping up to the gas grill is the responsibility of the installer and piping should be located as shown in the built-in instructions. A flexible metal connector is included to simplify the installation of the unit. Connect this connector to the flare fitting on the end of the manifold. Connect the other end of the connector to the gas piping. Ensure that the connector does not pass through a wall, floor, ceiling or partition, and is protected from damage. Do not use a hose to connect the unit. It must be connected with rigid pipe, copper tube or an approved flexible metal connector which complies with Z21.4 /CSA 6.10. The installation must comply with CAN B149.1 Natural Gas and Propane Installation Code in Canada, or to the National Fuel Gas Code, ANSI Z223.1 in the United States. The gas supply pipe must be sufficiently sized to supply the BTU/h specified on the rating plate, based on the length of the piping run. If installing a side burner, a separate line must be branched off to the side burner unit and enter the side burner opening at the specified location.



WARNING! Built in units are supplied with a drip pan which holds only a minimal amount of grease. To prevent grease fires, the pan must be cleaned after each use.

WARNING! Access must be provided to the inside of the enclosure to make gas connections.



DANGER! Read all instructions carefully before operating the grill. Failure to follow these instructions exactly could result in a fire causing serious injury or death. The entire installation must be leak tested before operating the grill.

Leak Testing Instructions



WARNING! A leak test must be performed annually and each time a cylinder is hooked up or if a part of the gas system is replaced.



WARNING! Never use an open flame to check for gas leaks. Be certain no sparks or open flames are in the area while you check for leaks. Sparks or open flames will result in a fire or explosion, damage to property, serious bodily injury, or death.



Leak testing: This must be done before initial use, annually, and whenever any gas components are replaced or serviced. Do not smoke while performing this test, and remove all sources of ignition. See Leak Testing Diagram for areas to check. Turn all burner controls to the off position. Turn gas supply valve on.



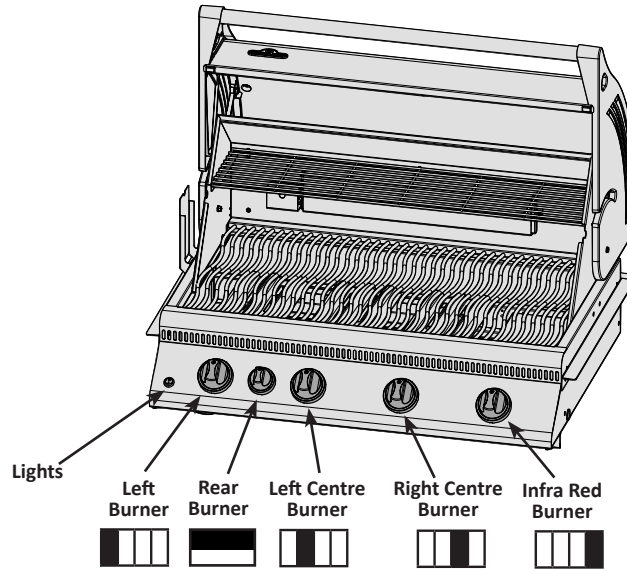
Brush a half-and-half solution of liquid soap and water onto all joints and connections of the regulator, hose, manifolds and valves.



Bubbles will indicate a gas leak. Either tighten the loose joint or have the part replaced with one recommended by the Napoleon Customer Care department and have the grill inspected by a certified gas installer.

If the leak cannot be stopped, immediately shut off the gas supply, disconnect it, and have the grill inspected by a certified gas installer or dealer. Do not use the grill until the leak has been corrected.

Lighting Instructions



WARNING! Open lid.

Off Position



WARNING! Ensure all burner controls are in the off position. Turn on the gas supply valve.

Main Tube Burner Lighting	Rear Burner Lighting (Rotisserie Burner) (if equipped)	Side Burner Lighting (If equipped)
1. Open grill lid.	1. Open grill lid.	1. Open side burner cover.
2. Push and turn any main burner knob slowly to the 'hi' position. This action will ignite the pilot flame which will in turn light the selected burner. If the pilot lights, continue to push down on the control knob until the burner lights and then release.	2. Remove the warming rack.	2. Push and turn side burner control to high position.
3. If the pilot does not ignite, then immediately turn the control knob back to the 'off' position and repeat step 2 several times.	3. Push and turn the rotisserie burner control knob slowly to the 'hi' position. This action will ignite the pilot flame which will in turn light the burner. If the pilot lights, continue to push down on the burner control knob until the burner lights then release.	3. Press and hold igniter button until burner lights, or light by match.
4. If the pilot and burner will not ignite within 5 seconds, turn the control knob to the 'off' position and wait 5 minutes for any excess gas to dissipate. Either repeat steps 2 and 3 or light with a match.	4. If the burner does not ignite, then immediately turn the control knob back to the 'off' position and repeat step 3 several times.	4. If the burner will not ignite within 5 seconds, turn the control knob to the 'off' position and wait 5 minutes for any excess gas to dissipate. Either repeat steps 2 and 3 or light with a match.
5. If lighting the unit with a match, clip the match into the supplied lighting rod. Hold the lit match down through the grill and sear plate while turning the corresponding burner valve to high.	5. If the burner will not ignite within 5 seconds, turn the control knob to the 'off' position and wait 5 minutes for any excess gas to dissipate. Either repeat steps 3 and 4 or light with a match.	



WARNING! The propane cylinder is equipped with an excess flow device. Unless all burners are turned off prior to turning the cylinder on, only small flames and low heat will be achievable.

WARNING! Do not use the rear burner (rotisserie burner) with the main burners operating.

Cooking Instructions

Initial Lighting: When lit for the first time, the gas grill emits a slight odor. This is a normal temporary condition caused by the “burn-in” of internal paints and lubricants used in the manufacturing process and does not occur again. Simply run the main burners on high for approximately one-half hour.

Main Burner Use: When searing foods, we recommend preheating the grill by operating all main burners in the high position with the lid closed for approximately 10 minutes. Food cooked for short periods of time (fish, vegetables) can be grilled with the lid open. Cooking with the lid closed will ensure higher, more even temperatures that can reduce cooking time and cook meat more evenly. Food that has a cooking time longer than 30 minutes, such as roasts, can be cooked indirectly (with the burner lit opposite to the food placement). When cooking very lean meats, such as chicken breasts or lean pork, the grids can be oiled before pre-heating to reduce sticking. Cooking meat with a high degree of fat content can create flare-ups. Either trim the fat or reduce temperatures to inhibit this. Should a flare-up occur, move food away from the flames and reduce the heat. Leave the lid open. See Your All Season Grill cookbook by Napoleon for more detailed instructions.

Infrared Main Burner Use (If Equipped): Follow the Infrared Burner Ignition procedures and operate on high for 5 minutes with the lid closed or until the ceramic burners glow red. Place food on the grill(s) and cook according to times listed in the Infrared Grilling Chart. Depending upon your taste, continue cooking over infrared burners on high, medium, or low, turning food frequently, or place food over unlit burners, close lid, and allow the oven temperature to slowly finish cooking your food.



CAUTION! Due to the intense heat the infrared burners provide, food left unattended over burners will burn quickly. Keep the lid open when cooking with the infrared burners set to high. The intense heat ensures adequate searing temperatures even with the lid open. This also allows observation of the food to prevent burning.

Direct Cooking: Place food to be cooked on the grill directly over the heat. This method is generally used for searing or for foods that do not require prolonged cooking times such as hamburgers, steaks, chicken pieces, or vegetables. The food is first seared to trap-in the juices and flavor, and then the temperature is lowered to finish cooking the food to your preference.

Indirect Cooking: With one or more burners operating, place food to be cooked on the grill over a burner that is not operating. The heat circulates around the food, cooking slowly and evenly. Cooking with this method is much the same as cooking in your oven and is generally used for larger cuts of meats such as roasts, chickens or turkeys, but can also be used for cooking foods that are prone to flare-ups or for smoking foods. Lower temperatures and slower cooking times result in tender foods.

Rear Burner Use (If Equipped): Remove the warming rack prior to use, the extreme heat will damage the warming rack. Cooking grids should also be removed if they interfere with the rotisserie. The rear burner is designed to be used in conjunction with the rotisserie kit (included with most rear burner units) available from your dealer. See the rotisserie kit assembly instructions.

To use the counterbalance - remove the rotisserie motor from the gas grill. Place the spit with meat being cooked across the hangers inside the grill. The meat will naturally hang with the heavy side down. Tighten the counterbalance arm and weight so the arm is facing up. Slide the counterweight in or out to balance the load and tighten in place. Re-install the motor and begin cooking. Place a metal dish underneath the meat to collect drippings for basting and naturally delicious gravy. Basting liquid may be added as required. To seal in juices, first operate rear burner on high until brown, then reduce the heat to thoroughly cook foods. Keep the lid closed for best results. Your roasts and fowl will brown perfectly on the outside and stay moist and tender on the inside. For example, a 3 pound chicken on the rotisserie will be done in approximately 1½ hours on medium to high. See ‘Your all Season Grill’ cookbook by Napoleon for more detailed instructions.



WARNING! Barbecue sauce and salt can be corrosive and will cause rapid deterioration of the gas grill components unless cleaned regularly. When finished cooking disassemble rotisserie components, wash thoroughly with warm soapy water and store indoors.

Infrared Heat

Most people don't realize that the heat source we are most familiar with, our sun, warms the earth using mainly infrared energy. This is a form of electro-magnetic energy with a wavelength just greater than the red end of the visible light spectrum but less than a radio wave. This energy was discovered in 1800 by Sir William Herschel who dispersed sunlight into its component colors using a prism. He showed that most of the heat in the beam fell into the spectral region just beyond the red end of the spectrum, where no visible light existed. Most materials readily absorb infrared energy in a wide range of wavelengths, causing an increase in its temperature. The same phenomenon causes us to feel warmth when we are exposed to sunlight. The infrared rays from the sun travel through the vacuum of space, through the atmosphere, and penetrate our skin. This causes increased molecular activity in the skin, which creates internal friction and generates heat, allowing us to feel warmth.

Foods cooked over infrared heat sources are heated by the same principle. Charcoal grilling is our most familiar choice for infrared cooking. The glowing briquettes emit infrared energy to the food being cooked with very little drying effect. Any juices or oils that escape from the food drip onto the charcoal and vaporize into smoke giving the food its delicious grilled taste. The Napoleon infrared burner cooks in the same way. In each burner, 10,000 ports – each with its own tiny flame – cause the surface of the ceramic tile to glow red. This glow emits the same type of infrared heat to the food as charcoal, without its hassle or mess. Infrared burners also provide a more consistently heated area that is far easier to regulate than a charcoal fire. For instant searing, the burners can be set to high, yet they can also be turned down for slower cooking. We all know how difficult that is on a charcoal fire. Traditional gas burners heat the food in a different way. The air surrounding the burner is heated by the combustion process and then rises to the food being cooked. This generates lower grill temperatures that are ideal for more delicate cuisine such as seafood or vegetables, whereas Napoleon's infrared burners produce searing heat for juicier, tastier steaks, hamburgers and other meats. For cooking times and tips refer to the Infrared Grilling Chart.

Infrared Grilling Chart

Food	Control Setting	Cooking Time	Helpful Suggestions
Steak 1 in. (2.54cm) thick	High setting 2 min. each side. High setting 2 min. each side then medium setting. High setting 2 min. each side then medium setting.	4 min. – Rare 6 min. – Medium 8 min. – Well done	When selecting meat for grilling, ask for marbled fat distribution. The fat acts as a natural tenderizer while cooking and keeps it moist and juicy.
Hamburger 1/2 in. (1.27cm) thick	High setting 2 min. each side. High setting 2 1/2 min. each side. High setting 3 min. each side.	4 min. – Rare 5 min. – Medium 6 min. – Well done	Preparing hamburgers to order is made easier by varying the thickness of your patties. To add an exotic taste to your meat, try adding hickory-flavored woodchips to Napoleon's woodchip smoker.
Chicken pieces	High setting 2 min. each side. then medium-low to low setting.	20-25 min.	The joint connecting the thigh and the leg from the skinless side should be sliced 3/4 of the way through for the meat to lay flatter on the grill. This helps it to cook faster and more evenly. To add a trademark taste to your cooking, try adding mesquite-flavoured woodchips to your Napoleon woodchip smoker.
Pork chops	Medium	6 min. per side	Trim off the excess fat before grilling. Choose thicker chops for more tender results.
Spare ribs	High setting for 5 minutes low to finish	20 min. per side turn often	Choose ribs that are lean and meaty. Grill until meat easily pulls away from the bone.
Lamb chops	High setting for 5 minutes medium to finish	15 min. per side	Trim off the excess fat before grilling. Choose extra thick chops for more tender results.
Hot dogs	Medium - Low	4-6 min.	Select the larger size wieners. Slit the skin lengthwise before grilling.

Cleaning Instructions



WARNING! Always wear protective gloves and safety glasses when servicing your grill.

WARNING! To avoid the possibility of burns, maintenance should be done only when the grill is cool. Avoid unprotected contact with hot surfaces. Ensure all burners are turned off. Clean grill in an area where cleaning solutions will not harm decks, lawns, or patios. Do not use oven cleaner to clean any part of this gas grill. Do not use a self-cleaning oven to clean cooking grids or any other parts of the gas grill. Barbecue sauce and salt can be corrosive and will cause rapid deterioration of the gas grill components unless cleaned regularly.

Note: Stainless steel tends to oxidize or stain in the presence of chlorides and sulfides, particularly in coastal areas and other harsh environments, such as the warm, highly humid atmosphere around pools and hot tubs. These stains could be perceived as rust, but can be easily removed or prevented. To provide stain prevention and removal, wash all stainless steel surfaces every 3-4 weeks or as often as required with fresh water and/or stainless steel cleaner.

Grids And Warming Rack: The grids and warming rack are best cleaned with a brass wire brush during the pre-heating period. Steel wool can be used for stubborn stains. It is normal that stainless grids (if equipped) will discolor permanently from regular usage due to the high temperature of the cooking surface.

Control Panel: The control panel text is printed directly on the stainless steel and with proper maintenance will remain dark and legible. To clean the panel, use only warm soapy water or stainless steel cleaner available from your Napoleon dealer. Never apply abrasive cleaners on any stainless surfaces, especially the printed portion of the control panel or the printing will gradually rub off.

Cleaning Inside The Gas Grill: Remove the cooking grids. Use a brass wire brush to clean loose debris from the casting sides and underneath the lid. Scrape the sear plates with a putty knife or scraper, and use a wire brush to remove the ash. Remove the sear plates and brush debris from the burners with the brass wire brush. Sweep all debris from inside the gas grill into the drip pan.



WARNING! Built in units are supplied with a drip pan which holds only a minimal amount of grease. To prevent grease fires, the pan must be cleaned after each use.

Drip Pan: Accumulated grease is a fire hazard. Clean the drip pan after each use to avoid grease buildup. Grease and excess drippings pass through to the drip pan, located beneath the gas grill. To clean the drip pan, slide the drip pan free of the grill. Never line the drip pan with aluminum foil, sand or any other material as this could prevent the grease from flowing properly. The pan should be scraped out with a putty knife or scraper.

Cleaning The Outer Grill Surface: Do not use abrasive cleaners or steel wool on any painted, porcelain or stainless steel parts of your Napoleon Grill. Doing so will scratch the finish. Exterior grill surfaces should be cleaned with warm soapy water while the metal is still warm to the touch. To clean stainless surfaces, use a stainless steel or a non-abrasive cleaner. Always wipe in the direction of the grain. Over time, stainless steel parts discolor when heated, usually to a golden or brown hue. This discoloration is normal and does not affect the performance of the grill. Porcelain enamel components must be handled with additional care. The baked-on enamel finish is glass-like, and will chip if struck. Touch-up enamel is available from your Napoleon Grill dealer.

Maintenance Instructions

We recommend this gas grill be thoroughly inspected and serviced annually by a qualified service person.

At all times keep the gas grill area free from combustible materials, gasoline and other flammable vapors and liquids. Do not obstruct the flow of ventilation and combustion air. Keep the cylinder enclosure ventilation openings (located on the cart sides and at the front and back of the bottom shelf) free and clear from debris.



WARNING! Always wear protective gloves and safety glasses when cleaning your grill.

WARNING! Turn off the gas at the source and disconnect the unit before servicing. To avoid the possibility of burns, maintenance should be done only when the grill is cool. A leak test must be performed annually and whenever any component of the gas train is replaced or gas smell is present.

Combustion Air Adjustment: (This must be done by a qualified gas installer.) The air shutter is factory set and should not need adjusting under normal conditions. Under extreme field conditions, adjustments might be required. When the air shutter is adjusted correctly the flames will be dark blue, tipped with light blue and occasionally yellow.

- With too little air flow to the burner, the flames are lazy yellow and can produce soot.
- With too much air flow, the flames lift erratically and can cause difficulties when lighting.

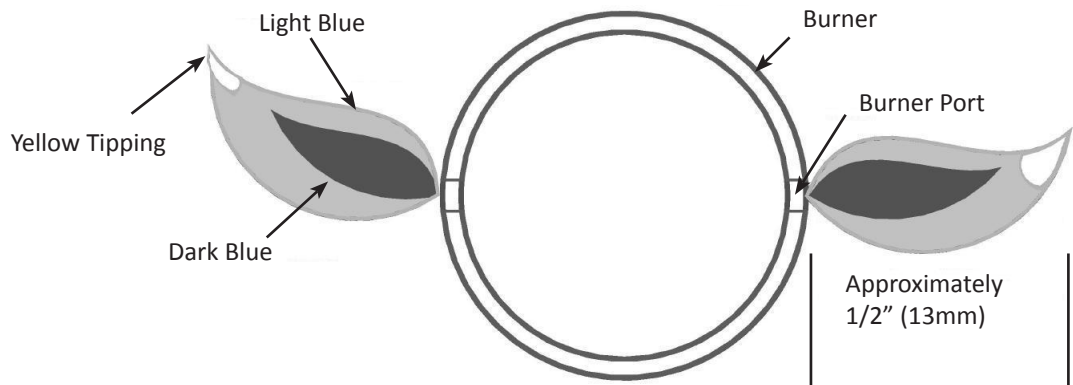
Adjusting the air shutter:

1. Remove cooking grids and sear plates and leave lid open.
2. Loosen air-shutter lock screw located at the mouth of the burner and open or close air shutter as required. The normal opening settings are:

Main Tube Burner	Propane 5/32" (4mm)
	Natural 5/32" (4mm)

***Infra-Red burners have no air adjustment.**

3. Light the burners and set to high. Visually inspect burner flames. When the shutters are set correctly, turn burners off, tighten locking screws, and replace removed parts. Ensure that the insect screens are installed.



Tube Burner: The burners are made from heavy wall 304 stainless steel, but extreme heat and a corrosive environment can cause surface corrosion to occur. This can be removed with a brass wire brush.



CAUTION! Beware of Spiders.

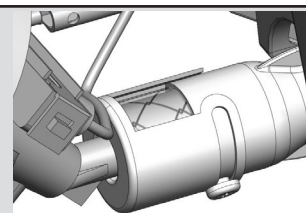
Spiders and insects are attracted to the smell of propane and natural gas. The burner is equipped with an insect screen on the air shutter, which reduces the likelihood of insects building nests inside the burner but does not entirely eliminate the problem. A nest or web can cause the burner to burn with a soft yellow or orange flame or cause a fire (flashback) at the air shutter beneath the control panel. To clean the inside of the burner, it must be removed from the gas grill: Remove the screw that attaches the burner to the back wall. Slide the burner back and upwards to remove. Cleaning: Use a flexible venturi tube brush to clean the inside of the burner. Shake any loose debris from the burner through the gas inlet. Check the burner ports and valve orifices for blockages. Burner ports can close over time due to cooking debris and corrosion, use an opened paperclip or the supplied port maintenance bit to clean them. Drill out blocked ports using this drill bit in a small cordless drill. The ports are easier to clean if the burner is removed from

the grill, but it can also be done with the burner installed. Do not flex the drill bit when drilling the ports, as this will cause the drill bit to break. This drill is for burner ports only, not for the brass orifices (jets) which regulate the flow into the burner. Take care not to enlarge the holes. Ensure the insect screen is clean, tight, and free of any lint or other debris.

Reinstallation: Reverse the procedure to reinstall the burner. Check that the valve enters the burner when installing.



WARNING! When reinstalling the burner after cleaning it is very important that the valve/orifice enters the burner tube before lighting your gas grill. If the valve is not inside the burner tube a fire or explosion could occur.



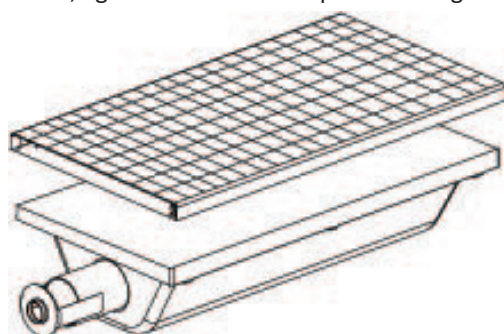
WARNING! Regulator Hose (when applicable): Check for abrasions, melting, cuts, and cracks in the hose. If any of these conditions exist, do not use the gas grill. Have the part replaced by your Napoleon Gas Grill dealer or qualified gas installer.

Aluminum Castings: Clean castings periodically with warm soapy water. Aluminum will not rust, but high temperatures and weathering can cause oxidation to occur on aluminum surfaces. This appears as white spots on the castings. To refinish these areas, clean first and sand lightly with fine sandpaper. Wipe the surface to remove any residue and paint with high temperature barbecue paint. Protect surrounding areas from over-spray. Follow the manufacture's directions for curing.

Infrared Burners: Because of the high intensity of the infrared burner, most drippings and food particles that fall onto the burner surface are immediately incinerated. However, some debris and residue may remain. To remove this residue after cooking, turn the grill on high with lid closed for 5-10 minutes. Do not clean the ceramic tile with a wire brush. If debris is collecting on your burner, simply light the burner and operate on high for 5 minutes with the lid open, allowing debris to burn off. If the back burner is not used often, grease splatter from main burner grilling will eventually block the ports. Once a month, the back burner should be fired for 5-10 minutes to burn off the accumulated grease.

Protection Of Infrared Burners: The infrared burners of your grill are designed to provide a long service life, though care must be taken to prevent cracking of their ceramic surfaces. Fractures will cause the burners to malfunction. The following provides a few of the causes of cracks and the steps you can take to avoid them. Damage caused by failure to follow these steps is not covered by your grill warranty.

1. Impact with hard objects - Never allow hard objects to strike the ceramic. Take care when inserting or removing cooking grates and accessories into or from the grill.
2. Contact with water or other liquids - Cold liquids contacting the hot ceramic surfaces can cause them to break. Never throw water into the grill to douse a flame. If the ceramic or interior of a burner becomes wet while not in use, later operation of the burner can create steam, which can produce sufficient pressure to crack the ceramic. Repeated soaking of the ceramic can also cause it to swell and expand. This expansion causes undue pressure on the ceramic that can cause it to crack and crumble.
 - i) Never throw water into the grill to control flare-ups.
 - ii) Do not attempt to operate the infrared burners in open air while raining.
 - iii) If you find standing water in your grill (because of exposure to rainfall, sprinklers, etc.), inspect the ceramic for evidence of possible water-soaking. If the ceramic appears to be wet, remove the burner from the grill. Turn it upside down to drain the excess water and bring indoors to dry thoroughly.
3. Impaired ventilation of hot air from the grill - For the burners to function properly, hot air must have a way to escape the grill. If the hot air is not allowed to escape, the burners can become deprived of oxygen causing them to back-flash. If this occurs repeatedly, the ceramic could crack. Never cover more than 75% of the cooking surface with solid metal (i.e., griddle or large pan).
4. Incorrect cleaning - Do not clean the ceramic tile with a wire brush. If debris is collecting on your burner, light the burner and operate on high for 5 minutes with the lid open, allowing debris to burn off.



REPLACEMENT SCREEN N565-0002

Troubleshooting

Problem	Possible Causes	Solution
Low heat / Low flame when valve turned to high.	<p>For propane - improper lighting procedure.</p> <p>For natural gas - undersized supply line.</p> <p>For both gases - improper preheating.</p>	<p>Ensure lighting procedure is followed carefully. All gas grill valves must be in the off position when the tank valve is turned on. Turn tank on slowly to allow pressure to equalize. See lighting instructions.</p> <p>Pipe must be sized according to installation code.</p> <p>Preheat grill with both main burners on high for 10 to 15 minutes.</p>
Excessive flare-ups/ uneven heat.	<p>Sear plates installed incorrectly.</p> <p>Improper preheating.</p> <p>Excessive grease and ash build on sear plates and in drip pan.</p>	<p>Ensure sear plates are installed with the holes towards the front and the slots on the bottom. See assembly instructions.</p> <p>Preheat grill with both main burners on high for 10 to 15 minutes.</p> <p>Clean sear plates and drip pan regularly. Do not line pan with aluminum foil. Refer to cleaning instructions.</p>
Burners burn with yellow flame, accompanied by the smell of gas.	Possible spider web or other debris, or improper air shutter adjustment.	Thoroughly clean burner by removing. See general maintenance instructions. Open air shutter slightly according to combustion air adjustment instructions. (This must be done by a qualified gas installer.)
Flames lift away from burner, accompanied by the smell of gas, and possibly difficulties in lighting.	Improper air shutter adjustment.	Close air shutter slightly according to combustion air adjustment instructions. (This must be done by a qualified gas installer.)
Rear and Side burners will not light with the igniter, but will light with a match.	<p>Dead battery / or installed incorrectly.</p> <p>Loose electrode wire or switch terminal wires.</p> <p>Lifting flames on burner.</p>	<p>Replace with premium heavy duty battery.</p> <p>Check that electrode wire is firmly pushed onto the terminal on the back of the igniter. Check that the lead wires from the module to the ignition switch (if equipped) are firmly pushed onto their respective terminals.</p> <p>Close air shutter slightly - see previous problem.</p>
Main burner will not light with the igniter, but will light with a match.	Jet-fire outlet is dirty or clogged.	Clean jet-fire outlet with a soft bristle brush.
Humming regulator.	Normal occurrence on hot days.	This is not a defect. It is caused by internal vibrations in the regulator and does not affect the performance or safety of the gas grill. Humming regulators will not be replaced.

Problem	Possible Causes	Solution
Burners will not cross light each other.	Dirty or corroded cross light brackets.	Clean or replace as required.
"Paint" appears to be peeling inside lid or hood.	Grease build-up on inside surfaces.	This is not a defect. The finish on the lid and hood is porcelain, and will not peel. The peeling is caused by hardened grease, which dries into paint-like shards, that flake off. Regular cleaning will prevent this. See cleaning instructions.
Burner output on "high" setting is too low. (Rumbling noise and fluttering blue flame at burner surface.)	<p>Lack of gas.</p> <p>Supply hose is pinched.</p> <p>Dirty or clogged orifice.</p> <p>Spider webs or other matter in venturi tube.</p> <p>Propane regulator in "low flow" state.</p>	<p>Check gas level in propane cylinder.</p> <p>Reposition supply hose as necessary.</p> <p>Clean burner orifice.</p> <p>Clean out venturi tube.</p> <p>Ensure lighting procedure is followed carefully. All gas grill valves must be in the off position when the tank valve is turned on. Turn tank on slowly to allow pressure to equalize. See lighting instructions.</p>
Infrared burner (if equipped) flashes back (during operation the burner abruptly makes a loud "whoosh" sound, followed by a continuous blow-torch type sound and grows dim.)	<p>Ceramic tiles overloaded with grease drippings and build-up. Ports are clogged.</p> <p>Burner overheated due to inadequate ventilation (too much grill surface covered by griddle or pan.)</p> <p>Cracked ceramic tile.</p> <p>Leaking gasket surrounding the ceramic tile, or a weld failure in the burner housing.</p>	<p>Turn burner off and allow to cool for at least two minutes. Relight burner and burn on high for at least five minutes or until the ceramic tiles are evenly glowing red.</p> <p>Ensure that no more than 75% of the grill surface is covered by objects or accessories. Turn burner off and allow to cool for at least two minutes, then relight.</p> <p>Allow burner to cool and inspect very closely for cracks. If any cracks are found, contact your authorized Napoleon dealer to order a replacement burner assembly.</p> <p>Contact your authorized Napoleon dealer for instructions on ordering a replacement burner assembly.</p>

KEEP YOUR RECEIPT AS PROOF OF PURCHASE TO VALIDATE YOUR WARRANTY.

Ordering Replacement Parts

Warranty Information

MODEL: _____

DATE OF PURCHASE: _____

SERIAL NUMBER: _____

(Record information here for easy reference)

Before contacting the Customer Care Department, check the NAC Website for more extensive cleaning, maintenance, troubleshooting and parts replacement instructions at www.napoleongrills.com. Contact the factory directly for replacement parts and warranty claims. Our Customer Care Department is available between 9 AM and 5 PM (Eastern Standard Time) at 1-866-820-8686 or fax at 1-705-727-4282. To process a claim, we must be provided with the following information:

1. Model and serial number of the unit.
2. Part number and description.
3. A concise description of the problem ('broken' is not sufficient).
4. Proof of purchase (photocopy of the invoice).

In some cases the Customer Care Representative could request to have the parts returned to the factory for inspection before providing replacement parts. These parts must be shipped prepaid to the attention of the Customer Care Department with the following information enclosed:

1. Model and serial number of the unit.
2. A concise description of the problem ('broken' is not sufficient).
3. Proof of purchase (photocopy of the invoice).
4. Return Authorization Number - provided by the Customer Care Representative.

Before contacting customer care, please note that the following items are not covered by the warranty:

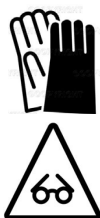
Costs for transportation, brokerage or export duties.

Labor costs for removal and reinstallation.

Costs for service calls to diagnose problems.

Discoloration of stainless steel parts.

Part failure due to lack of cleaning and maintenance, or use of improper cleaners (oven cleaner).



CAUTION! During unpacking and assembly we recommended you wear work gloves and safety glasses for your protection. Although we make every effort to make the assembly process as problem free and safe as possible, it is characteristic of fabricated steel parts that the edges and corners might be sharp and could cause cuts if handled incorrectly.

Getting Started

1. Remove all cart panels, hardware, and grill head from carton. Raise lid and remove any components packed inside. Use the parts list to ensure all necessary parts are included.
2. Do not destroy packaging until the grill has been fully assembled and operates to your satisfaction.
3. Assemble the grill where it is to be used, lay down cardboard or a towel to protect parts from being lost or damaged while assembling.
4. Most stainless steel parts are supplied with a protective plastic coating that must be removed prior to using grill.
5. Follow all instructions in the order that they are laid out in this manual.
6. Two people are required to lift the grill head onto the assembled cart.

If you have any questions about assembly or grill operation, or if there are damaged or missing parts please call our Customer Care Department at 1-866-820-8686 between 9 AM and 5 PM (Eastern Standard Time).

TOOLS REQUIRED FOR ASSEMBLY (tools not included)

3/8 (10mm)
Wrench,
ratchet or driver



Flat and Philips
screwdrivers



Pliers



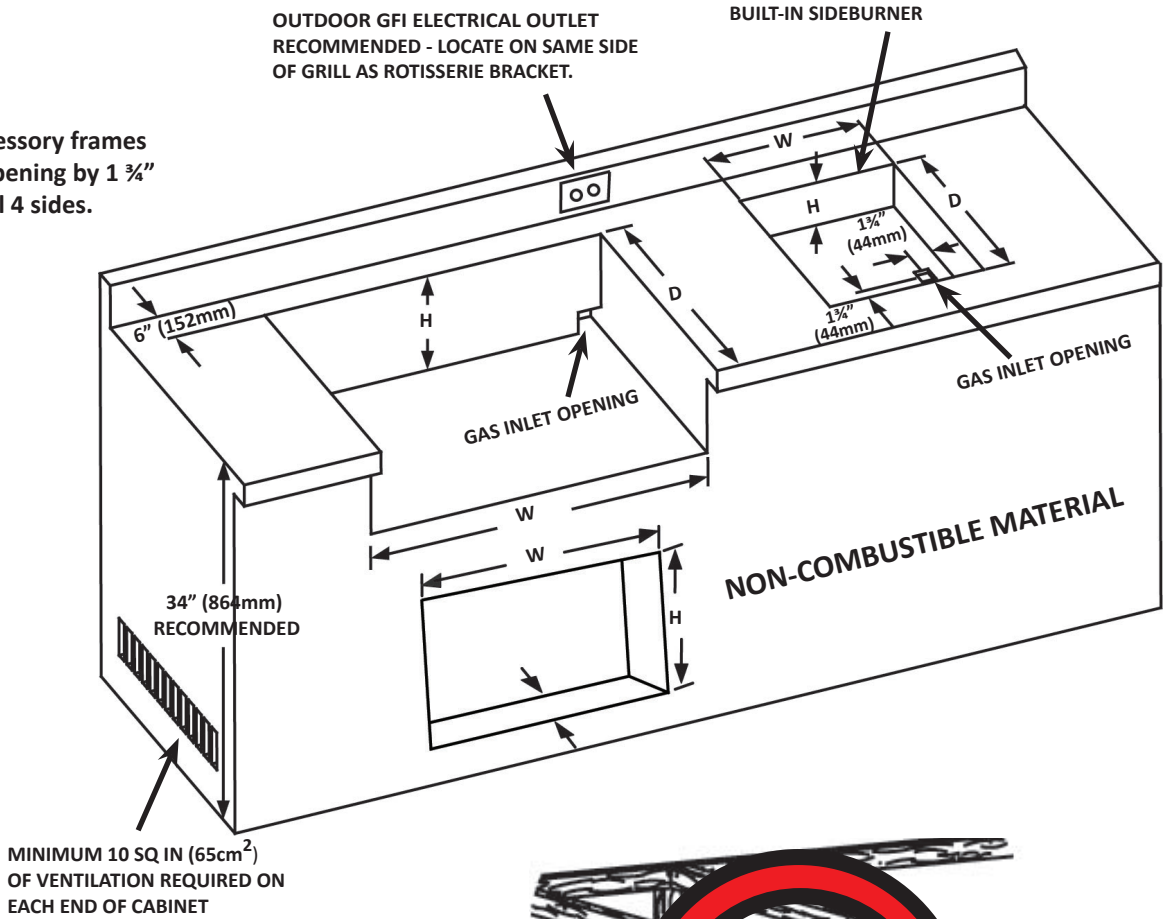
Hammer



BUILT-IN UNIT OPENING DIMENSIONS

MODEL	OPENING DIMENSIONS			NOTES
	W	D	H	
BIM605	36 1/2" 927mm	21 3/8" 543mm	7 1/2" 191mm	
SIDE BURNER	12 3/4" 324mm	16 1/2" 419mm	4 1/2" 114mm	OPENING OF AT LEAST 5 SQ (32cm ²) IN MUST BE PROVIDED FOR COMBUSTION AIR FOR SIDE BURNER.

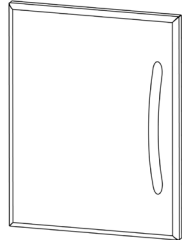
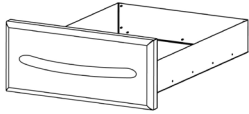
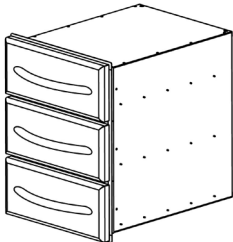
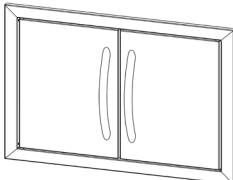
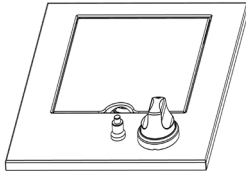
Note: Accessory frames overlap opening by 1 3/4" (4cm) on all 4 sides.



WARNING! CABINET FRAME, CABINET AND COUNTER TOP MUST BE MADE FROM NON-COMBUSTIBLE MATERIAL.

BUILT-IN ACCESSORY OPENING DIMENSIONS

OPENING DIMENSIONS

PART #	DESCRIPTION	PICTURE	W	H	D
N370-0361	PF STYLE STAINLESS STEEL DOOR		17" (432mm)	23 ¼" (591mm)	
N370-0359	PF STYLE STAINLESS STEEL SINGLE DRAWER		17 ¼" (438mm)	6 ¾" (171mm)	23" (584mm)
N370-0360	PF STYLE STAINLESS STEEL TRIPLE DRAWER		17 ¼" (438mm)	22 ¾" (578mm)	23" (584mm)
N370-0502 N370-0503	DOUBLE DOOR SMALL DOUBLE DOOR LARGE * FRAMES PROTRUDE FROM FACE OF CABINET BY ¾"		28 ½" (718mm) 37 ¾" (959mm)	20 ¼" (514mm) 20 ¼" (514mm)	
N370-0504 N370-0505	SIDE BURNER PROPANE SIDE BURNER NATURAL		12 ¾" (324mm) 12 ¾" (324mm)	4 ½" (114mm) minimum	16 ½" (419mm) 16 ½" (419mm)

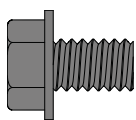
BI ACCESSORY DRAWER INSTRUCTIONS

1. Unpack the drawer frame assembly.
2. Remove the drawers from the enclosure by fully extending them and then lifting up to remove them from the slides.
3. Shim the opening to ensure that the enclosure fits snugly into the opening. Ensure that the side shims are located at the same height as the enclosure mounting holes. The bottom of the opening may need to be shimmed as well to ensure that the front of the enclosure is plumb.
4. Once the enclosure is level and square, fasten into place. (Fasteners not included).
5. Re-install the drawers by tipping the back of the drawer down into the slide. Once the wheels are inserted into the slide, lower the front of the drawer until it is level, then push in. Note: if the enclosure is installed with shims that are too thick, the wheel will not engage into the slide. The shim thickness will need to be reduced.
6. Remove the protective coating from all remaining surfaces.

BI ACCESSORY DOOR INSTRUCTIONS

1. Unpack the door and frame.
 - a. For the curved stainless steel doors, remove the door(s) from the frame by lifting the door while holding on to the pivot rod. This will allow the pivot rod to come out of the hole on the bottom of the frame. Once the pivot is removed from the bottom hole, the entire door can be dropped and removed from the frame.
 - b. For the PF style stainless steel door, the door needs to be removed by loosening the center philips screw on the hinge furthest away from the door. This will allow the hinge to separate.
 - c. For double door kits N370-0502/N370-0503, refer to the instructions included with the door kit.
2. Center the frame in the opening. Mark the location of the pivot holes, top and bottom. Remember on the PT600 double doors, there will be a pivot rod on both ends. The PF style doors do not have pivot rods. Once all pivot holes are marked, remove the frame and using a 3/8" drill bit, drill out the clearance holes for the pivot rod. These clearance holes should be at least 1/2" deep. After the holes are complete, you may once again center the frame in the opening. Starting with the hinged side, shim between the frame and side wall of the opening. Ensure the shims are close to the hinge on the PF style doors. When the frame side wall is plumb, fasten it to the cabinet with screws (not provided). Attach the other side of the frame in the same fashion, ensuring the frame is square.
3. Other than on the curved stainless steel double door kit, fasteners are not required on the top and bottom of the frame. The curved stainless steel double door frame must be fastened in the center both at the top and bottom.
4. Once the frame has been secured and checked for squareness, the door can be re-installed.
5. Remove the protective coating from all remaining surfaces.

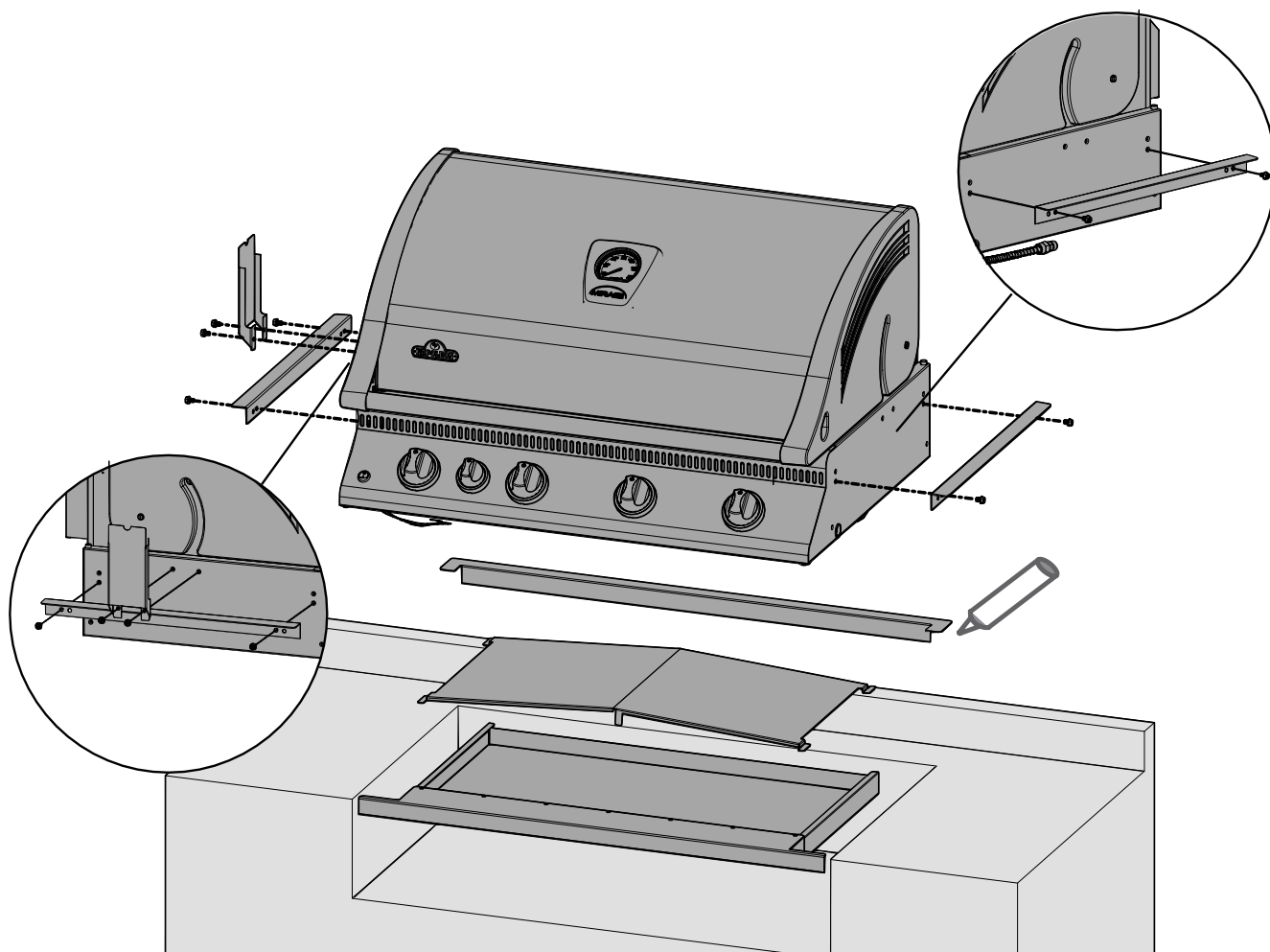
BIM605 BUILT-IN INSTRUCTIONS



6 x N570-0073 (1/4-20 X 3/8")

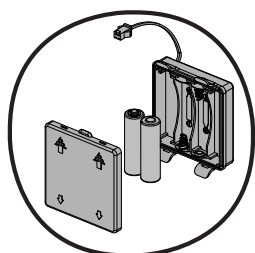


3/8"(10mm)

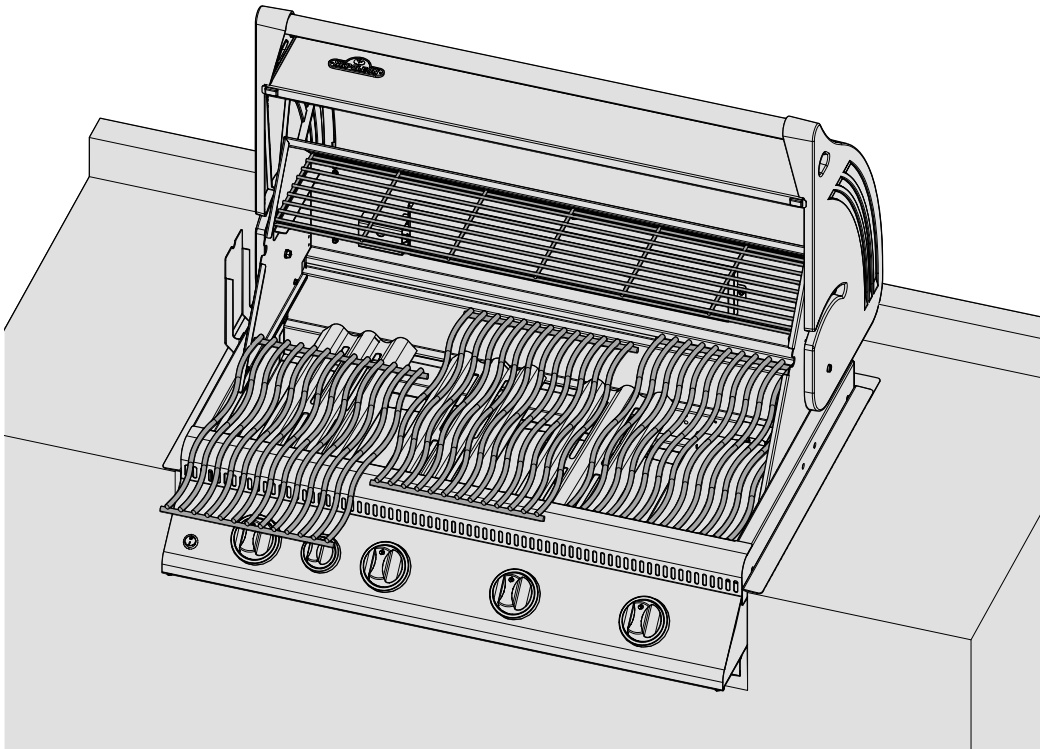
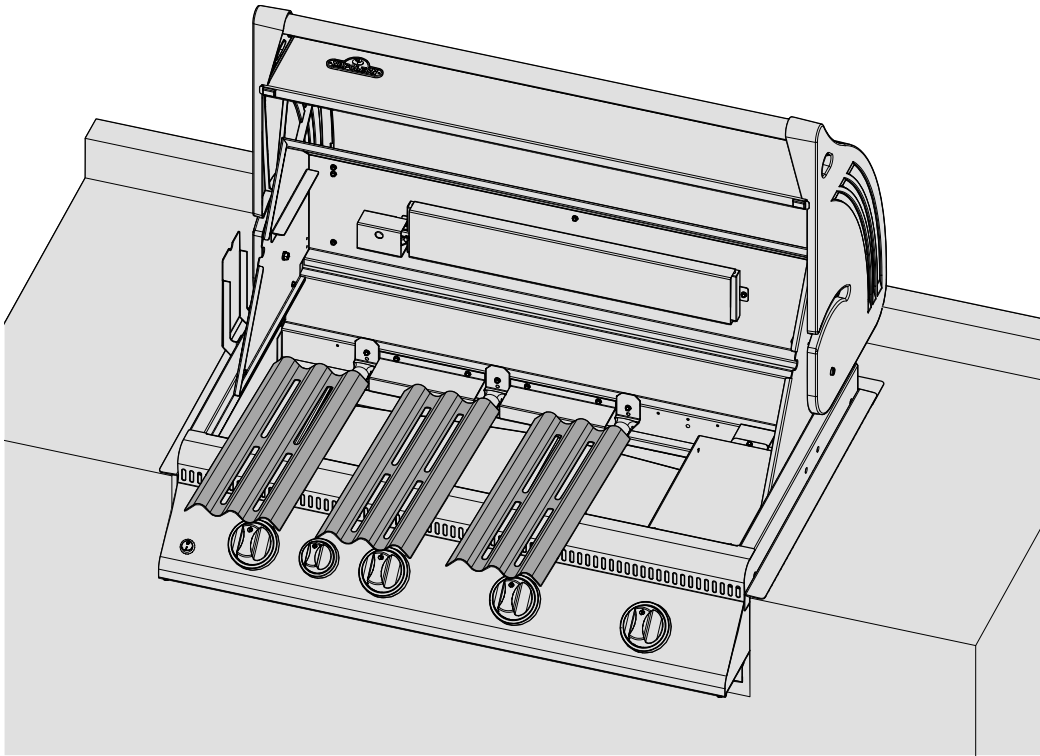


This grill is designed for masonry, NON-COMBUSTIBLE enclosures only, and must be installed and serviced by a qualified installer to local codes.

1. Attach side mounting brackets to each side of the grill using #1/4-20 x 3/8" screws (N570-0073).
2. Lay the rear trim piece across the back of the opening. To keep it in place, a dab of silicone may be applied to each wing of the rear trim.
3. Lower the unit in place, the wings on the rear trim should be under the side mounting brackets. Connect the flex supply line to the fitting at the end of the manifold.
4. The entire installation must be leak tested before operating the unit.



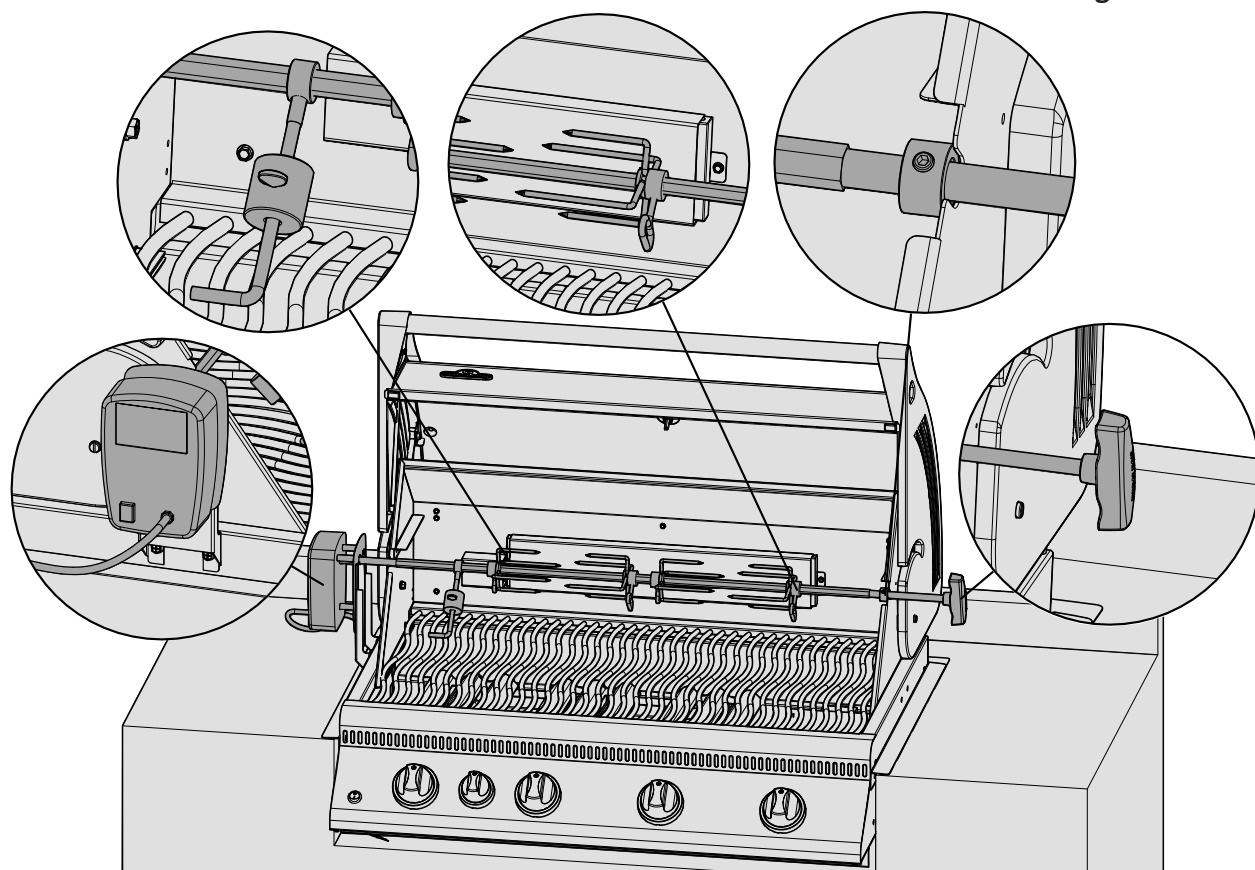
Install battery's as illustrated. Plug wire from LED (lights) located underneath control panel into wire from battery pack. Ensure wires do not come in contact with the bottom of the grill. The battery pack module must be mounted inside the enclosure, at least 8 inches (20cm) below the bottom of the drippan, to prevent the module from overheating. Ensure wires and module do not interfere with drippan removal.



Rotisserie Kit Assembly Instruction **(optional)**

Assemble rotisserie kit components as shown.

**Ensure stop bushing is
tightened on the inside of
hood casting.**



Leak Testing Instructions



WARNING! A leak test must be performed annually and each time a cylinder is hooked up or if a part of the gas system is replaced.



WARNING! Never use an open flame to check for gas leaks. Be certain no sparks or open flames are in the area while you check for leaks. Sparks or open flames will result in a fire or explosion, damage to property, serious bodily injury, or death.

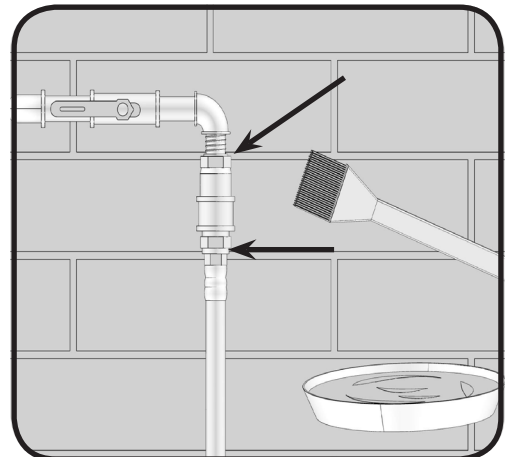
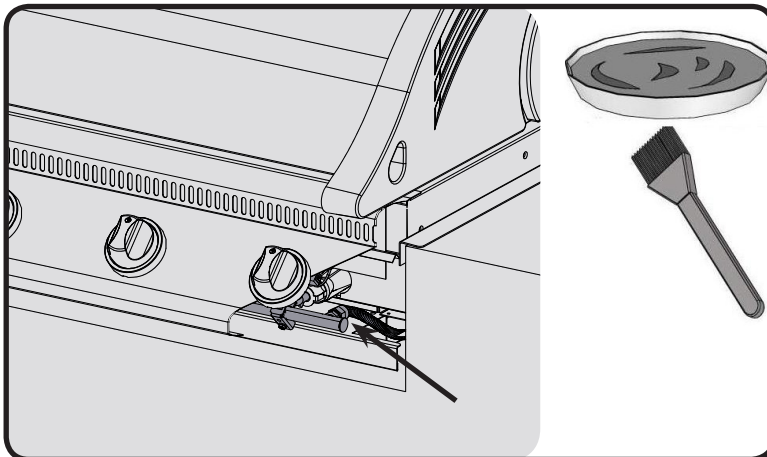


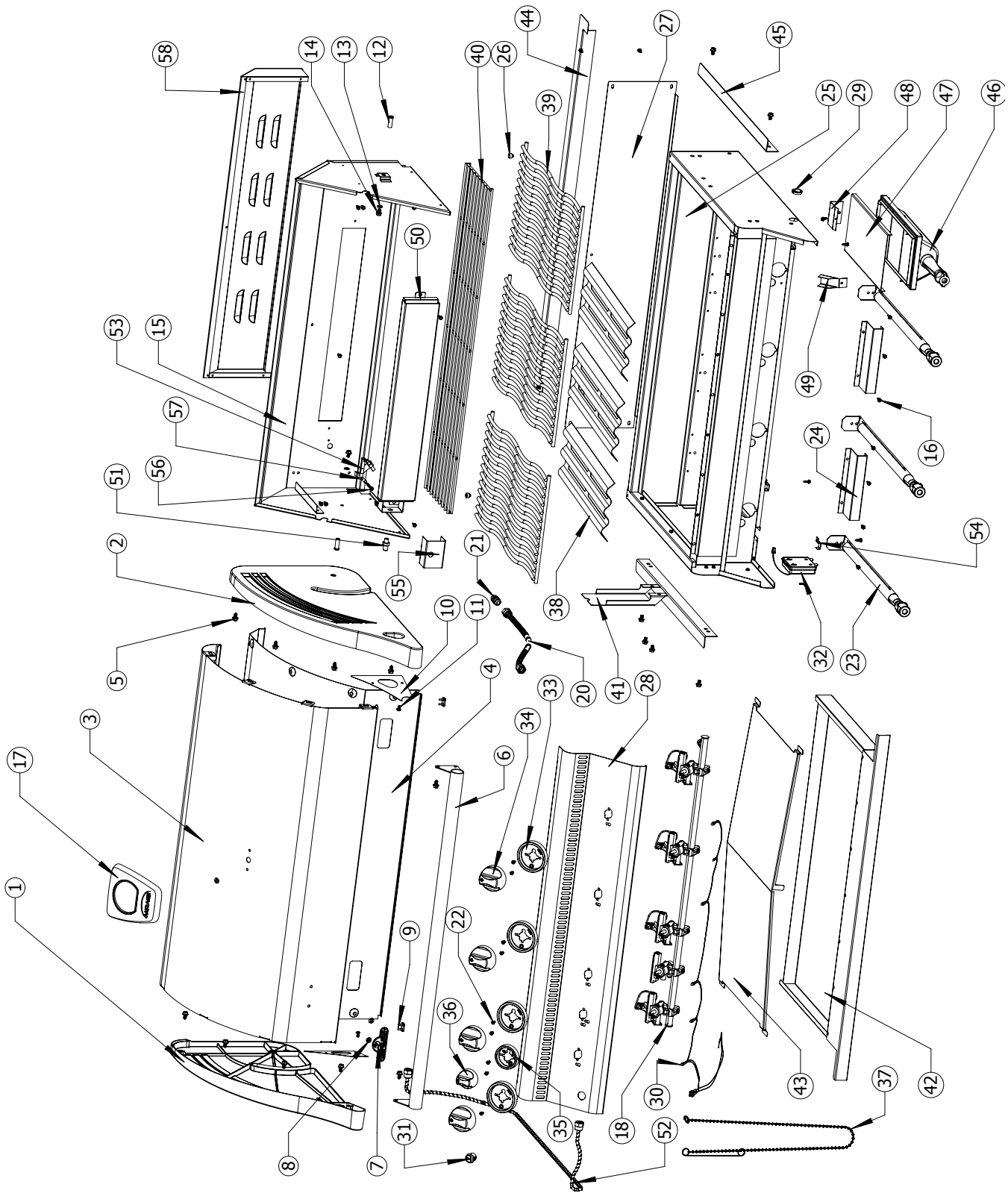
Leak testing: This must be done before initial use, annually, and whenever any gas components are replaced or serviced. Do not smoke while performing this test, and remove all sources of ignition. See Leak Testing Diagram for areas to check. Turn all burner controls to the off position. Turn gas supply valve on.

Brush a half-and-half solution of liquid soap and water onto all joints and connections of the regulator, hose, manifolds and valves.

Bubbles will indicate a gas leak. Either tighten the loose joint or have the part replaced with one recommended by the Napoleon Customer Care department and have the grill inspected by a certified gas installer.

If the leak cannot be stopped, immediately shut off the gas supply, disconnect it, and have the grill inspected by a certified gas installer or dealer. Do not use the grill until the leak has been corrected.





Parts List

Item	Part #	Description	
1	N135-0042-GY1HT	left side lid casting	x
2	N135-0043-GY1HT	right side lid casting	x
3	N335-0044L	stainless steel lid insert	x
4	N585-0081	lid heat shield	x
5	N570-0091	1/4-20 x 1/2" screw	x
6	N010-0738	lid handle	x
7	N385-0129	NAPOLEON logo	x
8	N450-0044	logo clips	x
9	N510-0013	black silicone lid bumper	x
10	N080-0287-GY1HT	lid handle cover	x
11	N570-0042	#10-24 x 3/8" screw	x
12	N570-0015	lid pivot screw	x
13	N735-0003	1/4" lock washer	x
14	N570-0073	1/4-20 x 3/8" screw	x
15	N010-0513	hood	x
16	N570-0008	#8 x 1/2" screw	x
17	N685-0016	temperature gauge	x
18	N010-0544	manifold assembly	p
19	N010-0545	manifold assembly	n
20	N720-0044	flex connector	x
21	W445-0031	union fitting 3/8" - 1/2"	x
22	N570-0078	m4 x 8mm screw	x
23	N100-0036	main burner	x
24	N080-0208	main burner cross light bracket	x
25	N010-0509	base	x
26	Z510-0003	black silicone bumper	x
27	N200-0079-GY1SG	back cover	x
28	N475-0317	control panel	x
29	N105-0001	bushing 7/8"	x
30	N750-0021B	wiring harness led	x
31	N660-0002	switch light	x
32	N190-0001	battery pack	x
33	N051-0006	control knob bezel	x
34	N380-0021-CL	control knob	x
35	N051-0008	control knob bezel	x
36	N380-0020-CL	control knob	x
37	N555-0025	lighting rod	x
38	N305-0057-M05	sear plate	x
39	N305-0060	cooking grid	x
40	N520-0024	warming rack	x
41	N475-0301-M06	rotisserie mount	x
42	N010-0782	drip pan	x
43	N585-0045	heat shield drip pan	x
44	N715-0085	rear trim	x

Parts List

Item	Part #	Description	
45	N080-0216	bracket unit mount	x
46	N010-0499	infra red main burner	x
47	N565-0002	infrared burner screen	x
48	N080-0207	support bracket infra red burner	x
49	N215-0007	deflector infra red main burner	x
50	N010-0527P	infra red rear burner	p
	N010-0527N	infra red rear burner	n
51	N455-0051	rear burner orifice #1.15mm	P
	N455-0052	rear burner orifice #51	n
52	N720-0053	rear burner supply tube	x
53	N240-0024P	rear burner electrode c/w pilot	p
	N240-0024N	rear burner electrode c/w pilot	n
54	N160-0017	clip rear burner tube	x
55	N080-0206	rear burner electrode cover	x
56	Z570-0002	rear burner electrode cover screw	x
57	N615-0011	rear burner electrode cover spacer	x
58	N200-0080	infra red rear burner cover	x
	N020-0126	fastener baggie	x
	65331	rotisserie kit	ac
	63661	vinyl cover	ac
	56018	stainless steel griddle	ac
	67731	charcoal tray	ac

p - propane units only

n - natural gas units only

x - standard

ac - accessory



FAX TO: 705 727 4282

ACCESSORIES & PARTS ORDER FORM

PLEASE PRINT CLEARLY

CONTACT NAME: _____

SHIP TO : _____

TEL : _____

FAX : _____

EMAIL: _____

VISA OR MASTERCARD # : _____ **EXPIRY DATE:** _____

SIGNATURE: _____

QUANTITY	PART NUMBER	DESCRIPTION

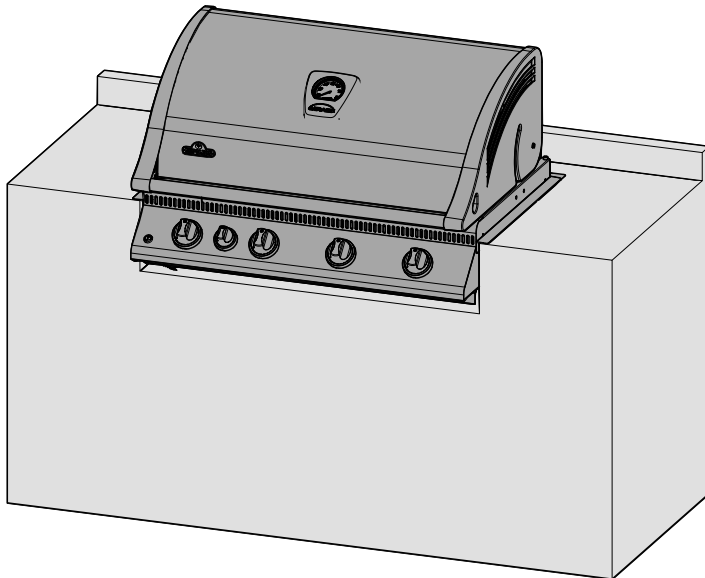
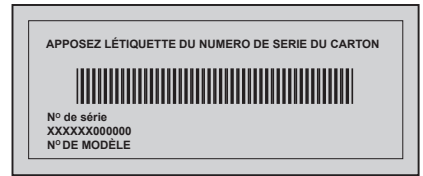
TAXES MAY APPLY
 SHIPPING EXTRA

IF CONFIRMATION IS REQUIRED PLEASE INCLUDE A FAX NUMBER OR EMAIL ADDRESS

Ce gril doit être utilisé uniquement à l'extérieur, dans un endroit bien aéré et ne doit jamais être utilisé à l'intérieur d'un bâtiment, d'un garage, un gazebo, une véranda avec paramoustique, ou de tout autre endroit fermé.



LE GRIL DU GOURMET



BIM605



AVERTISSEMENT! LA CHARPENTE DU CABINET, LE CABINET ET LE COMPTOIR DOIVENT ÊTRE FAITS DE MATÉRIAUX INCOMBUSTIBLES.



DANGER

SI VOUS DÉTECTEZ UNE ODEUR DE GAZ :

- Fermez l'alimentation en gaz à l'appareil.
- Éteignez toute flamme nue.
- Ouvrez le couvercle.
- Si l'odeur persiste, éloignez-vous de l'appareil et appelez immédiatement votre fournisseur de gaz ou le service des incendies.



AVERTISSEMENT

Ne tentez pas d'allumer cet appareil avant d'avoir lu la section "INSTRUCTIONS D'ALLUMAGE" de ce manuel.

Pour votre sécurité n'entreposez pas et n'utilisez pas d'essence ou autres liquides et vapeurs inflammables à proximité de cet ou tout autre appareil. Une bonbonne de propane de propane non branchée ne devrait pas être entreposée à proximité de cet ou de tout autre appareil. Si ces instructions ne sont pas suivies à la lettre, un feu ou une explosion pourraient s'ensuivre, causant des dommages à la propriété, des blessures corporelles ou des pertes de vie.

Note à l'installateur : Laissez ces instructions au propriétaire du gril pour consultation ultérieure.



Intertek
N415-0301 SEP 16/13

Napoleon Appliance Corp.,
214 Bayview Dr., Barrie, Ontario, Canada L4N 4Y8 Phone: 1-705-726-4278 Fax: (705)725-2564
www.napoleongrills.com

Customer service: 1-866-820-8686 or wecare@napoleonproducts.com



MERCI D'AVOIR CHOISI NAPOLÉON

Les produits NAPOLÉON sont conçus avec des composants et des matériaux de qualité supérieure, assemblés par des artisans qualifiés qui sont fiers de leur travail. Le brûleur et le montage de la soupape subissent un test de détection de fuites et d'allumage à une station de test de qualité. Ce gril a été soigneusement inspecté par un technicien qualifié avant d'être emballé et expédié pour garantir que vous, le client, recevez le produit de qualité dont vous vous attendez de NAPOLÉON.

Chez Napoléon, notre priorité c'est vous, « notre important client ». Notre objectif est de vous fournir les outils nécessaires pour rendre inoubliable cette expérience de cuisson sur le gril. Ce manuel vous est fourni pour vous aider lors de l'assemblage, l'installation et l'entretien de votre nouveau gril. Il est important de lire et de comprendre ce manuel en entier avant d'utiliser votre nouveau gril afin de vous assurer de comprendre parfaitement toutes les consignes de sécurité et toutes les caractéristiques de votre gril. En suivant attentivement les instructions de ce manuel, vous profiterez de votre gril pendant de nombreuses années, et ce, sans tracas. Si nous ne répondons pas à vos attentes pour quelque raison que ce soit, veuillez contacter notre département du service aux consommateurs au 1-877-753-6294 entre 9 h et 17 h (heure normale de l'Est) ou visitez notre site Web.

FR



GARANTIE À LIMITÉE DU PRÉSIDENT DES GRILS À GAZ NAPOLÉON

NAPOLÉON garantit votre nouveau gril à gaz contre tous défauts concernant les matériaux et la fabrication tant et aussi longtemps que vous êtes propriétaire du gril. Cette garantie couvre : la fonte d'aluminium (excluant la peinture), les plateaux LUXIDIO®, les tablettes latérales en acier inoxydable, les brûleurs en acier inoxydable, les appliqués pour couvercle en acier inoxydable et les poignées de couvercle, sous réserve des conditions suivantes. Pendant les cinq premières années, NAPOLÉON fournira gratuitement les pièces de rechange selon son choix. De la sixième année à vie, NAPOLÉON fournira les pièces de rechange à 50 % du prix de détail courant.

Les composants tels que les plaques de brûleur en acier inoxydable, les grilles de cuisson en acier inoxydable et de fonte grilles de cuisson, soupapes avec système d'allumage intégrées, les jauges de température, les boutons de contrôle, et les brûleurs infrarouges en céramique (à l'exclusion des écrans) et les soupapes en laiton sont couverts et NAPOLÉON fournira les pièces gratuitement durant les deux premières années de la garantie limitée.

Tous les autres composants tels que le régulateur, les roulettes, les grilles de réchaud, les boyaux et les raccords, i-GLOW™, les pièces d'assemblage et les accessoires sont couverts et NAPOLÉON fournira les pièces gratuitement durant la première année de la garantie limitée.

NAPOLÉON n'assumera aucun frais de transport, de main-d'œuvre ou taxes d'exportation.

Conditions Et Limitations

"NAPOLÉON garantit ses produits contre tous défauts de fabrication à l'acheteur d'origine seulement, à condition que l'achat ait été fait par l'entremise d'un représentant autorisé NAPOLÉON et sous réserve des conditions et limitations suivantes."

Cette garantie d'usine n'est pas transférable et ne peut être prolongée par aucun de nos représentants qu'elle qu'en soit la raison.

Le gril à gaz doit être installé par un installateur ou entrepreneur qualifié. L'installation doit être faite conformément aux instructions d'installation incluses avec le produit et à tous les codes d'incendie et de construction locaux et nationaux.

Cette garantie limitée ne couvre pas les dommages causés par un usage impropre, un manque d'entretien, feux de graisse, un environnement inadéquat, un accident, des modifications, de l'abus ou de la négligence. L'installation de pièces d'autres fabricants annulera cette garantie.

Cette garantie limitée ne couvre pas non plus les éraflures, les bosselures, la corrosion ou la décoloration causés par la chaleur ou les produits d'entretien chimiques et abrasifs ni l'écaillage des pièces de porcelaine émaillée ni les composants utilisées dans l'installation du gril à gaz.

Dans le cas d'une détérioration des composants causant un mauvais fonctionnement pendant la période couverte par la garantie, un remplacement part des composants sera effectué.

Au cours de la première année seulement, cette garantie s'applique à la réparation ou au remplacement des pièces garanties dont les matériaux ou la fabrication sont défectueux à la condition que le produit ait été utilisé conformément aux instructions d'opération et dans des conditions normales.

Après la première année, selon cette Garantie à vie limitée du Président NAPOLÉON peut, à sa discrétion, se libérer complètement de toutes ses obligations en ce qui concerne cette garantie en remboursant à l'acheteur d'origine le prix de gros de toutes pièces garanties qui sont défectueuses.

NAPOLÉON ne sera pas responsable de l'installation, main-d'œuvre ou autres coûts ou dépenses relatives à la réinstallation d'une pièce garantie car de telles dépenses ne sont pas couvertes par cette garantie.

Nonobstant toutes les dispositions contenues dans cette Garantie à vie limitée du Président, la responsabilité de NAPOLÉON sous cette garantie est définie comme ci-dessus et elle ne s'appliquera à aucun dommage accidentel, consécutif ou indirect.

Cette garantie définit les obligations et responsabilités de NAPOLÉON en ce qui concerne le gril à gaz NAPOLÉON. Tout autre garantie énoncée ou implicite en ce qui concerne ce produit, ses composants ou accessoires est exclue.

NAPOLÉON n'endosse ni n'autorise aucun tiers à assumer en son nom, tout autre responsabilité concernant la vente de ce produit. NAPOLÉON ne se tiendra pas responsable d'une surchauffe ou d'explosions causées par des conditions environnementales tel que des vents forts ou une ventilation inappropriée.

Tous dommages causés au gril par la température, un usage abusif ou l'utilisation de produits d'entretien chimiques ou abrasifs ne seront pas la responsabilité de NAPOLÉON.

La facture ou une copie sera requise ainsi que le numéro de série et de modèle du gril lors d'une réclamation auprès de NAPOLÉON.

NAPOLÉON se réserve le droit de demander à son représentant d'inspecter tous produits ou pièces avant d'approuver les réclamations.

NAPOLÉON n'assumera aucun frais de transport, de main-d'œuvre ou taxes d'exportation.



AVERTISSEMENT! Si ces instructions ne sont pas suivies, des dommages matériels, des blessures corporelles ou des pertes de vie pourraient s'ensuivre. Lisez et respectez tous les avertissements et les instructions de ce manuel avant de faire fonctionner le grill.

Pratiques Sécuritaires D'utilisation

- Ce grill à gaz doit être assemblé conformément aux instructions du manuel. Si le grill a été assemblé en magasin, vous devez réviser les instructions d'assemblage afin de confirmer que le grill ait été assemblé correctement et aussi pour effectuer un test de détection de fuite avant d'utiliser le grill.
- Lire le manuel d'instructions au complet avant d'utiliser le grill.
- Ce grill doit être utilisé uniquement à l'extérieur, dans un endroit bien aéré et ne doit jamais être utilisé à l'intérieur d'un bâtiment, d'un garage, un gazebo, une véranda avec paramoustique, ou de tout autre endroit fermé.
- Ce grill à gaz n'est pas conçu pour être installé dans ou sur des véhicules récréatifs et/ou des bateaux.
- N'installez pas le grill dans un endroit venteux. Les vents forts nuiront à la performance de cuisson de votre grill.
- Ce grill ne devra être modifié en aucun cas.
- Ne pas utiliser le grill sous une construction inflammable quels.
- Respecter les dégagements recommandés des matériaux inflammables (18" (457mm) à l'arrière du grill et 24" (610mm) sur les côtés). Une distance plus grande 24" (610mm) est recommandée à proximité d'un recouvrement de vinyle ou d'une surface vitrée.
- Lorsque le grill n'est pas utilisé, l'alimentation en gaz doit être fermée.
- Si le cabinet doit servir de rangement pour le réservoir de propane, la partie du cabinet servant de rangement au réservoir doit être ventilée selon les codes locaux et ne doit pas communiquer avec la partie servant à encastrer le grill. Un réservoir de propane ne peut pas être rangé sous le grill.
- Ne pas tenter d'utiliser une bonbonne qui n'est pas équipée d'un raccord de type QCC1.
- Lorsque la bonbonne de propane n'est pas débranchée du grill, la bonbonne et le grill doivent être entreposés à l'extérieur, dans un endroit bien aéré.
- Lorsque le grill doit être entreposé à l'intérieur, la bonbonne de propane doit être débranchée du grill et entreposée à l'extérieur dans un endroit bien aéré, hors de la portée des enfants. Les bonbonnes de propane ne doivent en aucun temps être entreposées à l'intérieur d'un bâtiment, d'un garage ou de tout autre endroit fermé. Les appareils au gaz naturel doivent être débranchés de leur source d'alimentation en gaz lorsqu'ils sont entreposés à l'intérieur.
- Inspectez le tuyau d'alimentation en gaz avant chaque utilisation. S'il montre des signes de fendillement excessif, d'usure ou s'il est coupé, il doit être remplacé par un ensemble de rechange spécifié par le fabricant avant d'utiliser le grill.
- Faire un test de fuites avant la première utilisation, annuellement et à chaque fois qu'une composante de gaz est changée.
- Suivre les instructions d'allumage à la lettre lorsque vous utilisez votre grill.
- Les soupapes des brûleurs doivent être fermées lorsque vous ouvrez la soupape d'alimentation en gaz.
- Le couvercle doit être fermé lors de la période de préchauffage du grill sur tous les modèles à l'exception du BISZ300NFT/PFT et du brûleur latéral BISB245.
- Votre grill encastré (BISZ300NFT/PFT) et brûleur latéral (BISB245) est fourni avec un couvercle plat servant pour le rangement et la protection contre les intempéries. Ne placez jamais ce couvercle sur le grill lorsque celui-ci est chaud ou en fonction. Laissez le grill refroidir complètement avant de placer le couvercle.
- Les adultes et particulièrement les enfants doivent être sensibilisés aux risques que représentent les surfaces exposées à des températures élevées. Surveillez les jeunes enfants lorsqu'ils sont près du grill.
- Ne pas laisser le grill sans surveillance lorsqu'il est allumé.
- Ne pas allumer le grill avec le couvercle fermé.
- Ne pas utiliser le brûleur arrière en même temps que le brûleur principal.
- Ne pas déplacer le grill pendant qu'il fonctionne ou qu'il est chaud.
- Gardez les fils électriques et les tuyaux d'alimentation en gaz éloignés des surfaces chauffantes.
- S'assurer que les plaques du brûleur sont bien en place selon le livre d'instructions. Les trous doivent être placés vers l'avant du grill (si c'est approprié).
- Nettoyer le tiroir d'égouttement et les plaques du brûleur régulièrement pour éviter les feux de graisse.
- Enlever la grille-réchaud avant d'allumer le brûleur arrière. La chaleur intense pourrait l'endommager.
- Inspecter les tubes de venturi des brûleurs infrarouges pour de toiles d'araignées ou toutes autres obstructions régulièrement.
- Ne pas permettre à l'eau froide (pluie, arrosoir, boyeau d'arrosage etc) de venir en contact avec le grill chaud. Une grande différence de température pourrait causer l'éclatement de la porcelaine.
- Ne pas permettre à l'eau froide (pluie, arrosoir, boyeau d'arrosage etc) de venir en contact avec les brûleurs en céramique. Une grande différence de température pourrait causer la céramique à fissurer.
- N'utilisez pas un pulvérisateur pour nettoyer l'appareil.

Information Générale

Ce gril à gaz est certifié selon les normes nationales canadiennes et américaines, CAN/cSa-1.6-2005 et ANSI Z21.58 -2005 pour les grils à gaz extérieurs et son installation doit être conforme aux codes locaux. En l'absence de codes locaux, l'installation doit être conforme au Code d'installation du gaz CAN/CGA-B149.1 au Canada ou au National Fuel Gas Code, NFPA54/ANSI Z223.1 aux États-Unis.

Si un moteur de rôtissoire est utilisé, il doit être mis à la terre conformément aux codes locaux. En l'absence de tels codes, conformément à la version courante du CODE ÉLECTRIQUE CANADIEN CSA C22.1 au Canada ou le NATIONAL ELECTRICAL CODE ANSI/NFPA 70 aux États-Unis.

Proposition 65 de la californie : La combustion de gaz crée des sous-produits, parmi lesquels certains se retrouvent sur la liste de substances connues par l'état de Californie comme causant le cancer ou autres dangers pour la reproduction. Lorsque vous cuisinez avec le gaz, assurez-vous de toujours avoir une ventilation adéquate afin de minimiser l'exposition à ces substances.

Spécifications Pour La Bonbonne De Propane



AVERTISSEMENT! Si ces instructions ne sont pas suivies à la lettre, un incendie pourrait s'ensuire, causant des blessures graves ou la mort.



AVERTISSEMENT! Ne rangez pas de cylindre de propane de recharge sur la tablette sous le gril.

Si le gril est alimenté en propane à partir d'un cylindre portatif, vous devez utiliser un régulateur recommandé par le fabricant. Le régulateur doit fournir une pression de 11 pouces de colonne d'eau (0,39 lb/po²) au gril et posséder un raccord de type QCC1. Les cylindres utilisés avec ce gril doivent être munis d'une soupape QCC1. Un cylindre QCC1 possède un raccord qui empêche l'écoulement du gaz jusqu'à ce qu'un joint étanche soit obtenu. Il est aussi équipé d'un dispositif de contrôle d'écoulement du gaz. Afin d'obtenir un débit maximal de gaz, les soupapes du gril doivent être fermées lorsque vous ouvrez la soupape du cylindre.

Un cylindre bosselé ou rouillé peut être dangereux et devrait être vérifié par votre fournisseur de propane. N'utilisez jamais un cylindre avec une soupape endommagée. Utilisez uniquement un cylindre de propane fabriqué et étiqueté selon la Norme nationale du Canada CAN/CSA-b339, "Bouteilles et tubes utilisés pour le transport des marchandises dangereuses"; et selon la norme de la Commission canadienne des transports, s'il y a lieu, ou selon la norme du "US Department of Transportation (DOT)". Les modèles avec chariot ont été conçus pour être utilisés avec un cylindre de propane de 20 livres (9,1 kg) uniquement (non fourni).

Le cylindre de propane doit être équipé d'un système de raccordement compatible avec le raccord des appareils de cuisson extérieurs. Le cylindre de propane doit être équipé d'une soupape d'arrêt se raccordant à une soupape de type QCC1. Une valve de sécurité doit être branchée directement sur le cylindre. Le système d'alimentation du cylindre doit être installé de manière à permettre l'évacuation des vapeurs et doit avoir un collet pour protéger la soupape du cylindre. Le cylindre doit être muni d'un dispositif de détection de trop-plein. Ne rangez pas de cylindre de propane de recharge sous cet appareil ou à proximité. Ne remplissez jamais le cylindre à plus de 80 pour cent de sa pleine capacité. Si les consignes ci-dessus ne sont pas suivies à la lettre, un feu pourrait s'ensuire, causant des blessures corporelles ou des pertes de vie.

Instructions De Branchement Du Gaz



AVERTISSEMENT! Ce gril est conçu pour des cabinets incombustibles seulement et doit être installé et entretenu par un installateur qualifié selon les codes locaux.

AVERTISSEMENT! La charpente du cabinet, le cabinet et le comptoir doivent être faits de matériaux incombustibles.

AVERTISSEMENT! La pression d'alimentation du gril doit se conformer à celle spécifiée sur la plaque d'homologation (11 pouces de colonne d'eau pour le propane et 7 pouces de colonnes d'eau pour le gaz naturel). Si la pression d'alimentation est supérieure, vous devez installer un régulateur.

BRANCHEMENT DU PROPANE AU GRIL ENCASTRÉ: La tuyauterie jusqu'au gril à gaz est la responsabilité de l'installateur et doit être positionnée comme illustré dans le manuel d'instructions du gril encastré. Un raccord flexible métallique est inclus afin de faciliter l'installation de l'appareil. Branchez ce raccord au raccord évasé de situé à l'extrémité du collecteur. Branchez l'autre extrémité du raccord à la conduite de gaz. Assurez-vous que le raccord ne passe pas à travers un mur, un plancher, un plafond ou une cloison et qu'il soit protégé contre tout dommage. Ne pas utiliser de boyau pour brancher l'appareil sauf pour brancher le régulateur du cylindre au système de tuyauterie. Le branchement doit être fait avec du tuyau rigide, du tuyau de cuivre ou un raccord métallique flexible approuvé qui se conforme aux normes Z21.4 /CSA 6.10.

L'installation doit se conformer au Code d'installation du gaz naturel et du propane CAN B149.1 au Canada ou au National Fuel Gas Code ANSI Z223.1 aux États-Unis. Vous devez avoir une pipe de conducteur hors du quat d'adé de gaz pour fournir ce gril le gaz de BTU/h indiqué sur la plaque de contrôle, basée sur la longueur de la course de tuyauterie. Si vous installez un brûleur latéral, une conduite séparée doit être embranchée au brûleur latéral en entrant par l'ouverture du brûleur latéral à l'emplacement indiqué. Si le cabinet doit servir de rangement pour le réservoir de propane, la partie du cabinet servant de rangement au réservoir doit être ventilée selon les codes locaux et ne doit pas communiquer avec la partie servant à encastrer le gril. Un réservoir de propane ne peut pas être rangé sous le gril.

ENCEINTE DU CYLINDRE POUR GRIL ENCASTRÉ : Les enceintes qui enferment complètement le cylindre doivent respecter les deux conditions suivantes :

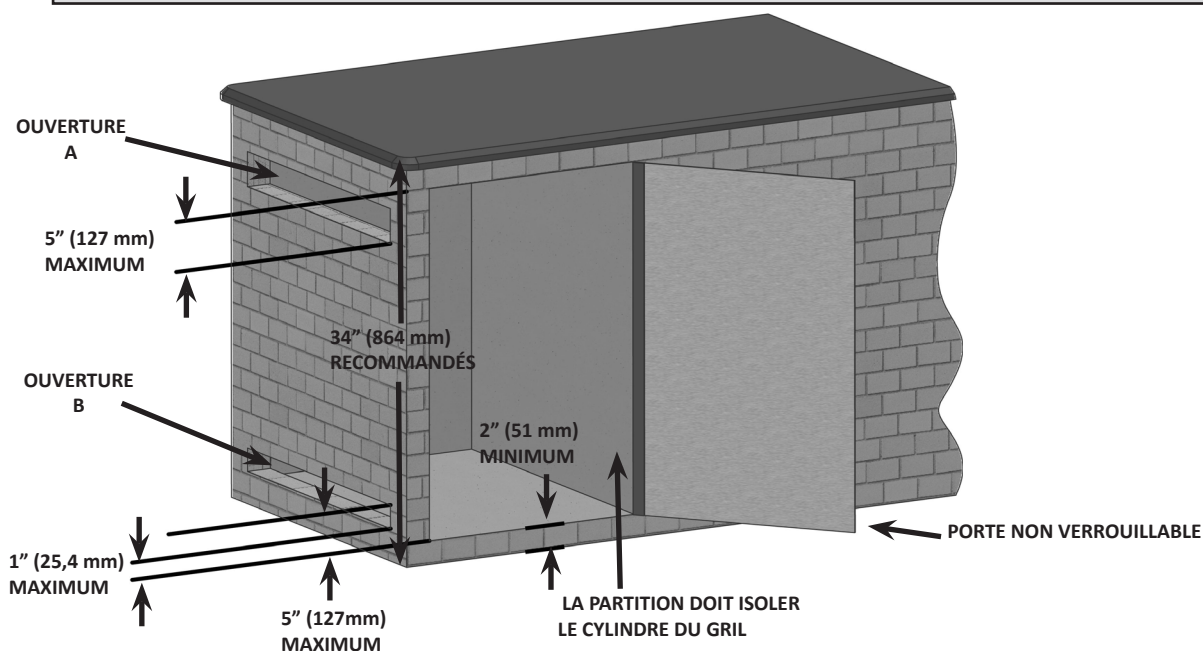
1. L'enceinte doit avoir au moins une ouverture de ventilation non obstruée sur le côté extérieur exposé de l'enceinte située à moins de 5 po (127 mm) du haut de l'enceinte. L'ouverture doit avoir un espace libre total de plus de 20 po² (130 cm²) pour un cylindre de 20 lb (9,1 kg) et 30 po² (195 cm²) pour un cylindre de 30 lb (13,6 kg).
2. L'enceinte doit avoir au moins une ouverture de ventilation sur le côté extérieur exposé de l'enceinte située à 1 po (25,4 mm) ou moins du plancher de l'enceinte. L'ouverture doit avoir un espace libre total de plus de 10 po² (65 cm²) pour un cylindre de 20 lb (9,1 kg) et 15 po² (100 cm²) pour un cylindre de 30 lb (13,6 kg). La bordure supérieure ne doit pas être à plus de 5 po (127 mm) au-dessus du plancher de l'enceinte.

Chaque ouverture doit être suffisamment large pour permettre d'y introduire une tige de 1/8 po (3,2 mm).



AVERTISSEMENT!

- Les soupapes de cylindre seront facilement accessibles et à portée de la main. Une porte peut être installée sur l'enceinte pour accéder aux soupapes, pourvu qu'elle ne soit pas verrouillable et que l'on puisse l'ouvrir sans outil.
- L'enceinte pour le cylindre de propane doit isoler le cylindre du compartiment du brûleur de façon à servir d'écran contre l'irradiation, de barrière de flammes et de protection contre les matières étrangères comme les jus de cuisson chauds. L'enceinte ne peut être située directement sous le gril.
- Il doit y avoir un dégagement minimum de 2 pouces (51 mm) entre le plancher de l'enceinte du cylindre et le sol.
- L'enceinte sera conçue de manière à ce que le cylindre de propane puisse être branché, débranché et que les raccords puissent être inspectés et testés à l'extérieur de l'enceinte. Tous les raccords qui peuvent subir des manipulations accidentelles durant l'installation du cylindre doivent demeurer accessibles pour être inspectés pour des fuites à l'intérieur de l'enceinte.



GRANDEUR DU CYLINDRE	OUVERTURE A	OUVERTURE B
20 lb (9,1 kg)	20 po ² (130 cm ²)	10 po ² (65 cm ²)
30 lb (13,6 kg)	30 po ² (195 cm ²)	15 po ² (100 cm ²)

BRANCHEMENT DU GRIL ENCASTRÉ AU GAZ NATUREL: La tuyauterie jusqu'au gril à gaz est la responsabilité de l'installateur et doit être positionnée comme illustré dans le manuel d'instructions du gril encastré. Un raccord flexible métallique est inclus afin de faciliter l'installation de l'appareil. Branchez ce raccord au raccord évasé de situé à l'extrémité du collecteur. Branchez l'autre extrémité du raccord à la conduite de gaz. Assurez-vous que le raccord ne passe pas à travers un mur, un plancher, un plafond ou une cloison et qu'il soit protégé contre tout dommage. Ne pas utiliser de boyau pour brancher l'appareil sauf pour brancher le régulateur du cylindre au système de tuyauterie. Le branchement doit être fait avec du tuyau rigide, du tuyau de cuivre ou un raccord métallique flexible approuvé qui se conforme aux normes Z21.4 /CSA 6.10.

L'installation doit se conformer au Code d'installation du gaz naturel et du propane CAN B149.1 au Canada ou au National Fuel Gas Code ANSI Z223.1 aux États-Unis. Vous devez avoir une pipe de conducteur hors du quat d'adé de gaz pour fournir ce gril le gaz de BTU/h indiqué sur la plaque de contrôle, basée sur la longueur de la course de tuyauterie. Si vous installez un brûleur latéral, une conduite séparée doit être embranchée au brûleur latéral en entrant par l'ouverture du brûleur latéral à l'emplacement indiqué. Si le cabinet doit servir de rangement pour le réservoir de propane, la partie du cabinet servant de rangement au réservoir doit être ventilée selon les codes locaux et ne doit pas communiquer avec la partie servant à encastrer le gril. Un réservoir de propane ne peut pas être rangé sous le gril.



AVERTISSEMENT! Les grils encastrés sont munis d'un plateau d'égouttement qui ne peut contenir qu'une petite quantité de graisse. Afin d'éviter les feux de graisse, le plateau doit être nettoyé après chaque utilisation.

AVERTISSEMENT! Vous devez prévoir un accès dans le cabinet pour permettre gaz connection.



DANGER! Lisez attentivement toutes les instructions avant de faire fonctionner le gril. Si ces instructions ne sont pas suivies à la lettre, un incendie pourrait s'ensuivre, causant des blessures graves ou la mort. L'installation complète doit être vérifiée pour des fuites avant de faire fonctionner l'appareil.

Test De Détection De Fuites



AVERTISSEMENT! Il doit être fait avant la première utilisation, annuellement et à chaque fois qu'une pièce du système de gaz est remplacée ou réparée



AVERTISSEMENT! N'utilisez pas une flamme nue pour vérifier pour des fuites de gaz. Assurez-vous qu'il n'y ait aucune étincelle ni flamme nue à proximité de l'endroit à vérifier. Les étincelles ou les flammes nues provoqueront un feu ou une explosion, causant des dommages matériels, des blessures graves ou des pertes de vie.



Test De Fuites: Il doit être fait avant la première utilisation, annuellement et à chaque fois qu'une pièce du système de gaz est remplacée ou réparée. Ne fumez pas et enlevez toutes sources d'allumage lorsque vous faites ce test. Consultez le schéma de test de fuites pour voir les endroits à tester.

1 - Fermez tous les boutons des brûleurs. Ouvrez la soupape de la bonbonne.

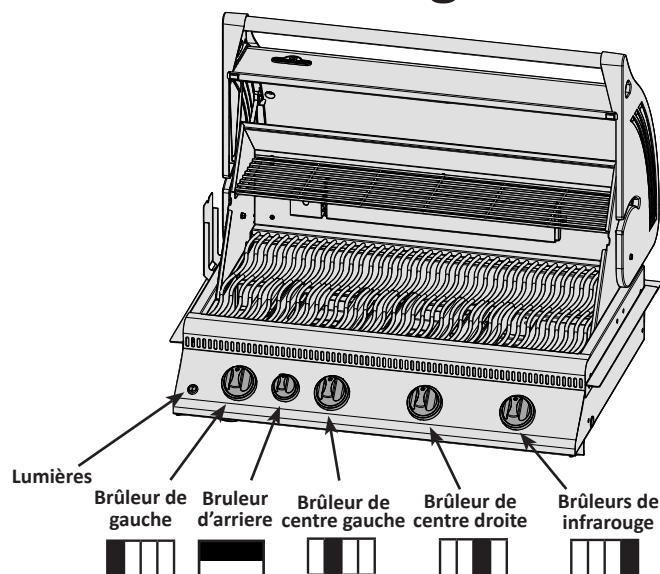
2 - Appliquez une solution de deux parts égales de savon liquide et d'eau sur tous les joints du régulateur, le tuyau et ses raccords.

3 - Des bulles indiqueront une fuite de gaz. Resserrez le joint ou remplacez la pièce avec une autre recommandée par le détaillant.

4 - Si la fuite ne peut être réparée, fermez l'alimentation de gaz à la bonbonne, enlevez-la et faites inspecter votre gril par votre fournisseur de gaz ou détaillant. N'utilisez pas l'appareil jusqu'à ce que la fuite soit réparée.

5 - Fermez la soupape de la bonbonne.

Instruction D'allumage



AVERTISSEMENT! Ouvrez le couvercle.

Fermez



AVERTISSEMENT! Assurez-vous que tous les boutons de contrôle sont à « off ». Ouvrez ensuite la soupape d'alimentation en gaz.

Allumage Du Brûleur Principal	Allumage Du Brûleur Arrière Rotisserie Brûleur (si équipé)	Allumage Du Brûleur Latéral (si équipé)
1. Ouvrez le couvercle.	1. Ouvrez le couvercle.	1. Ouvrez le couvercle du brûleur latéral.
2. Enfoncez et tournez lentement l'un des boutons de contrôle du brûleur principal à la position « hi ». Ceci allumera la veilleuse, qui allumera à son tour le brûleur choisi. Si la veilleuse s'allume, maintenez enfoncé le bouton de contrôle jusqu'à ce que le brûleur s'allume, puis relâchez-le.	2. Enlevez la grille de réchaud.	2. Tournez le bouton de contrôle du brûleur latéral sur "high".
3. Si la veilleuse ne s'allume pas, tournez immédiatement le bouton de contrôle en position « off » et répétez l'étape 2 plusieurs fois.	3. Appuyez et tournez lentement le bouton de contrôle du brûleur rotisserie à 'hi'. Ceci allumera la veilleuse qui allumera ensuite le brûleur. Si la veilleuse s'allume, continuez de garder le bouton de contrôle enfoncé jusqu'à ce que le brûleur s'allume puis relâchez-le.	3. Poussez et tenir la bouton d'allumeur, ou allumez avec une allumette.
4. Si la veilleuse ou le brûleur ne s'allument pas après 5 secondes, tournez le bouton de contrôle en position « off » et attendez 5 minutes pour que le gaz en excès puisse se dissiper. Ensuite, répétez les étapes 2 et 3 ou allumez avec une allumette.	4. Si la veilleuse ne s'allume pas, tournez immédiatement le bouton de contrôle à 'off' puis répétez l'étape 3 à plusieurs reprises.	4. Si le brûleur ne s'allume pas après 5 secondes, tournez le bouton de contrôle en position « off » et attendez 5 minutes pour que le gaz en excès puisse se dissiper. Ensuite, répétez les étapes 2 et 3 ou allumez avec une allumette.
5. Si vous allumez l'appareil avec une allumette, fixez-la dans la tige d'allumage fournie. Tenez l'allumette allumée et abaissez-la dans le gril jusqu'en dessous des plaques de brûleur et tournez la soupape du brûleur correspondant à "HIGH".	5. Si la veilleuse et brûleur ne s'allument pas en moins de 5 secondes, tournez le bouton de contrôle à 'off' et attendez 5 minutes pour permettre au surplus de gaz de se dissiper. Répétez les étapes 3 et 4 ou allumez avec une allumette.	



AVERTISSEMENT! La bonbonne est équipée d'un dispositif de contrôle d'écoulement du gaz. À moins que tous les boutons de contrôle des brûleurs soient fermés avant d'ouvrir la bonbonne, seules de petites flammes seront obtenues.

AVERTISSEMENT! Ne pas utiliser le brûleur arrière pendant que le brûleur principal est en marche.

Instructions D'opération

Éclairage initial: Lorsqu'il est allumé pour la première fois, le grill dégagera une légère odeur. Ceci est un phénomène normal et temporaire causé par l'évaporation des peintures et lubrifiants internes utilisés dans le processus de fabrication et ne se reproduira plus. Allumez simplement les brûleurs de cuve à "high" pendant une demi-heure.

Utilisation Du Brûleur Principal: Avant de cuire les aliments il est recommandé de préchauffer le grill à "high" avec le couvercle fermé pendant environ 10 minutes. Les aliments à cuisson courte (poisson, légumes) peuvent être grillés avec le couvercle ouvert. Une cuisson avec le couvercle fermé procurera des températures plus élevées et plus constantes qui réduiront la période de cuisson et cuiront la viande de façon plus égale. Les aliments qui requièrent un temps de cuisson de plus de 30 minutes, tels que les rôtis, peuvent être cuits en utilisant la méthode indirecte (avec le brûleur allumé du côté opposé à l'emplacement de la viande). Lorsque vous faites cuire des viandes très maigres, comme une poitrine de poulet ou du porc maigre, il est à conseiller de huiler les grilles de cuisson avant le préchauffage ce qui aura pour effet d'empêcher la viande de trop coller aux grilles. Le fait de cuire de la viande avec beaucoup de gras, peut causer des flambées soudaines. Il suffit alors d'enlever le gras avant la cuisson ou de réduire la température pour remédier à ce problème. En cas de flambées, éloignez les aliments de la flamme et réduisez la température. Gardez le couvercle ouvert. Pour des instructions plus détaillées, veuillez consulter le "Livre de recettes toutes saisons" de NAPOLEON.

Utilisation Du Brûleur Infrarouge De Cuve (si équipé): Suivez la procédure d'allumage du brûleur infrarouge de cuve et faites fonctionner à "high" pendant 5 minutes avec le couvercle fermé ou jusqu'à ce que les brûleurs en céramique deviennent incandescents. Placez les aliments sur les grilles de cuisson et faites cuire selon les temps spécifiés dans le "Tableau de cuisson à l'infrarouge". Au choix, continuez de cuire par-dessus le brûleur infrarouge à "high", "medium" ou "low", en tournant souvent les aliments, ou placez les aliments éloignés du brûleur infrarouge, fermez le couvercle et laissez la température de convection terminer la cuisson de vos aliments plus lentement.



AVERTISSEMENT ! Dû à la chaleur intense produite pour le brûleur infrarouge, les aliments qui sont laissés sur les brûleurs sans surveillance brûleront rapidement. Gardez le couvercle ouvert lorsque vous faites fonctionner le brûleur infrarouge à "high". La chaleur intense vous assure des températures adéquates de rayonnement même lorsque le couvercle est ouvert. Ceci vous permettra de surveiller les aliments afin de prévenir qu'ils brûlent.

Cuisson Directe: Placez les aliments à cuire sur la grille de cuisson, directement au-dessus de la chaleur. Cette méthode est habituellement utilisée pour faire saisir les aliments ou pour la nourriture nécessitant une courte cuisson - les hamburgers, les steaks, le poulet, les légumes, etc. La nourriture est d'abord saisie afin d'emprisonner les jus et la saveur, puis la température est réduite afin de terminer la cuisson selon vos préférences.

Cuisson Indirecte: Avec un ou plusieurs brûleurs en fonction, placez la nourriture à cuire sur la grille au-dessus d'un brûleur inactif. La chaleur circule autour de l'aliment, ce qui le fait cuire lentement et de façon égale. Ce type de cuisson ressemble à la cuisson dans un four et est généralement utilisé pour les plus grosses pièces de viande telles que les rôtis, les poulets ou les dindes, mais il peut aussi être utilisé pour cuire la nourriture ayant tendance à produire des poussées de flamme. Ce type de cuisson diminuera la température; le ralentissement de la cuisson donnera une viande plus tendre à chaque fois.

Utilisation Du Brûleur Arrière: (si équipé) Enlevez la grille-réchaud avant de l'allumer, La chaleur intense pourrait l'endommager. Les grilles de cuisson doivent également être enlevées si elles interfèrent avec l'utilisation de la rôtissoire. Le brûleur arrière est conçu pour être utilisé avec l'ensemble de rôtissoire. Consultez les instructions de montage de l'ensemble rôtissoire pour plus de détails. Pour placer le contre-poids au bon endroit enlevez le moteur de la rôtissoire de son support. Placez la broche qui supporte la viande sur les deux supports à l'intérieur du grill. Le morceau de viande se placera naturellement avec son côté le plus pesant vers le bas. Fixez le contre-poids en place en plaçant le bras vers le haut. Vous devez ensuite glisser le poids vers le haut ou vers le bas afin de contrebalancer le poids de la viande puis serrez-le en place. Remplacez le moteur et commencez la cuisson. Placez la lèchefrite sous la viande pour récupérer le jus de cuisson qui servira pour arroser la viande et créer ainsi une délicieuse sauce naturelle. On peut également ajouter un peu d'eau si nécessaire pour favoriser l'arrosage. Afin de capturer le jus à l'intérieur de la viande, réglez le brûleur arrière à "high" jusqu'au brunissement puis, réduisez ensuite la chaleur pour une cuisson complète. Gardez le couvercle fermé pour obtenir de meilleurs résultats. Vos rôtis et volailles seront parfaitement dorés à l'extérieur tout en restant tendres et juteux à l'intérieur. Par exemple, un poulet de 3 livres sur la rôtissoire sera cuit dans approximativement 1h30 à une température entre moyenne et haute. Consultez votre "Livre de recettes toutes saisons" de NAPOLEON pour de plus amples informations.



AVERTISSEMENT! La sauce BBQ et le sel sont corrosifs et causeront une détérioration rapide des composantes de votre grill à gaz à moins de les nettoyer régulièrement. Une fois la cuisson terminée, démontez les composantes de la rôtissoire, lavez-les bien à l'eau chaude savonneuse et rangez-les à l'intérieur.

Chaleur Infrarouge

La plupart des gens ne réalisent pas que la source de chaleur qui nous est la plus familière et que le soleil émet pour réchauffer la planète est l'énergie infrarouge. L'énergie infrarouge est une forme d'énergie électromagnétique dont la longueur d'onde est tout juste plus grande que la lumière rouge visible du spectre lumineux mais plus petite que les ondes radios. Cette forme d'énergie fut découverte en 1800 par Sir William Herschel qui fit passer la lumière du soleil à travers un prisme qui divisa la lumière en ses composants du spectre lumineux. Il démontra que la plus forte concentration de chaleur qui émanait des rayons provenait de la région du spectre lumineux juste au-dessus du rouge, où aucune lumière n'était visible. C'est cela l'énergie infrarouge. La plupart des matériaux absorbent facilement l'énergie infrarouge sous un large spectre de longueur d'onde, causant une augmentation de température des matériaux. C'est le même phénomène qui se produit lorsque nous ressentons de la chaleur durant une exposition au soleil. Les rayons infrarouges du soleil voyagent dans l'espace, pénètrent l'atmosphère et notre peau. Ceci provoque une augmentation de l'activité moléculaire de la peau, créant des frictions internes et générant de la chaleur, nous permettant de ressentir de la chaleur.

Les aliments cuits au-dessus des sources de chaleur infrarouges sont réchauffés selon le même principe. Le charbon de bois est la méthode traditionnelle de cuisson à l'infrarouge dont nous sommes les plus familiers. Les briquettes incandescentes émettent de l'énergie infrarouge à l'aliment qui se fait cuire et ce, avec très peu d'assèchement. Les jus de cuisson ou les graisses qui s'échappent des aliments dégouttent sur le charbon de bois et se vaporisent en fumée, donnant ainsi aux aliments leur goût savoureux. Les brûleurs infrarouges de Napoléon fonctionnent de la même façon. Dans chaque brûleur, 10 000 orifices possédant chacun leur flamme rendent la surface de la céramique incandescente. Cette incandescence émet le même type de chaleur infrarouge sans le souci du charbon de bois qui est souvent malpropre. Il procure aussi une chaleur plus uniforme qui est plus facile à contrôler que celle du charbon de bois. Pour saisir les aliments, les brûleurs peuvent être réglés à "high" et être ensuite réglés plus bas pour une cuisson plus lente. Nous savons combien cela est difficile avec le charbon de bois. Les brûleurs traditionnels au gaz réchauffent les aliments d'une façon différente. L'air entourant le brûleur est réchauffé par le processus de combustion et s'élève ensuite vers les aliments à cuire. Cette méthode génère des températures plus basses qui sont idéales pour les aliments plus fragiles tels que les fruits de mer et les légumes. En conclusion, les brûleurs infrarouges de Napoléon produisent un rayonnement intense qui vous donnera des steaks, des hamburgers et des viandes qui seront plus juteux et plus savoureux. Pour connaître les temps de cuisson et certains conseils, consultez le tableau de cuisson à l'infrarouge.

Tableau de cuisson à l'infrarouge

Aliment	Réglage Des Contrôles	Temps De Cuisson	Conseils Pratiques
Steak 1" (2.54cm) d'épaisseur	Réglage à "high" 2 min chaque côté Réglage à "high" 2 min chaque côté ensuite réglage à "medium" Réglage à "high" 2 min chaque côté ensuite réglage à "medium"	4 min - Saignant 6 min - À point 8 min - Bien cuit	Lorsque vous choisissez votre viande, demandez une viande qui est marbrée. Le gras de la viande agira comme un élément attendrissant durant la cuisson et gardera la viande plus juteuse.
Hambourgeois 1/2" (1.27cm) d'épaisseur	Réglage à "high" 2 min chaque côté Réglage à "high" 2 1/2 min chaque côté Réglage à "high" 3 min chaque côté	4 min - Saignant 5 min - À point 6 min - Bien cuit	Pour terminer la cuisson de vos hambourgeois tous en même temps, nous vous conseillons de varier l'épaisseur de vos boulettes. Pour ajouter une saveur exotique à votre viande, ajoutez des copeaux de bois à saveur de hickory dans une pipe à boucane de Napoléon.
Morceaux de poulet	Réglage à "high" 2 min chaque côté ensuite réglage de "medium-low" à "low"	20-25 min	L'articulation qui retient le pilon à la cuisse doit être coupée au 3/4 à partir du côté sans peau afin de permettre à la viande d'être plus à plat sur la grille de cuisson. Ceci permettra à la viande de cuire de façon plus uniforme et plus rapidement. Pour ajouter une touche personnelle à votre poulet, ajoutez des copeaux de bois à saveur de mesquite dans une pipe à boucane de Napoléon.
Côtelettes de porc	Medium"	6 min chaque côté	Coupez l'excès de gras avant de faire cuire. Choisissez des côtelettes de porc plus épaisses pour obtenir une viande plus tendre.
Côtes	Réglage à "high" pendant 5 minutes ensuite réglage à "low" pour terminer la cuisson	20 min chaque côté tournez souvent	Choisissez des côtes bien charnues et maigres. Grillez jusqu'à ce que la viande se détache facilement des os.
Côtelettes d'agneau	Réglage à "high" pendant 5 minutes ensuite réglage à "medium" pour terminer la cuisson	15 min chaque côté	Coupez l'excès de gras avant de faire cuire. Choisissez des côtelettes très épaisses pour obtenir une viande plus tendre.
Saucisses	"Medium" - "low"	4-6 min	Choisissez des saucisses plus grosses. Faites une entaille dans la peau, sur la longueur de la saucisse avant de faire griller.

Nettoyage



AVERTISSEMENT! Portez toujours des gants protecteurs et des lunettes de sécurité lorsque vous l'entretien votre gril.

AVERTISSEMENT! Assurez-vous que les brûleurs sont éteints avant de nettoyer. Éviter tout contact avec les surfaces chaudes. Nettoyez votre gril dans un endroit où les produits de nettoyage n'endommageront pas votre patio, terrain ou terrasse. N'utilisez pas de produit de nettoyage à fourneau pour nettoyer votre gril. La sauce BBQ et le sel sont très corrosifs et causeront une détérioration très rapide de votre gril à moins que vous ne fassiez un nettoyage régulier.

Note : L'acier inoxydable a tendance à s'oxyder ou à tacher en présence de chlorures et de sulfures que l'on retrouve particulièrement dans les zones côtières ainsi que dans les environnements chauds et humides tels que les piscines et les spas. Ces taches peuvent être prises pour de la rouille mais il peuvent être facilement enlevées et même évitées. Afin de prévenir les taches, nettoyez toutes les surfaces en acier inoxydable à toutes les trois à quatre semaines ou au besoin avec de l'eau douce et un nettoyant à acier inoxydable.

Les Grilles De Cuisson Et La Grille-Réchaud: Les grilles de cuisson et la grille-réchaud sont plus faciles à nettoyer durant la période de préchauffage en utilisant une brosse en laiton. Une laine d'acier peut être utilisée pour les taches les plus rebelles. Les grilles en acier inoxydable (si équipé) vont changer de couleur en permanence dû à la chaleur excessive de la surface de cuisson.

Nettoyage Du Panneau De Contrôle : Le texte sur le panneau de contrôle est imprimé directement sur l'acier inoxydable. Avec un entretien adéquat, le texte demeurera toujours foncé et lisible. N'utilisez pas de détergents abrasifs (Ajax, Vim, Old Dutch etc.) pour nettoyer les surfaces en acier inoxydable, spécialement la partie imprimée du panneau de contrôle. Le texte disparaîtra graduellement si vous utilisez ces produits. Utilisez seulement le nettoyant d'acier inoxydable Napoléon, disponible chez votre détaillant Napoléon.

Nettoyage De L'intérieur Du Gril: Enlevez les grilles de cuisson. Utilisez une brosse en laiton pour enlever les débris non-incrustés sur les côtés de la cuve et à l'intérieur du couvercle. Grattez les plaques de brûleur avec un couteau à mastic ou un grattoir puis utilisez une brosse en laiton pour enlever la suie. Enlevez les plaques de brûleur et nettoyez les débris sur le brûleur à l'aide de la brosse. Nettoyez tous les débris qui se trouvent à l'intérieur du gril en les faisant tomber dans le tiroir d'égouttement. Le tiroir d'égouttement devrait être gratté à l'aide d'un couteau à mastic ou d'un grattoir en jetant les débris dans le récipient à graisse jetable. Le récipient jetable devrait être remplacé entre deux et quatre semaines selon la fréquence d'utilisation du gril. Pour vous procurer des récipients de rechange informez-vous à votre représentant. Assurez-vous de replacer les plaques de brûleur dans la bonne position. (Consultez les instructions de montage si nécessaire pour un positionnement correct).



AVERTISSEMENT! Les grils encastrés sont munis d'un plateau d'égouttement qui ne peut contenir qu'une petite quantité de graisse. Afin d'éviter les feux de graisse, le plateau doit être nettoyé après chaque utilisation.

Tiroir d'égouttement: L'accumulation de graisse peut créer un risque de feu. Nettoyez le tiroir d'égouttement après chaque utilisation afin d'éviter une accumulation de graisse. La graisse et les jus de cuisson tombent dans le tiroir d'égouttement qui se trouve sous la cuve du gril. Pour nettoyer le tiroir d'égouttement, glissez-le hors du gril. Ne tapissez jamais votre tiroir d'égouttement de papier d'aluminium, de sable ou de tout autre matériau, car ceci aurait pour effet de nuire au bon écoulement de la graisse. Le tiroir d'égouttement devrait être gratté à l'aide d'un couteau à mastic ou d'un grattoir.

Nettoyage De L'extérieur Du Gril: N'utilisez pas de produits abrasifs pour nettoyer les pièces peintes, de fini porcelaine ou en acier inoxydable. Les éléments en porcelaine émaillée doivent être manipulés avec soin. Le fini émaillée étant cuit il devient comme du verre; il s'ébrêchera au moindre choc. Vous pouvez vous procurer de la peinture émaillée pour les retouches chez votre détaillant NAPOLEON. Utilisez une solution d'eau savonneuse chaude pour nettoyer l'extérieur du gril pendant qu'il est encore tiède au toucher. Pour nettoyer les surfaces en acier inoxydable utilisez un produit de nettoyage à acier inoxydable ou un produit de nettoyage tout usage sans abrasif. Frottez toujours dans le sens du grain. N'utilisez pas de laine d'acier car elle égratignerait le fini. Les pièces en acier inoxydable vont décolorer sous l'effet de la chaleur pour habituellement prendre une couleur dorée ou brune. Cette décoloration est normale et n'affectera pas la performance du gril.



Instructions D'entretien

Nous vous conseillons de faire inspecter ce gril à gaz annuellement par un technicien de service qualifié. L'emplacement du gril à gaz doit être gardé libre de tous matériaux combustibles, essence ou autres liquides et vapeurs inflammables en tout temps. Les apports d'air comburant et d'air de ventilation ne doivent pas être obstrués. Les ouvertures d'aération du compartiment de la bonbonne (situées sur les côtés du chariot, et à l'avant et à l'arrière de la tablette inférieure) doivent être libres de débris en tout temps.

AVERTISSEMENT! Portez toujours des gants protecteurs et des lunettes de sécurité lorsque vous nettoyez votre gril.

AVERTISSEMENT! Fermez le gaz à la source et débranchez l'appareil avant l'entretien. L'entretien devrait être effectué seulement lorsque le gril est froid pour éviter toutes possibilités de brûlure. Un test de détection de fuites devrait être effectué annuellement ou à chaque fois qu'une composante de gaz est remplacée.

Ajustement De L'air De Combustion (ceci doit être effectué par un installateur qualifié): Le volet d'air est réglé à l'usine et ne devrait pas avoir besoin normalement d'être ajusté. Cependant dans des conditions exceptionnelles un ajustement peut être requis. Lorsque le volet d'air est bien ajusté, les flammes seront bleues foncées avec des pointes bleues pâles ou quelques fois jaunes.

- Si le brûleur ne reçoit pas assez d'air, les flammes seront jaunes pâles et produiront possiblement de la suie.
- Si le brûleur reçoit trop d'air, les flammes scintilleront de façon erratique et causeront possiblement des problèmes d'allumage.

Pour ajuster le volet d'air:

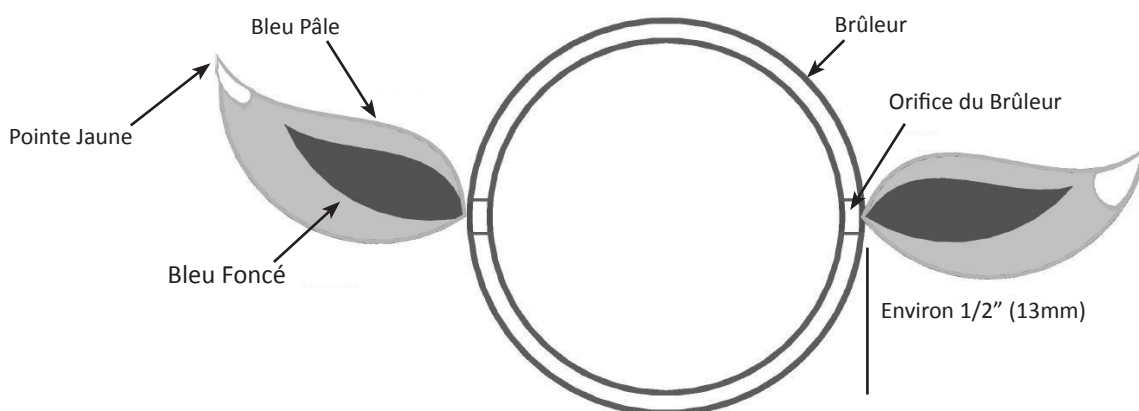
1, Enlevez les grilles de cuisson, les plaques de brûleur et laissez le couvercle ouvert. Il sera peut-être nécessaire d'ouvrir la porte ou retirer le tiroir du haut pour accéder (si équipé) à la vis du volet d'air.

2, Desserrez la vis de verrouillage du volet d'air et ouvrez ou fermez le volet d'air selon le cas. Les ajustements normaux sont:

Brûleur tube principal	Propane	5/32" (5mm)
	Gaz naturel	5/32" (3mm)

***Les brûleurs infrarouges n'ont pas de réglage de volet d'air.**

3, Allumez les brûleurs et positionnez-les à "high". Inspectez visuellement les flammes. Lorsque les volets sont ajustés, éteignez les brûleurs, serrez la vis de verrouillage et remplacez les pièces qui avaient été enlevées. Assurez-vous que les petits grillages contre les insectes sont installés.



Brûleur De Cuve : Le brûleur est fabriqué en acier inoxydable 304 de calibre épais, mais puisqu'il est soumis à des chaleurs extrêmes et à un environnement corrosif, la corrosion superficielle finit par survenir. Utilisez une brosse en laiton pour enlever la corrosion superficielle. Nettoyez tous les orifices obstrués à l'aide d'un trombone déplié. N'agrandissez pas les orifices du brûleur.



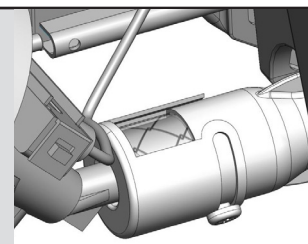
ATTENTION! AUX ARAIGNÉES

Les araignées et les insectes sont attirés par l'odeur du propane et du gaz naturel. Le brûleur est équipé d'un protecteur contre les insectes sur les venturis, ce qui réduira la possibilité que des insectes fassent leur nid à l'intérieur du brûleur, mais il n'élimine pas complètement le problème. Le nid ou la toile aura pour effet que le brûleur produira une flamme lâche de couleur jaune ou orange, ou causera un feu (retour de flamme) au niveau du venturi sous le panneau de contrôle. Pour nettoyer l'intérieur du brûleur vous devez le retirer du gril. Enlevez la vis située au centre de chaque brûleur. Soulevez l'arrière du brûleur pour enlever. Utilisez une brosse flexible de tube de venturi pour nettoyer l'intérieur du brûleur. Faites sortir tous les débris qui se trouvent à l'intérieur du brûleur en le brossant. En raison des débris de cuisson et de la corrosion, les orifices de brûleur peuvent se boucher avec le temps. Nettoyez les orifices bouchés à l'aide de ce foret inséré dans une petite perceuse sans fil. Les orifices du brûleur peuvent être nettoyés si le brûleur est en place. Toutefois, le nettoyage sera plus facile si le brûleur est retiré du gril. Ne pliez pas le foret en nettoyant les orifices, car le foret casserait. Ce foret doit être utilisé pour les orifices de brûleur seulement. Ne l'utilisez pas pour les orifices en laiton (jets) qui servent à régulariser le débit vers le brûleur.

Assurez-vous que le protecteur contre les insectes est propre, serré et exempt de fibres ou autres débris. Vérifiez également que les orifices de la soupape sont propres. N'agrandissez surtout pas les orifices. Réinstallez le brûleur.



AVERTISSEMENT! Lors de la réinstallation du brûleur après le nettoyage, il est très important que la soupape / l'orifice entre dans le brûleur avant que vous allumiez votre gril à gaz. Si la soupape n'est pas à l'intérieur du brûleur, un feu ou une explosion pourrait survenir.



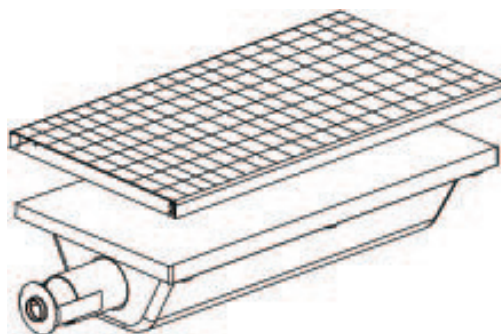
AVERTISSEMENT! Boyau (si applicable): Vérifiez l'usure, coupures, craquelures ou s'il est fondu. Si vous découvrez une de ces déficiences, n'utilisez pas votre gril. Faites remplacer la pièce par votre détaillant NAPOLEON ou par un installateur qualifié.

Moulages En Aluminium: Nettoyez les moulages périodiquement à l'aide d'une solution d'eau savonneuse chaude. L'aluminium ne rouillera pas mais dû aux chaleurs élevées et aux effets climatiques, une oxydation se produira sur les surfaces d'aluminium. Ceci apparaîtra comme des taches blanches sur les moulages. Pour réparer le fini des moulages, sablez-les à l'aide d'un papier émeri fin. Essuyez la surface et peignez avec de la peinture à gril haute température. Protégez les alentours des vapeurs de peinture. Suivez les directives de séchage inscrites sur la bonbonne de peinture.

Nettoyage Des Brûleurs Infrarouges : Ne nettoyez pas la tuile de céramique avec une brosse métallique. Si des débris s'accumulent sur le brûleur, allumez simplement le brûleur et faites fonctionner à "HIGH" pendant cinq minutes avec le couvercle ouvert, permettant aux débris de se consumer. Vu la chaleur très intense des brûleurs infrarouges, la plupart des jus de cuisson et des particules de nourriture qui tombent sur la surface de ces brûleurs seront incinérés immédiatement. Cependant, certains résidus peuvent demeurer. Pour enlever ces résidus après la cuisson, réglez le gril à "high" avec le couvercle fermé pendant 5-10 minutes. Si le brûleur arrière infrarouge n'est pas utilisé souvent, des éclaboussures de gras provenant de la cuisson avec les brûleurs de cuve finiront par boucher les orifices du brûleur arrière. Nous vous conseillons d'allumer le brûleur arrière une fois par mois pendant 5-10 minutes afin de brûler les accumulations de graisse.

Protection Du Brûleur Infrarouge: Le brûleur infrarouge de votre gril est conçu pour vous offrir une longue durée de vie. Cependant, certaines précautions doivent être prises afin d'éviter que les surfaces en céramiques ne fissurent, causant ainsi un mauvais fonctionnement du brûleur. Vous trouverez ci-dessous les causes de fissuration les plus courantes ainsi que les moyens à prendre pour les éviter. Tout dommage résultant d'une négligence de votre part à observer les consignes ci-dessous ne sera pas couvert par la garantie.

1. Impact avec des objets durs - Ne laissez jamais d'objets durs cogner la céramique. Faites très attention lorsque vous retirez ou installez la grille de cuisson et autres accessoires dans votre gril. Si ces objets devaient tomber sur la céramique, elle risque très probablement de fissurer.
2. L'eau et les autres liquides - Des liquides froids qui entrent en contact avec des surfaces chaudes en quantité considérable risquent de fissurer la surface de la céramique. Ne jetez jamais d'eau dans le gril pour éteindre des poussées de flamme. De plus, si la céramique ou l'intérieur d'un brûleur deviennent mouillés alors qu'ils ne sont pas en fonction, le brûleur risque de produire de la vapeur d'eau au prochain usage, ce qui peut produire suffisamment de pression pour faire fissurer la céramique. Le trempage répété de la céramique la fera dilater et prendre de l'expansion. Cette expansion causera des pressions anormales sur la céramique et risque de la faire fissurer et s'effriter.
 - i) Ne jamais jeter d'eau dans le gril pour contrôler les poussées de flamme.
 - ii) Ne faites pas fonctionner le brûleur infrarouge sous la pluie.
 - iii) Si vous découvrez de l'eau dans votre gril (provenant de la pluie, d'arrosiers, etc.), vérifiez si elle est entrée en contact avec la céramique. Si la céramique semble mouillée, retirez le brûleur du gril. Tournez-le à l'envers pour égoutter le surplus d'eau. Apportez le brûleur à l'intérieur et laissez-le sécher complètement.
3. Mauvaise évacuation de l'air chaud sortant du gril - Pour que le brûleur fonctionne adéquatement, l'air chaud doit pouvoir s'échapper du gril. Si l'air chaud.
4. Ne nettoyez pas la tuile de céramique avec une brosse métallique. Si des débris s'accumulent sur le brûleur, allumez simplement le brûleur et faites fonctionner à "HIGH" pendant cinq minutes avec le couvercle ouvert, permettant aux débris de se consumer.



Écrans de rechange N565-0002

Guide De Dépannage

Problème	Causes possibles	Solutions
Faible chaleur/petite flamme lorsque le bouton de contrôle est à "high".	<p>Pour le propane - procédure d'allumage incorrect.</p> <p>Pour le gaz naturel - tuyau d'alimentation trop petit.</p> <p>Pour les deux sortes de gaz - mauvais préchauffage.</p>	<p>Assurez-vous que la procédure d'allumage est suivie à la lettre. Tous les boutons de contrôle du gril doivent être fermés lorsque vous ouvrez la soupape de la bonbonne. Tournez la soupape de la bonbonne lentement pour assurer l'équilibre de la pression. Voir les instructions d'allumage.</p> <p>La grosseur du tuyau doit être conforme au code d'installation.</p> <p>Préchauffez le gril en allumant les brûleurs de cuve à "high" pendant 5 à 10 minutes.</p>
Poussées de flamme excessives/chaleur inégale.	<p>Plaques de brûleur mal installées.</p> <p>Mauvais préchauffage</p> <p>Accumulation excessive de graisse et de cendres sur les plaques de brûleur et dans le tiroir d'égouttement.</p>	<p>Assurez-vous que les plaques sont installées avec les trous vers l'avant et les fentes en dessous. Voir les instructions d'assemblage.</p> <p>Préchauffez le gril en allumant les brûleurs de cuve à "high" pendant 5 à 10 minutes.</p> <p>Nettoyez les plaques de brûleur et le tiroir d'égouttement régulièrement. Ne tapissez pas le tiroir d'égouttement avec du papier d'aluminium. Consultez les instructions de nettoyage.</p>
Les flammes produites par les brûleurs sont jaunes et vous détectez une odeur de gaz.	Possibilité de toiles d'araignée ou autres débris, ou d'un mauvais ajustement des volets d'air.	Retirez le brûleur et nettoyez-le complètement. Consultez les instructions d'entretien. Ouvrez légèrement les volets d'air tout en vous conformant aux instructions de réglage des volets d'air. (ceci doit être effectué par un installateur de gaz qualifié)
Les flammes se détachent du brûleur, accompagnées d'une odeur de gaz et possiblement une difficulté d'allumage.	Mauvais ajustement des volets d'air.	Fermez légèrement les volets d'air tout en vous conformant aux instructions de réglage des volets d'air. (ceci doit être effectué par un installateur de gaz qualifié)
Arrière et de côté brûleur ne s'allume pas avec l'allumeur mais s'allume avec une allumette.	<p>La pile est déchargée ou installée incorrectement.</p> <p>Mauvais contact des fils de l'électrode et des terminaux.</p> <p>Les flammes se séparent du brûleur.</p>	<p>Remplacez la pile par une pile neuve.</p> <p>Vérifiez que les fils de l'électrode sont solidement enfoncés sur le terminal du module d'allumage. Vérifiez que les fils de raccordement du module au bouton d'allumeur sont solidement enfoncés sur chacun de leur terminal respectif. (si équipé) l'allumeur.</p> <p>Fermez le volet d'air légèrement - voir le problème précédent.</p>
Le brûleur principal ne s'allume pas avec l'allumeur, mais la lumière avec une allumette.	Jet-le-feu de sortie est sale ou obstrué.	Nettoyez-le-feu à jet de sortie avec une brosse à poils doux.
Le régulateur murmure lorsque l'appareil fonctionne.	Problème normal par temps chaud.	Ceci n'est pas un défaut. Le murmure est causé par une vibration à l'intérieur du régulateur et n'affecte en rien la performance et la sécurité du gril à gaz. Les régulateurs émettant un murmure ne seront pas remplacés.

Problème	Causes possibles	Solutions
Les brûleurs ne s'allument pas les uns aux autres.	Sales ou corrodés supports légers croix.	Nettoyez ou remplacez au besoin.
La peinture semble peler à l'intérieur du couvercle.	Accumulation de graisse sur les surfaces internes.	Ceci n'est pas un défaut. Le fini du couvercle est en acier inoxydable et porcelainisé et ne pèlera pas. Le pelage est causé par la graisse qui durci et sèche comme des éclats de peinture qui pèlent. Un nettoyage régulier préviendra ce problème. Consultez les instructions de nettoyage.
Les contrôles sont réglés à "high" mais la chaleur générée par les brûleurs est trop basse.	Manque de gaz. Le tuyau d'alimentation en gaz est pincé. L'injecteur du brûleur est sale ou obstrué. Présence de toiles d'araignée ou autres débris dans le tube du venturi. Le régulateur de propane est en situation de "faible débit".	Vérifiez le niveau de propane dans la bonbonne. Remplacez le tuyau d'alimentation convenablement. Nettoyez l'injecteur du brûleur. Nettoyez le tube du venturi. Assurez-vous que la procédure d'allumage est suivie à la lettre. Tous les boutons de contrôle du grill doivent être fermés lorsque vous ouvrez la soupape de la bonbonne. Tournez la soupape de la bonbonne lentement pour assurer l'équilibre de la pression. Voir les instructions d'allumage.
Le brûleur infrarouge (si équipé) produit des retours de flamme (pendant qu'il fonctionne, le brûleur fait subitement un bruit qui s'apparente à un "whoosh", suivi d'un bruit continu semblable à une lampe à souder et qui diminue en intensité.	Les tuiles de céramique sont surchargées de graisse de cuisson et d'accumulations, les orifices sont obstrués. Le brûleur a surchauffé dû à une ventilation inadéquate (trop grande surface de cuisson recouverte par des plaques de cuisson ou des plateaux). Des tuiles de céramique sont fissurées. Le joint d'étanchéité autour de la céramique n'est plus étanche, ou une soudure dans le boîtier du brûleur est cassée.	Fermez le brûleur et laissez-le refroidir pendant au moins deux minutes. Réallumez le brûleur et réglez-le à "high" pendant au moins cinq minutes ou jusqu'à ce que les tuiles deviennent uniformément incandescentes. Ne recouvrez pas plus que 75 % de la surface de cuisson avec des objets ou des accessoires. Fermez le brûleur et laissez-le refroidir pendant au moins deux minutes puis réallumez-le. Laissez le brûleur refroidir puis vérifiez de près pour des fissures. Si vous détectez des fissures, commandez un brûleur de rechange auprès de votre détaillant autorisé Napoléon. Contactez votre détaillant autorisé Napoléon pour obtenir des instructions sur l'achat d'un brûleur de rechange.

GARDEZ VOTRE REÇU COMME PREUVE D'ACHAT POUR VALIDER VOTRE Commande De Pièces De Rechange

Information Sur La Garantie

MODÈLE: _____

DATE D'ACHAT: _____

NUMÉRO DE SÉRIE: _____

(Inscrivez l'information ici pour y avoir accès facilement.)

Avant de contacter le département du service aux consommateurs, consultez le site Web de NAC pour obtenir plus d'instructions sur le nettoyage, l'entretien, le dépannage et le remplacement des pièces à www.napoleongrills.com. Contactez le fabricant directement pour obtenir des pièces de rechange et faire des réclamations au titre de la garantie. Le département du service aux consommateurs est à votre disposition entre 9 h et 17 h (heure normale de l'Est) au 1-866-820-8686 ou par télécopieur au 705-727-4282. Pour qu'une réclamation soit traitée, l'information suivante est nécessaire :

1. Modèle et numéro de série de l'appareil.
2. Numéro de la pièce et description.
3. Description concise du problème (« brisé » n'est pas suffisant).
4. Preuve d'achat (copie de la facture).

Dans certains cas, le département du service aux consommateurs peut demander de retourner la pièce pour des fins d'inspection avant de fournir une pièce de rechange. Les pièces doivent être expédiées port payé à l'attention du département du service aux consommateurs avec l'information suivante :

1. Modèle et numéro de série de l'appareil.
2. Description concise du problème (« brisé » n'est pas suffisant).
3. Preuve d'achat (copie de la facture).
4. Numéro d'autorisation de retour - fourni par le représentant du département du service aux consommateurs.

Avant de contacter le service aux consommateurs, veuillez prendre note que les items suivants ne sont pas couverts par la garantie :

- coûts de transport, de courtage et frais d'exportation;
- coûts de main-d'oeuvre pour l'enlèvement et l'installation de la pièce;
- coûts des appels de service pour diagnostiquer le problème;
- décoloration des pièces en acier inoxydable;
- bris des pièces causé par un manque d'entretien et de nettoyage, ou par l'utilisation de nettoyeurs inappropriés (nettoyant à fourneau).



ATTENTION! Lors du déballage et de l'assemblage, nous vous conseillons de porter des gants de travail et des lunettes de sécurité pour votre protection. Malgré tous nos efforts pour assurer que l'assemblage soit aussi sécuritaire et sans problème que possible, il se peut que les bords et les coins des pièces usinées en acier soient coupants et qu'ils causent des coupures si les pièces ne sont pas manipulées correctement.

Pour Commencer

1. Retirez tous les panneaux, le matériel et le gril du carton d'emballage. Soulevez le couvercle et enlevez les composants qui se trouvent à l'intérieur. Servez-vous de la liste de pièces pour vous assurer que toutes les pièces nécessaires sont incluses.
2. Ne détruisez pas l'emballage jusqu'à ce que le gril ait été complètement assemblé et qu'il fonctionne à votre satisfaction.
3. Assemblez le gril là où il sera utilisé et posez un carton ou une serviette afin d'éviter de perdre ou d'endommager les pièces lors de l'assemblage.
4. La plupart des pièces en acier inoxydable possèdent un revêtement de plastique protecteur qui doit être enlevé avant d'utiliser le gril.
5. Suivez toutes les instructions dans l'ordre donné dans ce manuel.
6. Deux personnes sont requises pour soulever la cuve de gril et la placer sur le chariot assemblé.

Si vous avez des questions à propos de l'assemblage ou du fonctionnement du gril, ou si des pièces sont manquantes ou endommagées, veuillez appeler notre département du Service aux Consommateurs au 1-866-820-8686 entre 9 h et 17 h (heure normale de l'Est).

TOOLS REQUIRED FOR ASSEMBLY (tools not included)

OUTILS REQUIS POUR L'ASSEMBLAGE (outils non inclus)

3/8 (10mm)
Wrench,
ratchet or driver
Tournevis ou clé,
cliquet de 3/8
(10mm)



Flat and Philips
screwdrivers
Tournevis plat et
phillips



Pliers
Pinces

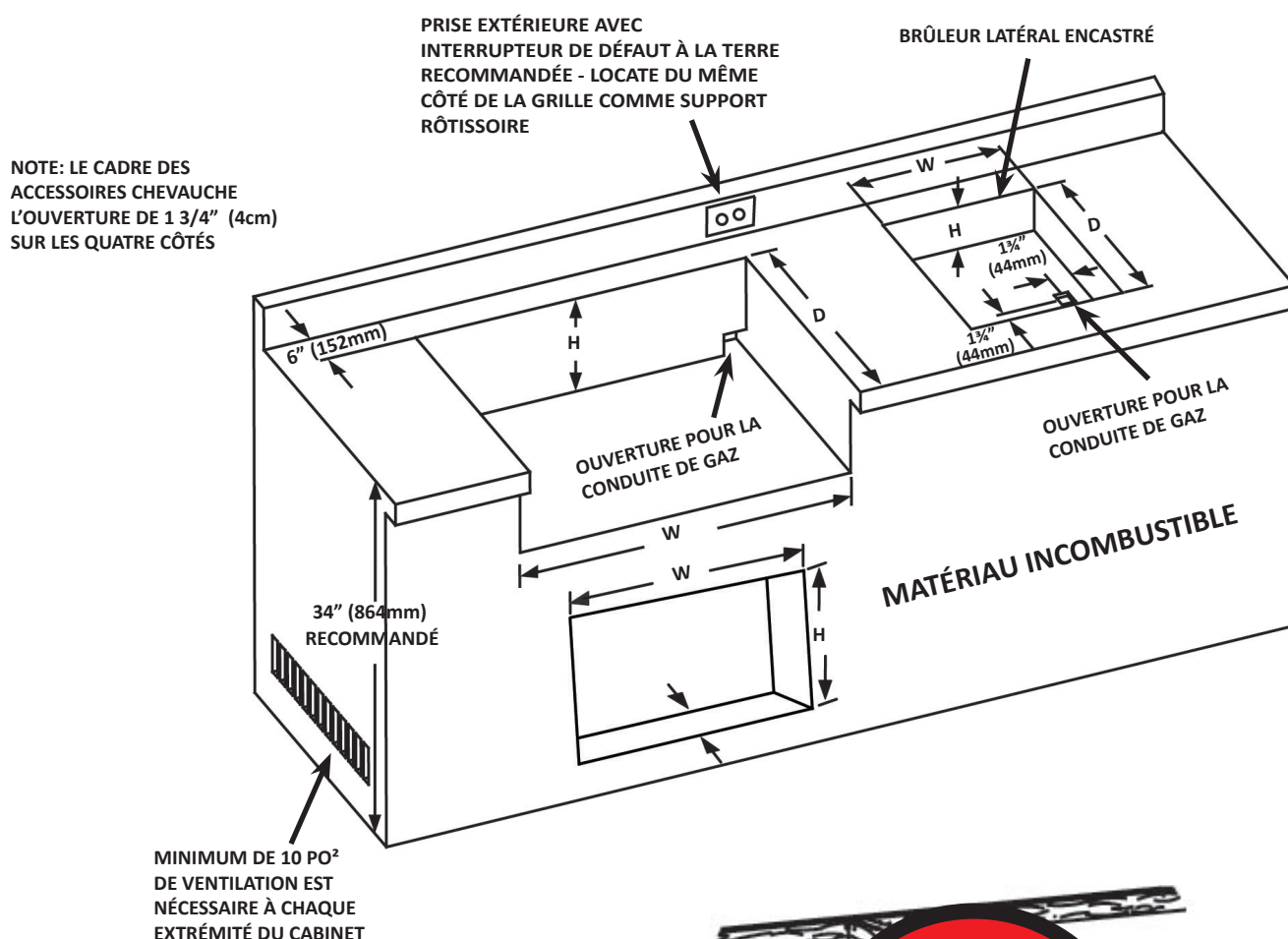


Hammer
Marteau



DIMENSIONS D'OUVERTURE POUR LES GRILS ENCASTRÉS

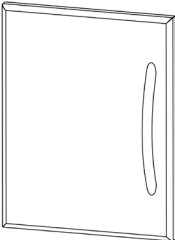
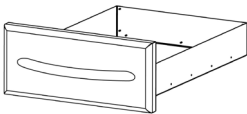
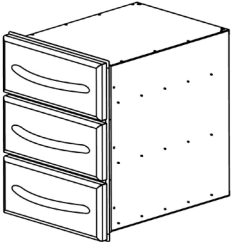
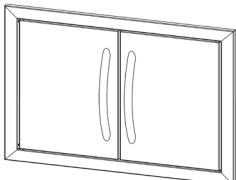
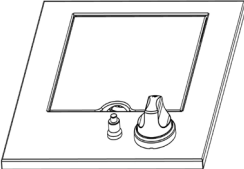
MODEL	OPENING DIMENSIONS			NOTES
	W	D	H	
BIM605	36 1/2" 927mm	21 3/8" 543mm	7 1/2" 191mm	
BRÛLEUR LATÉRAL	12 3/4" 324mm	16 1/2" 419mm	4 1/2" 114mm	OPENING OF AT LEAST 5 SQ (32cm ²) IN MUST BE PROVIDED FOR COMBUSTION AIR FOR SIDE BURNER.



AVERTISSEMENT! LA CHARPENTE DU CABINET, LE CABINET ET LE COMPTOIR DOIVENT ÊTRE FAITS DE MATÉRIAUX INCOMBUSTIBLES.

DIMENSIONS D'OUVERTURE POUR LES ACCESSOIRES

DIMENSIONS D'OUVERTURE

N° DE PIÈCE	DESCRIPTION	ILLUSTRATION	L	H	P
N370-0361	PORTE EN ACIER INOXYDABLE STYLE PRESTIGE V		17" (432mm)	23 ¼" (591mm)	
N370-0359	TIROIR SIMPLE EN ACIER INOXYDABLE STYLE PRESTIGE V		17 ¼" (438mm)	6 ¾" (171mm)	23" (584mm)
N370-0360	TIROIR TRIPLE EN ACIER INOXYDABLE STYLE PRESTIGE V		17 ¼" (438mm)	22 ¾" (578mm)	23" (584mm)
N370-0502 N370-0503	PORTE DOUBLE PETITE PORTE DOUBLE GRANDE * FRAMES PROTRUDE FROM FACE OF CABINET BY ¾"		28 ¼" (718mm) 37 ¼" (959mm)	20 ¼" (514mm) 20 ¼" (514mm)	
N370-0504 N370-0505	BRULEUR LATÉRAL PROPANE BRULEUR LATÉRAL NATUREL GAZ		12 ¾" (324mm) 12 ¾" (324mm)	4 ½" (114mm) minimum	16 ½" (419mm) 16 ½" (419mm)

FR

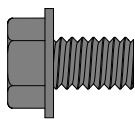
INSTRUCTIONS D'INSTALLATION DES TIROIRS

1. Déballez l'assemblage du cadre et des tiroirs
2. Retirez les tiroirs du cadre en les ouvrant complètement puis en les soulevant pour les retirer des glissières.
3. Placez des cales pour vous assurer que le cadre soit bien ajusté dans l'ouverture. Assurez-vous que les cales soient situées à la même hauteur que les trous de fixation du cadre. Le bas de l'ouverture peut aussi nécessiter des cales afin d'assurer que l'avant du cadre soit d'aplomb.
4. Une fois que le cadre est de niveau et d'équerre, fixez-le en place. (Pièces de fixation non comprises).
5. Réinstallez les tiroirs en inclinant l'arrière pour les engager dans les glissières. Une fois que les roulettes sont insérées dans les glissières, abaissez l'avant du tiroir jusqu'à ce qu'il soit à l'horizontal puis enfoncez-le. Note : Si le cadre est installé avec des cales trop épaisses, les roulettes ne pourront pas s'engager dans les glissières. L'épaisseur des cales devra être réduite.
6. Retirez le revêtement protecteur de toutes les surfaces.

INSTRUCTIONS D'INSTALLATION DES PORTES

1. Déballez le cadre et la porte.
 - a. Pour les portes cambrées en acier inoxydable, retirez la/les porte(s) du cadre en soulevant la porte pendant que vous tenez la tige de pivot. Ceci permettra à la tige de pivot de sortir du trou dans le bas du cadre. Une fois que la tige de pivot est sortie du trou inférieur, abaissez la porte et retirez-la du cadre.
 - b. Pour la porte en acier inoxydable du Prestige V, vous retirez la porte en desserrant la vis Philips centrale sur la charnière, c'est-à-dire la vis la plus éloignée de la porte. Ceci permettra à la charnière de se séparer.
 - c. Pour les ensembles de portes N370-0502 / N370-0503, consultez les instructions comprises avec l'ensemble de portes.
2. Centrez le cadre dans l'ouverture. Marquez l'emplacement des trous de pivot supérieur et inférieur. Rappelez-vous que les portes doubles du PT600 ont des tiges de pivot à chaque extrémité. Les portes de Prestige V n'ont pas de tige de pivot. Une fois que tous les trous de pivot sont marqués, retirez le cadre et percez des trous à l'aide d'une mèche de 3/8" qui serviront à la tige de pivot. Ces trous doivent être d'au moins 1/2" de profondeur. Une fois que les trous sont faits, vous pouvez à nouveau centrer le cadre dans l'ouverture. En commençant par le côté avec la charnière, placez des cales entre le cadre et la paroi latérale de l'ouverture. Pour les portes du Prestige V, assurez-vous que les cales soient près de la charnière. Lorsque le côté du cadre est d'aplomb, fixez-le au cabinet à l'aide de vis (non fournies). Fixez l'autre côté du cadre de la même manière en vous assurant que le cadre soit d'équerre.
3. À l'exception des portes cambrées doubles en acier inoxydable, des pièces de fixation ne sont pas nécessaires dans le haut et le bas du cadre. Les portes cambrées doubles en acier inoxydable doivent être fixées au centre, dans le haut et le bas.
4. Une fois que le cadre est fixé et que vous vous êtes assuré qu'il soit d'équerre, vous pouvez réinstaller la porte.
5. Retirez le revêtement protecteur de toutes les surfaces.

INSTRUCTIONS POUR LE GRIL ENCASTRÉ BIM605

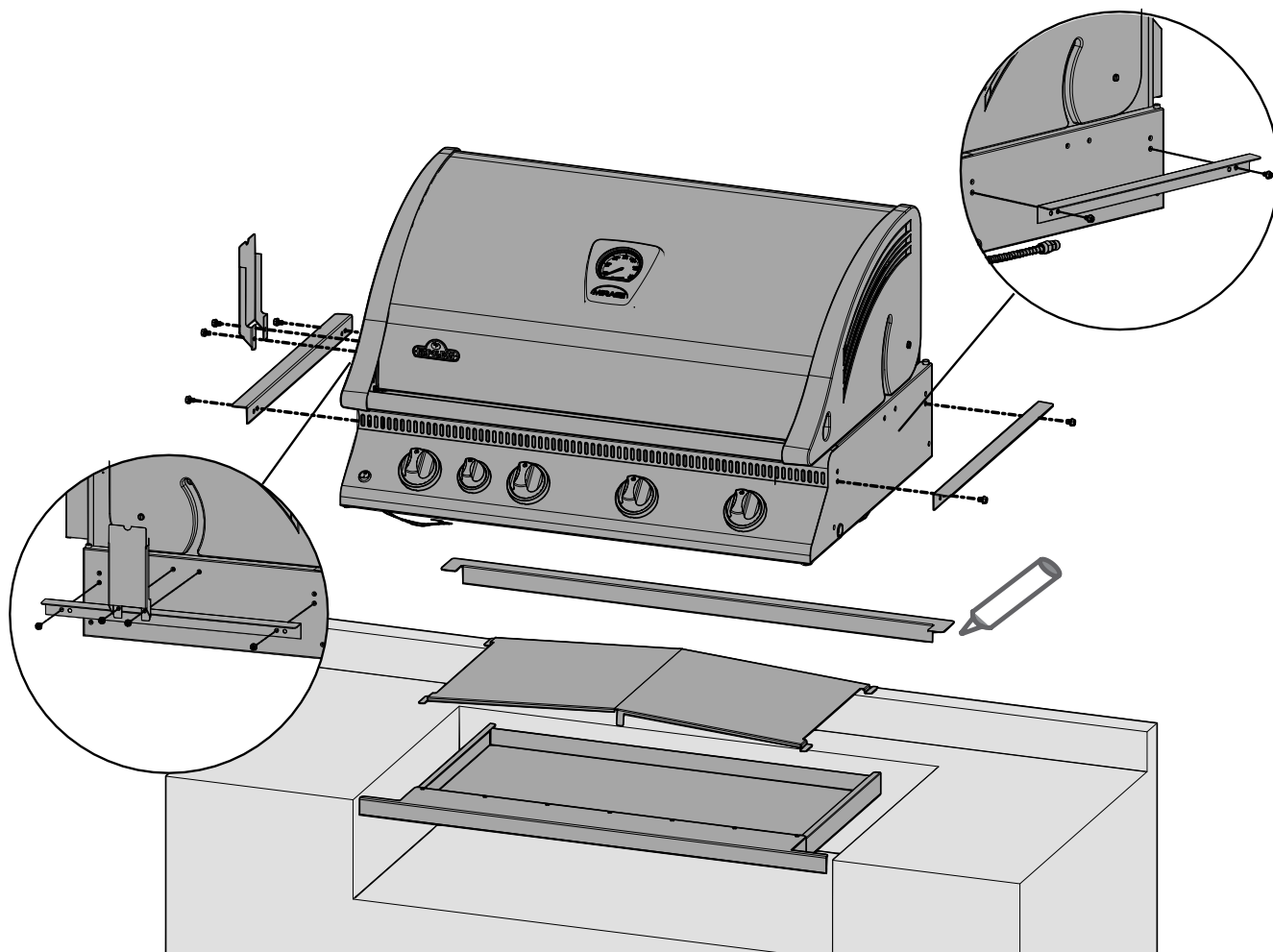


6 x N570-0073 (1/4-20 X 3/8")



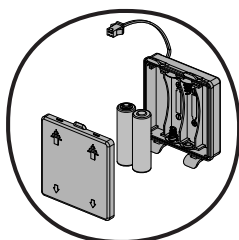
3/8"(10mm)

FR

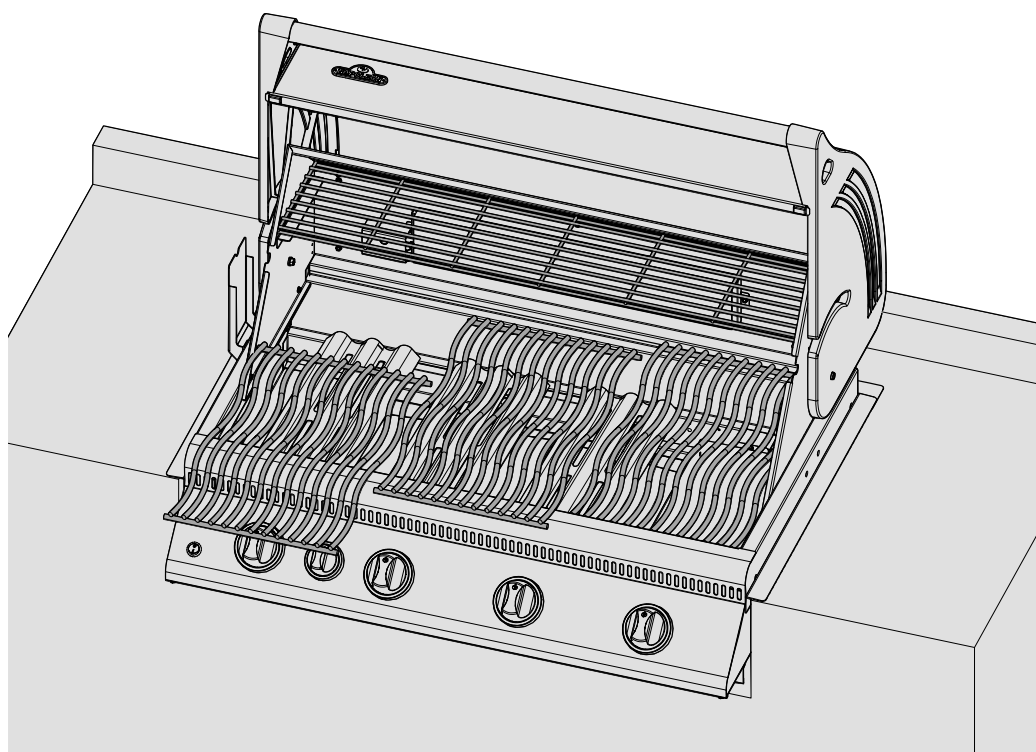
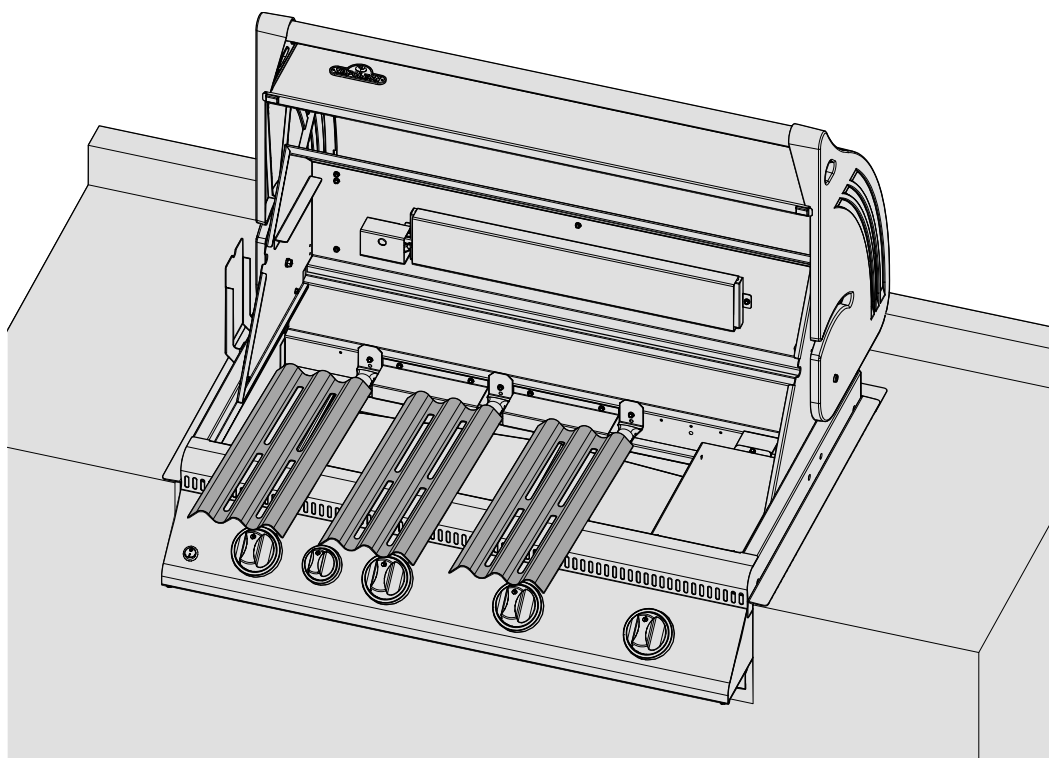


Ce gril est conçu pour des cabinets INCOMBUSTIBLES OU EN MAÇONNERIE seulement et doit être installé et entretenu par un installateur qualifié selon les codes locaux.

1. Fixez les supports de fixation latéraux à chaque côté du gril à l'aide des vis 1/4-20 x 3/8" screws (N570-0073).
2. Placez la moulure arrière le long de l'arrière de l'ouverture. Pour la maintenir en place, vous pouvez appliquer un peu de silicone sur chaque ailette de la moulure arrière.
3. Abaissez l'appareil en place, les ailettes de la moulure arrière doivent être placées sous les supports de fixation latéraux. Branchez la conduite de flexible au raccord à l'extrémité du collecteur.
4. L'installation complète doit être vérifiée pour des fuites avant de faire fonctionner l'appareil.



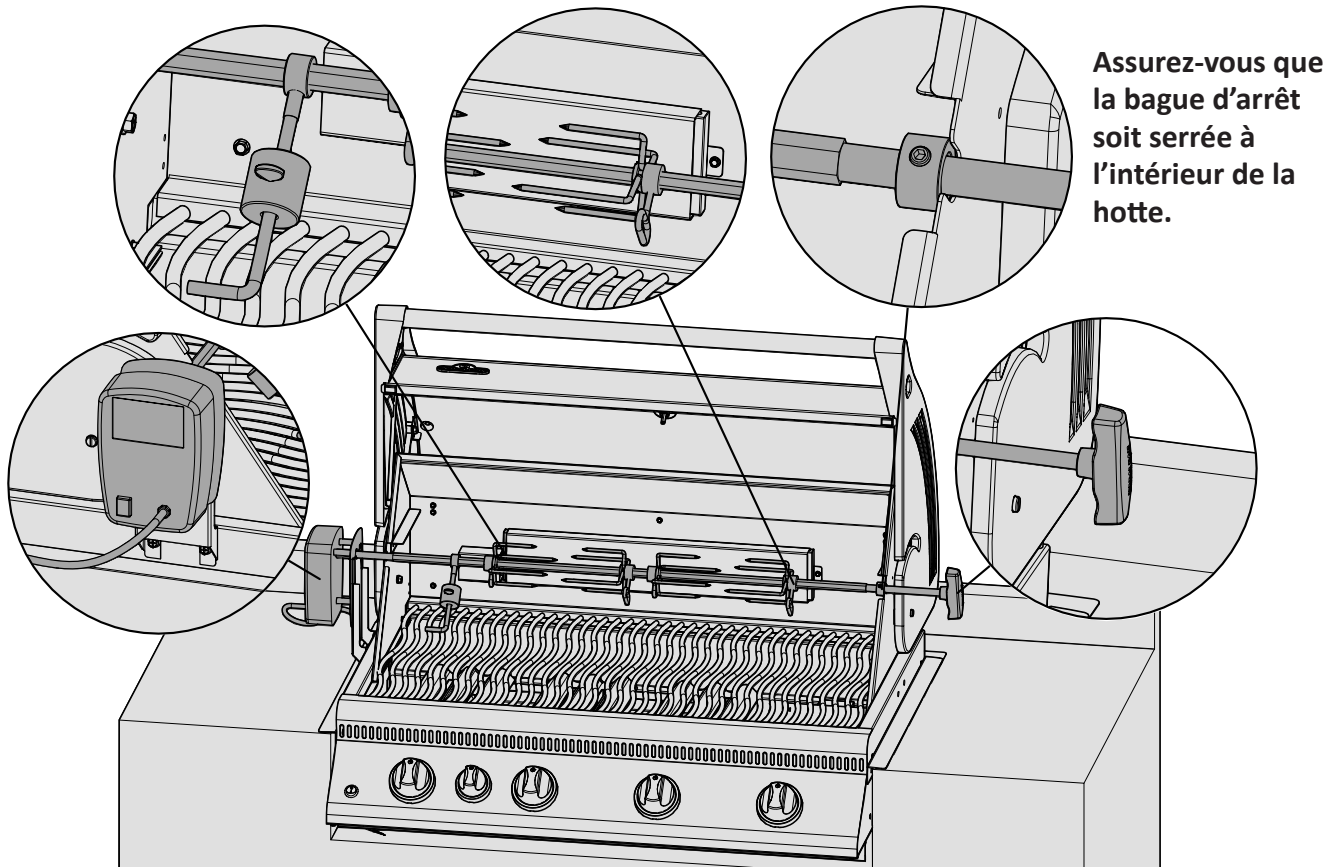
Installez les piles tel qu'illustré. Branchez le fil des lumières del situé sous le panneau de commande dans le fil du bloc-piles. Assurez-vous que les fils n'entrent pas en contact avec le bas du gril. Le bloc-piles (lumières del) doit être fixé à l'intérieur du cabinet, à au moins 20cm en dessous du bas du tiroir d'égouttement pour éviter qu'il ne surchauffe. Assurez vous que les fils et le bloc-piles ne nuisent pas à l'enlèvement du tiroir d'égouttement.



Instructions D'assemblage De L'ensemble De Rôtissoire (optionnelle)

Assemblez les composantes de la rôtissoire tel qu'illustré.

FR



Test De Détection De Fuites



AVERTISSEMENT! Il doit être fait avant la première utilisation, annuellement et à chaque fois qu'une pièce du système de gaz est remplacée ou réparée

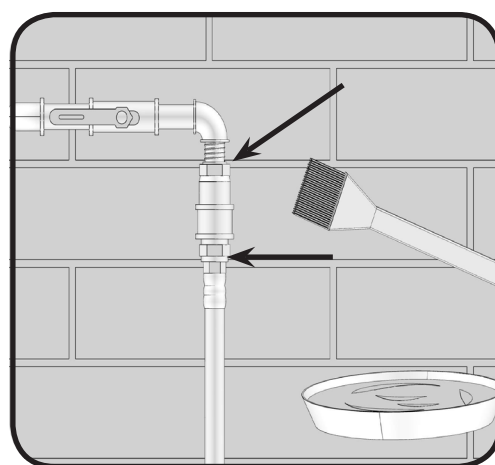
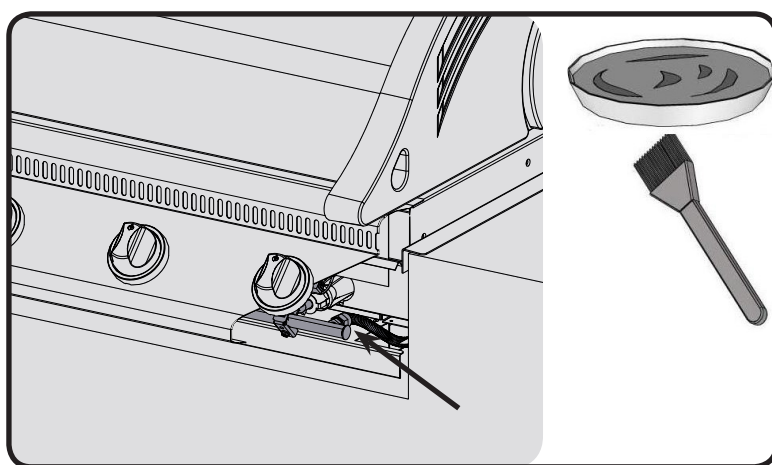


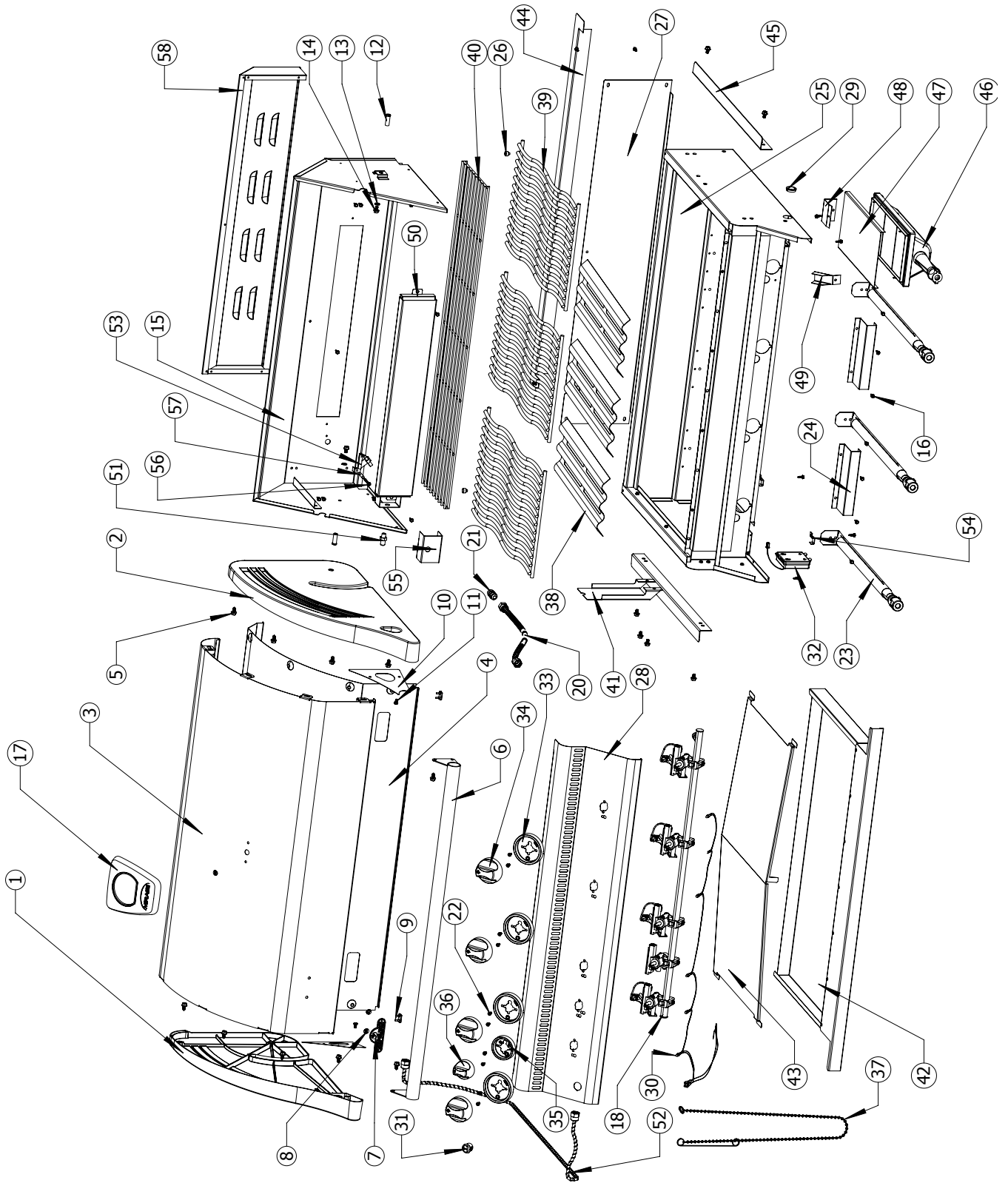
AVERTISSEMENT! N'utilisez pas une flamme nue pour vérifier pour des fuites de gaz. Assurez-vous qu'il n'y ait aucune étincelle ni flamme nue à proximité de l'endroit à vérifier. Les étincelles ou les flammes nues provoqueront un feu ou une explosion, causant des dommages matériels, des blessures graves ou des pertes de vie.



Test De Fuites: Il doit être fait avant la première utilisation, annuellement et à chaque fois qu'une pièce du système de gaz est remplacée ou réparée. Ne fumez pas et enlevez toutes sources d'allumage lorsque vous faites ce test. Consultez le schéma de test de fuites pour voir les endroits à tester.

- 1 - Fermez tous les boutons des brûleurs. Ouvrez la soupape de la bonbonne.
- 2 - Appliquez une solution de deux parts égales de savon liquide et d'eau sur tous les joints du régulateur, le tuyau et ses raccords.
- 3 - Des bulles indiqueront une fuite de gaz. Resserrez le joint ou remplacez la pièce avec une autre recommandée par le détaillant.
- 4 - Si la fuite ne peut être réparée, fermez l'alimentation de gaz à la bonbonne, enlevez-la et faites inspecter votre gril par votre fournisseur de gaz ou détaillant. N'utilisez pas l'appareil jusqu'à ce que la fuite soit réparée.
- 5 - Fermez la soupape de la bonbonne.





Liste Des Pièces

Article	N° de pièce	Description	
1	N135-0042-GY1HT	moulage gauche du couvercle	x
2	N135-0043-GY1HT	moulage droit du couvercle	x
3	N335-0044L	appliqué pour couvercle en acier inoxydable	x
4	N585-0081	pare-chaleur	x
5	N570-0091	vis 1/4-20 x 1/2" - pointe	x
6	N010-0738	poignée du couvercle	x
7	N385-0129	logo NAPOLÉON	x
8	N450-0044	clips pour logo	x
9	N510-0013	pare-chocs du couvercle (silicone noire)	x
10	N080-0287-GY1HT	couverture poignée du couvercle	x
11	N570-0042	vis 10-24 x 3/8"	x
12	N570-0015	vis pivot du couvercle	x
13	N735-0003	rondelle de blocage 1/4"	x
14	N570-0073	vis 1/4-20 x 3/8"	x
15	N010-0513	assemblage de la hotte	x
16	N570-0008	vis #8 x 1/2"	x
17	N685-0016	jauge de température	x
18	N010-0544	assemblage du collecteur	p
19	N010-0545	assemblage du collecteur	n
20	N720-0044	connecteur flexible du collecteur	x
21	W445-0031	raccord fitting 3/8" - 1/2"	x
22	N570-0078	vis M4 x 8 mm	x
23	N100-0036	brûleur principal	x
24	N080-0208	support pour l'allumage croisé du brûleur principal	x
25	N010-0509	cuve	x
26	Z510-0003	pare-chocs silicone noire	x
27	N200-0079-GY1SG	couvercle arrière	x
28	N475-0317	panneau de contrôle	x
29	N105-0001	bague de 7/8"	x
30	N750-0021B	harnais de fils	x
31	N660-0002	commutez la lumière	x
32	N190-0001	ensemble de piles	x
33	N051-0006	cadran de bouton de contrôle	x
34	N380-0021-CL	bouton de contrôle	x
35	N051-0008	cadran de bouton de contrôle	x
36	N380-0020-CL	bouton de contrôle	x
37	N555-0025	tige d'allumage	x
38	N305-0057-M05	plaque de brûleur	x
39	N305-0060	grilles de cuisson - en acier inoxydable	x
40	N520-0024	grille de réchaud	x
41	N475-0301-M06	support de rôtissoire	x
42	N010-0782	tiroir d'égouttement	x
43	N585-0045	pare-chaleur tiroir d'égouttement	x

Liste Des Pièces

Article	N° de pièce	Description	
44	N715-0085	moulage arrière	x
45	N080-0216	support de fixation de l'appareil	x
46	N010-0499	infrarouge brûleur principal	x
47	N565-0002	écrans infrarouge brûleur principal	x
48	N080-0207	support infrarouge brûleur principal	x
49	N215-0007	défecteur infrarouge brûleur principal	x
50	N010-0527P	infrarouge brûleur arrière	p
	N010-0527N	infrarouge brûleur arrière	n
51	N455-0051	orifice de brûleur arrière #1.15mm	P
	N455-0052	orifice de brûleur arrière #51	n
52	N720-0053	brûleur arrière approvisionnement	x
53	N240-0024P	électrode du brûleur arrière	p
	N240-0024N	électrode du brûleur arrière	n
54	N160-0017	clip de bruleur arriere	x
55	N080-0206	de brûleur arrière electrode	x
56	Z570-0002	vis électrode du brûleur arrière	x
57	N615-0011	entretoise électrode du brûleur arrière	x
58	N200-0080	couvercle infrarouge brûleur arrière	x
	N020-0126	principal sac d'accessoires pour lemontage	x
	65331	ensemble de rôtissoire	ac
	63661	housse en vinyle	ac
	56018	plaque de cuisson en acier inoxydable	ac
	67731	bac à charbon de bois	ac

p - appareils propane seulement

n - appareils gaz naturel seulement

x - compris

ac - accessoires



TÉLÉCOPIEZ AU: 705 727 4282

BON DE COMMANDE POUR PIÈCES/ACCESSOIRES

NOM DU CLIENT _____

ADRESSE: _____

TÉLÉPHONE : _____ FAX : _____

EMAIL: _____

VISA OU MASTERCARD : _____ DATE D'EXPIRATION : _____

SIGNATURE: _____

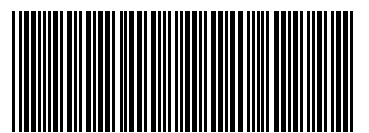
QUANTITÉ	NUMÉRO DE PRODUIT	DESCRIPTION

LES TAXES PEUVENT S'APPLIQUER
LES FRAIS D'EXPEDITION SUPPLÉMENTAIRE

SI VOUS DÉSIREZ RECEVOIR UNE CONFIRMATION, VEUILLEZ INCLURE UN NUMÉRO DE
TÉLÉCOPIEUR OU UNE ADRESSE COURRIEL

NOTES

NOTES



N415-0301