

This Owner's Manual is provided and hosted by [Appliance Factory Parts](#).



# Coleman 5430-700 Owner's Manual

[Shop genuine replacement parts for Coleman 5430-700](#)



[Find Your Coleman Grill Parts - Select From 255 Models](#)

----- Manual continues below -----



The Outdoor Company™

**5430-700 PROPANE STOVE**

(Manufactured: 1987-1989)

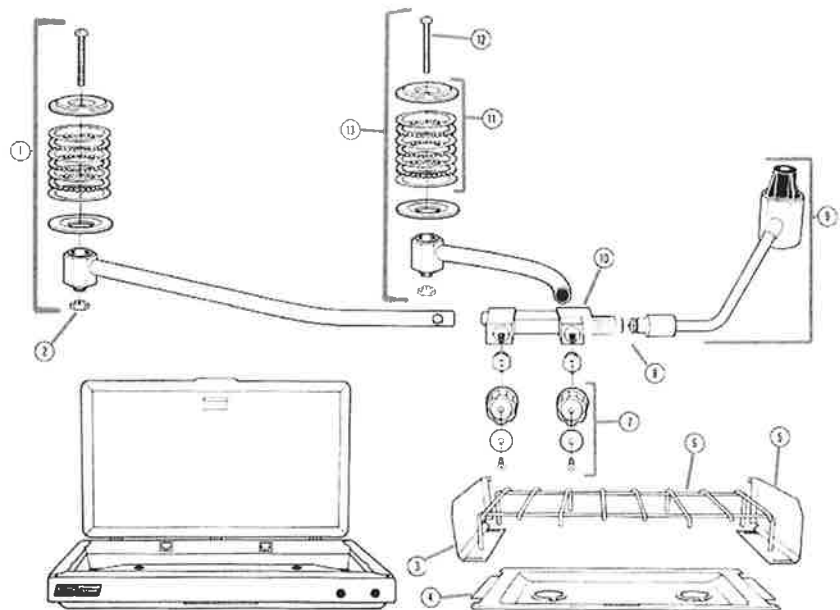
1YEAR WARRANTY

<b>ID#</b>	<b>PART#</b>	<b>DESCRIPTION</b>	<b>PRICE</b>
1	5430-5271	BURNER ASSEMBLY, LEFT	
2	1201B7301	PAL NUT	N/A
3	5430-3411	WIND BAFFLE, LEFT	N/A
4	5430A1501	COOK TOP	
5	5430-3401	WIND BAFFLE, RIGHT	N/A
6	5430-5401	GRATE ASSEMBLY	N/A
7	R413-149T	VALVE KNOB	
8	5410-1341	O-RING	
9	5430-5541	REGULATOR ASSY	
	5445B556C	REGULATOR ASSY (sub if needed)	
10	5430-5301	VALVE ASSY	N/A
11	5430-3461	BURNER RING SET	
12	1022B1022	SCREWS (2)	N/A
	1022B1024	SUB FOR ABOVE	
13	5430-5261	BURNER ASSEMBLY, RIGHT	
	5469-777C	Carry Case	

\*VALVES FOR THIS STOVE ARE NO LONGER AVAILABLE.

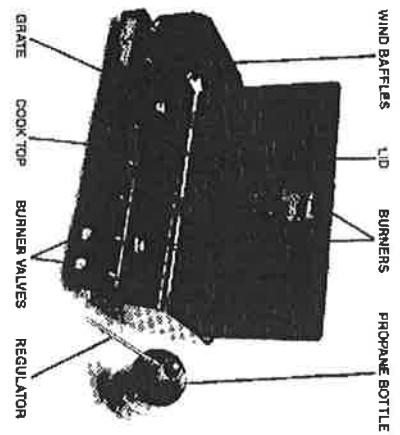
**5430-700**  
**Two-burner (11 in. centers)**  
**Color: Dark Green**  
**Height: 3 in.**  
**Length: 21 in.**  
**Width: 12 3/4 in.**

Updated 10/18/10



Parts not listed are no longer available. Prices are subject to change without notice.





## 1 Follow Instructions And Warnings To Avoid Injury Or Fires.

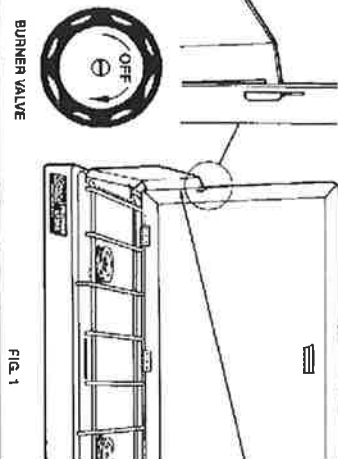
### WARNING:

1. This stove consumes air (oxygen). Do not use in unventilated areas. Ample ventilation must be provided to avoid endangering your life.
2. Use as a cooking appliance only. Never alter in any way or use with any device or part not expressly approved by Coleman. Never use as a space heater. Never leave stove unattended while burning.
3. Never install or remove propane bottle while stove is lit, near flame pilot lights, other ignition sources or while stove is hot to touch.
4. Never store propane near flame, pilot lights, other ignition sources or where temperatures exceed 120° F.
5. Never allow vents, sealing bags, coating or any flammable material to come within 3 feet of the top and 1 foot of all sides of the stove.
6. Never refill disposable propane bottles.
7. Keep all connections and fittings clean. Inspect the "O" ring on the regulator for damage before use.
8. Propane is heavier than air and will accumulate in low places. If you smell gas, leave the enclosure immediately and ventilate thoroughly.
9. If using refillable propane bottle, use only Coleman parts and accessories. During stove set-up, check all hoses and fittings for leaks using soap, water. Never use a flame. Always keep refillable bottle outdoors, never inside house, camper or tent.
10. Clean stove frequently to avoid grease accumulations and possible grease fires.
11. Keep out of reach of children.

## 2 To Set Up

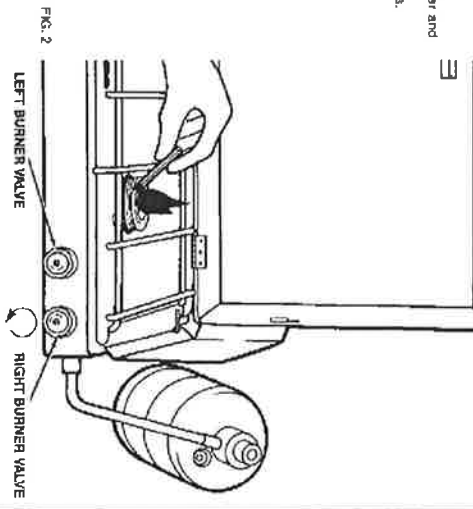
NOTE: The regulator is stored beneath the stove cooktop. See Section 6 below on how to disassemble the stove and remove the regulator. (Fig. 1)

1. Open lid and position wind baffles as shown. (Fig. 1)
2. Close both burner valves.
3. Remove plastic cap and screw propane regulator tight.
4. Screw regulator



## 3 To Light

1. Hold lighted match near burner and open burner valve.
2. Adjust flame with burner valves.



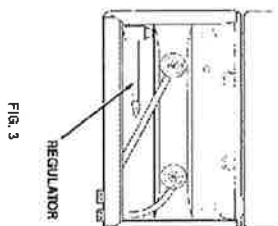
## 4 To Turn Off

1. Close burner valves firmly.



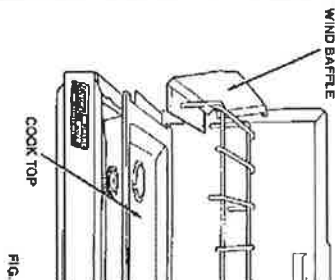
## 5 To Store

1. Remove propane bottle from regulator.
2. Remove regulator from stove. Regulator can be stored under cooktop if desired.



## 6 To Clean

1. Lift off grate.
2. Remove wind baffles and lift a
3. Wipe clean with soft cloth and use abrasives.



### Cleaning instructions for 5430 campstove burners.

1. Open the lid and remove the stove grate.
2. Now, looking down into the stove, remove the screws (ID #9) from the center of each burner assembly (ID #1 & #10).
3. Next, lift up the cap, the complete fire ring assembly (ID #8), and the burner bowl from each burner assembly.
4. You can now remove the cook top (ID #3) from the stove case. Wearing a pair of heavy-duty work lift up the cook top and remove it from the stove case. **Please note\*\*the cook tops have very sharp edges; this is why you need to wear heavy-duty work gloves.**
5. To remove the burner body for cleaning, stand the stove up, lengthwise, on its side with the lid open (should look like the letter V). Looking at the back of the stove case, you will see two holes towards the center, and inside these two holes are two pal nuts. These nuts hold the burner bodies to the case. Using a 3/8" nut driver remove each of the pal nuts (ID #2). Once this is done, lay the stove down with the lid open on a flat surface. Lift up on the burner bodies and remove them from inside of the stove case.
6. You can now clean out the metal tubes on the burner bodies. Using a straightened coat hanger or a piece of flexible wire, twist a small piece of rag on the end. Push the wire from the open end of the tube up into the rounded end and pull it back out. Make sure the wire is pushed completely thru each of the metal tubes. Twist and turn the wire while pushing. This will clean out any spider nest and bug pouches that are adhered to the inside walls of the metal tubing. Blow the tubes out with compressed air after the tube has been cleaned internally with the wire. You can now reassemble the stove. Start with step 5, and work your way back to step 1.

