



FRIEDRICH

1883

Single Zone Air Conditioner SVC MANUAL (Exploded View)

DUCTLESS SPLIT SYSTEMS

CAUTION

Before Servicing the unit, read the safety precautions in General SVC manual.
Only for authorized service personnel.

MODEL: MD24Y3J

THE EXPERTS IN ROOM AIR CONDITIONING

960-920-12

1. Specification

Indoor

Model Name				MD24Y3J	
Power Supply		V, Ø, Hz		208/230, 1, 60	
Power Input		W x No.		-	
Running Current		A		1.0	
Casing Color		-		-	
Dimensions	Body	W x H x D	mm	1,182 × 298 × 450	
		W x H x D	inch	46-17/32 x 11-23/32 x 17-23/32	
Net Weight	Body	kg (lbs)		33.0 (72.8)	
Heat Exchanger	(Row x Column x Fins per inch) x No.		-	(3 x 12 x 21) x 1	
	Face Area		m ² (ft ²)	0.26 (2.77)	
Fan	Type		-	Sirocco Fan	
	Air Flow Rate	High-static Mode (Factory Set)	H / M / L	m ³ /min	19.5 / 17.5 / 15.0
			H / M / L	ft ³ /min	688 / 168 / 530
		External Static Pressure	Pa (mmAq)	100.0(10.2)	
Fan Motor	Type		-	BLDC	
	Output		W x No.	154 x 1	
Dehumidification Rate		l / h (pts/h)		3.3 (7.0)	
Sound Pressure Level		H / M / L	dB(A)	38 / 36 / 35	
Sound Power Level		Cooling	dB(A)	56	
Piping Connections	Liquid		mm(inch)	Ø 9.52 (3/8)	
	Gas		mm(inch)	Ø 15.88 (5/8)	
	Drain (O.D. / I.D.)		mm	Ø 32.0(1-1/4) / 25.0(31/32)	
Safety Devices		-		Fuse	
		-		-	
Power and Communication Cable (included Earth)		No. x mm ² (AWG)		4C x 0.75 (18)	

Note:

1. All data are based on the following conditions:

- Cooling Temperature : Indoor 26.7°C(80°F) DB / 19.4°C(67°F) WB
Outdoor 35°C(95°F) DB / 23.9°C(75°F) WB
- Heating Temperature : Indoor 21.1°C(70°F) DB / 15.6°C(60°F) WB
Outdoor 8.33°C(47°F) DB / 6.11°C(43°F) WB
- Piping Length : Interconnected Pipe Length = 7.5m
- Difference Limit of Elevation (Outdoor ~ Indoor Unit) is Zero.

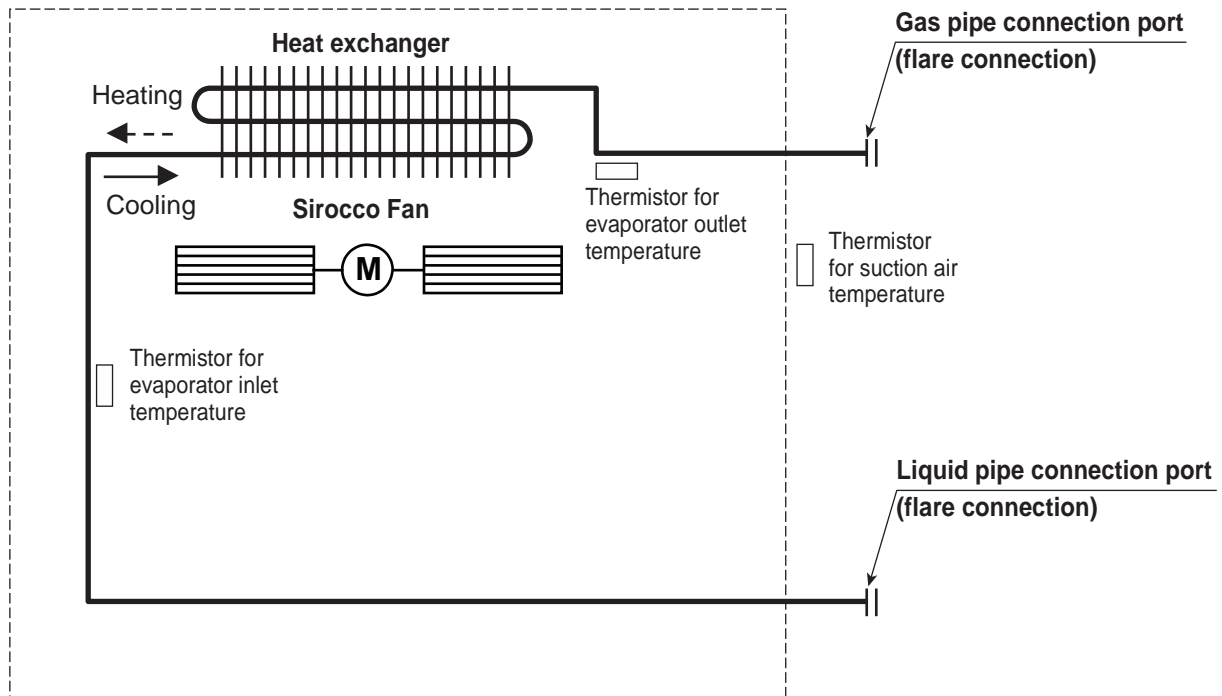
2. Wiring cable size must comply with the applicable local and national code.

3. Due to our policy of innovation some specifications may be changed without notification.

4. Sound Level Values are measured at Anechoic chamber.

Therefore, these values can be increased(maximum 3dB(A)) owing to ambient conditions during operation.

2. Piping Diagrams



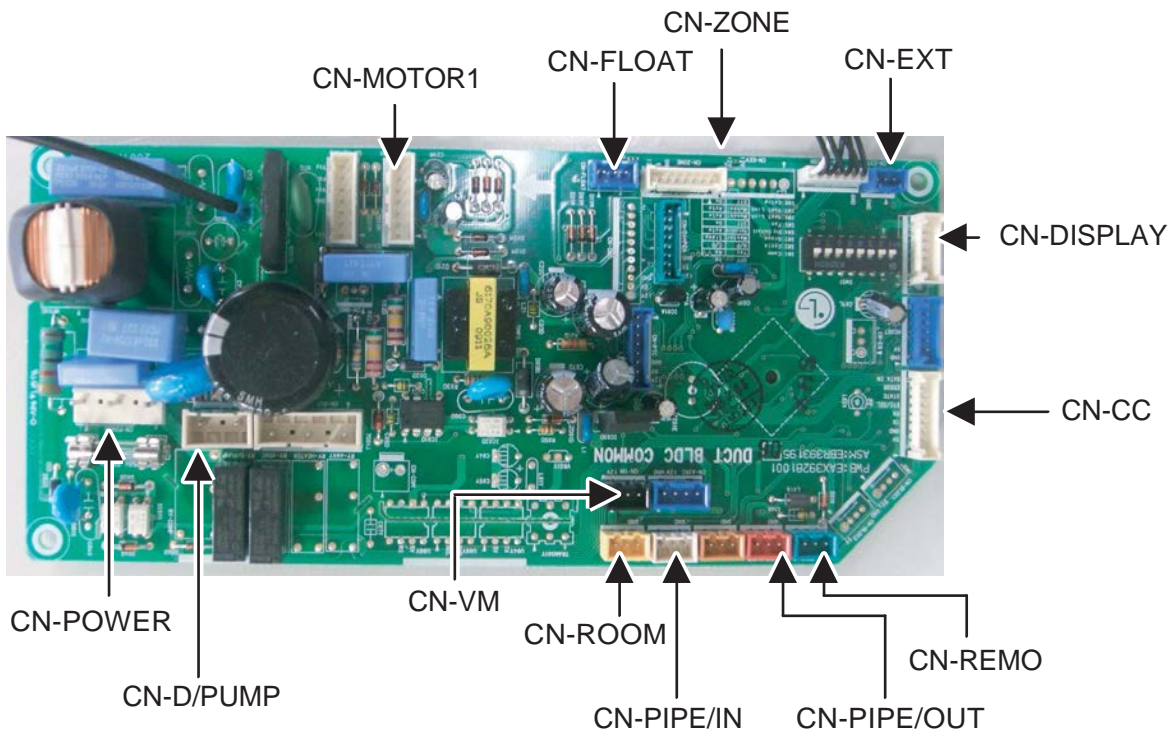
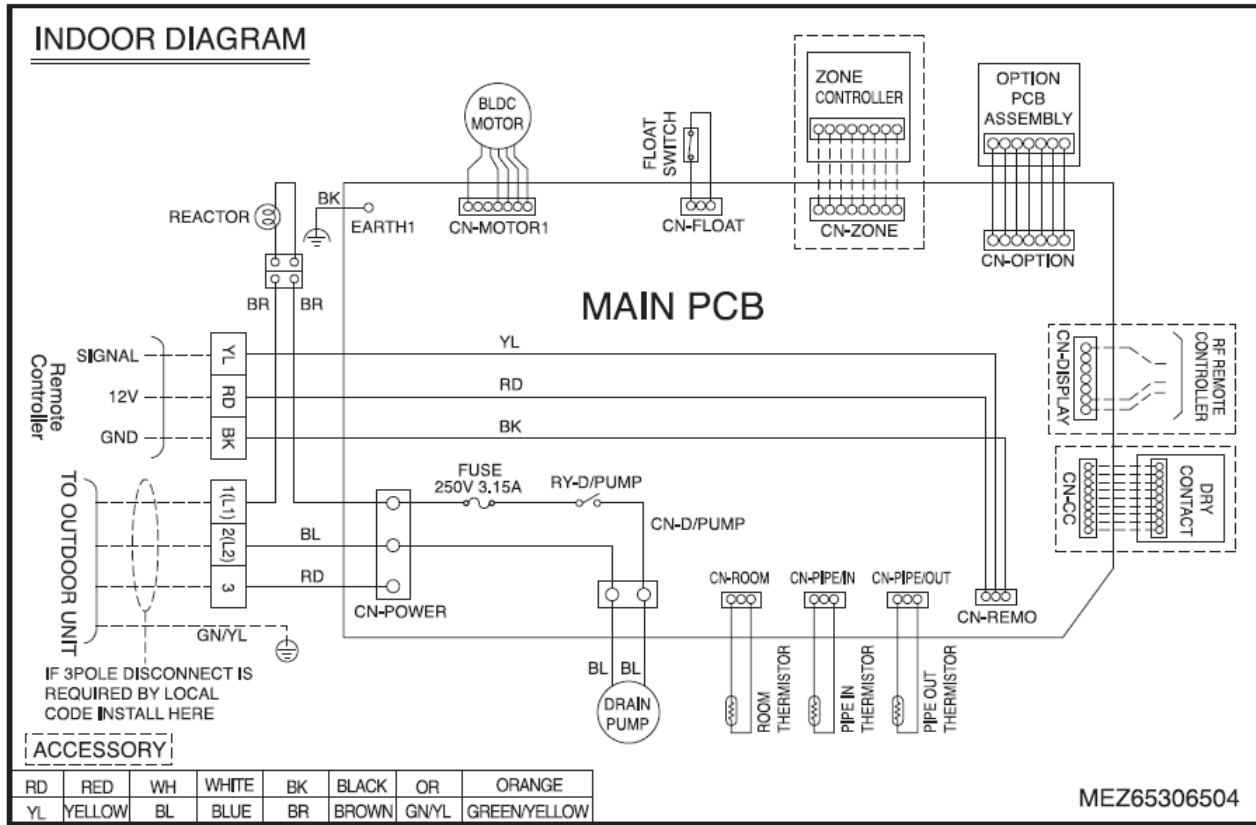
Description	PCB Connector
Thermistor for suction air temperature	CN-ROOM
Thermistor for evaporator inlet temperature	CN-PIPE / IN
Thermistor for evaporator outlet temperature	CN-PIPE / OUT

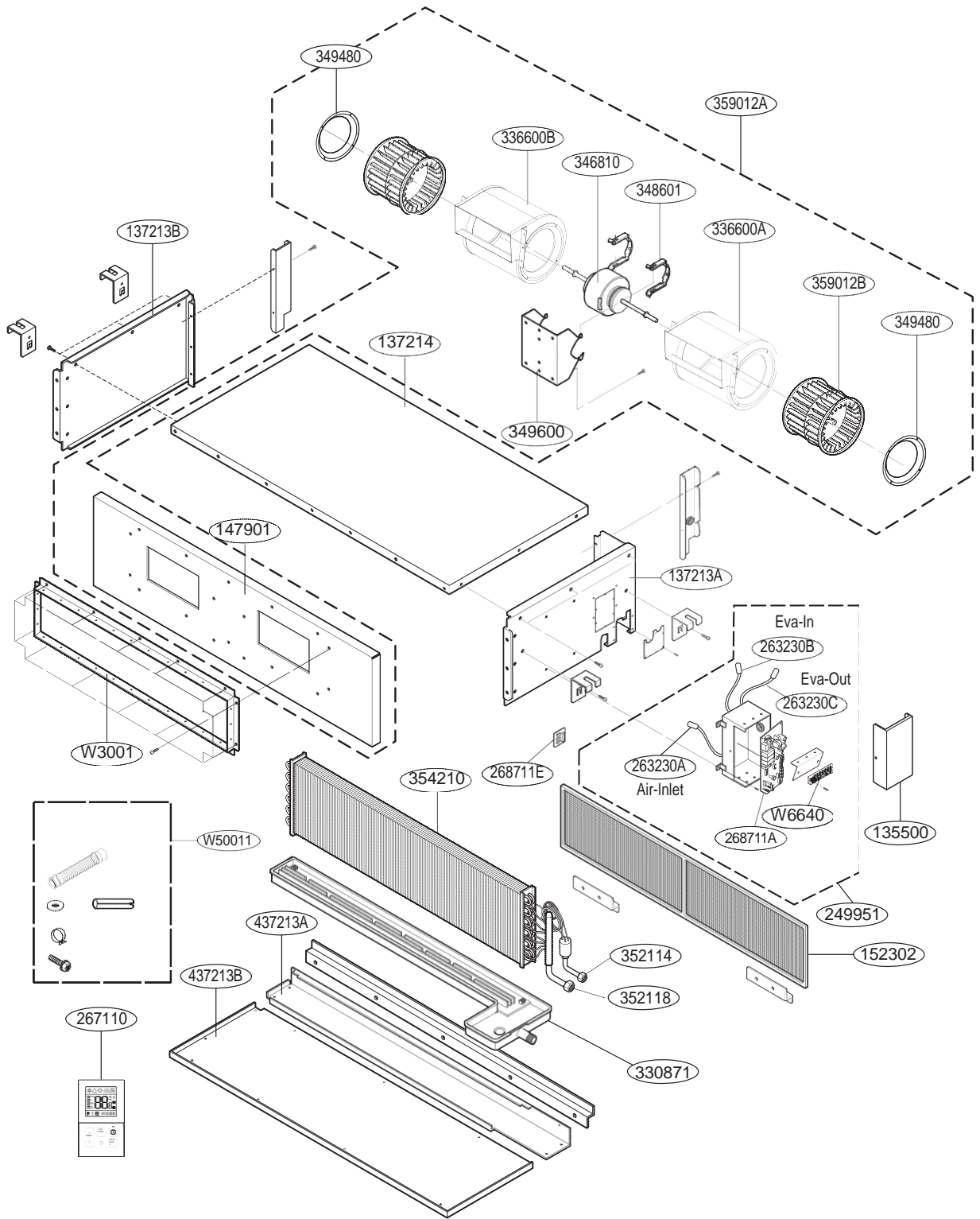
n Refrigerant pipe connection port diameters

[Unit: mm(inch)]

Model	Gas	Liquid
ABNH24GGLA2 [MD24Y3J]	Ø15.88(5/8)	tØ9.52(3/8)

3. Wiring Diagrams





Location No.	Description	Sensor Information	Housing Color
263230A	Thermistor1(CN_ROOM)	Air-Inlet	Orange
263230B	Thermistor2(CN_PIPE/IN)	Eva-in	White
263230C	Thermistor3(CN_PIPE/OUT)	Eva-out	Red

Model: MD24Y3J

Loc No.	Description	Friedrich Part #
W50011	Accessory Assembly, Indoor	67600001
W3001	Angle Assembly	67600200
147901	Barrier, Indoor	67600400
349600	Bracket, Motor	67600714
249951	Case Assembly, Control(Indoor)	67600908
348601	Clamp, Motor	67607000
W6640	Connector, Terminal Block	67601408
135500	Cover	67601500
354210	Evaporator Assembly, First	67602008
359012A	Fan Assembly, Blower	67602106
359012B	Fan Assembly, Blower	67602101
152302	Filter, Air	67602204
336600A	Housing Assembly	67602900
336600B	Housing Assembly	67602905
346810	Motor Assembly, DC	67603304
349480	Orifice	67603600
349480	Orifice	67603600
330871	Pan Assembly, Drain	67603700
437213A	Panel Assembly, Rear(Indoor)	67603813
437213B	Panel Assembly, Rear(Indoor)	67603814
137213A	Panel Assembly, Side	67603822
137213B	Panel Assembly, Side	67603823
137214	Panel Assembly, Upper	67603833
268711A	PCB Assembly, Main	67603910
268711E	PCB Assembly, Option	67603919
267110	Remote Controller Assembly	67604306
263230A	Thermistor Assembly, NTC	67604810
263230B	Thermistor Assembly, NTC	67604820
263230C	Thermistor Assembly, NTC	67604822
352114	Tube Assembly, Distributor	67605700
352118	Tube Assembly, Manifold (Indoor)	67606003



Friedrich Air Conditioning Co. | 10001 Reunion Place, Suite 500 | San Antonio, TX 78216 | 877.599.5665
www.friedrich.com