



FRIEDRICH

1 8 8 3

Single Zone Air Conditioner SVC MANUAL (Exploded View)

DUCTLESS SPLIT SYSTEMS

CAUTION

Before Servicing the unit, read the safety precautions in General SVC manual.
Only for authorized service personnel.

MODEL: MD36Y3J

THE EXPERTS IN ROOM AIR CONDITIONING

960-914-05

1. Specification

Indoor

Model Name				MD36Y3J	
Power Supply		V, Ø, Hz		208/230, 1, 60	
Power Input		W x No.		-	
Running Current		A		1.6	
Casing Color		-		-	
Dimensions	Body	W x H x D	mm	1,230 × 380 × 590	
		W x H x D	inch	48-7/16 x 14-31/32 x 23-7/32	
Net Weight	Body		kg (lbs)	56.5(114.6)	
Heat Exchanger	(Row x Column x Fins per inch) x No.		-	(3 x 16 x 18) x 1	
	Face Area		m ² (ft ²)	0.36 (3.87)	
Fan	Type		-	Sirocco Fan	
	Air Flow Rate	High-static Mode (Factory Set)	H / M / L	m ³ /min	32.0 / 27.0 / 20.0
			H / M / L	ft ³ /min	1,130 / 953/ 706
			External Static Pressure	Pa (mmAq)	100.0(10.2)
Fan Motor	Type		-	BLDC	
	Output		W x No.	350 x 1	
Dehumidification Rate			l / h (pts/h)	5.0 (10.6)	
Sound Pressure Level		H / M / L	dB(A)	39 / 38 / 37	
Sound Power Level		Cooling	dB(A)	56	
Piping Connections	Liquid		mm(inch)	Ø 9.52 (3/8)	
	Gas		mm(inch)	Ø 15.88 (5/8)	
	Drain (O.D. / I.D.)		mm	Ø 32.0(1-1/4) / 25.0(31/32)	
Safety Devices			-	Fuse	
			-	-	
Power and Communication Cable (included Earth)			No. x mm ² (AWG)	4C x 0.75 (18)	

Note:

1. All data are based on the following conditions:

- Cooling Temperature : Indoor 26.7°C(80°F) DB / 19.4°C(67°F) WB
Outdoor 35°C(95°F) DB / 23.9°C(75°F) WB
- Heating Temperature : Indoor 21.1°C(70°F) DB / 15.6°C(60°F) WB
Outdoor 8.33°C(47°F) DB / 6.11°C(43°F) WB
- Piping Length : Interconnecting Piping Length : 7.5m
- Difference Limit of Elevation (Outdoor ~ Indoor Unit) is Zero.

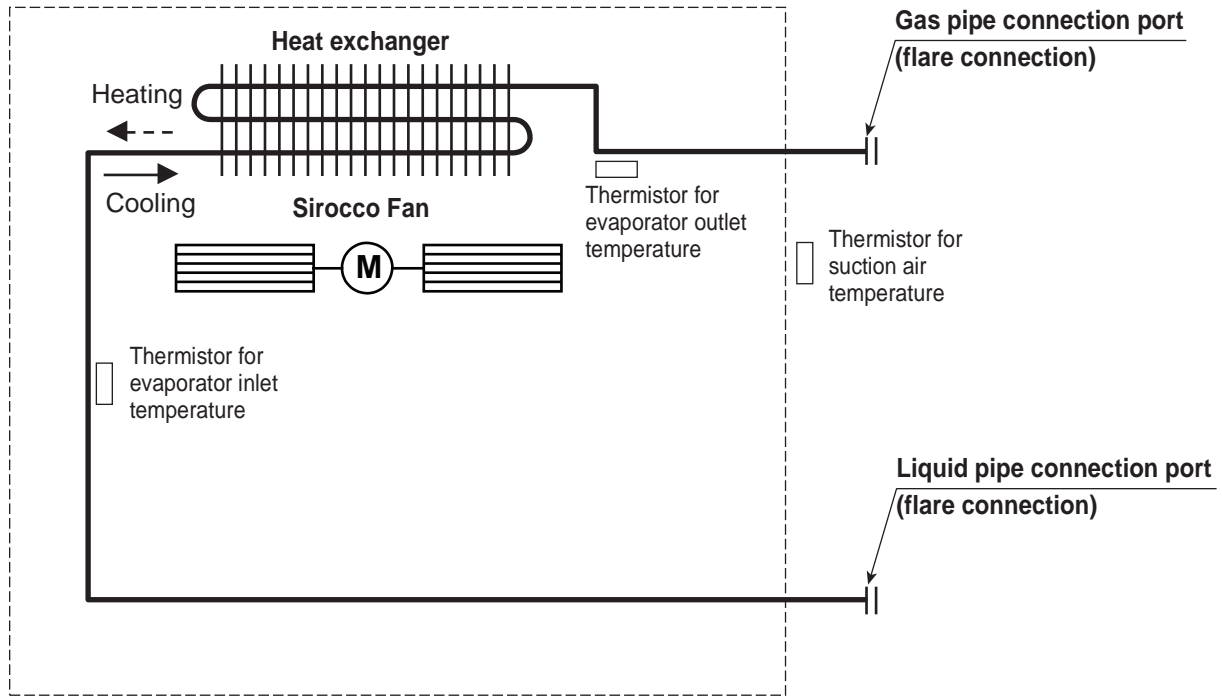
2. Wiring cable size must comply with the applicable local and national code.

3. Due to out policy of innovation some specifications may be changed without notification.

4. Sound Level Values are measured at Anechoic chamber.

Therefore, these values can be increased (maximum 3dB(A)) owing to ambient conditions during operation.

2. Piping Diagrams

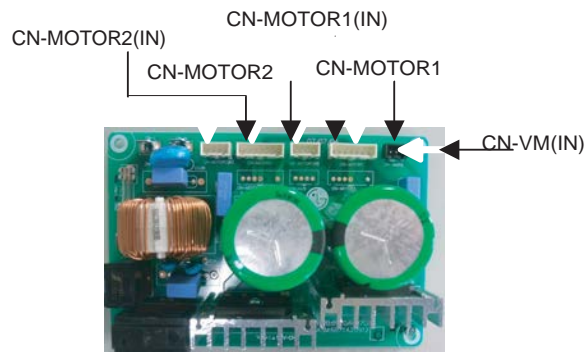
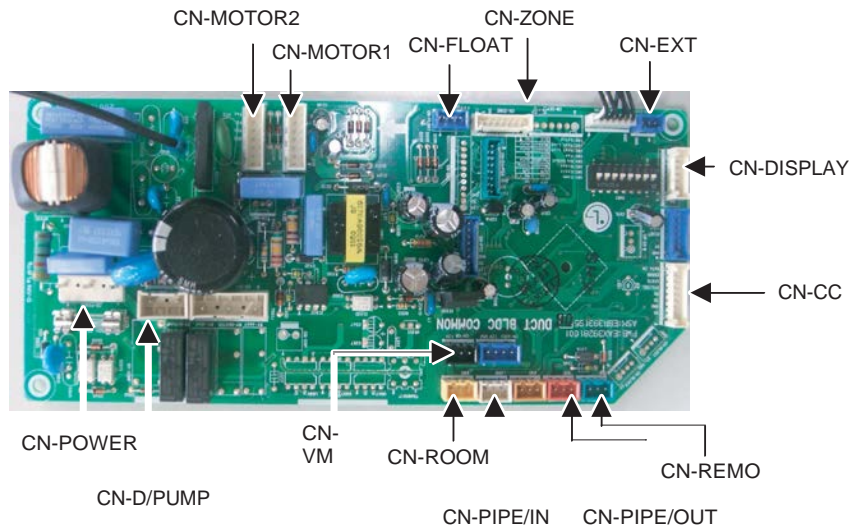
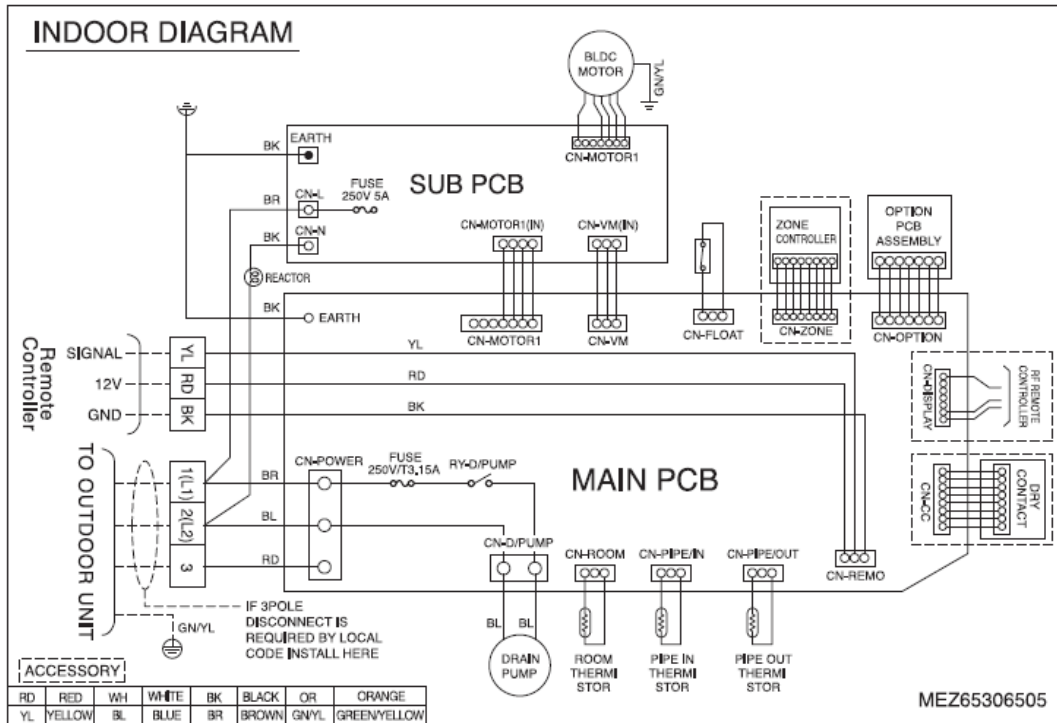


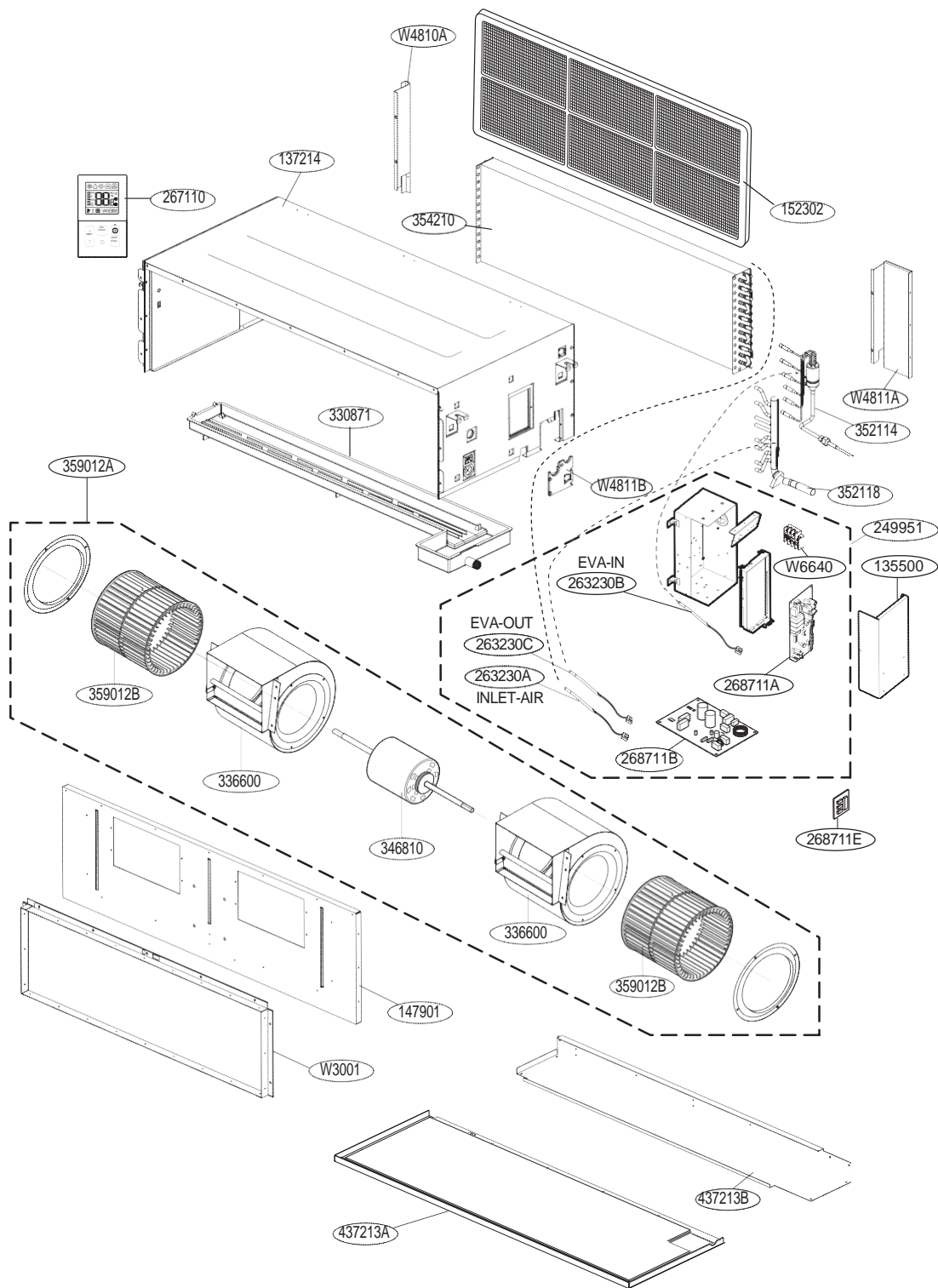
Description	PCB Connector
Thermistor for suction air temperature	CN-ROOM
Thermistor for evaporator inlet temperature	CN-PIPE / IN
Thermistor for evaporator outlet temperature	CN-PIPE / OUT

▪ Refrigerant pipe connection port diameters

Model	Gas	Liquid
MD36Y3J	Ø15.88(5/8)	Ø9.52(3/8)

3. Wiring Diagrams





Location No.	Description	Sensor Information	Housing Color
263230A	Thermistor1(CN_ROOM)	Air-Inlet	Orange
263230B	Thermistor2(CN_PIPE/IN)	Eva-in	White
263230C	Thermistor3(CN_PIPE/OUT)	Eva-out	Red

Model: MD36Y3J

Loc No.	Description	Friedrich Part #
W3001	Angle Assembly	67600201
147901	Barrier,Indoor	67600401
W4810A	Bracket	67600701
W4811A	Bracket Assembly	67600705
W4811B	Bracket Assembly	67600704
249951	Case Assembly,Control(Indoor)	67600907
W6640	Connector,Terminal Block	67601408
135500	Cover	67601501
354210	Evaporator Assembly,First	67602013
359012A	Fan Assembly,Blower	67602102
359012B	Fan Assembly,Blower	67602100
152302	Filter,Air	67602205
336600	Housing Assembly	67602901
346810	Motor Assembly,DC,Indoor	67603311
330871	Pan Assembly,Drain	67603701
437213A	Panel Assembly,Rear(Indoor)	67603811
437213B	Panel Assembly,Rear(Indoor)	67603812
137214	Panel Assembly,Upper	67603832
268711A	PCB Assembly,Main	67603911
268711E	PCB Assembly,Option	67603920
268711B	PCB Assembly,Sub	67603927
267110	Remote Controller Assembly	67604306
263230A	Thermistor Assembly,NTC	67604810
263230B	Thermistor Assembly,NTC	67604820
263230C	Thermistor Assembly,NTC	67604822
352114	Tube Assembly,Distributor	67605701
352118	Tube Assembly,Manifold(Indoor)	67606001



FRIEDRICH

Friedrich Air Conditioning Co. | 10001 Reunion Place, Suite 500 | San Antonio, TX 78216 | 877.599.5665
www.friedrich.com