

This Owner's Manual is provided and hosted by [Appliance Factory Parts](#).



FRIEDRICH MR12Y3J Owner's Manual

[Shop genuine replacement parts for FRIEDRICH
MR12Y3J](#)



[Find Your FRIEDRICH Air Cleaner Parts - Select From 41 Models](#)

----- Manual continues below part list -----

Available Replacement Parts for FRIEDRICH MR12Y3J

P67602527	Grill Discharge
P67603316	Motor Assembly DC Outdoor
P67603938	PCB Assembly Main
P67604811	Thermistor Assembly NTC

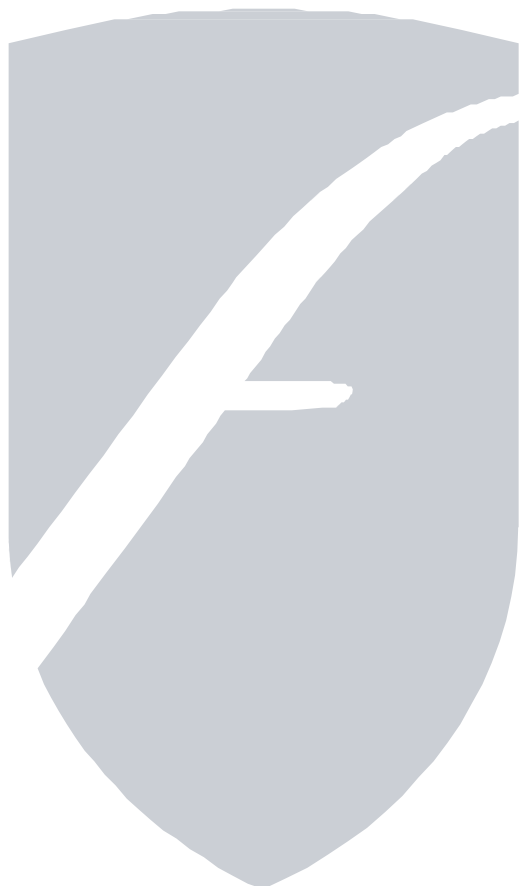


FRIEDRICH

1 8 8 3

SVC Manual (Exploded View)

DUCTLESS SPLIT SYSTEMS



TYPE : WALL MOUNTED



Applied Models :
M09YJ
M12YJ
M09CJ
M12CJ

THE EXPERTS IN ROOM AIR CONDITIONING

FAC P/no : 960-920-00

Product Specifications

FAC Model Name	System		M09CJ	M12CJ	M09YJ	M12YJ	
	Outdoor Unit		MR09C1J	MR12C1J	MR09Y3J	MR12Y3J	
	Indoor Unit		MW09C1J	MW12C1J	MW09Y3J	MW12Y3J	
Cooling Capacity		kW	0.89~2.638~3.70	0.89~3.106~4.30	0.89~2.638~3.70	0.89~3.282~4.30	
		Btu/h.	3,070~9,000~12,620	3,070~10,600~14,660	3,070~9,000~12,620	3,070~11,200~14,660	
Heating Capacity		kW	-	-	0.89~3.165~3.70	0.89~3.898~4.30	
		Btu/h.	-	-	3,070~10,800~17,060	3,070~13,300~20,470	
Power Input	Cooling	W	677	815	677/700	896/1,000	
Running Current	Cooling	A	6	7.3	3/3.7	4.2/4.9	
Starting Current	Cooling	A	6	7.3	3/3.7	4.2/4.9	
Cooling COP		-	3.9	3.81	3.9	3.66	
EER		-	13.3	13.0	13.3	12.5	
SEER		-	21.5	21.5	21.5	21.5	
HSPF		-	-	-	11	11	
Power Supply		∅ / V / Hz	1/115/60	1/115/60	1/208-230/60	1/208-230/60	
Power Factor		%	98	97	94	97	
Air Flow Rate	Indoor (QUIET, LOW, MED, HIGH)	m³/min(CFM)	3.5(124)/6.0(212)/7.7(272)/9.5(335)	3.5(124)/6.0(212)/7.7(272)/9.5(335)	3.5(124)/6.0(212)/7.7(272)/9.5(335)	3.5(124)/6.0(212)/7.7(272)/9.5(335)	
	Outdoor,Max	m³/min(CFM)	33(1,165)	33(1,165)	33(1,165)	33(1,165)	
Moisture Removal		l/h.	1.1	1.3	1.1	1.3	
Sound Level	Indoor,H/M/L/Sleep	dB(A)±3	39 / 33 / 24 / 19	39 / 33 / 24 / 19	39 / 33 / 24 / 19	39 / 33 / 24 / 19	
	Outdoor,Max	dB(A)±3	45	45	45	45	
Refrigerant & Charge (at 7.5 m/24.6ft)		q(oz)	R410A, 1.000(35.3)	R410A, 1.000(35.3)	R410A, 1.000(35.3)	R410A, 1.000(35.3)	
Additional Refrigerant charge		q/m(oz/ft)	20(0.22)	20(0.22)	20(0.22)	20(0.22)	
Compressor	Type		Single Rotary	Single Rotary	Single Rotary	Single Rotary	
	Model		GA102MFB	GA102MFB	GA102MFB	GA102MFB	
	Motor Type		Brushless DC Motor	Brushless DC Motor	Brushless DC Motor	Brushless DC Motor	
	Oil Type		PVE(FVC68D)	PVE(FVC68D)	PVE(FVC68D)	PVE(FVC68D)	
	Oil Charge	cc	310	310	310	310	
Fan(Indoor)	Type		Cross Flow Fan	Cross Flow Fan	Cross Flow Fan	Cross Flow Fan	
	Motor Output	W	20	20	20	20	
Fan(Outdoor)	Type		Propeller	Propeller	Propeller	Propeller	
	Motor Type		BLDC	BLDC	BLDC	BLDC	
	Motor Output	W	43	43	43	43	
Circuit Breaker*		A	20	20	15	15	
Power Supply Cable			3*2.0(14)	3*2.0(14)	3*1.0(18)	3*1.0(18)	
Power and Transmission Cable			4*1.0 (18)	4*1.0 (18)	4*1.0 (18)	4*1.0 (18)	
Piping Connections	Liquid Side	mm(in)	6.35(1/4)	6.35(1/4)	6.35(1/4)	6.35(1/4)	
	Gas Side	mm(in)	9.52(3/8)	9.52(3/8)	9.52(3/8)	9.52(3/8)	
Drain Hose(O.D / I.D.)		mm(in)	21.5 / 16.0(0.85 / 0.63)	21.5 / 16.0(0.85 / 0.63)	21.5 / 16.0(0.85 / 0.63)	21.5 / 16.0(0.85 / 0.63)	
Dimensions	Indoor (W*H*D)	mm	885*285*210	885*285*210	885*285*210	885*285*210	
		inch	35.2*11.2*8.3	35.2*11.2*8.3	35.2*11.2*8.3	35.2*11.2*8.3	
	Outdoor (W*H*D)	mm	770*545*288	770*545*288	770*545*288	770*545*288	
		inch	30.3*21.5*11.3	30.3*21.5*11.3	30.3*21.5*11.3	30.3*21.5*11.3	
Net Weight	Indoor	kg(lbs)	10.2(22.5)	10.2(22.5)	10.2(22.5)	10.2(22.5)	
	Outdoor	kg(lbs)	34(78)	34(78)	34(78)	34(78)	
Gross Weight	Indoor	kg(lbs)	12.4(27.3)	12.4(27.3)	12.4(27.3)	12.4(27.3)	
	Outdoor	kg(lbs)	35.8(78.9)	35.8(78.9)	35.8(78.9)	35.8(78.9)	
Operation Range	Cooling(Outdoor)	°C(°F)DB	-10(-18)*~48(114.0)*~118.4	-10(-18)*~48(114.0)*~118.4	-10(-18)*~48(114.0)*~118.4	-10(-18)*~48(114.0)*~118.4	
	Heating(Outdoor)	°C(°F)WB	-	-	-20(-4)~24(75.2)	-20(-4)~24(75.2)	
Piping Length (Min/Max)		m(ft)	2(6.6) / 20(65.6)	2(6.6) / 20(65.6)	2(6.6) / 20(65.6)	2(6.6) / 20(65.6)	
Chargeless		m(ft)	12.5(41.0)	12.5(41.0)	12.5(41.0)	12.5(41.0)	
Max. Elevation Difference		m(ft)	10(32.8)	10(32.8)	10(32.8)	10(32.8)	
Tool Code(Chassis)	Indoor + Outdoor		SB + UL2	SB + UL2	SB + UL2	SB + UL2	
Functions	Temperature Control		O	O	O	O	
	Allergy free filter		-	-	-	-	
	Plasma Filter		-	-	-	-	
	Pre-filter(washable/anti-fungus)		O	O	O	O	
	Auto Clean		O	O	O	O	
	CHAOS Wind(Auto Wind)		O	O	O	O	
	Steps, Fan/Cool/Heat		6/6	6/6	6/6/6	6/6/6	
	Airflow Direction Control(Up& Down)		Auto	Auto	Auto	Auto	
	Airflow Direction Control(Left & Right)		Auto	Auto	Auto	Auto	
	Remote Controller Type		Wireless LCD	Wireless LCD	Wireless LCD	Wireless LCD	
	Setting Temperature	Cooling	18°C~30°C	18°C~30°C	18°C~30°C	18°C~30°C	
	Range	Heating	-	-	16°C~30°C	16°C~30°C	
	Auto Operation (MicomControl)		-	-	-	-	
	Auto Changeover (MicomControl)		O	O	O	O	
	Self Diagnosis		O	O	O	O	
	Timer		24h, On/off	24h, On/off	24h, On/off	24h, On/off	
	Sleep Operation		O	O	O	O	
	Soft Drv Operation		O	O	O	O	
	Restart Delay (minute)		3	3	3	3	
	Deice Control(Defrost)		-	-	O	O	
	Hot Start		-	-	O	O	
	sURGE Cool(Surge)		O	O	O	O	
	Low Ambient Operation		O	O	O	O	
	Special Function			Water Level Sensor	Water Level Sensor	Water Level Sensor	Water Level Sensor
				Wind Baffle kit	Wind Baffle kit	Wind Baffle kit	Wind Baffle kit

Note:

O : Applied, - : No relation

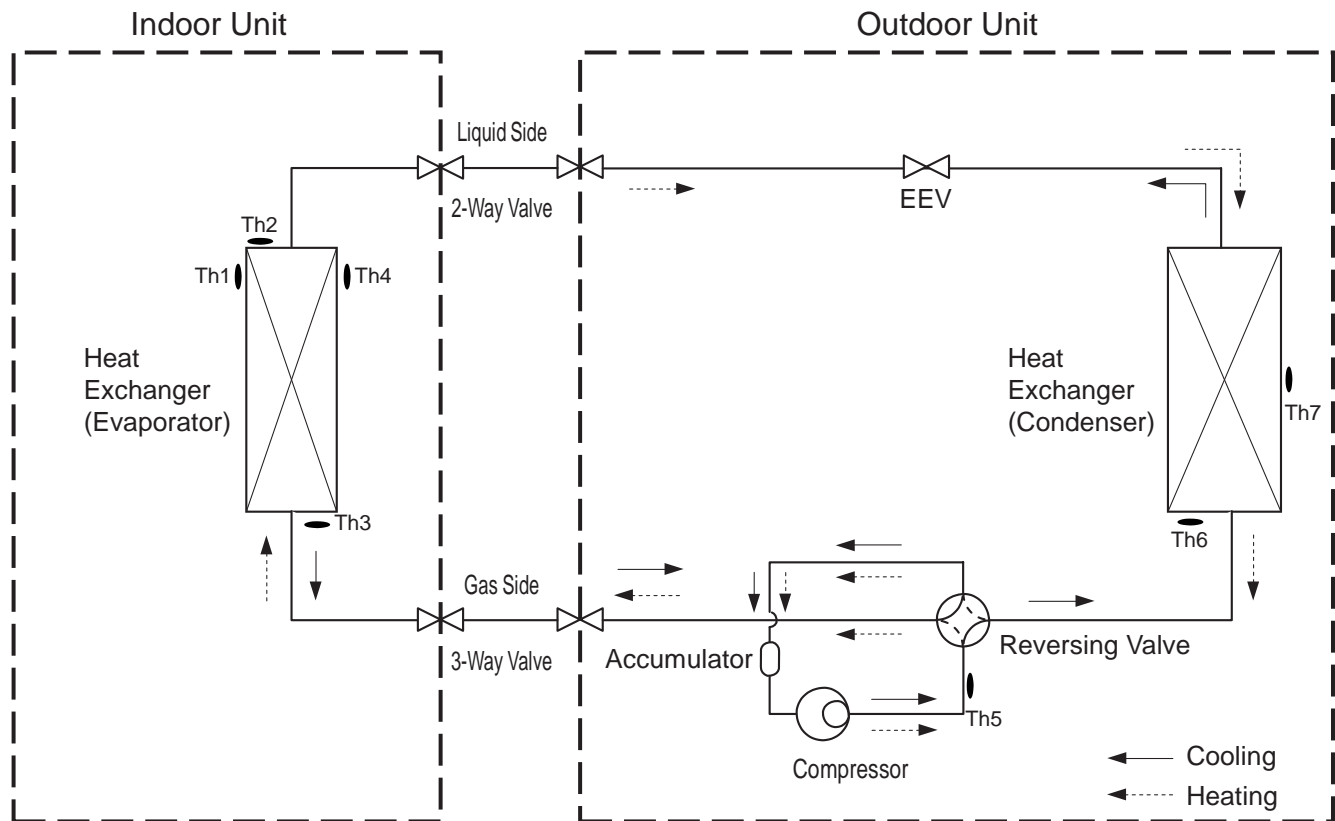
* For circuit breaker rating, please conform to local standards wherever necessary.

* Some of functions are slightly different depending upon models.

* The specification may be subject to change without notice for purpose of improvement.

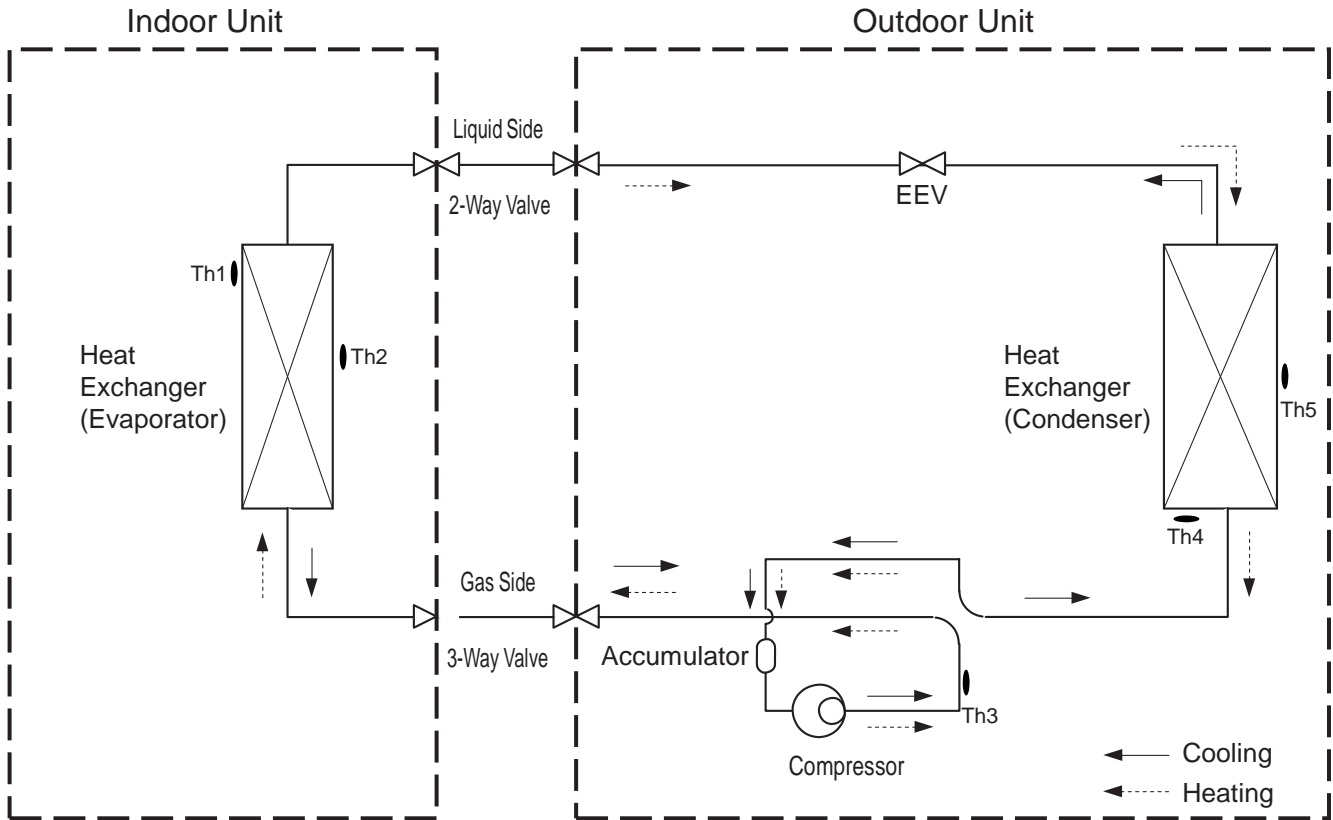
2. Piping Diagrams

Model : M09YJ / M12YJ



LOC.	Description	PCB Connector
Th1	Thermistor for suction air temperature	CN-TH1(Indoor)
Th2	Thermistor for evaporator inlet temperature	
Th3	Thermistor for evaporator outlet temperature	CN-TH2(Indoor)
Th4	Thermistor for evaporator middle temperature	CN-TH3(Indoor)
Th5	Thermistor for discharge pipe temperature	CN-TH2(OUTDOOR)
Th6	Thermistor for condensing temperature	CN-TH1(OUTDOOR)
Th7	Thermistor for outdoor air temperature	

Model : M09CJ / M12CJ



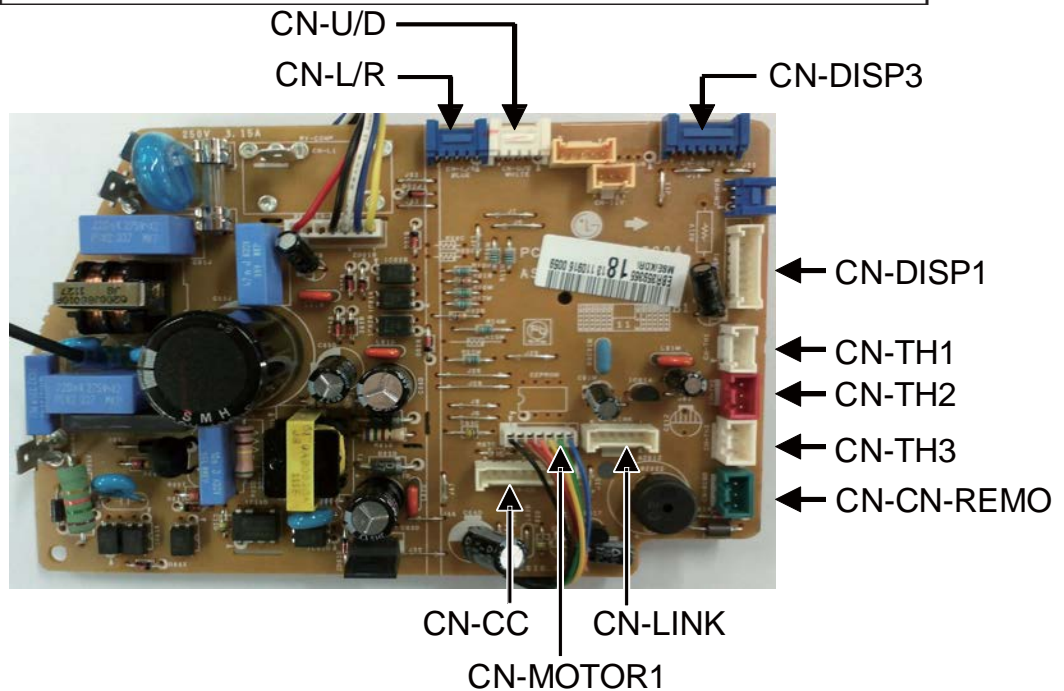
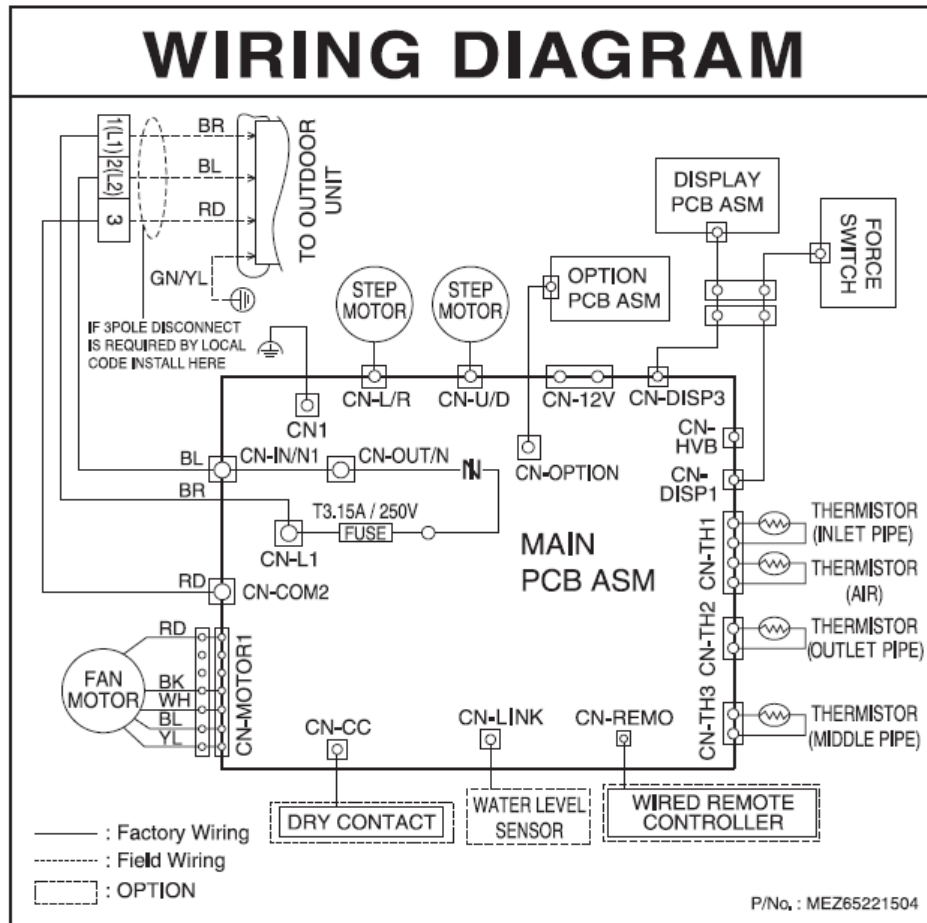
LOC.	Description	PCB Connector
Th1	Thermistor for suction air temperature	CN-TH1(Indoor)
Th2	Thermistor for evaporator middle temperature	CN-TH3(Indoor)
Th3	Thermistor for discharge pipe temperature	CN-TH2(OUTDOOR)
Th4	Thermistor for condensing temperature	CN-TH1(OUTDOOR)
Th5	Thermistor for outdoor air temperature	CN-TH1(OUTDOOR)

※ EEV : Electronic Expansion Valve

3. Wiring Diagrams

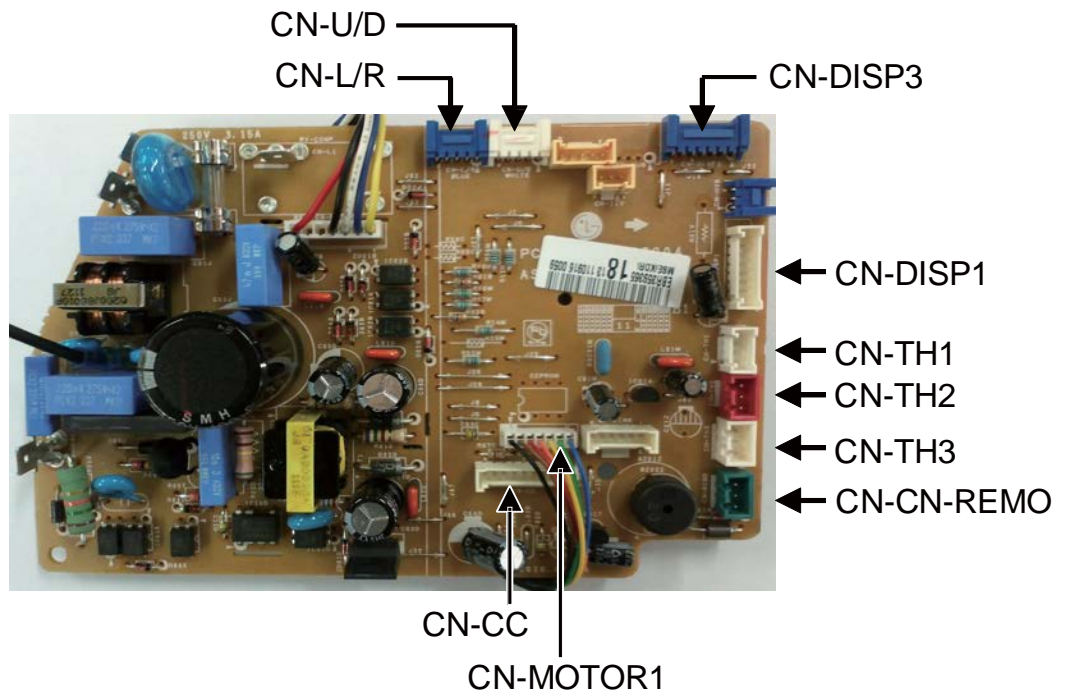
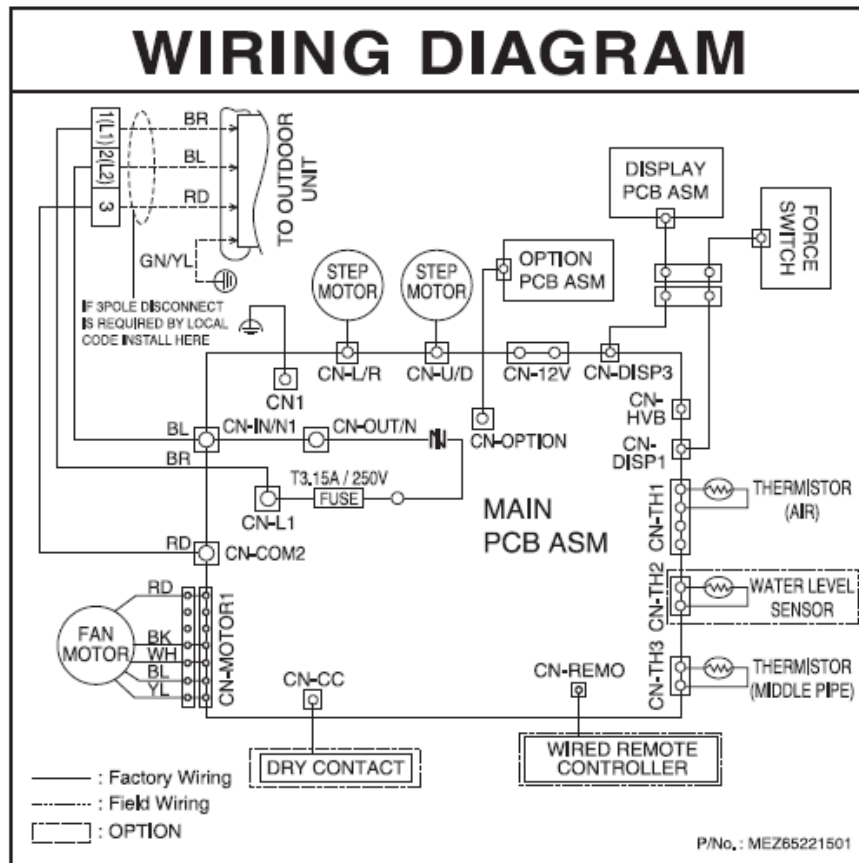
Indoor Unit

Model : MW09Y3J / MW12Y3J



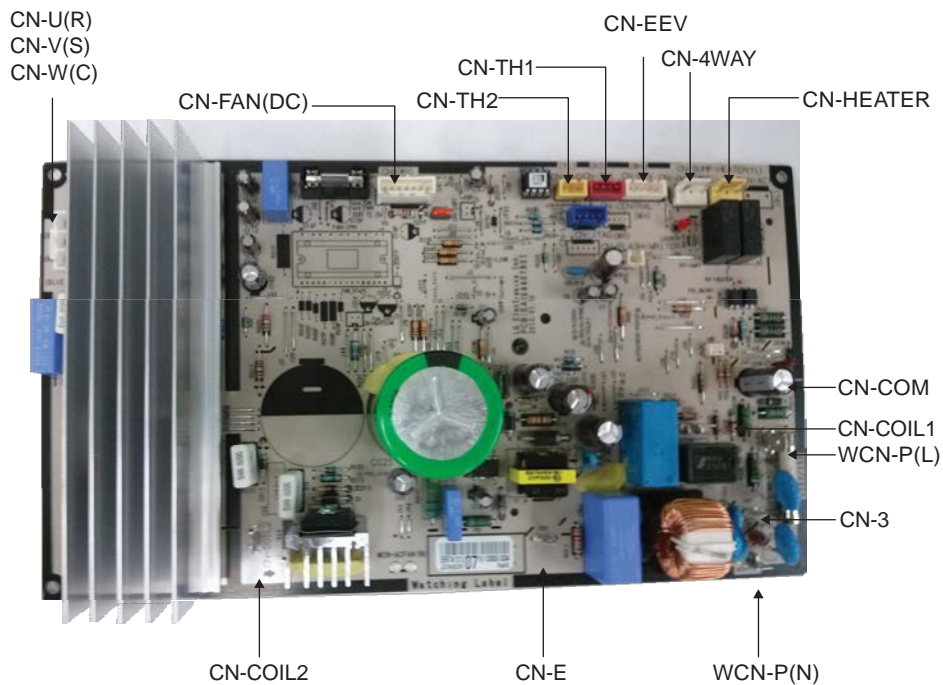
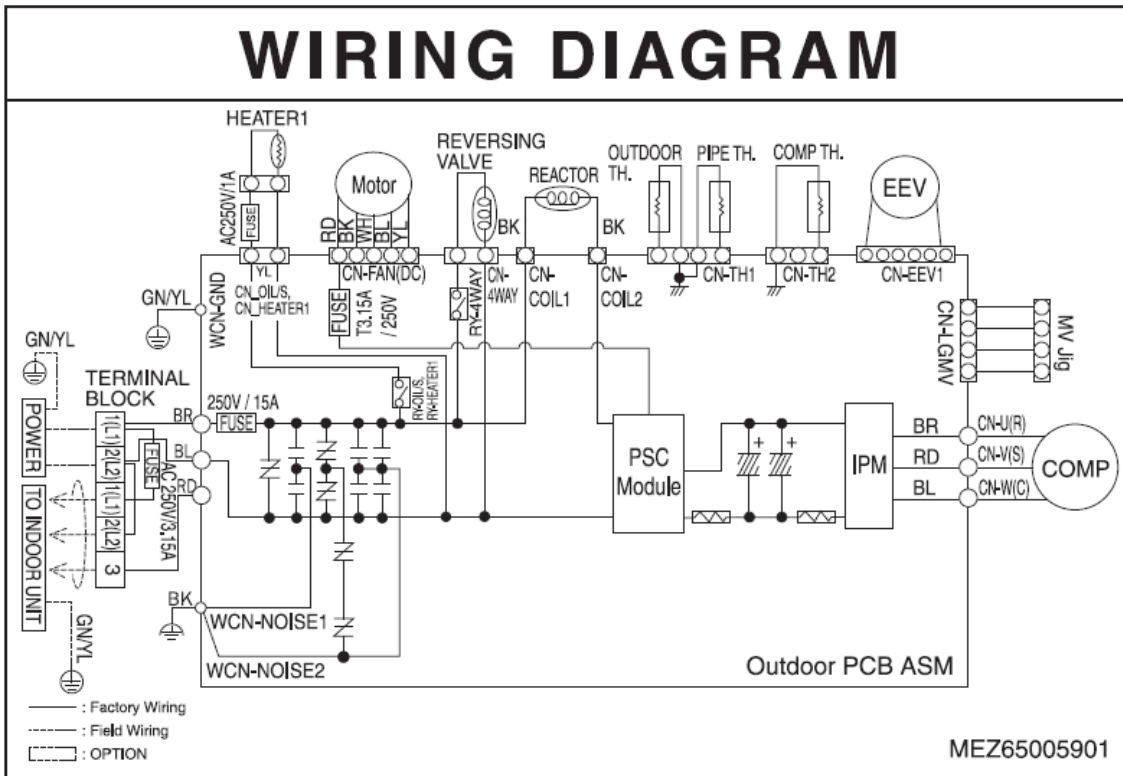
Indoor Unit

Model : MW09C1J / MW12C1J



Outdoor Unit

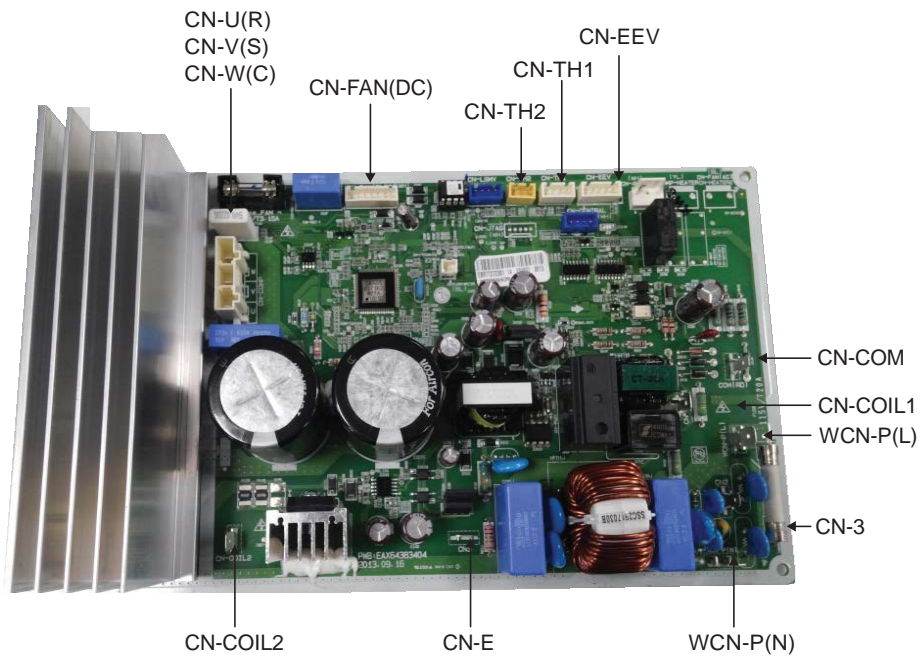
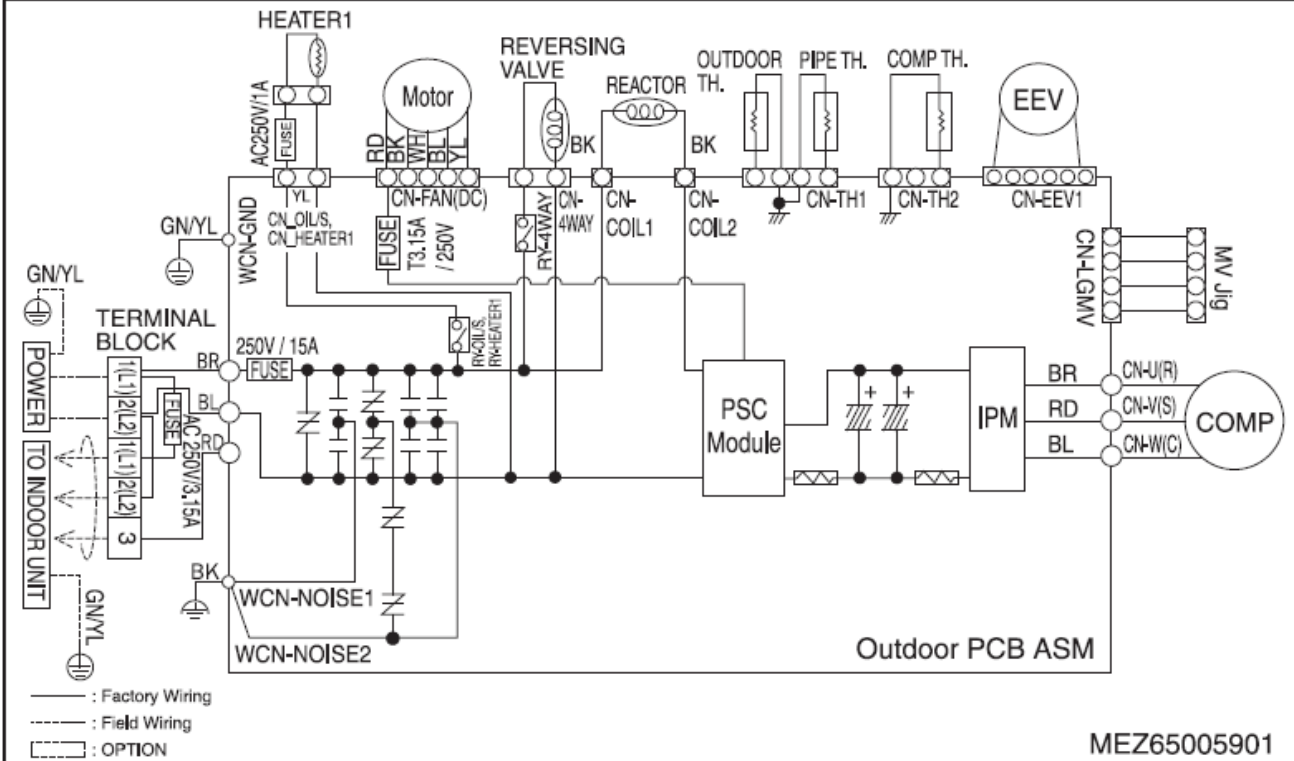
Model : MR09Y3J / MR12Y3J



Outdoor Unit

Model : MR09C1J / MR12C1J

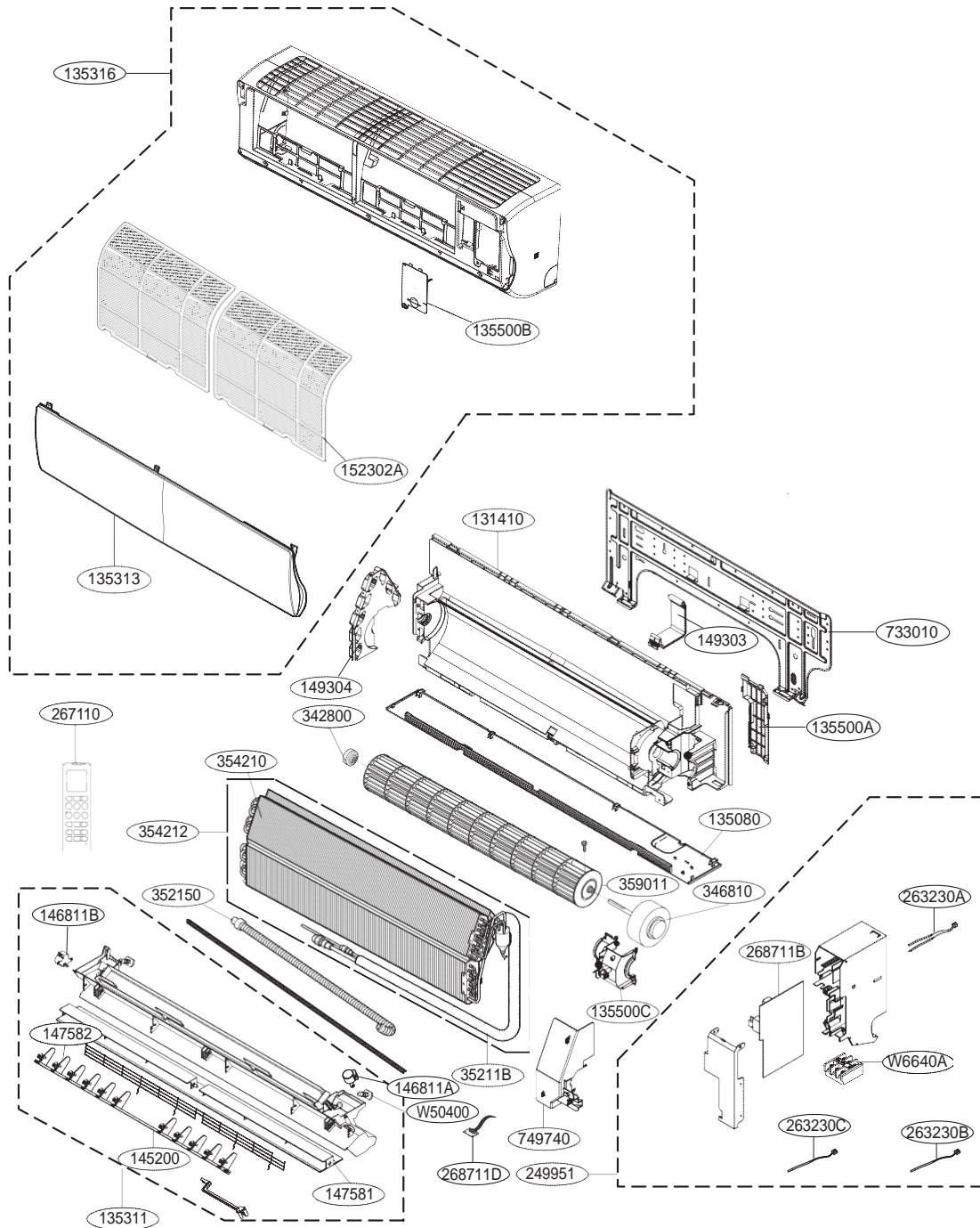
WIRING DIAGRAM



Exploded View

Indoor Unit

Model: MW09Y3J / MW12Y3J



LOC	Description
263230A	Thermistor for suction air temperature
263230B	Thermistor for evaporator inlet temperature
263230C	Thermistor for evaporator outlet temperature
263230C	Thermistor for evaporator middle temperature

Model: MW09Y3J

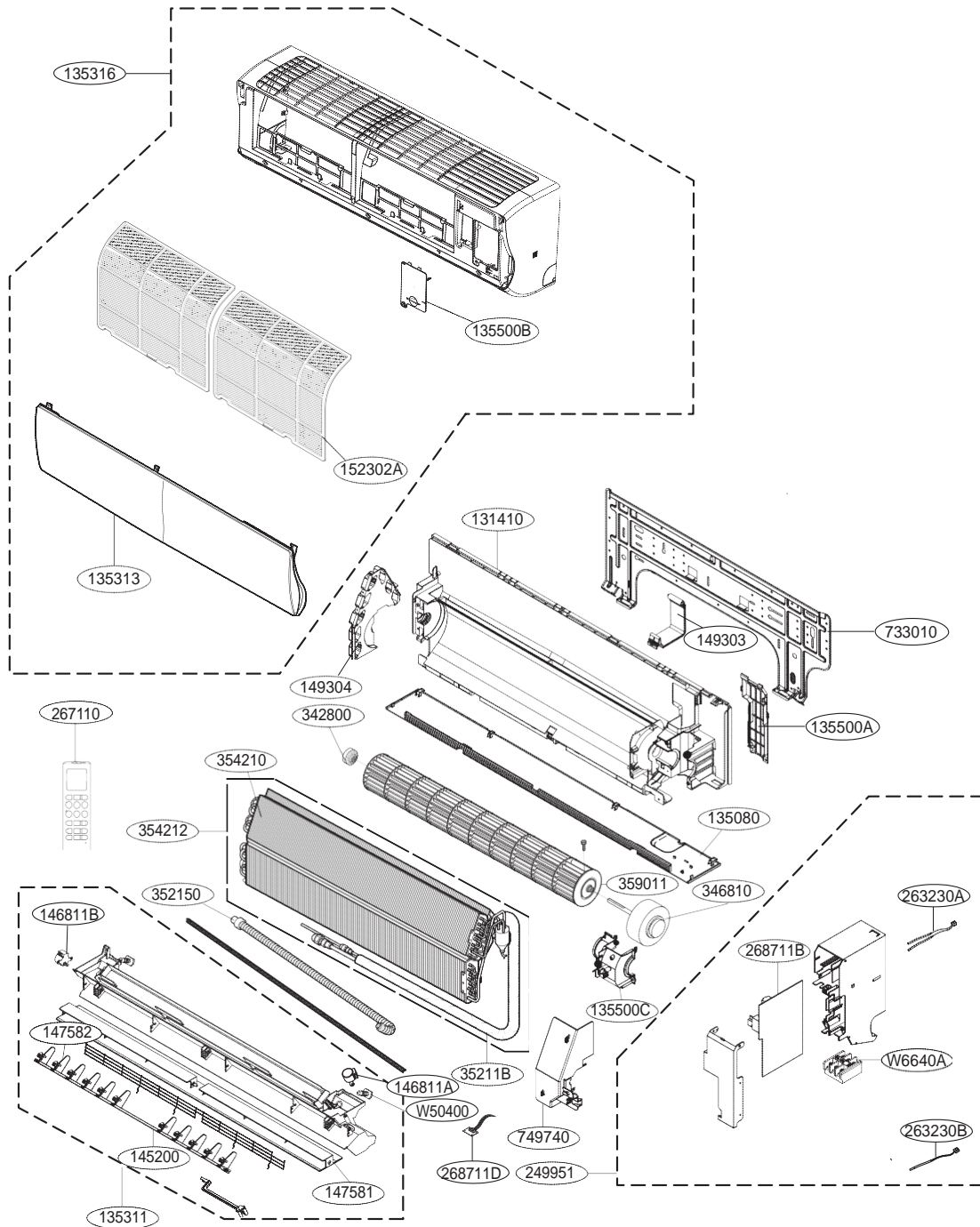
MW09Y3J			
Loc No.	P/N_FRD	Description	Qty
131410	67601005	Chassis Assy	1
149303	67602708	Holder Tubing	1
346810	67603336	Motor Assy DC Indoor	1
135500C	67601516	Cover	1
359011	67602121	Fan Assy Cross Flow	1
342800	67606700	Bearing	1
149304	67602709	Holder Evaporator	1
354212	67602018	Evaporator Assy Final	1
354210	67602019	Evaporator Assy First	1
35211B	67605006	Tube Assy Tubing	1
249951	67600931	Case Assy Control(Indoor)	1
W6640A	67601403	Connector Terminal Block	1
268711B	67603934	PCB Assy Main	1
263230C	67604830	Thermistor Assy NTC	1
263230B	67604831	Thermistor Assy NTC	1
263230A	67604832	Thermistor Assy NTC	1
268711D	67603935	PCB Assy Option	1
135311	67602525	Grille Assy Discharge(Indoor)	1
147581	67603207	Louver Horizontal	1
147582	67603208	Louver Vertical	11
146811A	67603319	Motor Assy DC Stepping	1
146811B	67603321	Motor Assy DC Stepping	1
W50400	67601700	Damper	1
145200	67603004	Link	1
749740	67607200	Guide	1
135500A	67601517	Cover	1
733010	67604003	Plate Assy Installation	1
135316	67602526	Grille Assy Front(Indoor)	1
135313	67603844	Panel Front	1
135500B	67601518	Cover	1
152302	67602214	Filter Air	2
135080	67601805	Decor	1
352150	67602808	Hose Assy Drain	1
267110	67604308	Remote Controller Assy	1

Model: MW12Y3J

MW12Y3J			
L/N	P/N_FRD	Description	Qty
131410	67601005	Chassis Assembly	1
149303	67602708	Holder,Tubing	1
346810	67603336	Motor Assembly,DC,Indoor	1
135500C	67601516	Cover	1
359011	67602121	Fan Assembly,Cross Flow	1
342800	67606700	Bearing	1
149304	67602709	Holder,Evaporator	1
354212	67602018	Evaporator Assembly,Final	1
354210	67602019	Evaporator Assembly,First	1
35211B	67605006	Tube Assembly,Tubing	1
249951	67600932	Case Assembly,Control(Indoor)	1
W6640A	67601403	Connector,Terminal Block	1
268711B	67603934	PCB Assembly,Main	1
263230C	67604830	Thermistor Assembly,NTC	1
263230B	67604831	Thermistor Assembly,NTC	1
263230A	67604832	Thermistor Assembly,NTC	1
268711D	67603937	PCB Assembly,Option	1
135311	67602525	Grille Assembly,Discharge(Indoor)	1
147581	67603207	Louver,Horizontal	1
147582	67603208	Louver,Vertical	11
146811A	67603319	Motor Assembly,DC,Stepping	1
146811B	67603321	Motor Assembly,DC,Stepping	1
W50400	67601700	Damper	1
145200	67603004	Link	1
749740	67607200	Guide	1
135500A	67601517	Cover	1
733010	67604003	Plate Assembly,Installation	1
135316	67602526	Grille Assembly,Front(Indoor)	1
135313	67603844	Panel,Front	1
135500B	67601518	Cover	1
152302	67602214	Filter,Air	2
135080	67601805	Decor	1
352150	67602808	Hose Assembly,Drain	1
267110	67604308	Remote Controller Assembly	1

Indoor Unit

Model: MW09C1J / MW12C1J



LOC.	Description
263230A	Thermistor for suction air temperature
263230B	Thermistor for evaporator middle temperature

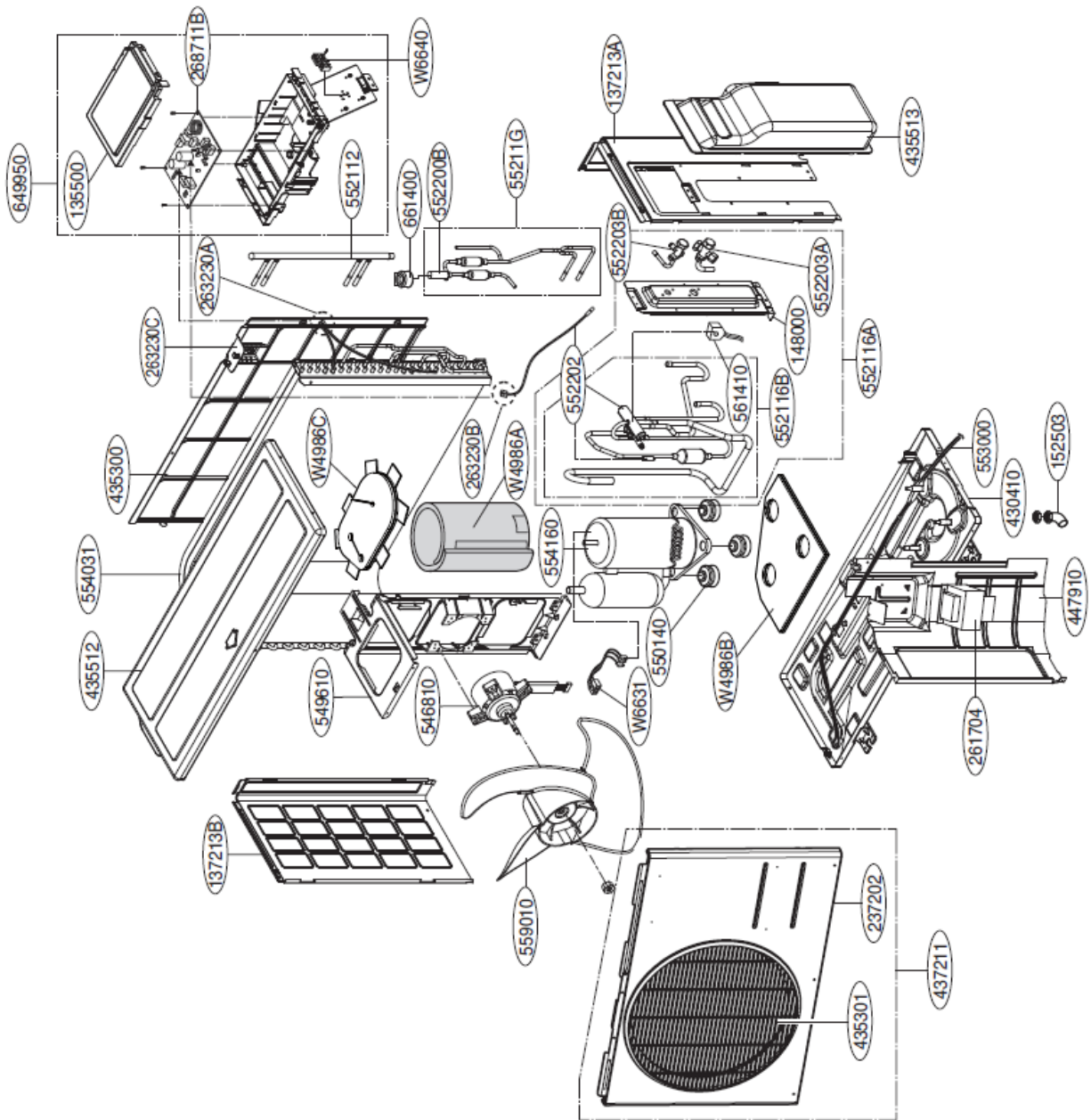
Model: MW09C1J

MW09C1J			
Loc No.	P/N_FRD	Description	Qty
131410	67601005	Chassis Assy	1
149303	67602708	Holder Tubing	1
346810	67603336	Motor Assy DC Indoor	1
135500C	67601516	Cover	1
359011	64302121	Fan Assy Cross Flow	1
342800	67606700	Bearing	1
149304	67602709	Holder Evaporator	1
354212	67602018	Evaporator Assy Final	1
354210	67602019	Evaporator Assy First	1
35211B	67605006	Tube Assy Tubing	1
249951	67600933	Case Assy Control(Indoor)	1
W6640A	67601403	Connector Terminal Block	1
268711B	67603939	PCB Assy Main	1
263230B	67604830	Thermistor Assy NTC	1
263230A	67604808	Thermistor Assy NTC	1
268711D	67603940	PCB Assy Option	1
135311	67602525	Grille Assy Discharge(Indoor)	1
147581	67603207	Louver Horizontal	1
147582	67603208	Louver Vertical	11
146811A	67603319	Motor Assy DC Stepping	1
146811B	67603321	Motor Assy DC Stepping	1
W50400	67601700	Damper	1
145200	67603004	Link	1
749740	67607200	Guide	1
135500A	67601517	Cover	1
733010	67604003	Plate Assy Installation	1
135316	67602526	Grille Assy Front(Indoor)	1
135313	67603844	Panel Front	1
135500B	67601818	Cover	1
152302	67602214	Filter Air	2
135080	67601805	Decor	1
352150	67602808	Hose Assy Drain	1
267110	67604308	Remote Controller Assy	1

Model: MW12C1J

MW12C1J			
Loc No.	P/N_FRD	Description	Qty
131410	67601005	Chassis Assy	1
149303	67602708	Holder Tubing	1
346810	67603336	Motor Assy DC Indoor	1
135500C	67601516	Cover	1
359011	67602121	Fan Assy Cross Flow	1
342800	67606700	Bearing	1
149304	67602709	Holder Evaporator	1
354212	67602018	Evaporator Assy Final	1
354210	67602019	Evaporator Assy First	1
35211B	67605006	Tube Assy Tubing	1
249951	67600935	Case Assy Control(Indoor)	1
W6640A	67601403	Connector Terminal Block	1
268711B	67603939	PCB Assy Main	1
263230C	67604830	Thermistor Assy NTC	1
263230B	67604832	Thermistor Assy NTC	1
268711D	67603942	PCB Assy Option	1
135311	67602525	Grille Assy Discharge(Indoor)	1
147581	67603207	Louver Horizontal	1
147582	67603208	Louver Vertical	11
146811A	67603319	Motor Assy DC Stepping	1
146811B	67603321	Motor Assy DC Stepping	1
W50400	67601700	Damper	1
145200	67603004	Link	1
749740	67607200	Guide	1
135500A	67601517	Cover	1
733010	67604003	Plate Assy Installation	1
135316	67602526	Grille Assy Front(Indoor)	1
135313	67603844	Panel Front	1
135500B	67601518	Cover	1
152302	67602214	Filter Air	2
135080	67601805	Decor	1
352150	67602808	Hose Assy Drain	1
267110	67604308	Remote Controller Assy	1

Outdoor Unit
Model: MR09Y3J / MR12Y3J



LOC	Description
263230A	Thermistor for suction air temperature
	Thermistor for condenser inlet temperature
263230B	Thermistor for condenser outlet temperature

Model: MR09Y3J

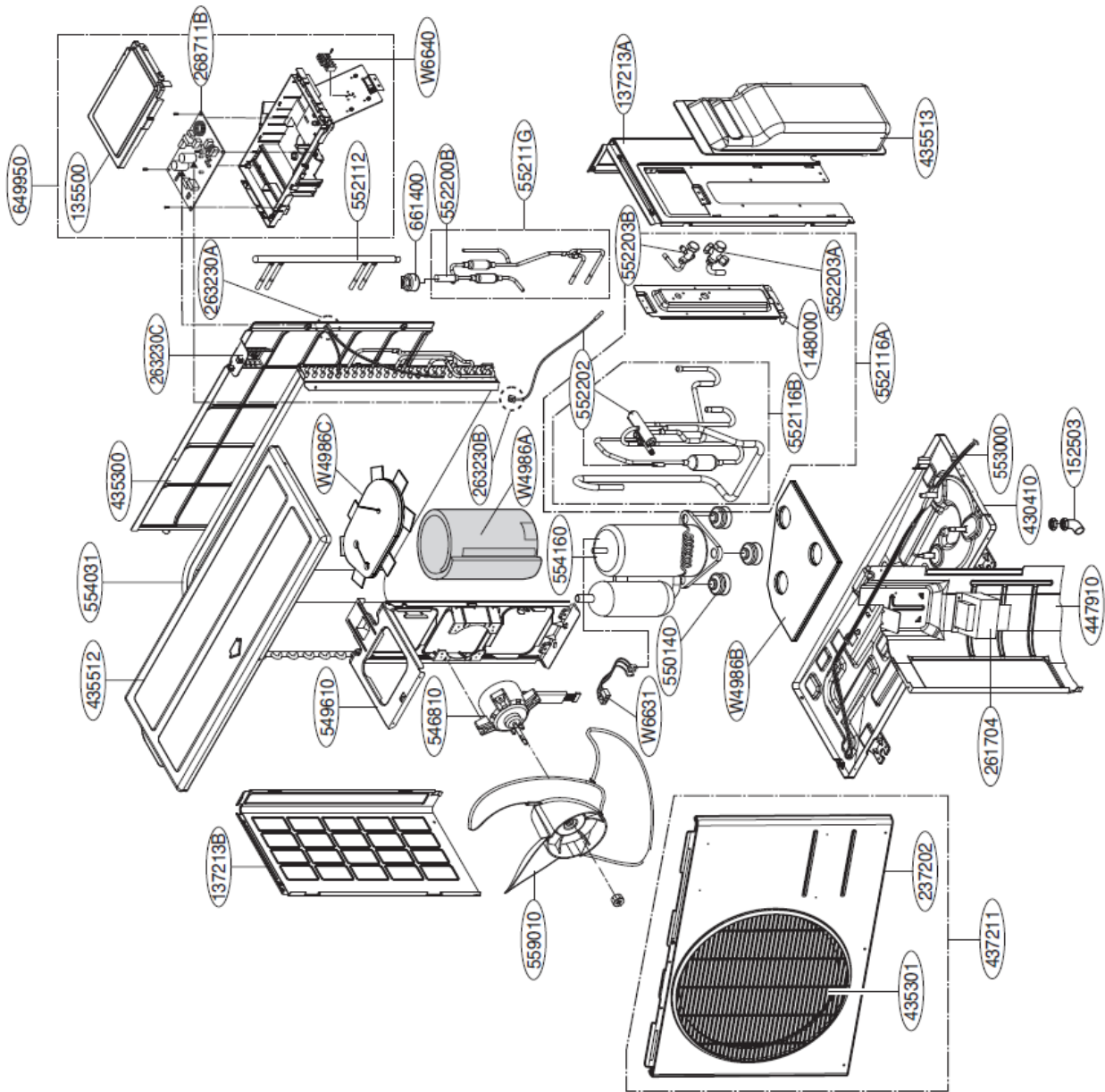
MR09Y3J			
Loc No.	P/N_FRD	Description	Qty
437211	67603845	Panel Assy Front(Outdoor)	1
237202	67603846	Panel Front	1
435301	67602527	Grille Discharge	1
435512	67601618	Cover Assy Top(Outdoor)	1
554031	67601312	Condenser Assy Bending	1
549610	67600718	Bracket Assy Motor(Outdoor)	1
546810	67603316	Motor Assy DC Outdoor	1
559010	67602122	Fan Assy Propeller	1
137213B	67603847	Panel Assy Side	1
263230A	67604823	Thermistor Assy NTC	1
263230B	67604819	Thermistor Assy NTC	1
554160	67601206	Compressor Set China	1
W6631	67602607	Harness Multi	1
W4986A	67602404	Gasket	1
W4986B	67602406	Gasket	1
W4986C	67602405	Gasket	1
550140	67601702	Damper Compressor	3
261704	67604901	Transformer Reactor	1
447910	67600308	Barrier Assy Outdoor	1
430410	67600608	Base Assy Outdoor	1
152503	67603500	Nipple Drain	1
552116A	67606111	Tube Assy Reverse	1
561410	67601112	Solenoid	1
148000	67604613	Supporter	1
55211G	67605905	Tube Assy Expansion	1
552200B	67606300	Valve Expansion Body	1
661400	67601106	Coil Expansion	1
649950	67601008	Case Assy Control(Outdoor)	1
268711B	67603936	PCB Assy Main	1
W6640	67601412	Connector Terminal Block	1
135500	67601519	Cover	1
552203B	67606512	Valve Service	1
552203A	67606502	Valve Service	1
435513	67601619	Cover Assy Tubing	1
435300	67602528	Grille Rear	1
137213A	67603847	Panel Assy Side	1
552112	67605309	Tube Assy Condenser(In)	1
553000	67607300	Heater Sump	1
552116B	67606111	Tube Assy Reverse	1
552202	67606404	Valve Reverse	1
263230C	67604811	Thermistor Assy NTC	1

Model: MR12Y3J

MR12Y3J			
Loc No.	P/N_FRD	Description	Qty
437211	67603845	Panel Assembly,Front(Outdoor)	1
237202	67603846	Panel,Front	1
435301	67602527	Grille,Discharge	1
435512	67601618	Cover Assembly,Top(Outdoor)	1
554031	67601312	Condenser Assembly,Bending	1
549610	67600718	Bracket Assembly,Motor(Outdoor)	1
546810	67603316	Motor Assembly,DC,Outdoor	1
559010	67602122	Fan Assembly,Propeller	1
137213B	67603847	Panel Assembly,Side	1
263230A	67604823	Thermistor Assembly,NTC	1
263230B	67604819	Thermistor Assembly,NTC	1
554160	67601206	Compressor Set,China	1
W6631	67602607	Harness,Multi	1
W4986A	67602404	Gasket	1
W4986B	67602406	Gasket	1
W4986C	67602405	Gasket	1
550140	67601702	Damper,Compressor	3
261704	67604901	Transformer,Reactor	1
447910	67600308	Barrier Assembly,Outdoor	1
430410	67600608	Base Assembly,Outdoor	1
152503	67603500	Nipple,Drain	1
552116A	67606111	Tube Assembly,Reverse	1
561410	67601105	Solenoid	1
148000	67604613	Supporter	1
55211G	67605905	Tube Assembly,Expansion	1
552200B	67606300	Valve,Expansion Body	1
661400	67601106	Coil,Expansion	1
649950	67601006	Case Assembly,Control(Outdoor)	1
268711B	67603938	PCB Assembly,Main	1
W6640	67601412	Connector,Terminal Block	1
135500	67601519	Cover	1
552203B	67606512	Valve,Service	1
552203A	67606502	Valve,Service	1
435513	67601619	Cover Assembly,Tubing	1
435300	67602528	Grille,Rear	1
137213A	67603847	Panel Assembly,Side	1
552112	67605309	Tube Assembly,Condenser(In)	1
553000	67607300	Heater,Sump	1
552116B	67606111	Tube Assembly,Reverse	1
552202	67606404	Valve,Reverse	1
263230C	67604811	Thermistor Assembly,NTC	1

Outdoor Unit

Model: MR09C1J / MR12C1J



LOC	Description
263230A	Thermistor for suction air temperature
263230B	Thermistor for condenser inlet temperature
263230C	Thermistor for condenser outlet temperature

Model: MR09C1J

MR09C1J			
Loc No.	P/N_FRD	Description	Qty
437211	67603845	Panel Assy Front(Outdoor)	1
237202	67603846	Panel Front	1
435301	67602527	Grille Discharge	1
435512	67601618	Cover Assy Top(Outdoor)	1
554031	67601312	Condenser Assy Bending	1
549610	67600718	Bracket Assy Motor(Outdoor)	1
546810	67603316	Motor Assy DC Outdoor	1
559010	67602122	Fan Assy Propeller	1
137213B	67603847	Panel Assy Side	1
263230A	67604823	Thermistor Assy NTC	1
263230B	67604819	Thermistor Assy NTC	1
554160	67601206	Compressor Set China	1
W6631	67602607	Harness Multi	1
W4986A	67602404	Gasket	1
W4986B	67602406	Gasket	1
W4986C	67602405	Gasket	1
550140	67601702	Damper Compressor	3
261704	67604901	Transformer Reactor	1
447910	67600308	Barrier Assy Outdoor	1
430410	67600608	Base Assy Outdoor	1
152503	67603500	Nipple Drain	1
552116A	67606111	Tube Assy Reverse	1
148000	67604613	Supporter	1
55211G	67605905	Tube Assy Expansion	1
552200B	67606300	Valve Expansion Body	1
661400	67601106	Coil Expansion	1
649950	67600934	Case Assy Control(Outdoor)	1
268711B	67603941	PCB Assy Main	1
W6640	67601412	Connector Terminal Block	1
135500	67601519	Cover	1
552203B	67606512	Valve Service	1
552203A	67606502	Valve Service	1
435513	67601619	Cover Assy Tubing	1
435300	67602528	Grille Rear	1
137213A	67603847	Panel Assy Side	1
552112	67605309	Tube Assy Condenser(In)	1
553000	67607300	Heater Sump	1
552116B	67606111	Tube Assy Reverse	1
552202	67606404	Valve Reverse	1
263230C	67604811	Thermistor Assy NTC	1

Model: MR12C1J

MR12C1J			
Loc. No	P/N_FRD	Description	Qty
437211	67603845	Panel Assy Front(Outdoor)	1
237202	67606846	Panel Front	1
435301	67602527	Grille Discharge	1
435512	67601618	Cover Assy Top(Outdoor)	1
554031	67601312	Condenser Assy Bending	1
549610	67600718	Bracket Assy Motor(Outdoor)	1
546810	67603316	Motor Assy DC Outdoor	1
559010	67602122	Fan Assy Propeller	1
137213B	67603847	Panel Assy Side	1
263230A	67604823	Thermistor Assy NTC	1
263230B	67604819	Thermistor Assy NTC	1
554160	67601206	Compressor Set China	1
W6631	67602607	Harness Multi	1
W4986A	67602404	Gasket	1
W4986B	67602406	Gasket	1
W4986C	67602405	Gasket	1
550140	67601702	Damper Compressor	3
261704	67604901	Transformer Reactor	1
447910	67600308	Barrier Assy Outdoor	1
430410	67600608	Base Assy Outdoor	1
152503	67603500	Nipple Drain	1
552116A	67606111	Tube Assy Reverse	1
148000	67604613	Supporter	1
55211G	67605905	Tube Assy Expansion	1
552200B	67606300	Valve Expansion Body	1
661400	67601106	Coil Expansion	1
649950	67600936	Case Assy Control(Outdoor)	1
268711B	67603943	PCB Assy	1
W6640	67601412	Connector Terminal Block	1
135500	67601519	Cover	1
552203B	67606512	Valve Service	1
552203A	67606502	Valve Service	1
435513	67601619	Cover Assy Tubing	1
435300	67602528	Grille Rear	1
137213A	67603847	Panel Assy Side	1
552112	67605309	Tube Assy Condenser(In)	1
553000	67607300	Heater Sump	1
552116B	67606111	Tube Assy Reverse	1
552202	67606404	Valve Reverse	1
263230C	67604811	Thermistor Assy NTC	1



Friedrich Air Conditioning Co. | 10001 Reunion Place, Suite 500 | San Antonio, TX 78216 | 877.599.5665
www.friedrich.com