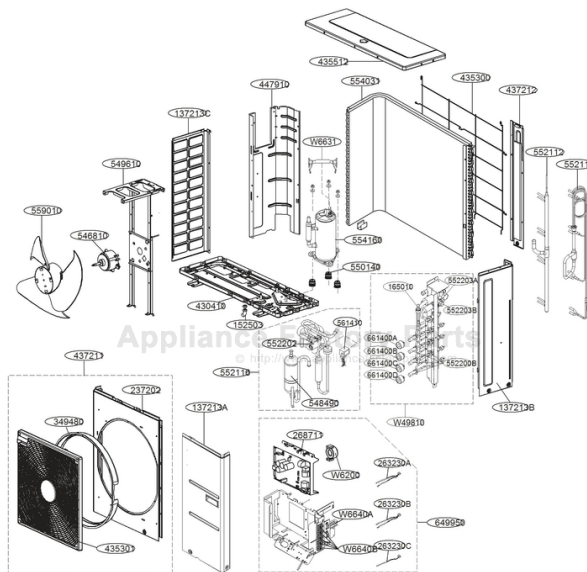


This Owner's Manual is provided and hosted by [Appliance Factory Parts](#).



# FRIEDRICH MR36TQY3JMA Owner's Manual

[Shop genuine replacement parts for FRIEDRICH  
MR36TQY3JMA](#)



[Find Your FRIEDRICH Air Cleaner Parts - Select From 41 Models](#)

----- Manual continues below -----



**FRIEDRICH**

1883

# ENGINEERING PRODUCT DATA BOOK

**MULTI ZONE**

Wall-mounted  
Ceiling cassette  
Concealed duct



THE EXPERTS IN ROOM AIR CONDITIONING

960-942-06

# MULTI ZONE

## CONTENTS

**Part 1 General information**

**Part 2 Product data**

**Part 3 Design and installation**

**Part 4 Special parts**

## Step by step MULTI ZONE system selection process (reference)

(1) Calculate or obtain the maximum heat load for the area(s) to be air conditioned



(2) Indoor unit specifications  
Outdoor unit specifications  
Capacity coefficient factor  
Air flow and temperature distributions



(3) Selection of BB unit and branch



(4) Selection of the control system  
Control wiring method  
Description of devices



(5) Electrical wiring  
Electrical characteristics  
Field wiring

**CAUTION**

1. Air conditioners should not be installed in areas where corrosive gases, such as acid gas or alkaline gas, are produced.
2. If the outdoor unit is installed close to the sea shore, direct exposure to the sea breeze should be avoided and choose an outdoor unit with anti-corrosion treatment.

# **MULTI ZONE**




## **Part 1 General information**

- 1. Model line up**
- 2. Nomenclature**
- 3. Combination**
- 4. Individual Control System**

# MULTI ZONE

## 1. Model line up

### 1.1 Indoor units



Category		External Appearance	Model names		
			Capacity (kBtu/h Class)		
			9	12	18
Wall mounted			MW09Y3J	MW12Y3J	
					MW18Y3J
Ceiling cassette	4-way			MC12Y3JM	
					MC18Y3JM
Ceiling concealed duct	Low static pressure		MD09Y3JM		
				MD12Y3JMA	MD18Y3JMA

# MULTI ZONE

## 1. Model line up

### 1.2 Outdoor units

#### Multiple Piping Type

Model Name	MR24DY3JMA	MR36TQY3JMA
No. of connectable indoor units (Min. ~ Max.)	2 ~ 3	2 ~ 4
Total capacity index of connectable indoor units	36	48
Power supply	208/230V, 1Ø, 60Hz	
External Appearance		

#### Branch Distribution type

Model Name	MR48DEY3JM
No. of connectable indoor units (Min. ~ Max.)	2~8
Total capacity index of connectable indoor units	65
Power supply	208/230V, 1Ø, 60Hz
External Appearance	

# MULTI ZONE

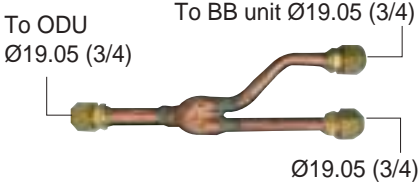
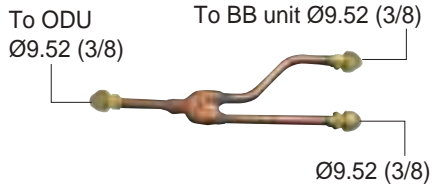
## 1. Model line up

### 1.3 Accessory for Branch Distribution type Outdoor units

#### BB (Branch Box) unit

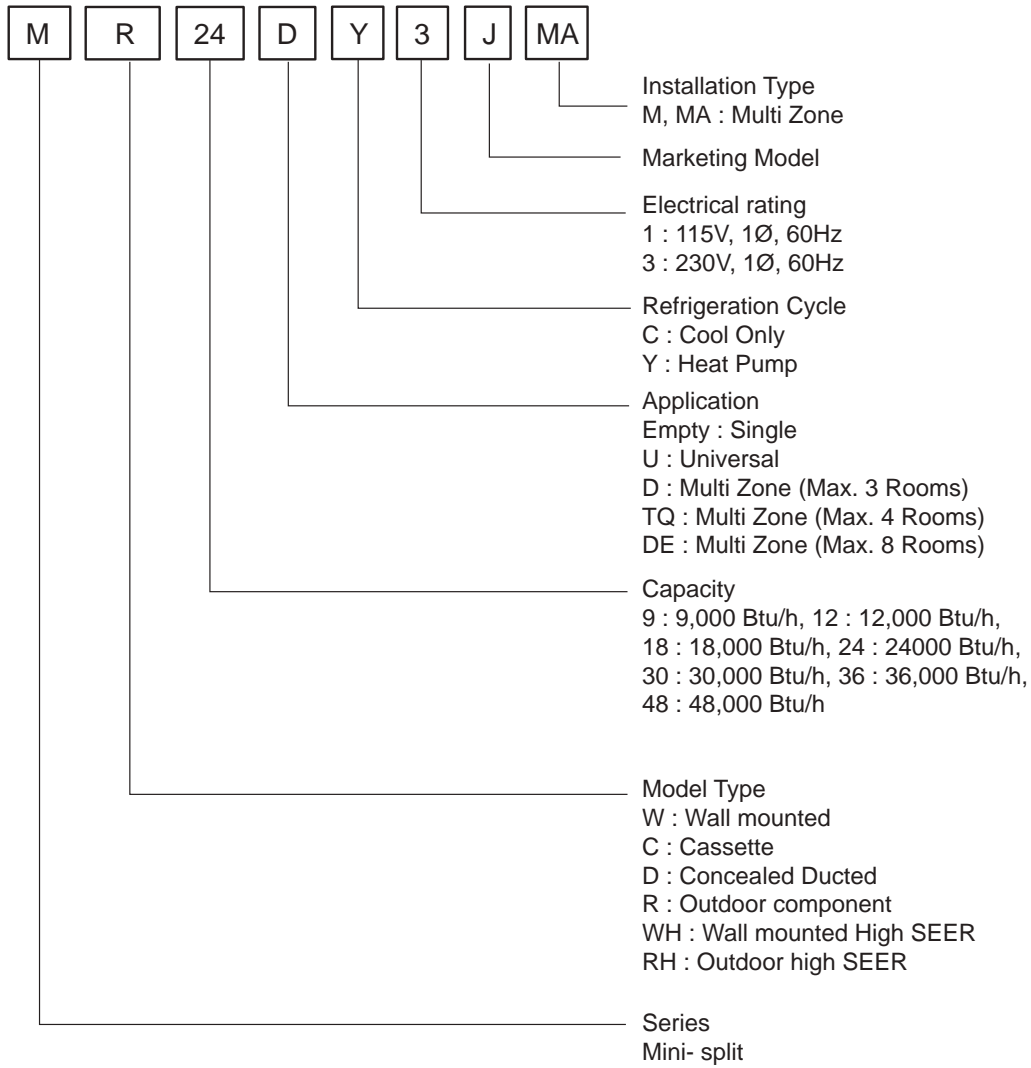
No. of connectable indoor units(Min. ~ Max.)	1 ~ 4	
Model name	D4PBB	
Connectable indoor unit capacity	kBtu/h	9 ~ 24
External Appearance		

#### Branches

Branch Type	No. of BB Units	Accessory Model Name	Specifications	
			Gas	Liquid
External Appearance	2	DYBK	<p>To ODU Ø19.05 (3/4)</p>  <p>Ø19.05 (3/4)</p>	<p>To ODU Ø9.52 (3/8)</p>  <p>Ø9.52 (3/8)</p>

# MULTI ZONE

## 2. Nomenclature



## 3. Combination

### 3.1 Selection procedure

#### Outdoor units selection

In general, an outdoor unit may be selected as follows, though the location of the unit, and usage of the room, etc. should be considered. The combination of indoor and outdoor units should be determined so that the sum of indoor unit capacity index is smaller than the max. combination capacity of the outdoor unit. Up to max.8 indoor units can be connected to one outdoor unit. It is recommended to choose a large capacity outdoor unit if the installation space is large enough.

Model name		Heat pump		
		MR24DY3JMA	MR36TQY3JMA	MR48DEY3JM
Capacity (Btu/h)	Cooling	20,000	32,000	48,000
	Heating	24,000	36,000	54,000
Connectable indoor units	Maximum No. of connectable indoor units	3	4	8
	Max. capacity index of connectable indoor units	36	48	65

#### Indoor units selection

Look up the table on combination of indoor and outdoor units, and determine the appropriate indoor unit capacity which satisfies the given thermal load.

For proper system operation, refer to the following:

- 1) At least 2 indoor units should be connected to outdoor unit.
- 2) Total capacity of indoor units connected should be minimum 40% of outdoor unit above mentioned capacity.
- 3) Calculation method for total capacity index = sum up the capacity index of connected indoor units.

Unit Capacity(kBtu/h Class)	9	12	18
Capacity Index	9	12	18

# MULTI ZONE

## 3. Combination

### 3.2 Combination of indoor and outdoor unit

The total capacity index of indoor units is the sum of capacity index of each unit and should be within the capacity index of the outdoor unit.

Indoor units			Outdoor units		
			MR24DY3JMA	MR36TQY3JMA	MR48DEY3JM
Model type	Capacity*		Maximum No. of connectable indoor units		
	Index	Btu/h Class	3	4	8
Wall mounted	9	9,000	○	○	○
	12	12,000	○	○	○
	18	18,000	○	○	○
Ceiling cassette 4-way	12	12,000	○	○	○
	18	18,000	○	○	○
Ceiling Concealed Duct-Low static	9	9,000	○	○	○
	12	12,000	○	○	○
	18	18,000	○	○	○

Note:



- \* For more capacity information, refer to the combination tables.
- The combination of indoor and outdoor units should be determined so that the sum of indoor unit capacity index is smaller than the max. combination capacity of the outdoor unit. Refer to the combination table.
- At least two indoor units should be connected.

# MULTI ZONE

## 4. Individual Control System

### 4.1 Control system(standard)

These controllers will be provided with the respective indoor units.

Type	Individual controller	Applicable model
Simple Wired remote controller		Ceiling Concealed Duct (Low Static)
Wireless remote controller		Wall mounted Ceiling Cassette

# MULTI ZONE

## Part 2 Product data

- Indoor units
- Outdoor units

# MULTI ZONE

## ■ Indoor units

1. Wall Mounted
2. Ceiling cassette 4-way
3. Ceiling concealed duct - Low static pressure

# MULTI ZONE

## **Wall Mounted**

- 1. List of functions**
- 2. Specifications**
- 3. Dimensions**
- 4. Piping diagrams**
- 5. Wiring Diagrams**
- 6. Capacity Tables**
- 7. Air flow and temperature distributions (reference data)**
- 8. Sound levels**
- 9. Controller**
- 10. Installation**

# MULTI ZONE

## 1. List of functions

Category	Functions	MW09Y3J MW12Y3J MW18Y3J
Air flow	Air supply outlet	1
	Airflow direction control (left & right)	Auto
	Airflow direction control (up & down)	Auto
	Auto swing (left & right)	O
	Auto swing (up & down)	O
	Airflow steps (fan/cool/heat)	6 / 6 / 6
	Chaos wind(auto wind)	O
	Surge (cool/heat)	O / O
	Swirl wind	X
Air purifying	Triple filter (Deodorizing)	X
	Plasma air purifier	X
	Allergy Safe filter	X
	Long-life prefilter (washable / anti-fungus)	O
Installation	Drain pump	X
	E.S.P. control	X
	Electric heater	X
	High ceiling operation	X
	Auto Elevation Grille	X
Reliability	Hot start	O
	Self diagnosis	O
	Soft dry operation	O
Convenience	Auto changeover	X
	Auto cleaning	O
	Auto operation(artificial intelligence)	O
	Auto Restart	O
	Child lock*	O
	Forced operation	O
	Group control*	O
	Sleep mode	O
	Timer(on/off)	O
	Timer(weekly)*	O
Two thermistor control*	O	
Individual controller	Wired remote controller	DWC1
	Deluxe wired remote controller	X
	Simple wired remote controller	X
	Simple Wired remote controller(for hotel use)	X
	Wireless remote controller	O
Network Solution	Dry contact	X
	PI 485(for Indoor Unit)	X
Special function kit	Zone controller	X
	CTI(Communication transfer interface)	X
	Electronic thermostat	X
Others	Remote temperature sensor	X
	Group control wire	X
	Telecom shelter controller	X
	Connector for water level sensor	O

**Note :**

1. \* : These functions need to connect the wired remote controller.

O : Applied, X : Not applied

Accessory model name : Installed at field, ordered and purchased separately by the corresponding model name, supplied with separate package.

# MULTI ZONE

## 2. Specifications

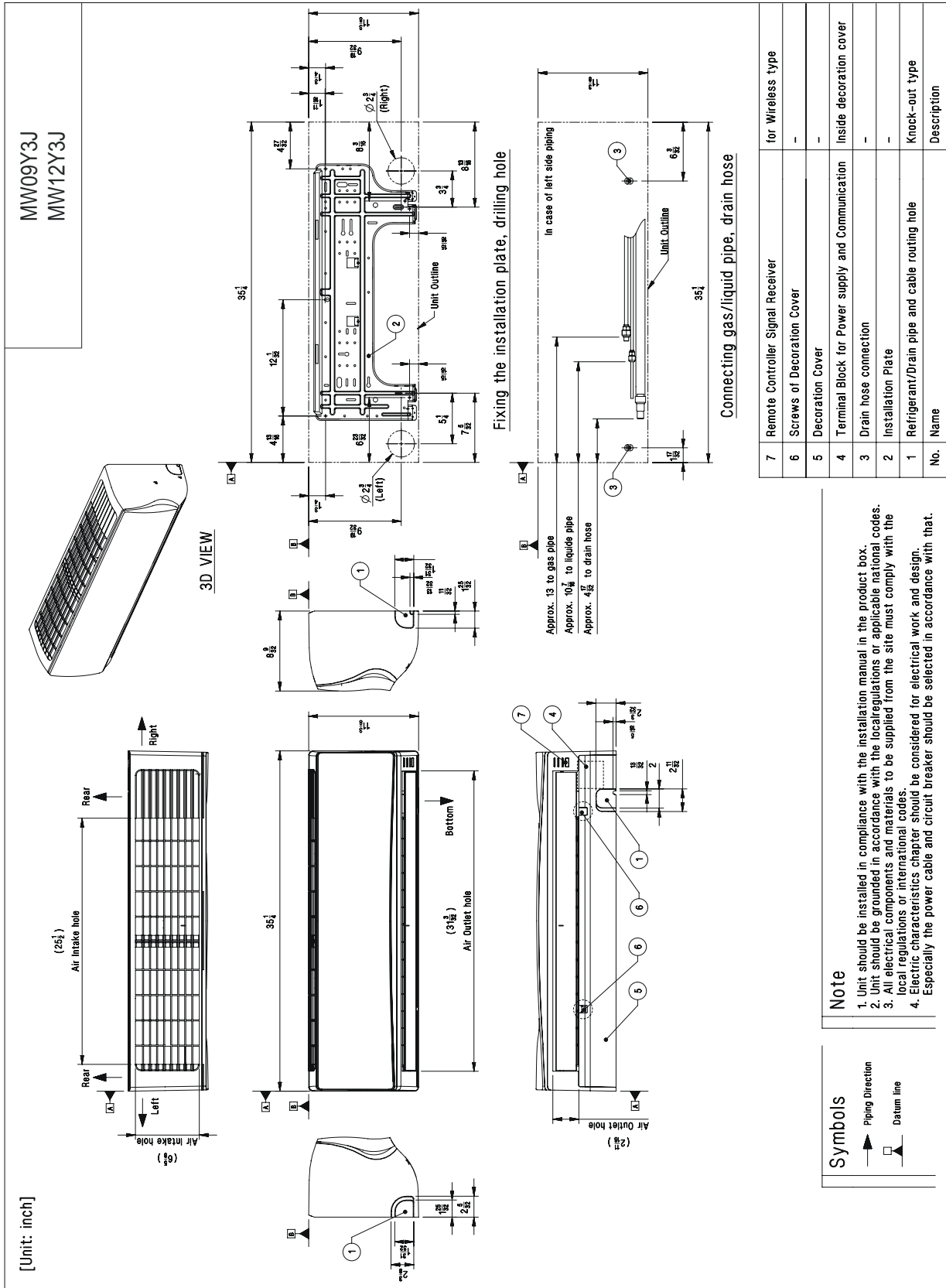
Model Name			MW09Y3J	MW12Y3J	MW18Y3J	
Power Supply			V, Ø, Hz	208/230, 1, 60	208/230, 1, 60	208/230, 1, 60
Capacity	Cooling	Nominal	Btu/h	9,000	12,000	18,000
	Heating	Nominal	Btu/h	10,400	13,800	20,800
Casing Color			-	White	White	White
Dimensions	Body	W x H x D	mm	895 x 289 x 210	895 x 289 x 210	1,030 x 325 x 250
		W x H x D	inch	35-1/4 x 11-3/8 x 8-9/32	35-1/4 x 11-3/8 x 8-9/32	40-9/16 x 12-25/32 x 9-27/32
Net Weight	Body		kg (lbs)	10.0 (22.1)	10.0 (22.1)	14.5 (32.0)
Heat Exchanger	(Row x Column x Fins per inch) x No.		-	(2 x 16 x 23) x 1	(2 x 16 x 23) x 1	(3 x 18 x 22) x 1
	Face Area		m <sup>2</sup> (ft <sup>2</sup> )	0.22 (2.37)	0.22 (2.37)	0.29 (3.07)
Fan	Type		-	Cross Flow Fan	Cross Flow Fan	Cross Flow Fan
	Air Flow Rate	H / M / L	CMM	7.0 / 6.5 / 6.0	9.5 / 9.0 / 8.5	16.2 / 14.2 / 12.3
		H / M / L	CFM	247 / 230 / 212	335 / 318 / 300	572 / 501 / 434
Fan Motor	Type		-	BLDC	BLDC	BLDC
	Output		W x No.	14.4 x 1	14.4 x 1	76.0 x 1
	Running Current		A	0.20	0.20	0.30
Sound Pressure Level		H / M / L	dB(A)	33 / 30 / 27	39 / 36 / 31	37 / 33 / 28
Piping Connections	Liquid		mm(inch)	6.35 (1/4)	6.35 (1/4)	6.35 (1/4)
	Gas		mm(inch)	9.52 (3/8)	9.52 (3/8)	12.7 (1/2)
	Drain (O.D. / I.D.)		mm(inch)	21.5(27/32) / 16.0(5/8)	21.5(27/32) / 16.0(5/8)	21.5(27/32) / 16.0(5/8)
Safety Devices			-	Fuse	Fuse	Fuse
			-	Thermal Protector for Fan Motor	Thermal Protector for Fan Motor	Thermal Protector for Fan Motor
Power and Communication Cable (included Earth)			No. x AWG	4C x 14 / 18	4C x 14 / 18	4C x 14 / 18

### Note :

1. Wiring cable size must comply with the applicable local and national code.
2. Due to our policy of innovation some specifications may be changed without notification.
3. Sound Level Values are measured at Anechoic chamber.  
Therefore, these values can be increased owing to ambient conditions during operation.
4. Acceptable operating voltage: 187V-253V

# MULTI ZONE

## 3. Dimensions



# MULTI ZONE

## 3. Dimensions

**3D View**

MW18Y3J

**Fixing the installation plate, drilling hole**

**Connecting gas/liquid pipe, drain hose**

**[Unit: inch]**

**Symbols**

- Piping Direction
- Datum line

**Note**

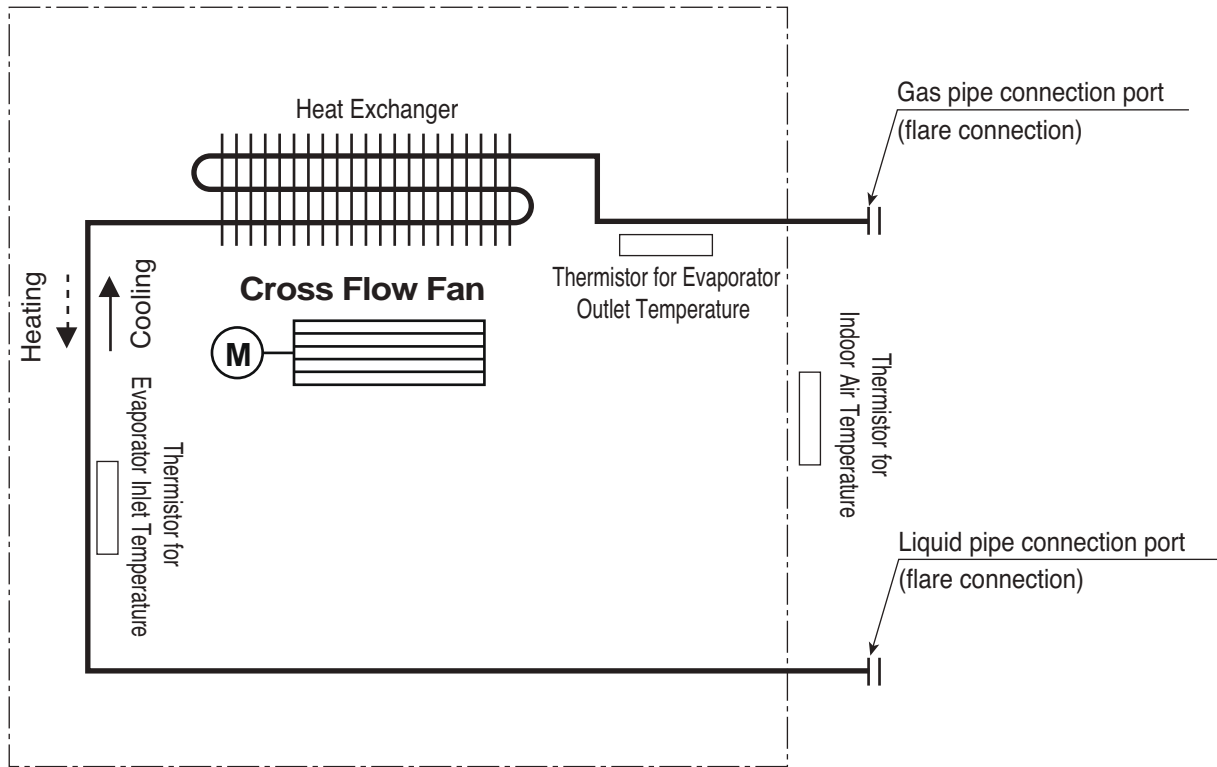
1. Unit should be installed in compliance with the installation manual in the product box.
2. Unit should be grounded in accordance with the local regulations or applicable national codes.
3. All electrical components and materials to be supplied from the site must comply with the local regulations or international codes.
4. Electric characteristics chapter should be considered for electrical work and design. Especially the power cable and circuit breaker should be selected in accordance with that.

7	Remote Controller Signal Receiver	for Wireless type
6	Screws of Decoration Cover	-
5	Decoration Cover	-
4	Terminal Block for Power supply and Communication	Inside decoration cover
3	Drain hose connection	-
2	Installation Plate	-
1	Refrigerant/Drain pipe and cable routing hole	Knock-out type
No.	Name	Description

# MULTI ZONE

## 4. Piping diagrams

Models : MW09Y3J/ MW12Y3J/ MW18Y3J



### ■ Refrigerant pipe connection port diameters

Unit : mm(inch)

Model	Gas	Liquid
MW09Y3J MW12Y3J	Ø9.52(3/8)	Ø6.35(1/4)
MW18Y3J	Ø12.7(1/2)	Ø6.35(1/4)

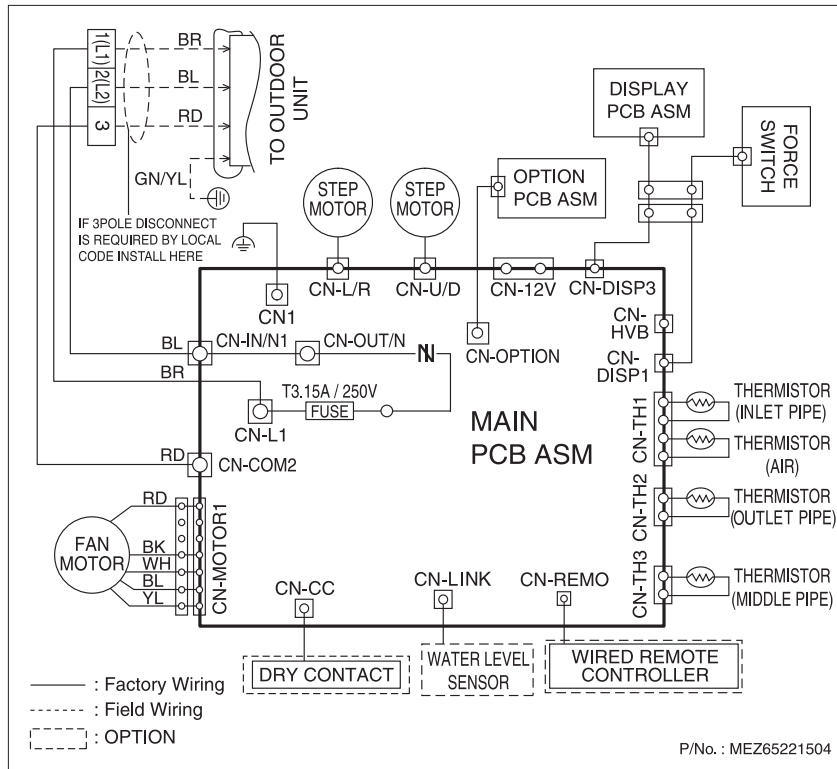
Description	PCB Connector
Thermistor for Indoor Air Temperature	CN_TH1
Thermistor for Evaporator Inlet Temperature	
Thermistor for Evaporator Outlet Temperature	CN_TH2
Water level sensor(Optional)	CN_TH3

Notes : Description is expressed based on Cooling mode.

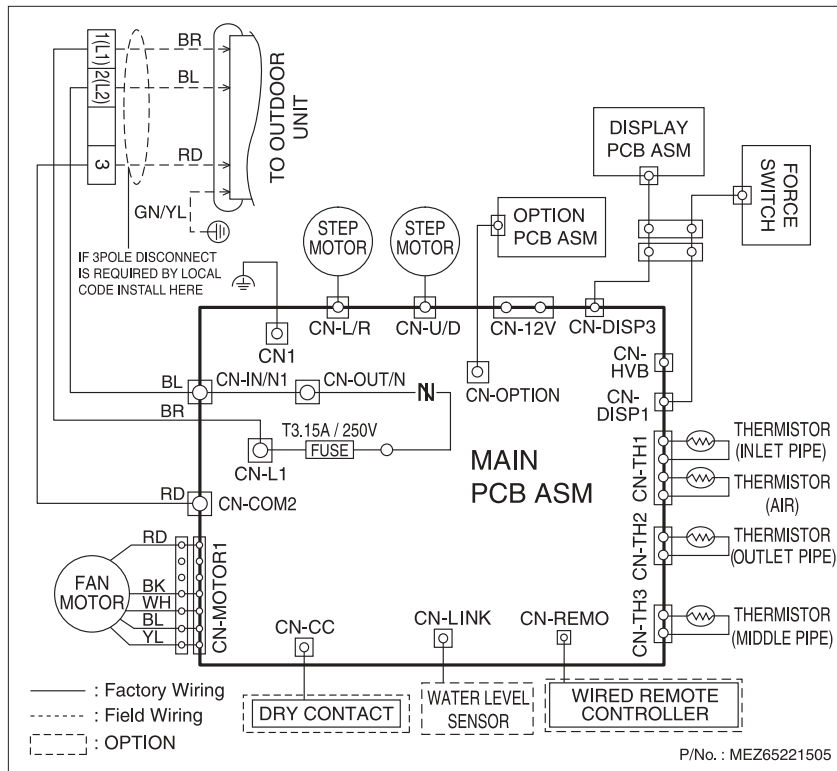
# MULTI ZONE

## 5. Wiring diagrams

Models : MW09Y3J / MW12Y3J



Models : MW18Y3J



# MULTI ZONE

## 6. Capacity Tables

### ■ Cooling Capacity

Cooling Capacity

Unit Size (kBtu/h(kW))	Outdoor air temp. °F DB	Indoor Air Temp.: °FDB / °FWB											
		68 / 57		73 / 61		77 / 64		80 / 67		86 / 72		90 / 75	
		TC	SHC	TC	SHC	TC	SHC	TC	SHC	TC	SHC	TC	SHC
9 (2.64)	14	8.82	6.04	9.37	6.38	9.92	6.18	10.31	6.31	11.01	6.36	11.56	6.48
	20	8.82	6.09	9.36	6.43	9.91	6.23	10.31	6.36	11.01	6.41	11.55	6.53
	25	8.81	6.13	9.36	6.48	9.90	6.27	10.30	6.41	11.00	6.46	11.54	6.58
	30	8.80	6.18	9.35	6.53	9.90	6.32	10.29	6.46	10.99	6.51	11.54	6.63
	35	8.80	6.23	9.34	6.58	9.89	6.37	10.28	6.50	10.98	6.56	11.53	6.68
	40	8.79	6.28	9.33	6.63	9.88	6.42	10.27	6.55	10.97	6.61	11.52	6.73
	45	8.78	6.32	9.33	6.68	9.87	6.47	10.27	6.60	10.96	6.66	11.51	6.78
	50	8.78	6.37	9.32	6.73	9.87	6.51	10.26	6.65	10.96	6.71	11.50	6.83
	55	8.77	6.42	9.31	6.78	9.86	6.56	10.25	6.70	10.95	6.76	11.49	6.88
	60	8.76	6.46	9.31	6.83	9.85	6.61	10.24	6.75	10.94	6.81	11.48	6.93
	65	8.76	6.51	9.30	6.88	9.84	6.66	10.24	6.80	10.93	6.85	11.47	6.98
	70	8.75	6.56	9.29	6.92	9.84	6.70	10.23	6.85	10.92	6.90	11.47	7.03
	75	8.54	6.45	9.08	6.82	9.62	6.61	10.01	6.75	10.71	6.82	11.25	6.96
	80	8.33	6.34	8.87	6.71	9.41	6.51	9.80	6.66	10.49	6.73	11.03	6.87
	85	8.12	6.22	8.66	6.60	9.20	6.41	9.59	6.56	10.28	6.64	10.82	6.79
	90	7.91	6.10	8.45	6.48	8.99	6.31	9.37	6.46	10.06	6.55	10.60	6.70
	95	7.68	6.04	8.22	6.43	8.75	6.26	9.00	6.32	9.83	6.52	10.36	6.67
	100	7.50	5.88	8.03	6.26	8.57	6.11	8.88	6.22	9.64	6.37	10.17	6.53
105	7.31	5.72	7.84	6.10	8.38	5.96	8.77	6.12	9.45	6.23	9.99	6.39	
110	7.12	5.52	7.66	5.90	8.19	5.78	8.58	5.94	9.26	6.06	9.80	6.22	
115	6.94	5.36	7.47	5.74	8.01	5.63	8.39	5.79	9.08	5.91	9.61	6.08	
118	6.82	5.32	7.36	5.70	7.89	5.60	8.28	5.76	8.96	5.89	9.50	6.06	
122	6.79	5.30	7.32	5.69	7.86	5.59	8.24	5.76	8.93	5.89	9.46	6.06	
12 (3.52)	14	11.76	8.51	12.49	8.99	13.22	8.70	13.75	8.88	14.69	8.96	15.42	9.13
	20	11.75	8.57	12.48	9.06	13.21	8.77	13.74	8.95	14.67	9.03	15.40	9.20
	25	11.75	8.64	12.48	9.13	13.20	8.84	13.73	9.02	14.66	9.10	15.39	9.27
	30	11.74	8.71	12.47	9.20	13.19	8.90	13.72	9.09	14.65	9.17	15.38	9.34
	35	11.73	8.77	12.46	9.27	13.18	8.97	13.71	9.16	14.64	9.24	15.37	9.41
	40	11.72	8.84	12.45	9.34	13.17	9.04	13.70	9.23	14.63	9.31	15.36	9.48
	45	11.71	8.90	12.44	9.41	13.16	9.11	13.69	9.30	14.62	9.38	15.35	9.55
	50	11.70	8.97	12.43	9.47	13.15	9.17	13.68	9.37	14.61	9.45	15.33	9.62
	55	11.69	9.03	12.42	9.54	13.14	9.24	13.67	9.44	14.60	9.52	15.32	9.70
	60	11.68	9.10	12.41	9.61	13.13	9.31	13.66	9.50	14.59	9.58	15.31	9.77
	65	11.67	9.17	12.40	9.68	13.12	9.38	13.65	9.57	14.57	9.65	15.30	9.84
	70	11.66	9.23	12.39	9.75	13.11	9.44	13.64	9.64	14.56	9.72	15.29	9.91
	75	11.38	9.08	12.11	9.60	12.83	9.31	13.35	9.51	14.27	9.60	15.00	9.79
	80	11.10	8.92	11.82	9.45	12.55	9.17	13.07	9.38	13.99	9.48	14.71	9.68
	85	10.83	8.76	11.54	9.29	12.26	9.03	12.78	9.24	13.70	9.36	14.42	9.56
	90	10.55	8.60	11.26	9.13	11.98	8.88	12.50	9.10	13.42	9.22	14.13	9.43
	95	10.25	8.51	10.96	9.05	11.67	8.82	12.00	8.90	13.10	9.18	13.81	9.39
	100	10.00	8.28	10.71	8.82	11.42	8.61	11.84	8.76	12.85	8.98	13.56	9.20
105	9.75	8.05	10.46	8.59	11.17	8.40	11.69	8.62	12.60	8.78	13.31	9.01	
110	9.50	7.77	10.21	8.31	10.92	8.14	11.44	8.37	12.35	8.53	13.07	8.76	
115	9.25	7.54	9.96	8.08	10.67	7.92	11.19	8.15	12.10	8.33	12.82	8.56	
118	9.10	7.49	9.81	8.03	10.52	7.88	11.04	8.12	11.95	8.30	12.67	8.54	
122	9.05	7.47	9.76	8.01	10.48	7.87	10.99	8.11	11.90	8.29	12.62	8.53	

Part 2 Product data Indoor units

# MULTI ZONE

## 6. Capacity Tables

### Cooling Capacity

Unit Size (kBtu/h(kW))	Outdoor air temp. °F DB	Indoor Air Temp.: °FDB / °FWB											
		68 / 57		73 / 61		77 / 64		80 / 67		86 / 72		90 / 75	
		TC	SHC	TC	SHC	TC	SHC	TC	SHC	TC	SHC	TC	SHC
18 (5.28)	14	17.65	12.33	18.74	13.02	19.84	12.61	20.63	12.88	22.03	12.98	23.12	13.23
	20	17.63	12.43	18.73	13.13	19.82	12.71	20.61	12.98	22.01	13.09	23.11	13.33
	25	17.62	12.52	18.71	13.23	19.81	12.81	20.60	13.08	22.00	13.19	23.09	13.44
	30	17.60	12.62	18.70	13.33	19.79	12.91	20.58	13.18	21.98	13.29	23.07	13.54
	35	17.59	12.71	18.68	13.43	19.78	13.00	20.57	13.28	21.96	13.39	23.05	13.64
	40	17.58	12.81	18.67	13.53	19.76	13.10	20.55	13.38	21.94	13.49	23.04	13.75
	45	17.56	12.90	18.66	13.63	19.75	13.20	20.53	13.48	21.93	13.59	23.02	13.85
	50	17.55	13.00	18.64	13.73	19.73	13.30	20.52	13.58	21.91	13.69	23.00	13.95
	55	17.54	13.10	18.63	13.83	19.72	13.39	20.50	13.68	21.89	13.79	22.98	14.05
	60	17.52	13.19	18.61	13.93	19.70	13.49	20.49	13.78	21.88	13.89	22.97	14.16
	65	17.51	13.29	18.60	14.03	19.69	13.59	20.47	13.87	21.86	13.99	22.95	14.26
	70	17.50	13.38	18.58	14.13	19.67	13.69	20.46	13.97	21.84	14.09	22.93	14.36
	75	17.08	13.16	18.16	13.92	19.24	13.49	20.03	13.79	21.41	13.92	22.50	14.20
	80	16.66	12.93	17.74	13.70	18.82	13.30	19.60	13.60	20.98	13.75	22.06	14.03
	85	16.24	12.70	17.32	13.47	18.40	13.09	19.17	13.40	20.55	13.56	21.63	13.85
	90	15.82	12.46	16.90	13.23	17.97	12.88	18.75	13.19	20.12	13.37	21.20	13.67
	95	15.37	12.33	16.44	13.12	17.51	12.78	18.00	12.90	19.65	13.30	20.72	13.61
	100	14.99	12.00	16.06	12.78	17.13	12.47	17.77	12.70	19.28	13.01	20.35	13.33
105	14.62	11.67	15.69	12.45	16.76	12.17	17.53	12.50	18.90	12.73	19.97	13.05	
110	14.24	11.27	15.32	12.05	16.39	11.79	17.16	12.13	18.53	12.36	19.60	12.70	
115	13.87	10.93	14.94	11.71	16.01	11.48	16.79	11.82	18.15	12.07	19.22	12.41	
118	13.65	10.85	14.72	11.64	15.79	11.42	16.56	11.77	17.93	12.03	19.00	12.37	
122	13.57	10.83	14.64	11.62	15.71	11.40	16.49	11.75	17.85	12.01	18.92	12.36	

#### Notes:

- Capacities are based on the following conditions.  
Corresponding refrigerant piping length is accordance with standard length of each outdoor units.  
Level difference : 0ft
- TC : Total Capacity (kBtu/h), SHC: Sensible Heat Capacity(kBtu/h)
- █ indicates reference data.  
When operating at this temperature, these values can be different by discontinuous operation.
- Capacities indicated in the above tables are based on unlimited refrigerant flow.

# 6. Capacity Tables

## ■ Heating Capacity

Heating capacity

Unit Size (kBtu/h(kW))	Outdoor Air Temp.		Indoor Air Temp.: °FDB					
			61	64	68	70	72	75
	°F DB	°F WB	TC	TC	TC	TC	TC	TC
9 (2.64)	0	-0.4	5.35	5.28	5.23	5.20	5.12	4.90
	5	4.5	6.03	5.95	5.90	5.88	5.80	5.58
	10	9	6.71	6.63	6.58	6.56	6.48	6.26
	17	15	7.61	7.54	7.49	7.46	7.39	7.14
	20	19	7.95	7.88	7.83	7.80	7.72	7.46
	25	23	8.52	8.44	8.39	8.37	8.29	7.99
	30	28	9.01	8.93	8.88	8.86	8.78	8.52
	35	32	9.50	9.42	9.37	9.34	9.27	9.04
	40	36	9.94	9.86	9.81	9.78	9.71	9.48
	45	41	10.37	10.30	10.25	10.22	10.15	9.92
	47	43	10.55	10.48	10.43	10.40	10.32	10.10
	50	46	10.72	10.64	10.59	10.57	10.49	10.24
	55	51	11.00	10.93	10.88	10.85	10.78	10.48
	60	56	11.00	10.93	10.88	10.85	10.78	10.52
63	59	11.00	10.93	10.88	10.85	10.78	10.55	
68	64	11.00	10.93	10.88	10.85	10.78	10.60	
12 (3.52)	0	-0.4	7.10	7.00	6.93	6.90	6.80	6.50
	5	4.5	8.00	7.90	7.83	7.80	7.70	7.40
	10	9	8.90	8.80	8.73	8.70	8.60	8.30
	17	15	10.10	10.00	9.93	9.90	9.80	9.48
	20	19	10.55	10.45	10.38	10.35	10.25	9.90
	25	23	11.30	11.20	11.13	11.10	11.00	10.60
	30	28	11.95	11.85	11.78	11.75	11.65	11.30
	35	32	12.60	12.50	12.43	12.40	12.30	12.00
	40	36	13.18	13.08	13.02	12.98	12.88	12.58
	45	41	13.77	13.67	13.60	13.57	13.47	13.17
	47	43	14.00	13.90	13.83	13.80	13.70	13.40
	50	46	14.23	14.13	14.06	14.03	13.93	13.59
	55	51	14.60	14.50	14.43	14.40	14.30	13.90
	60	56	14.60	14.50	14.43	14.40	14.30	13.96
63	59	14.60	14.50	14.43	14.40	14.30	14.00	
68	64	14.60	14.50	14.43	14.40	14.30	14.06	
18 (5.28)	0	-0.4	10.70	10.55	10.45	10.40	10.25	9.80
	5	4.5	12.06	11.91	11.81	11.76	11.61	11.15
	10	9	13.41	13.26	13.16	13.11	12.96	12.51
	17	15	15.22	15.07	14.97	14.92	14.77	14.29
	20	19	15.90	15.75	15.65	15.60	15.45	14.92
	25	23	17.03	16.88	16.78	16.73	16.58	15.98
	30	28	18.01	17.86	17.76	17.71	17.56	17.03
	35	32	18.99	18.84	18.74	18.69	18.54	18.09
	40	36	19.87	19.72	19.62	19.57	19.42	18.97
	45	41	20.75	20.60	20.50	20.45	20.30	19.85
	47	43	21.10	20.95	20.85	20.80	20.65	20.20
	50	46	21.44	21.29	21.19	21.14	20.99	20.48
	55	51	22.01	21.86	21.75	21.70	21.55	20.95
	60	56	22.01	21.86	21.75	21.70	21.55	21.04
63	59	22.01	21.86	21.75	21.70	21.55	21.10	
68	64	22.01	21.86	21.75	21.70	21.55	21.20	

**Notes:**

1. Capacities are based on the following conditions.  
Corresponding refrigerant piping length is accordance with standard length of each outdoor units.  
Level difference : 0ft
2. TC : Total Capacity (kBtu/h)
3. Capacities indicated in the above tables are based on unlimited refrigerant flow.

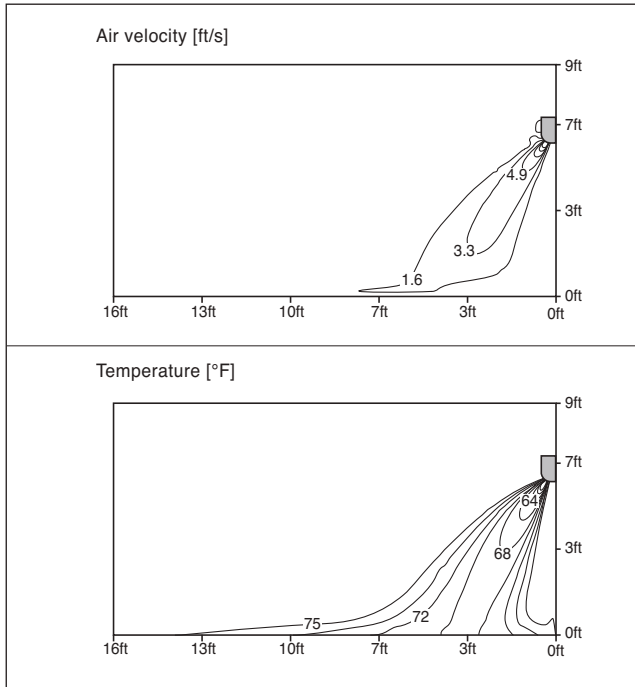
# MULTI ZONE

## 7. Air flow and temperature distributions (reference data)

Model : MW09Y3J

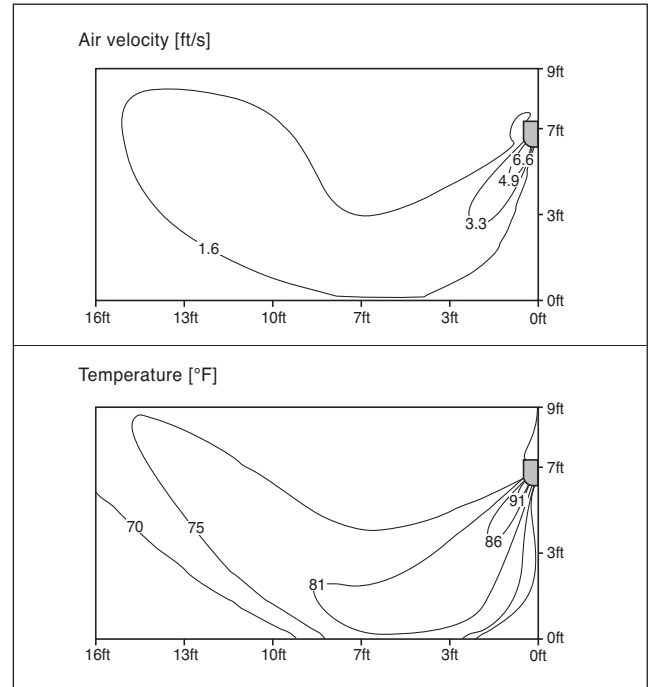
### Cooling

Discharge angle : 40°



### Heating

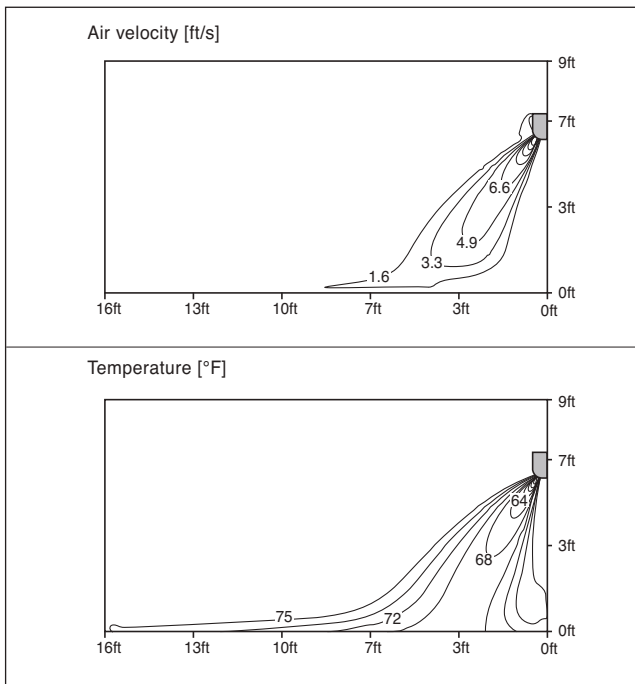
Discharge angle : 50°



Model : MW12Y3J

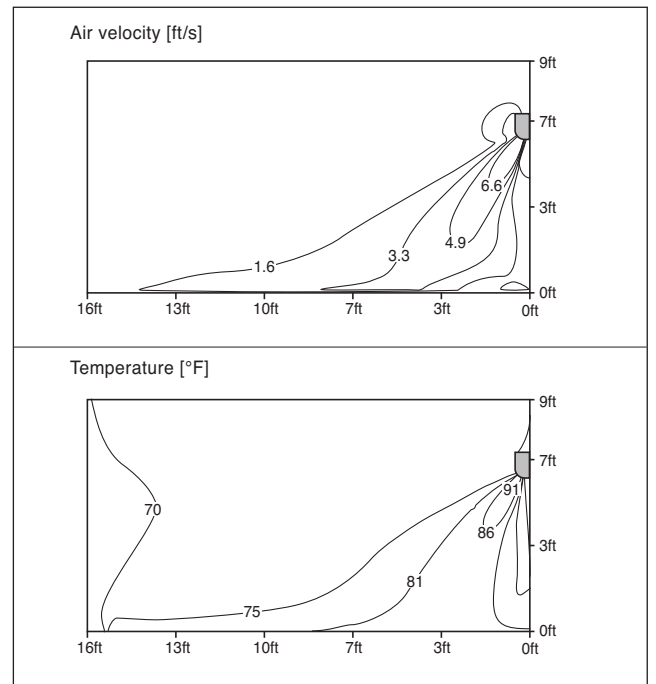
### Cooling

Discharge angle : 40°



### Heating

Discharge angle : 50°



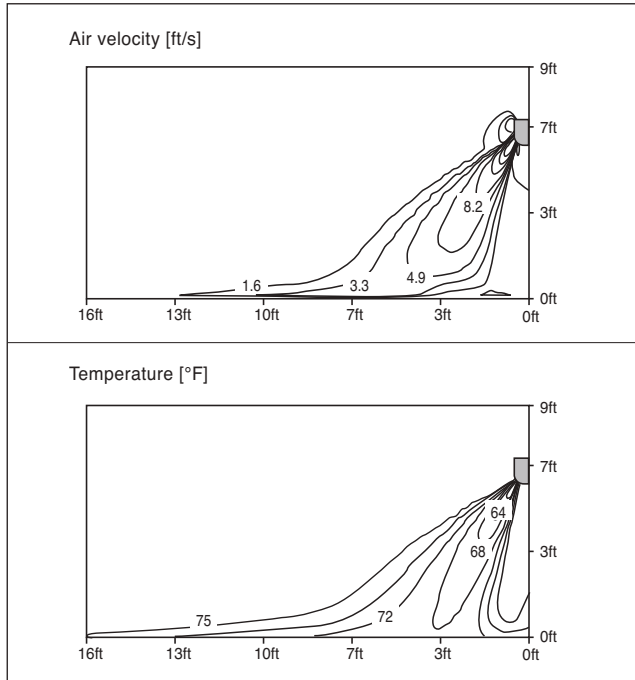
# MULTI ZONE

## 7. Air flow and temperature distributions (reference data)

Model : MW18Y3J

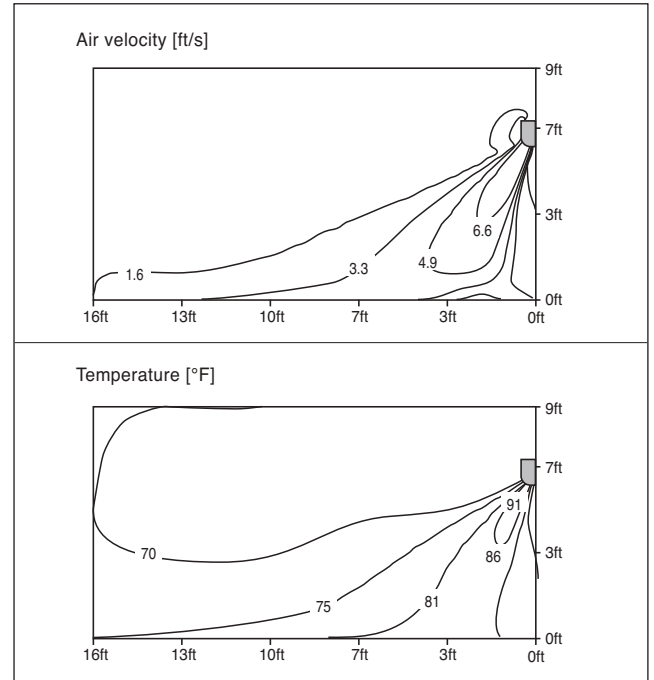
### Cooling

Discharge angle : 40°



### Heating

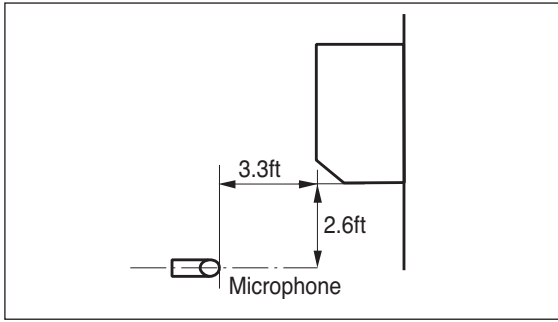
Discharge angle : 50°



# MULTI ZONE

## 8. Sound levels

### Overall



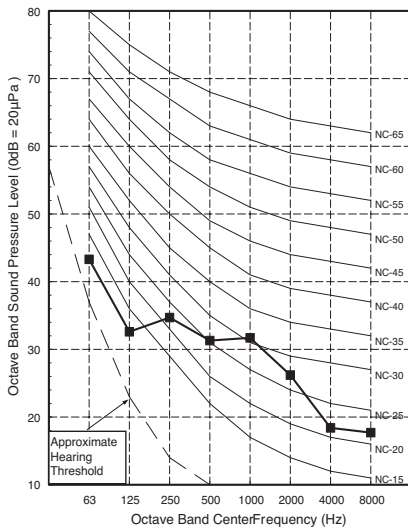
#### Notes:

- Sound measured at 3.3ft away from the unit.
- Data is valid at free field condition.
- Data is valid at nominal operation condition.
- Reference acoustic pressure  $0\text{dB}=20\mu\text{Pa}$ .
- Sound level will vary depending on a range of factors such as the construction (acoustic absorption coefficient) of particular room in which the equipment is installed.
- The operating conditions are assumed to be standard.

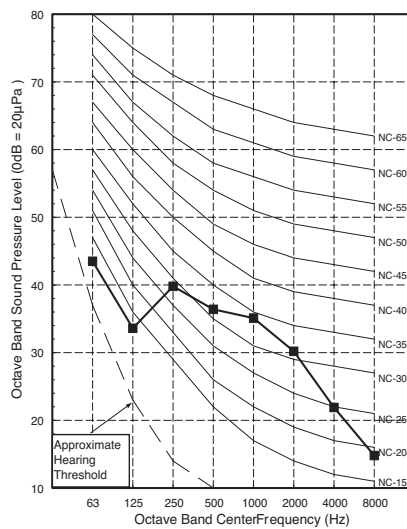
Model	Sound Level [dB(A)]		
	H	M	L
MW09Y3J	33	30	27
MW12Y3J	39	36	31
MW18Y3J	37	33	28

### Sound pressure level

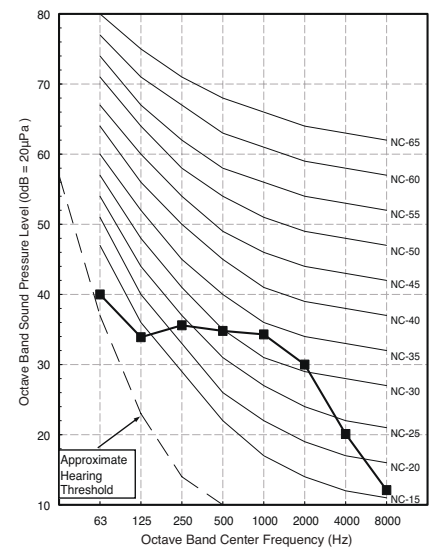
MW09Y3J



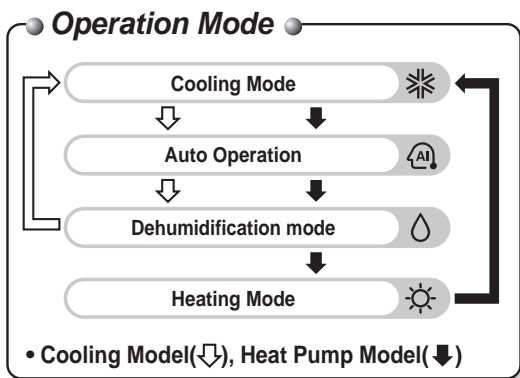
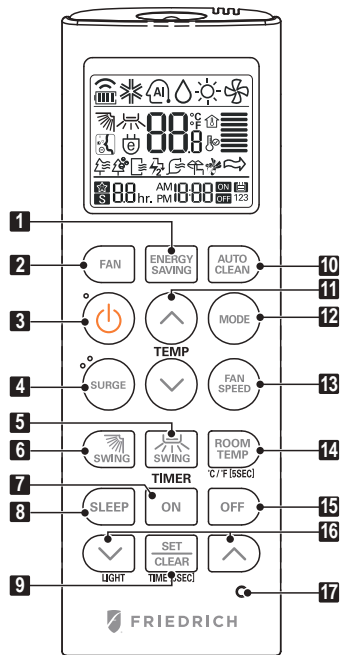
MW12Y3J



MW18Y3J



### Wireless remote controller



- 1. ENERGY SAVING Button**  
Used to set or clear Energy saving.
- 2. FAN Button**  
Used to select Fan mode.
- 3. ON/OFF Button**  
Used to turn on/off the unit.
- 4. SURGE Button**  
Speed cooling operates super high fan speed.
- 5. LEFT/RIGHT AIRFLOW Button (OPTIONAL)**  
Used to set the desired left/right(horizontal) airflow direction.
- 6. UP/DOWN AIRFLOW Button**  
Used to stop or start louver movement and set the desired up/down airflow direction.
- 7. ON TIMER Button**  
Used to set the time of starting operation.
- 8. SLEEP TIMER Button**  
Used to set the time of sleeping operation.
- 9. SET / CLEAR Button**  
Used to set/clear the timer.  
Used to set the current time(if it input for 3sec.)
- 10. AUTO CLEAN Button**  
Used to set or clear Auto clean.
- 11. ROOM TEMPERATURE SETTING Button**  
Used to select the room temperature.
- 12. OPERATION MODE SELECTION Button**  
Used to select the operation mode.
- 13. INDOOR FAN SPEED SELECTION Button**  
Used to select fan speed in four steps low, medium, high and chaos.
- 14. ROOM TEMPERATURE CHECKING Button**  
Used to check the room temperature.
- 15. OFF TIMER Button**  
Used to set the time of stopping operation.
- 16. TIMER SETTING(Up/Down)/LIGHT Button**  
Used to set the timer.  
Used to adjust the brightness.(if it is not time adjust mode)
- 17. RESET Button**  
Used to reset the remote controller.

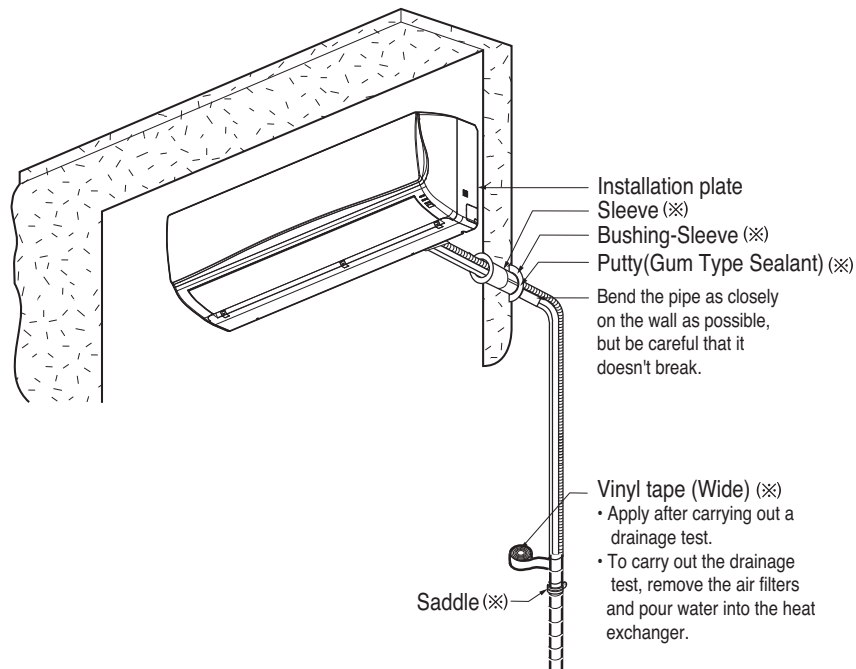
**NOTE**

\* Some functions may not be operated and displayed depending on the product type.

# MULTI ZONE

## 10. Installation

- Please read the instruction sheets completely before installing the product.
- When the power cord is damaged, replacement work shall be performed by authorized personnel only.
- Installation work must be performed in accordance with the national wiring standards by authorized personnel only.

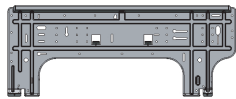
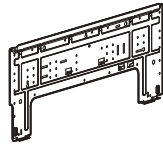










### 10.1 Accessories

The following accessories are included with your unit.

#### 1) Standard accessories

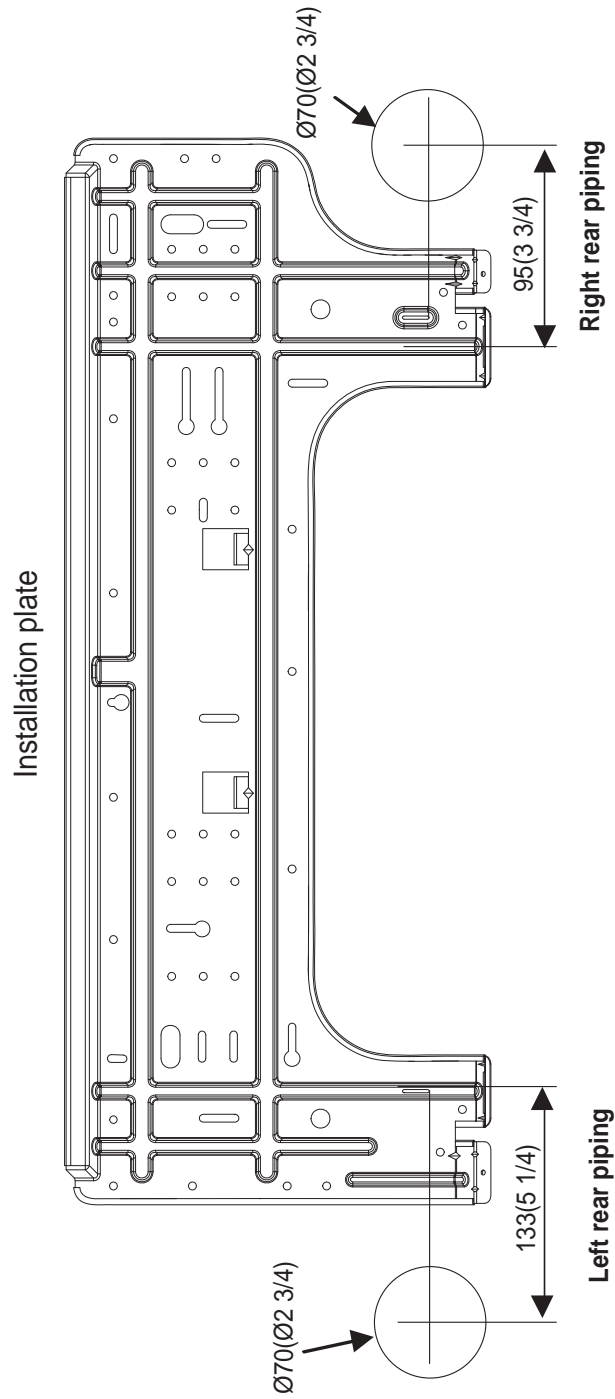
##### [Wall-mounted Type]

Type 1		Type 2	
Installation plate		Installation plate	
			
Type "B" screw	Type "C" screw	Type "B" screw	Type "C" screw
			
Type "A" screw		Type "A" screw	
			
Remote control holder		Remote control holder	
			

# 10. Installation

## 2) Installation plate dimensions

Type 1 : MW09Y3J / MW12Y3J

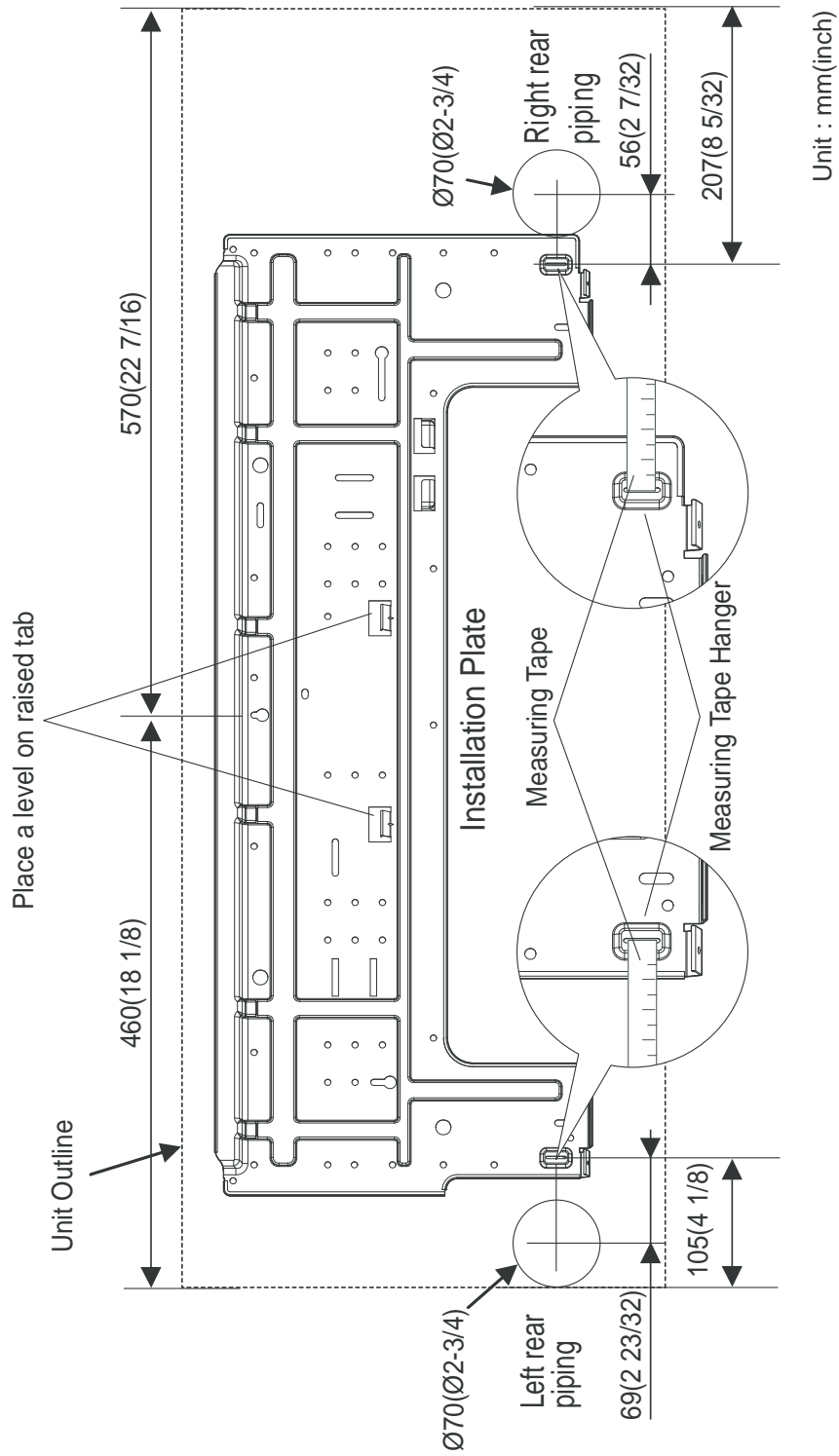


Unit : mm (inch)

# MULTI ZONE

## 10. Installation

Type 2 : MW18Y3J



**CAUTION**

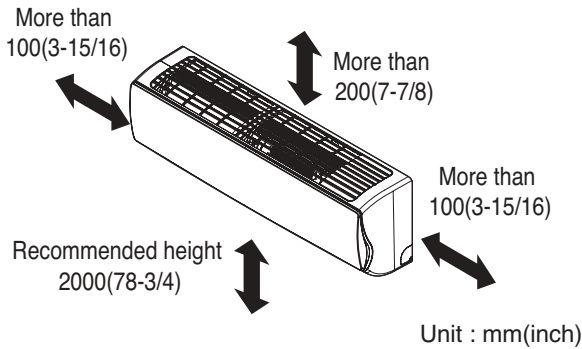
- Use only those accessories (Standard or optional) which have designated specifications

# MULTI ZONE

## 10. Installation

### 10.2 Selection of the best location

- ① There should not be any heat or steam near the unit.
- ② Select a place where there are no obstacles around of the unit.
- ③ Make sure that condensation drainage can be conveniently routed away.
- ④ Do not install near a doorway.
- ⑤ Use a metal detector to locate studs to prevent unnecessary damage to the wall.

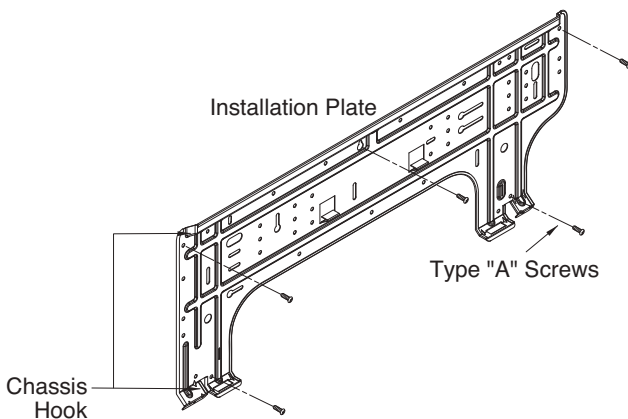


Note : Remove obstructions to prevent blockage of air-flow path

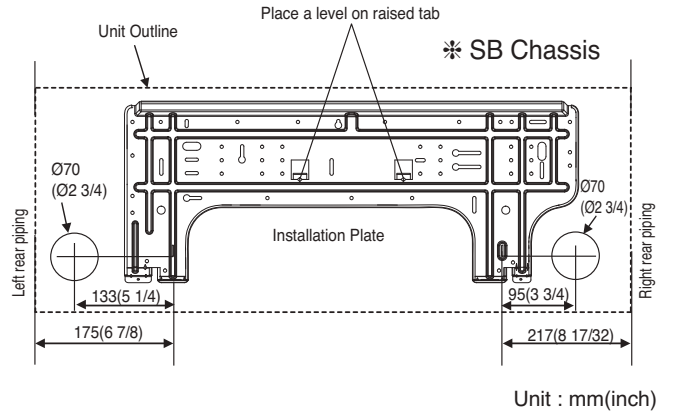
### 10.3 Fixing installation plate

The wall you select should be strong and solid enough to prevent vibration

- ① Mount the installation plate on the wall with type "A" screws. If mounting the unit on a concrete wall, use anchor bolts.
  - Mount the installation plate horizontally by aligning the centerline using a level gauge.



- ② Measure the wall and mark the centerline. It is also important to use caution concerning the location of the installation plate. Routing of the wiring to power outlets is through the walls typically. Drilling the hole through the wall for piping connections must be done safely.



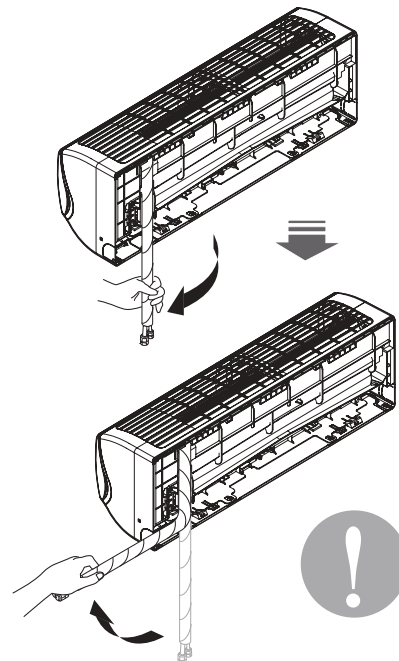
### 10.4 Before piping work

#### CAUTION

- Installation Information. For right piping. Follow the instruction given below.

#### Good case

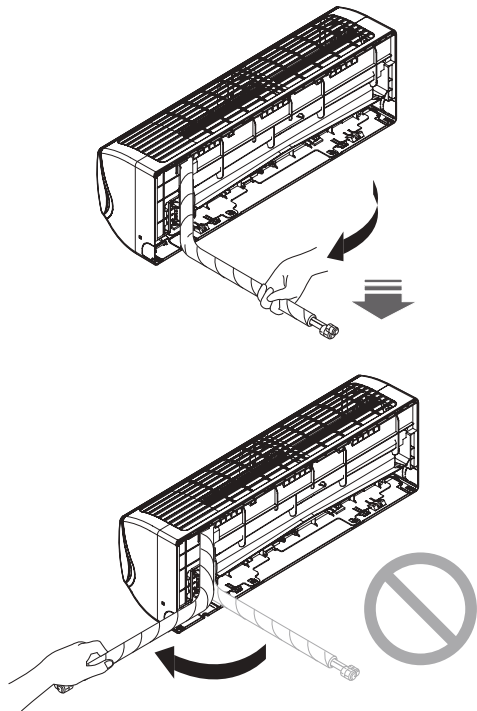
- Press on the upper side of clamp and unfold the tubing to downward slowly.



# 10. Installation

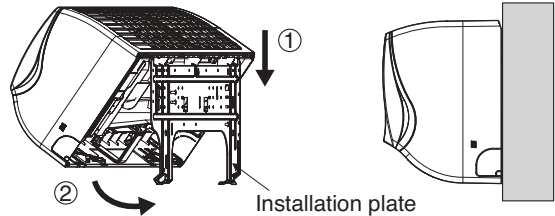
## Wrong method

- Following bending type from left to right may cause damage to the tubing.

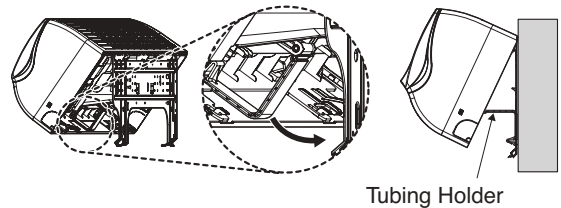


## 1) Installation of Indoor Unit

- ① Hook the indoor unit onto the upper portion of the installation plate. (engage the three hooks at the top of the indoor unit with the upper edge of the installation plate) Ensure that the hooks are properly seated on the installation plate by moving it left and right

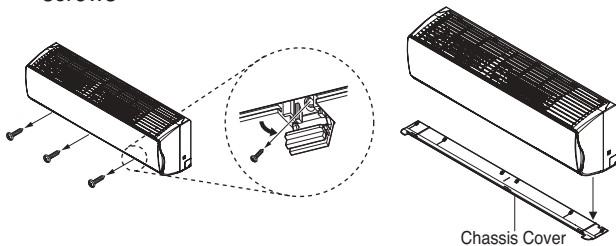


- ② Unlock the tubing holder from the chassis and mount between the chassis and installation plate in order to separate the bottom side of the indoor unit from the wall

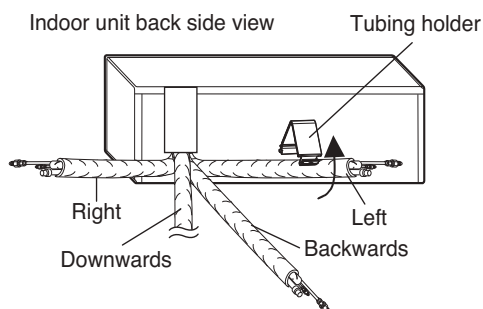


## 10.5 Connecting the piping

- ① Pull the screw cap at the bottom of the indoor unit
- ② Remove the chassis cover from the unit by loosening 2 screws



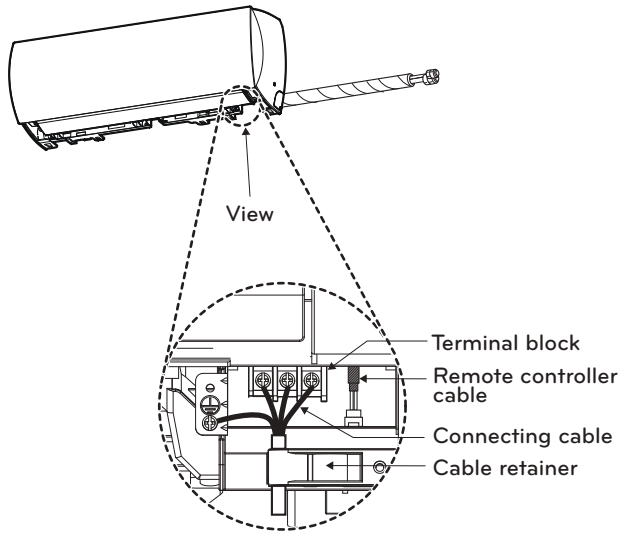
- ③ Pull back the tubing holder.
- ④ Remove pipe port cover and positioning the tubing



# 10. Installation

## Wiring and Piping Connection

- ① Insert the connecting cable through the bottom side of indoor unit and connect the cable (You can see detail contents in 'Connecting the cables' section)



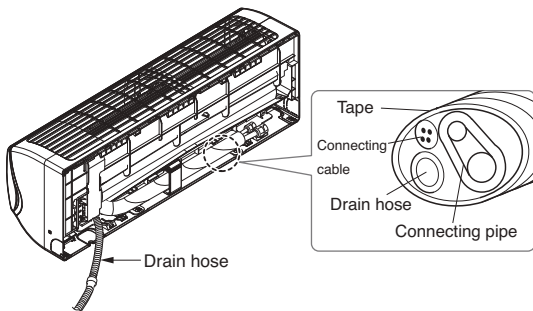
- ② Secure the cable onto the control board with the cable retainer.
- ③ Tape the tubing pipe, drain hose. Be sure that the drain hose is located at the lowest side of the bundle. Locating at the upper side can cause overflow from the drain pan through the inside of the unit.

**CAUTION**

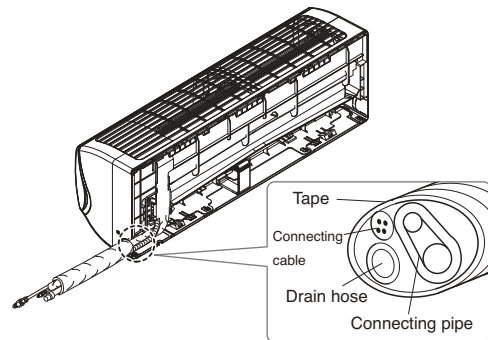
If the drain hose is routed inside the room insulate the hose with an insulation material\* so that dripping from sweating (condensation) will not damage furniture or floors.

\* Foamed polyethylene or equivalent is recommended.

<Left side piping>

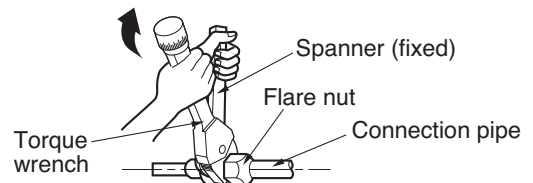
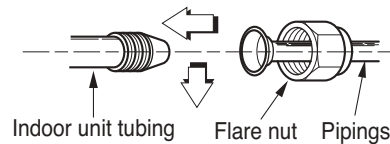


<Right side piping>

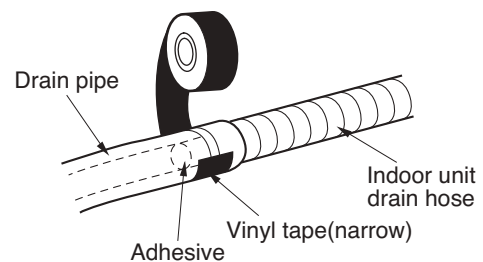


## 2) Connecting the installation pipe and drain hose to the indoor unit.

- ① Align the center of the pipes and sufficiently tighten the flare nut by hand
- ② Tighten the flare nut with a wrench



- ③ When needed to extend the drain hose of indoor unit, assembly the drain pipe as shown on the drawing

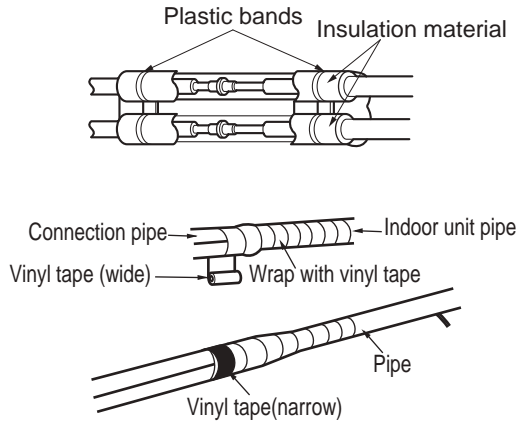


# MULTI ZONE

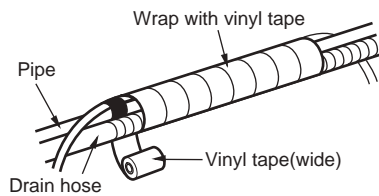
## 10. Installation

### 3) Wrap the insulation material around the connecting portion.

- ① Overlap the connection pipe heat insulation and the indoor unit pipe heat insulation material. Bind them together with vinyl tape so that there is no gap.
- ② Wrap the area which accommodates the rear piping housing section with vinyl tape.

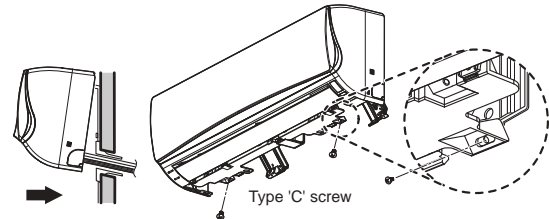


- ③ Bundle the piping and drain hose together by wrapping them with cloth tape over the section within which they fit into the rear piping housing section.



### 4) Finishing the indoor unit installation

- ① Mount the tubing holder in the original position.
- ② Ensure that the hooks are properly seated on the installation plate by moving it left and right.
- ③ Press the lower left and right sides of the unit against the installation plate until the hooks engage into their slots (clicking sound).
- ④ Finish the assembly by screwing the unit to the installation plate by using two pieces of type "C" screws. Then assemble the chassis cover.

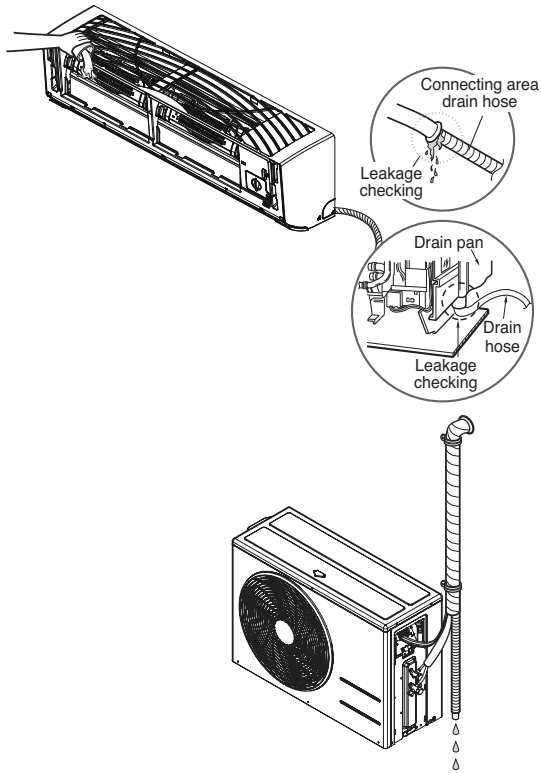


# 10. Installation

## 10.6 Checking the Drainage

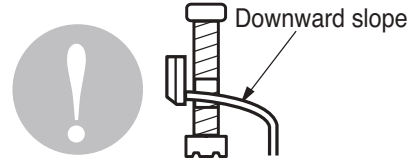
### 1) To check the drainage.

- ① Pour a glass of water on the evaporator.
- ② Ensure the water flows through the drain hose of the indoor unit without any leakage and goes out the drain exit.

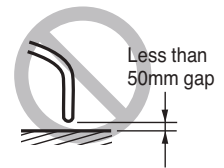
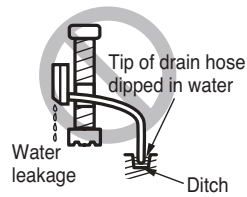
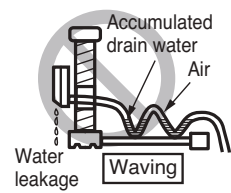


### 2) Drain piping

- ① The drain hose should point downward for easy drain flow.



- ② Do not make drain piping like the following.



# MULTI ZONE

## **Ceiling cassette 4-way**

- 1. List of functions**
- 2. Specifications**
- 3. Dimensions**
- 4. Piping diagrams**
- 5. Wiring Diagrams**
- 6. Capacity Tables**
- 7. Air flow and temperature distributions (reference data)**
- 8. Sound levels**
- 9. Controller**
- 10. Installation**

# MULTI ZONE

## 1. List of functions

Category	Function	MC12Y3JM MC18Y3JM
Air flow	Air supply outlet	4
	Airflow direction control (left & right)	X
	Airflow direction control (up & down)	Auto
	Auto swing (left & right)	X
	Auto swing (up & down)	O
	Airflow steps (fan/cool/heat)	4 / 5 / 4
	Chaos wind(auto wind)	O
	Surge (cool/heat)	O / X
	Swirl wind	O
Air purifying	Triple filter (Deodorizing)	X
	Ventilation Kit	X
	Plasma air purifier	X
	Allergy Safe filter	X
	Long-life prefilter (washable / anti-fungus)	O
Installation	Drain pump	O
	E.S.P. control	X
	Electric heater	X
	High ceiling operation*	O
	Auto Elevation Grille	X
Reliability	Hot start	O
	Self diagnosis	O
	Soft dry operation	O
Convenience	Auto changeover	X
	Auto cleaning	X
	Auto operation(artificial intelligence)	O
	Auto Restart	O
	Child lock*	O
	Forced operation	O
	Group control*	O
	Sleep mode	O
	Timer(on/off)	O
	Timer(weekly)*	O
	Two thermistor control*	O
Individual control	Wired remote controller	DWC1
	Deluxe wired remote controller	X
	Simple wired remote controller	X
	Simple Wired remote controller(for hotel use)	X
	Wireless remote controller	O
Network function	Dry contact	X
	PI 485(for Indoor Unit)	X
Special function kit	Zone controller	X
	CTI(Communication transfer interface)	X
	Electronic thermostat	X
Others	Remote temperature sensor	X
	Group control wire	X
	Telecom shelter controller	X

**Note :**

1. \* : These functions need to connect the wired remote controller.

O : Applied, X : Not applied

Accessory model name : Installed at field, ordered and purchased separately by the corresponding model name, supplied with separate package.

# MULTI ZONE

## 2. Specifications

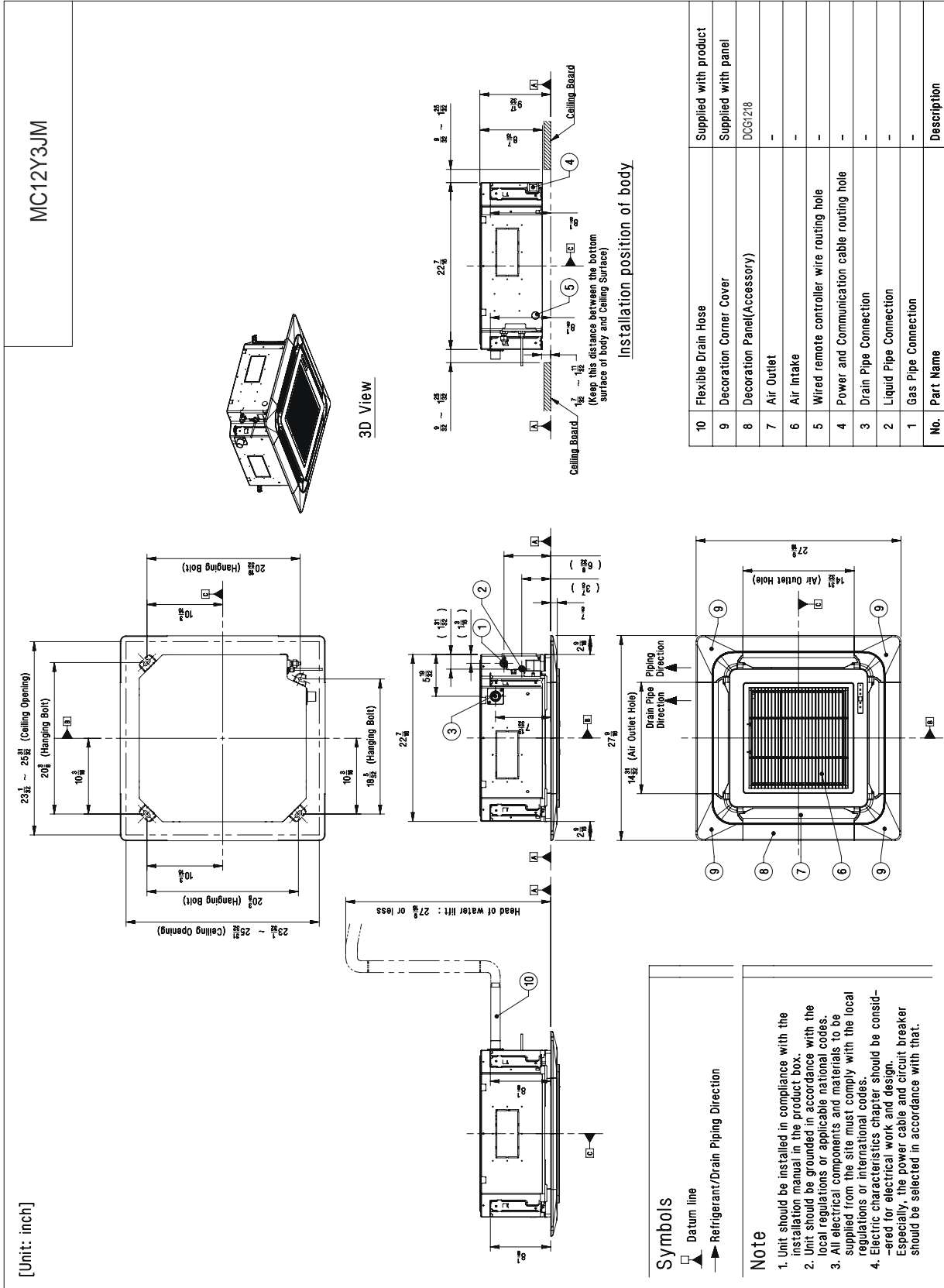
Model Name				MC12Y3JM	MC18Y3JM
Power Supply			V, Ø, Hz	208/230, 1, 60	208/230, 1, 60
Capacity	Cooling	Nominal	Btu/h	12,000	18,000
	Heating	Nominal	Btu/h	13,800	20,800
Casing Color			-	-	-
Dimensions	Body	W x H x D	mm	570 x 214 x 570	570 x 256 x 570
		W x H x D	inch	22-7/16 x 8-7/16 x 22-7/16	22-7/16 x 10-3/32 x 22-7/16
Net Weight	Body		kg (lbs)	14.0 (30.9)	15.0 (33.1)
Heat Exchanger	(Row x Column x Fins per inch) x No.		-	(2 x 8 x 18) x 1	(2 x 10 x 18) x 1
	Face Area		m <sup>2</sup> (ft <sup>2</sup> )	0.22 (2.40)	0.28 (3.00)
Fan	Type		-	Turbo Fan	Turbo Fan
	Air Flow Rate	H / M / L	CMM	9.5 / 8.0 / 7.0	13.0 / 12.0 / 11.0
		H / M / L	CFM	335 / 283 / 247	459 / 424 / 388
Fan Motor	Type		-	BLDC	BLDC
	Output		W x No.	43 x 1	43 x 1
	Running Current		A	0.25	0.25
Sound Pressure Level		H / M / L	dB(A)	38 / 35 / 32	38 / 37 / 34
Piping Connections	Liquid		mm(inch)	6.35 (1/4)	6.35 (1/4)
	Gas		mm(inch)	9.52 (3/8)	12.7 (1/2)
	Drain (O.D. / I.D.)		mm(inch)	32.0(1-1/4) / 25.0(1)	32.0(1-1/4) / 25.0(1)
Safety Devices			-	Fuse	Fuse
			-	Thermal Protector for Fan Motor	Thermal Protector for Fan Motor
Power and Communication Cable (included Earth)			No. x AWG	4C x 14 / 18	4C x 14 / 18
Decoration Panel (Accessory)	Model Name		-	DCG1218	DCG1218
	Dimensions	W x H x D	mm	700 x 22 x 700	700 x 22 x 700
		W x H x D	inch	27-9/16 x 7/8 x 27-9/16	27-9/16 x 7/8 x 27-9/16
	Net weight		kg (lbs)	3.0 (6.6)	3.0 (6.6)

**Note :**

1. Wiring cable size must comply with the applicable local and national code.
2. Due to our policy of innovation some specifications may be changed without notification.
3. Sound Level Values are measured at Anechoic chamber.  
Therefore, these values can be increased owing to ambient conditions during operation.
4. Acceptable operating voltage: 187V-253V

# MULTI ZONE

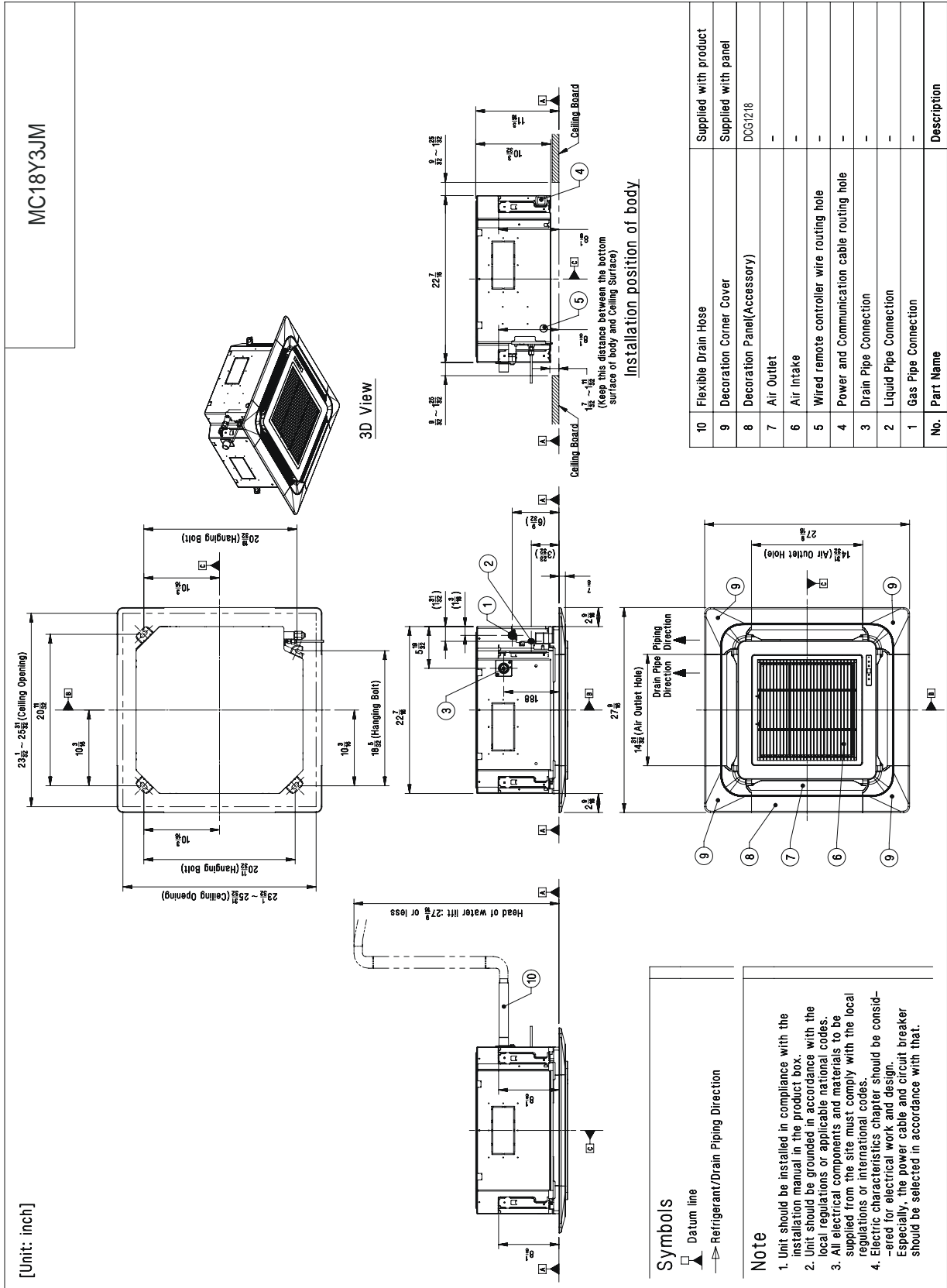
## 3. Dimensions



[Unit: inch]

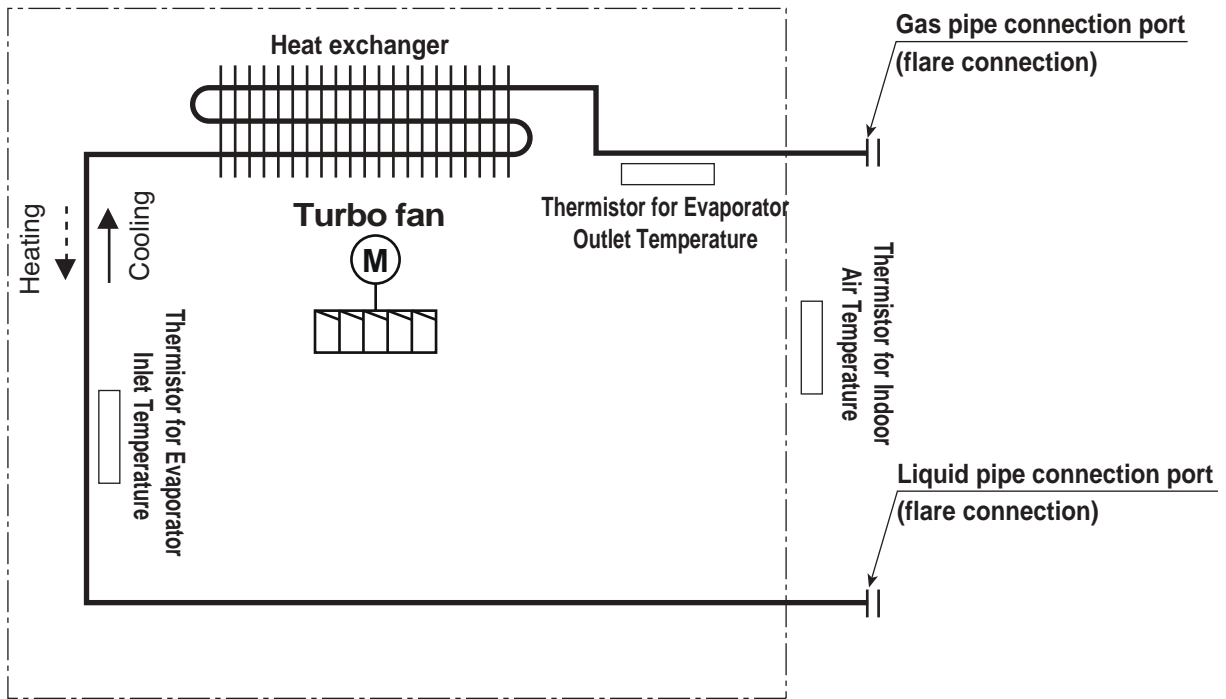
# MULTI ZONE

## 3. Dimensions



# MULTI ZONE

## 4. Piping diagrams



### ■ Refrigerant pipe connection port diameters

Unit : mm(inch)

Model	Gas	Liquid
MC12Y3JM	Ø9.52(3/8)	Ø6.35(1/4)
MC18Y3JM	Ø12.7(1/2)	Ø6.35(1/4)

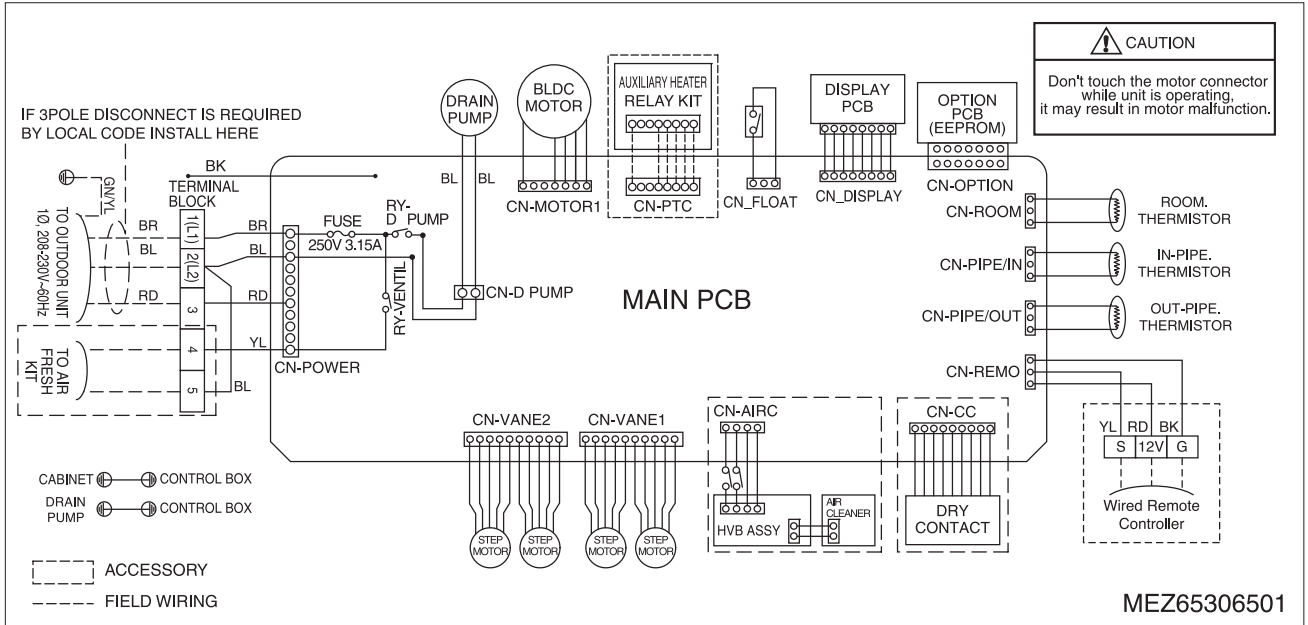
Description	PCB Connector
Thermistor for Indoor Air Temperature	CN_ROOM
Thermistor for Evaporator Inlet Temperature	CN_PIPE/IN
Thermistor for Evaporator Outlet Temperature	CN_PIPE/OUT

Notes : Description is expressed based on Cooling mode.

# MULTI ZONE

## 5. Wiring diagrams

Models: MC12Y3JM/ MC18Y3JM



Part 2 Product data Indoor units

# MULTI ZONE

## 6. Capacity Tables

### ■ Cooling Capacity

Cooling Capacity

Unit Size (kBtu/h(kW))	Outdoor air temp. °F DB	Indoor Air Temp.: °FDB / °FWB											
		68 / 57		73 / 61		77 / 64		80 / 67		86 / 72		90 / 75	
		TC	SHC	TC	SHC	TC	SHC	TC	SHC	TC	SHC	TC	SHC
12 (3.52)	14	11.76	8.51	12.49	8.99	13.22	8.70	13.75	8.88	14.69	8.96	15.42	9.13
	20	11.75	8.57	12.48	9.06	13.21	8.77	13.74	8.95	14.67	9.03	15.40	9.20
	25	11.75	8.64	12.48	9.13	13.20	8.84	13.73	9.02	14.66	9.10	15.39	9.27
	30	11.74	8.71	12.47	9.20	13.19	8.90	13.72	9.09	14.65	9.17	15.38	9.34
	35	11.73	8.77	12.46	9.27	13.18	8.97	13.71	9.16	14.64	9.24	15.37	9.41
	40	11.72	8.84	12.45	9.34	13.17	9.04	13.70	9.23	14.63	9.31	15.36	9.48
	45	11.71	8.90	12.44	9.41	13.16	9.11	13.69	9.30	14.62	9.38	15.35	9.55
	50	11.70	8.97	12.43	9.47	13.15	9.17	13.68	9.37	14.61	9.45	15.33	9.62
	55	11.69	9.03	12.42	9.54	13.14	9.24	13.67	9.44	14.60	9.52	15.32	9.70
	60	11.68	9.10	12.41	9.61	13.13	9.31	13.66	9.50	14.59	9.58	15.31	9.77
	65	11.67	9.17	12.40	9.68	13.12	9.38	13.65	9.57	14.57	9.65	15.30	9.84
	70	11.66	9.23	12.39	9.75	13.11	9.44	13.64	9.64	14.56	9.72	15.29	9.91
	75	11.38	9.08	12.11	9.60	12.83	9.31	13.35	9.51	14.27	9.60	15.00	9.79
	80	11.10	8.92	11.82	9.45	12.55	9.17	13.07	9.38	13.99	9.48	14.71	9.68
	85	10.83	8.76	11.54	9.29	12.26	9.03	12.78	9.24	13.70	9.36	14.42	9.56
	90	10.55	8.60	11.26	9.13	11.98	8.88	12.50	9.10	13.42	9.22	14.13	9.43
	95	10.25	8.51	10.96	9.05	11.67	8.82	12.00	8.90	13.10	9.18	13.81	9.39
	100	10.00	8.28	10.71	8.82	11.42	8.61	11.84	8.76	12.85	8.98	13.56	9.20
105	9.75	8.05	10.46	8.59	11.17	8.40	11.69	8.62	12.60	8.78	13.31	9.01	
110	9.50	7.77	10.21	8.31	10.92	8.14	11.44	8.37	12.35	8.53	13.07	8.76	
115	9.25	7.54	9.96	8.08	10.67	7.92	11.19	8.15	12.10	8.33	12.82	8.56	
118	9.10	7.49	9.81	8.03	10.52	7.88	11.04	8.12	11.95	8.30	12.67	8.54	
122	9.05	7.47	9.76	8.01	10.48	7.87	10.99	8.11	11.90	8.29	12.62	8.53	
18 (5.28)	14	17.65	12.33	18.74	13.02	19.84	12.61	20.63	12.88	22.03	12.98	23.12	13.23
	20	17.63	12.43	18.73	13.13	19.82	12.71	20.61	12.98	22.01	13.09	23.11	13.33
	25	17.62	12.52	18.71	13.23	19.81	12.81	20.60	13.08	22.00	13.19	23.09	13.44
	30	17.60	12.62	18.70	13.33	19.79	12.91	20.58	13.18	21.98	13.29	23.07	13.54
	35	17.59	12.71	18.68	13.43	19.78	13.00	20.57	13.28	21.96	13.39	23.05	13.64
	40	17.58	12.81	18.67	13.53	19.76	13.10	20.55	13.38	21.94	13.49	23.04	13.75
	45	17.56	12.90	18.66	13.63	19.75	13.20	20.53	13.48	21.93	13.59	23.02	13.85
	50	17.55	13.00	18.64	13.73	19.73	13.30	20.52	13.58	21.91	13.69	23.00	13.95
	55	17.54	13.10	18.63	13.83	19.72	13.39	20.50	13.68	21.89	13.79	22.98	14.05
	60	17.52	13.19	18.61	13.93	19.70	13.49	20.49	13.78	21.88	13.89	22.97	14.16
	65	17.51	13.29	18.60	14.03	19.69	13.59	20.47	13.87	21.86	13.99	22.95	14.26
	70	17.50	13.38	18.58	14.13	19.67	13.69	20.46	13.97	21.84	14.09	22.93	14.36
	75	17.08	13.16	18.16	13.92	19.24	13.49	20.03	13.79	21.41	13.92	22.50	14.20
	80	16.66	12.93	17.74	13.70	18.82	13.30	19.60	13.60	20.98	13.75	22.06	14.03
	85	16.24	12.70	17.32	13.47	18.40	13.09	19.17	13.40	20.55	13.56	21.63	13.85
	90	15.82	12.46	16.90	13.23	17.97	12.88	18.75	13.19	20.12	13.37	21.20	13.67
	95	15.37	12.33	16.44	13.12	17.51	12.78	18.00	12.90	19.65	13.30	20.72	13.61
	100	14.99	12.00	16.06	12.78	17.13	12.47	17.77	12.70	19.28	13.01	20.35	13.33
105	14.62	11.67	15.69	12.45	16.76	12.17	17.53	12.50	18.90	12.73	19.97	13.05	
110	14.24	11.27	15.32	12.05	16.39	11.79	17.16	12.13	18.53	12.36	19.60	12.70	
115	13.87	10.93	14.94	11.71	16.01	11.48	16.79	11.82	18.15	12.07	19.22	12.41	
118	13.65	10.85	14.72	11.64	15.79	11.42	16.56	11.77	17.93	12.03	19.00	12.37	
122	13.57	10.83	14.64	11.62	15.71	11.40	16.49	11.75	17.85	12.01	18.92	12.36	

**Notes:**

- Capacities are based on the following conditions.  
Corresponding refrigerant piping length is accordance with standard length of each outdoor units.  
Level difference : 0ft
- TC : Total Capacity (kBtu/h), SHC: Sensible Heat Capacity(kBtu/h)
- indicates reference data.  
When operating at this temperature, these values can be different by discontinuous operation.
- Capacities indicated in the above tables are based on unlimited refrigerant flow.

# MULTI ZONE

## 6. Capacity Tables

### ■ Heating Capacity

Heating capacity

Unit Size (kBtu/h(kW))	Outdoor Air Temp.		Indoor Air Temp.: °FDB					
			61	64	68	70	72	75
	°F DB	°F WB	TC	TC	TC	TC	TC	TC
12 (3.52)	0	-0.4	7.10	7.00	6.93	6.90	6.80	6.50
	5	4.5	8.00	7.90	7.83	7.80	7.70	7.40
	10	9	8.90	8.80	8.73	8.70	8.60	8.30
	17	15	10.10	10.00	9.93	9.90	9.80	9.48
	20	19	10.55	10.45	10.38	10.35	10.25	9.90
	25	23	11.30	11.20	11.13	11.10	11.00	10.60
	30	28	11.95	11.85	11.78	11.75	11.65	11.30
	35	32	12.60	12.50	12.43	12.40	12.30	12.00
	40	36	13.18	13.08	13.02	12.98	12.88	12.58
	45	41	13.77	13.67	13.60	13.57	13.47	13.17
	47	43	14.00	13.90	13.83	13.80	13.70	13.40
	50	46	14.23	14.13	14.06	14.03	13.93	13.59
	55	51	14.60	14.50	14.43	14.40	14.30	13.90
	60	56	14.60	14.50	14.43	14.40	14.30	13.96
63	59	14.60	14.50	14.43	14.40	14.30	14.00	
68	64	14.60	14.50	14.43	14.40	14.30	14.06	
18 (5.28)	0	-0.4	10.70	10.55	10.45	10.40	10.25	9.80
	5	4.5	12.06	11.91	11.81	11.76	11.61	11.15
	10	9	13.41	13.26	13.16	13.11	12.96	12.51
	17	15	15.22	15.07	14.97	14.92	14.77	14.29
	20	19	15.90	15.75	15.65	15.60	15.45	14.92
	25	23	17.03	16.88	16.78	16.73	16.58	15.98
	30	28	18.01	17.86	17.76	17.71	17.56	17.03
	35	32	18.99	18.84	18.74	18.69	18.54	18.09
	40	36	19.87	19.72	19.62	19.57	19.42	18.97
	45	41	20.75	20.60	20.50	20.45	20.30	19.85
	47	43	21.10	20.95	20.85	20.80	20.65	20.20
	50	46	21.44	21.29	21.19	21.14	20.99	20.48
	55	51	22.01	21.86	21.75	21.70	21.55	20.95
	60	56	22.01	21.86	21.75	21.70	21.55	21.04
63	59	22.01	21.86	21.75	21.70	21.55	21.10	
68	64	22.01	21.86	21.75	21.70	21.55	21.20	

#### Notes:

- Capacities are based on the following conditions.  
Corresponding refrigerant piping length is accordance with standard length of each outdoor units.  
Level difference : 0ft
- TC : Total Capacity (kBtu/h)
- Capacities indicated in the above tables are based on unlimited refrigerant flow.

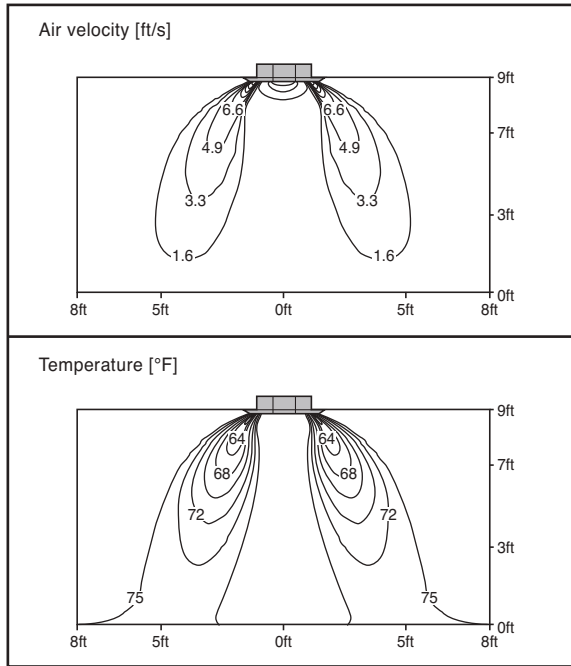
# MULTI ZONE

## 7. Air flow and temperature distributions (reference data)

Model : MC12Y3JM

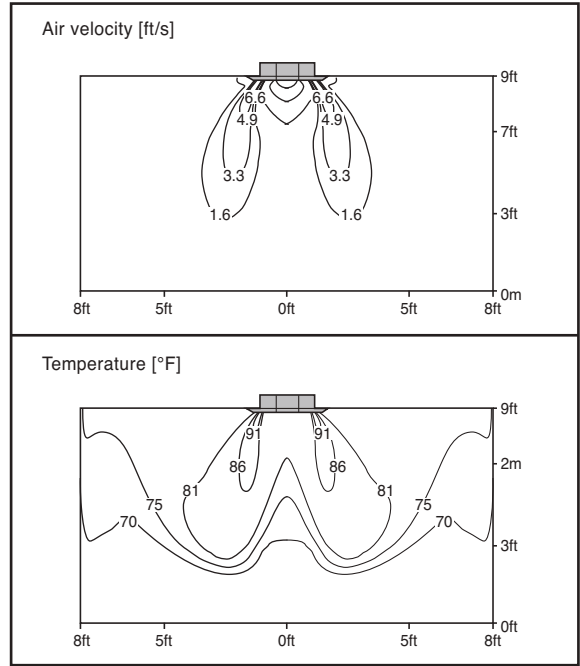
### Cooling

Discharge angle: 40°



### Heating

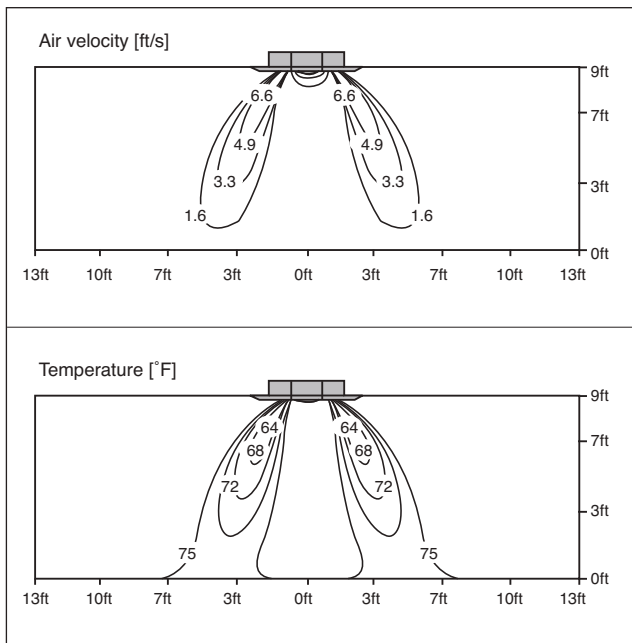
Discharge angle: 50°



Model : MC18Y3JM

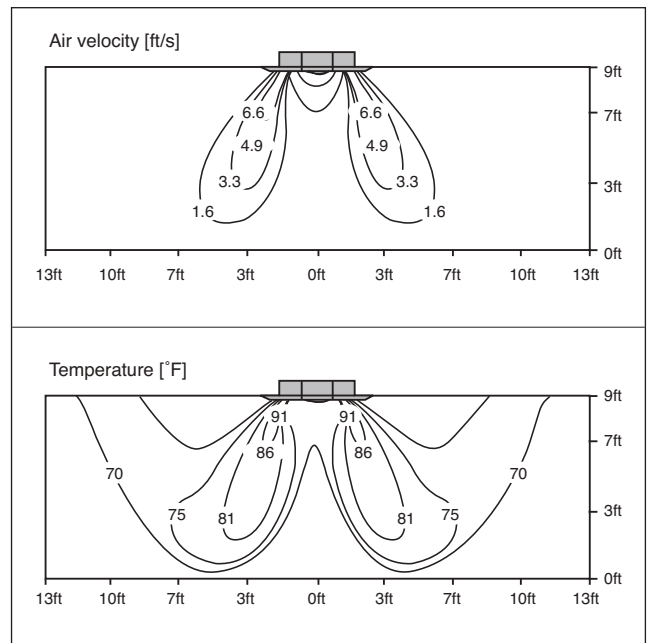
### Cooling

Discharge angle : 40°



### Heating

Discharge angle : 50°

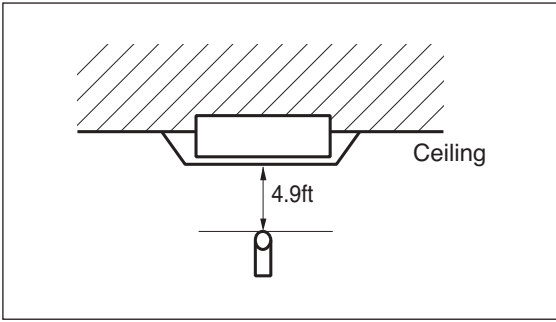


Part 2 Product data\_Inoor units

# MULTI ZONE

## 8. Sound levels

### Overall



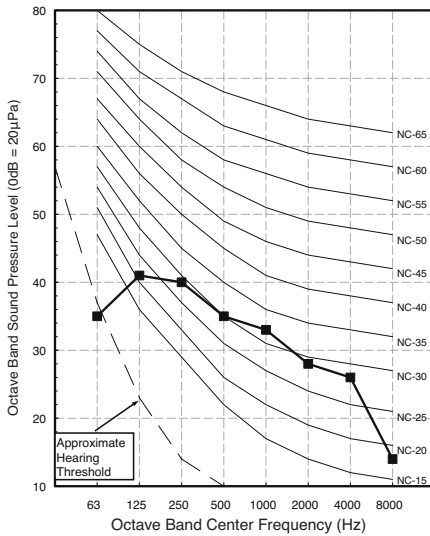
#### Notes:

- Sound measured at 4.9ft away from the unit.
- Data is valid at free field condition.
- Data is valid at nominal operation condition.
- Reference acoustic pressure  $0\text{dB}=20\mu\text{Pa}$ .
- Sound level will vary depending on a range of factors such as the construction (acoustic absorption coefficient) of particular room in which the equipment is installed.
- The operating conditions are assumed to be standard.

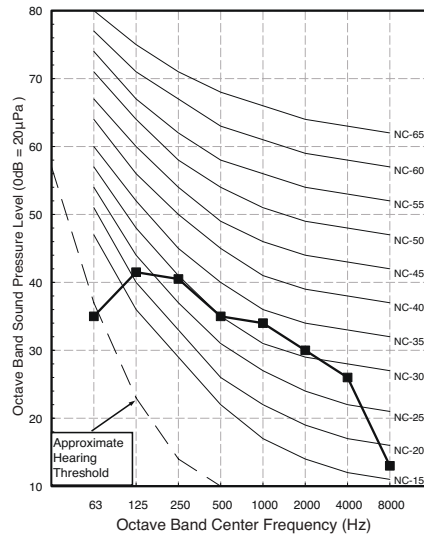
Model	Sound Level [dB(A)]		
	H	M	L
MC12Y3JM	38	35	32
MC18Y3JM	38	37	34

### Sound pressure level

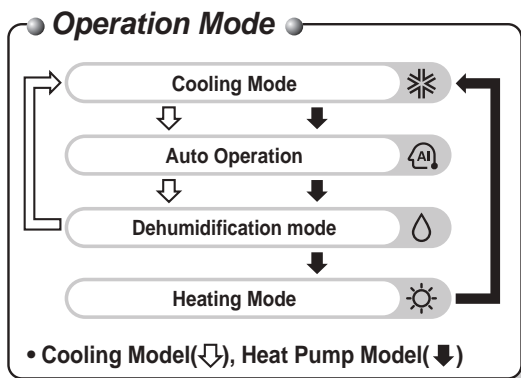
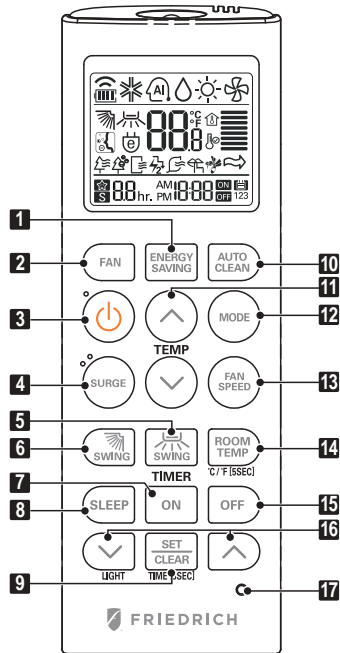
MC12Y3JM



MC18Y3JM



### Wireless remote controller



**NOTE**

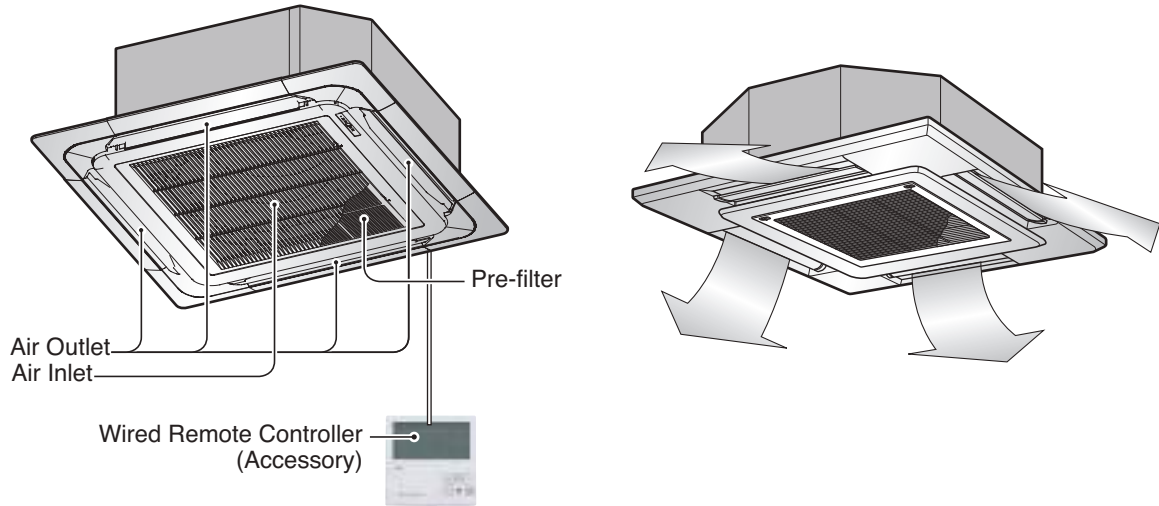
\* Some functions may not be operated and displayed depending on the product type.

1. **ENERGY SAVING Button**  
Used to set or clear Energy saving.
2. **FAN Button**  
Used to select Fan mode.
3. **ON/OFF Button**  
Used to turn on/off the unit.
4. **SURGE Button**  
Speed cooling operates super high fan speed.
5. **LEFT/RIGHT AIRFLOW Button (OPTIONAL)**  
Used to set the desired left/right(horizontal) airflow direction.
6. **UP/DOWN AIRFLOW Button**  
Used to stop or start louver movement and set the desired up/down airflow direction.
7. **ON TIMER Button**  
Used to set the time of starting operation.
8. **SLEEP TIMER Button**  
Used to set the time of sleeping operation.
9. **SET / CLEAR Button**  
Used to set/clear the timer.  
Used to set the current time(if it input for 3sec.)
10. **AUTO CLEAN Button**  
Used to set or clear Auto clean.
11. **ROOM TEMPERATURE SETTING Button**  
Used to select the room temperature.
12. **OPERATION MODE SELECTION Button**  
Used to select the operation mode.
13. **INDOOR FAN SPEED SELECTION Button**  
Used to select fan speed in four steps low, medium, high and chaos.
14. **ROOM TEMPERATURE CHECKING Button**  
Used to check the room temperature.
15. **OFF TIMER Button**  
Used to set the time of stopping operation.
16. **TIMER SETTING(Up/Down)/LIGHT Button**  
Used to set the timer.  
Used to adjust the brightness.(if it is not time adjust mode)
17. **RESET Button**  
Used to reset the remote controller.

# MULTI ZONE

## 10. Installation

- Please read the instruction sheets completely before installing the product.
- When the power cord is damaged, replacement work shall be performed by authorized personnel only.
- Installation work must be performed in accordance with the national wiring standards by authorized personnel only.

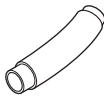






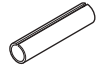



### 10.1 Accessories

Check whether the following accessories are included with your unit.

#### 1) Standard accessories

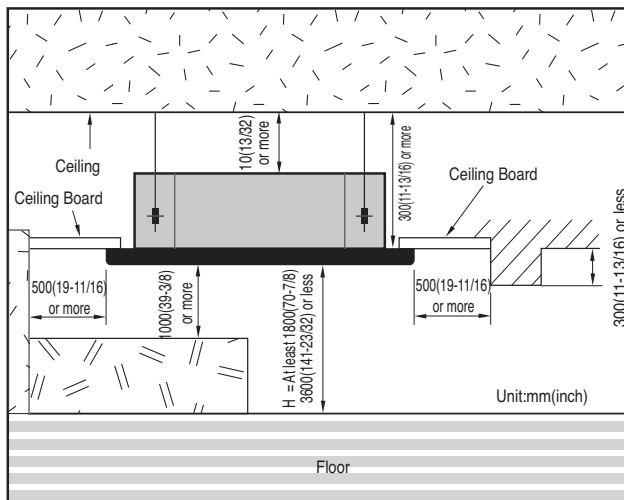
##### [Ceiling Cassette Type]

Name	Drain hose	Clamp metal	Washer for hanging bracket	Clamp	Conduit Bracket	Insulation for fitting	Remote control holder
Quantity	1 EA	1 EA	8 EA	8 EA	1 EA	1 SET	1 EA
Shape					 Conduit Bracket  Screw(M4) 2EA	 for gas pipe  for liquid pipe	

## 10. Installation

### 10.2 Selection of the best location

- There should not be any heat source or steam near the unit.
- There should not be any obstacles to the air circulation.
- There should be provision of easy condensate drain.
- Taking into accounting the noise prevention criteria, spot the installation location.
- Do not install the unit near the door way.
- Keep proper distances, of the unit, from ceiling, fence, floor, walls and other obstacles as shown in figure.
- The indoor unit must have the maintenance space.  
(See installation manual)



#### NOTE

Above figure means minimum value. Please keep these value at least.

#### • High Ceiling mode selection

Unit : mm(inch)

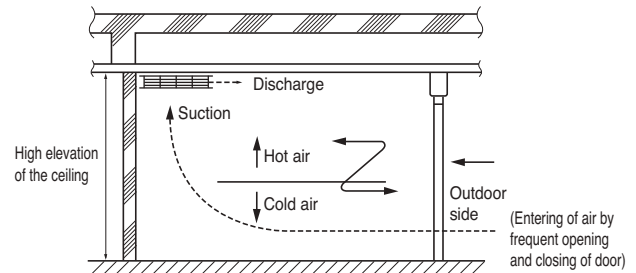
No	Ceiling Height (H)	Mode Selection
1	$H \leq 2300(90-9/16)$	Low Ceiling
2	$2300(90-9/16) < H \leq 2700(106-5/16)$	Standard
3	$2700(106-5/16) < H \leq 3100(122-1/16)$	High Ceiling
4	$3100(122-1/16) < H \leq 3600(141-23/32)$	Super High Ceiling

### 10.3 Precautions regarding cassette indoor unit installation

#### 1) Main points about the indoor installation

##### - In case of high height ceiling

In general commercial places and offices though the height of the ceiling is 2.3m(7.54ft)~2.7m(8.86ft), the ceiling height can be 3.1m(10.2ft)~3.6m(11.8ft). In such cases because of the temperature difference with the floor the heating effect can fall down.

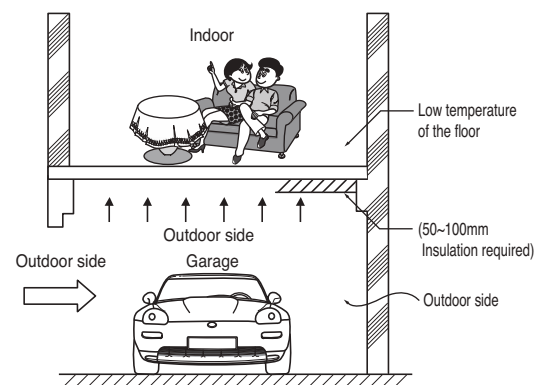


##### - Countermeasure method

- ① Air conditioner must be able to operate in high ceiling conditioner.
- ② Plan to install the circulator.
- ③ The air discharge port is made to give more airflow to the down wood directions.
- ④ The gate or exit of the building is protected by dual door system.

#### 2) In case the floor or surfaces of the place to be air conditioned is in direct contact with the outdoor air

- The floor of the heating room indirect contact with the storeroom, garage or the outside air receives the cold air at the floor and the floor temperature decrease will feel cold at the feet.



In such places where the feet comes in direct contact with floors will give a cold feeling to the floor.

# MULTI ZONE

## 10. Installation

### - Countermeasure:

- Use the carpet on the floor (compared to the tiles the carpet over it will have a 3 degree rise in temperature)
- Insulating the floor.
- Floor heating

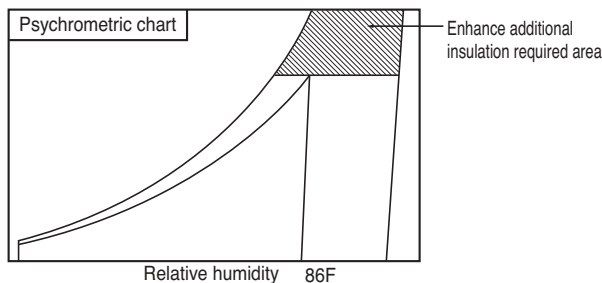
### CAUTION

#### • Case of cold air intake:

The duct surface will have the dew drops so a insulation on the duct is a must.(Insulation material: a glass wool of thickness 1.0inch will be appropriate.)

### 3) In case of high temperature or high humidity between the false ceiling and ceiling slab(near by the sea, river, lake, spa)

- If the installation space is high temperature or high humidity (30 °C (86°F) and RH 80%), the units body as well as the piping insulation should be strengthened. (insulation at least 12/32 inch in thickness) Refer to the picture given below.

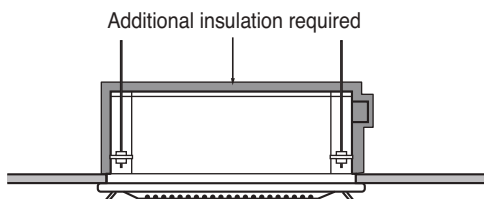


### - Places having the temperature and humidity of the surrounding water sources(sea, river etc.)

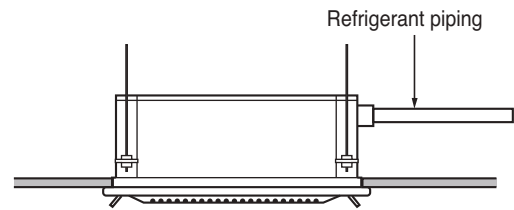
In case the steam is generated between the false ceiling and the ceiling slab

Due to some nearby by steam source.

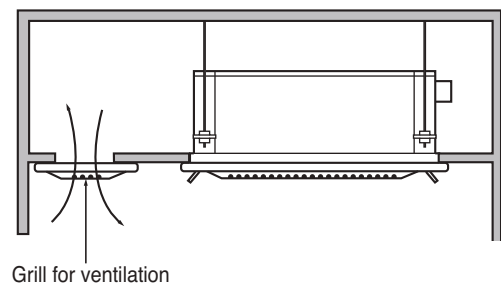
- Indoor unit: Insulate the unit body with some insulation like glass wool at least 13/32 inch in thickness.



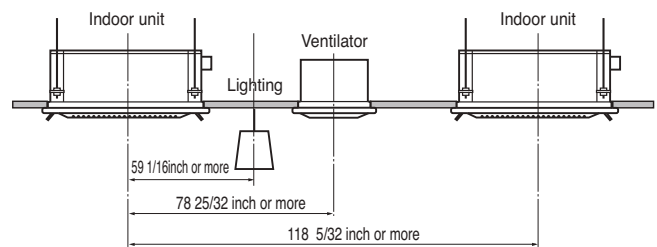
- Refrigerant piping: Increase the piping insulation thickness with thickness above 13/16 inch.



- Others: Inside the ceiling near th air tight seal places (To escape of the humidity inside false ceiling)



### 4) In case of multiple indoor cassette units (recommended)

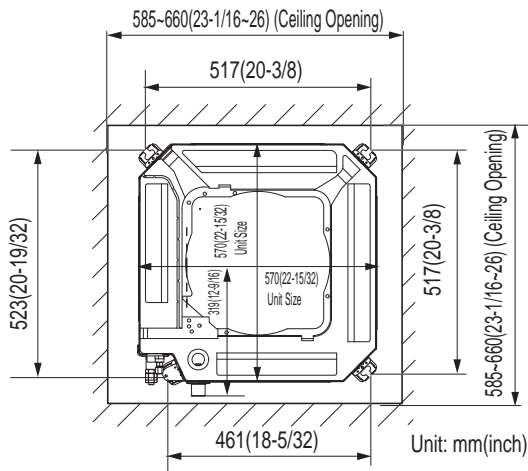


# MULTI ZONE

## 10. Installation

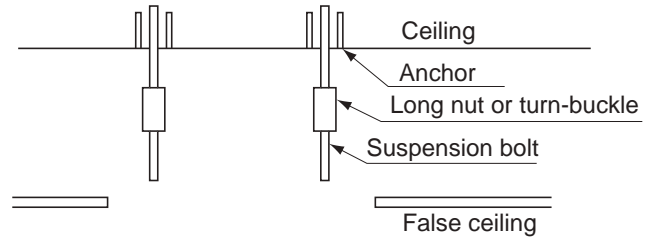
### 10.4 Ceiling opening dimensions and hanging bolt location

- ① The dimensions of the paper pattern for installation are the same as those of the ceiling opening dimensions.
- ② Select and mark the position for fixing bolts and piping hole.
- ③ Decide the position for fixing bolts slightly tilted to the drain direction after considering the direction of drain hose.
- ④ Drill the hole for anchor bolt on the wall.



### 1) Install the suspension bolts.

(Use either a W3/8" or M10 size bolt) Use a hole-in anchor for existing ceilings, and a sunken insert, sunken anchor or other field supplied parts for new ceilings to reinforce the ceiling to bear the weight of the unit. Adjust clearance from the ceiling before proceeding further.



#### NOTE

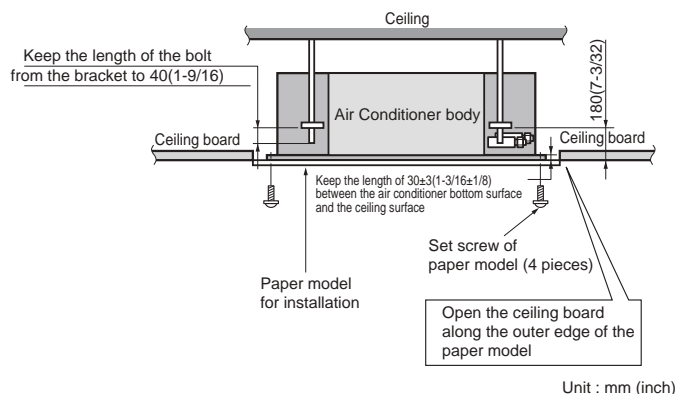
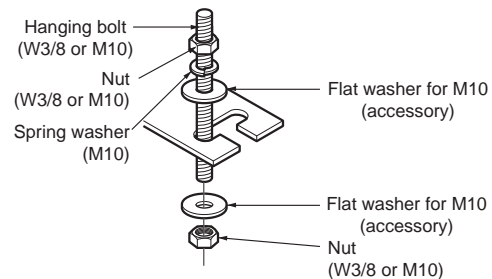
All the above parts are field supplied.

### 10.5 Indoor unit installation

- Installing of the accessories (except for the decoration panel) before installing the indoor unit is easier.

#### 1) Install the indoor unit.

- Attach the hanger bracket to the suspension bolt. Be sure to fix it securely by using a nut and washer from the upper and lower sides of the hanger bracket.



# MULTI ZONE

## 10. Installation

- The following parts are local purchasing.
- Hanging Bolt - W 3/8 or M10
- Nut - W 3/8 or M10
- Spring Washer - M10
- Plate Washer - M10

### 2) For new ceilings

#### ① Refer to the paper pattern for ceiling opening dimension.

- The center of the ceiling opening is indicated on the paper pattern for installation.  
The center of the unit is indicated on the label attached to the unit and on the paper pattern for installation.
- First remove paper packaging material from the 4 corners of the paper pattern for installation, fix the paper pattern to the unit with screws.
- Ceiling height is shown on the side of the paper pattern for installation. Adjust the height of the unit according to this indication.

#### <Ceiling work>

#### ② Adjust the unit to the right position for installation.

#### ③ Assure that the unit is horizontal.

- The indoor unit is equipped with a built-in drain pump and float switch. At each of the unit's 3 corners, verify that it is level by using a water-level or a water-filled vinyl tube. (Otherwise it will result in the malfunctioning of unit and cause water to drip.)

#### ④ Remove the washer fixing plate used for preventing the washer from falling and tighten the upper nut.

#### 5) Remove the paper pattern for installation

### 3) For existing ceilings

- ① Adjust the height and position of the unit.
- ② Perform steps 3 and 4 in "5.1 For new ceilings".

## 10.6 Connecting pipes to the indoor unit

### 1) Refrigerant piping work

Please refer installation manual

### 2) Piping insulation

- ① Perform heat insulation work completely on both gas and the liquid pipe. Because improper insulation will result condensate formation over pipe.
- ② Use the heat insulation material for the refrigerant piping which has an excellent heat resistance (over 248°F).
- ③ Precautions in high humidity circumstance:
- ④ Refer to insulation work

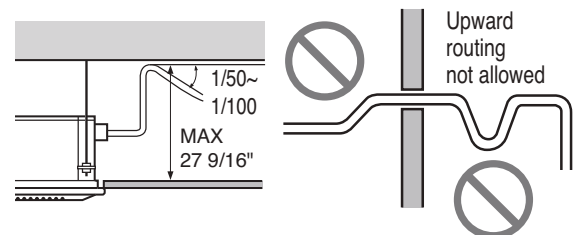
#### ⚠ CAUTION

- Make sure to insulate any field piping all the way to the piping connection inside the unit. Any exposed piping may cause condensation or burns if touched.

### 3) Indoor unit drain piping

- Drain piping must have downward (1/50 to 1/100): be sure not to provide up-and-down slope to prevent reverse flow.
- During drain piping connection, be careful not to exert extra force on the drain port on the indoor unit.
- The outside diameter of the drain connection on the indoor unit is 1 1/4".

Piping material: Polyvinyl chloride pipe 1" and pipe fittings



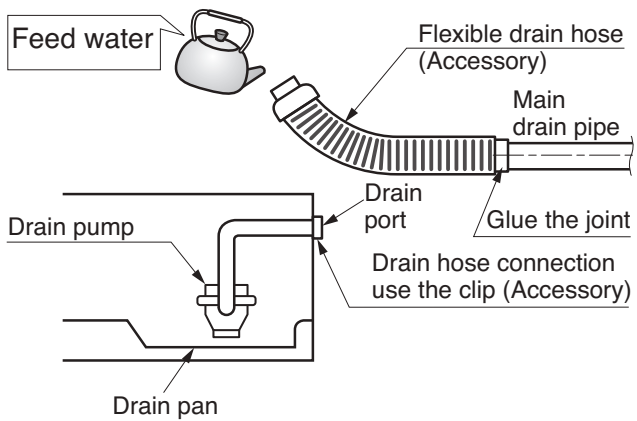
# MULTI ZONE

## 10. Installation

- Be sure to install heat insulation on the drain piping.

Heat insulation material: Polyethylene foam with thickness more than 13/32".

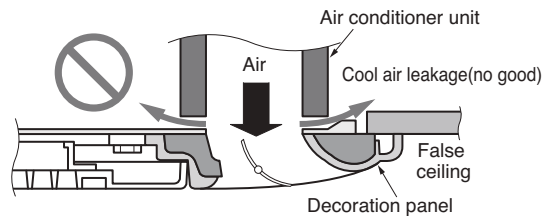
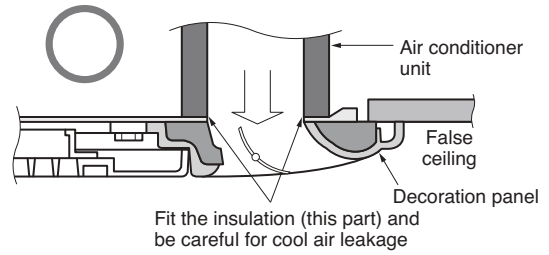
### 4) Drain test



### 10.7 Installation of decoration panel

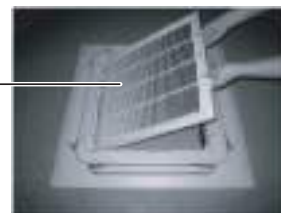
#### ⚠ CAUTION

- Properly install decoration panel because any slit or gab between unit and decoration panel will result cool air leakage which may responsible for water dribbling.



1. Remove the packing and take out air inlet grille from front panel.

Front grille



2. Remove the Corner covers of the panel.

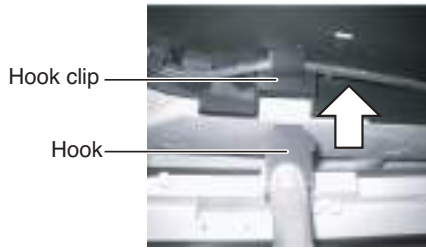
Coner cover



# MULTI ZONE

## 10. Installation

3. Fit the panel on the unit by inserting hooks as shown in picture.



4. Insert two screws on diagonal corners of panel. Do not tighten the bolts completely. (The fixing screws are included in the indoor unit box.)

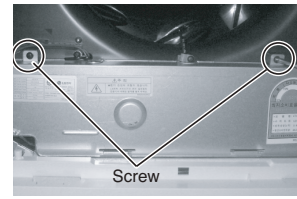
Check the alignment of panel with the ceiling. Height can be adjusted using hanging bolts as shown in picture. Insert the other two screws and tighten all screws completely.



5. Fit the corner covers.

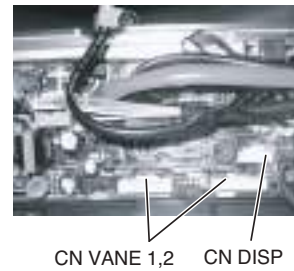


6. Open two screws of control panel cover.

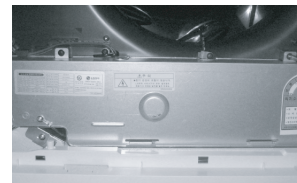


7. Connect one display connector and two vane control connectors of front panel to indoor unit PCB.

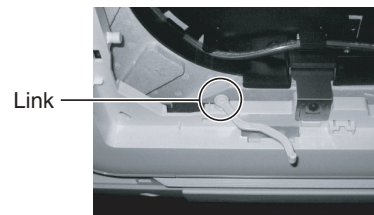
The position marking on PCB is as:  
Display connector : CN-DISP  
Vane control connector: CN-VANE 1,2



8. Close the cover for control box.



9. Fit the link on the panel as shown in picture. (The link is included in the front panel unit box.)



10. Attach the other side of link on the filter guide of inlet grille. Install the air inlet grille and filter on the panel.



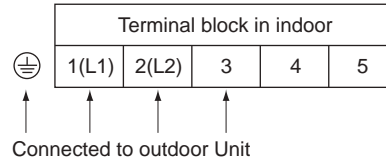
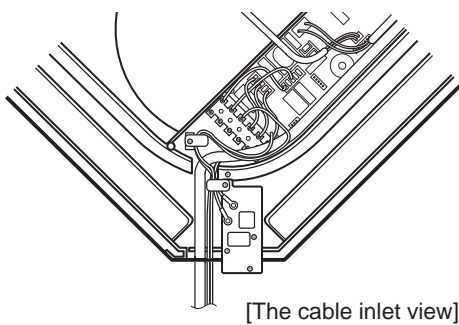
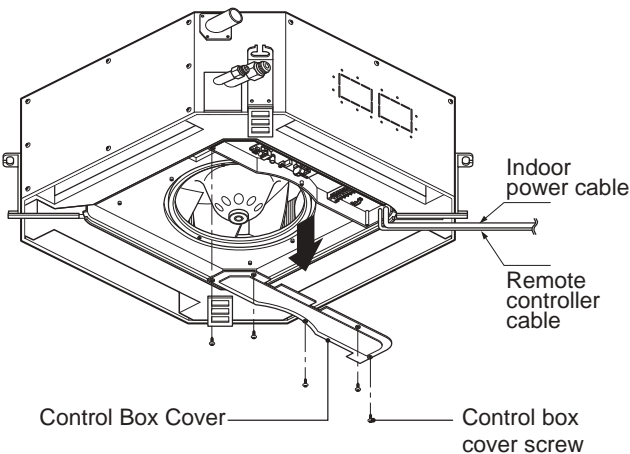
### 10.8 Electric wiring work

#### 1) General instructions

- ① All field supplied parts and materials, electric works must conform to local codes.  
Use copper wire only.
- ② Follow the "WIRING DIAGRAM" attached to the unit body to wire the outdoor unit, indoor units and the remote controller.
- ③ All wiring must be performed by an authorized electrician.
- ④ This system consists of multiple indoor units. Mark each indoor unit as unit A, unit B..., and be sure the terminal board wiring to the outdoor unit and indoor units are properly matched. If wiring and piping between the outdoor unit and an indoor units are mismatched, the system may cause a malfunction.
- ⑤ A circuit breaker capable of shutting down the power supply to the entire system must be installed.

#### 2) Wiring Connection

- ① Open the control box cover and connect the Remote controller cord and Indoor power wires.



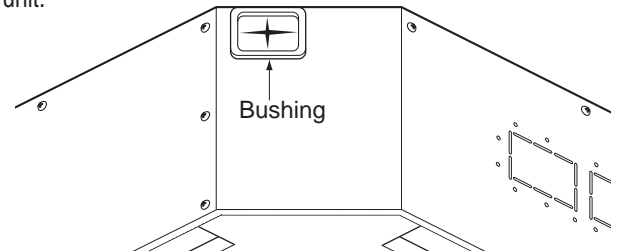
- ② Make sure to attach the sealing material (field supplied) to hole of wiring to prevent the infiltration of foreign particle from outside. Otherwise a short-circuit may occur inside the electric parts box
- ③ When clamping the wires, be sure no pressure is applied to the wire connections by using the included clamping material to make appropriate clamps. Also, when wiring, make sure the cover on the electric parts box fits snugly by arranging the wires neatly and attaching the electric parts box cover firmly. When attaching the electric parts box cover, make sure no wires get caught in the edges. Pass wiring through the holes to prevent damage to them.
- ④ Make sure the remote controller wiring, the wiring between the units, and other electrical wiring do not pass through the same locations outside of the unit, separating them properly, otherwise electrical noise (external static) could cause product malfunction.

#### ⚠ WARNING

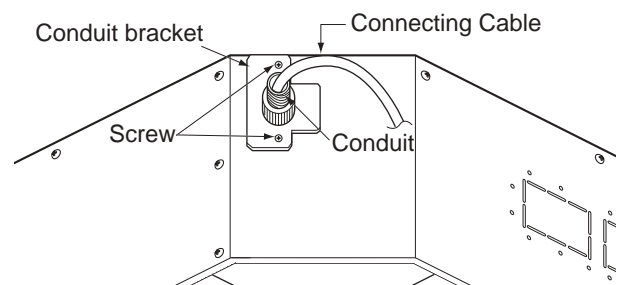
- Make sure that the screws of the terminal are not loose.

#### 3) Conduit connection

- ① Remove the bushing rubber product attached on the indoor unit.



- ② Join the conduit and the conduit bracket together using nut.
- ③ Set the connecting cable into the terminal block of indoor unit, and tighten set screw to lock the conduit bracket to the indoor unit.



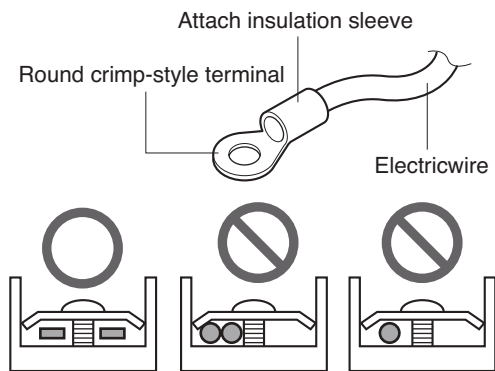
# MULTI ZONE

## 10. Installation

### NOTE

#### 1. Use round crimp-style terminals for connecting wires to the power supply terminal block. If unavailable, observe the following points when wiring.

- Do not connect wires of different gauge to the same power supply terminal. (Loose connection may cause overheating.)
- Use the specified electric wire. Connect the wire securely to the terminal. Lock the wire down without applying excessive force to the terminal.



Connect wires of the same gauge to both sides

#### 3. Do not connect wires of different gauge to the same grounding terminal. Loose connection may deteriorate protection.

#### 4. At the unit, keep proper separation between transmissio and power supply wiring.

The equipment may malfunction if subjected to electrical (external) noise.

#### 5. Never connect power supply wiring to the terminal block for remote controller wiring. A mistake of the sort could damage the entire system.

#### 6. Use only specified wire and tightly connect wires to terminals. Be careful that wires should not place external stress on terminals. Keep wiring in neat order and so as not to obstruct other equipment such as popping open the electric parts box cover. Make sure the cover closes tight.

Loose connections could result in overheating, and in worst case, electric shock or fire.

#### 2. Tightening torque for the terminal screws.

- Use the correct screwdriver for tightening the terminal screws. If the blade of screwdriver is too small, the head of the screw might be damaged, and the screw will not be properly tightened.
- If the terminal screws are tightened too hard, screws might be damaged.

# MULTI ZONE

## **Ceiling concealed duct - Low static pressure**

- 1. List of functions**
- 2. Specifications**
- 3. Dimensions**
- 4. Piping diagrams**
- 5. Wiring Diagrams**
- 6. Capacity Tables**
- 7. External Static Pressure (E.S.P) & Air Flow**
- 8. Sound levels**
- 9. Controller**
- 10. Installation**

# MULTI ZONE

## 1. List of functions

Category	Function	MD09Y3JM MD12Y3JMA MD18Y3JMA
Air flow	Air supply outlet	1
	Airflow direction control (left & right)	X
	Airflow direction control (up & down)	X
	Auto swing (left & right)	X
	Auto swing (up & down)	X
	Airflow steps (fan/cool/heat)	3 / 3 / 3
	Chaos wind(auto wind)	X
	Surge (cool/heat)	X / X
	Swirl wind	X
Air purifying	Triple filter (Deodorizing)	X
	Plasma air purifier	X
	Allergy Safe filter	X
	Long-life prefilter (washable / anti-fungus)	O
Installation	Drain pump	O
	E.S.P. control*	O
	Electric heater	X
	High ceiling operation	X
Reliability	Auto Elevation Grille	X
	Hot start	O
	Self diagnosis	O
	Soft dry operation	O
Convenience	Auto changeover	X
	Auto cleaning	X
	Auto operation(artificial intelligence)	O
	Auto Restart	O
	Child lock*	O
	Forced operation	X
	Group control*	O
	Sleep mode	X
	Timer(on/off)	X
	Timer(weekly)	X
Two thermistor control*	O	
Individual control	Wired remote controller	DWC1
	Deluxe wired remote controller	X
	Simple wired remote controller	O
	Simple Wired remote controller(for hotel use)	X
	Wireless remote controller*	X
Network function	Dry contact	X
	PI 485(for Indoor Unit)	X
Special function kit	Zone controller	X
	CTI(Communication transfer interface)	X
	Electronic thermostat	X
Others	Remote temperature sensor	X
	Group control wire	X
	Telecom shelter controller	X

### Note :

1. \* : These functions need to connect the wired remote controller.

O : Applied, x : Not applied

Accessory model name : Installed at field, ordered and purchased separately by the corresponding model name, supplied with separate package.

# MULTI ZONE

## 2. Specifications

Model Name				MD09Y3JM	MD12Y3JMA	MD18Y3JMA
Power Supply			V, Ø, Hz	208/230, 1, 60	208/230, 1, 60	208/230, 1, 60
Capacity	Cooling	Nominal	Btu/h	9,000	12,000	18,000
	Heating	Nominal	Btu/h	10,400	13,800	20,800
Casing Color			-	-	-	-
Dimensions	Body	W x H x D	mm	700 x 190 x 700	900 x 190 x 700	900 x 190 x 700
		W x H x D	inch	27-9/16 x 7-15/32 x 27-9/16	35-7/16 x 7-15/32 x 27-9/16	35-7/16 x 7-15/32 x 27-9/16
Net Weight	Body		kg (lbs)	17.5 (38.6)	23.0 (50.7)	23.0 (50.7)
Heat Exchanger	(Row x Column x Fins per inch) x No.		-	(2 x 11 x 14) x 1	(2 x 11 x 18) x 1	(2 x 11 x 18) x 1
	Face Area		m <sup>2</sup> (ft <sup>2</sup> )	0.12 (1.32)	0.17 (1.81)	0.17 (1.81)
Fan	Type		-	Sirocco	Sirocco	Sirocco
	Air Flow Rate (Factory set)	H / M / L	m <sup>3</sup> /min	9.0 / 7.0 / 5.5	10.0 / 8.5 / 7.0	15.0 / 12.5 / 10.0
		H / M / L	ft <sup>3</sup> /min	318 / 247 / 194	353 / 300 / 247	530 / 441 / 353
		External Static Pressure	mmAq(in.Aq)	2.45(0.1)	2.45(0.1)	2.45(0.1)
Fan Motor	Type		-	BLDC	BLDC	BLDC
	Output		W x No.	19 x 1	(19 x 1) + (5 x 1)	19 x 1 + 5 x 1
	Running Current		A	0.4	0.8	0.8
Sound Pressure Level		H / M / L	dB(A)	30 / 26 / 23	31 / 28 / 27	36 / 34 / 31
Piping Connections	Liquid		mm(inch)	6.35 (1/4)	6.35 (1/4)	6.35 (1/4)
	Gas		mm(inch)	9.52 (3/8)	9.52 (3/8)	12.7 (1/2)
	Drain (O.D. / I.D.)		mm(inch)	32.0(1-1/4) / 25.0(1)	32.0(1-1/4) / 25.0(1)	32.0(1-1/4) / 25.0(1)
Safety Devices			-	Fuse	Fuse	Fuse
			-	Thermal Protector for Fan Motor	Thermal Protector for Fan Motor	Thermal Protector for Fan Motor
Power and Communication Cable (included Earth)			No. x AWG	4C x 14 / 18	4C x 14 / 18	4C x 14 / 18

### Note :

1. Wiring cable size must comply with the applicable local and national code.
2. Due to our policy of innovation some specifications may be changed without notification.
3. Sound Level Values are measured at Anechoic chamber.  
Therefore, these values can be increased owing to ambient conditions during operation.
4. Acceptable operating voltage: 187V-253V

3. Dimensions

MD09Y3JM  
MD12Y3JMA  
MD18Y3JMA

(unit: inch)

	A	B	C	D
MD09Y3JM	30-15/32	27-9/16	28-27/32	25-31/32
MD12Y3JMA MD18Y3JMA	38-11/32	35-7/16	36-23/32	33-27/32

(unit : inch)

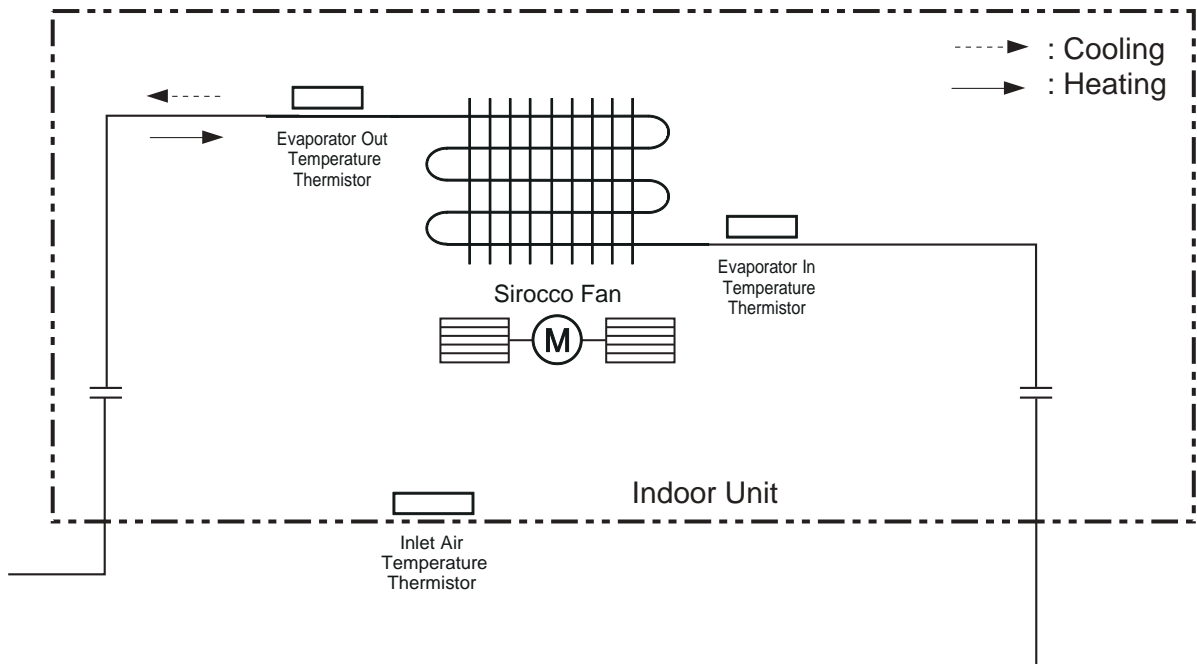
Number	Name	Description
1	Liquid pipe connection	
2	Gas pipe connection	
3	Drain pipe connection	
4	Power supply connection	
5	Air discharge	
6	Air suction	

Note  
 1. Unit should be installed in compliance with the installation manual in the product box.  
 2. Unit shall be grounded in accordance with the local regulations or applicable national codes.

# MULTI ZONE

## 4. Piping diagrams

Models: MD09Y3JM



Description	PCB Connector
Inlet Air Temperature Thermistor	CN-ROOM
Evaporator In Temperature Thermistor	CN-PIPE/IN
Evaporator Out Temperature Thermistor	CN-PIPE/OUT

### ■ Refrigerant pipe connection port diameters

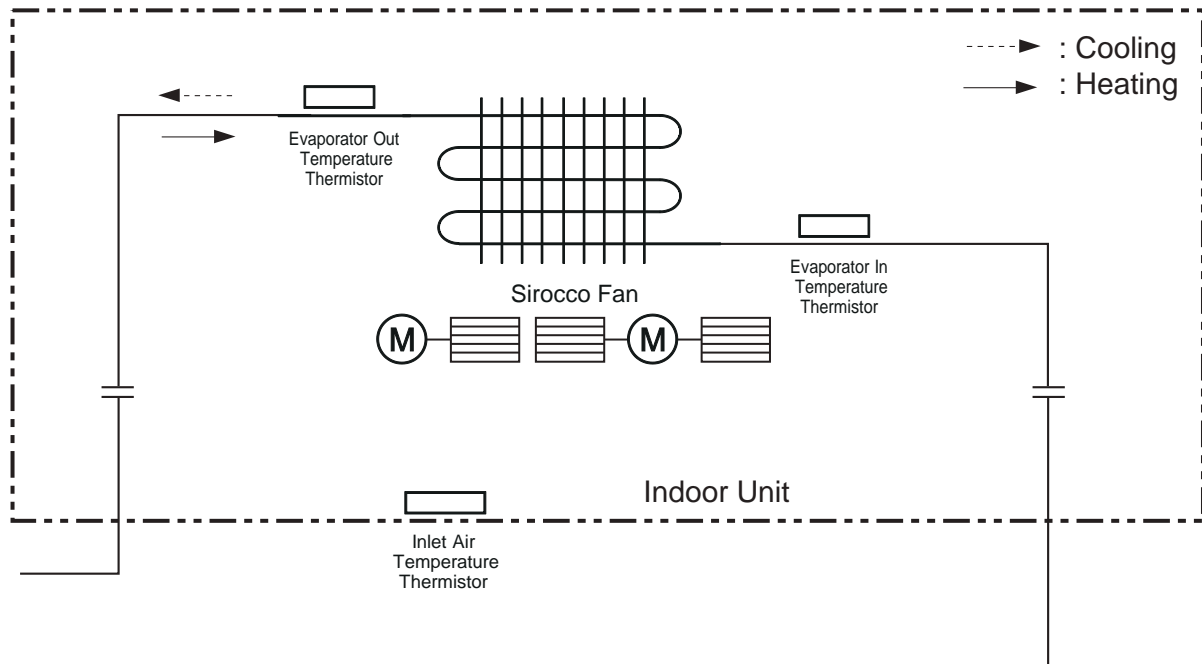
Unit : mm(inch)

Model	Gas	Liquid
MD09Y3JM	Ø9.52(3/8)	Ø6.35(1/4)

# MULTI ZONE

## 4. Piping diagrams

Models : MD12Y3JMA / MD18Y3JMA



Description	PCB Connector
Inlet Air Temperature Thermistor	CN-ROOM
Evaporator In Temperature Thermistor	CN-PIPE/IN
Evaporator Out Temperature Thermistor	CN-PIPE/OUT

### Refrigerant pipe connection port diameters

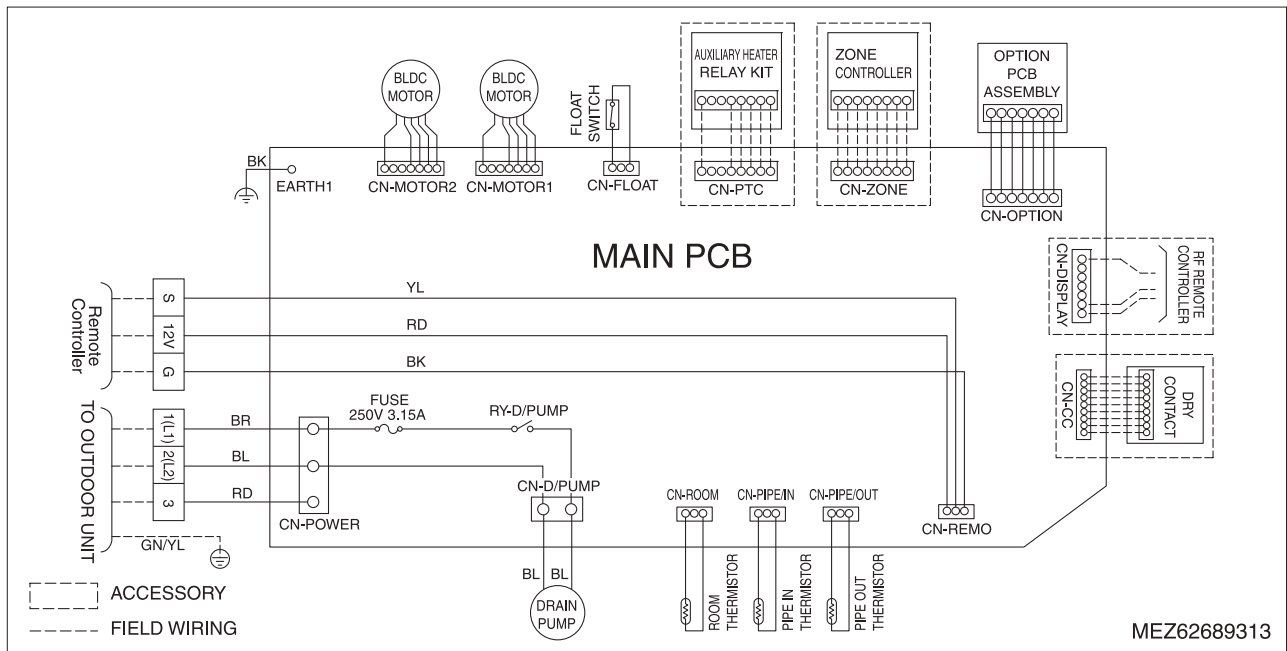
Unit : mm(inch)

Model	Gas	Liquid
MD12Y3JMA	Ø9.52(3/8)	Ø6.35(1/4)
MD18Y3JMA	Ø12.7(1/2)	

# MULTI ZONE

## 5. Wiring diagrams

Models: MD09Y3JM / MD12Y3JMA / MD18Y3JMA



Part 2 Product data\_Indoor units

# MULTI ZONE

## 6. Capacity Tables

### ■ Cooling Capacity

**Cooling Capacity**

Unit Size (kBtu/h(kW))	Outdoor air temp. °F DB	Indoor Air Temp.: °FDB / °FWB											
		68 / 57		73 / 61		77 / 64		80 / 67		86 / 72		90 / 75	
		TC	SHC	TC	SHC	TC	SHC	TC	SHC	TC	SHC	TC	SHC
9 (2.64)	14	8.82	7.55	9.37	7.98	9.92	7.72	10.31	7.89	11.01	7.95	11.56	8.10
	20	8.82	7.61	9.36	8.04	9.91	7.78	10.31	7.95	11.01	8.01	11.55	8.17
	25	8.81	7.67	9.36	8.10	9.90	7.84	10.30	8.01	11.00	8.08	11.54	8.23
	30	8.80	7.73	9.35	8.16	9.90	7.90	10.29	8.07	10.99	8.14	11.54	8.29
	35	8.80	7.79	9.34	8.22	9.89	7.96	10.28	8.13	10.98	8.20	11.53	8.36
	40	8.79	7.84	9.33	8.29	9.88	8.02	10.27	8.19	10.97	8.26	11.52	8.42
	45	8.78	7.90	9.33	8.35	9.87	8.08	10.27	8.25	10.96	8.32	11.51	8.48
	50	8.78	7.96	9.32	8.41	9.87	8.14	10.26	8.31	10.96	8.38	11.50	8.54
	55	8.77	8.02	9.31	8.47	9.86	8.20	10.25	8.38	10.95	8.45	11.49	8.61
	60	8.76	8.08	9.31	8.53	9.85	8.26	10.24	8.44	10.94	8.51	11.48	8.67
	65	8.76	8.14	9.30	8.59	9.84	8.32	10.24	8.50	10.93	8.57	11.47	8.73
	70	8.75	8.19	9.29	8.66	9.84	8.38	10.23	8.56	10.92	8.63	11.47	8.79
	75	8.54	8.06	9.08	8.52	9.62	8.26	10.01	8.44	10.71	8.53	11.25	8.69
	80	8.33	7.92	8.87	8.39	9.41	8.14	9.80	8.33	10.49	8.42	11.03	8.59
	85	8.12	7.78	8.66	8.25	9.20	8.02	9.59	8.20	10.28	8.30	10.82	8.48
	90	7.91	7.63	8.45	8.10	8.99	7.89	9.37	8.08	10.06	8.19	10.60	8.37
	95	7.68	7.55	8.22	8.03	8.75	7.83	9.00	7.90	9.83	8.14	10.36	8.34
	100	7.50	7.35	8.03	7.83	8.57	7.64	8.88	7.78	9.64	7.97	10.17	8.16
105	7.31	7.15	7.84	7.63	8.38	7.45	8.77	7.66	9.45	7.79	9.99	7.99	
110	7.12	6.90	7.66	7.38	8.19	7.22	8.58	7.43	9.26	7.57	9.80	7.77	
115	6.94	6.69	7.47	7.17	8.01	7.03	8.39	7.24	9.08	7.39	9.61	7.60	
118	6.82	6.65	7.36	7.13	7.89	7.00	8.28	7.21	8.96	7.37	9.50	7.58	
122	6.79	6.63	7.32	7.11	7.86	6.98	8.24	7.19	8.93	7.36	9.46	7.57	
12 (3.52)	14	11.76	9.94	12.49	10.50	13.22	10.17	13.75	10.38	14.69	10.47	15.42	10.67
	20	11.75	10.02	12.48	10.58	13.21	10.25	13.74	10.46	14.67	10.55	15.40	10.75
	25	11.75	10.09	12.48	10.66	13.20	10.33	13.73	10.54	14.66	10.63	15.39	10.83
	30	11.74	10.17	12.47	10.75	13.19	10.40	13.72	10.62	14.65	10.71	15.38	10.92
	35	11.73	10.25	12.46	10.83	13.18	10.48	13.71	10.70	14.64	10.79	15.37	11.00
	40	11.72	10.33	12.45	10.91	13.17	10.56	13.70	10.79	14.63	10.88	15.36	11.08
	45	11.71	10.40	12.44	10.99	13.16	10.64	13.69	10.87	14.62	10.96	15.35	11.16
	50	11.70	10.48	12.43	11.07	13.15	10.72	13.68	10.95	14.61	11.04	15.33	11.25
	55	11.69	10.56	12.42	11.15	13.14	10.80	13.67	11.03	14.60	11.12	15.32	11.33
	60	11.68	10.63	12.41	11.23	13.13	10.88	13.66	11.11	14.59	11.20	15.31	11.41
	65	11.67	10.71	12.40	11.31	13.12	10.96	13.65	11.19	14.57	11.28	15.30	11.49
	70	11.66	10.79	12.39	11.40	13.11	11.03	13.64	11.27	14.56	11.36	15.29	11.58
	75	11.38	10.61	12.11	11.22	12.83	10.88	13.35	11.12	14.27	11.22	15.00	11.45
	80	11.10	10.43	11.82	11.05	12.55	10.72	13.07	10.96	13.99	11.08	14.71	11.31
	85	10.83	10.24	11.54	10.86	12.26	10.55	12.78	10.80	13.70	10.93	14.42	11.17
	90	10.55	10.04	11.26	10.67	11.98	10.38	12.50	10.63	13.42	10.78	14.13	11.02
	95	10.25	9.94	10.96	10.57	11.67	10.30	12.00	10.40	13.10	10.72	13.81	10.97
	100	10.00	9.67	10.71	10.31	11.42	10.06	11.84	10.24	12.85	10.49	13.56	10.75
105	9.75	9.41	10.46	10.04	11.17	9.81	11.69	10.08	12.60	10.26	13.31	10.52	
110	9.50	9.09	10.21	9.72	10.92	9.51	11.44	9.78	12.35	9.97	13.07	10.24	
115	9.25	8.81	9.96	9.44	10.67	9.26	11.19	9.53	12.10	9.73	12.82	10.00	
118	9.10	8.75	9.81	9.39	10.52	9.21	11.04	9.49	11.95	9.70	12.67	9.98	
122	9.05	8.73	9.76	9.37	10.48	9.19	10.99	9.47	11.90	9.69	12.62	9.97	

**Notes:**

- Capacities are based on the following conditions.  
Corresponding refrigerant piping length is accordance with standard length of each outdoor units.  
Level difference : 0ft
- TC : Total Capacity (kBtu/h), SHC: Sensible Heat Capacity(kBtu/h)
- indicates reference data.  
When operating at this temperature, these values can be different by discontinuous operation.
- Capacities indicated in the above tables are based on unlimited refrigerant flow.

# MULTI ZONE

## 6. Capacity Tables

### Cooling Capacity

Unit Size (kBtu/h(kW))	Outdoor air temp. °F DB	Indoor Air Temp.: °FDB / °FWB											
		68 / 57		73 / 61		77 / 64		80 / 67		86 / 72		90 / 75	
		TC	SHC	TC	SHC	TC	SHC	TC	SHC	TC	SHC	TC	SHC
18 (5.28)	14	17.65	13.09	18.74	13.83	19.84	13.39	20.63	13.67	22.03	13.79	23.12	14.05
	20	17.63	13.20	18.73	13.94	19.82	13.50	20.61	13.78	22.01	13.90	23.11	14.16
	25	17.62	13.30	18.71	14.05	19.81	13.60	20.60	13.89	22.00	14.01	23.09	14.27
	30	17.60	13.40	18.70	14.16	19.79	13.71	20.58	13.99	21.98	14.11	23.07	14.38
	35	17.59	13.50	18.68	14.26	19.78	13.81	20.57	14.10	21.96	14.22	23.05	14.49
	40	17.58	13.60	18.67	14.37	19.76	13.91	20.55	14.21	21.94	14.33	23.04	14.60
	45	17.56	13.71	18.66	14.48	19.75	14.02	20.53	14.31	21.93	14.43	23.02	14.71
	50	17.55	13.81	18.64	14.58	19.73	14.12	20.52	14.42	21.91	14.54	23.00	14.82
	55	17.54	13.91	18.63	14.69	19.72	14.23	20.50	14.52	21.89	14.65	22.98	14.92
	60	17.52	14.01	18.61	14.80	19.70	14.33	20.49	14.63	21.88	14.75	22.97	15.03
	65	17.51	14.11	18.60	14.90	19.69	14.43	20.47	14.74	21.86	14.86	22.95	15.14
	70	17.50	14.21	18.58	15.01	19.67	14.53	20.46	14.84	21.84	14.97	22.93	15.25
	75	17.08	13.98	18.16	14.78	19.24	14.33	20.03	14.64	21.41	14.78	22.50	15.08
	80	16.66	13.74	17.74	14.55	18.82	14.12	19.60	14.44	20.98	14.60	22.06	14.90
	85	16.24	13.49	17.32	14.30	18.40	13.90	19.17	14.23	20.55	14.40	21.63	14.71
	90	15.82	13.23	16.90	14.06	17.97	13.68	18.75	14.01	20.12	14.20	21.20	14.52
	95	15.37	13.09	16.44	13.93	17.51	13.57	18.00	13.70	19.65	14.12	20.72	14.46
	100	14.99	12.74	16.06	13.58	17.13	13.25	17.77	13.49	19.28	13.82	20.35	14.16
105	14.62	12.39	15.69	13.23	16.76	12.93	17.53	13.28	18.90	13.52	19.97	13.86	
110	14.24	11.97	15.32	12.80	16.39	12.53	17.16	12.88	18.53	13.13	19.60	13.48	
115	13.87	11.61	14.94	12.44	16.01	12.19	16.79	12.55	18.15	12.82	19.22	13.18	
118	13.65	11.53	14.72	12.36	15.79	12.13	16.56	12.50	17.93	12.77	19.00	13.14	
122	13.57	11.50	14.64	12.34	15.71	12.11	16.49	12.48	17.85	12.76	18.92	13.13	

#### Notes:

- Capacities are based on the following conditions.  
Corresponding refrigerant piping length is accordance with standard length of each outdoor units.  
Level difference : 0ft
- TC : Total Capacity (kBtu/h), SHC: Sensible Heat Capacity(kBtu/h)
- indicates reference data.  
When operating at this temperature, these values can be different by discontinuous operation.
- Capacities indicated in the above tables are based on unlimited refrigerant flow.

**6. Capacity Tables**

**■ Heating Capacity**

**Heating capacity**

Unit Size (kBtu/h(kW))	Outdoor Air Temp.		Indoor Air Temp.: °FDB					
			61	64	68	70	72	75
	°F DB	°F WB	TC	TC	TC	TC	TC	TC
9 (2.64)	0	-0.4	5.35	5.28	5.23	5.20	5.12	4.90
	5	4.5	6.03	5.95	5.90	5.88	5.80	5.58
	10	9	6.71	6.63	6.58	6.56	6.48	6.26
	17	15	7.61	7.54	7.49	7.46	7.39	7.14
	20	19	7.95	7.88	7.83	7.80	7.72	7.46
	25	23	8.52	8.44	8.39	8.37	8.29	7.99
	30	28	9.01	8.93	8.88	8.86	8.78	8.52
	35	32	9.50	9.42	9.37	9.34	9.27	9.04
	40	36	9.94	9.86	9.81	9.78	9.71	9.48
	45	41	10.37	10.30	10.25	10.22	10.15	9.92
	47	43	10.55	10.48	10.43	10.40	10.32	10.10
	50	46	10.72	10.64	10.59	10.57	10.49	10.24
	55	51	11.00	10.93	10.88	10.85	10.78	10.48
	60	56	11.00	10.93	10.88	10.85	10.78	10.52
63	59	11.00	10.93	10.88	10.85	10.78	10.55	
68	64	11.00	10.93	10.88	10.85	10.78	10.60	
12 (3.52)	0	-0.4	7.10	7.00	6.93	6.90	6.80	6.50
	5	4.5	8.00	7.90	7.83	7.80	7.70	7.40
	10	9	8.90	8.80	8.73	8.70	8.60	8.30
	17	15	10.10	10.00	9.93	9.90	9.80	9.48
	20	19	10.55	10.45	10.38	10.35	10.25	9.90
	25	23	11.30	11.20	11.13	11.10	11.00	10.60
	30	28	11.95	11.85	11.78	11.75	11.65	11.30
	35	32	12.60	12.50	12.43	12.40	12.30	12.00
	40	36	13.18	13.08	13.02	12.98	12.88	12.58
	45	41	13.77	13.67	13.60	13.57	13.47	13.17
	47	43	14.00	13.90	13.83	13.80	13.70	13.40
	50	46	14.23	14.13	14.06	14.03	13.93	13.59
	55	51	14.60	14.50	14.43	14.40	14.30	13.90
	60	56	14.60	14.50	14.43	14.40	14.30	13.96
63	59	14.60	14.50	14.43	14.40	14.30	14.00	
68	64	14.60	14.50	14.43	14.40	14.30	14.06	
18 (5.28)	0	-0.4	10.70	10.55	10.45	10.40	10.25	9.80
	5	4.5	12.06	11.91	11.81	11.76	11.61	11.15
	10	9	13.41	13.26	13.16	13.11	12.96	12.51
	17	15	15.22	15.07	14.97	14.92	14.77	14.29
	20	19	15.90	15.75	15.65	15.60	15.45	14.92
	25	23	17.03	16.88	16.78	16.73	16.58	15.98
	30	28	18.01	17.86	17.76	17.71	17.56	17.03
	35	32	18.99	18.84	18.74	18.69	18.54	18.09
	40	36	19.87	19.72	19.62	19.57	19.42	18.97
	45	41	20.75	20.60	20.50	20.45	20.30	19.85
	47	43	21.10	20.95	20.85	20.80	20.65	20.20
	50	46	21.44	21.29	21.19	21.14	20.99	20.48
	55	51	22.01	21.86	21.75	21.70	21.55	20.95
	60	56	22.01	21.86	21.75	21.70	21.55	21.04
63	59	22.01	21.86	21.75	21.70	21.55	21.10	
68	64	22.01	21.86	21.75	21.70	21.55	21.20	

**Notes:**

1. Capacities are based on the following conditions.  
Corresponding refrigerant piping length is accordance with standard length of each outdoor units.  
Level difference : 0ft
2. TC : Total Capacity (kBtu/h)
3. Capacities indicated in the above tables are based on unlimited refrigerant flow.

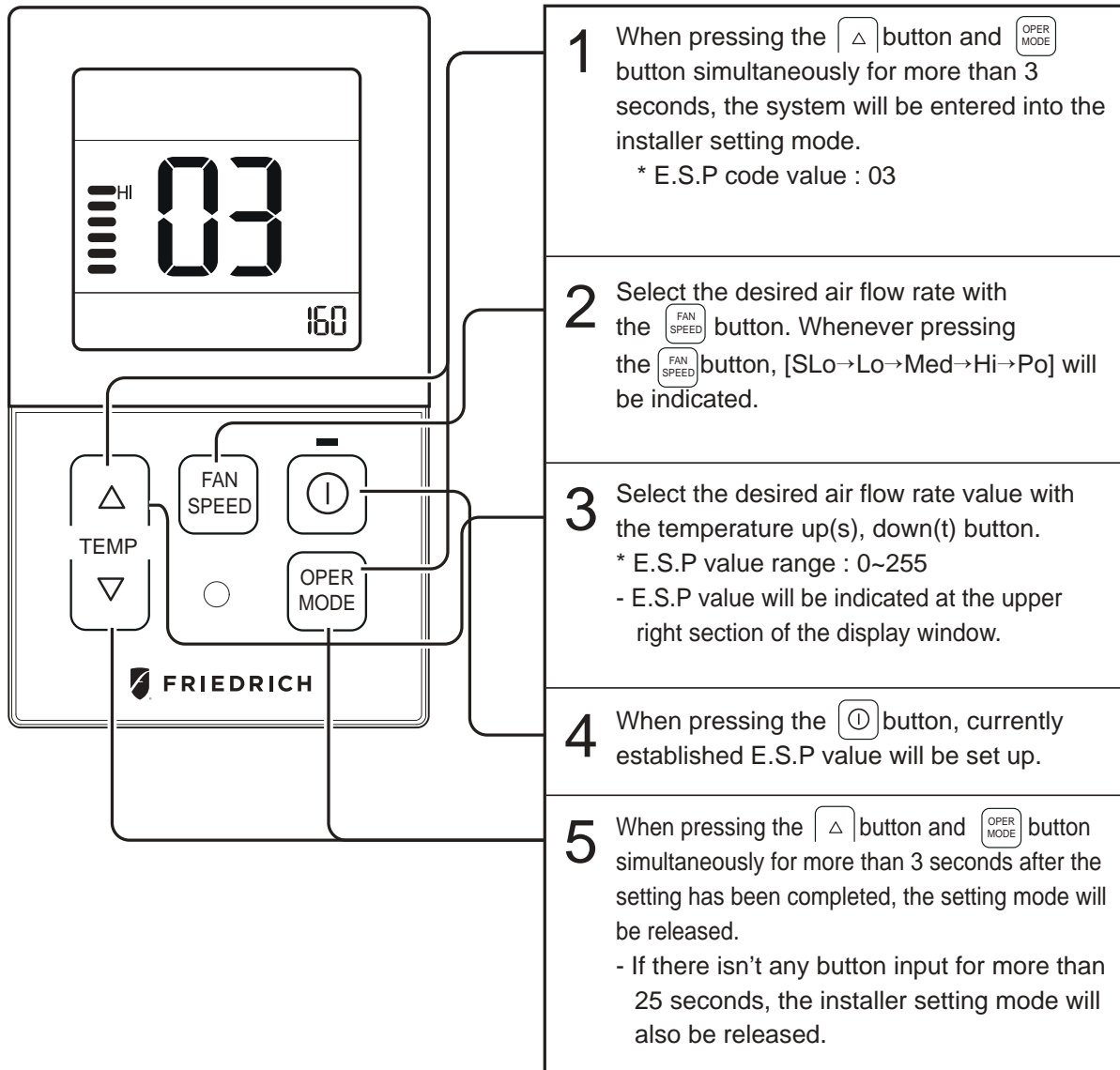
## MULTI ZONE

### 7. External Static Pressure (E.S.P) & Air Flow

#### How to Set E.S.P. on the remote controller?

This is the function that decides the strength of the wind for each wind level and because this function is to make the installation easier.

- If you set ESP incorrectly, the air conditioner may malfunction.
- This setting must be carried out by a certificated-technician.



- Precaution shall be taken not to alter the E.S.P value corresponded to each air flow section.
- E.S.P value can be varied according to the products.
- In the case of going to the next air flow rate stage by pressing the fan-speed button during the setup of the E.S.P value, the E.S.P value of previous air flow rate will be maintained by remembering the E.S.P value prior to the shift.

## MULTI ZONE

### 7. External Static Pressure (E.S.P) & Air Flow

#### E.S.P. setting value (reference)

Model Names	Step	CFM	Static Pressure(mmAq(in.Aq))					
			0(0)	1(0.04)	2(0.08)	3(0.12)	4(0.16)	5(0.2)
			Setting Value					
MD09Y3JM	HIGH	318	98	103	108	116	123	130
	MID	247	82	88	94	102	110	118
	LOW	194	69	76	83	91	99	109
MD12Y3JMA	HIGH	353	95	99	104	109	116	124
	MID	300	86	91	96	101	108	116
	LOW	247	78	82	87	93	100	108
MD18Y3JMA	HIGH	530	123	125	129	134	141	145
	MID	441	109	112	117	123	129	136
	LOW	353	95	99	104	109	116	124

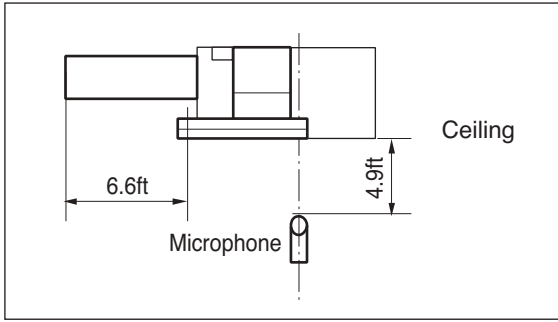
#### [ Notes ]

1. To get the desired Airflow & E.S.P. combination from the table set the matching value from the table. Value other than that in table will not give the combinations of airflow & E.S.P. which are mentioned in the table.
2. Table data is based at 230V. According to the fluctuation of voltage, air flow rate varies.

# MULTI ZONE

## 8. Sound levels

### Overall



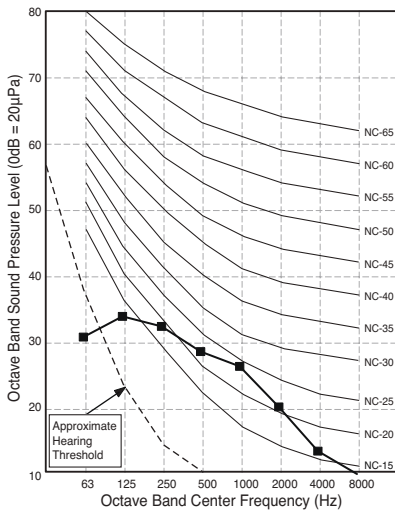
#### Notes:

- Data is valid at nominal operation condition
- Reference acoustic pressure  $0\text{dB}=20\mu\text{Pa}$
- Sound level will vary depending on a range of factors such as the construction (acoustic absorption coefficient) of particular room in which the equipment is installed.
- The operating conditions are assumed to be standard.

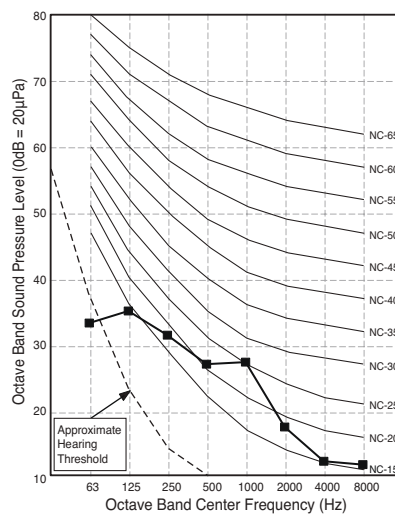
Model	Sound Level [dB(A)]		
	H	M	L
MD09Y3JM	30	26	23
MD12Y3JMA	31	28	27
MD18Y3JMA	36	34	31

### Sound pressure level

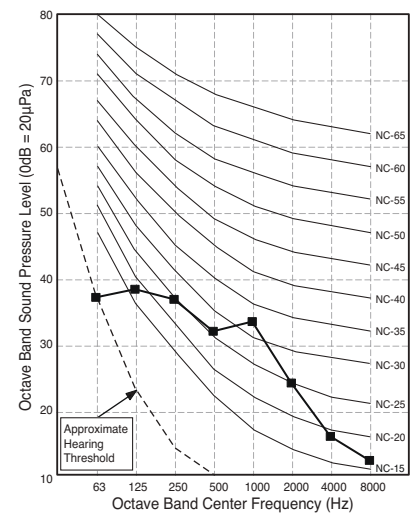
MD09Y3JM

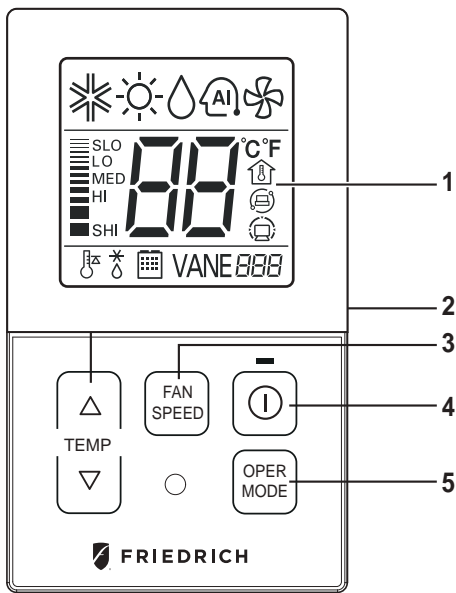


MD12Y3JMA



MD18Y3JMA





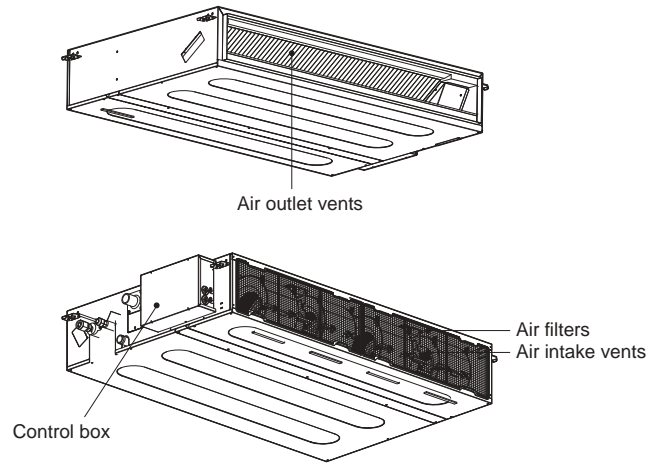
1. Operation Display Panel
2. Temperature Control Button
3. Fan Speed Button
4. On/Off Button
5. Operation Mode select Button

- \* Each function will be shown on the display panel for three seconds or so when the power is applied at first.
- \* Please refer to controller manual for more information

# MULTI ZONE

## 10. Installation

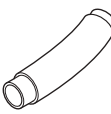

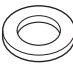
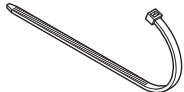


- Please read the instruction sheets completely before installing the product.
- When the power cord is damaged, replacement work shall be performed by authorized personnel only.
- Installation work must be performed in accordance with the national wiring standards.



### 10.1 Accessories

Check the following accessories are included with your unit.

#### 1) Standard accessories

Name	Drain hose	Clamp metal	Washer for hanging bracket	Clamp (Tie Wrap)	Insulation for fitting	Other
Quantity	1 EA	2 EA	8 EA	4 EA	1 set	
Shape					 for gas pipe  for liquid pipe	<ul style="list-style-type: none"> <li>• Owner's manual</li> <li>• Installation manual</li> </ul>

- Screws for fixing panels are attached to decoration panel.

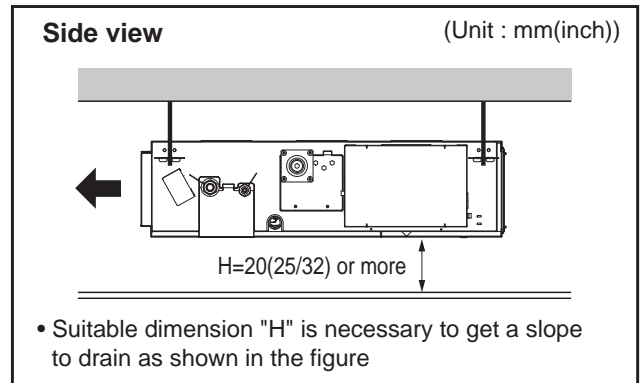
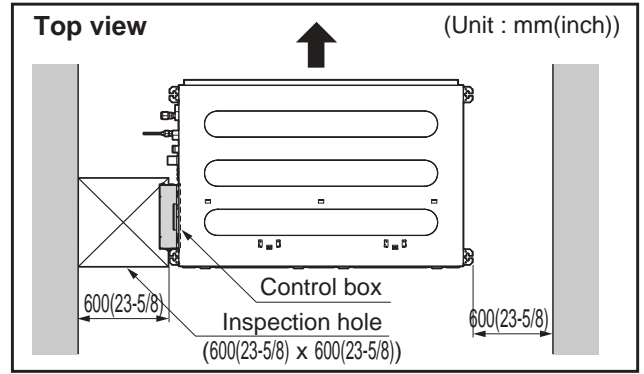
# MULTI ZONE

## 10. Installation

### 10.2 Selection of the best location

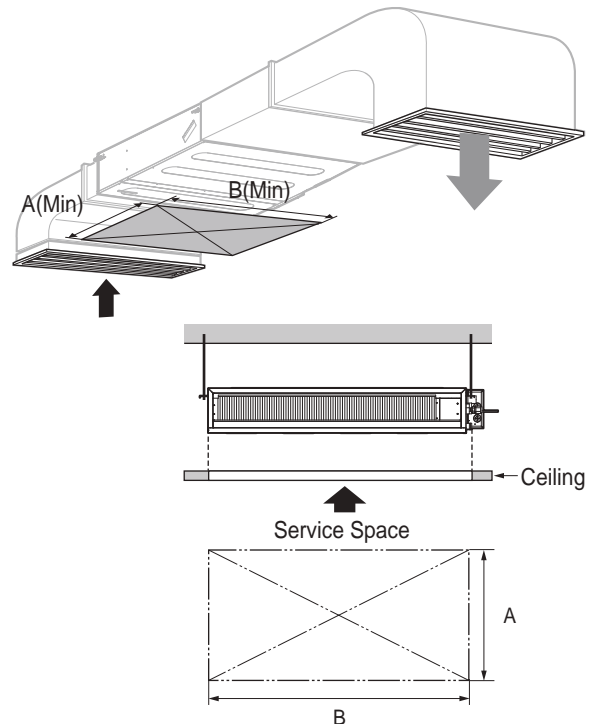
Install the air conditioner in the location that satisfies the following conditions.

- The place shall easily bear a load exceeding four times the indoor unit's weight.
- The place shall be able to inspect the unit as given in the figure.
- The place where the unit shall be leveled.
- The place shall allow easy water drainage.  
(Suitable dimension "H" is necessary to get a slope to drain as figure.)
- The place shall easily connect with the outdoor unit.
- The place where the unit is not affected by an electrical noise.
- The place where air circulation in the room will be good .
- There should not be any heat source or steam near the unit.
- The servicing inspection hole in the ceiling should be as large as the product.
- The selection of the servicing hole should be approved by the customer.



mm(inch)

Capacity (kBtu/h)	A	B
9	800(31-1/2)	800(31-1/2)
12/18	800(31-1/2)	1000(39-3/8)



**10.3 Ceiling dimension and hanging bolt location and service space**

**Installation of Unit**

Install the unit above the ceiling correctly.

**CASE 1**

**Position of suspension Bolt**

- Apply a joint-canvas between the unit and duct to absorb unnecessary vibration.
- Install the unit leaning to a drainage hole side as a figure for easy water drainage.

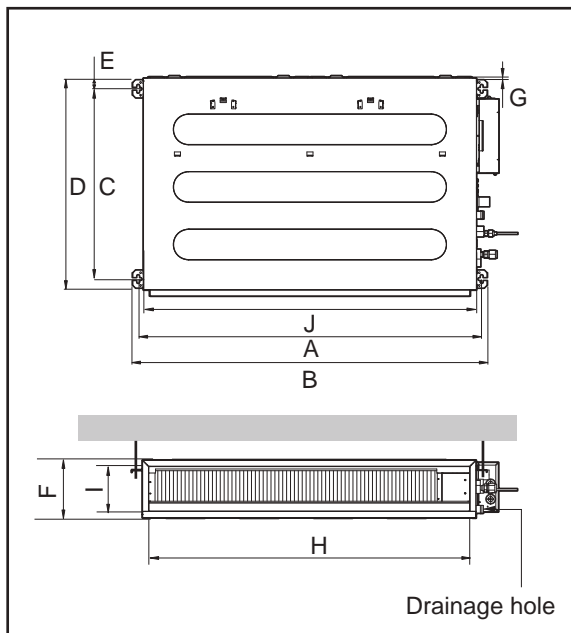
**CASE 2**

**Position of console Bolt**

- A place where the unit will be leveled and that can support the weight of the unit.
- A place where the unit can withstand its vibration.
- A place where service can be easily performed.

(Unit : mm(inch))

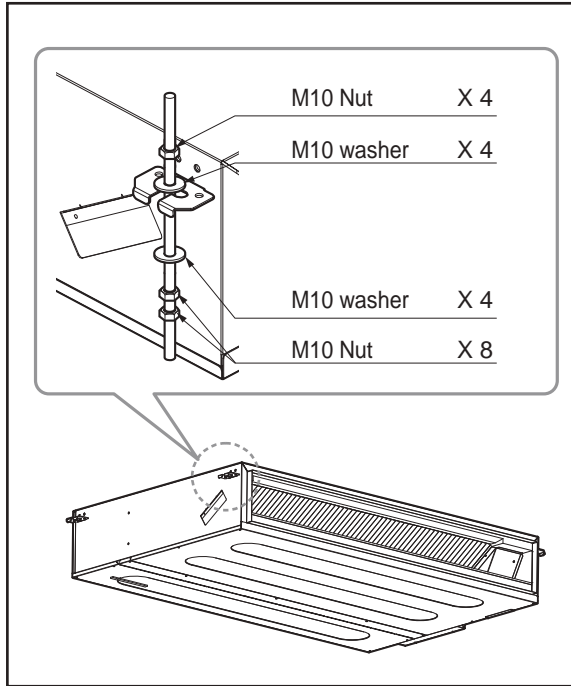
Dimension Capacity	A	B	C	D	E	F	G	H	I	J
9 kBtu/h	733(28-27/32)	772(30-13/32)	628(24-23/32)	700(27-9/16)	36(1-13/32)	190(7-15/32)	20(25/32)	660(25-31/32)	155(6-3/32)	700(27-9/16)
12/18 kBtu/h	933(36-23/32)	972(38-9/32)	628(24-23/32)	700(27-9/16)	36(1-13/32)	190(7-15/32)	20(25/32)	860(33-27/32)	155(6-3/32)	900(35-7/16)



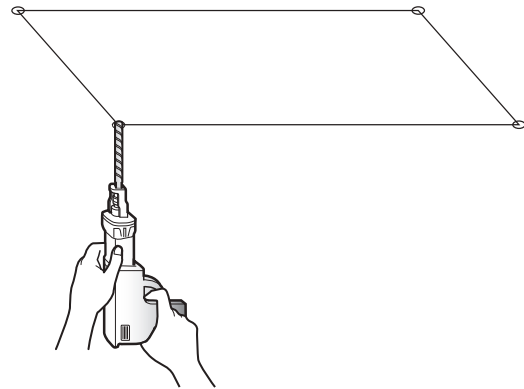
## 10. Installation

### 10.4 Position of suspension bolt

- ① A place where the unit will be leveled and that can support the weight of the unit.
- ② A place where the unit can withstand its vibration.
- ③ A place where service can be easily performed.



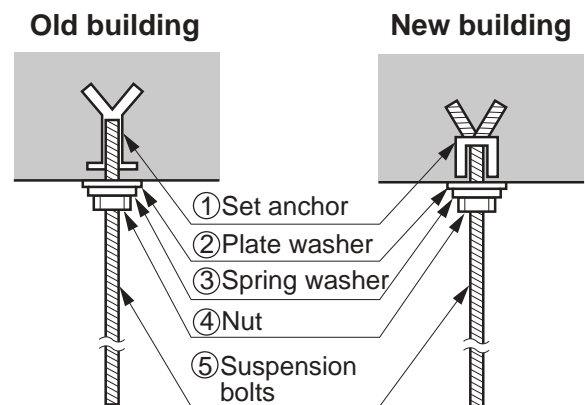
- ④ Select and mark the position for fixing bolts.
- ⑤ Drill the hole for set anchor on the face of ceiling.



#### CAUTION

- Tighten the nut and bolt to prevent the unit falling.

- ⑥ Insert the set anchor and washer onto the suspension bolts for locking the suspension bolts on the ceiling.
- ⑦ Mount the suspension bolts to the set anchor firmly.
- ⑧ Secure the installation plates onto the suspension bolts (adjust level roughly) using nuts, washers and spring washers.



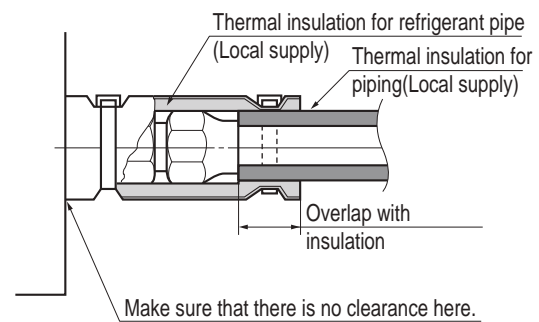
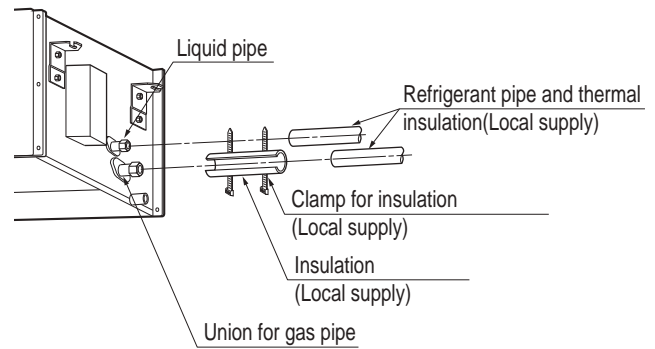
### 10.5 Connecting pipes to the indoor unit

#### 1) Refrigerant piping work

Please refer to installation manual.

#### 2) Piping insulation

- ① Perform heat insulation work completely on both gas and the liquid pipe. Because improper insulation will result condensate formation over pipe.  
Use the heat insulation material for the refrigerant piping which has an excellent heat resistance (over 248°F).
- ② Precautions in high humidity circumstance: This air conditioner has been tested according to the "KS Conditions" and confirmed that there is not any default. However, if it is operated for a long time in high humid atmosphere (dew point temperature: more than 73°F), water drops are liable to fall. In this case, add heat insulation material according to the following procedure:
- ③ Heat insulation material : Adiabatic glass wool with thickness 13/32 to 13/16 inch.
- ④ Stick glass wool on all air conditioners that are located in ceiling atmosphere.



#### CAUTION

- Make sure to insulate any field piping all the way to the piping connection inside the unit. Any exposed piping may cause condensation or burns if touched.

# MULTI ZONE

## 10. Installation

### 3) Indoor unit drain piping

- ① Drain piping must have down-slope (1/50 to 1/100): be sure not to provide up-and-down slope to prevent reversal flow.
- ② During drain piping connection, be careful not to exert extra force on the drain port on the indoor unit.
- ③ The outside diameter of the drain connection on the indoor unit is 1 1/4 inch.

**Piping material:** Polyvinyl chloride pipe inner diameter Ø1 inch and pipe fittings

#### ⚠ CAUTION

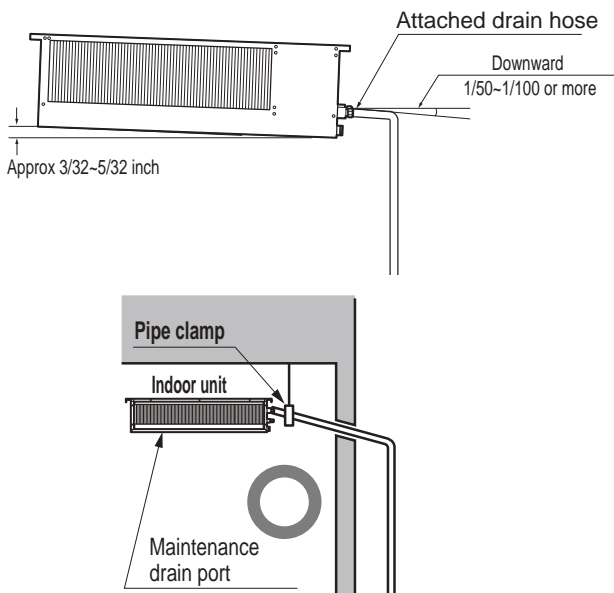
1. Decline Installation of indoor unit is very important for the drain of the duct type air conditioner.
2. Minimum thickness of the insulation for the connecting pipe should be 7/32 inch.

### 4) Caution for gradient of unit and drain piping

#### - Without drain pump:

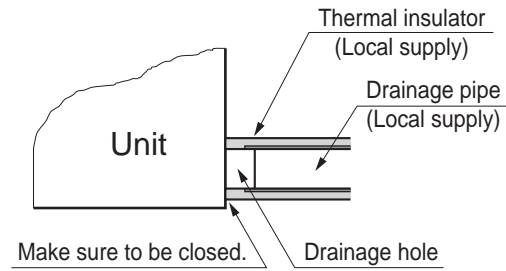
- Always lay the drain with downward inclination (1/50 to 1/100). Prevent any upward flow or reverse flow in any part.
- 7/32 inch or thicker formed thermal insulation shall always be provided for the drain pipe.

#### Correct method

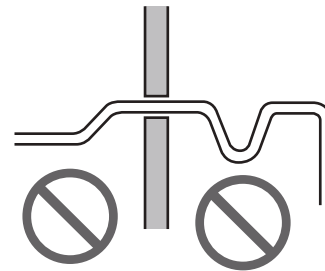


\* U-trap is not required for low static model in which the external static pressure is below 50 pa(5mm Aq)

- Lay the drain hose with a downware inclination so water will drain out.

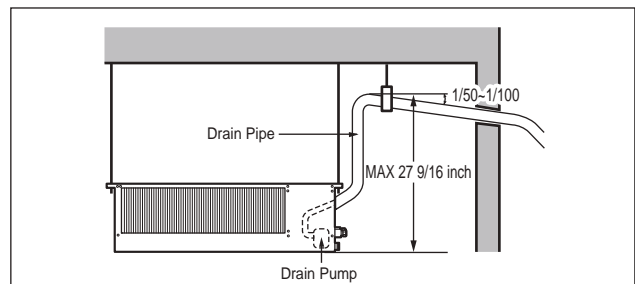


#### Wrong method

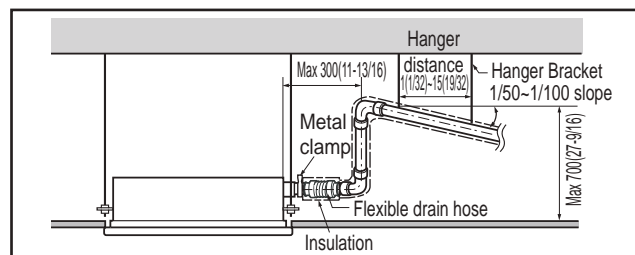


#### - With drain pump

- ① Possible drain head height is upto 27 6/19 inch. So the drain head should be below 27 6/19 inch.
- ② Keep the drain hose downward upto 1/50~1/100 inclination. Prevent any upward flow or reverse flow in any part.
- ③ 7/32 inch or thicker insulation should be provided for the drain pipe.

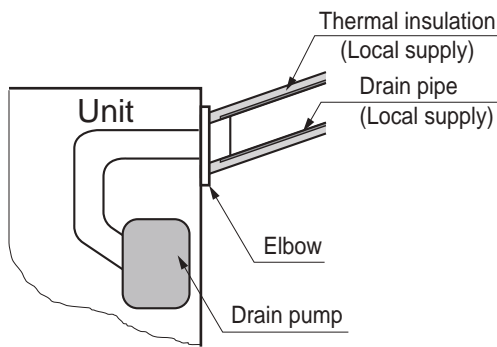


(Unit : mm(inch))



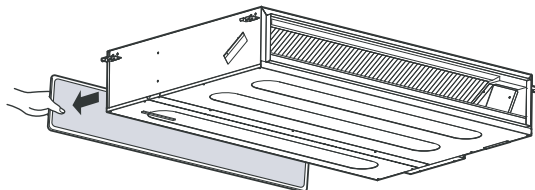
# MULTI ZONE

## 10. Installation



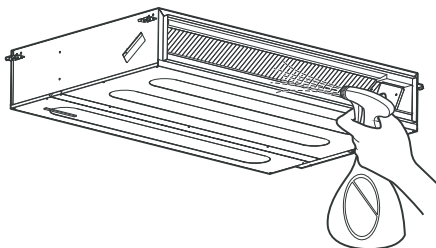
### 5) Checking the drainage

- ① Remove the air filter.



- ② Check the drainage

- Spray one or two glasses of water on the evaporator.
- Ensure that water flows through the drain hose from indoor unit without any leakage.



### 10.6 Electric wiring work

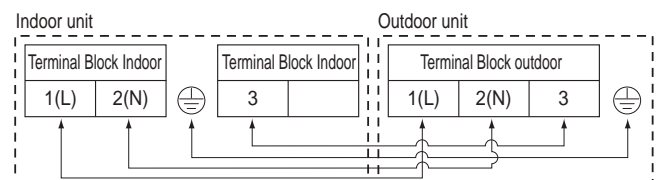
#### 1) General instructions

- ① All field supplied parts and materials, electric works must conform to local codes.  
Use copper wire only.
- ② Follow the "WIRING DIAGRAM" attached to the unit body to wire the outdoor unit, indoor units and the remote controller.
- ③ All wiring must be performed by an authorized electrician.
- ④ This system consists of multiple indoor units. Mark each indoor unit as unit A, unit B..., and be sure the terminal board wiring to the outdoor unit and ID unit are properly matched. If wiring and piping between the outdoor unit and an indoor unit are mismatched, the system may cause a malfunction.
- ⑤ A circuit breaker capable of shutting down the power supply to the entire system must be installed.

#### 2) Wiring connection

Connect the wires to the terminals on the control board individually according to the outdoor unit connection.

- Ensure that the color of the wires of outdoor unit and the terminal No. are the same as those of indoor unit respectively



### Clamping of cables

- ① Arrange 2 power cables on the control panel.
- ② First, fasten the steel clamp with a screw to the inner boss of control panel.
- ③ For the cooling model, fix the other side of the clamp with a screw strongly. For the heat pump model, put the 0.75mm<sup>2</sup> cable (thinner cable) on the clamp and tighten it with a plastic clamp to the other boss of the control panel.
- ④ In Australia, the length of power supply cord measured from the entry of the power supply cord to the middle of live pin on the power plug should be over 5.9ft.

#### ⚠ CAUTION

- Make sure that the screws of the terminal are fixed tightly.

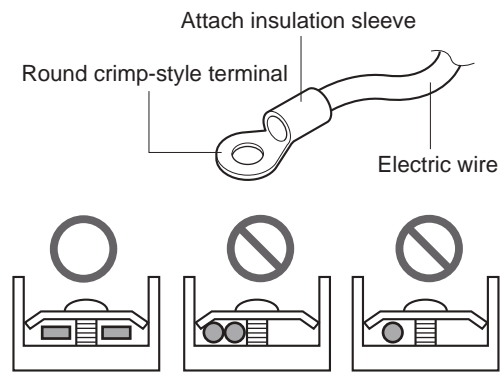
#### ⚠ CAUTION

- Make sure to attach the sealing material or (field supplied) to hole of wiring to prevent the infiltration of foreign particle from outside. Otherwise a short-circuit may occur inside the electric parts box
- When clamping the wires, be sure no pressure is applied to the wire connections by using the included clamping material to make appropriate clamps. Also, when wiring, make sure the cover on the electric parts box fits snugly by arranging the wires neatly and attaching the electric parts box cover firmly. When attaching the electric parts box cover, make sure no wires get caught in the edges. Pass wiring through the wiring through holes to prevent damage to them.
- Make sure the remote controller wiring, the wiring between the units, and other electrical wiring do not pass through the same locations outside of the unit, separating them properly, otherwise electrical noise (external static) could cause product malfunction.

#### NOTE

### 1. Use round crimp-style terminals for connecting wires to the power supply terminal block. If unavailable, observe the following points when wiring.

- Do not connect wires of different gauge to the same power supply terminal.
- Use the specified electric wire. Connect the wire securely to the terminal. Lock the wire down without applying excessive force to the terminal.



Connect wires of the same gauge to both sides

### 2. Tightening torque for the terminal screws.

- Use the correct screwdriver for tightening the terminal screws. If the blade of screwdriver is too small, the head of the screw might be damaged, and the screw will not be properly tightened.
- If the terminal screws are tightened too hard, screws might be damaged.

### 3. Do not connect wires of different gauge to the same grounding terminal. Loose connection may deteriorate protection.

### 4. Outside of the unit, keep proper separation between transmission and power supply wiring. The equipment may malfunction if subjected to electrical (external) noise.

### 5. Never connect power supply wiring to the terminal block for remote controller wiring. A mistake of the sort could damage the entire system.

### 6. Use only specified wire and tightly connect wires to terminals. Be careful wires do not place external stress on terminals. Keep wiring in neat order and so as not to obstruct other equipment such as popping open the electric parts box cover. Make sure the cover closes tight. Incomplete connections could result in overheating, and in worse case, electric shock or fire.

# MULTI ZONE

## ■ Outdoor units

1. Multiple piping type
2. Branch Distribution type
3. BB (Branch Box) unit

# MULTI ZONE

## **Multiple piping type**

- 1. List of functions**
- 2. Specifications**
- 3. Combination table**
- 4. Dimensions**
- 5. Piping diagrams**
- 6. Wiring diagrams**
- 7. Capacity tables**
- 8. Capacity coefficient factor**
- 9. Operation range**
- 10. Electrical characteristics**
- 11. Field wiring diagram**
- 12. Sound levels**

# MULTI ZONE

## 1. List of functions

Category	Functions	MR24DY3JMA, MR36TQY3JMA
Reliability	Defrost / Deicing	O
	High pressure switch	X
	Low pressure switch	X
	Phase protection	X
	Restart delay (3-minutes)	O
	Self diagnosis	O
	Soft start	O
	Test function	X
Convenience	Night Silent Operation	X

**Note :**

O : Applied, x : Not applied

Accessory model name : Installed at field, ordered and purchased separately by the corresponding model name, supplied with separate package.

# MULTI ZONE

## 2. Specifications

Model Name				MR24DY3JMA	MR36TQY3JMA
Capacity*	Nominal	Nominal	Btu/h Class	24,000	36,000
	Heating	Min.~Rated~Max.	Btu/h	10,800 ~ 20,000 ~ 25,000	10,800 ~ 32,000 ~ 38,400
Power Input	Heating	Min.~Rated~Max.	Btu/h	11,880 ~ 24,000 ~ 28,800	11,880 ~ 36,000 ~ 41,600
	Cooling	Min.~Rated~Max.	kW	1.01~1.48~2.07	1.20~2.46~3.61
Power Supply	Heating	Min.~Rated~Max.	kW	1.20~1.80~2.58	1.38~3.58~4.21
	Power Supply			V, Ø, Hz	208 / 230, 1, 60
Running Current	Cooling	Min.~Rated~Max.	A	4.4~6.4~9.0	5.3~10.7~15.7
	Heating	Min.~Rated~Max.	A	5.3~7.8~11.2	6.0~15.6~18.3
Wiring Connections	Power Supply Cable (included Earth)		No. x AWG	3C x 12	3C x 12
	Maximum sum of Indoor Units Capacity		kBtu/h	33	48
Combination	Maximum number of Indoor Units		EA	3	4
	Maximum number of BB Units		EA	-	-
Casing Color			-	Warm Gray	Warm Gray
Dimensions	W x H x D		mm	870 x 655 x 320	950 x 834 x 330
	W x H x D		inch	34-1/4 x 25-25/32 x 12-19/32	37-13/32 x 32-27/32 x 13
Net Weight			kg (lbs)	45 (99.2)	62 (136.7)
Compressor	Type	-		Twin Rotary	Twin Rotary
	Model	Model x No.		GKT176M x 1	GJT240M x 1
	Motor type	-		BLDC	BLDC
	Motor Output	W x No.		-	-
Refrigerant	Type	-		R410A	R410A
	Precharged Amount	g (oz)		1,800 (63.5)	2,800 (98.8)
	Chargeless-Pipe Length	m (ft)		22.5 (73.8)	30 (98.4)
	Additional Charging Volume	g/m (oz/ft)		20 (0.22)	20 (0.22)
Refrigerant Oil	Control	-		Electronic Expansion Valve	Electronic Expansion Valve
	Type	-		FVC68D	FVC68D
Charged volume		cc x No.		670 x 1	900 x 1
Heat Exchanger			(Row x Column x Fins per inch) x No.	(2 x 28 x 14) x 1	(2 x 38 x 14) x 1
Fan	Type	-		Propeller	Propeller
	Air Flow Rate	CMM(CFM) x No.		50 (1,766) x 1	60 (2,119) x 1
Fan Motor	Type	-		BLDC	BLDC
	Output	W x No.		85.4 x 1	124.2 x 1
Sound Pressure Level	Cooling	Rated	dB(A)	49	52
	Heating	Rated	dB(A)	52	55
Piping Connections	Liquid	Outer Dia.	mm(inch) x No.	Ø 6.35 (1/4) x 3	Ø 6.35 (1/4) x 4
	Gas	Outer Dia.	mm(inch) x No.	Ø 9.52 (3/8) x 3	Ø 9.52 (3/8) x 4
Piping Length	Total Piping	Max.	m (ft)	75 (246.1)	75 (246.1)
	Main Piping	Max.	m (ft)	-	-
	Total Branch Piping	Max.	m (ft)	-	-
	Each Branch Piping	Max.	m (ft)	25 (82.0)	25 (82.0)
Maximum Height Difference	Outdoor Unit ~ Indoor Unit	Max.	m (ft)	15 (49.2)	15 (49.2)
	Indoor Unit ~ Indoor Unit	Max.	m (ft)	7.5 (24.6)	7.5 (24.6)
Operation Range (Outdoor Temperature)	Cooling	Min. ~ Max.	°C DB (°F DB)	-10 (14) ~ 48 (118)	-10 (14) ~ 48 (118)
	Heating	Min. ~ Max.	°C WB (°F WB)	-20 (-4) ~ 18 (64)	-20 (-4) ~ 18 (64)

### Note :

- All data are based on the following conditions:
  - Cooling : Indoor Temperature 26.7°C (80°F) DB / 19.4°C (67°F) WB  
Outdoor Temperature 35°C (95°F) DB / 23.9°C (75°F) WB
  - Heating : Indoor Temperature 21.1°C (70°F) DB / 15.6°C (60°F) WB  
Outdoor Temperature 8.3°C (47°F) DB / 6.1°C (43°F) WB
  - Piping Length : Interconnected Pipe Length = 7.6m (25ft)
  - Difference of Elevation (Outdoor ~ Indoor Unit) is Zero.
- Wiring cable size must comply with the applicable local and national codes.
- Due to our policy of innovation some specifications may be changed without notification.
- Sound Level Values are measured at Anechoic chamber. Therefore, these values can be increased owing to ambient conditions during operation.
- At least two indoor units should be connected.
- For more Capacity(\*), refer to the combination table
- This value is based on the non-ducted type indoor units.
- For detailed electrical information, please refer to electric characteristics.

## 2 \_ Multiple piping type

# MULTI ZONE

## 3. Combination table

Models : MR24DY3JMA

### ■ Non ducted type indoor unit

#### Cooling

UNIT	Combination of Indoor Unit (kBtu/h Class)					Room Capacity				Total Capacity						Input(W)			EER	SEER
	UNIT-A	UNIT-B	UNIT-C	UNIT-D	Total	UNIT-A (Btu/h)	UNIT-B (Btu/h)	UNIT-C (Btu/h)	UNIT-D (Btu/h)	Min		Rated		Max		Min	Rated	Max		
										Btu/h	kW	Btu/h	kW	Btu/h	kW					
2 UNIT	9	9	-	-	18	9,000	9,000	-	-	10,800	3.17	18,000	5.28	21,600	6.33	1,008	1,440	2,016	12.5	20.1
	9	12	-	-	21	8,571	11,429	-	-	12,000	3.52	20,000	5.86	24,000	7.03	1,106	1,580	2,212	12.7	20.3
	12	12	-	-	24	10,000	10,000	-	-	12,000	3.52	20,000	5.86	24,000	7.03	1,106	1,580	2,212	12.7	20.3
	9	18	-	-	27	6,667	13,333	-	-	12,000	3.52	20,000	5.86	24,000	7.03	1,106	1,580	2,212	12.7	20.3
	12	18	-	-	30	8,000	12,000	-	-	12,000	3.52	20,000	5.86	24,000	7.03	1,106	1,580	2,212	12.7	20.3
3 UNIT	9	9	9	-	27	6,667	6,667	6,667	-	12,000	3.52	20,000	5.86	25,000	7.33	1,037	1,481	2,073	13.5	21.7
	9	9	12	-	30	6,000	6,000	8,000	-	12,000	3.52	20,000	5.86	25,000	7.33	1,037	1,481	2,073	13.5	21.7
	9	12	12	-	33	5,455	7,273	7,273	-	12,000	3.52	20,000	5.86	25,000	7.33	1,037	1,481	2,073	13.5	21.7

#### Heating

UNIT	Combination of Indoor Unit (kBtu/h Class)					Room Capacity				Total Capacity						Input(W)			COP	HSPF
	UNIT-A	UNIT-B	UNIT-C	UNIT-D	Total	UNIT-A (Btu/h)	UNIT-B (Btu/h)	UNIT-C (Btu/h)	UNIT-D (Btu/h)	Min		Rated		Max		Min	Rated	Max		
										Btu/h	kW	Btu/h	kW	Btu/h	kW					
2 UNIT	9	9	-	-	18	9,900	9,900	-	-	11,880	3.48	19,800	5.8	22,770	6.67	1,197	1,710	2,394	3.4	9.2
	9	12	-	-	21	9,900	13,200	-	-	13,860	4.06	23,100	6.77	26,565	7.79	1,323	1,890	2,580	3.6	9.7
	12	12	-	-	24	12,000	12,000	-	-	14,400	4.22	24,000	7.03	27,600	8.09	1,358	1,940	2,580	3.6	9.8
	9	18	-	-	27	8,000	16,000	-	-	14,400	4.22	24,000	7.03	27,600	8.09	1,358	1,940	2,580	3.6	9.8
	12	18	-	-	30	9,600	14,400	-	-	14,400	4.22	24,000	7.03	27,600	8.09	1,358	1,940	2,580	3.6	9.8
3 UNIT	9	9	9	-	27	8,000	8,000	8,000	-	14,400	4.22	24,000	7.03	28,800	8.44	1,260	1,800	2,520	3.9	10.6
	9	9	12	-	30	7,200	7,200	9,600	-	14,400	4.22	24,000	7.03	28,800	8.44	1,260	1,800	2,520	3.9	10.6
	9	12	12	-	33	6,545	8,727	8,727	-	14,400	4.22	24,000	7.03	28,800	8.44	1,260	1,800	2,520	3.9	10.6

### ■ Ducted type indoor unit

#### Cooling

UNIT	Combination of Indoor Unit (kBtu/h Class)					Room Capacity				Total Capacity						Input(W)			EER	SEER
	UNIT-A	UNIT-B	UNIT-C	UNIT-D	Total	UNIT-A (Btu/h)	UNIT-B (Btu/h)	UNIT-C (Btu/h)	UNIT-D (Btu/h)	Min		Rated		Max		Min	Rated	Max		
										Btu/h	kW	Btu/h	kW	Btu/h	kW					
2 UNIT	9	9	-	-	18	8,010	8,010	-	-	9,612	2.82	16,020	4.70	19,224	5.63	1,054	1,505	2,107	10.6	16.2
	9	12	-	-	21	7,629	10,171	-	-	10,680	3.13	17,800	5.22	21,360	6.26	1,156	1,651	2,312	10.8	16.4
	12	12	-	-	24	8,900	8,900	-	-	10,680	3.13	17,800	5.22	21,360	6.26	1,156	1,651	2,312	10.8	16.4
	9	18	-	-	27	5,933	11,867	-	-	10,680	3.13	17,800	5.22	21,360	6.26	1,156	1,651	2,312	10.8	16.4
	12	18	-	-	30	7,120	10,680	-	-	10,680	3.13	17,800	5.22	21,360	6.26	1,156	1,651	2,312	10.8	16.4
3 UNIT	9	9	9	-	27	5,933	5,933	5,933	-	10,680	3.13	17,800	5.22	22,250	6.52	1,084	1,548	2,167	11.5	17.5
	9	9	12	-	30	5,340	5,340	7,120	-	10,680	3.13	17,800	5.22	22,250	6.52	1,084	1,548	2,167	11.5	17.5
	9	12	12	-	33	4,855	6,473	6,473	-	10,680	3.13	17,800	5.22	22,250	6.52	1,084	1,548	2,167	11.5	17.5

#### Heating

UNIT	Combination of Indoor Unit (kBtu/h Class)					Room Capacity				Total Capacity						Input(W)			COP	HSPF
	UNIT-A	UNIT-B	UNIT-C	UNIT-D	Total	UNIT-A (Btu/h)	UNIT-B (Btu/h)	UNIT-C (Btu/h)	UNIT-D (Btu/h)	Min		Rated		Max		Min	Rated	Max		
										Btu/h	kW	Btu/h	kW	Btu/h	kW					
2 UNIT	9	9	-	-	18	9,281	9,281	-	-	11,138	3.26	18,563	5.44	21,347	6.26	1,275	1,822	2,551	3.0	8.5
	9	12	-	-	21	9,281	12,375	-	-	12,994	3.81	21,656	6.35	24,905	7.3	1,410	2,014	2,580	3.2	9.0
	12	12	-	-	24	11,200	11,200	-	-	13,440	3.94	22,400	6.57	25,760	7.55	1,447	2,067	2,580	3.2	9.1
	9	18	-	-	27	7,467	14,933	-	-	13,440	3.94	22,400	6.57	25,760	7.55	1,447	2,067	2,580	3.2	9.1
	12	18	-	-	30	8,960	13,440	-	-	13,440	3.94	22,400	6.57	25,760	7.55	1,447	2,067	2,580	3.2	9.1
3 UNIT	9	9	9	-	27	7,467	7,467	7,467	-	13,440	3.94	22,400	6.57	26,880	7.88	1,343	1,918	2,685	3.4	9.8
	9	9	12	-	30	6,720	6,720	8,960	-	13,440	3.94	22,400	6.57	26,880	7.88	1,343	1,918	2,685	3.4	9.8
	9	12	12	-	33	6,109	8,145	8,145	-	13,440	3.94	22,400	6.57	26,880	7.88	1,343	1,918	2,685	3.4	9.8

#### Note :

- Capacities are based on the following conditions:  
 Cooling: - Indoor Temperature 26.7°C (80°F) DB / 19.4°C (67°F) WB  
 - Outdoor Temperature 35°C (95°F) DB / 23.9°C (75°F) WB  
 Heating: - Indoor Temperature 21.1°C (70°F) DB / 15.6°C (60°F) WB  
 - Outdoor Temperature 8.3°C (47°F) DB / 6.1°C (43°F) WB  
 Piping Length - Interconnecting Piping Length 7.6m (25ft)  
 - Level Difference of Zero
- Wiring cable size must comply with the applicable local and national codes.
- The specification may be subject to change without prior notice for purpose of improvement.
- Maximum sum of connected indoor units capacity is 33 kBtu/h.
- At least two indoor units should be connected.

# MULTI ZONE

## 3. Combination table

Models : MR24DY3JMA

### ■ Mixed type indoor unit

#### Cooling

UNIT	Combination of Indoor Unit (kBtu/h Class)					Room Capacity				Total Capacity						Input(W)			EER	SEER
	UNIT-A	UNIT-B	UNIT-C	UNIT-D	Total	UNIT-A (Btu/h)	UNIT-B (Btu/h)	UNIT-C (Btu/h)	UNIT-D (Btu/h)	Min		Rated		Max		Min	Rated	Max		
										Btu/h	kW	Btu/h	kW	Btu/h	kW					
2 UNIT	9	9	-	-	18	8,505	8,505	-	-	10,206	2.99	17,010	4.99	20,412	5.98	1,031	1,473	2,062	11.6	18.1
	9	12	-	-	21	8,100	10,800	-	-	11,340	3.32	18,900	5.54	22,680	6.65	1,131	1,616	2,262	11.7	18.4
	12	12	-	-	24	9,450	9,450	-	-	11,340	3.32	18,900	5.54	22,680	6.65	1,131	1,616	2,262	11.7	18.4
	9	18	-	-	27	6,300	12,600	-	-	11,340	3.32	18,900	5.54	22,680	6.65	1,131	1,616	2,262	11.7	18.4
	12	18	-	-	30	7,560	11,340	-	-	11,340	3.32	18,900	5.54	22,680	6.65	1,131	1,616	2,262	11.7	18.4
3 UNIT	9	9	9	-	27	6,300	6,300	6,300	-	11,340	3.32	18,900	5.54	23,625	6.92	1,060	1,515	2,120	12.5	19.6
	9	9	12	-	30	5,670	5,670	7,560	-	11,340	3.32	18,900	5.54	23,625	6.92	1,060	1,515	2,120	12.5	19.6
	9	12	12	-	33	5,155	6,873	6,873	-	11,340	3.32	18,900	5.54	23,625	6.92	1,060	1,515	2,120	12.5	19.6

#### Heating

UNIT	Combination of Indoor Unit (kBtu/h Class)					Room Capacity				Total Capacity						Input(W)			COP	HSPF
	UNIT-A	UNIT-B	UNIT-C	UNIT-D	Total	UNIT-A (Btu/h)	UNIT-B (Btu/h)	UNIT-C (Btu/h)	UNIT-D (Btu/h)	Min		Rated		Max		Min	Rated	Max		
										Btu/h	kW	Btu/h	kW	Btu/h	kW					
2 UNIT	9	9	-	-	18	9,591	9,591	-	-	11,509	3.37	19,181	5.62	22,058	6.46	1,236	1,766	2,472	3.2	8.9
	9	12	-	-	21	9,591	12,788	-	-	13,427	3.94	22,378	6.56	25,735	7.54	1,366	1,952	2,580	3.4	9.4
	12	12	-	-	24	11,625	11,625	-	-	13,950	4.09	23,250	6.81	26,738	7.84	1,403	2,004	2,580	3.4	9.5
	9	18	-	-	27	7,750	15,500	-	-	13,950	4.09	23,250	6.81	26,738	7.84	1,403	2,004	2,580	3.4	9.5
	12	18	-	-	30	9,300	13,950	-	-	13,950	4.09	23,250	6.81	26,738	7.84	1,403	2,004	2,580	3.4	9.5
3 UNIT	9	9	9	-	27	7,750	7,750	7,750	-	13,950	4.09	23,250	6.81	27,900	8.18	1,301	1,859	2,603	3.7	10.2
	9	9	12	-	30	6,975	6,975	9,300	-	13,950	4.09	23,250	6.81	27,900	8.18	1,301	1,859	2,603	3.7	10.2
	9	12	12	-	33	6,341	8,455	8,455	-	13,950	4.09	23,250	6.81	27,900	8.18	1,301	1,859	2,603	3.7	10.2

#### Note :

- Capacities are based on the following conditions:
  - Cooling: - Indoor Temperature 26.7°C (80°F) DB / 19.4°C (67°F) WB
  - Outdoor Temperature 35°C (95°F) DB / 23.9°C (75°F) WB
  - Heating: - Indoor Temperature 21.1°C (70°F) DB / 15.6°C (60°F) WB
  - Outdoor Temperature 8.3°C (47°F) DB / 6.1°C (43°F) WB
  - Piping Length - Interconnecting Piping Length 7.6m (25ft)
  - Level Difference of Zero
- Wiring cable size must comply with the applicable local and national codes.
- The specification may be subject to change without prior notice for purpose of improvement.
- Maximum sum of connected indoor units capacity is 33 kBtu/h.
- At least two indoor units should be connected.

# MULTI ZONE

## 3. Combination table

Models : MR36TQY3JMA

### ■ Non ducted type indoor unit

#### Cooling

UNIT	Combination of Indoor Unit (kBtu/h Class)					Room Capacity				Total Capacity						Input(W)			EER	SEER
	UNIT-A	UNIT-B	UNIT-C	UNIT-D	Total	UNIT-A (Btu/h)	UNIT-B (Btu/h)	UNIT-C (Btu/h)	UNIT-D (Btu/h)	Min		Rated		Max		Min	Rated	Max		
										Btu/h	kW	Btu/h	kW	Btu/h	kW					
2 UNIT	9	9	-	-	18	9,000	9,000	-	-	10,800	3.17	18,000	5.28	19,980	5.86	1,204	1,720	2,408	10.5	17.7
	9	12	-	-	21	9,000	12,000	-	-	12,600	3.69	21,000	6.15	23,310	6.83	1,379	1,970	2,758	10.7	18.0
	12	12	-	-	24	12,000	12,000	-	-	14,400	4.22	24,000	7.03	26,640	7.81	1,526	2,180	3,052	11.0	18.6
	9	18	-	-	27	9,000	18,000	-	-	16,200	4.75	27,000	7.91	29,970	8.78	1,694	2,420	3,388	11.2	18.9
	12	18	-	-	30	12,000	18,000	-	-	18,000	5.28	30,000	8.79	33,300	9.76	1,841	2,630	3,682	11.4	19.3
	18	18	-	-	36	16,000	16,000	-	-	19,200	5.63	32,000	9.38	35,520	10.41	1,932	2,760	3,864	11.6	19.6
3 UNIT	9	9	9	-	27	9,000	9,000	9,000	-	16,200	4.75	27,000	7.91	31,050	9.10	1,610	2,300	3,220	11.7	19.9
	9	9	12	-	30	9,000	9,000	12,000	-	18,000	5.28	30,000	8.79	34,500	10.11	1,722	2,460	3,444	12.2	20.6
	9	12	12	-	33	8,727	11,636	11,636	-	19,200	5.63	32,000	9.38	36,800	10.79	1,806	2,580	3,612	12.4	21.0
	9	9	18	-	36	8,000	8,000	16,000	-	19,200	5.63	32,000	9.38	36,800	10.79	1,806	2,580	3,612	12.4	21.0
	12	12	12	-	36	10,667	10,667	10,667	-	19,200	5.63	32,000	9.38	36,800	10.79	1,806	2,580	3,612	12.4	21.0
	9	12	18	-	39	7,385	9,846	14,769	-	19,200	5.63	32,000	9.38	36,800	10.79	1,806	2,580	3,612	12.4	21.0
	12	12	18	-	42	9,143	9,143	13,714	-	19,200	5.63	32,000	9.38	36,800	10.79	1,806	2,580	3,612	12.4	21.0
	9	18	18	-	45	6,400	12,800	12,800	-	19,200	5.63	32,000	9.38	36,800	10.79	1,806	2,580	3,612	12.4	21.0
4 UNIT	12	18	18	-	48	8,000	12,000	12,000	-	19,200	5.63	32,000	9.38	36,800	10.79	1,806	2,580	3,612	12.4	21.0
	9	9	9	9	36	8,000	8,000	8,000	8,000	19,200	5.63	32,000	9.38	38,400	11.25	1,723	2,461	3,445	13.0	22.0
	9	9	9	12	39	7,385	7,385	7,385	9,846	19,200	5.63	32,000	9.38	38,400	11.25	1,723	2,461	3,445	13.0	22.0
	9	9	12	12	42	6,857	6,857	9,143	9,143	19,200	5.63	32,000	9.38	38,400	11.25	1,723	2,461	3,445	13.0	22.0
	9	9	9	18	45	6,400	6,400	6,400	12,800	19,200	5.63	32,000	9.38	38,400	11.25	1,723	2,461	3,445	13.0	22.0
	9	12	12	12	45	6,400	8,533	8,533	8,533	19,200	5.63	32,000	9.38	38,400	11.25	1,723	2,461	3,445	13.0	22.0
	9	9	12	18	48	6,000	6,000	8,000	12,000	19,200	5.63	32,000	9.38	38,400	11.25	1,723	2,461	3,445	13.0	22.0
	12	12	12	12	48	8,000	8,000	8,000	8,000	19,200	5.63	32,000	9.38	38,400	11.25	1,723	2,461	3,445	13.0	22.0

#### Heating

UNIT	Combination of Indoor Unit (kBtu/h Class)					Room Capacity				Total Capacity						COP		HSPF		
	UNIT-A	UNIT-B	UNIT-C	UNIT-D	Total	UNIT-A (Btu/h)	UNIT-B (Btu/h)	UNIT-C (Btu/h)	UNIT-D (Btu/h)	Min		Rated		Max		Min	Rated			
										Btu/h	kW	Btu/h	kW	Btu/h	kW					
2 UNIT	9	9	-	-	18	9,900	9,900	-	-	11,880	3.48	19,800	5.80	21,780	6.38	1,379	1,970	2,758	2.9	7.6
	9	12	-	-	21	9,900	13,200	-	-	13,860	4.06	23,100	6.77	25,410	7.45	1,554	2,220	3,108	3.0	7.9
	12	12	-	-	24	13,200	13,200	-	-	15,840	4.64	26,400	7.74	29,040	8.51	1,701	2,430	3,402	3.2	8.3
	9	18	-	-	27	9,900	19,800	-	-	17,820	5.22	29,700	8.70	32,670	9.58	1,869	2,670	3,738	3.3	8.5
	12	18	-	-	30	13,200	19,800	-	-	19,800	5.80	33,000	9.67	36,300	10.64	2,016	2,880	4,032	3.4	8.7
	18	18	-	-	36	18,000	18,000	-	-	21,600	6.33	36,000	10.55	39,600	11.61	2,107	3,010	4,214	3.5	9.1
3 UNIT	9	9	9	-	27	9,900	9,900	9,900	-	17,820	5.22	29,700	8.70	34,155	10.01	1,785	2,550	3,570	3.4	8.9
	9	9	12	-	30	9,900	9,900	13,200	-	19,800	5.80	33,000	9.67	37,950	11.12	1,897	2,710	3,794	3.6	9.3
	9	12	12	-	33	9,818	13,091	13,091	-	21,600	6.33	36,000	10.55	41,400	12.13	1,981	2,830	3,962	3.7	9.7
	9	9	18	-	36	9,000	9,000	18,000	-	21,600	6.33	36,000	10.55	41,400	12.13	1,981	2,830	3,962	3.7	9.7
	12	12	12	-	36	12,000	12,000	12,000	-	21,600	6.33	36,000	10.55	41,400	12.13	1,981	2,830	3,962	3.7	9.7
	9	12	18	-	39	8,308	11,077	16,615	-	21,600	6.33	36,000	10.55	41,400	12.13	1,981	2,830	3,962	3.7	9.7
	12	12	18	-	42	10,286	10,286	15,429	-	21,600	6.33	36,000	10.55	41,400	12.13	1,981	2,830	3,962	3.7	9.7
	9	18	18	-	45	7,200	14,400	14,400	-	21,600	6.33	36,000	10.55	41,400	12.13	1,981	2,830	3,962	3.7	9.7
4 UNIT	12	18	18	-	48	9,000	13,500	13,500	-	21,600	6.33	36,000	10.55	41,400	12.13	1,981	2,830	3,962	3.7	9.7
	9	9	9	9	36	9,000	9,000	9,000	9,000	21,600	6.33	36,000	10.55	41,600	12.19	1,918	2,740	3,836	3.9	10.0
	9	9	9	12	39	8,308	8,308	8,308	11,077	21,600	6.33	36,000	10.55	41,600	12.19	1,918	2,740	3,836	3.9	10.0
	9	9	12	12	42	7,714	7,714	10,286	10,286	21,600	6.33	36,000	10.55	41,600	12.19	1,918	2,740	3,836	3.9	10.0
	9	9	9	18	45	7,200	7,200	7,200	14,400	21,600	6.33	36,000	10.55	41,600	12.19	1,918	2,740	3,836	3.9	10.0
	9	12	12	12	45	7,200	9,600	9,600	9,600	21,600	6.33	36,000	10.55	41,600	12.19	1,918	2,740	3,836	3.9	10.0
	9	9	12	18	48	6,750	6,750	9,000	13,500	21,600	6.33	36,000	10.55	41,600	12.19	1,918	2,740	3,836	3.9	10.0
	12	12	12	12	48	9,000	9,000	9,000	9,000	21,600	6.33	36,000	10.55	41,600	12.19	1,918	2,740	3,836	3.9	10.0

#### Note :

- Capacities are based on the following conditions:  
Cooling : - Indoor Temperature 26.7°C (80°F) DB / 19.4°C (67°F) WB  
- Outdoor Temperature 35°C (95°F) DB / 23.9°C (75°F) WB  
Heating : - Indoor Temperature 21.1°C (70°F) DB / 15.6°C (60°F) WB  
- Outdoor Temperature 8.3°C (47°F) DB / 6.1°C (43°F) WB  
Piping Length - Interconnecting Piping Length 7.6m (25ft)  
- Level Difference of Zero
- Wiring cable size must comply with the applicable local and national codes.
- The specification may be subject to change without prior notice for purpose of improvement.
- Maximum sum of connected indoor units capacity is 48 kBtu/h.
- At least two indoor units should be connected.

# MULTI ZONE

## 3. Combination table

Models : MR36TQY3JMA

### ■ Ducted type indoor unit

#### Cooling

UNIT	Combination of Indoor Unit (kBtu/h Class)					Room Capacity				Total Capacity						Input(W)			EER	SEER
	UNIT-A	UNIT-B	UNIT-C	UNIT-D	Total	UNIT-A (Btu/h)	UNIT-B (Btu/h)	UNIT-C (Btu/h)	UNIT-D (Btu/h)	Min		Rated		Max		Min	Rated	Max		
										Btu/h	kW	Btu/h	kW	Btu/h	kW					
2 UNIT	9	9	-	-	18	7,875	7,875	-	-	9,450	2.8	15,750	4.6	17,483	5.1	1,245	1,779	2,491	8.9	14.6
	9	12	-	-	21	7,875	10,500	-	-	11,025	3.2	18,375	5.4	20,396	6.0	1,426	2,038	2,853	9.0	14.9
	12	12	-	-	24	10,500	10,500	-	-	12,600	3.7	21,000	6.2	23,310	6.8	1,578	2,255	3,157	9.3	15.4
	9	18	-	-	27	7,875	15,750	-	-	14,175	4.2	23,625	6.9	26,224	7.7	1,752	2,503	3,504	9.4	15.6
	12	18	-	-	30	10,500	15,750	-	-	15,750	4.6	26,250	7.7	29,138	8.5	1,904	2,720	3,808	9.6	16.0
	18	18	-	-	36	14,000	14,000	-	-	16,800	4.9	28,000	8.2	31,080	9.1	1,998	2,855	3,997	9.8	16.2
3 UNIT	9	9	9	-	27	7,875	7,875	7,875	-	14,175	4.2	23,625	6.9	27,169	8.0	1,665	2,379	3,331	9.9	16.4
	9	9	12	-	30	7,875	7,875	10,500	-	15,750	4.6	26,250	7.7	30,188	8.8	1,781	2,544	3,562	10.3	17.1
	9	12	12	-	33	7,636	10,182	10,182	-	16,800	4.9	28,000	8.2	32,200	9.4	1,868	2,669	3,736	10.5	17.4
	9	9	18	-	36	7,000	7,000	14,000	-	16,800	4.9	28,000	8.2	32,200	9.4	1,868	2,669	3,736	10.5	17.4
	12	12	12	-	36	9,333	9,333	9,333	-	16,800	4.9	28,000	8.2	32,200	9.4	1,868	2,669	3,736	10.5	17.4
	9	12	18	-	39	6,462	8,615	12,923	-	16,800	4.9	28,000	8.2	32,200	9.4	1,868	2,669	3,736	10.5	17.4
	12	12	18	-	42	8,000	8,000	12,000	-	16,800	4.9	28,000	8.2	32,200	9.4	1,868	2,669	3,736	10.5	17.4
	9	18	18	-	45	5,600	11,200	11,200	-	16,800	4.9	28,000	8.2	32,200	9.4	1,868	2,669	3,736	10.5	17.4
	12	18	18	-	48	7,000	10,500	10,500	-	16,800	4.9	28,000	8.2	32,200	9.4	1,868	2,669	3,736	10.5	17.4
	9	9	9	9	36	7,000	7,000	7,000	7,000	16,800	4.9	28,000	8.2	33,600	9.8	1,782	2,545	3,564	11.0	18.2
4 UNIT	9	9	9	12	39	6,462	6,462	6,462	8,615	16,800	4.9	28,000	8.2	33,600	9.8	1,782	2,545	3,564	11.0	18.2
	9	9	12	12	42	6,000	6,000	8,000	8,000	16,800	4.9	28,000	8.2	33,600	9.8	1,782	2,545	3,564	11.0	18.2
	9	9	9	18	45	5,600	5,600	5,600	11,200	16,800	4.9	28,000	8.2	33,600	9.8	1,782	2,545	3,564	11.0	18.2
	9	12	12	12	45	5,600	7,467	7,467	7,467	16,800	4.9	28,000	8.2	33,600	9.8	1,782	2,545	3,564	11.0	18.2
	9	9	12	18	48	5,250	5,250	7,000	10,500	16,800	4.9	28,000	8.2	33,600	9.8	1,782	2,545	3,564	11.0	18.2
	12	12	12	12	48	7,000	7,000	7,000	7,000	16,800	4.9	28,000	8.2	33,600	9.8	1,782	2,545	3,564	11.0	18.2

#### Heating

UNIT	Combination of Indoor Unit (kBtu/h Class)					Room Capacity				Total Capacity						Input(W)			COP	HSPF
	UNIT-A	UNIT-B	UNIT-C	UNIT-D	Total	UNIT-A (Btu/h)	UNIT-B (Btu/h)	UNIT-C (Btu/h)	UNIT-D (Btu/h)	Min		Rated		Max		Min	Rated	Max		
										Btu/h	kW	Btu/h	kW	Btu/h	kW					
2 UNIT	9	9	-	-	18	9,350	9,350	-	-	11,220	3.3	18,700	5.5	20,570	6.0	1,426	2,037	2,852	2.7	7.4
	9	12	-	-	21	9,350	12,467	-	-	13,090	3.8	21,817	6.4	23,998	7.0	1,607	2,295	3,213	2.8	7.7
	12	12	-	-	24	12,467	12,467	-	-	14,960	4.4	24,933	7.3	27,427	8.0	1,759	2,512	3,517	2.9	8.0
	9	18	-	-	27	9,350	18,700	-	-	16,830	4.9	28,050	8.2	30,855	9.0	1,932	2,761	3,865	3.0	8.2
	12	18	-	-	30	12,467	18,700	-	-	18,700	5.5	31,167	9.1	34,283	10.0	2,084	2,978	4,169	3.1	8.5
	18	18	-	-	36	17,000	17,000	-	-	20,400	6.0	34,000	10.0	37,400	11.0	2,179	3,112	4,357	3.2	8.8
3 UNIT	9	9	9	-	27	9,350	9,350	9,350	-	16,830	4.9	28,050	8.2	32,258	9.5	1,846	2,637	3,691	3.1	8.6
	9	9	12	-	30	9,350	9,350	12,467	-	18,700	5.5	31,167	9.1	35,842	10.5	1,961	2,802	3,923	3.3	9.0
	9	12	12	-	33	9,273	12,364	12,364	-	20,400	6.0	34,000	10.0	39,100	11.5	2,048	2,926	4,096	3.4	9.4
	9	9	18	-	36	8,500	8,500	17,000	-	20,400	6.0	34,000	10.0	39,100	11.5	2,048	2,926	4,096	3.4	9.4
	12	12	12	-	36	11,333	11,333	11,333	-	20,400	6.0	34,000	10.0	39,100	11.5	2,048	2,926	4,096	3.4	9.4
	9	12	18	-	39	7,846	10,462	15,692	-	20,400	6.0	34,000	10.0	39,100	11.5	2,048	2,926	4,096	3.4	9.4
	12	12	18	-	42	9,714	9,714	14,571	-	20,400	6.0	34,000	10.0	39,100	11.5	2,048	2,926	4,096	3.4	9.4
	9	18	18	-	45	6,800	13,600	13,600	-	20,400	6.0	34,000	10.0	39,100	11.5	2,048	2,926	4,096	3.4	9.4
	12	18	18	-	48	8,500	12,750	12,750	-	20,400	6.0	34,000	10.0	39,100	11.5	2,048	2,926	4,096	3.4	9.4
	9	9	9	9	36	8,500	8,500	8,500	8,500	20,400	6.0	34,000	10.0	41,600	12.2	1,983	2,833	3,966	3.5	9.7
4 UNIT	9	9	9	12	39	7,846	7,846	7,846	10,462	20,400	6.0	34,000	10.0	41,600	12.2	1,983	2,833	3,966	3.5	9.7
	9	9	12	12	42	7,286	7,286	9,714	9,714	20,400	6.0	34,000	10.0	41,600	12.2	1,983	2,833	3,966	3.5	9.7
	9	9	9	18	45	6,800	6,800	6,800	13,600	20,400	6.0	34,000	10.0	41,600	12.2	1,983	2,833	3,966	3.5	9.7
	9	12	12	12	45	6,800	9,067	9,067	9,067	20,400	6.0	34,000	10.0	41,600	12.2	1,983	2,833	3,966	3.5	9.7
	9	9	12	18	48	6,375	6,375	8,500	12,750	20,400	6.0	34,000	10.0	41,600	12.2	1,983	2,833	3,966	3.5	9.7
	12	12	12	12	48	8,500	8,500	8,500	8,500	20,400	6.0	34,000	10.0	41,600	12.2	1,983	2,833	3,966	3.5	9.7

#### Note :

1. Capacities are based on the following conditions:

Cooling: - Indoor Temperature 26.7°C (80°F) DB / 19.4°C (67°F) WB

- Outdoor Temperature 35°C (95°F) DB / 23.9°C (75°F) WB

Heating: - Indoor Temperature 21.1°C (70°F) DB / 15.6°C (60°F) WB

- Outdoor Temperature 8.3°C (47°F) DB / 6.1°C (43°F) WB

Piping Length - Interconnecting Piping Length 7.6m (25ft)

- Level Difference of Zero

2. Wiring cable size must comply with the applicable local and national codes.

3. The specification may be subject to change without prior notice for purpose of improvement.

4. Maximum sum of connected indoor units capacity is 48 kBtu/h.

5. At least two indoor units should be connected.

## 6 \_ Multiple piping type

# MULTI ZONE

## 3. Combination table

Models : MR36TQY3JMA

### ■ Mixed type indoor unit

#### Cooling

UNIT	Combination of Indoor Unit (kBtu/h Class)					Room Capacity				Total Capacity						Input(W)			EER	SEER
	UNIT-A	UNIT-B	UNIT-C	UNIT-D	Total	UNIT-A (Btu/h)	UNIT-B (Btu/h)	UNIT-C (Btu/h)	UNIT-D (Btu/h)	Min		Rated		Max		Min	Rated	Max		
										Btu/h	kW	Btu/h	kW	Btu/h	kW					
2 UNIT	9	9	-	-	18	8,438	8,438	-	-	10,125	3.0	16,875	4.9	18,731	5.5	1,225	1,750	2,449	9.6	16.2
	9	12	-	-	21	8,438	11,250	-	-	11,813	3.5	19,688	5.8	21,853	6.4	1,403	2,004	2,805	9.8	16.5
	12	12	-	-	24	11,250	11,250	-	-	13,500	4.0	22,500	6.6	24,975	7.3	1,552	2,217	3,104	10.1	17.0
	9	18	-	-	27	8,438	16,875	-	-	15,188	4.5	25,313	7.4	28,097	8.2	1,723	2,462	3,446	10.3	17.2
	12	18	-	-	30	11,250	16,875	-	-	16,875	4.9	28,125	8.2	31,219	9.1	1,873	2,675	3,745	10.5	17.6
18	18	-	-	36	15,000	15,000	-	-	18,000	5.3	30,000	8.8	33,300	9.8	1,965	2,807	3,930	10.7	17.9	
3 UNIT	9	9	9	-	27	8,438	8,438	8,438	-	15,188	4.5	25,313	7.4	29,109	8.5	1,638	2,339	3,275	10.8	18.1
	9	9	12	-	30	8,438	8,438	11,250	-	16,875	4.9	28,125	8.2	32,344	9.5	1,752	2,502	3,503	11.2	18.9
	9	12	12	-	33	8,182	10,909	10,909	-	18,000	5.3	30,000	8.8	34,500	10.1	1,837	2,624	3,674	11.4	19.2
	9	9	18	-	36	7,500	7,500	15,000	-	18,000	5.3	30,000	8.8	34,500	10.1	1,837	2,624	3,674	11.4	19.2
	12	12	12	-	36	10,000	10,000	10,000	-	18,000	5.3	30,000	8.8	34,500	10.1	1,837	2,624	3,674	11.4	19.2
	9	12	18	-	39	6,923	9,231	13,846	-	18,000	5.3	30,000	8.8	34,500	10.1	1,837	2,624	3,674	11.4	19.2
	12	12	18	-	42	8,571	8,571	12,857	-	18,000	5.3	30,000	8.8	34,500	10.1	1,837	2,624	3,674	11.4	19.2
	9	18	18	-	45	6,000	12,000	12,000	-	18,000	5.3	30,000	8.8	34,500	10.1	1,837	2,624	3,674	11.4	19.2
12	18	18	-	48	7,500	11,250	11,250	-	18,000	5.3	30,000	8.8	34,500	10.1	1,837	2,624	3,674	11.4	19.2	
4 UNIT	9	9	9	9	36	7,500	7,500	7,500	7,500	18,000	5.3	30,000	8.8	36,000	10.6	1,752	2,503	3,505	12.0	20.1
	9	9	9	12	39	6,923	6,923	6,923	9,231	18,000	5.3	30,000	8.8	36,000	10.6	1,752	2,503	3,505	12.0	20.1
	9	9	12	12	42	6,429	6,429	8,571	8,571	18,000	5.3	30,000	8.8	36,000	10.6	1,752	2,503	3,505	12.0	20.1
	9	9	9	18	45	6,000	6,000	6,000	12,000	18,000	5.3	30,000	8.8	36,000	10.6	1,752	2,503	3,505	12.0	20.1
	9	12	12	12	45	6,000	8,000	8,000	8,000	18,000	5.3	30,000	8.8	36,000	10.6	1,752	2,503	3,505	12.0	20.1
	9	9	12	18	48	5,625	5,625	7,500	11,250	18,000	5.3	30,000	8.8	36,000	10.6	1,752	2,503	3,505	12.0	20.1
12	12	12	12	48	7,500	7,500	7,500	7,500	18,000	5.3	30,000	8.8	36,000	10.6	1,752	2,503	3,505	12.0	20.1	

#### Note :

- Capacities are based on the following conditions:  
Cooling: - Indoor Temperature 26.7°C (80°F) DB / 19.4°C (67°F) WB  
- Outdoor Temperature 35°C (95°F) DB / 23.9°C (75°F) WB  
Heating: - Indoor Temperature 21.1°C (70°F) DB / 15.6°C (60°F) WB  
- Outdoor Temperature 8.3°C (47°F) DB / 6.1°C (43°F) WB  
Piping Length - Interconnecting Piping Length 7.6m (25ft)  
- Level Difference of Zero
- Wiring cable size must comply with the applicable local and national codes.
- The specification may be subject to change without prior notice for purpose of improvement.
- Maximum sum of connected indoor units capacity is 48 kBtu/h.
- At least two indoor units should be connected.

# MULTI ZONE

## 3. Combination table

Models : MR36TQY3JMA

### ■ Mixed type indoor unit

#### Heating

UNIT	Combination of Indoor Unit (kBtu/h Class)					Room Capacity				Total Capacity						Input(W)			COP	HSPF
	UNIT-A	UNIT-B	UNIT-C	UNIT-D	Total	UNIT-A (Btu/h)	UNIT-B (Btu/h)	UNIT-C (Btu/h)	UNIT-D (Btu/h)	Min		Rated		Max		Min	Rated	Max		
										Btu/h	kW	Btu/h	kW	Btu/h	kW					
2 UNIT	9	9	-	-	18	9,625	9,625	-	-	11,550	3.4	19,250	5.6	21,175	6.2	1,402	2,003	2,805	2.8	7.5
	9	12	-	-	21	9,625	12,833	-	-	13,475	3.9	22,458	6.6	24,704	7.2	1,580	2,258	3,161	2.9	7.8
	12	12	-	-	24	12,833	12,833	-	-	15,400	4.5	25,667	7.5	28,233	8.3	1,730	2,471	3,460	3.0	8.1
	9	18	-	-	27	9,625	19,250	-	-	17,325	5.1	28,875	8.5	31,763	9.3	1,901	2,715	3,801	3.1	8.3
	12	18	-	-	30	12,833	19,250	-	-	19,250	5.6	32,083	9.4	35,292	10.3	2,050	2,929	4,100	3.2	8.6
	18	18	-	-	36	17,500	17,500	-	-	21,000	6.2	35,000	10.3	38,500	11.3	2,143	3,061	4,286	3.4	9.0
3 UNIT	9	9	9	-	27	9,625	9,625	9,625	-	17,325	5.1	28,875	8.5	33,206	9.7	1,815	2,593	3,631	3.3	8.7
	9	9	12	-	30	9,625	9,625	12,833	-	19,250	5.6	32,083	9.4	36,896	10.8	1,929	2,756	3,858	3.4	9.1
	9	12	12	-	33	9,545	12,727	12,727	-	21,000	6.2	35,000	10.3	40,250	11.8	2,015	2,878	4,029	3.6	9.5
	9	9	18	-	36	8,750	8,750	17,500	-	21,000	6.2	35,000	10.3	40,250	11.8	2,015	2,878	4,029	3.6	9.5
	12	12	12	-	36	11,667	11,667	11,667	-	21,000	6.2	35,000	10.3	40,250	11.8	2,015	2,878	4,029	3.6	9.5
	9	12	18	-	39	8,077	10,769	16,154	-	21,000	6.2	35,000	10.3	40,250	11.8	2,015	2,878	4,029	3.6	9.5
	12	12	18	-	42	10,000	10,000	15,000	-	21,000	6.2	35,000	10.3	40,250	11.8	2,015	2,878	4,029	3.6	9.5
	9	18	18	-	45	7,000	14,000	14,000	-	21,000	6.2	35,000	10.3	40,250	11.8	2,015	2,878	4,029	3.6	9.5
	12	18	18	-	48	8,750	13,125	13,125	-	21,000	6.2	35,000	10.3	40,250	11.8	2,015	2,878	4,029	3.6	9.5
4 UNIT	9	9	9	9	36	8,750	8,750	8,750	8,750	21,000	6.2	35,000	10.3	41,600	12.2	1,951	2,787	3,901	3.7	9.9
	9	9	9	12	39	8,077	8,077	8,077	10,769	21,000	6.2	35,000	10.3	41,600	12.2	1,951	2,787	3,901	3.7	9.9
	9	9	12	12	42	7,500	7,500	10,000	10,000	21,000	6.2	35,000	10.3	41,600	12.2	1,951	2,787	3,901	3.7	9.9
	9	9	9	18	45	7,000	7,000	7,000	14,000	21,000	6.2	35,000	10.3	41,600	12.2	1,951	2,787	3,901	3.7	9.9
	9	12	12	12	45	7,000	9,333	9,333	9,333	21,000	6.2	35,000	10.3	41,600	12.2	1,951	2,787	3,901	3.7	9.9
	9	9	12	18	48	6,563	6,563	8,750	13,125	21,000	6.2	35,000	10.3	41,600	12.2	1,951	2,787	3,901	3.7	9.9
	12	12	12	12	48	8,750	8,750	8,750	8,750	21,000	6.2	35,000	10.3	41,600	12.2	1,951	2,787	3,901	3.7	9.9

#### Note :

- Capacities are based on the following conditions:
  - Cooling: - Indoor Temperature 26.7°C (80°F) DB / 19.4°C (67°F) WB
  - Outdoor Temperature 35°C (95°F) DB / 23.9°C (75°F) WB
  - Heating: - Indoor Temperature 21.1°C (70°F) DB / 15.6°C (60°F) WB
  - Outdoor Temperature 8.3°C (47°F) DB / 6.1°C (43°F) WB
  - Piping Length - Interconnecting Piping Length 7.6m (25ft)
  - Level Difference of Zero
- Wiring cable size must comply with the applicable local and national codes.
- The specification may be subject to change without prior notice for purpose of improvement.
- Maximum sum of connected indoor units capacity is 48 kBtu/h.
- At least two indoor units should be connected.



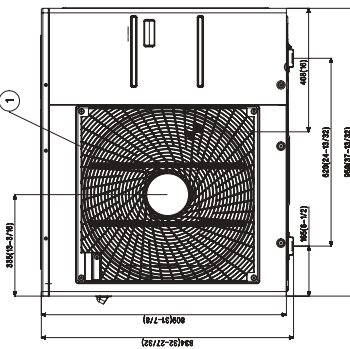
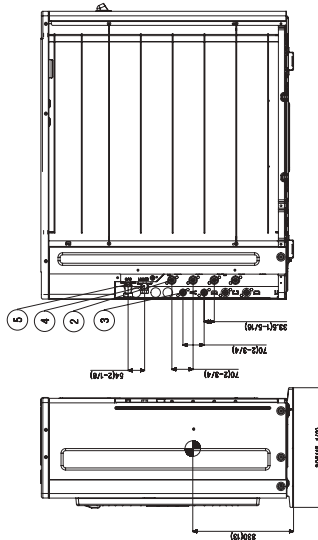
# MULTI ZONE

## 4. Dimensions

[Unit : mm(inch)]  
 Gravity point

OUTDOOR UNIT		
MR36TQY3JMA		

No.	Part Name	Remark
1	Air discharge grille	
2	Gas pipe connection	
3	Liquid pipe connection	
4	Main service valve(Liquid)	
5	Main service valve(Gas)	

**Note**

1. Unit should be installed in compliance with the installation manual in the product box.
2. Unit should be grounded in accordance with the local regulations or applicable national codes.
3. All electrical components and materials to be supplied on the site must comply with the local regulations or international codes.
4. Electrical characteristics chapter should be considered for electrical work and design. Especially the capacity of power cable and circuit breaker for outdoor unit should be more than that of electrical characteristics chapter.

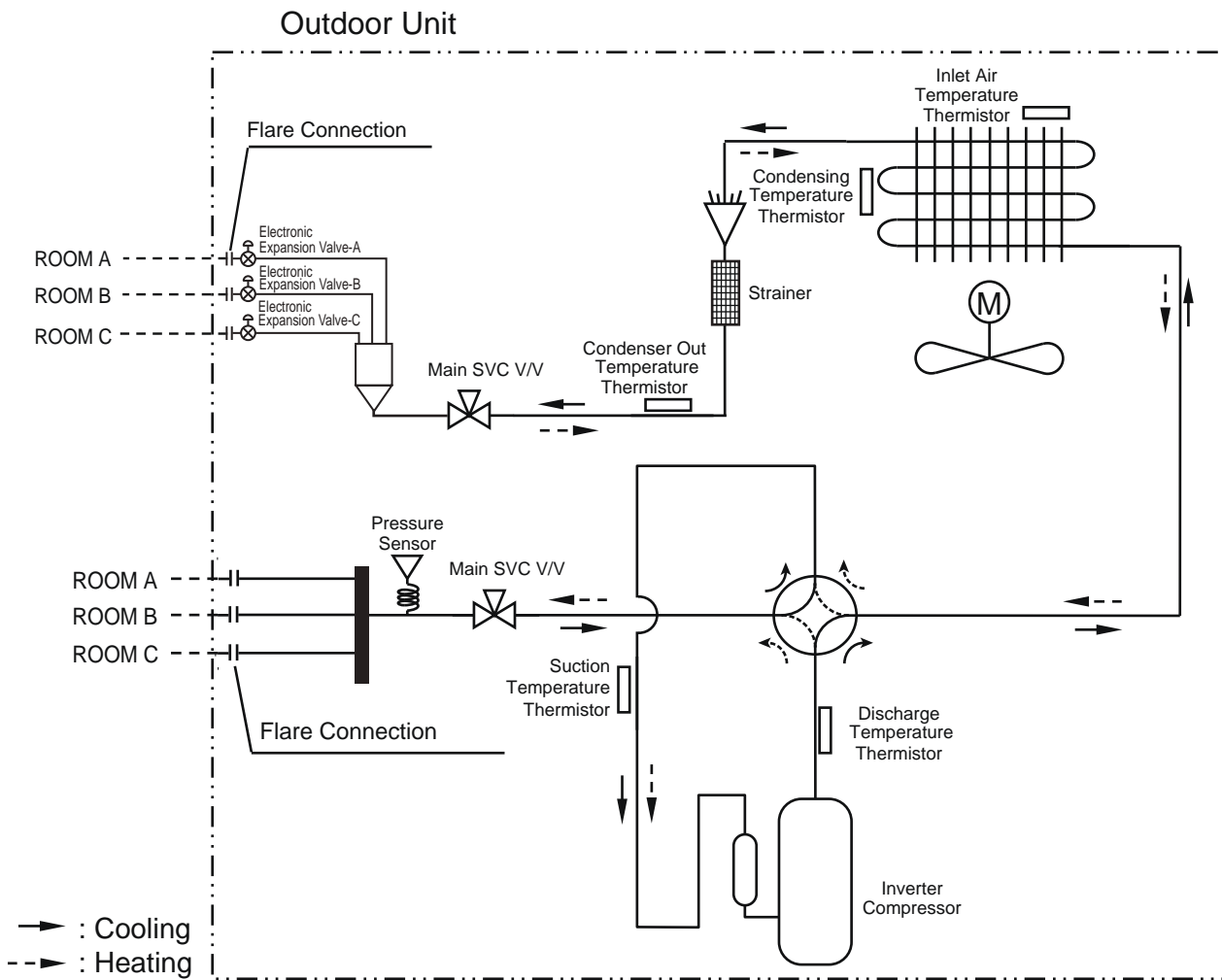


10001 Reunion Place, Suite 500  
 San Antonio, TX 78216

# MULTI ZONE

## 5. Piping diagrams

Models : MR24DY3JMA

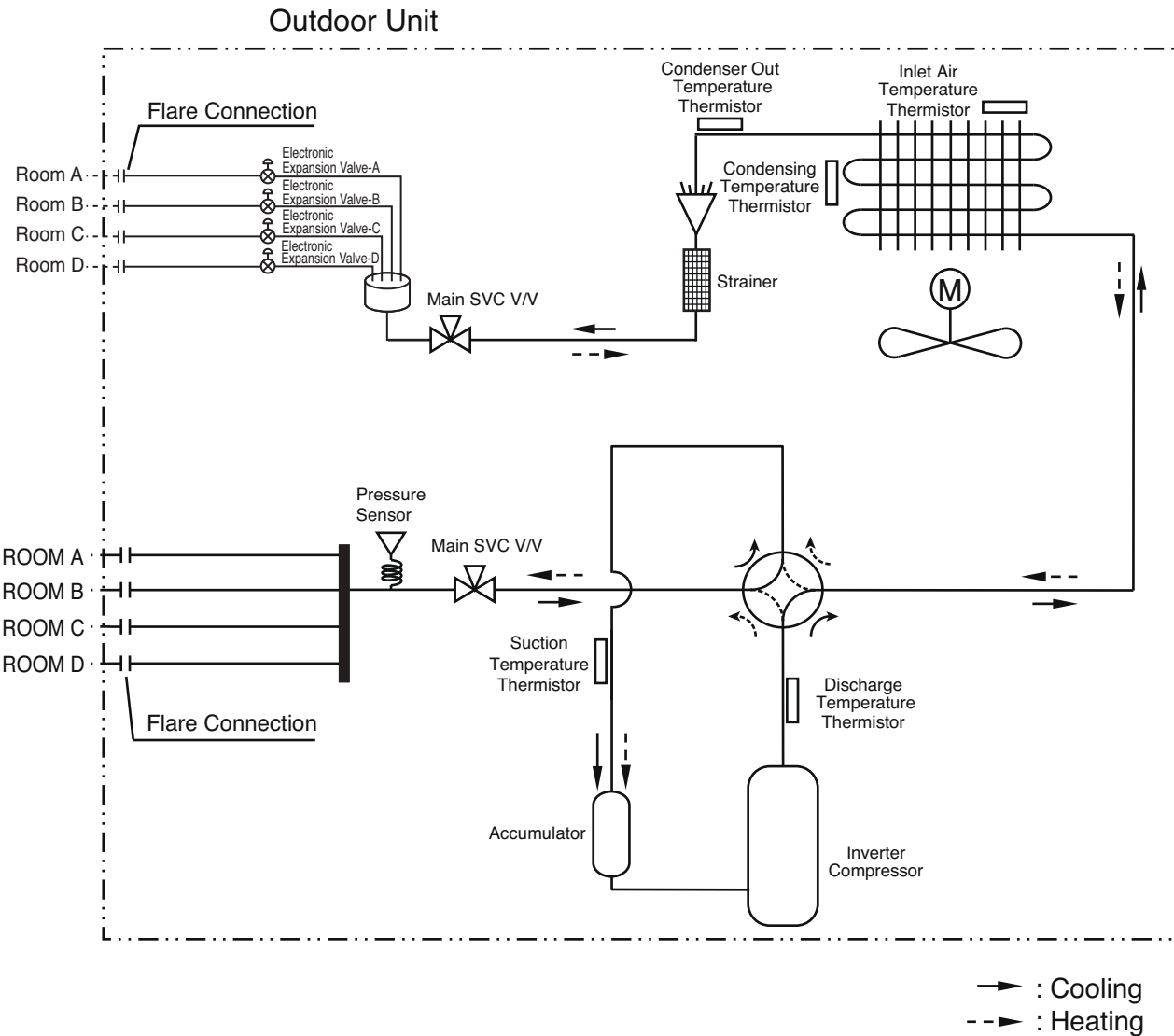


Description	PCB Connector
Condenser out temperature Thermistor	CN_C/PIPE
Condensing temperature Thermistor	CN_MID
Inlet air temperature Thermistor	CN_AIR
Discharge temperature Thermistor	CN_DISCHARGE
Suction temperature Thermistor	CN_SUCTION
Pressure Sensor	CN_H/PRESS

# MULTI ZONE

## 5. Piping diagrams

Models : MR36TQY3JMA

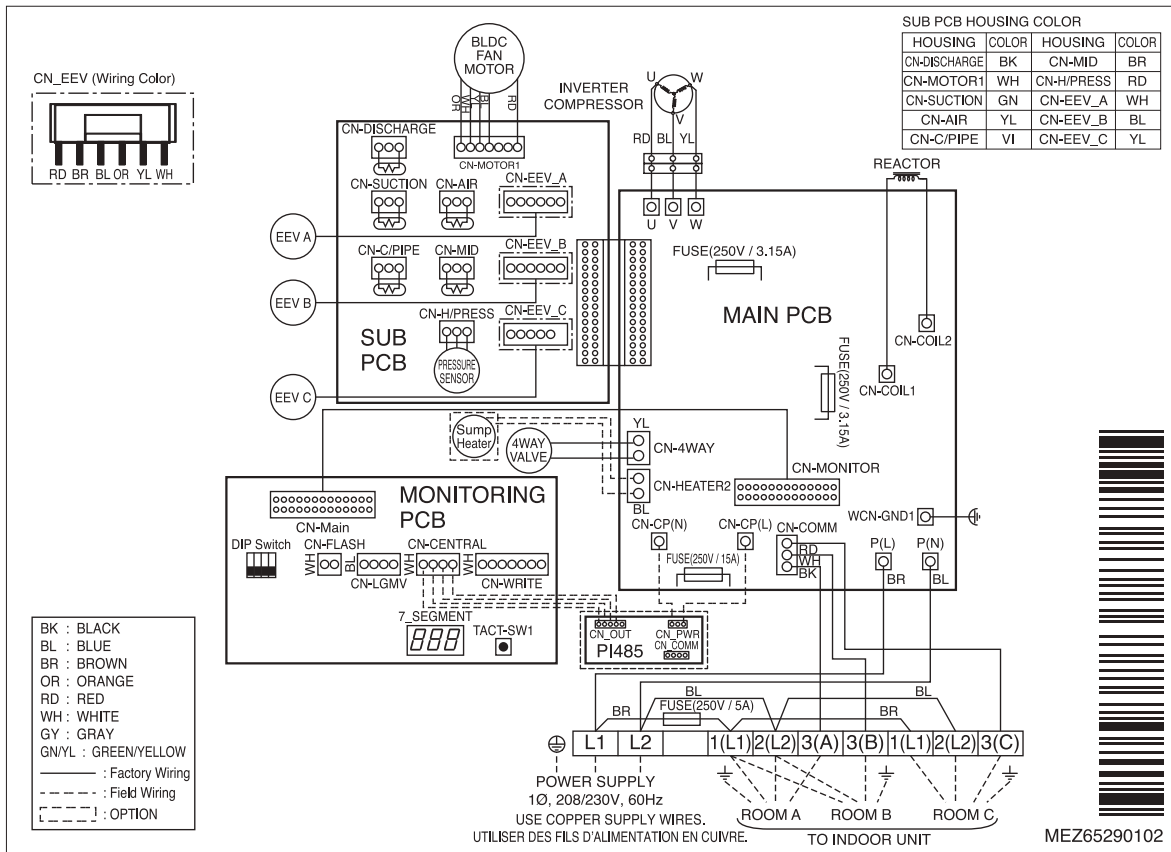


Description	PCB Connector
Condensing temperature Thermistor	CN_TH4
Condenser out temperature Thermistor	CN_TH2
Inlet air temperature Thermistor	
Discharge temperature Thermistor	CN_TH3
Suction temperature Thermistor	
Pressure Sensor	CN_TH1

# MULTI ZONE

## 6. Wiring diagram

Models : MR24DY3JMA

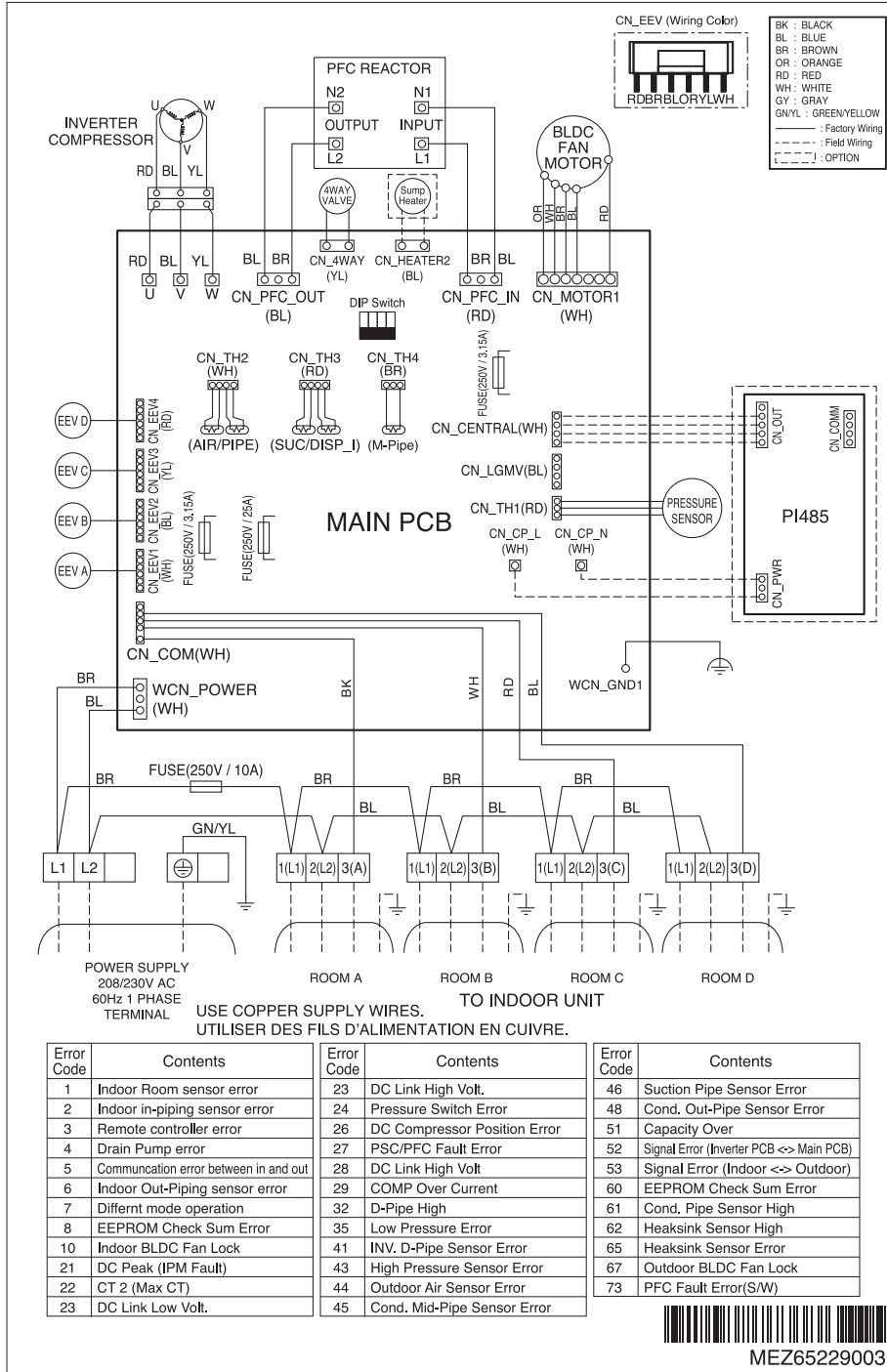


Part 2 Product data Outdoor units

# MULTI ZONE

## 6. Wiring diagram

Models : MR36TQY3JMA



MEZ65229003

Part 2 Product data\_ Outdoor units

# MULTI ZONE

## 7. Capacity tables

Models : MR24DY3JMA

### ■ Non ducted type indoor unit

#### Cooling capacity

Operation	Combination Capacity Index	Outdoor Air Temp.: °FDB	Indoor Air Temp. °F DB / °F WB												
			68 / 57		73 / 61		77 / 64		80 / 67		86 / 72		90 / 75		
			TC	PI	TC	PI	TC	PI	TC	PI	TC	PI	TC	PI	
			kBtu/h	kW	kBtu/h	kW	kBtu/h	kW	kBtu/h	kW	kBtu/h	kW	kBtu/h	kW	
2 UNITS	9 + 9	14	17.65	0.90	18.74	0.93	19.84	0.97	20.63	0.98	22.03	1.00	23.12	1.02	
		20	17.63	0.91	18.73	0.95	19.82	0.98	20.61	0.99	22.01	1.01	23.11	1.03	
		25	17.62	0.93	18.71	0.96	19.81	1.00	20.60	1.01	22.00	1.03	23.09	1.05	
		30	17.60	0.94	18.70	0.97	19.79	1.01	20.58	1.02	21.98	1.04	23.07	1.06	
		35	17.59	0.95	18.68	0.99	19.78	1.02	20.57	1.04	21.96	1.05	23.05	1.08	
		40	17.58	0.97	18.67	1.00	19.76	1.04	20.55	1.05	21.94	1.07	23.04	1.09	
		45	17.56	0.98	18.66	1.01	19.75	1.05	20.53	1.06	21.93	1.08	23.02	1.11	
		50	17.55	0.99	18.64	1.03	19.73	1.07	20.52	1.08	21.91	1.10	23.00	1.12	
		55	17.54	1.00	18.63	1.04	19.72	1.08	20.50	1.09	21.89	1.11	22.98	1.13	
		60	17.52	1.02	18.61	1.05	19.70	1.09	20.49	1.11	21.88	1.13	22.97	1.15	
		65	17.51	1.03	18.60	1.07	19.69	1.11	20.47	1.12	21.86	1.14	22.95	1.16	
		70	17.50	1.04	18.58	1.08	19.67	1.12	20.46	1.13	21.84	1.16	22.93	1.18	
		75	17.08	1.10	18.16	1.14	19.24	1.18	20.03	1.20	21.41	1.22	22.50	1.24	
		80	16.66	1.16	17.74	1.20	18.82	1.24	19.60	1.26	20.98	1.28	22.06	1.31	
		85	16.24	1.21	17.32	1.26	18.40	1.30	19.17	1.32	20.55	1.34	21.63	1.37	
		90	15.82	1.27	16.90	1.32	17.97	1.36	18.75	1.38	20.12	1.40	21.20	1.43	
		95	15.37	1.33	16.44	1.37	17.51	1.42	18.00	1.44	19.65	1.47	20.72	1.50	
		100	14.99	1.38	16.06	1.43	17.13	1.48	17.77	1.50	19.28	1.53	20.35	1.56	
		105	14.62	1.44	15.69	1.49	16.76	1.54	17.53	1.56	18.90	1.59	19.97	1.62	
		110	14.24	1.49	15.32	1.55	16.39	1.61	17.16	1.62	18.53	1.65	19.60	1.69	
	115	13.87	1.55	14.94	1.61	16.01	1.67	16.79	1.68	18.15	1.72	19.22	1.75		
	118	13.65	1.58	14.72	1.64	15.79	1.70	16.56	1.72	17.93	1.75	19.00	1.79		
	122	13.57	1.63	14.64	1.69	15.71	1.75	16.49	1.77	17.85	1.80	18.92	1.84		
	14	9 + 12	14	19.61	0.99	20.82	1.02	22.04	1.06	22.92	1.07	24.48	1.09	25.69	1.12
	20		19.59	1.00	20.81	1.04	22.02	1.08	22.90	1.09	24.46	1.11	25.67	1.13	
	25		19.58	1.02	20.79	1.05	22.01	1.09	22.89	1.11	24.44	1.13	25.65	1.15	
	30		19.56	1.03	20.78	1.07	21.99	1.11	22.87	1.12	24.42	1.14	25.64	1.16	
	35		19.55	1.05	20.76	1.08	21.97	1.12	22.85	1.14	24.40	1.16	25.62	1.18	
	40		19.53	1.06	20.74	1.10	21.96	1.14	22.83	1.15	24.38	1.17	25.60	1.20	
	45		19.52	1.07	20.73	1.11	21.94	1.15	22.82	1.17	24.36	1.19	25.58	1.21	
	50		19.50	1.09	20.71	1.13	21.92	1.17	22.80	1.18	24.35	1.20	25.56	1.23	
	55		19.49	1.10	20.70	1.14	21.91	1.18	22.78	1.20	24.33	1.22	25.54	1.25	
	60		19.47	1.12	20.68	1.16	21.89	1.20	22.76	1.21	24.31	1.24	25.52	1.26	
	65		19.46	1.13	20.66	1.17	21.87	1.21	22.75	1.23	24.29	1.25	25.50	1.28	
	70		19.44	1.15	20.65	1.19	21.86	1.23	22.73	1.24	24.27	1.27	25.48	1.29	
	75		18.97	1.21	20.18	1.25	21.38	1.30	22.25	1.31	23.79	1.34	25.00	1.36	
	80		18.51	1.27	19.71	1.31	20.91	1.36	21.78	1.38	23.31	1.40	24.51	1.43	
	85		18.04	1.33	19.24	1.38	20.44	1.43	21.30	1.45	22.84	1.47	24.03	1.50	
	90		17.58	1.39	18.77	1.44	19.97	1.50	20.83	1.51	22.36	1.54	23.56	1.57	
	95		17.08	1.45	18.26	1.51	19.45	1.56	20.00	1.58	21.83	1.61	23.02	1.64	
	100		16.66	1.52	17.85	1.57	19.04	1.63	19.74	1.65	21.42	1.68	22.61	1.71	
	105		16.24	1.58	17.43	1.64	18.62	1.69	19.48	1.71	21.00	1.75	22.19	1.78	
	110		15.83	1.64	17.02	1.70	18.21	1.76	19.07	1.78	20.59	1.81	21.78	1.85	
	115	15.41	1.70	16.60	1.76	17.79	1.83	18.65	1.85	20.17	1.88	21.36	1.92		
	118	15.16	1.74	16.35	1.80	17.54	1.87	18.40	1.89	19.92	1.92	21.11	1.96		
	122	15.08	1.79	16.27	1.85	17.46	1.92	18.32	1.94	19.84	1.98	21.03	2.02		
	14	12 + 12	14	19.61	0.99	20.82	1.02	22.04	1.06	22.92	1.07	24.48	1.09	25.69	1.12
	20		19.59	1.00	20.81	1.04	22.02	1.08	22.90	1.09	24.46	1.11	25.67	1.13	
	25		19.58	1.02	20.79	1.05	22.01	1.09	22.89	1.11	24.44	1.13	25.65	1.15	
	30		19.56	1.03	20.78	1.07	21.99	1.11	22.87	1.12	24.42	1.14	25.64	1.16	
	35		19.55	1.05	20.76	1.08	21.97	1.12	22.85	1.14	24.40	1.16	25.62	1.18	
	40		19.53	1.06	20.74	1.10	21.96	1.14	22.83	1.15	24.38	1.17	25.60	1.20	
	45		19.52	1.07	20.73	1.11	21.94	1.15	22.82	1.17	24.36	1.19	25.58	1.21	
	50		19.50	1.09	20.71	1.13	21.92	1.17	22.80	1.18	24.35	1.20	25.56	1.23	
	55		19.49	1.10	20.70	1.14	21.91	1.18	22.78	1.20	24.33	1.22	25.54	1.25	
	60		19.47	1.12	20.68	1.16	21.89	1.20	22.76	1.21	24.31	1.24	25.52	1.26	
	65		19.46	1.13	20.66	1.17	21.87	1.21	22.75	1.23	24.29	1.25	25.50	1.28	
	70		19.44	1.15	20.65	1.19	21.86	1.23	22.73	1.24	24.27	1.27	25.48	1.29	
	75		18.97	1.21	20.18	1.25	21.38	1.30	22.25	1.31	23.79	1.34	25.00	1.36	
	80		18.51	1.27	19.71	1.31	20.91	1.36	21.78	1.38	23.31	1.40	24.51	1.43	
	85		18.04	1.33	19.24	1.38	20.44	1.43	21.30	1.45	22.84	1.47	24.03	1.50	
	90		17.58	1.39	18.77	1.44	19.97	1.50	20.83	1.51	22.36	1.54	23.56	1.57	
	95		17.08	1.45	18.26	1.51	19.45	1.56	20.00	1.58	21.83	1.61	23.02	1.64	
	100		16.66	1.52	17.85	1.57	19.04	1.63	19.74	1.65	21.42	1.68	22.61	1.71	
	105		16.24	1.58	17.43	1.64	18.62	1.69	19.48	1.71	21.00	1.75	22.19	1.78	
	110		15.83	1.64	17.02	1.70	18.21	1.76	19.07	1.78	20.59	1.81	21.78	1.85	
	115	15.41	1.70	16.60	1.76	17.79	1.83	18.65	1.85	20.17	1.88	21.36	1.92		
	118	15.16	1.74	16.35	1.80	17.54	1.87	18.40	1.89	19.92	1.92	21.11	1.96		
	122	15.08	1.79	16.27	1.85	17.46	1.92	18.32	1.94	19.84	1.98	21.03	2.02		

Part 2 Product data Outdoor units

# MULTI ZONE

## 7. Capacity tables

Models : MR24DY3JMA

### ■ Non ducted type indoor unit Cooling capacity

Operation	Combination Capacity Index	Outdoor Air Temp.: °FDB	Indoor Air Temp. °F DB / °F WB													
			68 / 57		73 / 61		77 / 64		80 / 67		86 / 72		90 / 75			
			TC	PI	TC	PI	TC	PI	TC	PI	TC	PI	TC	PI		
			kBtu/h	kW	kBtu/h	kW	kBtu/h	kW	kBtu/h	kW	kBtu/h	kW	kBtu/h	kW		
2 UNITS	9 + 18	14	19.61	0.99	20.82	1.02	22.04	1.06	22.92	1.07	24.48	1.09	25.69	1.12		
		20	19.59	1.00	20.81	1.04	22.02	1.08	22.90	1.09	24.46	1.11	25.67	1.13		
		25	19.58	1.02	20.79	1.05	22.01	1.09	22.89	1.11	24.44	1.13	25.65	1.15		
		30	19.56	1.03	20.78	1.07	21.99	1.11	22.87	1.12	24.42	1.14	25.64	1.16		
		35	19.55	1.05	20.76	1.08	21.97	1.12	22.85	1.14	24.40	1.16	25.62	1.18		
		40	19.53	1.06	20.74	1.10	21.96	1.14	22.83	1.15	24.38	1.17	25.60	1.20		
		45	19.52	1.07	20.73	1.11	21.94	1.15	22.82	1.17	24.36	1.19	25.58	1.21		
		50	19.50	1.09	20.71	1.13	21.92	1.17	22.80	1.18	24.35	1.20	25.56	1.23		
		55	19.49	1.10	20.70	1.14	21.91	1.18	22.78	1.20	24.33	1.22	25.54	1.25		
		60	19.47	1.12	20.68	1.16	21.89	1.20	22.76	1.21	24.31	1.24	25.52	1.26		
		65	19.46	1.13	20.66	1.17	21.87	1.21	22.75	1.23	24.29	1.25	25.50	1.28		
		70	19.44	1.15	20.65	1.19	21.86	1.23	22.73	1.24	24.27	1.27	25.48	1.29		
	75	18.97	1.21	20.18	1.25	21.38	1.30	22.25	1.31	23.79	1.34	25.00	1.36			
	80	18.51	1.27	19.71	1.31	20.91	1.36	21.78	1.38	23.31	1.40	24.51	1.43			
	85	18.04	1.33	19.24	1.38	20.44	1.43	21.30	1.45	22.84	1.47	24.03	1.50			
	90	17.58	1.39	18.77	1.44	19.97	1.50	20.83	1.51	22.36	1.54	23.56	1.57			
	95	17.08	1.45	18.26	1.51	19.45	1.56	20.00	1.58	21.83	1.61	23.02	1.64			
	100	16.66	1.52	17.85	1.57	19.04	1.63	19.74	1.65	21.42	1.68	22.61	1.71			
	105	16.24	1.58	17.43	1.64	18.62	1.69	19.48	1.71	21.00	1.75	22.19	1.78			
	110	15.83	1.64	17.02	1.70	18.21	1.76	19.07	1.78	20.59	1.81	21.78	1.85			
	115	15.41	1.70	16.60	1.76	17.79	1.83	18.65	1.85	20.17	1.88	21.36	1.92			
	118	15.16	1.74	16.35	1.80	17.54	1.87	18.40	1.89	19.92	1.92	21.11	1.96			
	122	15.08	1.79	16.27	1.85	17.46	1.92	18.32	1.94	19.84	1.98	21.03	2.02			
	2 UNITS	12 + 18	14	19.61	0.99	20.82	1.02	22.04	1.06	22.92	1.07	24.48	1.09	25.69	1.12	
20			19.59	1.00	20.81	1.04	22.02	1.08	22.90	1.09	24.46	1.11	25.67	1.13		
25			19.58	1.02	20.79	1.05	22.01	1.09	22.89	1.11	24.44	1.13	25.65	1.15		
30			19.56	1.03	20.78	1.07	21.99	1.11	22.87	1.12	24.42	1.14	25.64	1.16		
35			19.55	1.05	20.76	1.08	21.97	1.12	22.85	1.14	24.40	1.16	25.62	1.18		
40			19.53	1.06	20.74	1.10	21.96	1.14	22.83	1.15	24.38	1.17	25.60	1.20		
45			19.52	1.07	20.73	1.11	21.94	1.15	22.82	1.17	24.36	1.19	25.58	1.21		
50			19.50	1.09	20.71	1.13	21.92	1.17	22.80	1.18	24.35	1.20	25.56	1.23		
55			19.49	1.10	20.70	1.14	21.91	1.18	22.78	1.20	24.33	1.22	25.54	1.25		
60			19.47	1.12	20.68	1.16	21.89	1.20	22.76	1.21	24.31	1.24	25.52	1.26		
65			19.46	1.13	20.66	1.17	21.87	1.21	22.75	1.23	24.29	1.25	25.50	1.28		
70			19.44	1.15	20.65	1.19	21.86	1.23	22.73	1.24	24.27	1.27	25.48	1.29		
75		18.97	1.21	20.18	1.25	21.38	1.30	22.25	1.31	23.79	1.34	25.00	1.36			
80		18.51	1.27	19.71	1.31	20.91	1.36	21.78	1.38	23.31	1.40	24.51	1.43			
85		18.04	1.33	19.24	1.38	20.44	1.43	21.30	1.45	22.84	1.47	24.03	1.50			
90		17.58	1.39	18.77	1.44	19.97	1.50	20.83	1.51	22.36	1.54	23.56	1.57			
95		17.08	1.45	18.26	1.51	19.45	1.56	20.00	1.58	21.83	1.61	23.02	1.64			
100		16.66	1.52	17.85	1.57	19.04	1.63	19.74	1.65	21.42	1.68	22.61	1.71			
105		16.24	1.58	17.43	1.64	18.62	1.69	19.48	1.71	21.00	1.75	22.19	1.78			
110		15.83	1.64	17.02	1.70	18.21	1.76	19.07	1.78	20.59	1.81	21.78	1.85			
115		15.41	1.70	16.60	1.76	17.79	1.83	18.65	1.85	20.17	1.88	21.36	1.92			
118		15.16	1.74	16.35	1.80	17.54	1.87	18.40	1.89	19.92	1.92	21.11	1.96			
122		15.08	1.79	16.27	1.85	17.46	1.92	18.32	1.94	19.84	1.98	21.03	2.02			
3 UNITS		9 + 9 + 9	14	19.61	0.93	20.82	0.96	22.04	1.00	22.92	1.01	24.48	1.03	25.69	1.05	
	20		19.59	0.94	20.81	0.97	22.02	1.01	22.90	1.02	24.46	1.04	25.67	1.06		
	25		19.58	0.95	20.79	0.99	22.01	1.02	22.89	1.04	24.44	1.06	25.65	1.08		
	30		19.56	0.97	20.78	1.00	21.99	1.04	22.87	1.05	24.42	1.07	25.64	1.09		
	35		19.55	0.98	20.76	1.02	21.97	1.05	22.85	1.07	24.40	1.09	25.62	1.11		
	40		19.53	0.99	20.74	1.03	21.96	1.07	22.83	1.08	24.38	1.10	25.60	1.12		
	45		19.52	1.01	20.73	1.04	21.94	1.08	22.82	1.09	24.36	1.11	25.58	1.14		
	50		19.50	1.02	20.71	1.06	21.92	1.10	22.80	1.11	24.35	1.13	25.56	1.15		
	55		19.49	1.03	20.70	1.07	21.91	1.11	22.78	1.12	24.33	1.14	25.54	1.17		
	60		19.47	1.05	20.68	1.08	21.89	1.12	22.76	1.14	24.31	1.16	25.52	1.18		
	65		19.46	1.06	20.66	1.10	21.87	1.14	22.75	1.15	24.29	1.17	25.50	1.20		
	70		19.44	1.07	20.65	1.11	21.86	1.15	22.73	1.17	24.27	1.19	25.48	1.21		
	75	18.97	1.13	20.18	1.17	21.38	1.22	22.25	1.23	23.79	1.25	25.00	1.28			
	80	18.51	1.19	19.71	1.23	20.91	1.28	21.78	1.29	23.31	1.32	24.51	1.34			
	85	18.04	1.25	19.24	1.29	20.44	1.34	21.30	1.36	22.84	1.38	24.03	1.41			
	90	17.58	1.30	18.77	1.35	19.97	1.40	20.83	1.42	22.36	1.44	23.56	1.47			
	95	17.08	1.36	18.26	1.41	19.45	1.46	20.00	1.48	21.83	1.51	23.02	1.54			
	100	16.66	1.42	17.85	1.47	19.04	1.53	19.74	1.54	21.42	1.57	22.61	1.60			
	105	16.24	1.48	17.43	1.53	18.62	1.59	19.48	1.61	21.00	1.64	22.19	1.67			
	110	15.83	1.54	17.02	1.59	18.21	1.65	19.07	1.67	20.59	1.70	21.78	1.74			
	115	15.41	1.59	16.60	1.65	17.79	1.71	18.65	1.73	20.17	1.77	21.36	1.80			
	118	15.16	1.63	16.35	1.69	17.54	1.75	18.40	1.77	19.92	1.80	21.11	1.84			
	122	15.08	1.68	16.27	1.74	17.46	1.80	18.32	1.82	19.84	1.85	21.03	1.89			

Part 2 Product data\_ Outdoor units

# MULTI ZONE

## 7. Capacity tables

Models : MR24DY3JMA

### ■ Non ducted type indoor unit Cooling capacity

Operation	Combination Capacity Index	Outdoor Air Temp.: °FDB	Indoor Air Temp. °F DB / °F WB											
			68 / 57		73 / 61		77 / 64		80 / 67		86 / 72		90 / 75	
			TC	PI	TC	PI	TC	PI	TC	PI	TC	PI	TC	PI
			kBtu/h	kW	kBtu/h	kW	kBtu/h	kW	kBtu/h	kW	kBtu/h	kW	kBtu/h	kW
3 UNITS	9 + 9 + 12	14	19.61	0.93	20.82	0.96	22.04	1.00	22.92	1.01	24.48	1.03	25.69	1.05
		20	19.59	0.94	20.81	0.97	22.02	1.01	22.90	1.02	24.46	1.04	25.67	1.06
		25	19.58	0.95	20.79	0.99	22.01	1.02	22.89	1.04	24.44	1.06	25.65	1.08
		30	19.56	0.97	20.78	1.00	21.99	1.04	22.87	1.05	24.42	1.07	25.64	1.09
		35	19.55	0.98	20.76	1.02	21.97	1.05	22.85	1.07	24.40	1.09	25.62	1.11
		40	19.53	0.99	20.74	1.03	21.96	1.07	22.83	1.08	24.38	1.10	25.60	1.12
		45	19.52	1.01	20.73	1.04	21.94	1.08	22.82	1.09	24.36	1.11	25.58	1.14
		50	19.50	1.02	20.71	1.06	21.92	1.10	22.80	1.11	24.35	1.13	25.56	1.15
		55	19.49	1.03	20.70	1.07	21.91	1.11	22.78	1.12	24.33	1.14	25.54	1.17
		60	19.47	1.05	20.68	1.08	21.89	1.12	22.76	1.14	24.31	1.16	25.52	1.18
		65	19.46	1.06	20.66	1.10	21.87	1.14	22.75	1.15	24.29	1.17	25.50	1.20
		70	19.44	1.07	20.65	1.11	21.86	1.15	22.73	1.17	24.27	1.19	25.48	1.21
		75	18.97	1.13	20.18	1.17	21.38	1.22	22.25	1.23	23.79	1.25	25.00	1.28
		80	18.51	1.19	19.71	1.23	20.91	1.28	21.78	1.29	23.31	1.32	24.51	1.34
		85	18.04	1.25	19.24	1.29	20.44	1.34	21.30	1.36	22.84	1.38	24.03	1.41
		90	17.58	1.30	18.77	1.35	19.97	1.40	20.83	1.42	22.36	1.44	23.56	1.47
		95	17.08	1.36	18.26	1.41	19.45	1.46	20.30	1.48	21.83	1.51	23.02	1.54
		100	16.66	1.42	17.85	1.47	19.04	1.53	19.74	1.54	21.42	1.57	22.61	1.60
		105	16.24	1.48	17.43	1.53	18.62	1.59	19.48	1.61	21.00	1.64	22.19	1.67
		110	15.83	1.54	17.02	1.59	18.21	1.65	19.07	1.67	20.59	1.70	21.78	1.74
		115	15.41	1.59	16.60	1.65	17.79	1.71	18.65	1.73	20.17	1.77	21.36	1.80
		118	15.16	1.63	16.35	1.69	17.54	1.75	18.40	1.77	19.92	1.80	21.11	1.84
	122	15.08	1.68	16.27	1.74	17.46	1.80	18.32	1.82	19.84	1.85	21.03	1.89	
	9 + 12 + 12	14	19.61	0.93	20.82	0.96	22.04	1.00	22.92	1.01	24.48	1.03	25.69	1.05
		20	19.59	0.94	20.81	0.97	22.02	1.01	22.90	1.02	24.46	1.04	25.67	1.06
		25	19.58	0.95	20.79	0.99	22.01	1.02	22.89	1.04	24.44	1.06	25.65	1.08
		30	19.56	0.97	20.78	1.00	21.99	1.04	22.87	1.05	24.42	1.07	25.64	1.09
		35	19.55	0.98	20.76	1.02	21.97	1.05	22.85	1.07	24.40	1.09	25.62	1.11
		40	19.53	0.99	20.74	1.03	21.96	1.07	22.83	1.08	24.38	1.10	25.60	1.12
		45	19.52	1.01	20.73	1.04	21.94	1.08	22.82	1.09	24.36	1.11	25.58	1.14
		50	19.50	1.02	20.71	1.06	21.92	1.10	22.80	1.11	24.35	1.13	25.56	1.15
		55	19.49	1.03	20.70	1.07	21.91	1.11	22.78	1.12	24.33	1.14	25.54	1.17
		60	19.47	1.05	20.68	1.08	21.89	1.12	22.76	1.14	24.31	1.16	25.52	1.18
		65	19.46	1.06	20.66	1.10	21.87	1.14	22.75	1.15	24.29	1.17	25.50	1.20
		70	19.44	1.07	20.65	1.11	21.86	1.15	22.73	1.17	24.27	1.19	25.48	1.21
		75	18.97	1.13	20.18	1.17	21.38	1.22	22.25	1.23	23.79	1.25	25.00	1.28
		80	18.51	1.19	19.71	1.23	20.91	1.28	21.78	1.29	23.31	1.32	24.51	1.34
		85	18.04	1.25	19.24	1.29	20.44	1.34	21.30	1.36	22.84	1.38	24.03	1.41
		90	17.58	1.30	18.77	1.35	19.97	1.40	20.83	1.42	22.36	1.44	23.56	1.47
		95	17.08	1.36	18.26	1.41	19.45	1.46	20.30	1.48	21.83	1.51	23.02	1.54
		100	16.66	1.42	17.85	1.47	19.04	1.53	19.74	1.54	21.42	1.57	22.61	1.60
		105	16.24	1.48	17.43	1.53	18.62	1.59	19.48	1.61	21.00	1.64	22.19	1.67
		110	15.83	1.54	17.02	1.59	18.21	1.65	19.07	1.67	20.59	1.70	21.78	1.74
		115	15.41	1.59	16.60	1.65	17.79	1.71	18.65	1.73	20.17	1.77	21.36	1.80
118		15.16	1.63	16.35	1.69	17.54	1.75	18.40	1.77	19.92	1.80	21.11	1.84	
122	15.08	1.68	16.27	1.74	17.46	1.80	18.32	1.82	19.84	1.85	21.03	1.89		

**Notes:**

- Capacities are based on the following conditions.  
Corresponding refrigerant piping length : 25ft , Level difference : 0ft
- TC : Total Capacity (kBtu/h), PI : Power Input (kW)
- indicates reference data. When operating at this temperature, these values can be different by discontinuous operation.

Part 2 Product data Outdoor units

# MULTI ZONE

## 7. Capacity tables

Models : MR24DY3JMA

### ■ Non ducted type indoor unit Heating capacity

Operation	Combination Capacity Index (kBtu/h)	Outdoor Air Temp.		Indoor Air Temp.: °FDB											
				61		64		68		70		72		75	
		°F DB	°F WB	kBtu/h	kW	kBtu/h	kW	kBtu/h	kW	kBtu/h	kW	kBtu/h	kW	kBtu/h	kW
2 UNIT	9 + 9	-4	-4.4	6.35	1.32	5.83	1.37	5.83	1.39	5.77	1.40	5.72	1.40	5.46	1.46
		0	-0.4	8.08	1.33	7.58	1.38	7.47	1.40	7.37	1.41	7.29	1.42	6.98	1.48
		5	4.5	10.14	1.34	9.66	1.39	9.43	1.42	9.28	1.44	9.16	1.45	8.79	1.50
		10	9	11.52	1.35	11.05	1.40	10.74	1.44	10.56	1.46	10.41	1.47	10.00	1.52
		17	15	13.03	1.37	12.58	1.41	12.18	1.46	11.96	1.48	11.79	1.50	11.33	1.55
		20	19	13.95	1.38	13.51	1.42	13.06	1.47	12.81	1.50	12.62	1.52	12.14	1.56
		25	23	15.49	1.40	15.03	1.44	14.51	1.50	14.23	1.53	14.01	1.55	13.49	1.59
		30	28	17.04	1.43	16.51	1.48	15.95	1.52	15.65	1.56	15.42	1.58	14.85	1.62
		35	32	18.59	1.46	18.00	1.51	17.38	1.55	17.07	1.59	16.82	1.62	16.21	1.65
		40	36	19.54	1.50	18.99	1.55	18.38	1.60	18.06	1.63	17.81	1.66	17.16	1.70
		45	41	20.72	1.56	20.23	1.61	19.63	1.66	19.30	1.69	19.04	1.71	18.35	1.76
		47	43	21.19	1.58	20.72	1.63	20.13	1.68	19.80	1.71	19.54	1.73	18.83	1.79
	50	46	21.26	1.57	20.83	1.61	20.31	1.66	20.02	1.69	19.78	1.71	19.11	1.75	
	55	51	21.36	1.55	21.01	1.59	20.62	1.63	20.38	1.64	20.19	1.66	19.59	1.70	
	60	56	21.46	1.53	21.18	1.56	20.92	1.59	20.75	1.60	20.60	1.61	20.08	1.64	
	63	59	21.53	1.52	21.29	1.55	21.11	1.57	20.96	1.58	20.85	1.59	20.36	1.60	
	68	64	21.59	1.51	21.40	1.53	21.29	1.55	21.18	1.56	21.10	1.56	20.66	1.57	
	9 + 12	-4	-4.4	7.40	1.46	6.80	1.51	6.80	1.53	6.73	1.54	6.67	1.55	6.36	1.61
		0	-0.4	9.43	1.47	8.84	1.52	8.72	1.55	8.60	1.56	8.51	1.57	8.14	1.63
		5	4.5	11.83	1.48	11.27	1.54	11.00	1.57	10.83	1.59	10.69	1.60	10.25	1.66
		10	9	13.44	1.50	12.89	1.55	12.53	1.59	12.32	1.61	12.14	1.63	11.67	1.68
		17	15	15.20	1.51	14.68	1.56	14.21	1.61	13.96	1.64	13.75	1.66	13.22	1.71
		20	19	16.28	1.53	15.76	1.57	15.23	1.63	14.95	1.66	14.72	1.68	14.16	1.73
		25	23	18.07	1.55	17.54	1.60	16.93	1.66	16.61	1.69	16.35	1.72	15.73	1.76
		30	28	19.88	1.58	19.26	1.63	18.60	1.68	18.26	1.72	17.99	1.75	17.33	1.80
		35	32	21.69	1.61	21.00	1.67	20.28	1.71	19.92	1.75	19.63	1.79	18.92	1.83
		40	36	22.79	1.66	22.15	1.72	21.45	1.77	21.07	1.80	20.78	1.83	20.02	1.88
		45	41	24.17	1.72	23.60	1.78	22.90	1.83	22.52	1.87	22.22	1.89	21.41	1.95
		47	43	24.73	1.74	24.17	1.80	23.48	1.86	23.10	1.89	22.79	1.92	21.96	1.97
	50	46	24.80	1.73	24.30	1.78	23.70	1.84	23.35	1.86	23.08	1.89	22.30	1.94	
	55	51	24.92	1.71	24.51	1.76	24.05	1.80	23.78	1.82	23.56	1.83	22.86	1.87	
	60	56	25.04	1.70	24.72	1.73	24.41	1.76	24.20	1.77	24.04	1.78	23.42	1.81	
	63	59	25.11	1.68	24.84	1.71	24.63	1.74	24.46	1.75	24.32	1.75	23.76	1.77	
	68	64	25.19	1.67	24.97	1.69	24.84	1.71	24.71	1.72	24.61	1.72	24.10	1.74	
	12 + 12	-4	-4.4	7.69	1.50	7.07	1.55	7.06	1.57	6.99	1.59	6.93	1.59	6.61	1.65
		0	-0.4	9.79	1.51	9.19	1.56	9.06	1.59	8.94	1.60	8.84	1.62	8.46	1.67
5		4.5	12.29	1.52	11.71	1.58	11.43	1.61	11.25	1.63	11.10	1.64	10.65	1.70	
10		9	13.96	1.54	13.39	1.59	13.02	1.63	12.80	1.65	12.62	1.67	12.12	1.72	
17		15	15.80	1.55	15.25	1.60	14.77	1.65	14.50	1.68	14.29	1.70	13.74	1.75	
20		19	16.91	1.57	16.37	1.61	15.83	1.67	15.53	1.70	15.30	1.73	14.72	1.77	
25		23	18.78	1.59	18.22	1.64	17.59	1.70	17.25	1.73	16.99	1.76	16.35	1.81	
30		28	20.65	1.62	20.02	1.68	19.33	1.73	18.97	1.77	18.69	1.80	18.00	1.84	
35		32	22.53	1.66	21.82	1.71	21.07	1.76	20.69	1.80	20.39	1.83	19.65	1.88	
40		36	23.68	1.70	23.02	1.76	22.28	1.81	21.90	1.85	21.59	1.88	20.81	1.93	
45		41	25.12	1.76	24.52	1.82	23.79	1.88	23.40	1.91	23.08	1.94	22.24	2.00	
47		43	25.69	1.79	25.12	1.85	24.40	1.91	24.00	1.94	23.68	1.97	22.82	2.03	
50	46	25.77	1.78	25.25	1.83	24.62	1.88	24.26	1.91	23.98	1.93	23.17	1.99		
55	51	25.89	1.76	25.46	1.80	24.99	1.85	24.71	1.87	24.48	1.88	23.75	1.92		
60	56	26.02	1.74	25.68	1.77	25.36	1.81	25.15	1.82	24.97	1.83	24.33	1.86		
63	59	26.09	1.73	25.81	1.76	25.59	1.78	25.41	1.79	25.27	1.80	24.68	1.82		
68	64	26.17	1.72	25.94	1.74	25.81	1.76	25.68	1.76	25.57	1.77	25.04	1.78		

# MULTI ZONE

## 7. Capacity tables

Models : MR24DY3JMA

### ■ Non ducted type indoor unit Heating capacity

Operation	Combination Capacity Index (kBTu/h)	Outdoor Air Temp.		Indoor Air Temp.: °FDB											
				61		64		68		70		72		75	
		°F DB	°F WB	kBTu/h	kW	kBTu/h	kW	kBTu/h	kW	kBTu/h	kW	kBTu/h	kW	kBTu/h	kW
2 UNIT	9 + 18	-4	-4.4	7.69	1.50	7.07	1.55	7.06	1.57	6.99	1.59	6.93	1.59	6.61	1.65
		0	-0.4	9.79	1.51	9.19	1.56	9.06	1.59	8.94	1.60	8.84	1.62	8.46	1.67
		5	4.5	12.29	1.52	11.71	1.58	11.43	1.61	11.25	1.63	11.10	1.64	10.65	1.70
		10	9	13.96	1.54	13.39	1.59	13.02	1.63	12.80	1.65	12.62	1.67	12.12	1.72
		17	15	15.80	1.55	15.25	1.60	14.77	1.65	14.50	1.68	14.29	1.70	13.74	1.75
		20	19	16.91	1.57	16.37	1.61	15.83	1.67	15.53	1.70	15.30	1.73	14.72	1.77
		25	23	18.78	1.59	18.22	1.64	17.59	1.70	17.25	1.73	16.99	1.76	16.35	1.81
		30	28	20.65	1.62	20.02	1.68	19.33	1.73	18.97	1.77	18.69	1.80	18.00	1.84
		35	32	22.53	1.66	21.82	1.71	21.07	1.76	20.69	1.80	20.39	1.83	19.65	1.88
		40	36	23.68	1.70	23.02	1.76	22.28	1.81	21.90	1.85	21.59	1.88	20.81	1.93
		45	41	25.12	1.76	24.52	1.82	23.79	1.88	23.40	1.91	23.08	1.94	22.24	2.00
		47	43	25.69	1.79	25.12	1.85	24.40	1.91	24.00	1.94	23.68	1.97	22.82	2.03
	50	46	25.77	1.78	25.25	1.83	24.62	1.88	24.26	1.91	23.98	1.93	23.17	1.99	
	55	51	25.89	1.76	25.46	1.80	24.99	1.85	24.71	1.87	24.48	1.88	23.75	1.92	
	60	56	26.02	1.74	25.68	1.77	25.36	1.81	25.15	1.82	24.97	1.83	24.33	1.86	
	63	59	26.09	1.73	25.81	1.76	25.59	1.78	25.41	1.79	25.27	1.80	24.68	1.82	
	68	64	26.17	1.72	25.94	1.74	25.81	1.76	25.68	1.76	25.57	1.77	25.04	1.78	
	12 + 18	-4	-4.4	7.69	1.50	7.07	1.55	7.06	1.57	6.99	1.59	6.93	1.59	6.61	1.65
		0	-0.4	9.79	1.51	9.19	1.56	9.06	1.59	8.94	1.60	8.84	1.62	8.46	1.67
		5	4.5	12.29	1.52	11.71	1.58	11.43	1.61	11.25	1.63	11.10	1.64	10.65	1.70
		10	9	13.96	1.54	13.39	1.59	13.02	1.63	12.80	1.65	12.62	1.67	12.12	1.72
		17	15	15.80	1.55	15.25	1.60	14.77	1.65	14.50	1.68	14.29	1.70	13.74	1.75
		20	19	16.91	1.57	16.37	1.61	15.83	1.67	15.53	1.70	15.30	1.73	14.72	1.77
		25	23	18.78	1.59	18.22	1.64	17.59	1.70	17.25	1.73	16.99	1.76	16.35	1.81
30		28	20.65	1.62	20.02	1.68	19.33	1.73	18.97	1.77	18.69	1.80	18.00	1.84	
35		32	22.53	1.66	21.82	1.71	21.07	1.76	20.69	1.80	20.39	1.83	19.65	1.88	
40		36	23.68	1.70	23.02	1.76	22.28	1.81	21.90	1.85	21.59	1.88	20.81	1.93	
45		41	25.12	1.76	24.52	1.82	23.79	1.88	23.40	1.91	23.08	1.94	22.24	2.00	
47		43	25.69	1.79	25.12	1.85	24.40	1.91	24.00	1.94	23.68	1.97	22.82	2.03	
50	46	25.77	1.78	25.25	1.83	24.62	1.88	24.26	1.91	23.98	1.93	23.17	1.99		
55	51	25.89	1.76	25.46	1.80	24.99	1.85	24.71	1.87	24.48	1.88	23.75	1.92		
60	56	26.02	1.74	25.68	1.77	25.36	1.81	25.15	1.82	24.97	1.83	24.33	1.86		
63	59	26.09	1.73	25.81	1.76	25.59	1.78	25.41	1.79	25.27	1.80	24.68	1.82		
68	64	26.17	1.72	25.94	1.74	25.81	1.76	25.68	1.76	25.57	1.77	25.04	1.78		
3 UNIT	9 + 9 + 9	-4	-4.4	7.69	1.39	7.07	1.44	7.06	1.46	6.99	1.47	6.93	1.48	6.61	1.53
		0	-0.4	9.79	1.40	9.19	1.45	9.06	1.48	8.94	1.49	8.84	1.50	8.46	1.55
		5	4.5	12.29	1.41	11.71	1.46	11.43	1.49	11.25	1.51	11.10	1.53	10.65	1.58
		10	9	13.96	1.43	13.39	1.47	13.02	1.51	12.80	1.53	12.62	1.55	12.12	1.60
		17	15	15.80	1.44	15.25	1.49	14.77	1.53	14.50	1.56	14.29	1.58	13.74	1.63
		20	19	16.91	1.45	16.37	1.50	15.83	1.55	15.53	1.58	15.30	1.60	14.72	1.65
		25	23	18.78	1.48	18.22	1.52	17.59	1.58	17.25	1.61	16.99	1.63	16.35	1.68
		30	28	20.65	1.51	20.02	1.56	19.33	1.60	18.97	1.64	18.69	1.67	18.00	1.71
		35	32	22.53	1.54	21.82	1.59	21.07	1.63	20.69	1.67	20.39	1.70	19.65	1.74
		40	36	23.68	1.58	23.02	1.64	22.28	1.68	21.90	1.72	21.59	1.75	20.81	1.79
		45	41	25.12	1.64	24.52	1.69	23.79	1.74	23.40	1.78	23.08	1.80	22.24	1.85
		47	43	25.69	1.66	25.12	1.71	24.40	1.77	24.00	1.80	23.68	1.82	22.82	1.88
50	46	25.77	1.65	25.25	1.70	24.62	1.75	24.26	1.77	23.98	1.80	23.17	1.84		
55	51	25.89	1.63	25.46	1.67	24.99	1.71	24.71	1.73	24.48	1.75	23.75	1.78		
60	56	26.02	1.61	25.68	1.65	25.36	1.68	25.15	1.69	24.97	1.70	24.33	1.72		
63	59	26.09	1.60	25.81	1.63	25.59	1.65	25.41	1.66	25.27	1.67	24.68	1.69		
68	64	26.17	1.59	25.94	1.61	25.81	1.63	25.68	1.64	25.57	1.64	25.04	1.65		

# MULTI ZONE

## 7. Capacity tables

Models : MR24DY3JMA

### ■ Non ducted type indoor unit Heating capacity

Operation	Combination Capacity Index (kBtu/h)	Outdoor Air Temp.		Indoor Air Temp.: °FDB											
				61		64		68		70		72		75	
		°F DB	°F WB	TC	PI	TC	PI	TC	PI	TC	PI	TC	PI	TC	PI
3 UNIT	9 + 9 + 12	-4	-4.4	7.69	1.39	7.07	1.44	7.06	1.46	6.99	1.47	6.93	1.48	6.61	1.53
		0	-0.4	9.79	1.40	9.19	1.45	9.06	1.48	8.94	1.49	8.84	1.50	8.46	1.55
		5	4.5	12.29	1.41	11.71	1.46	11.43	1.49	11.25	1.51	11.10	1.53	10.65	1.58
		10	9	13.96	1.43	13.39	1.47	13.02	1.51	12.80	1.53	12.62	1.55	12.12	1.60
		17	15	15.80	1.44	15.25	1.49	14.77	1.53	14.50	1.56	14.29	1.58	13.74	1.63
		20	19	16.91	1.45	16.37	1.50	15.83	1.55	15.53	1.58	15.30	1.60	14.72	1.65
		25	23	18.78	1.48	18.22	1.52	17.59	1.58	17.25	1.61	16.99	1.63	16.35	1.68
		30	28	20.65	1.51	20.02	1.56	19.33	1.60	18.97	1.64	18.69	1.67	18.00	1.71
		35	32	22.53	1.54	21.82	1.59	21.07	1.63	20.69	1.67	20.39	1.70	19.65	1.74
		40	36	23.68	1.58	23.02	1.64	22.28	1.68	21.90	1.72	21.59	1.75	20.81	1.79
		45	41	25.12	1.64	24.52	1.69	23.79	1.74	23.40	1.78	23.08	1.80	22.24	1.85
		47	43	25.69	1.66	25.12	1.71	24.40	1.77	24.00	1.80	23.68	1.82	22.82	1.88
		50	46	25.77	1.65	25.25	1.70	24.62	1.75	24.26	1.77	23.98	1.80	23.17	1.84
		55	51	25.89	1.63	25.46	1.67	24.99	1.71	24.71	1.73	24.48	1.75	23.75	1.78
	60	56	26.02	1.61	25.68	1.65	25.36	1.68	25.15	1.69	24.97	1.70	24.33	1.72	
	63	59	26.09	1.60	25.81	1.63	25.59	1.65	25.41	1.66	25.27	1.67	24.68	1.69	
	68	64	26.17	1.59	25.94	1.61	25.81	1.63	25.68	1.64	25.57	1.64	25.04	1.65	
	9 + 12 + 12	-4	-4.4	7.69	1.39	7.07	1.44	7.06	1.46	6.99	1.47	6.93	1.48	6.61	1.53
		0	-0.4	9.79	1.40	9.19	1.45	9.06	1.48	8.94	1.49	8.84	1.50	8.46	1.55
		5	4.5	12.29	1.41	11.71	1.46	11.43	1.49	11.25	1.51	11.10	1.53	10.65	1.58
		10	9	13.96	1.43	13.39	1.47	13.02	1.51	12.80	1.53	12.62	1.55	12.12	1.60
		17	15	15.80	1.44	15.25	1.49	14.77	1.53	14.50	1.56	14.29	1.58	13.74	1.63
		20	19	16.91	1.45	16.37	1.50	15.83	1.55	15.53	1.58	15.30	1.60	14.72	1.65
		25	23	18.78	1.48	18.22	1.52	17.59	1.58	17.25	1.61	16.99	1.63	16.35	1.68
		30	28	20.65	1.51	20.02	1.56	19.33	1.60	18.97	1.64	18.69	1.67	18.00	1.71
		35	32	22.53	1.54	21.82	1.59	21.07	1.63	20.69	1.67	20.39	1.70	19.65	1.74
		40	36	23.68	1.58	23.02	1.64	22.28	1.68	21.90	1.72	21.59	1.75	20.81	1.79
		45	41	25.12	1.64	24.52	1.69	23.79	1.74	23.40	1.78	23.08	1.80	22.24	1.85
47		43	25.69	1.66	25.12	1.71	24.40	1.77	24.00	1.80	23.68	1.82	22.82	1.88	
50		46	25.77	1.65	25.25	1.70	24.62	1.75	24.26	1.77	23.98	1.80	23.17	1.84	
55		51	25.89	1.63	25.46	1.67	24.99	1.71	24.71	1.73	24.48	1.75	23.75	1.78	
60	56	26.02	1.61	25.68	1.65	25.36	1.68	25.15	1.69	24.97	1.70	24.33	1.72		
63	59	26.09	1.60	25.81	1.63	25.59	1.65	25.41	1.66	25.27	1.67	24.68	1.69		
68	64	26.17	1.59	25.94	1.61	25.81	1.63	25.68	1.64	25.57	1.64	25.04	1.65		

**Notes:**

1. Capacities are based on the following conditions.  
Corresponding refrigerant piping length : 25ft  
Level difference : 0ft

2. TC : Total Capacity (kBtu/h)  
PI : Power Input (kW)

# MULTI ZONE

## 7. Capacity tables

Models : MR24DY3JMA

### ■ Ducted type indoor unit Cooling capacity

Operation	Combination Capacity Index	Outdoor Air Temp.: °FDB	Indoor Air Temp. °F DB / °F WB											
			68 / 57		73 / 61		77 / 64		80 / 67		86 / 72		90 / 75	
			TC	PI	TC	PI	TC	PI	TC	PI	TC	PI	TC	PI
			kBtu/h	kW	kBtu/h	kW	kBtu/h	kW	kBtu/h	kW	kBtu/h	kW	kBtu/h	kW
2 UNITS	9 + 9	14	15.70	0.94	16.68	0.98	17.65	1.01	18.36	1.02	19.61	1.04	20.58	1.06
		20	15.69	0.96	16.67	0.99	17.64	1.03	18.35	1.04	19.59	1.06	20.57	1.08
		25	15.68	0.97	16.65	1.00	17.63	1.04	18.33	1.05	19.58	1.07	20.55	1.09
		30	15.67	0.98	16.64	1.02	17.61	1.06	18.32	1.07	19.56	1.09	20.53	1.11
		35	15.66	1.00	16.63	1.03	17.60	1.07	18.30	1.08	19.55	1.10	20.52	1.12
		40	15.64	1.01	16.62	1.05	17.59	1.08	18.29	1.10	19.53	1.12	20.50	1.14
		45	15.63	1.02	16.60	1.06	17.57	1.10	18.28	1.11	19.52	1.13	20.49	1.16
		50	15.62	1.04	16.59	1.07	17.56	1.11	18.26	1.13	19.50	1.15	20.47	1.17
		55	15.61	1.05	16.58	1.09	17.55	1.13	18.25	1.14	19.49	1.16	20.46	1.19
		60	15.60	1.06	16.57	1.10	17.53	1.14	18.23	1.16	19.47	1.18	20.44	1.20
		65	15.58	1.08	16.55	1.12	17.52	1.16	18.22	1.17	19.46	1.19	20.42	1.22
		70	15.57	1.09	16.54	1.13	17.51	1.17	18.21	1.19	19.44	1.21	20.41	1.23
		75	15.20	1.15	16.16	1.19	17.13	1.24	17.82	1.25	19.06	1.27	20.02	1.30
		80	14.82	1.21	15.79	1.25	16.75	1.30	17.44	1.31	18.67	1.34	19.63	1.36
		85	14.45	1.27	15.41	1.31	16.37	1.36	17.06	1.38	18.29	1.40	19.25	1.43
		90	14.08	1.33	15.04	1.37	16.00	1.42	16.69	1.44	17.91	1.47	18.87	1.50
		95	13.68	1.39	14.63	1.44	15.58	1.49	16.02	1.51	17.49	1.53	18.44	1.56
		100	13.34	1.44	14.30	1.50	15.25	1.55	15.81	1.57	17.16	1.60	18.11	1.63
		105	13.01	1.50	13.96	1.56	14.92	1.61	15.60	1.63	16.82	1.66	17.78	1.70
		110	12.68	1.56	13.63	1.62	14.58	1.68	15.27	1.70	16.49	1.73	17.44	1.76
	115	12.34	1.62	13.30	1.68	14.25	1.74	14.94	1.76	16.16	1.79	17.11	1.83	
	118	12.15	1.66	13.10	1.72	14.05	1.78	14.74	1.80	15.96	1.83	16.91	1.87	
	122	12.08	1.70	13.03	1.76	13.98	1.83	14.67	1.85	15.89	1.89	16.84	1.92	
	14	17.45	1.03	18.53	1.07	19.62	1.11	20.40	1.12	21.78	1.14	22.87	1.17	
	20	17.44	1.05	18.52	1.09	19.60	1.13	20.38	1.14	21.77	1.16	22.85	1.18	
	25	17.42	1.06	18.50	1.10	19.59	1.14	20.37	1.16	21.75	1.18	22.83	1.20	
	30	17.41	1.08	18.49	1.12	19.57	1.16	20.35	1.17	21.73	1.19	22.82	1.22	
	35	17.40	1.09	18.48	1.13	19.56	1.17	20.34	1.19	21.72	1.21	22.80	1.23	
	40	17.38	1.11	18.46	1.15	19.54	1.19	20.32	1.20	21.70	1.23	22.78	1.25	
	45	17.37	1.12	18.45	1.16	19.53	1.21	20.31	1.22	21.68	1.24	22.76	1.27	
	50	17.36	1.14	18.43	1.18	19.51	1.22	20.29	1.24	21.67	1.26	22.75	1.28	
	55	17.34	1.15	18.42	1.19	19.50	1.24	20.27	1.25	21.65	1.28	22.73	1.30	
	60	17.33	1.17	18.41	1.21	19.48	1.25	20.26	1.27	21.63	1.29	22.71	1.32	
	65	17.32	1.18	18.39	1.22	19.47	1.27	20.24	1.28	21.62	1.31	22.69	1.33	
	70	17.30	1.20	18.38	1.24	19.45	1.29	20.23	1.30	21.60	1.32	22.68	1.35	
	75	16.89	1.26	17.96	1.31	19.03	1.35	19.80	1.37	21.17	1.40	22.25	1.42	
	80	16.47	1.33	17.54	1.37	18.61	1.42	19.38	1.44	20.75	1.47	21.82	1.50	
	85	16.06	1.39	17.12	1.44	18.19	1.49	18.96	1.51	20.32	1.54	21.39	1.57	
	90	15.64	1.45	16.71	1.51	17.77	1.56	18.54	1.58	19.90	1.61	20.96	1.64	
	95	15.20	1.52	16.26	1.57	17.31	1.63	17.80	1.65	19.43	1.68	20.49	1.72	
	100	14.83	1.58	15.89	1.64	16.94	1.70	17.57	1.72	19.06	1.75	20.12	1.79	
	105	14.46	1.65	15.52	1.71	16.57	1.77	17.34	1.79	18.69	1.82	19.75	1.86	
	110	14.09	1.71	15.15	1.78	16.20	1.84	16.97	1.86	18.32	1.90	19.38	1.93	
	115	13.72	1.78	14.78	1.84	15.83	1.91	16.60	1.93	17.95	1.97	19.01	2.01	
	118	13.49	1.82	14.55	1.88	15.61	1.95	16.38	1.97	17.73	2.01	18.79	2.05	
	122	13.42	1.87	14.48	1.94	15.54	2.01	16.30	2.03	17.66	2.07	18.71	2.11	
	14	17.45	1.03	18.53	1.07	19.62	1.11	20.40	1.12	21.78	1.14	22.87	1.17	
	20	17.44	1.05	18.52	1.09	19.60	1.13	20.38	1.14	21.77	1.16	22.85	1.18	
	25	17.42	1.06	18.50	1.10	19.59	1.14	20.37	1.16	21.75	1.18	22.83	1.20	
	30	17.41	1.08	18.49	1.12	19.57	1.16	20.35	1.17	21.73	1.19	22.82	1.22	
	35	17.40	1.09	18.48	1.13	19.56	1.17	20.34	1.19	21.72	1.21	22.80	1.23	
	40	17.38	1.11	18.46	1.15	19.54	1.19	20.32	1.20	21.70	1.23	22.78	1.25	
	45	17.37	1.12	18.45	1.16	19.53	1.21	20.31	1.22	21.68	1.24	22.76	1.27	
	50	17.36	1.14	18.43	1.18	19.51	1.22	20.29	1.24	21.67	1.26	22.75	1.28	
	55	17.34	1.15	18.42	1.19	19.50	1.24	20.27	1.25	21.65	1.28	22.73	1.30	
	60	17.33	1.17	18.41	1.21	19.48	1.25	20.26	1.27	21.63	1.29	22.71	1.32	
	65	17.32	1.18	18.39	1.22	19.47	1.27	20.24	1.28	21.62	1.31	22.69	1.33	
	70	17.30	1.20	18.38	1.24	19.45	1.29	20.23	1.30	21.60	1.32	22.68	1.35	
	75	16.89	1.26	17.96	1.31	19.03	1.35	19.80	1.37	21.17	1.40	22.25	1.42	
	80	16.47	1.33	17.54	1.37	18.61	1.42	19.38	1.44	20.75	1.47	21.82	1.50	
	85	16.06	1.39	17.12	1.44	18.19	1.49	18.96	1.51	20.32	1.54	21.39	1.57	
	90	15.64	1.45	16.71	1.51	17.77	1.56	18.54	1.58	19.90	1.61	20.96	1.64	
	95	15.20	1.52	16.26	1.57	17.31	1.63	17.80	1.65	19.43	1.68	20.49	1.72	
	100	14.83	1.58	15.89	1.64	16.94	1.70	17.57	1.72	19.06	1.75	20.12	1.79	
	105	14.46	1.65	15.52	1.71	16.57	1.77	17.34	1.79	18.69	1.82	19.75	1.86	
	110	14.09	1.71	15.15	1.78	16.20	1.84	16.97	1.86	18.32	1.90	19.38	1.93	
	115	13.72	1.78	14.78	1.84	15.83	1.91	16.60	1.93	17.95	1.97	19.01	2.01	
	118	13.49	1.82	14.55	1.88	15.61	1.95	16.38	1.97	17.73	2.01	18.79	2.05	
	122	13.42	1.87	14.48	1.94	15.54	2.01	16.30	2.03	17.66	2.07	18.71	2.11	

# MULTI ZONE

## 7. Capacity tables

Models : MR24DY3JMA

### ■ Ducted type indoor unit Cooling capacity

Operation	Combination Capacity Index	Outdoor Air Temp.: °FDB	Indoor Air Temp. °F DB / °F WB											
			68 / 57		73 / 61		77 / 64		80 / 67		86 / 72		90 / 75	
			TC	PI	TC	PI	TC	PI	TC	PI	TC	PI	TC	PI
			kBtu/h	kW	kBtu/h	kW	kBtu/h	kW	kBtu/h	kW	kBtu/h	kW	kBtu/h	kW
2 UNITS	9 + 18	14	17.45	1.03	18.53	1.07	19.62	1.11	20.40	1.12	21.78	1.14	22.87	1.17
		20	17.44	1.05	18.52	1.09	19.60	1.13	20.38	1.14	21.77	1.16	22.85	1.18
		25	17.42	1.06	18.50	1.10	19.59	1.14	20.37	1.16	21.75	1.18	22.83	1.20
		30	17.41	1.08	18.49	1.12	19.57	1.16	20.35	1.17	21.73	1.19	22.82	1.22
		35	17.40	1.09	18.48	1.13	19.56	1.17	20.34	1.19	21.72	1.21	22.80	1.23
		40	17.38	1.11	18.46	1.15	19.54	1.19	20.32	1.20	21.70	1.23	22.78	1.25
		45	17.37	1.12	18.45	1.16	19.53	1.21	20.31	1.22	21.68	1.24	22.76	1.27
		50	17.36	1.14	18.43	1.18	19.51	1.22	20.29	1.24	21.67	1.26	22.75	1.28
		55	17.34	1.15	18.42	1.19	19.50	1.24	20.27	1.25	21.65	1.28	22.73	1.30
		60	17.33	1.17	18.41	1.21	19.48	1.25	20.26	1.27	21.63	1.29	22.71	1.32
		65	17.32	1.18	18.39	1.22	19.47	1.27	20.24	1.28	21.62	1.31	22.69	1.33
		70	17.30	1.20	18.38	1.24	19.45	1.29	20.23	1.30	21.60	1.32	22.68	1.35
	75	16.89	1.26	17.96	1.31	19.03	1.35	19.80	1.37	21.17	1.40	22.25	1.42	
	80	16.47	1.33	17.54	1.37	18.61	1.42	19.38	1.44	20.75	1.47	21.82	1.50	
	85	16.06	1.39	17.12	1.44	18.19	1.49	18.96	1.51	20.32	1.54	21.39	1.57	
	90	15.64	1.45	16.71	1.51	17.77	1.56	18.54	1.58	19.90	1.61	20.96	1.64	
	95	15.20	1.52	16.26	1.57	17.31	1.63	17.80	1.65	19.43	1.68	20.49	1.72	
	100	14.83	1.58	15.89	1.64	16.94	1.70	17.57	1.72	19.06	1.75	20.12	1.79	
	105	14.46	1.65	15.52	1.71	16.57	1.77	17.34	1.79	18.69	1.82	19.75	1.86	
	110	14.09	1.71	15.15	1.78	16.20	1.84	16.97	1.86	18.32	1.90	19.38	1.93	
	115	13.72	1.78	14.78	1.84	15.83	1.91	16.60	1.93	17.95	1.97	19.01	2.01	
	118	13.49	1.82	14.55	1.88	15.61	1.95	16.38	1.97	17.73	2.01	18.79	2.05	
	122	13.42	1.87	14.48	1.94	15.54	2.01	16.30	2.03	17.66	2.07	18.71	2.11	
	2 UNITS	12 + 18	14	17.45	1.03	18.53	1.07	19.62	1.11	20.40	1.12	21.78	1.14	22.87
20			17.44	1.05	18.52	1.09	19.60	1.13	20.38	1.14	21.77	1.16	22.85	1.18
25			17.42	1.06	18.50	1.10	19.59	1.14	20.37	1.16	21.75	1.18	22.83	1.20
30			17.41	1.08	18.49	1.12	19.57	1.16	20.35	1.17	21.73	1.19	22.82	1.22
35			17.40	1.09	18.48	1.13	19.56	1.17	20.34	1.19	21.72	1.21	22.80	1.23
40			17.38	1.11	18.46	1.15	19.54	1.19	20.32	1.20	21.70	1.23	22.78	1.25
45			17.37	1.12	18.45	1.16	19.53	1.21	20.31	1.22	21.68	1.24	22.76	1.27
50			17.36	1.14	18.43	1.18	19.51	1.22	20.29	1.24	21.67	1.26	22.75	1.28
55			17.34	1.15	18.42	1.19	19.50	1.24	20.27	1.25	21.65	1.28	22.73	1.30
60			17.33	1.17	18.41	1.21	19.48	1.25	20.26	1.27	21.63	1.29	22.71	1.32
65			17.32	1.18	18.39	1.22	19.47	1.27	20.24	1.28	21.62	1.31	22.69	1.33
70			17.30	1.20	18.38	1.24	19.45	1.29	20.23	1.30	21.60	1.32	22.68	1.35
75		16.89	1.26	17.96	1.31	19.03	1.35	19.80	1.37	21.17	1.40	22.25	1.42	
80		16.47	1.33	17.54	1.37	18.61	1.42	19.38	1.44	20.75	1.47	21.82	1.50	
85		16.06	1.39	17.12	1.44	18.19	1.49	18.96	1.51	20.32	1.54	21.39	1.57	
90		15.64	1.45	16.71	1.51	17.77	1.56	18.54	1.58	19.90	1.61	20.96	1.64	
95		15.20	1.52	16.26	1.57	17.31	1.63	17.80	1.65	19.43	1.68	20.49	1.72	
100		14.83	1.58	15.89	1.64	16.94	1.70	17.57	1.72	19.06	1.75	20.12	1.79	
105		14.46	1.65	15.52	1.71	16.57	1.77	17.34	1.79	18.69	1.82	19.75	1.86	
110		14.09	1.71	15.15	1.78	16.20	1.84	16.97	1.86	18.32	1.90	19.38	1.93	
115		13.72	1.78	14.78	1.84	15.83	1.91	16.60	1.93	17.95	1.97	19.01	2.01	
118		13.49	1.82	14.55	1.88	15.61	1.95	16.38	1.97	17.73	2.01	18.79	2.05	
122		13.42	1.87	14.48	1.94	15.54	2.01	16.30	2.03	17.66	2.07	18.71	2.11	
3 UNITS		9 + 9 + 9	14	17.45	0.97	18.53	1.00	19.62	1.04	20.40	1.05	21.78	1.07	22.87
	20		17.44	0.98	18.52	1.02	19.60	1.06	20.38	1.07	21.77	1.09	22.85	1.11
	25		17.42	1.00	18.50	1.03	19.59	1.07	20.37	1.08	21.75	1.10	22.83	1.13
	30		17.41	1.01	18.49	1.05	19.57	1.09	20.35	1.10	21.73	1.12	22.82	1.14
	35		17.40	1.02	18.48	1.06	19.56	1.10	20.34	1.11	21.72	1.13	22.80	1.16
	40		17.38	1.04	18.46	1.08	19.54	1.12	20.32	1.13	21.70	1.15	22.78	1.17
	45		17.37	1.05	18.45	1.09	19.53	1.13	20.31	1.14	21.68	1.16	22.76	1.19
	50		17.36	1.07	18.43	1.11	19.51	1.15	20.29	1.16	21.67	1.18	22.75	1.20
	55		17.34	1.08	18.42	1.12	19.50	1.16	20.27	1.17	21.65	1.20	22.73	1.22
	60		17.33	1.09	18.41	1.13	19.48	1.18	20.26	1.19	21.63	1.21	22.71	1.24
	65		17.32	1.11	18.39	1.15	19.47	1.19	20.24	1.20	21.62	1.23	22.69	1.25
	70		17.30	1.12	18.38	1.16	19.45	1.21	20.23	1.22	21.60	1.24	22.68	1.27
	75	16.89	1.18	17.96	1.23	19.03	1.27	19.80	1.28	21.17	1.31	22.25	1.34	
	80	16.47	1.24	17.54	1.29	18.61	1.34	19.38	1.35	20.75	1.38	21.82	1.40	
	85	16.06	1.30	17.12	1.35	18.19	1.40	18.96	1.42	20.32	1.44	21.39	1.47	
	90	15.64	1.36	16.71	1.41	17.77	1.47	18.54	1.48	19.90	1.51	20.96	1.54	
	95	15.20	1.42	16.26	1.48	17.31	1.53	17.80	1.55	19.43	1.58	20.49	1.61	
	100	14.83	1.48	15.89	1.54	16.94	1.60	17.57	1.61	19.06	1.64	20.12	1.68	
	105	14.46	1.55	15.52	1.60	16.57	1.66	17.34	1.68	18.69	1.71	19.75	1.75	
	110	14.09	1.61	15.15	1.66	16.20	1.73	16.97	1.75	18.32	1.78	19.38	1.81	
	115	13.72	1.67	14.78	1.73	15.83	1.79	16.60	1.81	17.95	1.85	19.01	1.88	
	118	13.49	1.70	14.55	1.77	15.61	1.83	16.38	1.85	17.73	1.89	18.79	1.92	
	122	13.42	1.75	14.48	1.82	15.54	1.88	16.30	1.90	17.66	1.94	18.71	1.98	

# MULTI ZONE

## 7. Capacity tables

Models : MR24DY3JMA

### ■ Ducted type indoor unit Cooling capacity

Operation	Combination Capacity Index	Outdoor Air Temp.: °FDB	Indoor Air Temp. °F DB / °F WB											
			68 / 57		73 / 61		77 / 64		80 / 67		86 / 72		90 / 75	
			TC	PI	TC	PI	TC	PI	TC	PI	TC	PI	TC	PI
			kBtu/h	kW	kBtu/h	kW	kBtu/h	kW	kBtu/h	kW	kBtu/h	kW	kBtu/h	kW
3 UNITS	9 + 9 + 12	14	17.45	0.97	18.53	1.00	19.62	1.04	20.40	1.05	21.78	1.07	22.87	1.09
		20	17.44	0.98	18.52	1.02	19.60	1.06	20.38	1.07	21.77	1.09	22.85	1.11
		25	17.42	1.00	18.50	1.03	19.59	1.07	20.37	1.08	21.75	1.10	22.83	1.13
		30	17.41	1.01	18.49	1.05	19.57	1.09	20.35	1.10	21.73	1.12	22.82	1.14
		35	17.40	1.02	18.48	1.06	19.56	1.10	20.34	1.11	21.72	1.13	22.80	1.16
		40	17.38	1.04	18.46	1.08	19.54	1.12	20.32	1.13	21.70	1.15	22.78	1.17
		45	17.37	1.05	18.45	1.09	19.53	1.13	20.31	1.14	21.68	1.16	22.76	1.19
		50	17.36	1.07	18.43	1.11	19.51	1.15	20.29	1.16	21.67	1.18	22.75	1.20
		55	17.34	1.08	18.42	1.12	19.50	1.16	20.27	1.17	21.65	1.20	22.73	1.22
		60	17.33	1.09	18.41	1.13	19.48	1.18	20.26	1.19	21.63	1.21	22.71	1.24
		65	17.32	1.11	18.39	1.15	19.47	1.19	20.24	1.20	21.62	1.23	22.69	1.25
		70	17.30	1.12	18.38	1.16	19.45	1.21	20.23	1.22	21.60	1.24	22.68	1.27
		75	16.89	1.18	17.96	1.23	19.03	1.27	19.80	1.28	21.17	1.31	22.25	1.34
		80	16.47	1.24	17.54	1.29	18.61	1.34	19.38	1.35	20.75	1.38	21.82	1.40
		85	16.06	1.30	17.12	1.35	18.19	1.40	18.96	1.42	20.32	1.44	21.39	1.47
		90	15.64	1.36	16.71	1.41	17.77	1.47	18.54	1.48	19.90	1.51	20.96	1.54
		95	15.20	1.42	16.26	1.48	17.31	1.53	17.80	1.55	19.43	1.58	20.49	1.61
		100	14.83	1.48	15.89	1.54	16.94	1.60	17.57	1.61	19.06	1.64	20.12	1.68
		105	14.46	1.55	15.52	1.60	16.57	1.66	17.34	1.68	18.69	1.71	19.75	1.75
		110	14.09	1.61	15.15	1.66	16.20	1.73	16.97	1.75	18.32	1.78	19.38	1.81
	115	13.72	1.67	14.78	1.73	15.83	1.79	16.60	1.81	17.95	1.85	19.01	1.88	
	118	13.49	1.70	14.55	1.77	15.61	1.83	16.38	1.85	17.73	1.89	18.79	1.92	
	122	13.42	1.75	14.48	1.82	15.54	1.88	16.30	1.90	17.66	1.94	18.71	1.98	
	9 + 12 + 12	14	17.45	0.97	18.53	1.00	19.62	1.04	20.40	1.05	21.78	1.07	22.87	1.09
		20	17.44	0.98	18.52	1.02	19.60	1.06	20.38	1.07	21.77	1.09	22.85	1.11
		25	17.42	1.00	18.50	1.03	19.59	1.07	20.37	1.08	21.75	1.10	22.83	1.13
		30	17.41	1.01	18.49	1.05	19.57	1.09	20.35	1.10	21.73	1.12	22.82	1.14
		35	17.40	1.02	18.48	1.06	19.56	1.10	20.34	1.11	21.72	1.13	22.80	1.16
		40	17.38	1.04	18.46	1.08	19.54	1.12	20.32	1.13	21.70	1.15	22.78	1.17
		45	17.37	1.05	18.45	1.09	19.53	1.13	20.31	1.14	21.68	1.16	22.76	1.19
		50	17.36	1.07	18.43	1.11	19.51	1.15	20.29	1.16	21.67	1.18	22.75	1.20
		55	17.34	1.08	18.42	1.12	19.50	1.16	20.27	1.17	21.65	1.20	22.73	1.22
		60	17.33	1.09	18.41	1.13	19.48	1.18	20.26	1.19	21.63	1.21	22.71	1.24
		65	17.32	1.11	18.39	1.15	19.47	1.19	20.24	1.20	21.62	1.23	22.69	1.25
		70	17.30	1.12	18.38	1.16	19.45	1.21	20.23	1.22	21.60	1.24	22.68	1.27
		75	16.89	1.18	17.96	1.23	19.03	1.27	19.80	1.28	21.17	1.31	22.25	1.34
		80	16.47	1.24	17.54	1.29	18.61	1.34	19.38	1.35	20.75	1.38	21.82	1.40
		85	16.06	1.30	17.12	1.35	18.19	1.40	18.96	1.42	20.32	1.44	21.39	1.47
		90	15.64	1.36	16.71	1.41	17.77	1.47	18.54	1.48	19.90	1.51	20.96	1.54
		95	15.20	1.42	16.26	1.48	17.31	1.53	17.80	1.55	19.43	1.58	20.49	1.61
		100	14.83	1.48	15.89	1.54	16.94	1.60	17.57	1.61	19.06	1.64	20.12	1.68
		105	14.46	1.55	15.52	1.60	16.57	1.66	17.34	1.68	18.69	1.71	19.75	1.75
		110	14.09	1.61	15.15	1.66	16.20	1.73	16.97	1.75	18.32	1.78	19.38	1.81
		115	13.72	1.67	14.78	1.73	15.83	1.79	16.60	1.81	17.95	1.85	19.01	1.88
118		13.49	1.70	14.55	1.77	15.61	1.83	16.38	1.85	17.73	1.89	18.79	1.92	
122		13.42	1.75	14.48	1.82	15.54	1.88	16.30	1.90	17.66	1.94	18.71	1.98	

**Notes:**

- Capacities are based on the following conditions.  
Corresponding refrigerant piping length : 25ft , Level difference : 0ft
- TC : Total Capacity (kBtu/h), PI : Power Input (kW)
- indicates reference data. When operating at this temperature, these values can be different by discontinuous operation.

# MULTI ZONE

## 7. Capacity tables

Models : MR24DY3JMA

### ■ Ducted type indoor unit Heating capacity

Operation	Combination Capacity Index (kBTu/h)	Outdoor Air Temp.		Indoor Air Temp.: °FDB											
				61		64		68		70		72		75	
		°F DB	°F WB	kBTu/h	kW	kBTu/h	kW	kBTu/h	kW	kBTu/h	kW	kBTu/h	kW	kBTu/h	kW
2 UNIT	9 + 9	-4	-4.4	6.76	1.38	6.24	1.44	6.22	1.46	6.15	1.47	6.09	1.47	5.82	1.53
		0	-0.4	8.27	1.40	7.77	1.45	7.65	1.47	7.55	1.49	7.46	1.50	7.14	1.55
		5	4.5	10.06	1.41	9.59	1.46	9.36	1.49	9.21	1.51	9.09	1.53	8.72	1.58
		10	9	11.26	1.43	10.80	1.48	10.50	1.51	10.32	1.53	10.18	1.55	9.78	1.60
		17	15	12.58	1.45	12.14	1.49	11.76	1.54	11.55	1.57	11.38	1.59	10.94	1.63
		20	19	13.38	1.46	12.96	1.51	12.52	1.56	12.29	1.59	12.10	1.61	11.65	1.65
		25	23	14.72	1.49	14.29	1.53	13.79	1.59	13.53	1.62	13.32	1.65	12.82	1.69
		30	28	16.07	1.52	15.58	1.57	15.04	1.62	14.77	1.65	14.54	1.68	14.01	1.73
		35	32	17.43	1.55	16.87	1.61	16.30	1.65	16.00	1.69	15.77	1.72	15.20	1.76
		40	36	18.31	1.60	17.80	1.65	17.23	1.70	16.93	1.74	16.69	1.77	16.09	1.81
		45	41	19.42	1.66	18.96	1.71	18.40	1.76	18.10	1.80	17.85	1.82	17.20	1.87
		47	43	19.87	1.68	19.42	1.73	18.87	1.79	18.56	1.82	18.31	1.84	17.65	1.90
	50	46	19.93	1.67	19.52	1.72	19.04	1.77	18.76	1.79	18.54	1.82	17.92	1.86	
	55	51	20.02	1.65	19.69	1.69	19.33	1.73	19.11	1.75	18.93	1.77	18.37	1.80	
	60	56	20.12	1.63	19.86	1.66	19.61	1.69	19.45	1.71	19.31	1.72	18.82	1.74	
	63	59	20.18	1.62	19.96	1.65	19.79	1.67	19.65	1.68	19.54	1.69	19.09	1.71	
	68	64	20.24	1.61	20.06	1.63	19.96	1.65	19.86	1.66	19.78	1.66	19.36	1.67	
	9 + 12	-4	-4.4	7.89	1.53	7.28	1.59	7.25	1.61	7.17	1.62	7.11	1.63	6.79	1.69
		0	-0.4	9.65	1.54	9.07	1.60	8.93	1.63	8.81	1.64	8.71	1.65	8.34	1.71
		5	4.5	11.74	1.56	11.19	1.62	10.92	1.65	10.75	1.67	10.61	1.68	10.18	1.74
		10	9	13.14	1.58	12.61	1.63	12.26	1.67	12.05	1.70	11.88	1.71	11.41	1.77
		17	15	14.68	1.60	14.17	1.65	13.73	1.70	13.48	1.73	13.28	1.75	12.77	1.80
		20	19	15.62	1.61	15.12	1.66	14.62	1.72	14.34	1.75	14.13	1.78	13.59	1.83
		25	23	17.18	1.64	16.67	1.69	16.09	1.75	15.79	1.79	15.54	1.82	14.96	1.87
		30	28	18.76	1.68	18.18	1.73	17.55	1.79	17.23	1.83	16.97	1.86	16.35	1.91
		35	32	20.34	1.72	19.69	1.78	19.02	1.82	18.68	1.87	18.40	1.90	17.74	1.95
		40	36	21.37	1.77	20.77	1.83	20.11	1.88	19.76	1.92	19.48	1.95	18.78	2.00
		45	41	22.67	1.83	22.13	1.89	21.47	1.95	21.12	1.98	20.83	2.01	20.08	2.07
		47	43	23.19	1.85	22.67	1.91	22.02	1.98	21.66	2.01	21.37	2.04	20.59	2.10
	50	46	23.25	1.84	22.78	1.90	22.22	1.95	21.90	1.98	21.64	2.00	20.91	2.06	
	55	51	23.37	1.82	22.98	1.87	22.56	1.91	22.30	1.93	22.09	1.95	21.44	1.99	
	60	56	23.48	1.80	23.17	1.84	22.89	1.87	22.69	1.89	22.54	1.90	21.96	1.93	
	63	59	23.55	1.79	23.29	1.82	23.09	1.85	22.93	1.86	22.81	1.86	22.28	1.89	
	68	64	23.62	1.78	23.41	1.80	23.29	1.82	23.17	1.83	23.08	1.83	22.60	1.85	
	12 + 12	-4	-4.4	8.16	1.57	7.53	1.64	7.50	1.66	7.42	1.67	7.35	1.68	7.02	1.74
		0	-0.4	9.98	1.59	9.38	1.65	9.24	1.68	9.11	1.69	9.01	1.70	8.62	1.76
5		4.5	12.14	1.61	11.57	1.66	11.30	1.70	11.12	1.72	10.97	1.74	10.53	1.79	
10		9	13.59	1.62	13.04	1.68	12.68	1.72	12.46	1.75	12.29	1.76	11.80	1.82	
17		15	15.18	1.65	14.66	1.70	14.19	1.75	13.94	1.78	13.73	1.80	13.20	1.86	
20		19	16.15	1.66	15.64	1.71	15.11	1.77	14.83	1.80	14.61	1.83	14.05	1.88	
25		23	17.77	1.69	17.24	1.74	16.64	1.81	16.33	1.84	16.08	1.87	15.47	1.92	
30		28	19.40	1.73	18.80	1.79	18.15	1.84	17.82	1.88	17.55	1.91	16.91	1.96	
35		32	21.03	1.77	20.36	1.83	19.67	1.88	19.31	1.92	19.03	1.96	18.34	2.00	
40		36	22.10	1.82	21.48	1.88	20.80	1.93	20.44	1.98	20.15	2.01	19.42	2.06	
45		41	23.44	1.88	22.88	1.95	22.21	2.01	21.84	2.04	21.54	2.07	20.76	2.13	
47		43	23.98	1.91	23.44	1.97	22.77	2.03	22.40	2.07	22.10	2.10	21.30	2.16	
50	46	24.05	1.90	23.56	1.95	22.98	2.01	22.65	2.04	22.38	2.06	21.62	2.12		
55	51	24.17	1.88	23.76	1.92	23.33	1.97	23.06	1.99	22.84	2.01	22.17	2.05		
60	56	24.28	1.86	23.97	1.89	23.67	1.93	23.47	1.94	23.31	1.95	22.71	1.98		
63	59	24.35	1.84	24.09	1.87	23.88	1.90	23.72	1.91	23.59	1.92	23.04	1.94		
68	64	24.42	1.83	24.21	1.86	24.09	1.88	23.97	1.88	23.87	1.89	23.37	1.90		

# MULTI ZONE

## 7. Capacity tables

Models : MR24DY3JMA

### ■ Ducted type indoor unit Heating capacity

Operation	Combination Capacity Index (kBTu/h)	Outdoor Air Temp.		Indoor Air Temp.: °FDB											
				61		64		68		70		72		75	
		°F DB	°F WB	kBTu/h	kW	kBTu/h	kW	kBTu/h	kW	kBTu/h	kW	kBTu/h	kW	kBTu/h	kW
2 UNIT	9 + 18	-4	-4.4	8.16	1.57	7.53	1.64	7.50	1.66	7.42	1.67	7.35	1.68	7.02	1.74
		0	-0.4	9.98	1.59	9.38	1.65	9.24	1.68	9.11	1.69	9.01	1.70	8.62	1.76
		5	4.5	12.14	1.61	11.57	1.66	11.30	1.70	11.12	1.72	10.97	1.74	10.53	1.79
		10	9	13.59	1.62	13.04	1.68	12.68	1.72	12.46	1.75	12.29	1.76	11.80	1.82
		17	15	15.18	1.65	14.66	1.70	14.19	1.75	13.94	1.78	13.73	1.80	13.20	1.86
		20	19	16.15	1.66	15.64	1.71	15.11	1.77	14.83	1.80	14.61	1.83	14.05	1.88
		25	23	17.77	1.69	17.24	1.74	16.64	1.81	16.33	1.84	16.08	1.87	15.47	1.92
		30	28	19.40	1.73	18.80	1.79	18.15	1.84	17.82	1.88	17.55	1.91	16.91	1.96
		35	32	21.03	1.77	20.36	1.83	19.67	1.88	19.31	1.92	19.03	1.96	18.34	2.00
		40	36	22.10	1.82	21.48	1.88	20.80	1.93	20.44	1.98	20.15	2.01	19.42	2.06
		45	41	23.44	1.88	22.88	1.95	22.21	2.01	21.84	2.04	21.54	2.07	20.76	2.13
		47	43	23.98	1.91	23.44	1.97	22.77	2.03	22.40	2.07	22.10	2.10	21.30	2.16
		50	46	24.05	1.90	23.56	1.95	22.98	2.01	22.65	2.04	22.38	2.06	21.62	2.12
		55	51	24.17	1.88	23.76	1.92	23.33	1.97	23.06	1.99	22.84	2.01	22.17	2.05
	60	56	24.28	1.86	23.97	1.89	23.67	1.93	23.47	1.94	23.31	1.95	22.71	1.98	
	63	59	24.35	1.84	24.09	1.87	23.88	1.90	23.72	1.91	23.59	1.92	23.04	1.94	
	68	64	24.42	1.83	24.21	1.86	24.09	1.88	23.97	1.88	23.87	1.89	23.37	1.90	
	12 + 18	-4	-4.4	8.16	1.57	7.53	1.64	7.50	1.66	7.42	1.67	7.35	1.68	7.02	1.74
		0	-0.4	9.98	1.59	9.38	1.65	9.24	1.68	9.11	1.69	9.01	1.70	8.62	1.76
		5	4.5	12.14	1.61	11.57	1.66	11.30	1.70	11.12	1.72	10.97	1.74	10.53	1.79
		10	9	13.59	1.62	13.04	1.68	12.68	1.72	12.46	1.75	12.29	1.76	11.80	1.82
		17	15	15.18	1.65	14.66	1.70	14.19	1.75	13.94	1.78	13.73	1.80	13.20	1.86
		20	19	16.15	1.66	15.64	1.71	15.11	1.77	14.83	1.80	14.61	1.83	14.05	1.88
		25	23	17.77	1.69	17.24	1.74	16.64	1.81	16.33	1.84	16.08	1.87	15.47	1.92
		30	28	19.40	1.73	18.80	1.79	18.15	1.84	17.82	1.88	17.55	1.91	16.91	1.96
		35	32	21.03	1.77	20.36	1.83	19.67	1.88	19.31	1.92	19.03	1.96	18.34	2.00
		40	36	22.10	1.82	21.48	1.88	20.80	1.93	20.44	1.98	20.15	2.01	19.42	2.06
		45	41	23.44	1.88	22.88	1.95	22.21	2.01	21.84	2.04	21.54	2.07	20.76	2.13
47		43	23.98	1.91	23.44	1.97	22.77	2.03	22.40	2.07	22.10	2.10	21.30	2.16	
50		46	24.05	1.90	23.56	1.95	22.98	2.01	22.65	2.04	22.38	2.06	21.62	2.12	
55		51	24.17	1.88	23.76	1.92	23.33	1.97	23.06	1.99	22.84	2.01	22.17	2.05	
60	56	24.28	1.86	23.97	1.89	23.67	1.93	23.47	1.94	23.31	1.95	22.71	1.98		
63	59	24.35	1.84	24.09	1.87	23.88	1.90	23.72	1.91	23.59	1.92	23.04	1.94		
68	64	24.42	1.83	24.21	1.86	24.09	1.88	23.97	1.88	23.87	1.89	23.37	1.90		
3 UNIT	9 + 9 + 9	-4	-4.4	8.16	1.46	7.53	1.52	7.50	1.54	7.42	1.55	7.35	1.56	7.02	1.61
		0	-0.4	9.98	1.47	9.38	1.53	9.24	1.55	9.11	1.57	9.01	1.58	8.62	1.64
		5	4.5	12.14	1.49	11.57	1.54	11.30	1.58	11.12	1.59	10.97	1.61	10.53	1.66
		10	9	13.59	1.51	13.04	1.56	12.68	1.60	12.46	1.62	12.29	1.64	11.80	1.69
		17	15	15.18	1.53	14.66	1.58	14.19	1.62	13.94	1.65	13.73	1.67	13.20	1.72
		20	19	16.15	1.54	15.64	1.59	15.11	1.64	14.83	1.67	14.61	1.70	14.05	1.74
		25	23	17.77	1.57	17.24	1.61	16.64	1.68	16.33	1.71	16.08	1.74	15.47	1.78
		30	28	19.40	1.60	18.80	1.66	18.15	1.71	17.82	1.75	17.55	1.78	16.91	1.82
		35	32	21.03	1.64	20.36	1.70	19.67	1.74	19.31	1.78	19.03	1.81	18.34	1.86
		40	36	22.10	1.69	21.48	1.75	20.80	1.79	20.44	1.83	20.15	1.86	19.42	1.91
		45	41	23.44	1.75	22.88	1.81	22.21	1.86	21.84	1.89	21.54	1.92	20.76	1.98
		47	43	23.98	1.77	23.44	1.83	22.77	1.89	22.40	1.92	22.10	1.95	21.30	2.00
		50	46	24.05	1.76	23.56	1.81	22.98	1.86	22.65	1.89	22.38	1.92	21.62	1.97
		55	51	24.17	1.74	23.76	1.78	23.33	1.83	23.06	1.85	22.84	1.86	22.17	1.90
60	56	24.28	1.72	23.97	1.76	23.67	1.79	23.47	1.80	23.31	1.81	22.71	1.84		
63	59	24.35	1.71	24.09	1.74	23.88	1.76	23.72	1.77	23.59	1.78	23.04	1.80		
68	64	24.42	1.70	24.21	1.72	24.09	1.74	23.97	1.75	23.87	1.75	23.37	1.76		

# MULTI ZONE

## 7. Capacity tables

Models : MR24DY3JMA

### ■ Ducted type indoor unit Heating capacity

Operation	Combination Capacity Index (kBtu/h)	Outdoor Air Temp.		Indoor Air Temp.: °FDB											
				61		64		68		70		72		75	
		°F DB	°F WB	kBtu/h	kW	kBtu/h	kW	kBtu/h	kW	kBtu/h	kW	kBtu/h	kW	kBtu/h	kW
3 UNIT	9 + 9 + 12	-4	-4.4	8.16	1.46	7.53	1.52	7.50	1.54	7.42	1.55	7.35	1.56	7.02	1.61
		0	-0.4	9.98	1.47	9.38	1.53	9.24	1.55	9.11	1.57	9.01	1.58	8.62	1.64
		5	4.5	12.14	1.49	11.57	1.54	11.30	1.58	11.12	1.59	10.97	1.61	10.53	1.66
		10	9	13.59	1.51	13.04	1.56	12.68	1.60	12.46	1.62	12.29	1.64	11.80	1.69
		17	15	15.18	1.53	14.66	1.58	14.19	1.62	13.94	1.65	13.73	1.67	13.20	1.72
		20	19	16.15	1.54	15.64	1.59	15.11	1.64	14.83	1.67	14.61	1.70	14.05	1.74
		25	23	17.77	1.57	17.24	1.61	16.64	1.68	16.33	1.71	16.08	1.74	15.47	1.78
		30	28	19.40	1.60	18.80	1.66	18.15	1.71	17.82	1.75	17.55	1.78	16.91	1.82
		35	32	21.03	1.64	20.36	1.70	19.67	1.74	19.31	1.78	19.03	1.81	18.34	1.86
		40	36	22.10	1.69	21.48	1.75	20.80	1.79	20.44	1.83	20.15	1.86	19.42	1.91
		45	41	23.44	1.75	22.88	1.81	22.21	1.86	21.84	1.89	21.54	1.92	20.76	1.98
		47	43	23.98	1.77	23.44	1.83	22.77	1.89	22.40	1.92	22.10	1.95	21.30	2.00
		50	46	24.05	1.76	23.56	1.81	22.98	1.86	22.65	1.89	22.38	1.92	21.62	1.97
		55	51	24.17	1.74	23.76	1.78	23.33	1.83	23.06	1.85	22.84	1.86	22.17	1.90
	60	56	24.28	1.72	23.97	1.76	23.67	1.79	23.47	1.80	23.31	1.81	22.71	1.84	
	63	59	24.35	1.71	24.09	1.74	23.88	1.76	23.72	1.77	23.59	1.78	23.04	1.80	
	68	64	24.42	1.70	24.21	1.72	24.09	1.74	23.97	1.75	23.87	1.75	23.37	1.76	
	9 + 12 + 12	-4	-4.4	8.16	1.46	7.53	1.52	7.50	1.54	7.42	1.55	7.35	1.56	7.02	1.61
		0	-0.4	9.98	1.47	9.38	1.53	9.24	1.55	9.11	1.57	9.01	1.58	8.62	1.64
		5	4.5	12.14	1.49	11.57	1.54	11.30	1.58	11.12	1.59	10.97	1.61	10.53	1.66
		10	9	13.59	1.51	13.04	1.56	12.68	1.60	12.46	1.62	12.29	1.64	11.80	1.69
		17	15	15.18	1.53	14.66	1.58	14.19	1.62	13.94	1.65	13.73	1.67	13.20	1.72
		20	19	16.15	1.54	15.64	1.59	15.11	1.64	14.83	1.67	14.61	1.70	14.05	1.74
		25	23	17.77	1.57	17.24	1.61	16.64	1.68	16.33	1.71	16.08	1.74	15.47	1.78
		30	28	19.40	1.60	18.80	1.66	18.15	1.71	17.82	1.75	17.55	1.78	16.91	1.82
		35	32	21.03	1.64	20.36	1.70	19.67	1.74	19.31	1.78	19.03	1.81	18.34	1.86
		40	36	22.10	1.69	21.48	1.75	20.80	1.79	20.44	1.83	20.15	1.86	19.42	1.91
		45	41	23.44	1.75	22.88	1.81	22.21	1.86	21.84	1.89	21.54	1.92	20.76	1.98
47		43	23.98	1.77	23.44	1.83	22.77	1.89	22.40	1.92	22.10	1.95	21.30	2.00	
50		46	24.05	1.76	23.56	1.81	22.98	1.86	22.65	1.89	22.38	1.92	21.62	1.97	
55		51	24.17	1.74	23.76	1.78	23.33	1.83	23.06	1.85	22.84	1.86	22.17	1.90	
60	56	24.28	1.72	23.97	1.76	23.67	1.79	23.47	1.80	23.31	1.81	22.71	1.84		
63	59	24.35	1.71	24.09	1.74	23.88	1.76	23.72	1.77	23.59	1.78	23.04	1.80		
68	64	24.42	1.70	24.21	1.72	24.09	1.74	23.97	1.75	23.87	1.75	23.37	1.76		

**Notes:**

1. Capacities are based on the following conditions.  
Corresponding refrigerant piping length : 25ft  
Level difference : 0ft

2. TC : Total Capacity (kBtu/h)  
PI : Power Input (kW)

Part 2 Product data\_ Outdoor units

# MULTI ZONE

## 7. Capacity tables

Models : MR24DY3JMA

### ■ Mixed type indoor unit Cooling capacity

Operation	Combination Capacity Index	Outdoor Air Temp.: °FDB	Indoor Air Temp. °F DB / °F WB											
			68 / 57		73 / 61		77 / 64		80 / 67		86 / 72		90 / 75	
			TC	PI	TC	PI	TC	PI	TC	PI	TC	PI	TC	PI
			kBtu/h	kW	kBtu/h	kW	kBtu/h	kW	kBtu/h	kW	kBtu/h	kW	kBtu/h	kW
2 UNITS	9 + 9	14	16.67	0.92	17.71	0.96	18.75	0.99	19.49	1.00	20.82	1.02	21.85	1.04
		20	16.66	0.94	17.70	0.97	18.73	1.00	19.48	1.02	20.80	1.04	21.84	1.06
		25	16.65	0.95	17.68	0.98	18.72	1.02	19.46	1.03	20.79	1.05	21.82	1.07
		30	16.64	0.96	17.67	1.00	18.70	1.03	19.45	1.04	20.77	1.06	21.80	1.09
		35	16.62	0.97	17.66	1.01	18.69	1.05	19.43	1.06	20.75	1.08	21.79	1.10
		40	16.61	0.99	17.64	1.02	18.67	1.06	19.42	1.07	20.74	1.09	21.77	1.12
		45	16.60	1.00	17.63	1.04	18.66	1.08	19.40	1.09	20.72	1.11	21.75	1.13
		50	16.59	1.01	17.62	1.05	18.65	1.09	19.39	1.10	20.71	1.12	21.74	1.15
		55	16.57	1.03	17.60	1.07	18.63	1.10	19.37	1.12	20.69	1.14	21.72	1.16
		60	16.56	1.04	17.59	1.08	18.62	1.12	19.36	1.13	20.67	1.15	21.70	1.18
		65	16.55	1.05	17.58	1.09	18.60	1.13	19.35	1.15	20.66	1.17	21.69	1.19
		70	16.53	1.07	17.56	1.11	18.59	1.15	19.33	1.16	20.64	1.18	21.67	1.21
		75	16.14	1.13	17.16	1.17	18.19	1.21	18.93	1.22	20.23	1.25	21.26	1.27
		80	15.74	1.18	16.76	1.23	17.78	1.27	18.52	1.29	19.83	1.31	20.85	1.34
		85	15.34	1.24	16.36	1.29	17.38	1.33	18.12	1.35	19.42	1.37	20.44	1.40
		90	14.95	1.30	15.97	1.35	16.98	1.39	17.72	1.41	19.02	1.44	20.03	1.47
		95	14.52	1.36	15.53	1.40	16.55	1.46	17.01	1.47	18.57	1.50	19.58	1.53
		100	14.17	1.41	15.18	1.46	16.19	1.52	16.79	1.54	18.22	1.56	19.23	1.60
		105	13.82	1.47	14.83	1.52	15.84	1.58	16.57	1.60	17.86	1.63	18.87	1.66
		110	13.46	1.53	14.47	1.58	15.48	1.64	16.22	1.66	17.51	1.69	18.52	1.73
115	13.11	1.59	14.12	1.64	15.13	1.70	15.86	1.72	17.15	1.76	18.17	1.79		
118	12.90	1.62	13.91	1.68	14.92	1.74	15.65	1.76	16.94	1.79	17.95	1.83		
122	12.82	1.67	13.84	1.73	14.85	1.79	15.58	1.81	16.87	1.84	17.88	1.88		
2 UNITS	9 + 12	14	18.53	1.01	19.68	1.05	20.83	1.09	21.66	1.10	23.13	1.12	24.28	1.14
		20	18.51	1.03	19.66	1.06	20.81	1.10	21.64	1.11	23.11	1.14	24.26	1.16
		25	18.50	1.04	19.65	1.08	20.80	1.12	21.63	1.13	23.09	1.15	24.24	1.17
		30	18.49	1.05	19.63	1.09	20.78	1.13	21.61	1.15	23.08	1.17	24.23	1.19
		35	18.47	1.07	19.62	1.11	20.77	1.15	21.59	1.16	23.06	1.18	24.21	1.21
		40	18.46	1.08	19.60	1.12	20.75	1.16	21.58	1.18	23.04	1.20	24.19	1.22
		45	18.44	1.10	19.59	1.14	20.73	1.18	21.56	1.19	23.02	1.22	24.17	1.24
		50	18.43	1.11	19.57	1.15	20.72	1.20	21.54	1.21	23.01	1.23	24.15	1.26
		55	18.41	1.13	19.56	1.17	20.70	1.21	21.53	1.23	22.99	1.25	24.13	1.27
		60	18.40	1.14	19.54	1.18	20.69	1.23	21.51	1.24	22.97	1.26	24.11	1.29
		65	18.39	1.16	19.53	1.20	20.67	1.24	21.49	1.26	22.95	1.28	24.10	1.31
		70	18.37	1.17	19.51	1.21	20.65	1.26	21.48	1.27	22.94	1.30	24.08	1.32
		75	17.93	1.23	19.07	1.28	20.21	1.33	21.03	1.34	22.48	1.37	23.62	1.39
		80	17.49	1.30	18.62	1.34	19.76	1.39	20.58	1.41	22.03	1.44	23.16	1.47
		85	17.05	1.36	18.18	1.41	19.31	1.46	20.13	1.48	21.58	1.51	22.71	1.54
		90	16.61	1.42	17.74	1.48	18.87	1.53	19.69	1.55	21.13	1.58	22.26	1.61
		95	16.14	1.49	17.26	1.54	18.38	1.60	18.90	1.62	20.63	1.65	21.76	1.68
		100	15.74	1.55	16.87	1.61	17.99	1.67	18.66	1.68	20.24	1.72	21.36	1.75
		105	15.35	1.61	16.47	1.67	17.60	1.73	18.41	1.75	19.85	1.79	20.97	1.82
		110	14.96	1.68	16.08	1.74	17.21	1.80	18.02	1.82	19.45	1.86	20.58	1.89
115	14.56	1.74	15.69	1.80	16.81	1.87	17.62	1.89	19.06	1.93	20.18	1.96		
118	14.33	1.78	15.45	1.84	16.58	1.91	17.39	1.93	18.83	1.97	19.95	2.01		
122	14.25	1.83	15.37	1.89	16.50	1.96	17.31	1.99	18.75	2.02	19.87	2.06		
2 UNITS	12 + 12	14	18.53	1.01	19.68	1.05	20.83	1.09	21.66	1.10	23.13	1.12	24.28	1.14
		20	18.51	1.03	19.66	1.06	20.81	1.10	21.64	1.11	23.11	1.14	24.26	1.16
		25	18.50	1.04	19.65	1.08	20.80	1.12	21.63	1.13	23.09	1.15	24.24	1.17
		30	18.49	1.05	19.63	1.09	20.78	1.13	21.61	1.15	23.08	1.17	24.23	1.19
		35	18.47	1.07	19.62	1.11	20.77	1.15	21.59	1.16	23.06	1.18	24.21	1.21
		40	18.46	1.08	19.60	1.12	20.75	1.16	21.58	1.18	23.04	1.20	24.19	1.22
		45	18.44	1.10	19.59	1.14	20.73	1.18	21.56	1.19	23.02	1.22	24.17	1.24
		50	18.43	1.11	19.57	1.15	20.72	1.20	21.54	1.21	23.01	1.23	24.15	1.26
		55	18.41	1.13	19.56	1.17	20.70	1.21	21.53	1.23	22.99	1.25	24.13	1.27
		60	18.40	1.14	19.54	1.18	20.69	1.23	21.51	1.24	22.97	1.26	24.11	1.29
		65	18.39	1.16	19.53	1.20	20.67	1.24	21.49	1.26	22.95	1.28	24.10	1.31
		70	18.37	1.17	19.51	1.21	20.65	1.26	21.48	1.27	22.94	1.30	24.08	1.32
		75	17.93	1.23	19.07	1.28	20.21	1.33	21.03	1.34	22.48	1.37	23.62	1.39
		80	17.49	1.30	18.62	1.34	19.76	1.39	20.58	1.41	22.03	1.44	23.16	1.47
		85	17.05	1.36	18.18	1.41	19.31	1.46	20.13	1.48	21.58	1.51	22.71	1.54
		90	16.61	1.42	17.74	1.48	18.87	1.53	19.69	1.55	21.13	1.58	22.26	1.61
		95	16.14	1.49	17.26	1.54	18.38	1.60	18.90	1.62	20.63	1.65	21.76	1.68
		100	15.74	1.55	16.87	1.61	17.99	1.67	18.66	1.68	20.24	1.72	21.36	1.75
		105	15.35	1.61	16.47	1.67	17.60	1.73	18.41	1.75	19.85	1.79	20.97	1.82
		110	14.96	1.68	16.08	1.74	17.21	1.80	18.02	1.82	19.45	1.86	20.58	1.89
115	14.56	1.74	15.69	1.80	16.81	1.87	17.62	1.89	19.06	1.93	20.18	1.96		
118	14.33	1.78	15.45	1.84	16.58	1.91	17.39	1.93	18.83	1.97	19.95	2.01		
122	14.25	1.83	15.37	1.89	16.50	1.96	17.31	1.99	18.75	2.02	19.87	2.06		

# MULTI ZONE

## 7. Capacity tables

Models : MR24DY3JMA

### ■ Mixed type indoor unit Cooling capacity

Operation	Combination Capacity Index	Outdoor Air Temp.: °FDB	Indoor Air Temp. °F DB / °F WB													
			68 / 57		73 / 61		77 / 64		80 / 67		86 / 72		90 / 75			
			TC	PI	TC	PI	TC	PI	TC	PI	TC	PI	TC	PI		
			kBtu/h	kW	kBtu/h	kW	kBtu/h	kW	kBtu/h	kW	kBtu/h	kW	kBtu/h	kW		
2 UNITS	9 + 18	14	18.53	1.01	19.68	1.05	20.83	1.09	21.66	1.10	23.13	1.12	24.28	1.14		
		20	18.51	1.03	19.66	1.06	20.81	1.10	21.64	1.11	23.11	1.14	24.26	1.16		
		25	18.50	1.04	19.65	1.08	20.80	1.12	21.63	1.13	23.09	1.15	24.24	1.17		
		30	18.49	1.05	19.63	1.09	20.78	1.13	21.61	1.15	23.08	1.17	24.23	1.19		
		35	18.47	1.07	19.62	1.11	20.77	1.15	21.59	1.16	23.06	1.18	24.21	1.21		
		40	18.46	1.08	19.60	1.12	20.75	1.16	21.58	1.18	23.04	1.20	24.19	1.22		
		45	18.44	1.10	19.59	1.14	20.73	1.18	21.56	1.19	23.02	1.22	24.17	1.24		
		50	18.43	1.11	19.57	1.15	20.72	1.20	21.54	1.21	23.01	1.23	24.15	1.26		
		55	18.41	1.13	19.56	1.17	20.70	1.21	21.53	1.23	22.99	1.25	24.13	1.27		
		60	18.40	1.14	19.54	1.18	20.69	1.23	21.51	1.24	22.97	1.26	24.11	1.29		
		65	18.39	1.16	19.53	1.20	20.67	1.24	21.49	1.26	22.95	1.28	24.10	1.31		
		70	18.37	1.17	19.51	1.21	20.65	1.26	21.48	1.27	22.94	1.30	24.08	1.32		
	75	17.93	1.23	19.07	1.28	20.21	1.33	21.03	1.34	22.48	1.37	23.62	1.39			
	80	17.49	1.30	18.62	1.34	19.76	1.39	20.58	1.41	22.03	1.44	23.16	1.47			
	85	17.05	1.36	18.18	1.41	19.31	1.46	20.13	1.48	21.58	1.51	22.71	1.54			
	90	16.61	1.42	17.74	1.48	18.87	1.53	19.69	1.55	21.13	1.58	22.26	1.61			
	95	16.14	1.49	17.26	1.54	18.38	1.60	18.90	1.62	20.63	1.65	21.76	1.68			
	100	15.74	1.55	16.87	1.61	17.99	1.67	18.66	1.68	20.24	1.72	21.36	1.75			
	105	15.35	1.61	16.47	1.67	17.60	1.73	18.41	1.75	19.85	1.79	20.97	1.82			
	110	14.96	1.68	16.08	1.74	17.21	1.80	18.02	1.82	19.45	1.86	20.58	1.89			
	115	14.56	1.74	15.69	1.80	16.81	1.87	17.62	1.89	19.06	1.93	20.18	1.96			
	118	14.33	1.78	15.45	1.84	16.58	1.91	17.39	1.93	18.83	1.97	19.95	2.01			
	122	14.25	1.83	15.37	1.89	16.50	1.96	17.31	1.99	18.75	2.02	19.87	2.06			
	2 UNITS	12 + 18	14	18.53	1.01	19.68	1.05	20.83	1.09	21.66	1.10	23.13	1.12	24.28	1.14	
20			18.51	1.03	19.66	1.06	20.81	1.10	21.64	1.11	23.11	1.14	24.26	1.16		
25			18.50	1.04	19.65	1.08	20.80	1.12	21.63	1.13	23.09	1.15	24.24	1.17		
30			18.49	1.05	19.63	1.09	20.78	1.13	21.61	1.15	23.08	1.17	24.23	1.19		
35			18.47	1.07	19.62	1.11	20.77	1.15	21.59	1.16	23.06	1.18	24.21	1.21		
40			18.46	1.08	19.60	1.12	20.75	1.16	21.58	1.18	23.04	1.20	24.19	1.22		
45			18.44	1.10	19.59	1.14	20.73	1.18	21.56	1.19	23.02	1.22	24.17	1.24		
50			18.43	1.11	19.57	1.15	20.72	1.20	21.54	1.21	23.01	1.23	24.15	1.26		
55			18.41	1.13	19.56	1.17	20.70	1.21	21.53	1.23	22.99	1.25	24.13	1.27		
60			18.40	1.14	19.54	1.18	20.69	1.23	21.51	1.24	22.97	1.26	24.11	1.29		
65			18.39	1.16	19.53	1.20	20.67	1.24	21.49	1.26	22.95	1.28	24.10	1.31		
70			18.37	1.17	19.51	1.21	20.65	1.26	21.48	1.27	22.94	1.30	24.08	1.32		
75		17.93	1.23	19.07	1.28	20.21	1.33	21.03	1.34	22.48	1.37	23.62	1.39			
80		17.49	1.30	18.62	1.34	19.76	1.39	20.58	1.41	22.03	1.44	23.16	1.47			
85		17.05	1.36	18.18	1.41	19.31	1.46	20.13	1.48	21.58	1.51	22.71	1.54			
90		16.61	1.42	17.74	1.48	18.87	1.53	19.69	1.55	21.13	1.58	22.26	1.61			
95		16.14	1.49	17.26	1.54	18.38	1.60	18.90	1.62	20.63	1.65	21.76	1.68			
100		15.74	1.55	16.87	1.61	17.99	1.67	18.66	1.68	20.24	1.72	21.36	1.75			
105		15.35	1.61	16.47	1.67	17.60	1.73	18.41	1.75	19.85	1.79	20.97	1.82			
110		14.96	1.68	16.08	1.74	17.21	1.80	18.02	1.82	19.45	1.86	20.58	1.89			
115		14.56	1.74	15.69	1.80	16.81	1.87	17.62	1.89	19.06	1.93	20.18	1.96			
118		14.33	1.78	15.45	1.84	16.58	1.91	17.39	1.93	18.83	1.97	19.95	2.01			
122		14.25	1.83	15.37	1.89	16.50	1.96	17.31	1.99	18.75	2.02	19.87	2.06			
3 UNITS		9 + 9 + 9	14	18.53	0.95	19.68	0.98	20.83	1.02	21.66	1.03	23.13	1.05	24.28	1.07	
	20		18.51	0.96	19.66	1.00	20.81	1.03	21.64	1.05	23.11	1.06	24.26	1.09		
	25		18.50	0.98	19.65	1.01	20.80	1.05	21.63	1.06	23.09	1.08	24.24	1.10		
	30		18.49	0.99	19.63	1.03	20.78	1.06	21.61	1.07	23.08	1.09	24.23	1.12		
	35		18.47	1.00	19.62	1.04	20.77	1.08	21.59	1.09	23.06	1.11	24.21	1.13		
	40		18.46	1.02	19.60	1.05	20.75	1.09	21.58	1.10	23.04	1.13	24.19	1.15		
	45		18.44	1.03	19.59	1.07	20.73	1.11	21.56	1.12	23.02	1.14	24.17	1.16		
	50		18.43	1.04	19.57	1.08	20.72	1.12	21.54	1.13	23.01	1.16	24.15	1.18		
	55		18.41	1.06	19.56	1.10	20.70	1.14	21.53	1.15	22.99	1.17	24.13	1.19		
	60		18.40	1.07	19.54	1.11	20.69	1.15	21.51	1.16	22.97	1.19	24.11	1.21		
	65		18.39	1.08	19.53	1.12	20.67	1.16	21.49	1.18	22.95	1.20	24.10	1.22		
	70		18.37	1.10	19.51	1.14	20.65	1.18	21.48	1.19	22.94	1.22	24.08	1.24		
	75	17.93	1.16	19.07	1.20	20.21	1.24	21.03	1.26	22.48	1.28	23.62	1.31			
	80	17.49	1.22	18.62	1.26	19.76	1.31	20.58	1.32	22.03	1.35	23.16	1.37			
	85	17.05	1.28	18.18	1.32	19.31	1.37	20.13	1.39	21.58	1.41	22.71	1.44			
	90	16.61	1.33	17.74	1.38	18.87	1.43	19.69	1.45	21.13	1.48	22.26	1.51			
	95	16.14	1.39	17.26	1.44	18.38	1.50	18.90	1.52	20.63	1.54	21.76	1.57			
	100	15.74	1.45	16.87	1.51	17.99	1.56	18.66	1.58	20.24	1.61	21.36	1.64			
	105	15.35	1.51	16.47	1.57	17.60	1.63	18.41	1.64	19.85	1.67	20.97	1.71			
	110	14.96	1.57	16.08	1.63	17.21	1.69	18.02	1.71	19.45	1.74	20.58	1.78			
	115	14.56	1.63	15.69	1.69	16.81	1.75	17.62	1.77	19.06	1.81	20.18	1.84			
	118	14.33	1.67	15.45	1.73	16.58	1.79	17.39	1.81	18.83	1.85	19.95	1.88			
	122	14.25	1.71	15.37	1.78	16.50	1.84	17.31	1.86	18.75	1.90	19.87	1.94			

Part 2 Product data\_ Outdoor units

# MULTI ZONE

## 7. Capacity tables

Models : MR24DY3JMA

### ■ Mixed type indoor unit Cooling capacity

Operation	Combination Capacity Index	Outdoor Air Temp.: °FDB	Indoor Air Temp. °F DB / °F WB											
			68 / 57		73 / 61		77 / 64		80 / 67		86 / 72		90 / 75	
			TC	PI	TC	PI	TC	PI	TC	PI	TC	PI	TC	PI
			kBtu/h	kW	kBtu/h	kW	kBtu/h	kW	kBtu/h	kW	kBtu/h	kW	kBtu/h	kW
3 UNITS	9 + 9 + 12	14	18.53	0.95	19.68	0.98	20.83	1.02	21.66	1.03	23.13	1.05	24.28	1.07
		20	18.51	0.96	19.66	1.00	20.81	1.03	21.64	1.05	23.11	1.06	24.26	1.09
		25	18.50	0.98	19.65	1.01	20.80	1.05	21.63	1.06	23.09	1.08	24.24	1.10
		30	18.49	0.99	19.63	1.03	20.78	1.06	21.61	1.07	23.08	1.09	24.23	1.12
		35	18.47	1.00	19.62	1.04	20.77	1.08	21.59	1.09	23.06	1.11	24.21	1.13
		40	18.46	1.02	19.60	1.05	20.75	1.09	21.58	1.10	23.04	1.13	24.19	1.15
		45	18.44	1.03	19.59	1.07	20.73	1.11	21.56	1.12	23.02	1.14	24.17	1.16
		50	18.43	1.04	19.57	1.08	20.72	1.12	21.54	1.13	23.01	1.16	24.15	1.18
		55	18.41	1.06	19.56	1.10	20.70	1.14	21.53	1.15	22.99	1.17	24.13	1.19
		60	18.40	1.07	19.54	1.11	20.69	1.15	21.51	1.16	22.97	1.19	24.11	1.21
		65	18.39	1.08	19.53	1.12	20.67	1.16	21.49	1.18	22.95	1.20	24.10	1.22
		70	18.37	1.10	19.51	1.14	20.65	1.18	21.48	1.19	22.94	1.22	24.08	1.24
		75	17.93	1.16	19.07	1.20	20.21	1.24	21.03	1.26	22.48	1.28	23.62	1.31
		80	17.49	1.22	18.62	1.26	19.76	1.31	20.58	1.32	22.03	1.35	23.16	1.37
		85	17.05	1.28	18.18	1.32	19.31	1.37	20.13	1.39	21.58	1.41	22.71	1.44
		90	16.61	1.33	17.74	1.38	18.87	1.43	19.69	1.45	21.13	1.48	22.26	1.51
		95	16.14	1.39	17.26	1.44	18.38	1.50	18.90	1.52	20.63	1.54	21.76	1.57
		100	15.74	1.45	16.87	1.51	17.99	1.56	18.66	1.58	20.24	1.61	21.36	1.64
		105	15.35	1.51	16.47	1.57	17.60	1.63	18.41	1.64	19.85	1.67	20.97	1.71
		110	14.96	1.57	16.08	1.63	17.21	1.69	18.02	1.71	19.45	1.74	20.58	1.78
		115	14.56	1.63	15.69	1.69	16.81	1.75	17.62	1.77	19.06	1.81	20.18	1.84
		118	14.33	1.67	15.45	1.73	16.58	1.79	17.39	1.81	18.83	1.85	19.95	1.88
	122	14.25	1.71	15.37	1.78	16.50	1.84	17.31	1.86	18.75	1.90	19.87	1.94	
	9 + 12 + 12	14	18.53	0.95	19.68	0.98	20.83	1.02	21.66	1.03	23.13	1.05	24.28	1.07
		20	18.51	0.96	19.66	1.00	20.81	1.03	21.64	1.05	23.11	1.06	24.26	1.09
		25	18.50	0.98	19.65	1.01	20.80	1.05	21.63	1.06	23.09	1.08	24.24	1.10
		30	18.49	0.99	19.63	1.03	20.78	1.06	21.61	1.07	23.08	1.09	24.23	1.12
		35	18.47	1.00	19.62	1.04	20.77	1.08	21.59	1.09	23.06	1.11	24.21	1.13
		40	18.46	1.02	19.60	1.05	20.75	1.09	21.58	1.10	23.04	1.13	24.19	1.15
		45	18.44	1.03	19.59	1.07	20.73	1.11	21.56	1.12	23.02	1.14	24.17	1.16
		50	18.43	1.04	19.57	1.08	20.72	1.12	21.54	1.13	23.01	1.16	24.15	1.18
		55	18.41	1.06	19.56	1.10	20.70	1.14	21.53	1.15	22.99	1.17	24.13	1.19
		60	18.40	1.07	19.54	1.11	20.69	1.15	21.51	1.16	22.97	1.19	24.11	1.21
		65	18.39	1.08	19.53	1.12	20.67	1.16	21.49	1.18	22.95	1.20	24.10	1.22
		70	18.37	1.10	19.51	1.14	20.65	1.18	21.48	1.19	22.94	1.22	24.08	1.24
		75	17.93	1.16	19.07	1.20	20.21	1.24	21.03	1.26	22.48	1.28	23.62	1.31
		80	17.49	1.22	18.62	1.26	19.76	1.31	20.58	1.32	22.03	1.35	23.16	1.37
		85	17.05	1.28	18.18	1.32	19.31	1.37	20.13	1.39	21.58	1.41	22.71	1.44
		90	16.61	1.33	17.74	1.38	18.87	1.43	19.69	1.45	21.13	1.48	22.26	1.51
		95	16.14	1.39	17.26	1.44	18.38	1.50	18.90	1.52	20.63	1.54	21.76	1.57
		100	15.74	1.45	16.87	1.51	17.99	1.56	18.66	1.58	20.24	1.61	21.36	1.64
		105	15.35	1.51	16.47	1.57	17.60	1.63	18.41	1.64	19.85	1.67	20.97	1.71
		110	14.96	1.57	16.08	1.63	17.21	1.69	18.02	1.71	19.45	1.74	20.58	1.78
		115	14.56	1.63	15.69	1.69	16.81	1.75	17.62	1.77	19.06	1.81	20.18	1.84
118		14.33	1.67	15.45	1.73	16.58	1.79	17.39	1.81	18.83	1.85	19.95	1.88	
122	14.25	1.71	15.37	1.78	16.50	1.84	17.31	1.86	18.75	1.90	19.87	1.94		

**Notes:**

- Capacities are based on the following conditions.  
Corresponding refrigerant piping length : 25ft , Level difference : 0ft
- TC : Total Capacity (kBtu/h), PI : Power Input (kW)
- indicates reference data. When operating at this temperature, these values can be different by discontinuous operation.

Part 2 Product data Outdoor units

# MULTI ZONE

## 7. Capacity tables

Models : MR24DY3JMA

### ■ Mixed type indoor unit Heating capacity

Operation	Combination Capacity Index (kBtu/h)	Outdoor Air Temp.		Indoor Air Temp.: °FDB											
				61		64		68		70		72		75	
		°F DB	°F WB	kBtu/h	kW	kBtu/h	kW	kBtu/h	kW	kBtu/h	kW	kBtu/h	kW	kBtu/h	kW
2 UNIT	9 + 9	-4	-4.4	6.55	1.35	6.03	1.41	6.02	1.43	5.96	1.44	5.90	1.44	5.64	1.50
		0	-0.4	8.17	1.37	7.67	1.42	7.56	1.44	7.46	1.45	7.38	1.47	7.06	1.52
		5	4.5	10.10	1.38	9.62	1.43	9.40	1.46	9.24	1.48	9.12	1.49	8.75	1.54
		10	9	11.39	1.39	10.93	1.44	10.62	1.48	10.44	1.50	10.29	1.52	9.89	1.56
		17	15	12.81	1.41	12.36	1.46	11.97	1.50	11.76	1.53	11.58	1.55	11.14	1.59
		20	19	13.67	1.42	13.23	1.47	12.79	1.52	12.55	1.55	12.36	1.57	11.89	1.61
		25	23	15.11	1.45	14.66	1.49	14.15	1.55	13.88	1.58	13.67	1.60	13.15	1.65
		30	28	16.56	1.48	16.04	1.53	15.49	1.58	15.21	1.61	14.98	1.64	14.43	1.68
		35	32	18.01	1.51	17.43	1.56	16.84	1.61	16.54	1.64	16.30	1.67	15.71	1.71
		40	36	18.93	1.55	18.39	1.61	17.81	1.65	17.50	1.69	17.25	1.72	16.63	1.76
		45	41	20.07	1.61	19.59	1.66	19.02	1.72	18.70	1.75	18.45	1.77	17.78	1.82
		47	43	20.53	1.63	20.07	1.69	19.50	1.74	19.18	1.77	18.93	1.79	18.24	1.85
	50	46	20.59	1.62	20.18	1.67	19.68	1.72	19.39	1.74	19.16	1.77	18.52	1.81	
	55	51	20.69	1.60	20.35	1.64	19.97	1.68	19.74	1.70	19.56	1.72	18.98	1.75	
	60	56	20.79	1.59	20.52	1.62	20.27	1.65	20.10	1.66	19.96	1.67	19.45	1.70	
	63	59	20.85	1.58	20.63	1.60	20.45	1.63	20.31	1.63	20.20	1.64	19.73	1.66	
	68	64	20.91	1.57	20.73	1.59	20.63	1.61	20.52	1.61	20.44	1.61	20.01	1.63	
	9 + 12	-4	-4.4	7.65	1.49	7.04	1.55	7.03	1.57	6.95	1.58	6.89	1.59	6.58	1.65
		0	-0.4	9.54	1.51	8.95	1.56	8.83	1.59	8.70	1.60	8.61	1.61	8.24	1.67
		5	4.5	11.78	1.52	11.23	1.58	10.96	1.61	10.79	1.63	10.65	1.64	10.22	1.70
		10	9	13.29	1.54	12.75	1.59	12.39	1.63	12.18	1.65	12.01	1.67	11.54	1.72
		17	15	14.94	1.56	14.42	1.61	13.97	1.66	13.72	1.68	13.51	1.71	12.99	1.76
		20	19	15.95	1.57	15.44	1.62	14.92	1.67	14.65	1.70	14.43	1.73	13.88	1.78
		25	23	17.63	1.60	17.10	1.64	16.51	1.71	16.20	1.74	15.95	1.77	15.35	1.81
		30	28	19.32	1.63	18.72	1.68	18.08	1.74	17.75	1.77	17.48	1.81	16.84	1.85
		35	32	21.01	1.66	20.34	1.72	19.65	1.77	19.30	1.81	19.01	1.84	18.33	1.89
		40	36	22.08	1.71	21.46	1.77	20.78	1.82	20.42	1.86	20.13	1.89	19.40	1.94
		45	41	23.42	1.77	22.86	1.83	22.19	1.89	21.82	1.92	21.52	1.95	20.74	2.01
		47	43	23.96	1.80	23.42	1.86	22.75	1.92	22.38	1.95	22.08	1.98	21.28	2.04
	50	46	24.03	1.79	23.54	1.84	22.96	1.89	22.63	1.92	22.36	1.94	21.61	2.00	
	55	51	24.14	1.77	23.74	1.81	23.31	1.85	23.04	1.88	22.82	1.89	22.15	1.93	
	60	56	24.26	1.75	23.95	1.78	23.65	1.82	23.45	1.83	23.29	1.84	22.69	1.87	
	63	59	24.33	1.74	24.07	1.77	23.86	1.79	23.70	1.80	23.56	1.81	23.02	1.83	
	68	64	24.40	1.73	24.19	1.75	24.07	1.77	23.94	1.77	23.85	1.78	23.35	1.79	
	12 + 12	-4	-4.4	7.94	1.53	7.32	1.59	7.30	1.61	7.22	1.62	7.16	1.63	6.83	1.69
		0	-0.4	9.91	1.54	9.30	1.60	9.17	1.63	9.04	1.64	8.94	1.66	8.56	1.71
5		4.5	12.24	1.56	11.66	1.62	11.39	1.65	11.21	1.67	11.06	1.69	10.61	1.74	
10		9	13.81	1.58	13.25	1.63	12.88	1.67	12.66	1.69	12.48	1.71	11.99	1.77	
17		15	15.53	1.60	14.99	1.65	14.51	1.70	14.25	1.73	14.04	1.75	13.50	1.80	
20		19	16.57	1.61	16.04	1.66	15.50	1.72	15.22	1.75	14.99	1.77	14.42	1.82	
25		23	18.31	1.64	17.77	1.69	17.15	1.75	16.83	1.78	16.57	1.81	15.94	1.86	
30		28	20.07	1.67	19.45	1.73	18.78	1.78	18.44	1.82	18.16	1.85	17.49	1.90	
35		32	21.83	1.71	21.13	1.77	20.41	1.81	20.05	1.86	19.75	1.89	19.04	1.94	
40		36	22.94	1.76	22.30	1.82	21.59	1.87	21.21	1.91	20.91	1.94	20.15	1.99	
45		41	24.33	1.82	23.75	1.88	23.05	1.94	22.67	1.97	22.36	2.00	21.55	2.06	
47		43	24.89	1.84	24.33	1.91	23.64	1.97	23.25	2.00	22.94	2.03	22.11	2.09	
50	46	24.96	1.83	24.46	1.89	23.85	1.94	23.51	1.97	23.23	1.99	22.45	2.05		
55	51	25.08	1.81	24.67	1.86	24.21	1.90	23.93	1.92	23.71	1.94	23.01	1.98		
60	56	25.20	1.79	24.88	1.83	24.57	1.86	24.36	1.88	24.19	1.89	23.57	1.92		
63	59	25.28	1.78	25.00	1.81	24.79	1.84	24.62	1.85	24.48	1.85	23.91	1.88		
68	64	25.35	1.77	25.13	1.79	25.00	1.81	24.88	1.82	24.77	1.82	24.25	1.84		

# MULTI ZONE

## 7. Capacity tables

Models : MR24DY3JMA

### ■ Mixed type indoor unit Heating capacity

Operation	Combination Capacity Index (kBtu/h)	Outdoor Air Temp.		Indoor Air Temp.: °FDB											
				61		64		68		70		72		75	
		°F DB	°F WB	kBtu/h	kW	kBtu/h	kW	kBtu/h	kW	kBtu/h	kW	kBtu/h	kW	kBtu/h	kW
2 UNIT	9 + 18	-4	-4.4	7.94	1.53	7.32	1.59	7.30	1.61	7.22	1.62	7.16	1.63	6.83	1.69
		0	-0.4	9.91	1.54	9.30	1.60	9.17	1.63	9.04	1.64	8.94	1.66	8.56	1.71
		5	4.5	12.24	1.56	11.66	1.62	11.39	1.65	11.21	1.67	11.06	1.69	10.61	1.74
		10	9	13.81	1.58	13.25	1.63	12.88	1.67	12.66	1.69	12.48	1.71	11.99	1.77
		17	15	15.53	1.60	14.99	1.65	14.51	1.70	14.25	1.73	14.04	1.75	13.50	1.80
		20	19	16.57	1.61	16.04	1.66	15.50	1.72	15.22	1.75	14.99	1.77	14.42	1.82
		25	23	18.31	1.64	17.77	1.69	17.15	1.75	16.83	1.78	16.57	1.81	15.94	1.86
		30	28	20.07	1.67	19.45	1.73	18.78	1.78	18.44	1.82	18.16	1.85	17.49	1.90
		35	32	21.83	1.71	21.13	1.77	20.41	1.81	20.05	1.86	19.75	1.89	19.04	1.94
		40	36	22.94	1.76	22.30	1.82	21.59	1.87	21.21	1.91	20.91	1.94	20.15	1.99
		45	41	24.33	1.82	23.75	1.88	23.05	1.94	22.67	1.97	22.36	2.00	21.55	2.06
		47	43	24.89	1.84	24.33	1.91	23.64	1.97	23.25	2.00	22.94	2.03	22.11	2.09
		50	46	24.96	1.83	24.46	1.89	23.85	1.94	23.51	1.97	23.23	1.99	22.45	2.05
	55	51	25.08	1.81	24.67	1.86	24.21	1.90	23.93	1.92	23.71	1.94	23.01	1.98	
	60	56	25.20	1.79	24.88	1.83	24.57	1.86	24.36	1.88	24.19	1.89	23.57	1.92	
	63	59	25.28	1.78	25.00	1.81	24.79	1.84	24.62	1.85	24.48	1.85	23.91	1.88	
	68	64	25.35	1.77	25.13	1.79	25.00	1.81	24.88	1.82	24.77	1.82	24.25	1.84	
	12 + 18	-4	-4.4	7.94	1.53	7.32	1.59	7.30	1.61	7.22	1.62	7.16	1.63	6.83	1.69
		0	-0.4	9.91	1.54	9.30	1.60	9.17	1.63	9.04	1.64	8.94	1.66	8.56	1.71
		5	4.5	12.24	1.56	11.66	1.62	11.39	1.65	11.21	1.67	11.06	1.69	10.61	1.74
		10	9	13.81	1.58	13.25	1.63	12.88	1.67	12.66	1.69	12.48	1.71	11.99	1.77
		17	15	15.53	1.60	14.99	1.65	14.51	1.70	14.25	1.73	14.04	1.75	13.50	1.80
		20	19	16.57	1.61	16.04	1.66	15.50	1.72	15.22	1.75	14.99	1.77	14.42	1.82
		25	23	18.31	1.64	17.77	1.69	17.15	1.75	16.83	1.78	16.57	1.81	15.94	1.86
		30	28	20.07	1.67	19.45	1.73	18.78	1.78	18.44	1.82	18.16	1.85	17.49	1.90
		35	32	21.83	1.71	21.13	1.77	20.41	1.81	20.05	1.86	19.75	1.89	19.04	1.94
40		36	22.94	1.76	22.30	1.82	21.59	1.87	21.21	1.91	20.91	1.94	20.15	1.99	
45		41	24.33	1.82	23.75	1.88	23.05	1.94	22.67	1.97	22.36	2.00	21.55	2.06	
47		43	24.89	1.84	24.33	1.91	23.64	1.97	23.25	2.00	22.94	2.03	22.11	2.09	
50		46	24.96	1.83	24.46	1.89	23.85	1.94	23.51	1.97	23.23	1.99	22.45	2.05	
55	51	25.08	1.81	24.67	1.86	24.21	1.90	23.93	1.92	23.71	1.94	23.01	1.98		
60	56	25.20	1.79	24.88	1.83	24.57	1.86	24.36	1.88	24.19	1.89	23.57	1.92		
63	59	25.28	1.78	25.00	1.81	24.79	1.84	24.62	1.85	24.48	1.85	23.91	1.88		
68	64	25.35	1.77	25.13	1.79	25.00	1.81	24.88	1.82	24.77	1.82	24.25	1.84		
3 UNIT	9 + 9 + 9	-4	-4.4	7.94	1.42	7.32	1.48	7.30	1.50	7.22	1.51	7.16	1.52	6.83	1.57
		0	-0.4	9.91	1.44	9.30	1.49	9.17	1.51	9.04	1.53	8.94	1.54	8.56	1.59
		5	4.5	12.24	1.45	11.66	1.50	11.39	1.54	11.21	1.55	11.06	1.57	10.61	1.62
		10	9	13.81	1.47	13.25	1.52	12.88	1.55	12.66	1.58	12.48	1.59	11.99	1.64
		17	15	15.53	1.48	14.99	1.53	14.51	1.58	14.25	1.61	14.04	1.63	13.50	1.67
		20	19	16.57	1.50	16.04	1.54	15.50	1.60	15.22	1.63	14.99	1.65	14.42	1.70
		25	23	18.31	1.52	17.77	1.57	17.15	1.63	16.83	1.66	16.57	1.69	15.94	1.73
		30	28	20.07	1.56	19.45	1.61	18.78	1.66	18.44	1.69	18.16	1.72	17.49	1.77
		35	32	21.83	1.59	21.13	1.64	20.41	1.69	20.05	1.73	19.75	1.76	19.04	1.80
		40	36	22.94	1.63	22.30	1.69	21.59	1.74	21.21	1.77	20.91	1.80	20.15	1.85
		45	41	24.33	1.69	23.75	1.75	23.05	1.80	22.67	1.84	22.36	1.86	21.55	1.92
		47	43	24.89	1.72	24.33	1.77	23.64	1.83	23.25	1.86	22.94	1.89	22.11	1.94
		50	46	24.96	1.70	24.46	1.76	23.85	1.81	23.51	1.83	23.23	1.86	22.45	1.91
55	51	25.08	1.69	24.67	1.73	24.21	1.77	23.93	1.79	23.71	1.81	23.01	1.84		
60	56	25.20	1.67	24.88	1.70	24.57	1.73	24.36	1.74	24.19	1.76	23.57	1.78		
63	59	25.28	1.66	25.00	1.68	24.79	1.71	24.62	1.72	24.48	1.73	23.91	1.75		
68	64	25.35	1.65	25.13	1.67	25.00	1.69	24.88	1.69	24.77	1.70	24.25	1.71		

# MULTI ZONE

## 7. Capacity tables

Models : MR24DY3JMA

### ■ Mixed type indoor unit Heating capacity

Operation	Combination Capacity Index (kBtu/h)	Outdoor Air Temp.		Indoor Air Temp.: °FDB											
				61		64		68		70		72		75	
				TC	PI	TC	PI	TC	PI	TC	PI	TC	PI	TC	PI
3 UNIT	9 + 9 + 12	°F DB	°F WB	kBtu/h	kW	kBtu/h	kW	kBtu/h	kW	kBtu/h	kW	kBtu/h	kW	kBtu/h	kW
		-4	-4.4	7.94	1.42	7.32	1.48	7.30	1.50	7.22	1.51	7.16	1.52	6.83	1.57
		0	-0.4	9.91	1.44	9.30	1.49	9.17	1.51	9.04	1.53	8.94	1.54	8.56	1.59
		5	4.5	12.24	1.45	11.66	1.50	11.39	1.54	11.21	1.55	11.06	1.57	10.61	1.62
		10	9	13.81	1.47	13.25	1.52	12.88	1.55	12.66	1.58	12.48	1.59	11.99	1.64
		17	15	15.53	1.48	14.99	1.53	14.51	1.58	14.25	1.61	14.04	1.63	13.50	1.67
		20	19	16.57	1.50	16.04	1.54	15.50	1.60	15.22	1.63	14.99	1.65	14.42	1.70
		25	23	18.31	1.52	17.77	1.57	17.15	1.63	16.83	1.66	16.57	1.69	15.94	1.73
		30	28	20.07	1.56	19.45	1.61	18.78	1.66	18.44	1.69	18.16	1.72	17.49	1.77
		35	32	21.83	1.59	21.13	1.64	20.41	1.69	20.05	1.73	19.75	1.76	19.04	1.80
		40	36	22.94	1.63	22.30	1.69	21.59	1.74	21.21	1.77	20.91	1.80	20.15	1.85
		45	41	24.33	1.69	23.75	1.75	23.05	1.80	22.67	1.84	22.36	1.86	21.55	1.92
		47	43	24.89	1.72	24.33	1.77	23.64	1.83	23.25	1.86	22.94	1.89	22.11	1.94
		50	46	24.96	1.70	24.46	1.76	23.85	1.81	23.51	1.83	23.23	1.86	22.45	1.91
	55	51	25.08	1.69	24.67	1.73	24.21	1.77	23.93	1.79	23.71	1.81	23.01	1.84	
	60	56	25.20	1.67	24.88	1.70	24.57	1.73	24.36	1.74	24.19	1.76	23.57	1.78	
	63	59	25.28	1.66	25.00	1.68	24.79	1.71	24.62	1.72	24.48	1.73	23.91	1.75	
	68	64	25.35	1.65	25.13	1.67	25.00	1.69	24.88	1.69	24.77	1.70	24.25	1.71	
	9 + 12 + 12	-4	-4.4	7.94	1.42	7.32	1.48	7.30	1.50	7.22	1.51	7.16	1.52	6.83	1.57
		0	-0.4	9.91	1.44	9.30	1.49	9.17	1.51	9.04	1.53	8.94	1.54	8.56	1.59
		5	4.5	12.24	1.45	11.66	1.50	11.39	1.54	11.21	1.55	11.06	1.57	10.61	1.62
		10	9	13.81	1.47	13.25	1.52	12.88	1.55	12.66	1.58	12.48	1.59	11.99	1.64
		17	15	15.53	1.48	14.99	1.53	14.51	1.58	14.25	1.61	14.04	1.63	13.50	1.67
		20	19	16.57	1.50	16.04	1.54	15.50	1.60	15.22	1.63	14.99	1.65	14.42	1.70
		25	23	18.31	1.52	17.77	1.57	17.15	1.63	16.83	1.66	16.57	1.69	15.94	1.73
		30	28	20.07	1.56	19.45	1.61	18.78	1.66	18.44	1.69	18.16	1.72	17.49	1.77
		35	32	21.83	1.59	21.13	1.64	20.41	1.69	20.05	1.73	19.75	1.76	19.04	1.80
		40	36	22.94	1.63	22.30	1.69	21.59	1.74	21.21	1.77	20.91	1.80	20.15	1.85
45		41	24.33	1.69	23.75	1.75	23.05	1.80	22.67	1.84	22.36	1.86	21.55	1.92	
47		43	24.89	1.72	24.33	1.77	23.64	1.83	23.25	1.86	22.94	1.89	22.11	1.94	
50		46	24.96	1.70	24.46	1.76	23.85	1.81	23.51	1.83	23.23	1.86	22.45	1.91	
55		51	25.08	1.69	24.67	1.73	24.21	1.77	23.93	1.79	23.71	1.81	23.01	1.84	
60	56	25.20	1.67	24.88	1.70	24.57	1.73	24.36	1.74	24.19	1.76	23.57	1.78		
63	59	25.28	1.66	25.00	1.68	24.79	1.71	24.62	1.72	24.48	1.73	23.91	1.75		
68	64	25.35	1.65	25.13	1.67	25.00	1.69	24.88	1.69	24.77	1.70	24.25	1.71		

#### Notes:

1. Capacities are based on the following conditions.  
Corresponding refrigerant piping length : 25ft  
Level difference : 0ft

2. TC : Total Capacity (kBtu/h)  
PI : Power Input (kW)

# MULTI ZONE

## 7. Capacity tables

Models : MR36TQY3JMA

### ■ Non ducted type indoor unit

#### Cooling capacity

Operation	Combination Capacity Index	Outdoor Air Temp.: °FDB	Indoor Air Temp. °F DB / °F WB											
			68 / 57		73 / 61		77 / 64		80 / 67		86 / 72		90 / 75	
			TC	PI	TC	PI	TC	PI	TC	PI	TC	PI	TC	PI
			kBtu/h	kW	kBtu/h	kW	kBtu/h	kW	kBtu/h	kW	kBtu/h	kW	kBtu/h	kW
2 UNITS	9 + 9	14	17.65	1.08	18.74	1.12	19.84	1.16	20.63	1.17	22.03	1.19	23.12	1.22
		20	17.63	1.09	18.73	1.13	19.82	1.17	20.61	1.19	22.01	1.21	23.11	1.23
		25	17.62	1.11	18.71	1.15	19.81	1.19	20.60	1.20	22.00	1.23	23.09	1.25
		30	17.60	1.12	18.70	1.16	19.79	1.21	20.58	1.22	21.98	1.24	23.07	1.27
		35	17.59	1.14	18.68	1.18	19.78	1.22	20.57	1.24	21.96	1.26	23.05	1.29
		40	17.58	1.15	18.67	1.20	19.76	1.24	20.55	1.25	21.94	1.28	23.04	1.30
		45	17.56	1.17	18.66	1.21	19.75	1.26	20.53	1.27	21.93	1.29	23.02	1.32
		50	17.55	1.18	18.64	1.23	19.73	1.27	20.52	1.29	21.91	1.31	23.00	1.34
		55	17.54	1.20	18.63	1.24	19.72	1.29	20.50	1.30	21.89	1.33	22.98	1.36
		60	17.52	1.22	18.61	1.26	19.70	1.31	20.49	1.32	21.88	1.35	22.97	1.37
		65	17.51	1.23	18.60	1.28	19.69	1.32	20.47	1.34	21.86	1.36	22.95	1.39
		70	17.50	1.25	18.58	1.29	19.67	1.34	20.46	1.35	21.84	1.38	22.93	1.41
	75	17.08	1.31	18.16	1.36	19.24	1.41	20.03	1.43	21.41	1.45	22.50	1.48	
	80	16.66	1.38	17.74	1.43	18.82	1.48	19.60	1.50	20.98	1.53	22.06	1.56	
	85	16.24	1.45	17.32	1.50	18.40	1.56	19.17	1.57	20.55	1.60	21.63	1.64	
	90	15.82	1.52	16.90	1.57	17.97	1.63	18.75	1.65	20.12	1.68	21.20	1.71	
	95	15.37	1.58	16.44	1.64	17.51	1.70	18.00	1.72	19.65	1.75	20.72	1.79	
	100	14.99	1.65	16.06	1.71	17.13	1.77	17.77	1.79	19.28	1.83	20.35	1.86	
	105	14.62	1.72	15.69	1.78	16.76	1.84	17.53	1.87	18.90	1.90	19.97	1.94	
	110	14.24	1.78	15.32	1.85	16.39	1.92	17.16	1.94	18.53	1.98	19.60	2.02	
	115	13.87	1.85	14.94	1.92	16.01	1.99	16.79	2.01	18.15	2.05	19.22	2.09	
	118	13.65	1.89	14.72	1.96	15.79	2.03	16.56	2.06	17.93	2.09	19.00	2.14	
	122	13.57	1.95	14.64	2.02	15.71	2.09	16.49	2.11	17.85	2.15	18.92	2.20	
	14	20.59	1.23	21.86	1.28	23.14	1.32	24.07	1.34	25.70	1.36	26.98	1.39	
	20	20.57	1.25	21.85	1.30	23.13	1.34	24.05	1.36	25.68	1.38	26.96	1.41	
	25	20.55	1.27	21.83	1.31	23.11	1.36	24.03	1.38	25.66	1.40	26.94	1.43	
	30	20.54	1.29	21.81	1.33	23.09	1.38	24.01	1.40	25.64	1.42	26.92	1.45	
	35	20.52	1.30	21.80	1.35	23.07	1.40	23.99	1.42	25.62	1.44	26.90	1.47	
	40	20.51	1.32	21.78	1.37	23.05	1.42	23.97	1.44	25.60	1.46	26.88	1.49	
	45	20.49	1.34	21.76	1.39	23.04	1.44	23.96	1.46	25.58	1.48	26.86	1.51	
	50	20.48	1.36	21.75	1.41	23.02	1.46	23.94	1.47	25.56	1.50	26.83	1.53	
	55	20.46	1.37	21.73	1.42	23.00	1.48	23.92	1.49	25.54	1.52	26.81	1.55	
	60	20.44	1.39	21.71	1.44	22.98	1.50	23.90	1.51	25.52	1.54	26.79	1.57	
	65	20.43	1.41	21.70	1.46	22.97	1.51	23.88	1.53	25.50	1.56	26.77	1.59	
	70	20.41	1.43	21.68	1.48	22.95	1.53	23.86	1.55	25.48	1.58	26.75	1.61	
	75	19.92	1.50	21.19	1.56	22.45	1.62	23.36	1.64	24.98	1.67	26.25	1.70	
80	19.43	1.58	20.69	1.64	21.95	1.70	22.87	1.72	24.48	1.75	25.74	1.79		
85	18.94	1.66	20.20	1.72	21.46	1.78	22.37	1.80	23.98	1.84	25.24	1.87		
90	18.46	1.74	19.71	1.80	20.97	1.86	21.87	1.89	23.48	1.92	24.73	1.96		
95	17.93	1.81	19.18	1.88	20.43	1.95	21.00	1.97	22.93	2.01	24.17	2.05		
100	17.49	1.89	18.74	1.96	19.99	2.03	20.73	2.05	22.49	2.09	23.74	2.13		
105	17.06	1.97	18.30	2.04	19.55	2.11	20.46	2.14	22.05	2.18	23.30	2.22		
110	16.62	2.04	17.87	2.12	19.12	2.20	20.02	2.22	21.62	2.26	22.86	2.31		
115	16.18	2.12	17.43	2.20	18.68	2.28	19.58	2.30	21.18	2.35	22.43	2.40		
118	15.92	2.17	17.17	2.25	18.42	2.33	19.32	2.36	20.92	2.40	22.17	2.45		
122	15.83	2.23	17.08	2.31	18.33	2.39	19.23	2.42	20.83	2.47	22.08	2.52		
14	23.53	1.36	24.99	1.41	26.45	1.47	27.50	1.48	29.37	1.51	30.83	1.54		
20	23.51	1.38	24.97	1.43	26.43	1.49	27.48	1.50	29.35	1.53	30.81	1.56		
25	23.49	1.40	24.95	1.45	26.41	1.51	27.46	1.53	29.33	1.55	30.79	1.58		
30	23.47	1.42	24.93	1.48	26.39	1.53	27.44	1.55	29.30	1.58	30.76	1.61		
35	23.46	1.44	24.91	1.50	26.37	1.55	27.42	1.57	29.28	1.60	30.74	1.63		
40	23.44	1.46	24.89	1.52	26.35	1.57	27.40	1.59	29.26	1.62	30.72	1.65		
45	23.42	1.48	24.87	1.54	26.33	1.59	27.38	1.61	29.24	1.64	30.69	1.67		
50	23.40	1.50	24.85	1.56	26.31	1.61	27.36	1.63	29.21	1.66	30.67	1.70		
55	23.38	1.52	24.84	1.58	26.29	1.63	27.34	1.65	29.19	1.68	30.64	1.72		
60	23.37	1.54	24.82	1.60	26.27	1.66	27.32	1.67	29.17	1.71	30.62	1.74		
65	23.35	1.56	24.80	1.62	26.25	1.68	27.29	1.70	29.15	1.73	30.60	1.76		
70	23.33	1.58	24.78	1.64	26.23	1.70	27.27	1.72	29.13	1.75	30.57	1.78		
75	22.77	1.67	24.21	1.73	25.66	1.79	26.70	1.81	28.55	1.84	29.99	1.88		
80	22.21	1.75	23.65	1.81	25.09	1.88	26.13	1.90	27.97	1.94	29.42	1.98		
85	21.65	1.84	23.09	1.90	24.53	1.97	25.57	1.99	27.40	2.03	28.84	2.07		
90	21.09	1.92	22.53	1.99	23.96	2.06	25.00	2.09	26.83	2.13	28.27	2.17		
95	20.49	2.01	21.92	2.08	23.35	2.16	24.00	2.18	26.20	2.22	27.63	2.27		
100	19.99	2.09	21.42	2.17	22.85	2.25	23.69	2.27	25.70	2.32	27.13	2.36		
105	19.49	2.18	20.92	2.26	22.35	2.34	23.38	2.37	25.20	2.41	26.63	2.46		
110	18.99	2.26	20.42	2.34	21.85	2.43	22.88	2.46	24.70	2.50	26.13	2.55		
115	18.49	2.35	19.92	2.43	21.35	2.52	22.38	2.55	24.20	2.60	25.63	2.65		
118	18.19	2.40	19.62	2.49	21.05	2.58	22.08	2.61	23.90	2.65	25.33	2.71		
122	18.10	2.47	19.52	2.56	20.95	2.65	21.98	2.68	23.81	2.73	25.23	2.79		

# MULTI ZONE

## 7. Capacity tables

Models : MR36TQY3JMA

### ■ Non ducted type indoor unit

#### Cooling capacity

Operation	Combination Capacity Index	Outdoor Air Temp.: °FDB	Indoor Air Temp. °F DB / °F WB											
			68 / 57		73 / 61		77 / 64		80 / 67		86 / 72		90 / 75	
			TC	PI	TC	PI	TC	PI	TC	PI	TC	PI	TC	PI
			kBtu/h	kW	kBtu/h	kW	kBtu/h	kW	kBtu/h	kW	kBtu/h	kW	kBtu/h	kW
2 UNITS	9 + 18	14	26.47	1.51	28.11	1.57	29.76	1.63	30.94	1.65	33.04	1.68	34.69	1.71
		20	26.45	1.54	28.09	1.59	29.73	1.65	30.92	1.67	33.02	1.70	34.66	1.73
		25	26.43	1.56	28.07	1.61	29.71	1.67	30.90	1.69	32.99	1.72	34.63	1.76
		30	26.41	1.58	28.05	1.64	29.69	1.70	30.87	1.72	32.97	1.75	34.61	1.78
		35	26.39	1.60	28.03	1.66	29.66	1.72	30.85	1.74	32.94	1.77	34.58	1.81
		40	26.37	1.62	28.00	1.68	29.64	1.74	30.82	1.76	32.92	1.80	34.55	1.83
		45	26.35	1.64	27.98	1.71	29.62	1.77	30.80	1.79	32.89	1.82	34.53	1.86
		50	26.33	1.67	27.96	1.73	29.60	1.79	30.78	1.81	32.87	1.85	34.50	1.88
		55	26.31	1.69	27.94	1.75	29.57	1.81	30.75	1.83	32.84	1.87	34.48	1.91
		60	26.29	1.71	27.92	1.77	29.55	1.84	30.73	1.86	32.82	1.89	34.45	1.93
		65	26.27	1.73	27.90	1.80	29.53	1.86	30.71	1.88	32.79	1.92	34.42	1.96
		70	26.25	1.75	27.88	1.82	29.51	1.88	30.68	1.91	32.77	1.94	34.40	1.98
		75	25.61	1.85	27.24	1.92	28.87	1.99	30.04	2.01	32.12	2.05	33.74	2.09
		80	24.98	1.94	26.60	2.01	28.23	2.09	29.40	2.11	31.47	2.15	33.09	2.19
		85	24.36	2.04	25.97	2.11	27.59	2.19	28.76	2.21	30.83	2.26	32.45	2.30
		90	23.73	2.13	25.34	2.21	26.96	2.29	28.12	2.32	30.19	2.36	31.80	2.41
		95	23.05	2.23	24.66	2.31	26.26	2.39	27.00	2.42	29.48	2.47	31.08	2.51
		100	22.49	2.32	24.10	2.41	25.70	2.49	26.65	2.52	28.91	2.57	30.52	2.62
		105	21.93	2.42	23.53	2.50	25.14	2.60	26.30	2.63	28.35	2.67	29.96	2.73
		110	21.37	2.51	22.97	2.60	24.58	2.70	25.74	2.73	27.79	2.78	29.40	2.84
		115	20.81	2.61	22.41	2.70	24.02	2.80	25.18	2.83	27.23	2.88	28.84	2.94
		118	20.47	2.66	22.08	2.76	23.68	2.86	24.84	2.89	26.89	2.95	28.50	3.01
		122	20.36	2.74	21.96	2.84	23.57	2.94	24.73	2.98	26.78	3.03	28.39	3.09
		14	29.41	1.65	31.24	1.71	33.06	1.77	34.38	1.79	36.71	1.82	38.54	1.86
	20	29.39	1.67	31.21	1.73	33.04	1.79	34.35	1.81	36.69	1.85	38.51	1.89	
	25	29.36	1.69	31.19	1.75	33.01	1.82	34.33	1.84	36.66	1.87	38.48	1.91	
	30	29.34	1.72	31.16	1.78	32.99	1.84	34.30	1.87	36.63	1.90	38.45	1.94	
	35	29.32	1.74	31.14	1.80	32.96	1.87	34.28	1.89	36.60	1.93	38.42	1.97	
	40	29.30	1.76	31.12	1.83	32.94	1.90	34.25	1.92	36.57	1.95	38.39	1.99	
	45	29.27	1.79	31.09	1.85	32.91	1.92	34.22	1.94	36.55	1.98	38.36	2.02	
	50	29.25	1.81	31.07	1.88	32.89	1.95	34.20	1.97	36.52	2.01	38.34	2.05	
	55	29.23	1.84	31.04	1.90	32.86	1.97	34.17	1.99	36.49	2.03	38.31	2.07	
	60	29.21	1.86	31.02	1.93	32.83	2.00	34.14	2.02	36.46	2.06	38.28	2.10	
	65	29.18	1.88	31.00	1.95	32.81	2.02	34.12	2.05	36.43	2.08	38.25	2.13	
	70	29.16	1.91	30.97	1.98	32.78	2.05	34.09	2.07	36.41	2.11	38.22	2.15	
	75	28.46	2.01	30.27	2.08	32.07	2.16	33.38	2.18	35.69	2.22	37.49	2.27	
	80	27.76	2.11	29.56	2.19	31.36	2.27	32.66	2.29	34.97	2.34	36.77	2.38	
	85	27.06	2.21	28.86	2.30	30.66	2.38	31.96	2.41	34.25	2.45	36.05	2.50	
	90	26.37	2.32	28.16	2.40	29.95	2.49	31.25	2.52	33.54	2.57	35.33	2.62	
	95	25.61	2.42	27.40	2.51	29.18	2.60	30.00	2.63	32.75	2.68	34.53	2.73	
	100	24.99	2.52	26.77	2.62	28.56	2.71	29.61	2.74	32.13	2.79	33.91	2.85	
	105	24.37	2.63	26.15	2.72	27.93	2.82	29.22	2.85	31.50	2.91	33.29	2.97	
	110	23.74	2.73	25.53	2.83	27.31	2.93	28.60	2.97	30.88	3.02	32.66	3.08	
	115	23.12	2.83	24.90	2.93	26.69	3.04	27.98	3.08	30.26	3.13	32.04	3.20	
	118	22.74	2.89	24.53	3.00	26.31	3.11	27.60	3.14	29.88	3.20	31.67	3.27	
	122	22.62	2.98	24.40	3.08	26.19	3.20	27.48	3.23	29.76	3.29	31.54	3.36	
	14	31.37	1.73	33.32	1.79	35.27	1.86	36.67	1.88	39.16	1.91	41.11	1.95	
	20	31.35	1.75	33.29	1.82	35.24	1.88	36.64	1.90	39.13	1.94	41.08	1.98	
	25	31.32	1.78	33.27	1.84	35.21	1.91	36.62	1.93	39.10	1.97	41.05	2.01	
	30	31.30	1.80	33.24	1.87	35.19	1.94	36.59	1.96	39.07	1.99	41.02	2.03	
	35	31.27	1.83	33.22	1.89	35.16	1.96	36.56	1.98	39.04	2.02	40.99	2.06	
	40	31.25	1.85	33.19	1.92	35.13	1.99	36.53	2.01	39.01	2.05	40.95	2.09	
	45	31.23	1.88	33.17	1.94	35.10	2.02	36.51	2.04	38.98	2.08	40.92	2.12	
	50	31.20	1.90	33.14	1.97	35.08	2.04	36.48	2.07	38.95	2.10	40.89	2.15	
	55	31.18	1.93	33.11	2.00	35.05	2.07	36.45	2.09	38.92	2.13	40.86	2.17	
	60	31.15	1.95	33.09	2.02	35.02	2.10	36.42	2.12	38.89	2.16	40.83	2.20	
	65	31.13	1.98	33.06	2.05	35.00	2.12	36.39	2.15	38.86	2.19	40.80	2.23	
	70	31.11	2.00	33.04	2.07	34.97	2.15	36.37	2.17	38.83	2.21	40.77	2.26	
	75	30.36	2.11	32.28	2.19	34.21	2.26	35.60	2.29	38.07	2.33	39.99	2.38	
	80	29.61	2.22	31.53	2.30	33.45	2.38	34.84	2.41	37.30	2.45	39.22	2.50	
	85	28.87	2.32	30.78	2.41	32.70	2.50	34.09	2.53	36.54	2.57	38.46	2.62	
	90	28.13	2.43	30.04	2.52	31.95	2.61	33.33	2.64	35.78	2.69	37.69	2.75	
	95	27.32	2.54	29.22	2.63	31.13	2.73	32.00	2.76	34.93	2.81	36.84	2.87	
	100	26.65	2.65	28.56	2.74	30.46	2.84	31.59	2.88	34.27	2.93	36.17	2.99	
	105	25.99	2.76	27.89	2.86	29.80	2.96	31.17	2.99	33.60	3.05	35.51	3.11	
	110	25.32	2.86	27.23	2.97	29.13	3.08	30.51	3.11	32.94	3.17	34.84	3.23	
	115	24.66	2.97	26.56	3.08	28.47	3.19	29.84	3.23	32.27	3.29	34.18	3.36	
	118	24.26	3.04	26.16	3.15	28.07	3.26	29.44	3.30	31.87	3.36	33.78	3.43	
	122	24.13	3.12	26.03	3.24	27.93	3.35	29.31	3.39	31.74	3.46	33.64	3.53	

# MULTI ZONE

## 7. Capacity tables

Models : MR36TQY3JMA

### ■ Non ducted type indoor unit

#### Cooling capacity

Operation	Combination Capacity Index	Outdoor Air Temp.: °FDB	Indoor Air Temp. °F DB / °F WB													
			68 / 57		73 / 61		77 / 64		80 / 67		86 / 72		90 / 75			
			TC	PI	TC	PI	TC	PI	TC	PI	TC	PI	TC	PI		
			kBtu/h	kW	kBtu/h	kW	kBtu/h	kW	kBtu/h	kW	kBtu/h	kW	kBtu/h	kW		
9 + 9 + 9		14	26.47	1.44	28.11	1.49	29.76	1.55	30.94	1.56	33.04	1.59	34.69	1.63		
		20	26.45	1.46	28.09	1.51	29.73	1.57	30.92	1.59	33.02	1.62	34.66	1.65		
		25	26.43	1.48	28.07	1.53	29.71	1.59	30.90	1.61	32.99	1.64	34.63	1.67		
		30	26.41	1.50	28.05	1.56	29.69	1.61	30.87	1.63	32.97	1.66	34.61	1.70		
		35	26.39	1.52	28.03	1.58	29.66	1.64	30.85	1.65	32.94	1.69	34.58	1.72		
		40	26.37	1.54	28.00	1.60	29.64	1.66	30.82	1.68	32.92	1.71	34.55	1.74		
		45	26.35	1.56	27.98	1.62	29.62	1.68	30.80	1.70	32.89	1.73	34.53	1.77		
		50	26.33	1.58	27.96	1.64	29.60	1.70	30.78	1.72	32.87	1.75	34.50	1.79		
		55	26.31	1.60	27.94	1.66	29.57	1.72	30.75	1.74	32.84	1.78	34.48	1.81		
		60	26.29	1.63	27.92	1.68	29.55	1.75	30.73	1.77	32.82	1.80	34.45	1.84		
		65	26.27	1.65	27.90	1.71	29.53	1.77	30.71	1.79	32.79	1.82	34.42	1.86		
		70	26.25	1.67	27.88	1.73	29.51	1.79	30.68	1.81	32.77	1.85	34.40	1.88		
		75	25.61	1.76	27.24	1.82	28.87	1.89	30.04	1.91	32.12	1.94	33.74	1.98		
		80	24.98	1.85	26.60	1.91	28.23	1.98	29.40	2.01	31.47	2.04	33.09	2.09		
		85	24.36	1.94	25.97	2.01	27.59	2.08	28.76	2.10	30.83	2.14	32.45	2.19		
		90	23.73	2.03	25.34	2.10	26.96	2.18	28.12	2.20	30.19	2.24	31.80	2.29		
		95	23.05	2.12	24.66	2.19	26.26	2.27	27.00	2.30	29.48	2.34	31.08	2.39		
		100	22.49	2.21	24.10	2.29	25.70	2.37	26.65	2.40	28.91	2.44	30.52	2.49		
		105	21.93	2.30	23.53	2.38	25.14	2.47	26.30	2.50	28.35	2.54	29.96	2.59		
		110	21.37	2.39	22.97	2.47	24.58	2.56	25.74	2.59	27.79	2.64	29.40	2.69		
		115	20.81	2.48	22.41	2.57	24.02	2.66	25.18	2.69	27.23	2.74	28.84	2.80		
		118	20.47	2.53	22.08	2.62	23.68	2.72	24.84	2.75	26.89	2.80	28.50	2.86		
		122	20.36	2.60	21.96	2.70	23.57	2.80	24.73	2.83	26.78	2.88	28.39	2.94		
		3 UNITS	9 + 9 + 12	14	29.41	1.54	31.24	1.60	33.06	1.65	34.38	1.67	36.71	1.70	38.54	1.74
				20	29.39	1.56	31.21	1.62	33.04	1.68	34.35	1.70	36.69	1.73	38.51	1.76
				25	29.36	1.58	31.19	1.64	33.01	1.70	34.33	1.72	36.66	1.75	38.48	1.79
				30	29.34	1.61	31.16	1.66	32.99	1.73	34.30	1.75	36.63	1.78	38.45	1.81
				35	29.32	1.63	31.14	1.69	32.96	1.75	34.28	1.77	36.60	1.80	38.42	1.84
				40	29.30	1.65	31.12	1.71	32.94	1.77	34.25	1.79	36.57	1.83	38.39	1.86
				45	29.27	1.67	31.09	1.73	32.91	1.80	34.22	1.82	36.55	1.85	38.36	1.89
				50	29.25	1.69	31.07	1.76	32.89	1.82	34.20	1.84	36.52	1.88	38.34	1.91
				55	29.23	1.72	31.04	1.78	32.86	1.84	34.17	1.87	36.49	1.90	38.31	1.94
				60	29.21	1.74	31.02	1.80	32.83	1.87	34.14	1.89	36.46	1.92	38.28	1.96
				65	29.18	1.76	31.00	1.82	32.81	1.89	34.12	1.91	36.43	1.95	38.25	1.99
				70	29.16	1.78	30.97	1.85	32.78	1.92	34.09	1.94	36.41	1.97	38.22	2.01
				75	28.46	1.88	30.27	1.95	32.07	2.02	33.38	2.04	35.69	2.08	37.49	2.12
80	27.76			1.98	29.56	2.05	31.36	2.12	32.66	2.15	34.97	2.19	36.77	2.23		
85	27.06			2.07	28.86	2.15	30.66	2.23	31.96	2.25	34.25	2.29	36.05	2.34		
90	26.37			2.17	28.16	2.25	29.95	2.33	31.25	2.36	33.54	2.40	35.33	2.45		
95	25.61			2.26	27.40	2.35	29.18	2.43	30.00	2.46	32.75	2.51	34.53	2.56		
100	24.99			2.36	26.77	2.45	28.56	2.54	29.61	2.56	32.13	2.61	33.91	2.67		
105	24.37			2.46	26.15	2.55	27.93	2.64	29.22	2.67	31.50	2.72	33.29	2.77		
110	23.74			2.55	25.53	2.65	27.31	2.74	28.60	2.77	30.88	2.83	32.66	2.88		
115	23.12			2.65	24.90	2.75	26.69	2.85	27.98	2.88	30.26	2.93	32.04	2.99		
118	22.74			2.71	24.53	2.80	26.31	2.91	27.60	2.94	29.88	3.00	31.67	3.06		
122	22.62			2.78	24.40	2.88	26.19	2.99	27.48	3.02	29.76	3.08	31.54	3.14		
9 + 12 + 12				14	31.37	1.61	33.32	1.67	35.27	1.73	36.67	1.75	39.16	1.79	41.11	1.82
				20	31.35	1.64	33.29	1.70	35.24	1.76	36.64	1.78	39.13	1.81	41.08	1.85
				25	31.32	1.66	33.27	1.72	35.21	1.78	36.62	1.81	39.10	1.84	41.05	1.88
				30	31.30	1.68	33.24	1.75	35.19	1.81	36.59	1.83	39.07	1.86	41.02	1.90
				35	31.27	1.71	33.22	1.77	35.16	1.83	36.56	1.86	39.04	1.89	40.99	1.93
				40	31.25	1.73	33.19	1.79	35.13	1.86	36.53	1.88	39.01	1.92	40.95	1.95
				45	31.23	1.75	33.17	1.82	35.10	1.88	36.51	1.91	38.98	1.94	40.92	1.98
				50	31.20	1.78	33.14	1.84	35.08	1.91	36.48	1.93	38.95	1.97	40.89	2.01
				55	31.18	1.80	33.11	1.87	35.05	1.93	36.45	1.96	38.92	1.99	40.86	2.03
				60	31.15	1.82	33.09	1.89	35.02	1.96	36.42	1.98	38.89	2.02	40.83	2.06
				65	31.13	1.85	33.06	1.91	35.00	1.98	36.39	2.01	38.86	2.04	40.80	2.09
				70	31.11	1.87	33.04	1.94	34.97	2.01	36.37	2.03	38.83	2.07	40.77	2.11
				75	30.36	1.97	32.28	2.04	34.21	2.12	35.60	2.14	38.07	2.18	39.99	2.23
		80	29.61	2.07	31.53	2.15	33.45	2.23	34.84	2.25	37.30	2.29	39.22	2.34		
		85	28.87	2.17	30.78	2.25	32.70	2.33	34.09	2.36	36.54	2.40	38.46	2.45		
		90	28.13	2.27	30.04	2.36	31.95	2.44	33.33	2.47	35.78	2.52	37.69	2.57		
		95	27.32	2.37	29.22	2.46	31.13	2.55	32.00	2.58	34.93	2.63	36.84	2.68		
		100	26.65	2.47	28.56	2.57	30.46	2.66	31.59	2.69	34.27	2.74	36.17	2.80		
		105	25.99	2.58	27.89	2.67	29.80	2.77	31.17	2.80	33.60	2.85	35.51	2.91		
		110	25.32	2.68	27.23	2.77	29.13	2.88	30.51	2.91	32.94	2.96	34.84	3.02		
		115	24.66	2.78	26.56	2.88	28.47	2.98	29.84	3.02	32.27	3.08	34.18	3.14		
		118	24.26	2.84	26.16	2.94	28.07	3.05	29.44	3.08	31.87	3.14	33.78	3.21		
		122	24.13	2.92	26.03	3.03	27.93	3.14	29.31	3.17	31.74	3.23	33.64	3.30		

# MULTI ZONE

## 7. Capacity tables

Models : MR36TQY3JMA

### ■ Non ducted type indoor unit

#### Cooling capacity

Operation	Combination Capacity Index	Outdoor Air Temp.: °FDB	Indoor Air Temp. °F DB / °F WB											
			68 / 57		73 / 61		77 / 64		80 / 67		86 / 72		90 / 75	
			TC	PI	TC	PI	TC	PI	TC	PI	TC	PI	TC	PI
			kBtu/h	kW	kBtu/h	kW	kBtu/h	kW	kBtu/h	kW	kBtu/h	kW	kBtu/h	kW
3 UNITS	9 + 9 + 18	14	31.37	1.61	33.32	1.67	35.27	1.73	36.67	1.75	39.16	1.79	41.11	1.82
		20	31.35	1.64	33.29	1.70	35.24	1.76	36.64	1.78	39.13	1.81	41.08	1.85
		25	31.32	1.66	33.27	1.72	35.21	1.78	36.62	1.81	39.10	1.84	41.05	1.88
		30	31.30	1.68	33.24	1.75	35.19	1.81	36.59	1.83	39.07	1.86	41.02	1.90
		35	31.27	1.71	33.22	1.77	35.16	1.83	36.56	1.86	39.04	1.89	40.99	1.93
		40	31.25	1.73	33.19	1.79	35.13	1.86	36.53	1.88	39.01	1.92	40.95	1.95
		45	31.23	1.75	33.17	1.82	35.10	1.88	36.51	1.91	38.98	1.94	40.92	1.98
		50	31.20	1.78	33.14	1.84	35.08	1.91	36.48	1.93	38.95	1.97	40.89	2.01
		55	31.18	1.80	33.11	1.87	35.05	1.93	36.45	1.96	38.92	1.99	40.86	2.03
		60	31.15	1.82	33.09	1.89	35.02	1.96	36.42	1.98	38.89	2.02	40.83	2.06
		65	31.13	1.85	33.06	1.91	35.00	1.98	36.39	2.01	38.86	2.04	40.80	2.09
		70	31.11	1.87	33.04	1.94	34.97	2.01	36.37	2.03	38.83	2.07	40.77	2.11
	75	30.36	1.97	32.28	2.04	34.21	2.12	35.60	2.14	38.07	2.18	39.99	2.23	
	80	29.61	2.07	31.53	2.15	33.45	2.23	34.84	2.25	37.30	2.29	39.22	2.34	
	85	28.87	2.17	30.78	2.25	32.70	2.33	34.09	2.36	36.54	2.40	38.46	2.45	
	90	28.13	2.27	30.04	2.36	31.95	2.44	33.33	2.47	35.78	2.52	37.69	2.57	
	95	27.32	2.37	29.22	2.46	31.13	2.55	32.00	2.58	34.93	2.63	36.84	2.68	
	100	26.65	2.47	28.56	2.57	30.46	2.66	31.59	2.69	34.27	2.74	36.17	2.80	
	105	25.99	2.58	27.89	2.67	29.80	2.77	31.17	2.80	33.60	2.85	35.51	2.91	
	110	25.32	2.68	27.23	2.77	29.13	2.88	30.51	2.91	32.94	2.96	34.84	3.02	
	115	24.66	2.78	26.56	2.88	28.47	2.98	29.84	3.02	32.27	3.08	34.18	3.14	
	118	24.26	2.84	26.16	2.94	28.07	3.05	29.44	3.08	31.87	3.14	33.78	3.21	
	122	24.13	2.92	26.03	3.03	27.93	3.14	29.31	3.17	31.74	3.23	33.64	3.30	
	12 + 12 + 12	14	31.37	1.61	33.32	1.67	35.27	1.73	36.67	1.75	39.16	1.79	41.11	1.82
		20	31.35	1.64	33.29	1.70	35.24	1.76	36.64	1.78	39.13	1.81	41.08	1.85
		25	31.32	1.66	33.27	1.72	35.21	1.78	36.62	1.81	39.10	1.84	41.05	1.88
		30	31.30	1.68	33.24	1.75	35.19	1.81	36.59	1.83	39.07	1.86	41.02	1.90
		35	31.27	1.71	33.22	1.77	35.16	1.83	36.56	1.86	39.04	1.89	40.99	1.93
		40	31.25	1.73	33.19	1.79	35.13	1.86	36.53	1.88	39.01	1.92	40.95	1.95
		45	31.23	1.75	33.17	1.82	35.10	1.88	36.51	1.91	38.98	1.94	40.92	1.98
		50	31.20	1.78	33.14	1.84	35.08	1.91	36.48	1.93	38.95	1.97	40.89	2.01
		55	31.18	1.80	33.11	1.87	35.05	1.93	36.45	1.96	38.92	1.99	40.86	2.03
		60	31.15	1.82	33.09	1.89	35.02	1.96	36.42	1.98	38.89	2.02	40.83	2.06
		65	31.13	1.85	33.06	1.91	35.00	1.98	36.39	2.01	38.86	2.04	40.80	2.09
		70	31.11	1.87	33.04	1.94	34.97	2.01	36.37	2.03	38.83	2.07	40.77	2.11
	75	30.36	1.97	32.28	2.04	34.21	2.12	35.60	2.14	38.07	2.18	39.99	2.23	
80	29.61	2.07	31.53	2.15	33.45	2.23	34.84	2.25	37.30	2.29	39.22	2.34		
85	28.87	2.17	30.78	2.25	32.70	2.33	34.09	2.36	36.54	2.40	38.46	2.45		
90	28.13	2.27	30.04	2.36	31.95	2.44	33.33	2.47	35.78	2.52	37.69	2.57		
95	27.32	2.37	29.22	2.46	31.13	2.55	32.00	2.58	34.93	2.63	36.84	2.68		
100	26.65	2.47	28.56	2.57	30.46	2.66	31.59	2.69	34.27	2.74	36.17	2.80		
105	25.99	2.58	27.89	2.67	29.80	2.77	31.17	2.80	33.60	2.85	35.51	2.91		
110	25.32	2.68	27.23	2.77	29.13	2.88	30.51	2.91	32.94	2.96	34.84	3.02		
115	24.66	2.78	26.56	2.88	28.47	2.98	29.84	3.02	32.27	3.08	34.18	3.14		
118	24.26	2.84	26.16	2.94	28.07	3.05	29.44	3.08	31.87	3.14	33.78	3.21		
122	24.13	2.92	26.03	3.03	27.93	3.14	29.31	3.17	31.74	3.23	33.64	3.30		
9 + 12 + 18	14	31.37	1.61	33.32	1.67	35.27	1.73	36.67	1.75	39.16	1.79	41.11	1.82	
	20	31.35	1.64	33.29	1.70	35.24	1.76	36.64	1.78	39.13	1.81	41.08	1.85	
	25	31.32	1.66	33.27	1.72	35.21	1.78	36.62	1.81	39.10	1.84	41.05	1.88	
	30	31.30	1.68	33.24	1.75	35.19	1.81	36.59	1.83	39.07	1.86	41.02	1.90	
	35	31.27	1.71	33.22	1.77	35.16	1.83	36.56	1.86	39.04	1.89	40.99	1.93	
	40	31.25	1.73	33.19	1.79	35.13	1.86	36.53	1.88	39.01	1.92	40.95	1.95	
	45	31.23	1.75	33.17	1.82	35.10	1.88	36.51	1.91	38.98	1.94	40.92	1.98	
	50	31.20	1.78	33.14	1.84	35.08	1.91	36.48	1.93	38.95	1.97	40.89	2.01	
	55	31.18	1.80	33.11	1.87	35.05	1.93	36.45	1.96	38.92	1.99	40.86	2.03	
	60	31.15	1.82	33.09	1.89	35.02	1.96	36.42	1.98	38.89	2.02	40.83	2.06	
	65	31.13	1.85	33.06	1.91	35.00	1.98	36.39	2.01	38.86	2.04	40.80	2.09	
	70	31.11	1.87	33.04	1.94	34.97	2.01	36.37	2.03	38.83	2.07	40.77	2.11	
75	30.36	1.97	32.28	2.04	34.21	2.12	35.60	2.14	38.07	2.18	39.99	2.23		
80	29.61	2.07	31.53	2.15	33.45	2.23	34.84	2.25	37.30	2.29	39.22	2.34		
85	28.87	2.17	30.78	2.25	32.70	2.33	34.09	2.36	36.54	2.40	38.46	2.45		
90	28.13	2.27	30.04	2.36	31.95	2.44	33.33	2.47	35.78	2.52	37.69	2.57		
95	27.32	2.37	29.22	2.46	31.13	2.55	32.00	2.58	34.93	2.63	36.84	2.68		
100	26.65	2.47	28.56	2.57	30.46	2.66	31.59	2.69	34.27	2.74	36.17	2.80		
105	25.99	2.58	27.89	2.67	29.80	2.77	31.17	2.80	33.60	2.85	35.51	2.91		
110	25.32	2.68	27.23	2.77	29.13	2.88	30.51	2.91	32.94	2.96	34.84	3.02		
115	24.66	2.78	26.56	2.88	28.47	2.98	29.84	3.02	32.27	3.08	34.18	3.14		
118	24.26	2.84	26.16	2.94	28.07	3.05	29.44	3.08	31.87	3.14	33.78	3.21		
122	24.13	2.92	26.03	3.03	27.93	3.14	29.31	3.17	31.74	3.23	33.64	3.30		

# MULTI ZONE

## 7. Capacity tables

Models : MR36TQY3JMA

### ■ Non ducted type indoor unit

#### Cooling capacity

Operation	Combination Capacity Index	Outdoor Air Temp.: °FDB	Indoor Air Temp. °F DB / °F WB											
			68 / 57		73 / 61		77 / 64		80 / 67		86 / 72		90 / 75	
			TC	PI	TC	PI	TC	PI	TC	PI	TC	PI	TC	PI
			kBtu/h	kW	kBtu/h	kW	kBtu/h	kW	kBtu/h	kW	kBtu/h	kW	kBtu/h	kW
3 UNITS	12 + 12 + 18	14	31.37	1.61	33.32	1.67	35.27	1.73	36.67	1.75	39.16	1.79	41.11	1.82
		20	31.35	1.64	33.29	1.70	35.24	1.76	36.64	1.78	39.13	1.81	41.08	1.85
		25	31.32	1.66	33.27	1.72	35.21	1.78	36.62	1.81	39.10	1.84	41.05	1.88
		30	31.30	1.68	33.24	1.75	35.19	1.81	36.59	1.83	39.07	1.86	41.02	1.90
		35	31.27	1.71	33.22	1.77	35.16	1.83	36.56	1.86	39.04	1.89	40.99	1.93
		40	31.25	1.73	33.19	1.79	35.13	1.86	36.53	1.88	39.01	1.92	40.95	1.95
		45	31.23	1.75	33.17	1.82	35.10	1.88	36.51	1.91	38.98	1.94	40.92	1.98
		50	31.20	1.78	33.14	1.84	35.08	1.91	36.48	1.93	38.95	1.97	40.89	2.01
		55	31.18	1.80	33.11	1.87	35.05	1.93	36.45	1.96	38.92	1.99	40.86	2.03
		60	31.15	1.82	33.09	1.89	35.02	1.96	36.42	1.98	38.89	2.02	40.83	2.06
		65	31.13	1.85	33.06	1.91	35.00	1.98	36.39	2.01	38.86	2.04	40.80	2.09
		70	31.11	1.87	33.04	1.94	34.97	2.01	36.37	2.03	38.83	2.07	40.77	2.11
	75	30.36	1.97	32.28	2.04	34.21	2.12	35.60	2.14	38.07	2.18	39.99	2.23	
	80	29.61	2.07	31.53	2.15	33.45	2.23	34.84	2.25	37.30	2.29	39.22	2.34	
	85	28.87	2.17	30.78	2.25	32.70	2.33	34.09	2.36	36.54	2.40	38.46	2.45	
	90	28.13	2.27	30.04	2.36	31.95	2.44	33.33	2.47	35.78	2.52	37.69	2.57	
	95	27.32	2.37	29.22	2.46	31.13	2.55	32.00	2.58	34.93	2.63	36.84	2.68	
	100	26.65	2.47	28.56	2.57	30.46	2.66	31.59	2.69	34.27	2.74	36.17	2.80	
	105	25.99	2.58	27.89	2.67	29.80	2.77	31.17	2.80	33.60	2.85	35.51	2.91	
	110	25.32	2.68	27.23	2.77	29.13	2.88	30.51	2.91	32.94	2.96	34.84	3.02	
	115	24.66	2.78	26.56	2.88	28.47	2.98	29.84	3.02	32.27	3.08	34.18	3.14	
	118	24.26	2.84	26.16	2.94	28.07	3.05	29.44	3.08	31.87	3.14	33.78	3.21	
	122	24.13	2.92	26.03	3.03	27.93	3.14	29.31	3.17	31.74	3.23	33.64	3.30	
	9 + 18 + 18	14	31.37	1.61	33.32	1.67	35.27	1.73	36.67	1.75	39.16	1.79	41.11	1.82
		20	31.35	1.64	33.29	1.70	35.24	1.76	36.64	1.78	39.13	1.81	41.08	1.85
		25	31.32	1.66	33.27	1.72	35.21	1.78	36.62	1.81	39.10	1.84	41.05	1.88
		30	31.30	1.68	33.24	1.75	35.19	1.81	36.59	1.83	39.07	1.86	41.02	1.90
		35	31.27	1.71	33.22	1.77	35.16	1.83	36.56	1.86	39.04	1.89	40.99	1.93
		40	31.25	1.73	33.19	1.79	35.13	1.86	36.53	1.88	39.01	1.92	40.95	1.95
		45	31.23	1.75	33.17	1.82	35.10	1.88	36.51	1.91	38.98	1.94	40.92	1.98
		50	31.20	1.78	33.14	1.84	35.08	1.91	36.48	1.93	38.95	1.97	40.89	2.01
		55	31.18	1.80	33.11	1.87	35.05	1.93	36.45	1.96	38.92	1.99	40.86	2.03
		60	31.15	1.82	33.09	1.89	35.02	1.96	36.42	1.98	38.89	2.02	40.83	2.06
		65	31.13	1.85	33.06	1.91	35.00	1.98	36.39	2.01	38.86	2.04	40.80	2.09
		70	31.11	1.87	33.04	1.94	34.97	2.01	36.37	2.03	38.83	2.07	40.77	2.11
	12 + 18 + 18	14	31.37	1.61	33.32	1.67	35.27	1.73	36.67	1.75	39.16	1.79	41.11	1.82
20		31.35	1.64	33.29	1.70	35.24	1.76	36.64	1.78	39.13	1.81	41.08	1.85	
25		31.32	1.66	33.27	1.72	35.21	1.78	36.62	1.81	39.10	1.84	41.05	1.88	
30		31.30	1.68	33.24	1.75	35.19	1.81	36.59	1.83	39.07	1.86	41.02	1.90	
35		31.27	1.71	33.22	1.77	35.16	1.83	36.56	1.86	39.04	1.89	40.99	1.93	
40		31.25	1.73	33.19	1.79	35.13	1.86	36.53	1.88	39.01	1.92	40.95	1.95	
45		31.23	1.75	33.17	1.82	35.10	1.88	36.51	1.91	38.98	1.94	40.92	1.98	
50		31.20	1.78	33.14	1.84	35.08	1.91	36.48	1.93	38.95	1.97	40.89	2.01	
55		31.18	1.80	33.11	1.87	35.05	1.93	36.45	1.96	38.92	1.99	40.86	2.03	
60		31.15	1.82	33.09	1.89	35.02	1.96	36.42	1.98	38.89	2.02	40.83	2.06	
65		31.13	1.85	33.06	1.91	35.00	1.98	36.39	2.01	38.86	2.04	40.80	2.09	
70		31.11	1.87	33.04	1.94	34.97	2.01	36.37	2.03	38.83	2.07	40.77	2.11	
75	30.36	1.97	32.28	2.04	34.21	2.12	35.60	2.14	38.07	2.18	39.99	2.23		
80	29.61	2.07	31.53	2.15	33.45	2.23	34.84	2.25	37.30	2.29	39.22	2.34		
85	28.87	2.17	30.78	2.25	32.70	2.33	34.09	2.36	36.54	2.40	38.46	2.45		
90	28.13	2.27	30.04	2.36	31.95	2.44	33.33	2.47	35.78	2.52	37.69	2.57		
95	27.32	2.37	29.22	2.46	31.13	2.55	32.00	2.58	34.93	2.63	36.84	2.68		
100	26.65	2.47	28.56	2.57	30.46	2.66	31.59	2.69	34.27	2.74	36.17	2.80		
105	25.99	2.58	27.89	2.67	29.80	2.77	31.17	2.80	33.60	2.85	35.51	2.91		
110	25.32	2.68	27.23	2.77	29.13	2.88	30.51	2.91	32.94	2.96	34.84	3.02		
115	24.66	2.78	26.56	2.88	28.47	2.98	29.84	3.02	32.27	3.08	34.18	3.14		
118	24.26	2.84	26.16	2.94	28.07	3.05	29.44	3.08	31.87	3.14	33.78	3.21		
122	24.13	2.92	26.03	3.03	27.93	3.14	29.31	3.17	31.74	3.23	33.64	3.30		

# MULTI ZONE

## 7. Capacity tables

Models : MR36TQY3JMA

### ■ Non ducted type indoor unit

#### Cooling capacity

Operation	Combination Capacity Index	Outdoor Air Temp.: °FDB	Indoor Air Temp. °F DB / °F WB											
			68 / 57		73 / 61		77 / 64		80 / 67		86 / 72		90 / 75	
			TC	PI	TC	PI	TC	PI	TC	PI	TC	PI	TC	PI
			kBtu/h	kW	kBtu/h	kW	kBtu/h	kW	kBtu/h	kW	kBtu/h	kW	kBtu/h	kW
4 UNITS	9+9+9+9	14	31.37	1.54	33.32	1.60	35.27	1.65	36.67	1.67	39.16	1.71	41.11	1.74
		20	31.35	1.56	33.29	1.62	35.24	1.68	36.64	1.70	39.13	1.73	41.08	1.76
		25	31.32	1.58	33.27	1.64	35.21	1.70	36.62	1.72	39.10	1.75	41.05	1.79
		30	31.30	1.61	33.24	1.67	35.19	1.73	36.59	1.75	39.07	1.78	41.02	1.81
		35	31.27	1.63	33.22	1.69	35.16	1.75	36.56	1.77	39.04	1.80	40.99	1.84
		40	31.25	1.65	33.19	1.71	35.13	1.77	36.53	1.79	39.01	1.83	40.95	1.86
		45	31.23	1.67	33.17	1.73	35.10	1.80	36.51	1.82	38.98	1.85	40.92	1.89
		50	31.20	1.69	33.14	1.76	35.08	1.82	36.48	1.84	38.95	1.88	40.89	1.91
		55	31.18	1.72	33.11	1.78	35.05	1.84	36.45	1.87	38.92	1.90	40.86	1.94
		60	31.15	1.74	33.09	1.80	35.02	1.87	36.42	1.89	38.89	1.93	40.83	1.96
		65	31.13	1.76	33.06	1.83	35.00	1.89	36.39	1.91	38.86	1.95	40.80	1.99
		70	31.11	1.78	33.04	1.85	34.97	1.92	36.37	1.94	38.83	1.97	40.77	2.01
	75	30.36	1.88	32.28	1.95	34.21	2.02	35.60	2.04	38.07	2.08	39.99	2.12	
	80	29.61	1.98	31.53	2.05	33.45	2.12	34.84	2.15	37.30	2.19	39.22	2.23	
	85	28.87	2.07	30.78	2.15	32.70	2.23	34.09	2.25	36.54	2.29	38.46	2.34	
	90	28.13	2.17	30.04	2.25	31.95	2.33	33.33	2.36	35.78	2.40	37.69	2.45	
	95	27.32	2.26	29.22	2.35	31.13	2.43	32.00	2.46	34.93	2.51	36.84	2.56	
	100	26.65	2.36	28.56	2.45	30.46	2.54	31.59	2.57	34.27	2.61	36.17	2.67	
	105	25.99	2.46	27.89	2.55	29.80	2.64	31.17	2.67	33.60	2.72	35.51	2.77	
	110	25.32	2.55	27.23	2.65	29.13	2.74	30.51	2.77	32.94	2.83	34.84	2.88	
	115	24.66	2.65	26.56	2.75	28.47	2.85	29.84	2.88	32.27	2.93	34.18	2.99	
	118	24.26	2.71	26.16	2.81	28.07	2.91	29.44	2.94	31.87	3.00	33.78	3.06	
	122	24.13	2.78	26.03	2.89	27.93	2.99	29.31	3.03	31.74	3.08	33.64	3.14	
	9+9+9+12	14	31.37	1.54	33.32	1.60	35.27	1.65	36.67	1.67	39.16	1.71	41.11	1.74
		20	31.35	1.56	33.29	1.62	35.24	1.68	36.64	1.70	39.13	1.73	41.08	1.76
		25	31.32	1.58	33.27	1.64	35.21	1.70	36.62	1.72	39.10	1.75	41.05	1.79
		30	31.30	1.61	33.24	1.67	35.19	1.73	36.59	1.75	39.07	1.78	41.02	1.81
		35	31.27	1.63	33.22	1.69	35.16	1.75	36.56	1.77	39.04	1.80	40.99	1.84
		40	31.25	1.65	33.19	1.71	35.13	1.77	36.53	1.79	39.01	1.83	40.95	1.86
		45	31.23	1.67	33.17	1.73	35.10	1.80	36.51	1.82	38.98	1.85	40.92	1.89
		50	31.20	1.69	33.14	1.76	35.08	1.82	36.48	1.84	38.95	1.88	40.89	1.91
		55	31.18	1.72	33.11	1.78	35.05	1.84	36.45	1.87	38.92	1.90	40.86	1.94
		60	31.15	1.74	33.09	1.80	35.02	1.87	36.42	1.89	38.89	1.93	40.83	1.96
		65	31.13	1.76	33.06	1.83	35.00	1.89	36.39	1.91	38.86	1.95	40.80	1.99
		70	31.11	1.78	33.04	1.85	34.97	1.92	36.37	1.94	38.83	1.97	40.77	2.01
	9+9+12+12	14	31.37	1.54	33.32	1.60	35.27	1.65	36.67	1.67	39.16	1.71	41.11	1.74
20		31.35	1.56	33.29	1.62	35.24	1.68	36.64	1.70	39.13	1.73	41.08	1.76	
25		31.32	1.58	33.27	1.64	35.21	1.70	36.62	1.72	39.10	1.75	41.05	1.79	
30		31.30	1.61	33.24	1.67	35.19	1.73	36.59	1.75	39.07	1.78	41.02	1.81	
35		31.27	1.63	33.22	1.69	35.16	1.75	36.56	1.77	39.04	1.80	40.99	1.84	
40		31.25	1.65	33.19	1.71	35.13	1.77	36.53	1.79	39.01	1.83	40.95	1.86	
45		31.23	1.67	33.17	1.73	35.10	1.80	36.51	1.82	38.98	1.85	40.92	1.89	
50		31.20	1.69	33.14	1.76	35.08	1.82	36.48	1.84	38.95	1.88	40.89	1.91	
55		31.18	1.72	33.11	1.78	35.05	1.84	36.45	1.87	38.92	1.90	40.86	1.94	
60		31.15	1.74	33.09	1.80	35.02	1.87	36.42	1.89	38.89	1.93	40.83	1.96	
65		31.13	1.76	33.06	1.83	35.00	1.89	36.39	1.91	38.86	1.95	40.80	1.99	
70		31.11	1.78	33.04	1.85	34.97	1.92	36.37	1.94	38.83	1.97	40.77	2.01	
75	30.36	1.88	32.28	1.95	34.21	2.02	35.60	2.04	38.07	2.08	39.99	2.12		
80	29.61	1.98	31.53	2.05	33.45	2.12	34.84	2.15	37.30	2.19	39.22	2.23		
85	28.87	2.07	30.78	2.15	32.70	2.23	34.09	2.25	36.54	2.29	38.46	2.34		
90	28.13	2.17	30.04	2.25	31.95	2.33	33.33	2.36	35.78	2.40	37.69	2.45		
95	27.32	2.26	29.22	2.35	31.13	2.43	32.00	2.46	34.93	2.51	36.84	2.56		
100	26.65	2.36	28.56	2.45	30.46	2.54	31.59	2.57	34.27	2.61	36.17	2.67		
105	25.99	2.46	27.89	2.55	29.80	2.64	31.17	2.67	33.60	2.72	35.51	2.77		
110	25.32	2.55	27.23	2.65	29.13	2.74	30.51	2.77	32.94	2.83	34.84	2.88		
115	24.66	2.65	26.56	2.75	28.47	2.85	29.84	2.88	32.27	2.93	34.18	2.99		
118	24.26	2.71	26.16	2.81	28.07	2.91	29.44	2.94	31.87	3.00	33.78	3.06		
122	24.13	2.78	26.03	2.89	27.93	2.99	29.31	3.03	31.74	3.08	33.64	3.14		

Part 2 Product data\_ Outdoor units

# MULTI ZONE

## 7. Capacity tables

Models : MR36TQY3JMA

### ■ Non ducted type indoor unit

#### Cooling capacity

Operation	Combination Capacity Index	Outdoor Air Temp.: °FDB	Indoor Air Temp. °F DB / °F WB											
			68 / 57		73 / 61		77 / 64		80 / 67		86 / 72		90 / 75	
			TC	PI	TC	PI	TC	PI	TC	PI	TC	PI	TC	PI
			kBtu/h	kW	kBtu/h	kW	kBtu/h	kW	kBtu/h	kW	kBtu/h	kW	kBtu/h	kW
9 + 9 + 9 + 18		14	31.37	1.54	33.32	1.60	35.27	1.65	36.67	1.67	39.16	1.71	41.11	1.74
		20	31.35	1.56	33.29	1.62	35.24	1.68	36.64	1.70	39.13	1.73	41.08	1.76
		25	31.32	1.58	33.27	1.64	35.21	1.70	36.62	1.72	39.10	1.75	41.05	1.79
		30	31.30	1.61	33.24	1.67	35.19	1.73	36.59	1.75	39.07	1.78	41.02	1.81
		35	31.27	1.63	33.22	1.69	35.16	1.75	36.56	1.77	39.04	1.80	40.99	1.84
		40	31.25	1.65	33.19	1.71	35.13	1.77	36.53	1.79	39.01	1.83	40.95	1.86
		45	31.23	1.67	33.17	1.73	35.10	1.80	36.51	1.82	38.98	1.85	40.92	1.89
		50	31.20	1.69	33.14	1.76	35.08	1.82	36.48	1.84	38.95	1.88	40.89	1.91
		55	31.18	1.72	33.11	1.78	35.05	1.84	36.45	1.87	38.92	1.90	40.86	1.94
		60	31.15	1.74	33.09	1.80	35.02	1.87	36.42	1.89	38.89	1.93	40.83	1.96
		65	31.13	1.76	33.06	1.83	35.00	1.89	36.39	1.91	38.86	1.95	40.80	1.99
		70	31.11	1.78	33.04	1.85	34.97	1.92	36.37	1.94	38.83	1.97	40.77	2.01
		75	30.36	1.88	32.28	1.95	34.21	2.02	35.60	2.04	38.07	2.08	39.99	2.12
		80	29.61	1.98	31.53	2.05	33.45	2.12	34.84	2.15	37.30	2.19	39.22	2.23
		85	28.87	2.07	30.78	2.15	32.70	2.23	34.09	2.25	36.54	2.29	38.46	2.34
		90	28.13	2.17	30.04	2.25	31.95	2.33	33.33	2.36	35.78	2.40	37.69	2.45
		95	27.32	2.26	29.22	2.35	31.13	2.43	32.00	2.46	34.93	2.51	36.84	2.56
		100	26.65	2.36	28.56	2.45	30.46	2.54	31.59	2.57	34.27	2.61	36.17	2.67
		105	25.99	2.46	27.89	2.55	29.80	2.64	31.17	2.67	33.60	2.72	35.51	2.77
		110	25.32	2.55	27.23	2.65	29.13	2.74	30.51	2.77	32.94	2.83	34.84	2.88
		115	24.66	2.65	26.56	2.75	28.47	2.85	29.84	2.88	32.27	2.93	34.18	2.99
		118	24.26	2.71	26.16	2.81	28.07	2.91	29.44	2.94	31.87	3.00	33.78	3.06
		122	24.13	2.78	26.03	2.89	27.93	2.99	29.31	3.03	31.74	3.08	33.64	3.14
		4 UNITS	9 + 12 + 12 + 12	14	31.37	1.54	33.32	1.60	35.27	1.65	36.67	1.67	39.16	1.71
20	31.35			1.56	33.29	1.62	35.24	1.68	36.64	1.70	39.13	1.73	41.08	1.76
25	31.32			1.58	33.27	1.64	35.21	1.70	36.62	1.72	39.10	1.75	41.05	1.79
30	31.30			1.61	33.24	1.67	35.19	1.73	36.59	1.75	39.07	1.78	41.02	1.81
35	31.27			1.63	33.22	1.69	35.16	1.75	36.56	1.77	39.04	1.80	40.99	1.84
40	31.25			1.65	33.19	1.71	35.13	1.77	36.53	1.79	39.01	1.83	40.95	1.86
45	31.23			1.67	33.17	1.73	35.10	1.80	36.51	1.82	38.98	1.85	40.92	1.89
50	31.20			1.69	33.14	1.76	35.08	1.82	36.48	1.84	38.95	1.88	40.89	1.91
55	31.18			1.72	33.11	1.78	35.05	1.84	36.45	1.87	38.92	1.90	40.86	1.94
60	31.15			1.74	33.09	1.80	35.02	1.87	36.42	1.89	38.89	1.93	40.83	1.96
65	31.13			1.76	33.06	1.83	35.00	1.89	36.39	1.91	38.86	1.95	40.80	1.99
70	31.11			1.78	33.04	1.85	34.97	1.92	36.37	1.94	38.83	1.97	40.77	2.01
75	30.36			1.88	32.28	1.95	34.21	2.02	35.60	2.04	38.07	2.08	39.99	2.12
80	29.61			1.98	31.53	2.05	33.45	2.12	34.84	2.15	37.30	2.19	39.22	2.23
85	28.87			2.07	30.78	2.15	32.70	2.23	34.09	2.25	36.54	2.29	38.46	2.34
90	28.13			2.17	30.04	2.25	31.95	2.33	33.33	2.36	35.78	2.40	37.69	2.45
95	27.32			2.26	29.22	2.35	31.13	2.43	32.00	2.46	34.93	2.51	36.84	2.56
100	26.65			2.36	28.56	2.45	30.46	2.54	31.59	2.57	34.27	2.61	36.17	2.67
105	25.99			2.46	27.89	2.55	29.80	2.64	31.17	2.67	33.60	2.72	35.51	2.77
110	25.32			2.55	27.23	2.65	29.13	2.74	30.51	2.77	32.94	2.83	34.84	2.88
115	24.66			2.65	26.56	2.75	28.47	2.85	29.84	2.88	32.27	2.93	34.18	2.99
118	24.26			2.71	26.16	2.81	28.07	2.91	29.44	2.94	31.87	3.00	33.78	3.06
122	24.13			2.78	26.03	2.89	27.93	2.99	29.31	3.03	31.74	3.08	33.64	3.14
9 + 9 + 12 + 18				14	31.37	1.54	33.32	1.60	35.27	1.65	36.67	1.67	39.16	1.71
		20	31.35	1.56	33.29	1.62	35.24	1.68	36.64	1.70	39.13	1.73	41.08	1.76
		25	31.32	1.58	33.27	1.64	35.21	1.70	36.62	1.72	39.10	1.75	41.05	1.79
		30	31.30	1.61	33.24	1.67	35.19	1.73	36.59	1.75	39.07	1.78	41.02	1.81
		35	31.27	1.63	33.22	1.69	35.16	1.75	36.56	1.77	39.04	1.80	40.99	1.84
		40	31.25	1.65	33.19	1.71	35.13	1.77	36.53	1.79	39.01	1.83	40.95	1.86
		45	31.23	1.67	33.17	1.73	35.10	1.80	36.51	1.82	38.98	1.85	40.92	1.89
		50	31.20	1.69	33.14	1.76	35.08	1.82	36.48	1.84	38.95	1.88	40.89	1.91
		55	31.18	1.72	33.11	1.78	35.05	1.84	36.45	1.87	38.92	1.90	40.86	1.94
		60	31.15	1.74	33.09	1.80	35.02	1.87	36.42	1.89	38.89	1.93	40.83	1.96
		65	31.13	1.76	33.06	1.83	35.00	1.89	36.39	1.91	38.86	1.95	40.80	1.99
		70	31.11	1.78	33.04	1.85	34.97	1.92	36.37	1.94	38.83	1.97	40.77	2.01
		75	30.36	1.88	32.28	1.95	34.21	2.02	35.60	2.04	38.07	2.08	39.99	2.12
		80	29.61	1.98	31.53	2.05	33.45	2.12	34.84	2.15	37.30	2.19	39.22	2.23
		85	28.87	2.07	30.78	2.15	32.70	2.23	34.09	2.25	36.54	2.29	38.46	2.34
		90	28.13	2.17	30.04	2.25	31.95	2.33	33.33	2.36	35.78	2.40	37.69	2.45
		95	27.32	2.26	29.22	2.35	31.13	2.43	32.00	2.46	34.93	2.51	36.84	2.56
		100	26.65	2.36	28.56	2.45	30.46	2.54	31.59	2.57	34.27	2.61	36.17	2.67
		105	25.99	2.46	27.89	2.55	29.80	2.64	31.17	2.67	33.60	2.72	35.51	2.77
		110	25.32	2.55	27.23	2.65	29.13	2.74	30.51	2.77	32.94	2.83	34.84	2.88
		115	24.66	2.65	26.56	2.75	28.47	2.85	29.84	2.88	32.27	2.93	34.18	2.99
		118	24.26	2.71	26.16	2.81	28.07	2.91	29.44	2.94	31.87	3.00	33.78	3.06
		122	24.13	2.78	26.03	2.89	27.93	2.99	29.31	3.03	31.74	3.08	33.64	3.14

Part 2 Product data Outdoor units

# MULTI ZONE

## 7. Capacity tables

Models : MR36TQY3JMA

### ■ Non ducted type indoor unit

#### Cooling capacity

Operation	Combination Capacity Index	Outdoor Air Temp.: °FDB	Indoor Air Temp. °F DB / °F WB											
			68 / 57		73 / 61		77 / 64		80 / 67		86 / 72		90 / 75	
			TC	PI	TC	PI	TC	PI	TC	PI	TC	PI	TC	PI
			kBtu/h	kW	kBtu/h	kW	kBtu/h	kW	kBtu/h	kW	kBtu/h	kW	kBtu/h	kW
4 UNITS	12 + 12 + 12 + 12	14	31.37	1.54	33.32	1.60	35.27	1.65	36.67	1.67	39.16	1.71	41.11	1.74
		20	31.35	1.56	33.29	1.62	35.24	1.68	36.64	1.70	39.13	1.73	41.08	1.76
		25	31.32	1.58	33.27	1.64	35.21	1.70	36.62	1.72	39.10	1.75	41.05	1.79
		30	31.30	1.61	33.24	1.67	35.19	1.73	36.59	1.75	39.07	1.78	41.02	1.81
		35	31.27	1.63	33.22	1.69	35.16	1.75	36.56	1.77	39.04	1.80	40.99	1.84
		40	31.25	1.65	33.19	1.71	35.13	1.77	36.53	1.79	39.01	1.83	40.95	1.86
		45	31.23	1.67	33.17	1.73	35.10	1.80	36.51	1.82	38.98	1.85	40.92	1.89
		50	31.20	1.69	33.14	1.76	35.08	1.82	36.48	1.84	38.95	1.88	40.89	1.91
		55	31.18	1.72	33.11	1.78	35.05	1.84	36.45	1.87	38.92	1.90	40.86	1.94
		60	31.15	1.74	33.09	1.80	35.02	1.87	36.42	1.89	38.89	1.93	40.83	1.96
		65	31.13	1.76	33.06	1.83	35.00	1.89	36.39	1.91	38.86	1.95	40.80	1.99
		70	31.11	1.78	33.04	1.85	34.97	1.92	36.37	1.94	38.83	1.97	40.77	2.01
		75	30.36	1.88	32.28	1.95	34.21	2.02	35.60	2.04	38.07	2.08	39.99	2.12
		80	29.61	1.98	31.53	2.05	33.45	2.12	34.84	2.15	37.30	2.19	39.22	2.23
		85	28.87	2.07	30.78	2.15	32.70	2.23	34.09	2.25	36.54	2.29	38.46	2.34
		90	28.13	2.17	30.04	2.25	31.95	2.33	33.33	2.36	35.78	2.40	37.69	2.45
		95	27.32	2.26	29.22	2.35	31.13	2.43	32.00	2.46	34.93	2.51	36.84	2.56
		100	26.65	2.36	28.56	2.45	30.46	2.54	31.59	2.57	34.27	2.61	36.17	2.67
		105	25.99	2.46	27.89	2.55	29.80	2.64	31.17	2.67	33.60	2.72	35.51	2.77
		110	25.32	2.55	27.23	2.65	29.13	2.74	30.51	2.77	32.94	2.83	34.84	2.88
115	24.66	2.65	26.56	2.75	28.47	2.85	29.84	2.88	32.27	2.93	34.18	2.99		
118	24.26	2.71	26.16	2.81	28.07	2.91	29.44	2.94	31.87	3.00	33.78	3.06		
122	24.13	2.78	26.03	2.89	27.93	2.99	29.31	3.03	31.74	3.08	33.64	3.14		

#### Notes:

- Capacities are based on the following conditions.  
Corresponding refrigerant piping length : 25ft  
Level difference : 0ft
- TC : Total Capacity (kBtu/h)  
PI : Power Input (kW)
- indicates reference data. When operating at this temperature, these values can be different by discontinuous operation.

# MULTI ZONE

## 7. Capacity tables

Models : MR36TQY3JMA

### ■ Non ducted type indoor unit

#### Heating capacity

Operation	Combination Capacity Index (kBTu/h)	Outdoor Air Temp.		Indoor Air Temp.: °FDB											
				61		64		68		70		72		75	
		°F DB	°F WB	kBTu/h	kW	kBTu/h	kW	kBTu/h	kW	kBTu/h	kW	kBTu/h	kW	kBTu/h	kW
2 UNIT	9+9	-4	-4.4	6.75	1.36	6.26	1.41	6.20	1.43	6.13	1.43	6.08	1.44	5.80	1.50
		0	-0.4	8.42	1.38	7.91	1.44	7.79	1.46	7.69	1.47	7.60	1.48	7.28	1.53
		5	4.5	10.41	1.42	9.92	1.47	9.69	1.50	9.53	1.52	9.41	1.53	9.03	1.58
		10	9	11.75	1.45	11.27	1.50	10.96	1.54	10.77	1.56	10.62	1.57	10.20	1.62
		17	15	13.21	1.49	12.75	1.54	12.35	1.58	12.13	1.61	11.95	1.63	11.49	1.68
		20	19	14.10	1.52	13.65	1.56	13.20	1.62	12.95	1.65	12.76	1.67	12.27	1.72
		25	23	15.59	1.57	15.13	1.61	14.60	1.67	14.33	1.71	14.10	1.73	13.57	1.78
		30	28	17.09	1.62	16.56	1.68	15.99	1.73	15.70	1.77	15.46	1.80	14.90	1.84
		35	32	18.59	1.68	18.00	1.74	17.38	1.79	17.07	1.83	16.82	1.86	16.21	1.91
		40	36	19.54	1.73	18.99	1.79	18.38	1.84	18.06	1.88	17.81	1.91	17.16	1.96
		45	41	20.72	1.79	20.23	1.85	19.63	1.91	19.30	1.94	19.04	1.97	18.35	2.03
		47	43	21.19	1.82	20.72	1.88	20.13	1.94	19.80	1.97	19.54	2.00	18.83	2.06
		50	46	21.26	1.81	20.83	1.86	20.31	1.91	20.02	1.94	19.78	1.96	19.11	2.02
		55	51	21.36	1.79	21.01	1.83	20.62	1.87	20.38	1.89	20.19	1.91	19.59	1.95
		60	56	21.46	1.77	21.18	1.80	20.92	1.83	20.75	1.85	20.60	1.86	20.08	1.89
		63	59	21.53	1.76	21.29	1.78	21.11	1.81	20.96	1.82	20.85	1.83	20.36	1.85
		68	64	21.59	1.74	21.40	1.77	21.29	1.79	21.18	1.79	21.10	1.80	20.66	1.81
		9+12	-4	-4.4	7.87	1.53	7.30	1.59	7.23	1.61	7.15	1.62	7.09	1.62	6.77
	0		-0.4	9.82	1.56	9.22	1.62	9.09	1.64	8.97	1.66	8.87	1.67	8.49	1.73
	5		4.5	12.15	1.60	11.57	1.65	11.30	1.69	11.12	1.71	10.97	1.72	10.53	1.78
	10		9	13.70	1.63	13.15	1.69	12.78	1.73	12.56	1.75	12.39	1.77	11.90	1.83
	17		15	15.41	1.68	14.88	1.73	14.41	1.79	14.15	1.81	13.94	1.84	13.40	1.89
	20		19	16.45	1.71	15.93	1.76	15.40	1.82	15.11	1.86	14.88	1.88	14.32	1.93
	25		23	18.19	1.77	17.65	1.82	17.04	1.89	16.71	1.92	16.45	1.95	15.84	2.01
	30		28	19.94	1.83	19.32	1.89	18.66	1.95	18.32	1.99	18.04	2.03	17.38	2.08
	35		32	21.69	1.89	21.00	1.96	20.28	2.01	19.92	2.06	19.63	2.10	18.92	2.15
	40		36	22.79	1.95	22.15	2.02	21.45	2.07	21.07	2.12	20.78	2.15	20.02	2.21
	45		41	24.17	2.02	23.60	2.09	22.90	2.15	22.52	2.19	22.22	2.22	21.41	2.29
	47		43	24.73	2.05	24.17	2.11	23.48	2.18	23.10	2.22	22.79	2.25	21.96	2.32
	50		46	24.80	2.03	24.30	2.10	23.70	2.16	23.35	2.19	23.08	2.21	22.30	2.27
	55		51	24.92	2.01	24.51	2.06	24.05	2.11	23.78	2.14	23.56	2.15	22.86	2.20
	60		56	25.04	1.99	24.72	2.03	24.41	2.07	24.20	2.08	24.04	2.09	23.42	2.13
	63		59	25.11	1.98	24.84	2.01	24.63	2.04	24.46	2.05	24.32	2.06	23.76	2.08
	68		64	25.19	1.97	24.97	1.99	24.84	2.01	24.71	2.02	24.61	2.02	24.10	2.04
	12+12		-4	-4.4	8.99	1.67	8.35	1.74	8.26	1.76	8.18	1.77	8.10	1.78	7.74
		0	-0.4	11.23	1.71	10.54	1.77	10.39	1.80	10.25	1.81	10.13	1.83	9.70	1.89
		5	4.5	13.88	1.75	13.23	1.81	12.92	1.85	12.71	1.87	12.54	1.89	12.04	1.95
		10	9	15.66	1.79	15.03	1.85	14.61	1.89	14.36	1.92	14.16	1.94	13.60	2.00
		17	15	17.62	1.84	17.00	1.90	16.47	1.95	16.17	1.99	15.93	2.01	15.32	2.07
		20	19	18.80	1.87	18.20	1.93	17.60	1.99	17.27	2.03	17.01	2.06	16.36	2.12
		25	23	20.79	1.93	20.17	1.99	19.47	2.06	19.10	2.11	18.81	2.14	18.10	2.20
		30	28	22.79	2.00	22.08	2.07	21.32	2.13	20.93	2.18	20.62	2.22	19.86	2.27
		35	32	24.79	2.07	24.00	2.15	23.18	2.20	22.76	2.26	22.43	2.30	21.62	2.35
		40	36	26.05	2.13	25.32	2.21	24.51	2.27	24.09	2.32	23.75	2.36	22.89	2.42
		45	41	27.63	2.21	26.97	2.28	26.17	2.36	25.74	2.40	25.39	2.43	24.47	2.50
		47	43	28.26	2.24	27.63	2.31	26.84	2.39	26.40	2.43	26.05	2.46	25.10	2.54
		50	46	28.34	2.23	27.77	2.29	27.08	2.36	26.69	2.40	26.38	2.42	25.49	2.49
		55	51	28.48	2.20	28.01	2.26	27.49	2.31	27.18	2.34	26.92	2.36	26.13	2.41
		60	56	28.62	2.18	28.25	2.22	27.90	2.26	27.66	2.28	27.47	2.29	26.77	2.33
		63	59	28.70	2.17	28.39	2.20	28.14	2.23	27.95	2.24	27.80	2.25	27.15	2.28
		68	64	28.79	2.15	28.53	2.18	28.39	2.20	28.25	2.21	28.13	2.22	27.54	2.23
		9+18	-4	-4.4	10.12	1.84	9.39	1.91	9.30	1.93	9.20	1.94	9.12	1.95	8.70
	0		-0.4	12.63	1.87	11.86	1.95	11.69	1.98	11.53	1.99	11.40	2.01	10.91	2.08
	5		4.5	15.62	1.92	14.88	1.99	14.53	2.03	14.30	2.05	14.11	2.07	13.54	2.14
	10		9	17.62	1.96	16.90	2.03	16.43	2.08	16.15	2.11	15.93	2.13	15.30	2.20
	17		15	19.82	2.02	19.13	2.08	18.53	2.15	18.19	2.18	17.92	2.21	17.23	2.28
	20		19	21.15	2.06	20.48	2.12	19.79	2.19	19.43	2.23	19.13	2.26	18.41	2.33
	25		23	23.38	2.12	22.69	2.19	21.90	2.27	21.49	2.31	21.16	2.35	20.36	2.41
	30		28	25.64	2.20	24.84	2.27	23.99	2.34	23.55	2.40	23.20	2.44	22.34	2.50
	35		32	27.88	2.28	27.00	2.36	26.08	2.42	25.61	2.48	25.23	2.52	24.32	2.58
	40		36	29.31	2.35	28.48	2.43	27.57	2.50	27.10	2.55	26.71	2.59	25.75	2.66
	45		41	31.08	2.43	30.34	2.51	29.44	2.59	28.96	2.64	28.57	2.67	27.53	2.75
	47		43	31.79	2.46	31.08	2.54	30.19	2.62	29.70	2.67	29.31	2.71	28.24	2.79
	50		46	31.89	2.45	31.24	2.52	30.47	2.59	30.03	2.63	29.67	2.66	28.67	2.73
	55		51	32.04	2.42	31.51	2.48	30.93	2.54	30.57	2.57	30.29	2.59	29.39	2.65
	60		56	32.20	2.39	31.78	2.44	31.39	2.49	31.12	2.50	30.90	2.52	30.11	2.56
	63		59	32.29	2.38	31.94	2.42	31.66	2.45	31.45	2.47	31.27	2.48	30.55	2.51
	68		64	32.38	2.36	32.10	2.39	31.94	2.42	31.78	2.43	31.64	2.43	30.98	2.45

Part 2 Product data Outdoor units

# MULTI ZONE

## 7. Capacity tables

Models : MR36TQY3JMA

### ■ Non ducted type indoor unit

#### Heating capacity

Operation	Combination Capacity Index (kBtu/h)	Outdoor Air Temp.		Indoor Air Temp.: °FDB													
				61		64		68		70		72		75			
				TC	PI	TC	PI	TC	PI	TC	PI	TC	PI	TC	PI		
2 UNIT	12 + 18	°F DB	°F WB	kBtu/h	kW	kBtu/h	kW	kBtu/h	kW	kBtu/h	kW	kBtu/h	kW	kBtu/h	kW		
		-4	-4.4	11.13	1.98	10.43	2.06	10.29	2.08	10.15	2.10	10.04	2.11	9.61	2.19		
		0	-0.4	13.81	2.02	12.97	2.10	12.78	2.13	12.61	2.15	12.46	2.16	11.94	2.24		
		5	4.5	17.08	2.07	16.27	2.15	15.89	2.19	15.63	2.22	15.43	2.24	14.81	2.31		
		10	9	19.26	2.12	18.48	2.19	17.98	2.24	17.66	2.27	17.42	2.30	16.73	2.37		
		17	15	21.67	2.18	20.92	2.25	20.26	2.32	19.89	2.35	19.60	2.39	18.85	2.45		
		20	19	23.13	2.22	22.39	2.28	21.65	2.36	21.24	2.41	20.93	2.44	20.13	2.51		
		25	23	25.58	2.29	24.82	2.36	23.95	2.45	23.50	2.50	23.13	2.54	22.27	2.60		
		30	28	27.92	2.37	27.05	2.45	26.12	2.53	25.64	2.58	25.26	2.63	24.33	2.69		
		35	32	30.98	2.46	30.00	2.55	28.97	2.61	28.45	2.67	28.04	2.72	27.02	2.79		
		40	36	32.56	2.53	31.65	2.62	30.64	2.69	30.11	2.75	29.68	2.79	28.61	2.87		
		45	41	34.53	2.62	33.71	2.71	32.72	2.79	32.17	2.84	31.74	2.88	30.59	2.97		
		47	43	35.32	2.66	34.53	2.74	33.55	2.83	33.00	2.88	32.56	2.92	31.38	3.01		
		50	46	35.43	2.64	34.71	2.72	33.85	2.80	33.36	2.84	32.97	2.87	31.86	2.95		
		55	51	35.60	2.61	35.01	2.68	34.36	2.74	33.97	2.77	33.65	2.80	32.66	2.85		
		60	56	35.77	2.58	35.31	2.63	34.87	2.68	34.58	2.70	34.34	2.72	33.46	2.76		
		63	59	35.88	2.57	35.49	2.61	35.18	2.65	34.94	2.66	34.75	2.67	33.94	2.70		
		68	64	35.98	2.55	35.67	2.58	35.49	2.61	35.31	2.62	35.16	2.63	34.43	2.65		
		18 + 18	-4	-4.4	12.14	2.07	11.38	2.15	11.23	2.18	11.08	2.19	10.95	2.20	10.48	2.29	
			0	-0.4	14.13	2.11	13.37	2.19	13.11	2.23	12.92	2.25	12.76	2.26	12.23	2.34	
			5	4.5	17.13	2.16	16.32	2.24	15.94	2.29	15.68	2.32	15.47	2.34	14.85	2.41	
			10	9	19.32	2.21	18.54	2.29	18.03	2.35	17.71	2.38	17.47	2.40	16.78	2.48	
			17	15	21.79	2.28	21.03	2.35	20.37	2.42	20.00	2.46	19.71	2.49	18.95	2.57	
			20	19	23.78	2.32	23.02	2.39	22.25	2.47	21.84	2.52	21.51	2.55	20.69	2.62	
	25		23	27.11	2.39	26.30	2.46	25.39	2.56	24.91	2.61	24.52	2.65	23.60	2.72		
	30		28	30.45	2.48	29.51	2.56	28.50	2.64	27.97	2.70	27.56	2.75	26.54	2.82		
	35		32	33.80	2.57	32.72	2.66	31.61	2.73	31.04	2.79	30.59	2.84	29.48	2.91		
	40		36	35.52	2.64	34.52	2.74	33.42	2.81	32.84	2.87	32.38	2.92	31.21	3.00		
	45		41	37.67	2.74	36.77	2.83	35.69	2.92	35.10	2.97	34.62	3.01	33.37	3.10		
	47		43	38.54	2.78	37.67	2.87	36.60	2.96	36.00	3.01	35.52	3.05	34.23	3.14		
	50		46	38.65	2.76	37.87	2.84	36.93	2.92	36.40	2.97	35.97	3.00	34.75	3.08		
	55		51	38.84	2.73	38.19	2.80	37.49	2.86	37.06	2.90	36.71	2.92	35.63	2.98		
	60		56	39.03	2.70	38.52	2.75	38.04	2.80	37.72	2.82	37.46	2.84	36.50	2.88		
	63		59	39.14	2.68	38.71	2.73	38.38	2.77	38.12	2.78	37.91	2.79	37.02	2.82		
	68		64	39.25	2.66	38.91	2.70	38.71	2.73	38.52	2.74	38.36	2.74	37.56	2.77		
	3 UNIT		9 + 9 + 9	-4	-4.4	10.12	1.75	9.39	1.82	9.30	1.85	9.20	1.86	9.12	1.87	8.70	1.94
				0	-0.4	12.63	1.79	11.86	1.86	11.69	1.89	11.53	1.90	11.40	1.92	10.91	1.99
				5	4.5	15.62	1.83	14.88	1.90	14.53	1.94	14.30	1.96	14.11	1.98	13.54	2.05
				10	9	17.62	1.87	16.90	1.94	16.43	1.99	16.15	2.01	15.93	2.04	15.30	2.10
				17	15	19.82	1.93	19.13	1.99	18.53	2.05	18.19	2.08	17.92	2.11	17.23	2.17
				20	19	21.15	1.96	20.48	2.02	19.79	2.09	19.43	2.13	19.13	2.16	18.41	2.22
				25	23	23.38	2.03	22.69	2.09	21.90	2.17	21.49	2.21	21.16	2.24	20.36	2.30
		30		28	25.64	2.10	24.84	2.17	23.99	2.24	23.55	2.29	23.20	2.33	22.34	2.39	
		35		32	27.88	2.18	27.00	2.25	26.08	2.31	25.61	2.37	25.23	2.41	24.32	2.47	
		40		36	29.31	2.24	28.48	2.32	27.57	2.38	27.10	2.43	26.71	2.47	25.75	2.54	
		45		41	31.08	2.32	30.34	2.40	29.44	2.47	28.96	2.52	28.57	2.55	27.53	2.63	
		47		43	31.79	2.35	31.08	2.43	30.19	2.51	29.70	2.55	29.31	2.58	28.24	2.66	
		50		46	31.89	2.34	31.24	2.41	30.47	2.48	30.03	2.51	29.67	2.54	28.67	2.61	
55		51		32.04	2.31	31.51	2.37	30.93	2.43	30.57	2.45	30.29	2.47	29.39	2.53		
60		56		32.20	2.29	31.78	2.33	31.39	2.37	31.12	2.39	30.90	2.41	30.11	2.44		
63		59		32.29	2.27	31.94	2.31	31.66	2.34	31.45	2.36	31.27	2.36	30.55	2.39		
68		64		32.38	2.26	32.10	2.29	31.94	2.31	31.78	2.32	31.64	2.32	30.98	2.34		
9 + 9 + 12		-4		-4.4	11.13	1.86	10.43	1.94	10.29	1.96	10.15	1.97	10.04	1.98	9.61	2.06	
		0		-0.4	13.81	1.90	12.97	1.97	12.78	2.01	12.61	2.02	12.46	2.04	11.94	2.11	
		5		4.5	17.08	1.95	16.27	2.02	15.89	2.06	15.63	2.08	15.43	2.10	14.81	2.17	
		10		9	19.26	1.99	18.48	2.06	17.98	2.11	17.66	2.14	17.42	2.16	16.73	2.23	
		17		15	21.67	2.05	20.92	2.11	20.26	2.18	19.89	2.22	19.60	2.24	18.85	2.31	
		20		19	23.13	2.09	22.39	2.15	21.65	2.22	21.24	2.27	20.93	2.30	20.13	2.36	
		25		23	25.58	2.16	24.82	2.22	23.95	2.30	23.50	2.35	23.13	2.39	22.27	2.45	
		30	28	27.92	2.23	27.05	2.31	26.12	2.38	25.64	2.43	25.26	2.47	24.33	2.54		
		35	32	30.98	2.31	30.00	2.40	28.97	2.46	28.45	2.51	28.04	2.56	27.02	2.62		
		40	36	32.56	2.38	31.65	2.46	30.64	2.53	30.11	2.59	29.68	2.63	28.61	2.70		
		45	41	34.53	2.47	33.71	2.55	32.72	2.63	32.17	2.67	31.74	2.71	30.59	2.79		
		47	43	35.32	2.50	34.53	2.58	33.55	2.66	33.00	2.71	32.56	2.75	31.38	2.83		
		50	46	35.43	2.48	34.71	2.56	33.85	2.63	33.36	2.67	32.97	2.70	31.86	2.78		
		55	51	35.60	2.46	35.01	2.52	34.36	2.58	33.97	2.61	33.65	2.63	32.66	2.69		
		60	56	35.77	2.43	35.31	2.48	34.87	2.52	34.58	2.54	34.34	2.56	33.46	2.60		
		63	59	35.88	2.41	35.49	2.45	35.18	2.49	34.94	2.50	34.75	2.51	33.94	2.54		
		68	64	35.98	2.40	35.67	2.43	35.49	2.46	35.31	2.47	35.16	2.47	34.43	2.49		

Part 2 Product data\_ Outdoor units

# MULTI ZONE

## 7. Capacity tables

Models : MR36TQY3JMA

### ■ Non ducted type indoor unit

#### Heating capacity

Operation	Combination Capacity Index (kBtu/h)	Outdoor Air Temp.		Indoor Air Temp.: °FDB											
				61		64		68		70		72		75	
		°F DB	°F WB	kBtu/h	kW	kBtu/h	kW	kBtu/h	kW	kBtu/h	kW	kBtu/h	kW	kBtu/h	kW
9 + 12 + 12		-4	-4.4	12.14	1.95	11.38	2.02	11.23	2.05	11.08	2.06	10.95	2.07	10.48	2.15
		0	-0.4	14.13	1.99	13.37	2.06	13.11	2.09	12.92	2.11	12.76	2.13	12.23	2.20
		5	4.5	17.11	2.03	16.29	2.11	15.92	2.15	15.65	2.18	15.45	2.20	14.83	2.27
		10	9	19.29	2.08	18.51	2.15	18.00	2.21	17.69	2.24	17.44	2.26	16.75	2.33
		17	15	21.79	2.14	21.03	2.21	20.37	2.28	20.00	2.31	19.71	2.34	18.95	2.41
		20	19	23.78	2.18	23.02	2.25	22.25	2.32	21.84	2.37	21.51	2.40	20.69	2.47
		25	23	27.11	2.25	26.30	2.32	25.39	2.40	24.91	2.45	24.52	2.49	23.60	2.56
		30	28	30.45	2.33	29.51	2.41	28.50	2.48	27.97	2.54	27.56	2.58	26.54	2.65
		35	32	33.80	2.42	32.72	2.50	31.61	2.57	31.04	2.63	30.59	2.67	29.48	2.74
		40	36	35.52	2.49	34.52	2.57	33.42	2.64	32.84	2.70	32.38	2.74	31.21	2.82
9 + 9 + 18		45	41	37.67	2.57	36.77	2.66	35.69	2.74	35.10	2.79	34.62	2.83	33.37	2.92
		47	43	38.54	2.61	37.67	2.70	36.60	2.78	36.00	2.83	35.52	2.87	34.23	2.95
		50	46	38.65	2.59	37.87	2.67	36.93	2.75	36.40	2.79	35.97	2.82	34.75	2.90
		55	51	38.84	2.57	38.19	2.63	37.49	2.69	37.06	2.72	36.71	2.75	35.63	2.81
		60	56	39.03	2.54	38.52	2.59	38.04	2.63	37.72	2.65	37.46	2.67	36.50	2.71
		63	59	39.14	2.52	38.71	2.56	38.38	2.60	38.12	2.61	37.91	2.62	37.02	2.66
		68	64	39.25	2.51	38.91	2.54	38.71	2.57	38.52	2.57	38.36	2.58	37.56	2.60
		-4	-4.4	12.14	1.95	11.38	2.02	11.23	2.05	11.08	2.06	10.95	2.07	10.48	2.15
		0	-0.4	14.13	1.99	13.37	2.06	13.11	2.09	12.92	2.11	12.76	2.13	12.23	2.20
		5	4.5	17.13	2.03	16.32	2.11	15.94	2.15	15.68	2.18	15.47	2.20	14.85	2.27
12 + 12 + 12		10	9	19.32	2.08	18.54	2.15	18.03	2.21	17.71	2.24	17.47	2.26	16.78	2.33
		17	15	21.79	2.14	21.03	2.21	20.37	2.28	20.00	2.31	19.71	2.34	18.95	2.41
		20	19	23.78	2.18	23.02	2.25	22.25	2.32	21.84	2.37	21.51	2.40	20.69	2.47
		25	23	27.11	2.25	26.30	2.32	25.39	2.40	24.91	2.45	24.52	2.49	23.60	2.56
		30	28	30.45	2.33	29.51	2.41	28.50	2.48	27.97	2.54	27.56	2.58	26.54	2.65
		35	32	33.80	2.42	32.72	2.50	31.61	2.57	31.04	2.63	30.59	2.67	29.48	2.74
		40	36	35.52	2.49	34.52	2.57	33.42	2.64	32.84	2.70	32.38	2.74	31.21	2.82
		45	41	37.67	2.57	36.77	2.66	35.69	2.74	35.10	2.79	34.62	2.83	33.37	2.92
		47	43	38.54	2.61	37.67	2.70	36.60	2.78	36.00	2.83	35.52	2.87	34.23	2.95
		50	46	38.65	2.59	37.87	2.67	36.93	2.75	36.40	2.79	35.97	2.82	34.75	2.90
9 + 12 + 18		55	51	38.84	2.57	38.19	2.63	37.49	2.69	37.06	2.72	36.71	2.75	35.63	2.81
		60	56	39.03	2.54	38.52	2.59	38.04	2.63	37.72	2.65	37.46	2.67	36.50	2.71
		63	59	39.14	2.52	38.71	2.56	38.38	2.60	38.12	2.61	37.91	2.62	37.02	2.66
		68	64	39.25	2.51	38.91	2.54	38.71	2.57	38.52	2.57	38.36	2.58	37.56	2.60
		-4	-4.4	12.14	1.95	11.38	2.02	11.23	2.05	11.08	2.06	10.95	2.07	10.48	2.15
		0	-0.4	14.13	1.99	13.37	2.06	13.11	2.09	12.92	2.11	12.76	2.13	12.23	2.20
		5	4.5	17.16	2.03	16.34	2.11	15.97	2.15	15.70	2.18	15.50	2.20	14.87	2.27
		10	9	19.35	2.08	18.57	2.15	18.06	2.21	17.74	2.24	17.49	2.26	16.80	2.33
		17	15	21.79	2.14	21.03	2.21	20.37	2.28	20.00	2.31	19.71	2.34	18.95	2.41
		20	19	23.78	2.18	23.02	2.25	22.25	2.32	21.84	2.37	21.51	2.40	20.69	2.47
9 + 12 + 18		25	23	27.11	2.25	26.30	2.32	25.39	2.40	24.91	2.45	24.52	2.49	23.60	2.56
		30	28	30.45	2.33	29.51	2.41	28.50	2.48	27.97	2.54	27.56	2.58	26.54	2.65
		35	32	33.80	2.42	32.72	2.50	31.61	2.57	31.04	2.63	30.59	2.67	29.48	2.74
		40	36	35.52	2.49	34.52	2.57	33.42	2.64	32.84	2.70	32.38	2.74	31.21	2.82
		45	41	37.67	2.57	36.77	2.66	35.69	2.74	35.10	2.79	34.62	2.83	33.37	2.92
		47	43	38.54	2.61	37.67	2.70	36.60	2.78	36.00	2.83	35.52	2.87	34.23	2.95
		50	46	38.65	2.59	37.87	2.67	36.93	2.75	36.40	2.79	35.97	2.82	34.75	2.90
		55	51	38.84	2.57	38.19	2.63	37.49	2.69	37.06	2.72	36.71	2.75	35.63	2.81
		60	56	39.03	2.54	38.52	2.59	38.04	2.63	37.72	2.65	37.46	2.67	36.50	2.71
		63	59	39.14	2.52	38.71	2.56	38.38	2.60	38.12	2.61	37.91	2.62	37.02	2.66
68	64	39.25	2.51	38.91	2.54	38.71	2.57	38.52	2.57	38.36	2.58	37.56	2.60		

# MULTI ZONE

## 7. Capacity tables

Models : MR36TQY3JMA

### ■ Non ducted type indoor unit

#### Heating capacity

Operation	Combination Capacity Index (kBtu/h)	Outdoor Air Temp.		Indoor Air Temp.: °FDB											
				61		64		68		70		72		75	
				TC	PI	TC	PI	TC	PI	TC	PI	TC	PI	TC	PI
		°F DB	°F WB	kBtu/h	kW	kBtu/h	kW	kBtu/h	kW	kBtu/h	kW	kBtu/h	kW	kBtu/h	kW
12 + 12 + 18		-4	-4.4	12.14	1.95	11.38	2.02	11.23	2.05	11.08	2.06	10.95	2.07	10.48	2.15
		0	-0.4	14.13	1.99	13.37	2.06	13.11	2.09	12.92	2.11	12.76	2.13	12.23	2.20
		5	4.5	17.17	2.03	16.35	2.11	15.97	2.15	15.71	2.18	15.50	2.20	14.88	2.27
		10	9	19.36	2.08	18.57	2.15	18.06	2.21	17.75	2.24	17.50	2.26	16.81	2.33
		17	15	21.79	2.14	21.03	2.21	20.37	2.28	20.00	2.31	19.71	2.34	18.95	2.41
		20	19	23.78	2.18	23.02	2.25	22.25	2.32	21.84	2.37	21.51	2.40	20.69	2.47
		25	23	27.11	2.25	26.30	2.32	25.39	2.40	24.91	2.45	24.52	2.49	23.60	2.56
		30	28	30.45	2.33	29.51	2.41	28.50	2.48	27.97	2.54	27.56	2.58	26.54	2.65
		35	32	33.80	2.42	32.72	2.50	31.61	2.57	31.04	2.63	30.59	2.67	29.48	2.74
		40	36	35.52	2.49	34.52	2.57	33.42	2.64	32.84	2.70	32.38	2.74	31.21	2.82
		45	41	37.67	2.57	36.77	2.66	35.69	2.74	35.10	2.79	34.62	2.83	33.37	2.92
		47	43	38.54	2.61	37.67	2.70	36.60	2.78	36.00	2.83	35.52	2.87	34.23	2.95
		50	46	38.65	2.59	37.87	2.67	36.93	2.75	36.40	2.79	35.97	2.82	34.75	2.90
		55	51	38.84	2.57	38.19	2.63	37.49	2.69	37.06	2.72	36.71	2.75	35.63	2.81
		60	56	39.03	2.54	38.52	2.59	38.04	2.63	37.72	2.65	37.46	2.67	36.50	2.71
		63	59	39.14	2.52	38.71	2.56	38.38	2.60	38.12	2.61	37.91	2.62	37.02	2.66
		68	64	39.25	2.51	38.91	2.54	38.71	2.57	38.52	2.57	38.36	2.58	37.56	2.60
		9 + 18 + 18		-4	-4.4	12.14	1.95	11.38	2.02	11.23	2.05	11.08	2.06	10.95	2.07
0	-0.4			14.13	1.99	13.37	2.06	13.11	2.09	12.92	2.11	12.76	2.13	12.23	2.20
5	4.5			17.17	2.03	16.35	2.11	15.97	2.15	15.71	2.18	15.50	2.20	14.88	2.27
10	9			19.36	2.08	18.57	2.15	18.06	2.21	17.75	2.24	17.50	2.26	16.81	2.33
17	15			21.79	2.14	21.03	2.21	20.37	2.28	20.00	2.31	19.71	2.34	18.95	2.41
20	19			23.78	2.18	23.02	2.25	22.25	2.32	21.84	2.37	21.51	2.40	20.69	2.47
25	23			27.11	2.25	26.30	2.32	25.39	2.40	24.91	2.45	24.52	2.49	23.60	2.56
30	28			30.45	2.33	29.51	2.41	28.50	2.48	27.97	2.54	27.56	2.58	26.54	2.65
35	32			33.80	2.42	32.72	2.50	31.61	2.57	31.04	2.63	30.59	2.67	29.48	2.74
40	36			35.52	2.49	34.52	2.57	33.42	2.64	32.84	2.70	32.38	2.74	31.21	2.82
45	41			37.67	2.57	36.77	2.66	35.69	2.74	35.10	2.79	34.62	2.83	33.37	2.92
47	43			38.54	2.61	37.67	2.70	36.60	2.78	36.00	2.83	35.52	2.87	34.23	2.95
50	46			38.65	2.59	37.87	2.67	36.93	2.75	36.40	2.79	35.97	2.82	34.75	2.90
55	51			38.84	2.57	38.19	2.63	37.49	2.69	37.06	2.72	36.71	2.75	35.63	2.81
60	56			39.03	2.54	38.52	2.59	38.04	2.63	37.72	2.65	37.46	2.67	36.50	2.71
63	59			39.14	2.52	38.71	2.56	38.38	2.60	38.12	2.61	37.91	2.62	37.02	2.66
68	64			39.25	2.51	38.91	2.54	38.71	2.57	38.52	2.57	38.36	2.58	37.56	2.60
12 + 18 + 18				-4	-4.4	12.14	1.95	11.38	2.02	11.23	2.05	11.08	2.06	10.95	2.07
		0	-0.4	14.13	1.99	13.37	2.06	13.11	2.09	12.92	2.11	12.76	2.13	12.23	2.20
		5	4.5	17.17	2.03	16.35	2.11	15.97	2.15	15.71	2.18	15.50	2.20	14.88	2.27
		10	9	19.36	2.08	18.57	2.15	18.06	2.21	17.75	2.24	17.50	2.26	16.81	2.33
		17	15	21.79	2.14	21.03	2.21	20.37	2.28	20.00	2.31	19.71	2.34	18.95	2.41
		20	19	23.78	2.18	23.02	2.25	22.25	2.32	21.84	2.37	21.51	2.40	20.69	2.47
		25	23	27.11	2.25	26.30	2.32	25.39	2.40	24.91	2.45	24.52	2.49	23.60	2.56
		30	28	30.45	2.33	29.51	2.41	28.50	2.48	27.97	2.54	27.56	2.58	26.54	2.65
		35	32	33.80	2.42	32.72	2.50	31.61	2.57	31.04	2.63	30.59	2.67	29.48	2.74
		40	36	35.52	2.49	34.52	2.57	33.42	2.64	32.84	2.70	32.38	2.74	31.21	2.82
		45	41	37.67	2.57	36.77	2.66	35.69	2.74	35.10	2.79	34.62	2.83	33.37	2.92
		47	43	38.54	2.61	37.67	2.70	36.60	2.78	36.00	2.83	35.52	2.87	34.23	2.95
		50	46	38.65	2.59	37.87	2.67	36.93	2.75	36.40	2.79	35.97	2.82	34.75	2.90
		55	51	38.84	2.57	38.19	2.63	37.49	2.69	37.06	2.72	36.71	2.75	35.63	2.81
		60	56	39.03	2.54	38.52	2.59	38.04	2.63	37.72	2.65	37.46	2.67	36.50	2.71
		63	59	39.14	2.52	38.71	2.56	38.38	2.60	38.12	2.61	37.91	2.62	37.02	2.66
		68	64	39.25	2.51	38.91	2.54	38.71	2.57	38.52	2.57	38.36	2.58	37.56	2.60
		9 + 9 + 9 + 9		-4	-4.4	12.14	1.88	11.38	1.96	11.23	1.98	11.08	2.00	10.95	2.01
0	-0.4			14.13	1.92	13.37	2.00	13.11	2.03	12.92	2.05	12.76	2.06	12.23	2.13
5	4.5			17.13	1.97	16.32	2.04	15.94	2.08	15.68	2.11	15.47	2.13	14.85	2.20
10	9			19.32	2.01	18.54	2.08	18.03	2.14	17.71	2.16	17.47	2.19	16.78	2.26
17	15			21.79	2.07	21.03	2.14	20.37	2.20	20.00	2.24	19.71	2.27	18.95	2.34
20	19			23.78	2.11	23.02	2.17	22.25	2.25	21.84	2.29	21.51	2.32	20.69	2.39
25	23			27.11	2.18	26.30	2.24	25.39	2.33	24.91	2.37	24.52	2.41	23.60	2.48
30	28			30.45	2.26	29.51	2.33	28.50	2.41	27.97	2.46	27.56	2.50	26.54	2.56
35	32			33.80	2.34	32.72	2.42	31.61	2.48	31.04	2.54	30.59	2.59	29.48	2.65
40	36			35.52	2.41	34.52	2.49	33.42	2.56	32.84	2.61	32.38	2.66	31.21	2.73
45	41			37.67	2.49	36.77	2.58	35.69	2.66	35.10	2.70	34.62	2.74	33.37	2.82
47	43			38.54	2.53	37.67	2.61	36.60	2.69	36.00	2.74	35.52	2.78	34.23	2.86
50	46			38.65	2.51	37.87	2.59	36.93	2.66	36.40	2.70	35.97	2.73	34.75	2.81
55	51			38.84	2.48	38.19	2.55	37.49	2.61	37.06	2.64	36.71	2.66	35.63	2.72
60	56			39.03	2.46	38.52	2.51	38.04	2.55	37.72	2.57	37.46	2.59	36.50	2.63
63	59			39.14	2.44	38.71	2.48	38.38	2.52	38.12	2.53	37.91	2.54	37.02	2.57
68	64			39.25	2.43	38.91	2.46	38.71	2.49	38.52	2.49	38.36	2.50	37.56	2.52

Part 2 Product data\_ Outdoor units

# MULTI ZONE

## 7. Capacity tables

Models : MR36TQY3JMA

### ■ Non ducted type indoor unit

#### Heating capacity

Operation	Combination Capacity Index (kBtu/h)	Outdoor Air Temp.		Indoor Air Temp.: °FDB											
				61		64		68		70		72		75	
		°F DB	°F WB	kBtu/h	kW	kBtu/h	kW	kBtu/h	kW	kBtu/h	kW	kBtu/h	kW	kBtu/h	kW
4 UNIT	9+9+9+12	-4	-4.4	12.14	1.88	11.38	1.96	11.23	1.98	11.08	2.00	10.95	2.01	10.48	2.08
		0	-0.4	14.13	1.92	13.37	2.00	13.11	2.03	12.92	2.05	12.76	2.06	12.23	2.13
		5	4.5	17.16	1.97	16.34	2.04	15.97	2.08	15.70	2.11	15.50	2.13	14.87	2.20
		10	9	19.35	2.01	18.57	2.08	18.06	2.14	17.74	2.16	17.49	2.19	16.80	2.26
		17	15	21.79	2.07	21.03	2.14	20.37	2.20	20.00	2.24	19.71	2.27	18.95	2.34
		20	19	23.78	2.11	23.02	2.17	22.25	2.25	21.84	2.29	21.51	2.32	20.69	2.39
		25	23	27.11	2.18	26.30	2.24	25.39	2.33	24.91	2.37	24.52	2.41	23.60	2.48
		30	28	30.45	2.26	29.51	2.33	28.50	2.41	27.97	2.46	27.56	2.50	26.54	2.56
		35	32	33.80	2.34	32.72	2.42	31.61	2.48	31.04	2.54	30.59	2.59	29.48	2.65
		40	36	35.52	2.41	34.52	2.49	33.42	2.56	32.84	2.61	32.38	2.66	31.21	2.73
		45	41	37.67	2.49	36.77	2.58	35.69	2.66	35.10	2.70	34.62	2.74	33.37	2.82
		47	43	38.54	2.53	37.67	2.61	36.60	2.69	36.00	2.74	35.52	2.78	34.23	2.86
		50	46	38.65	2.51	37.87	2.59	36.93	2.66	36.40	2.70	35.97	2.73	34.75	2.81
		55	51	38.84	2.48	38.19	2.55	37.49	2.61	37.06	2.64	36.71	2.66	35.63	2.72
		60	56	39.03	2.46	38.52	2.51	38.04	2.55	37.72	2.57	37.46	2.59	36.50	2.63
		63	59	39.14	2.44	38.71	2.48	38.38	2.52	38.12	2.53	37.91	2.54	37.02	2.57
		68	64	39.25	2.43	38.91	2.46	38.71	2.49	38.52	2.49	38.36	2.50	37.56	2.52
		9+9+12+12	-4	-4.4	12.14	1.88	11.38	1.96	11.23	1.98	11.08	2.00	10.95	2.01	10.48
	0		-0.4	14.13	1.92	13.37	2.00	13.11	2.03	12.92	2.05	12.76	2.06	12.23	2.13
	5		4.5	17.17	1.97	16.35	2.04	15.97	2.08	15.71	2.11	15.50	2.13	14.88	2.20
	10		9	19.36	2.01	18.57	2.08	18.06	2.14	17.75	2.16	17.50	2.19	16.81	2.26
	17		15	21.79	2.07	21.03	2.14	20.37	2.20	20.00	2.24	19.71	2.27	18.95	2.34
	20		19	23.78	2.11	23.02	2.17	22.25	2.25	21.84	2.29	21.51	2.32	20.69	2.39
	25		23	27.11	2.18	26.30	2.24	25.39	2.33	24.91	2.37	24.52	2.41	23.60	2.48
	30		28	30.45	2.26	29.51	2.33	28.50	2.41	27.97	2.46	27.56	2.50	26.54	2.56
	35		32	33.80	2.34	32.72	2.42	31.61	2.48	31.04	2.54	30.59	2.59	29.48	2.65
	40		36	35.52	2.41	34.52	2.49	33.42	2.56	32.84	2.61	32.38	2.66	31.21	2.73
	45		41	37.67	2.49	36.77	2.58	35.69	2.66	35.10	2.70	34.62	2.74	33.37	2.82
	47		43	38.54	2.53	37.67	2.61	36.60	2.69	36.00	2.74	35.52	2.78	34.23	2.86
	50		46	38.65	2.51	37.87	2.59	36.93	2.66	36.40	2.70	35.97	2.73	34.75	2.81
	55		51	38.84	2.48	38.19	2.55	37.49	2.61	37.06	2.64	36.71	2.66	35.63	2.72
	60		56	39.03	2.46	38.52	2.51	38.04	2.55	37.72	2.57	37.46	2.59	36.50	2.63
	63		59	39.14	2.44	38.71	2.48	38.38	2.52	38.12	2.53	37.91	2.54	37.02	2.57
	68		64	39.25	2.43	38.91	2.46	38.71	2.49	38.52	2.49	38.36	2.50	37.56	2.52
	9+9+9+18		-4	-4.4	12.14	1.88	11.38	1.96	11.23	1.98	11.08	2.00	10.95	2.01	10.48
		0	-0.4	14.13	1.92	13.37	2.00	13.11	2.03	12.92	2.05	12.76	2.06	12.23	2.13
		5	4.5	17.17	1.97	16.35	2.04	15.97	2.08	15.71	2.11	15.50	2.13	14.88	2.20
		10	9	19.36	2.01	18.57	2.08	18.06	2.14	17.75	2.16	17.50	2.19	16.81	2.26
		17	15	21.79	2.07	21.03	2.14	20.37	2.20	20.00	2.24	19.71	2.27	18.95	2.34
		20	19	23.78	2.11	23.02	2.17	22.25	2.25	21.84	2.29	21.51	2.32	20.69	2.39
		25	23	27.11	2.18	26.30	2.24	25.39	2.33	24.91	2.37	24.52	2.41	23.60	2.48
		30	28	30.45	2.26	29.51	2.33	28.50	2.41	27.97	2.46	27.56	2.50	26.54	2.56
		35	32	33.80	2.34	32.72	2.42	31.61	2.48	31.04	2.54	30.59	2.59	29.48	2.65
		40	36	35.52	2.41	34.52	2.49	33.42	2.56	32.84	2.61	32.38	2.66	31.21	2.73
		45	41	37.67	2.49	36.77	2.58	35.69	2.66	35.10	2.70	34.62	2.74	33.37	2.82
		47	43	38.54	2.53	37.67	2.61	36.60	2.69	36.00	2.74	35.52	2.78	34.23	2.86
		50	46	38.65	2.51	37.87	2.59	36.93	2.66	36.40	2.70	35.97	2.73	34.75	2.81
		55	51	38.84	2.48	38.19	2.55	37.49	2.61	37.06	2.64	36.71	2.66	35.63	2.72
60		56	39.03	2.46	38.52	2.51	38.04	2.55	37.72	2.57	37.46	2.59	36.50	2.63	
63		59	39.14	2.44	38.71	2.48	38.38	2.52	38.12	2.53	37.91	2.54	37.02	2.57	
68		64	39.25	2.43	38.91	2.46	38.71	2.49	38.52	2.49	38.36	2.50	37.56	2.52	
9+12+12+12		-4	-4.4	12.14	1.88	11.38	1.96	11.23	1.98	11.08	2.00	10.95	2.01	10.48	2.08
	0	-0.4	14.13	1.92	13.37	2.00	13.11	2.03	12.92	2.05	12.76	2.06	12.23	2.13	
	5	4.5	17.17	1.97	16.35	2.04	15.97	2.08	15.71	2.11	15.50	2.13	14.88	2.20	
	10	9	19.36	2.01	18.57	2.08	18.06	2.14	17.75	2.16	17.50	2.19	16.81	2.26	
	17	15	21.79	2.07	21.03	2.14	20.37	2.20	20.00	2.24	19.71	2.27	18.95	2.34	
	20	19	23.78	2.11	23.02	2.17	22.25	2.25	21.84	2.29	21.51	2.32	20.69	2.39	
	25	23	27.11	2.18	26.30	2.24	25.39	2.33	24.91	2.37	24.52	2.41	23.60	2.48	
	30	28	30.45	2.26	29.51	2.33	28.50	2.41	27.97	2.46	27.56	2.50	26.54	2.56	
	35	32	33.80	2.34	32.72	2.42	31.61	2.48	31.04	2.54	30.59	2.59	29.48	2.65	
	40	36	35.52	2.41	34.52	2.49	33.42	2.56	32.84	2.61	32.38	2.66	31.21	2.73	
	45	41	37.67	2.49	36.77	2.58	35.69	2.66	35.10	2.70	34.62	2.74	33.37	2.82	
	47	43	38.54	2.53	37.67	2.61	36.60	2.69	36.00	2.74	35.52	2.78	34.23	2.86	
	50	46	38.65	2.51	37.87	2.59	36.93	2.66	36.40	2.70	35.97	2.73	34.75	2.81	
	55	51	38.84	2.48	38.19	2.55	37.49	2.61	37.06	2.64	36.71	2.66	35.63	2.72	
	60	56	39.03	2.46	38.52	2.51	38.04	2.55	37.72	2.57	37.46	2.59	36.50	2.63	
	63	59	39.14	2.44	38.71	2.48	38.38	2.52	38.12	2.53	37.91	2.54	37.02	2.57	
	68	64	39.25	2.43	38.91	2.46	38.71	2.49	38.52	2.49	38.36	2.50	37.56	2.52	

Part 2 Product data Outdoor units

# MULTI ZONE

## 7. Capacity tables

Models : MR36TQY3JMA

### ■ Non ducted type indoor unit

#### Heating capacity

Operation	Combination Capacity Index (kBtu/h)	Outdoor Air Temp.		Indoor Air Temp.: °FDB											
				61		64		68		70		72		75	
		°F DB	°F WB	kBtu/h	kW	kBtu/h	kW	kBtu/h	kW	kBtu/h	kW	kBtu/h	kW	kBtu/h	kW
4 UNIT	9+9+12+18	-4	-4.4	12.14	1.88	11.38	1.96	11.23	1.98	11.08	2.00	10.95	2.01	10.48	2.08
		0	-0.4	14.13	1.92	13.37	2.00	13.11	2.03	12.92	2.05	12.76	2.06	12.23	2.13
		5	4.5	17.17	1.97	16.35	2.04	15.97	2.08	15.71	2.11	15.50	2.13	14.88	2.20
		10	9	19.36	2.01	18.57	2.08	18.06	2.14	17.75	2.16	17.50	2.19	16.81	2.26
		17	15	21.79	2.07	21.03	2.14	20.37	2.20	20.00	2.24	19.71	2.27	18.95	2.34
		20	19	23.78	2.11	23.02	2.17	22.25	2.25	21.84	2.29	21.51	2.32	20.69	2.39
		25	23	27.11	2.18	26.30	2.24	25.39	2.33	24.91	2.37	24.52	2.41	23.60	2.48
		30	28	30.45	2.26	29.51	2.33	28.50	2.41	27.97	2.46	27.56	2.50	26.54	2.56
		35	32	33.80	2.34	32.72	2.42	31.61	2.48	31.04	2.54	30.59	2.59	29.48	2.65
		40	36	35.52	2.41	34.52	2.49	33.42	2.56	32.84	2.61	32.38	2.66	31.21	2.73
		45	41	37.67	2.49	36.77	2.58	35.69	2.66	35.10	2.70	34.62	2.74	33.37	2.82
		47	43	38.54	2.53	37.67	2.61	36.60	2.69	36.00	2.74	35.52	2.78	34.23	2.86
		50	46	38.65	2.51	37.87	2.59	36.93	2.66	36.40	2.70	35.97	2.73	34.75	2.81
		55	51	38.84	2.48	38.19	2.55	37.49	2.61	37.06	2.64	36.71	2.66	35.63	2.72
		60	56	39.03	2.46	38.52	2.51	38.04	2.55	37.72	2.57	37.46	2.59	36.50	2.63
		63	59	39.14	2.44	38.71	2.48	38.38	2.52	38.12	2.53	37.91	2.54	37.02	2.57
	68	64	39.25	2.43	38.91	2.46	38.71	2.49	38.52	2.49	38.36	2.50	37.56	2.52	
	12+12+12+12	-4	-4.4	12.14	1.88	11.38	1.96	11.23	1.98	11.08	2.00	10.95	2.01	10.48	2.08
		0	-0.4	14.13	1.92	13.37	2.00	13.11	2.03	12.92	2.05	12.76	2.06	12.23	2.13
		5	4.5	17.17	1.97	16.35	2.04	15.97	2.08	15.71	2.11	15.50	2.13	14.88	2.20
		10	9	19.36	2.01	18.57	2.08	18.06	2.14	17.75	2.16	17.50	2.19	16.81	2.26
		17	15	21.79	2.07	21.03	2.14	20.37	2.20	20.00	2.24	19.71	2.27	18.95	2.34
		20	19	23.78	2.11	23.02	2.17	22.25	2.25	21.84	2.29	21.51	2.32	20.69	2.39
		25	23	27.11	2.18	26.30	2.24	25.39	2.33	24.91	2.37	24.52	2.41	23.60	2.48
		30	28	30.45	2.26	29.51	2.33	28.50	2.41	27.97	2.46	27.56	2.50	26.54	2.56
		35	32	33.80	2.34	32.72	2.42	31.61	2.48	31.04	2.54	30.59	2.59	29.48	2.65
		40	36	35.52	2.41	34.52	2.49	33.42	2.56	32.84	2.61	32.38	2.66	31.21	2.73
		45	41	37.67	2.49	36.77	2.58	35.69	2.66	35.10	2.70	34.62	2.74	33.37	2.82
		47	43	38.54	2.53	37.67	2.61	36.60	2.69	36.00	2.74	35.52	2.78	34.23	2.86
		50	46	38.65	2.51	37.87	2.59	36.93	2.66	36.40	2.70	35.97	2.73	34.75	2.81
		55	51	38.84	2.48	38.19	2.55	37.49	2.61	37.06	2.64	36.71	2.66	35.63	2.72
		60	56	39.03	2.46	38.52	2.51	38.04	2.55	37.72	2.57	37.46	2.59	36.50	2.63
63		59	39.14	2.44	38.71	2.48	38.38	2.52	38.12	2.53	37.91	2.54	37.02	2.57	
68	64	39.25	2.43	38.91	2.46	38.71	2.49	38.52	2.49	38.36	2.50	37.56	2.52		

#### Notes:

- Capacities are based on the following conditions.  
Corresponding refrigerant piping length : 25ft  
Level difference : 0ft
- TC : Total Capacity (kBtu/h)  
PI : Power Input (kW)

# MULTI ZONE

## 7. Capacity tables

Models : MR36TQY3JMA

### ■ Ducted type indoor unit

#### Cooling capacity

Operation	Combination Capacity Index	Outdoor Air Temp.: °FDB	Indoor Air Temp. °F DB / °F WB											
			68 / 57		73 / 61		77 / 64		80 / 67		86 / 72		90 / 75	
			TC	PI	TC	PI	TC	PI	TC	PI	TC	PI	TC	PI
			kBtu/h	kW	kBtu/h	kW	kBtu/h	kW	kBtu/h	kW	kBtu/h	kW	kBtu/h	kW
2 UNITS	9 + 9	14	15.44	1.11	16.40	1.15	17.36	1.20	18.05	1.21	19.28	1.23	20.23	1.26
		20	15.43	1.13	16.39	1.17	17.34	1.21	18.04	1.23	19.26	1.25	20.22	1.28
		25	15.42	1.15	16.37	1.19	17.33	1.23	18.02	1.24	19.25	1.27	20.20	1.29
		30	15.40	1.16	16.36	1.20	17.32	1.25	18.01	1.26	19.23	1.29	20.19	1.31
		35	15.39	1.18	16.35	1.22	17.30	1.26	17.99	1.28	19.22	1.30	20.17	1.33
		40	15.38	1.19	16.34	1.24	17.29	1.28	17.98	1.30	19.20	1.32	20.16	1.35
		45	15.37	1.21	16.32	1.25	17.28	1.30	17.97	1.31	19.19	1.34	20.14	1.37
		50	15.36	1.23	16.31	1.27	17.26	1.32	17.95	1.33	19.17	1.36	20.13	1.38
		55	15.35	1.24	16.30	1.29	17.25	1.33	17.94	1.35	19.16	1.37	20.11	1.40
		60	15.33	1.26	16.29	1.30	17.24	1.35	17.93	1.37	19.14	1.39	20.10	1.42
		65	15.32	1.27	16.27	1.32	17.23	1.37	17.91	1.38	19.13	1.41	20.08	1.44
		70	15.31	1.29	16.26	1.34	17.21	1.39	17.90	1.40	19.11	1.43	20.06	1.46
		75	14.94	1.36	15.89	1.41	16.84	1.46	17.52	1.48	18.74	1.50	19.68	1.53
		80	14.57	1.43	15.52	1.48	16.47	1.53	17.15	1.55	18.36	1.58	19.30	1.61
		85	14.21	1.50	15.15	1.55	16.10	1.61	16.78	1.63	17.98	1.66	18.93	1.69
		90	13.84	1.57	14.78	1.62	15.73	1.68	16.41	1.70	17.61	1.74	18.55	1.77
		95	13.45	1.64	14.38	1.70	15.32	1.76	15.75	1.78	17.19	1.81	18.13	1.85
		100	13.12	1.71	14.06	1.77	14.99	1.83	15.55	1.85	16.87	1.89	17.80	1.93
		105	12.79	1.78	13.73	1.84	14.67	1.91	15.34	1.93	16.54	1.97	17.48	2.01
		110	12.46	1.85	13.40	1.91	14.34	1.98	15.01	2.01	16.21	2.04	17.15	2.08
		115	12.14	1.92	13.07	1.99	14.01	2.06	14.69	2.08	15.88	2.12	16.82	2.16
		118	11.94	1.96	12.88	2.03	13.81	2.10	14.49	2.13	15.69	2.17	16.62	2.21
		122	11.87	2.01	12.81	2.09	13.75	2.16	14.43	2.19	15.62	2.23	16.56	2.27
		14	18.01	1.28	19.13	1.32	20.25	1.37	21.06	1.39	22.49	1.41	23.61	1.44
	20	18.00	1.29	19.12	1.34	20.23	1.39	21.04	1.41	22.47	1.43	23.59	1.46	
	25	17.99	1.31	19.10	1.36	20.22	1.41	21.03	1.43	22.45	1.45	23.57	1.48	
	30	17.97	1.33	19.09	1.38	20.20	1.43	21.01	1.45	22.44	1.47	23.55	1.50	
	35	17.96	1.35	19.07	1.40	20.19	1.45	20.99	1.47	22.42	1.49	23.53	1.52	
	40	17.94	1.37	19.06	1.42	20.17	1.47	20.98	1.49	22.40	1.51	23.52	1.54	
	45	17.93	1.39	19.04	1.44	20.16	1.49	20.96	1.51	22.38	1.53	23.50	1.56	
	50	17.92	1.40	19.03	1.45	20.14	1.51	20.95	1.53	22.37	1.55	23.48	1.59	
	55	17.90	1.42	19.01	1.47	20.13	1.53	20.93	1.55	22.35	1.57	23.46	1.61	
	60	17.89	1.44	19.00	1.49	20.11	1.55	20.91	1.57	22.33	1.59	23.44	1.63	
	65	17.88	1.46	18.99	1.51	20.10	1.57	20.90	1.59	22.32	1.61	23.43	1.65	
	70	17.86	1.48	18.97	1.53	20.08	1.59	20.88	1.61	22.30	1.64	23.41	1.67	
	75	17.43	1.56	18.54	1.61	19.65	1.67	20.44	1.69	21.86	1.72	22.96	1.76	
	80	17.00	1.64	18.11	1.70	19.21	1.76	20.01	1.78	21.42	1.81	22.52	1.85	
	85	16.58	1.72	17.68	1.78	18.78	1.84	19.57	1.86	20.98	1.90	22.08	1.94	
	90	16.15	1.80	17.25	1.86	18.35	1.93	19.14	1.95	20.54	1.99	21.64	2.03	
	95	15.69	1.88	16.78	1.94	17.87	2.01	18.38	2.04	20.06	2.08	21.15	2.12	
	100	15.31	1.96	16.40	2.03	17.49	2.10	18.14	2.12	19.68	2.16	20.77	2.21	
	105	14.92	2.03	16.02	2.11	17.11	2.19	17.90	2.21	19.30	2.25	20.39	2.30	
	110	14.54	2.11	15.63	2.19	16.73	2.27	17.52	2.30	18.91	2.34	20.01	2.39	
	115	14.16	2.19	15.25	2.27	16.35	2.36	17.13	2.38	18.53	2.43	19.62	2.48	
	118	13.93	2.24	15.02	2.32	16.12	2.41	16.91	2.44	18.30	2.48	19.40	2.53	
	122	13.85	2.31	14.95	2.39	16.04	2.48	16.83	2.51	18.23	2.55	19.32	2.60	
	14	20.59	1.41	21.86	1.46	23.14	1.52	24.07	1.53	25.70	1.56	26.98	1.59	
	20	20.57	1.43	21.85	1.48	23.13	1.54	24.05	1.56	25.68	1.58	26.96	1.62	
	25	20.55	1.45	21.83	1.50	23.11	1.56	24.03	1.58	25.66	1.61	26.94	1.64	
	30	20.54	1.47	21.81	1.53	23.09	1.58	24.01	1.60	25.64	1.63	26.92	1.66	
	35	20.52	1.49	21.80	1.55	23.07	1.60	23.99	1.62	25.62	1.65	26.90	1.69	
	40	20.51	1.51	21.78	1.57	23.05	1.63	23.97	1.64	25.60	1.67	26.88	1.71	
	45	20.49	1.53	21.76	1.59	23.04	1.65	23.96	1.67	25.58	1.70	26.86	1.73	
	50	20.48	1.55	21.75	1.61	23.02	1.67	23.94	1.69	25.56	1.72	26.83	1.75	
	55	20.46	1.57	21.73	1.63	23.00	1.69	23.92	1.71	25.54	1.74	26.81	1.78	
	60	20.44	1.59	21.71	1.65	22.98	1.71	23.90	1.73	25.52	1.76	26.79	1.80	
	65	20.43	1.61	21.70	1.67	22.97	1.73	23.88	1.75	25.50	1.79	26.77	1.82	
	70	20.41	1.63	21.68	1.69	22.95	1.76	23.86	1.78	25.48	1.81	26.75	1.85	
	75	19.92	1.72	21.19	1.79	22.45	1.85	23.36	1.87	24.98	1.91	26.25	1.95	
	80	19.43	1.81	20.69	1.88	21.95	1.95	22.87	1.97	24.48	2.00	25.74	2.04	
	85	18.94	1.90	20.20	1.97	21.46	2.04	22.37	2.06	23.98	2.10	25.24	2.14	
	90	18.46	1.99	19.71	2.06	20.97	2.13	21.87	2.16	23.48	2.20	24.73	2.24	
	95	17.93	2.08	19.18	2.15	20.43	2.23	21.00	2.26	22.93	2.30	24.17	2.34	
	100	17.49	2.16	18.74	2.24	19.99	2.32	20.73	2.35	22.49	2.39	23.74	2.44	
	105	17.06	2.25	18.30	2.33	19.55	2.42	20.46	2.45	22.05	2.49	23.30	2.54	
	110	16.62	2.34	17.87	2.42	19.12	2.51	20.02	2.54	21.62	2.59	22.86	2.64	
	115	16.18	2.43	17.43	2.52	18.68	2.61	19.58	2.64	21.18	2.69	22.43	2.74	
	118	15.92	2.48	17.17	2.57	18.42	2.67	19.32	2.70	20.92	2.75	22.17	2.80	
	122	15.83	2.55	17.08	2.64	18.33	2.74	19.23	2.77	20.83	2.82	22.08	2.88	

# MULTI ZONE

## 7. Capacity tables

Models : MR36TQY3JMA

### ■ Ducted type indoor unit

#### Cooling capacity

Operation	Combination Capacity Index	Outdoor Air Temp.: °FDB	Indoor Air Temp. °F DB / °F WB											
			68 / 57		73 / 61		77 / 64		80 / 67		86 / 72		90 / 75	
			TC	PI	TC	PI	TC	PI	TC	PI	TC	PI	TC	PI
			kBtu/h	kW	kBtu/h	kW	kBtu/h	kW	kBtu/h	kW	kBtu/h	kW	kBtu/h	kW
2 UNITS	9 + 18	14	23.16	1.57	24.60	1.62	26.04	1.68	27.07	1.70	28.91	1.73	30.35	1.77
		20	23.14	1.59	24.58	1.65	26.02	1.71	27.05	1.73	28.89	1.76	30.33	1.79
		25	23.12	1.61	24.56	1.67	26.00	1.73	27.03	1.75	28.87	1.78	30.30	1.82
		30	23.11	1.63	24.54	1.69	25.98	1.76	27.01	1.78	28.85	1.81	30.28	1.85
		35	23.09	1.66	24.52	1.72	25.96	1.78	26.99	1.80	28.82	1.83	30.26	1.87
		40	23.07	1.68	24.50	1.74	25.94	1.80	26.97	1.82	28.80	1.86	30.24	1.90
		45	23.05	1.70	24.49	1.76	25.92	1.83	26.95	1.85	28.78	1.88	30.21	1.92
		50	23.04	1.72	24.47	1.79	25.90	1.85	26.93	1.87	28.76	1.91	30.19	1.95
		55	23.02	1.75	24.45	1.81	25.88	1.88	26.91	1.90	28.74	1.93	30.17	1.97
		60	23.00	1.77	24.43	1.83	25.86	1.90	26.89	1.92	28.71	1.96	30.14	2.00
		65	22.98	1.79	24.41	1.86	25.84	1.92	26.87	1.95	28.69	1.98	30.12	2.02
		70	22.97	1.81	24.39	1.88	25.82	1.95	26.85	1.97	28.67	2.01	30.10	2.05
	75	22.41	1.91	23.84	1.98	25.26	2.05	26.29	2.08	28.10	2.12	29.53	2.16	
	80	21.86	2.01	23.28	2.08	24.70	2.16	25.72	2.18	27.54	2.22	28.96	2.27	
	85	21.31	2.11	22.73	2.18	24.14	2.26	25.17	2.29	26.98	2.33	28.39	2.38	
	90	20.76	2.21	22.18	2.29	23.59	2.37	24.61	2.40	26.41	2.44	27.83	2.49	
	95	20.17	2.30	21.58	2.39	22.98	2.47	23.63	2.50	25.79	2.55	27.20	2.60	
	100	19.68	2.40	21.08	2.49	22.49	2.58	23.32	2.61	25.30	2.66	26.70	2.71	
	105	19.19	2.50	20.59	2.59	22.00	2.68	23.01	2.72	24.81	2.77	26.21	2.82	
	110	18.70	2.60	20.10	2.69	21.51	2.79	22.52	2.82	24.32	2.87	25.72	2.93	
	115	18.21	2.69	19.61	2.79	21.02	2.90	22.03	2.93	23.83	2.98	25.23	3.04	
	118	17.91	2.75	19.32	2.85	20.72	2.96	21.74	2.99	23.53	3.05	24.94	3.11	
	122	17.81	2.83	19.22	2.94	20.62	3.04	21.64	3.08	23.43	3.13	24.84	3.20	
	14	25.73	1.70	27.33	1.76	28.93	1.83	30.08	1.85	32.13	1.88	33.72	1.92	
	20	25.71	1.73	27.31	1.79	28.91	1.86	30.06	1.88	32.10	1.91	33.70	1.95	
	25	25.69	1.75	27.29	1.82	28.88	1.88	30.04	1.90	32.08	1.94	33.67	1.98	
	30	25.67	1.78	27.27	1.84	28.86	1.91	30.01	1.93	32.05	1.97	33.65	2.01	
	35	25.65	1.80	27.25	1.87	28.84	1.93	29.99	1.96	32.03	1.99	33.62	2.03	
	40	25.63	1.82	27.23	1.89	28.82	1.96	29.97	1.98	32.00	2.02	33.59	2.06	
	45	25.62	1.85	27.21	1.92	28.80	1.99	29.95	2.01	31.98	2.05	33.57	2.09	
	50	25.60	1.87	27.19	1.94	28.77	2.01	29.92	2.04	31.95	2.07	33.54	2.12	
	55	25.58	1.90	27.16	1.97	28.75	2.04	29.90	2.06	31.93	2.10	33.52	2.14	
	60	25.56	1.92	27.14	1.99	28.73	2.07	29.88	2.09	31.90	2.13	33.49	2.17	
	65	25.54	1.95	27.12	2.02	28.71	2.09	29.85	2.12	31.88	2.16	33.47	2.20	
	70	25.52	1.97	27.10	2.04	28.69	2.12	29.83	2.14	31.86	2.18	33.44	2.23	
	75	24.90	2.08	26.48	2.15	28.06	2.23	29.21	2.26	31.23	2.30	32.81	2.35	
	80	24.29	2.18	25.87	2.26	27.44	2.35	28.58	2.37	30.60	2.42	32.17	2.47	
	85	23.68	2.29	25.25	2.37	26.83	2.46	27.96	2.49	29.97	2.54	31.55	2.59	
	90	23.07	2.40	24.64	2.48	26.21	2.57	27.34	2.60	29.35	2.65	30.92	2.71	
	95	22.41	2.50	23.97	2.59	25.53	2.69	26.25	2.72	28.66	2.77	30.22	2.83	
	100	21.87	2.61	23.43	2.70	24.99	2.80	25.91	2.84	28.11	2.89	29.67	2.95	
	105	21.32	2.72	22.88	2.81	24.44	2.92	25.57	2.95	27.56	3.01	29.13	3.07	
	110	20.77	2.82	22.34	2.92	23.90	3.03	25.02	3.07	27.02	3.12	28.58	3.19	
	115	20.23	2.93	21.79	3.04	23.35	3.15	24.48	3.18	26.47	3.24	28.03	3.31	
	118	19.90	2.99	21.46	3.10	23.02	3.21	24.15	3.25	26.15	3.31	27.71	3.38	
	122	19.79	3.08	21.35	3.19	22.91	3.31	24.04	3.34	26.04	3.41	27.60	3.48	
	14	27.45	1.79	29.15	1.85	30.86	1.92	32.09	1.94	34.27	1.98	35.97	2.02	
	20	27.43	1.81	29.13	1.88	30.83	1.95	32.06	1.97	34.24	2.01	35.94	2.05	
	25	27.41	1.84	29.11	1.91	30.81	1.97	32.04	2.00	34.21	2.03	35.92	2.08	
	30	27.39	1.86	29.09	1.93	30.79	2.00	32.02	2.03	34.19	2.06	35.89	2.10	
	35	27.36	1.89	29.06	1.96	30.76	2.03	31.99	2.05	34.16	2.09	35.86	2.13	
	40	27.34	1.92	29.04	1.98	30.74	2.06	31.97	2.08	34.14	2.12	35.83	2.16	
	45	27.32	1.94	29.02	2.01	30.72	2.08	31.94	2.11	34.11	2.15	35.81	2.19	
	50	27.30	1.97	29.00	2.04	30.69	2.11	31.92	2.14	34.08	2.18	35.78	2.22	
	55	27.28	1.99	28.98	2.06	30.67	2.14	31.89	2.16	34.06	2.21	35.75	2.25	
	60	27.26	2.02	28.95	2.09	30.65	2.17	31.87	2.19	34.03	2.23	35.72	2.28	
	65	27.24	2.04	28.93	2.12	30.62	2.20	31.84	2.22	34.01	2.26	35.70	2.31	
	70	27.22	2.07	28.91	2.14	30.60	2.22	31.82	2.25	33.98	2.29	35.67	2.34	
	75	26.56	2.18	28.25	2.26	29.94	2.34	31.15	2.37	33.31	2.41	34.99	2.46	
	80	25.91	2.29	27.59	2.38	29.27	2.46	30.49	2.49	32.64	2.54	34.32	2.59	
	85	25.26	2.40	26.94	2.49	28.61	2.58	29.83	2.61	31.97	2.66	33.65	2.71	
	90	24.61	2.52	26.28	2.61	27.96	2.70	29.17	2.73	31.30	2.78	32.98	2.84	
	95	23.91	2.63	25.57	2.72	27.24	2.82	28.00	2.86	30.57	2.91	32.23	2.97	
	100	23.32	2.74	24.99	2.84	26.65	2.94	27.64	2.98	29.98	3.03	31.65	3.09	
	105	22.74	2.85	24.41	2.95	26.07	3.06	27.27	3.10	29.40	3.16	31.07	3.22	
	110	22.16	2.96	23.82	3.07	25.49	3.18	26.69	3.22	28.82	3.28	30.49	3.35	
	115	21.58	3.07	23.24	3.19	24.91	3.30	26.11	3.34	28.24	3.40	29.90	3.47	
	118	21.23	3.14	22.89	3.26	24.56	3.37	25.76	3.41	27.89	3.48	29.55	3.55	
	122	21.11	3.23	22.78	3.35	24.44	3.47	25.64	3.51	27.77	3.58	29.44	3.65	

Part 2 Product data\_ Outdoor units

# MULTI ZONE

## 7. Capacity tables

Models : MR36TQY3JMA

### ■ Ducted type indoor unit

#### Cooling capacity

Operation	Combination Capacity Index	Outdoor Air Temp.: °FDB	Indoor Air Temp. °F DB / °F WB											
			68 / 57		73 / 61		77 / 64		80 / 67		86 / 72		90 / 75	
			TC	PI	TC	PI	TC	PI	TC	PI	TC	PI	TC	PI
			kBtu/h	kW	kBtu/h	kW	kBtu/h	kW	kBtu/h	kW	kBtu/h	kW	kBtu/h	kW
3 UNITS	9 + 9 + 9	14	23.16	1.49	24.60	1.54	26.04	1.60	27.07	1.62	28.91	1.65	30.35	1.68
		20	23.14	1.51	24.58	1.57	26.02	1.62	27.05	1.64	28.89	1.67	30.33	1.71
		25	23.12	1.53	24.56	1.59	26.00	1.65	27.03	1.66	28.87	1.70	30.30	1.73
		30	23.11	1.55	24.54	1.61	25.98	1.67	27.01	1.69	28.85	1.72	30.28	1.75
		35	23.09	1.57	24.52	1.63	25.96	1.69	26.99	1.71	28.82	1.74	30.26	1.78
		40	23.07	1.60	24.50	1.65	25.94	1.71	26.97	1.73	28.80	1.77	30.24	1.80
		45	23.05	1.62	24.49	1.68	25.92	1.74	26.95	1.76	28.78	1.79	30.21	1.83
		50	23.04	1.64	24.47	1.70	25.90	1.76	26.93	1.78	28.76	1.81	30.19	1.85
		55	23.02	1.66	24.45	1.72	25.88	1.78	26.91	1.80	28.74	1.84	30.17	1.87
		60	23.00	1.68	24.43	1.74	25.86	1.81	26.89	1.83	28.71	1.86	30.14	1.90
		65	22.98	1.70	24.41	1.76	25.84	1.83	26.87	1.85	28.69	1.89	30.12	1.92
		70	22.97	1.72	24.39	1.79	25.82	1.85	26.85	1.87	28.67	1.91	30.10	1.95
	75	22.41	1.82	23.84	1.88	25.26	1.95	26.29	1.97	28.10	2.01	29.53	2.05	
	80	21.86	1.91	23.28	1.98	24.70	2.05	25.72	2.08	27.54	2.11	28.96	2.16	
	85	21.31	2.00	22.73	2.08	24.14	2.15	25.17	2.18	26.98	2.22	28.39	2.26	
	90	20.76	2.10	22.18	2.17	23.59	2.25	24.61	2.28	26.41	2.32	27.83	2.37	
	95	20.17	2.19	21.58	2.27	22.98	2.35	23.63	2.38	25.79	2.42	27.20	2.47	
	100	19.68	2.28	21.08	2.37	22.49	2.45	23.32	2.48	25.30	2.53	26.70	2.58	
	105	19.19	2.38	20.59	2.46	22.00	2.55	23.01	2.58	24.81	2.63	26.21	2.68	
	110	18.70	2.47	20.10	2.56	21.51	2.65	22.52	2.68	24.32	2.73	25.72	2.79	
	115	18.21	2.56	19.61	2.65	21.02	2.75	22.03	2.78	23.83	2.84	25.23	2.89	
	118	17.91	2.62	19.32	2.71	20.72	2.81	21.74	2.84	23.53	2.90	24.94	2.96	
	122	17.81	2.69	19.22	2.79	20.62	2.89	21.64	2.92	23.43	2.98	24.84	3.04	
	14	25.73	1.59	27.33	1.65	28.93	1.71	30.08	1.73	32.13	1.76	33.72	1.80	
	20	25.71	1.61	27.31	1.67	28.91	1.73	30.06	1.75	32.10	1.79	33.70	1.82	
	25	25.69	1.64	27.29	1.70	28.88	1.76	30.04	1.78	32.08	1.81	33.67	1.85	
	30	25.67	1.66	27.27	1.72	28.86	1.78	30.01	1.80	32.05	1.84	33.65	1.88	
	35	25.65	1.68	27.25	1.74	28.84	1.81	29.99	1.83	32.03	1.86	33.62	1.90	
	40	25.63	1.71	27.23	1.77	28.82	1.83	29.97	1.85	32.00	1.89	33.59	1.93	
	45	25.62	1.73	27.21	1.79	28.80	1.86	29.95	1.88	31.98	1.91	33.57	1.95	
	50	25.60	1.75	27.19	1.82	28.77	1.88	29.92	1.90	31.95	1.94	33.54	1.98	
	55	25.58	1.78	27.16	1.84	28.75	1.91	29.90	1.93	31.93	1.97	33.52	2.00	
	60	25.56	1.80	27.14	1.86	28.73	1.93	29.88	1.95	31.90	1.99	33.49	2.03	
	65	25.54	1.82	27.12	1.89	28.71	1.96	29.85	1.98	31.88	2.02	33.47	2.06	
	70	25.52	1.84	27.10	1.91	28.69	1.98	29.83	2.00	31.86	2.04	33.44	2.08	
	75	24.90	1.94	26.48	2.01	28.06	2.09	29.21	2.11	31.23	2.15	32.81	2.19	
	80	24.29	2.04	25.87	2.12	27.44	2.19	28.58	2.22	30.60	2.26	32.17	2.31	
	85	23.68	2.14	25.25	2.22	26.83	2.30	27.96	2.33	29.97	2.37	31.55	2.42	
	90	23.07	2.24	24.64	2.32	26.21	2.41	27.34	2.44	29.35	2.48	30.92	2.53	
	95	22.41	2.34	23.97	2.43	25.53	2.52	26.25	2.54	28.66	2.59	30.22	2.64	
	100	21.87	2.44	23.43	2.53	24.99	2.62	25.91	2.65	28.11	2.70	29.67	2.76	
	105	21.32	2.54	22.88	2.63	24.44	2.73	25.57	2.76	27.56	2.81	29.13	2.87	
	110	20.77	2.64	22.34	2.74	23.90	2.84	25.02	2.87	27.02	2.92	28.58	2.98	
	115	20.23	2.74	21.79	2.84	23.35	2.94	24.48	2.98	26.47	3.03	28.03	3.09	
	118	19.90	2.80	21.46	2.90	23.02	3.01	24.15	3.04	26.15	3.10	27.71	3.16	
	122	19.79	2.88	21.35	2.98	22.91	3.09	24.04	3.13	26.04	3.19	27.60	3.25	
	14	27.45	1.67	29.15	1.73	30.86	1.79	32.09	1.82	34.27	1.85	35.97	1.89	
	20	27.43	1.69	29.13	1.76	30.83	1.82	32.06	1.84	34.24	1.88	35.94	1.91	
	25	27.41	1.72	29.11	1.78	30.81	1.85	32.04	1.87	34.21	1.90	35.92	1.94	
	30	27.39	1.74	29.09	1.81	30.79	1.87	32.02	1.89	34.19	1.93	35.89	1.97	
	35	27.36	1.77	29.06	1.83	30.76	1.90	31.99	1.92	34.16	1.96	35.86	1.99	
	40	27.34	1.79	29.04	1.86	30.74	1.92	31.97	1.95	34.14	1.98	35.83	2.02	
	45	27.32	1.81	29.02	1.88	30.72	1.95	31.94	1.97	34.11	2.01	35.81	2.05	
	50	27.30	1.84	29.00	1.91	30.69	1.97	31.92	2.00	34.08	2.04	35.78	2.08	
	55	27.28	1.86	28.98	1.93	30.67	2.00	31.89	2.02	34.06	2.06	35.75	2.10	
	60	27.26	1.89	28.95	1.96	30.65	2.03	31.87	2.05	34.03	2.09	35.72	2.13	
	65	27.24	1.91	28.93	1.98	30.62	2.05	31.84	2.08	34.01	2.11	35.70	2.16	
	70	27.22	1.93	28.91	2.00	30.60	2.08	31.82	2.10	33.98	2.14	35.67	2.18	
	75	26.56	2.04	28.25	2.11	29.94	2.19	31.15	2.22	33.31	2.26	34.99	2.30	
	80	25.91	2.14	27.59	2.22	29.27	2.30	30.49	2.33	32.64	2.37	34.32	2.42	
	85	25.26	2.25	26.94	2.33	28.61	2.41	29.83	2.44	31.97	2.49	33.65	2.54	
	90	24.61	2.35	26.28	2.44	27.96	2.53	29.17	2.56	31.30	2.60	32.98	2.66	
	95	23.91	2.46	25.57	2.55	27.24	2.64	28.00	2.67	30.57	2.72	32.23	2.77	
	100	23.32	2.56	24.99	2.65	26.65	2.75	27.64	2.78	29.98	2.83	31.65	2.89	
	105	22.74	2.66	24.41	2.76	26.07	2.86	27.27	2.90	29.40	2.95	31.07	3.01	
	110	22.16	2.77	23.82	2.87	25.49	2.97	26.69	3.01	28.82	3.07	30.49	3.13	
	115	21.58	2.87	23.24	2.98	24.91	3.09	26.11	3.12	28.24	3.18	29.90	3.25	
	118	21.23	2.94	22.89	3.04	24.56	3.15	25.76	3.19	27.89	3.25	29.55	3.32	
	122	21.11	3.02	22.78	3.13	24.44	3.24	25.64	3.28	27.77	3.34	29.44	3.41	

# MULTI ZONE

## 7. Capacity tables

Models : MR36TQY3JMA

### ■ Ducted type indoor unit

#### Cooling capacity

Operation	Combination Capacity Index	Outdoor Air Temp.: °FDB	Indoor Air Temp. °F DB / °F WB											
			68 / 57		73 / 61		77 / 64		80 / 67		86 / 72		90 / 75	
			TC	PI	TC	PI	TC	PI	TC	PI	TC	PI	TC	PI
			kBtu/h	kW	kBtu/h	kW	kBtu/h	kW	kBtu/h	kW	kBtu/h	kW	kBtu/h	kW
3 UNITS	9 + 9 + 18	14	27.45	1.67	29.15	1.73	30.86	1.79	32.09	1.82	34.27	1.85	35.97	1.89
		20	27.43	1.69	29.13	1.76	30.83	1.82	32.06	1.84	34.24	1.88	35.94	1.91
		25	27.41	1.72	29.11	1.78	30.81	1.85	32.04	1.87	34.21	1.90	35.92	1.94
		30	27.39	1.74	29.09	1.81	30.79	1.87	32.02	1.89	34.19	1.93	35.89	1.97
		35	27.36	1.77	29.06	1.83	30.76	1.90	31.99	1.92	34.16	1.96	35.86	1.99
		40	27.34	1.79	29.04	1.86	30.74	1.92	31.97	1.95	34.14	1.98	35.83	2.02
		45	27.32	1.81	29.02	1.88	30.72	1.95	31.94	1.97	34.11	2.01	35.81	2.05
		50	27.30	1.84	29.00	1.91	30.69	1.97	31.92	2.00	34.08	2.04	35.78	2.08
		55	27.28	1.86	28.98	1.93	30.67	2.00	31.89	2.02	34.06	2.06	35.75	2.10
		60	27.26	1.89	28.95	1.96	30.65	2.03	31.87	2.05	34.03	2.09	35.72	2.13
		65	27.24	1.91	28.93	1.98	30.62	2.05	31.84	2.08	34.01	2.11	35.70	2.16
		70	27.22	1.93	28.91	2.00	30.60	2.08	31.82	2.10	33.98	2.14	35.67	2.18
	75	26.56	2.04	28.25	2.11	29.94	2.19	31.15	2.22	33.31	2.26	34.99	2.30	
	80	25.91	2.14	27.59	2.22	29.27	2.30	30.49	2.33	32.64	2.37	34.32	2.42	
	85	25.26	2.25	26.94	2.33	28.61	2.41	29.83	2.44	31.97	2.49	33.65	2.54	
	90	24.61	2.35	26.28	2.44	27.96	2.53	29.17	2.56	31.30	2.60	32.98	2.66	
	95	23.91	2.46	25.57	2.55	27.24	2.64	28.00	2.67	30.57	2.72	32.23	2.77	
	100	23.32	2.56	24.99	2.65	26.65	2.75	27.64	2.78	29.98	2.83	31.65	2.89	
	105	22.74	2.66	24.41	2.76	26.07	2.86	27.27	2.90	29.40	2.95	31.07	3.01	
	110	22.16	2.77	23.82	2.87	25.49	2.97	26.69	3.01	28.82	3.07	30.49	3.13	
	115	21.58	2.87	23.24	2.98	24.91	3.09	26.11	3.12	28.24	3.18	29.90	3.25	
	118	21.23	2.94	22.89	3.04	24.56	3.15	25.76	3.19	27.89	3.25	29.55	3.32	
	122	21.11	3.02	22.78	3.13	24.44	3.24	25.64	3.28	27.77	3.34	29.44	3.41	
	12 + 12 + 12	14	27.45	1.67	29.15	1.73	30.86	1.79	32.09	1.82	34.27	1.85	35.97	1.89
		20	27.43	1.69	29.13	1.76	30.83	1.82	32.06	1.84	34.24	1.88	35.94	1.91
		25	27.41	1.72	29.11	1.78	30.81	1.85	32.04	1.87	34.21	1.90	35.92	1.94
		30	27.39	1.74	29.09	1.81	30.79	1.87	32.02	1.89	34.19	1.93	35.89	1.97
		35	27.36	1.77	29.06	1.83	30.76	1.90	31.99	1.92	34.16	1.96	35.86	1.99
		40	27.34	1.79	29.04	1.86	30.74	1.92	31.97	1.95	34.14	1.98	35.83	2.02
		45	27.32	1.81	29.02	1.88	30.72	1.95	31.94	1.97	34.11	2.01	35.81	2.05
		50	27.30	1.84	29.00	1.91	30.69	1.97	31.92	2.00	34.08	2.04	35.78	2.08
		55	27.28	1.86	28.98	1.93	30.67	2.00	31.89	2.02	34.06	2.06	35.75	2.10
		60	27.26	1.89	28.95	1.96	30.65	2.03	31.87	2.05	34.03	2.09	35.72	2.13
		65	27.24	1.91	28.93	1.98	30.62	2.05	31.84	2.08	34.01	2.11	35.70	2.16
		70	27.22	1.93	28.91	2.00	30.60	2.08	31.82	2.10	33.98	2.14	35.67	2.18
	75	26.56	2.04	28.25	2.11	29.94	2.19	31.15	2.22	33.31	2.26	34.99	2.30	
80	25.91	2.14	27.59	2.22	29.27	2.30	30.49	2.33	32.64	2.37	34.32	2.42		
85	25.26	2.25	26.94	2.33	28.61	2.41	29.83	2.44	31.97	2.49	33.65	2.54		
90	24.61	2.35	26.28	2.44	27.96	2.53	29.17	2.56	31.30	2.60	32.98	2.66		
95	23.91	2.46	25.57	2.55	27.24	2.64	28.00	2.67	30.57	2.72	32.23	2.77		
100	23.32	2.56	24.99	2.65	26.65	2.75	27.64	2.78	29.98	2.83	31.65	2.89		
105	22.74	2.66	24.41	2.76	26.07	2.86	27.27	2.90	29.40	2.95	31.07	3.01		
110	22.16	2.77	23.82	2.87	25.49	2.97	26.69	3.01	28.82	3.07	30.49	3.13		
115	21.58	2.87	23.24	2.98	24.91	3.09	26.11	3.12	28.24	3.18	29.90	3.25		
118	21.23	2.94	22.89	3.04	24.56	3.15	25.76	3.19	27.89	3.25	29.55	3.32		
122	21.11	3.02	22.78	3.13	24.44	3.24	25.64	3.28	27.77	3.34	29.44	3.41		
9 + 12 + 18	14	27.45	1.67	29.15	1.73	30.86	1.79	32.09	1.82	34.27	1.85	35.97	1.89	
	20	27.43	1.69	29.13	1.76	30.83	1.82	32.06	1.84	34.24	1.88	35.94	1.91	
	25	27.41	1.72	29.11	1.78	30.81	1.85	32.04	1.87	34.21	1.90	35.92	1.94	
	30	27.39	1.74	29.09	1.81	30.79	1.87	32.02	1.89	34.19	1.93	35.89	1.97	
	35	27.36	1.77	29.06	1.83	30.76	1.90	31.99	1.92	34.16	1.96	35.86	1.99	
	40	27.34	1.79	29.04	1.86	30.74	1.92	31.97	1.95	34.14	1.98	35.83	2.02	
	45	27.32	1.81	29.02	1.88	30.72	1.95	31.94	1.97	34.11	2.01	35.81	2.05	
	50	27.30	1.84	29.00	1.91	30.69	1.97	31.92	2.00	34.08	2.04	35.78	2.08	
	55	27.28	1.86	28.98	1.93	30.67	2.00	31.89	2.02	34.06	2.06	35.75	2.10	
	60	27.26	1.89	28.95	1.96	30.65	2.03	31.87	2.05	34.03	2.09	35.72	2.13	
	65	27.24	1.91	28.93	1.98	30.62	2.05	31.84	2.08	34.01	2.11	35.70	2.16	
	70	27.22	1.93	28.91	2.00	30.60	2.08	31.82	2.10	33.98	2.14	35.67	2.18	
75	26.56	2.04	28.25	2.11	29.94	2.19	31.15	2.22	33.31	2.26	34.99	2.30		
80	25.91	2.14	27.59	2.22	29.27	2.30	30.49	2.33	32.64	2.37	34.32	2.42		
85	25.26	2.25	26.94	2.33	28.61	2.41	29.83	2.44	31.97	2.49	33.65	2.54		
90	24.61	2.35	26.28	2.44	27.96	2.53	29.17	2.56	31.30	2.60	32.98	2.66		
95	23.91	2.46	25.57	2.55	27.24	2.64	28.00	2.67	30.57	2.72	32.23	2.77		
100	23.32	2.56	24.99	2.65	26.65	2.75	27.64	2.78	29.98	2.83	31.65	2.89		
105	22.74	2.66	24.41	2.76	26.07	2.86	27.27	2.90	29.40	2.95	31.07	3.01		
110	22.16	2.77	23.82	2.87	25.49	2.97	26.69	3.01	28.82	3.07	30.49	3.13		
115	21.58	2.87	23.24	2.98	24.91	3.09	26.11	3.12	28.24	3.18	29.90	3.25		
118	21.23	2.94	22.89	3.04	24.56	3.15	25.76	3.19	27.89	3.25	29.55	3.32		
122	21.11	3.02	22.78	3.13	24.44	3.24	25.64	3.28	27.77	3.34	29.44	3.41		

# MULTI ZONE

## 7. Capacity tables

Models : MR36TQY3JMA

### ■ Ducted type indoor unit

#### Cooling capacity

Operation	Combination Capacity Index	Outdoor Air Temp.: °FDB	Indoor Air Temp. °F DB / °F WB											
			68 / 57		73 / 61		77 / 64		80 / 67		86 / 72		90 / 75	
			TC	PI	TC	PI	TC	PI	TC	PI	TC	PI	TC	PI
			kBtu/h	kW	kBtu/h	kW	kBtu/h	kW	kBtu/h	kW	kBtu/h	kW	kBtu/h	kW
3 UNITS	12 + 12 + 18	14	27.45	1.67	29.15	1.73	30.86	1.79	32.09	1.82	34.27	1.85	35.97	1.89
		20	27.43	1.69	29.13	1.76	30.83	1.82	32.06	1.84	34.24	1.88	35.94	1.91
		25	27.41	1.72	29.11	1.78	30.81	1.85	32.04	1.87	34.21	1.90	35.92	1.94
		30	27.39	1.74	29.09	1.81	30.79	1.87	32.02	1.89	34.19	1.93	35.89	1.97
		35	27.36	1.77	29.06	1.83	30.76	1.90	31.99	1.92	34.16	1.96	35.86	1.99
		40	27.34	1.79	29.04	1.86	30.74	1.92	31.97	1.95	34.14	1.98	35.83	2.02
		45	27.32	1.81	29.02	1.88	30.72	1.95	31.94	1.97	34.11	2.01	35.81	2.05
		50	27.30	1.84	29.00	1.91	30.69	1.97	31.92	2.00	34.08	2.04	35.78	2.08
		55	27.28	1.86	28.98	1.93	30.67	2.00	31.89	2.02	34.06	2.06	35.75	2.10
		60	27.26	1.89	28.95	1.96	30.65	2.03	31.87	2.05	34.03	2.09	35.72	2.13
		65	27.24	1.91	28.93	1.98	30.62	2.05	31.84	2.08	34.01	2.11	35.70	2.16
		70	27.22	1.93	28.91	2.00	30.60	2.08	31.82	2.10	33.98	2.14	35.67	2.18
	75	26.56	2.04	28.25	2.11	29.94	2.19	31.15	2.22	33.31	2.26	34.99	2.30	
	80	25.91	2.14	27.59	2.22	29.27	2.30	30.49	2.33	32.64	2.37	34.32	2.42	
	85	25.26	2.25	26.94	2.33	28.61	2.41	29.83	2.44	31.97	2.49	33.65	2.54	
	90	24.61	2.35	26.28	2.44	27.96	2.53	29.17	2.56	31.30	2.60	32.98	2.66	
	95	23.91	2.46	25.57	2.55	27.24	2.64	28.00	2.67	30.57	2.72	32.23	2.77	
	100	23.32	2.56	24.99	2.65	26.65	2.75	27.64	2.78	29.98	2.83	31.65	2.89	
	105	22.74	2.66	24.41	2.76	26.07	2.86	27.27	2.90	29.40	2.95	31.07	3.01	
	110	22.16	2.77	23.82	2.87	25.49	2.97	26.69	3.01	28.82	3.07	30.49	3.13	
	115	21.58	2.87	23.24	2.98	24.91	3.09	26.11	3.12	28.24	3.18	29.90	3.25	
	118	21.23	2.94	22.89	3.04	24.56	3.15	25.76	3.19	27.89	3.25	29.55	3.32	
	122	21.11	3.02	22.78	3.13	24.44	3.24	25.64	3.28	27.77	3.34	29.44	3.41	
	9 + 18 + 18	14	27.45	1.67	29.15	1.73	30.86	1.79	32.09	1.82	34.27	1.85	35.97	1.89
		20	27.43	1.69	29.13	1.76	30.83	1.82	32.06	1.84	34.24	1.88	35.94	1.91
		25	27.41	1.72	29.11	1.78	30.81	1.85	32.04	1.87	34.21	1.90	35.92	1.94
		30	27.39	1.74	29.09	1.81	30.79	1.87	32.02	1.89	34.19	1.93	35.89	1.97
		35	27.36	1.77	29.06	1.83	30.76	1.90	31.99	1.92	34.16	1.96	35.86	1.99
		40	27.34	1.79	29.04	1.86	30.74	1.92	31.97	1.95	34.14	1.98	35.83	2.02
		45	27.32	1.81	29.02	1.88	30.72	1.95	31.94	1.97	34.11	2.01	35.81	2.05
		50	27.30	1.84	29.00	1.91	30.69	1.97	31.92	2.00	34.08	2.04	35.78	2.08
		55	27.28	1.86	28.98	1.93	30.67	2.00	31.89	2.02	34.06	2.06	35.75	2.10
		60	27.26	1.89	28.95	1.96	30.65	2.03	31.87	2.05	34.03	2.09	35.72	2.13
		65	27.24	1.91	28.93	1.98	30.62	2.05	31.84	2.08	34.01	2.11	35.70	2.16
		70	27.22	1.93	28.91	2.00	30.60	2.08	31.82	2.10	33.98	2.14	35.67	2.18
	75	26.56	2.04	28.25	2.11	29.94	2.19	31.15	2.22	33.31	2.26	34.99	2.30	
80	25.91	2.14	27.59	2.22	29.27	2.30	30.49	2.33	32.64	2.37	34.32	2.42		
85	25.26	2.25	26.94	2.33	28.61	2.41	29.83	2.44	31.97	2.49	33.65	2.54		
90	24.61	2.35	26.28	2.44	27.96	2.53	29.17	2.56	31.30	2.60	32.98	2.66		
95	23.91	2.46	25.57	2.55	27.24	2.64	28.00	2.67	30.57	2.72	32.23	2.77		
100	23.32	2.56	24.99	2.65	26.65	2.75	27.64	2.78	29.98	2.83	31.65	2.89		
105	22.74	2.66	24.41	2.76	26.07	2.86	27.27	2.90	29.40	2.95	31.07	3.01		
110	22.16	2.77	23.82	2.87	25.49	2.97	26.69	3.01	28.82	3.07	30.49	3.13		
115	21.58	2.87	23.24	2.98	24.91	3.09	26.11	3.12	28.24	3.18	29.90	3.25		
118	21.23	2.94	22.89	3.04	24.56	3.15	25.76	3.19	27.89	3.25	29.55	3.32		
122	21.11	3.02	22.78	3.13	24.44	3.24	25.64	3.28	27.77	3.34	29.44	3.41		
12 + 18 + 18	14	27.45	1.67	29.15	1.73	30.86	1.79	32.09	1.82	34.27	1.85	35.97	1.89	
	20	27.43	1.69	29.13	1.76	30.83	1.82	32.06	1.84	34.24	1.88	35.94	1.91	
	25	27.41	1.72	29.11	1.78	30.81	1.85	32.04	1.87	34.21	1.90	35.92	1.94	
	30	27.39	1.74	29.09	1.81	30.79	1.87	32.02	1.89	34.19	1.93	35.89	1.97	
	35	27.36	1.77	29.06	1.83	30.76	1.90	31.99	1.92	34.16	1.96	35.86	1.99	
	40	27.34	1.79	29.04	1.86	30.74	1.92	31.97	1.95	34.14	1.98	35.83	2.02	
	45	27.32	1.81	29.02	1.88	30.72	1.95	31.94	1.97	34.11	2.01	35.81	2.05	
	50	27.30	1.84	29.00	1.91	30.69	1.97	31.92	2.00	34.08	2.04	35.78	2.08	
	55	27.28	1.86	28.98	1.93	30.67	2.00	31.89	2.02	34.06	2.06	35.75	2.10	
	60	27.26	1.89	28.95	1.96	30.65	2.03	31.87	2.05	34.03	2.09	35.72	2.13	
	65	27.24	1.91	28.93	1.98	30.62	2.05	31.84	2.08	34.01	2.11	35.70	2.16	
	70	27.22	1.93	28.91	2.00	30.60	2.08	31.82	2.10	33.98	2.14	35.67	2.18	
75	26.56	2.04	28.25	2.11	29.94	2.19	31.15	2.22	33.31	2.26	34.99	2.30		
80	25.91	2.14	27.59	2.22	29.27	2.30	30.49	2.33	32.64	2.37	34.32	2.42		
85	25.26	2.25	26.94	2.33	28.61	2.41	29.83	2.44	31.97	2.49	33.65	2.54		
90	24.61	2.35	26.28	2.44	27.96	2.53	29.17	2.56	31.30	2.60	32.98	2.66		
95	23.91	2.46	25.57	2.55	27.24	2.64	28.00	2.67	30.57	2.72	32.23	2.77		
100	23.32	2.56	24.99	2.65	26.65	2.75	27.64	2.78	29.98	2.83	31.65	2.89		
105	22.74	2.66	24.41	2.76	26.07	2.86	27.27	2.90	29.40	2.95	31.07	3.01		
110	22.16	2.77	23.82	2.87	25.49	2.97	26.69	3.01	28.82	3.07	30.49	3.13		
115	21.58	2.87	23.24	2.98	24.91	3.09	26.11	3.12	28.24	3.18	29.90	3.25		
118	21.23	2.94	22.89	3.04	24.56	3.15	25.76	3.19	27.89	3.25	29.55	3.32		
122	21.11	3.02	22.78	3.13	24.44	3.24	25.64	3.28	27.77	3.34	29.44	3.41		

Part 2 Product data Outdoor units

# MULTI ZONE

## 7. Capacity tables

Models : MR36TQY3JMA

### ■ Ducted type indoor unit

#### Cooling capacity

Operation	Combination Capacity Index	Outdoor Air Temp.: °FDB	Indoor Air Temp. °F DB / °F WB											
			68 / 57		73 / 61		77 / 64		80 / 67		86 / 72		90 / 75	
			TC	PI	TC	PI	TC	PI	TC	PI	TC	PI	TC	PI
			kBtu/h	kW	kBtu/h	kW	kBtu/h	kW	kBtu/h	kW	kBtu/h	kW	kBtu/h	kW
4 UNITS	9+9+9+9	14	27.45	1.59	29.15	1.65	30.86	1.71	32.09	1.73	34.27	1.76	35.97	1.80
		20	27.43	1.62	29.13	1.67	30.83	1.74	32.06	1.76	34.24	1.79	35.94	1.82
		25	27.41	1.64	29.11	1.70	30.81	1.76	32.04	1.78	34.21	1.81	35.92	1.85
		30	27.39	1.66	29.09	1.72	30.79	1.78	32.02	1.81	34.19	1.84	35.89	1.88
		35	27.36	1.68	29.06	1.75	30.76	1.81	31.99	1.83	34.16	1.86	35.86	1.90
		40	27.34	1.71	29.04	1.77	30.74	1.83	31.97	1.86	34.14	1.89	35.83	1.93
		45	27.32	1.73	29.02	1.79	30.72	1.86	31.94	1.88	34.11	1.92	35.81	1.95
		50	27.30	1.75	29.00	1.82	30.69	1.88	31.92	1.90	34.08	1.94	35.78	1.98
		55	27.28	1.78	28.98	1.84	30.67	1.91	31.89	1.93	34.06	1.97	35.75	2.01
		60	27.26	1.80	28.95	1.86	30.65	1.93	31.87	1.95	34.03	1.99	35.72	2.03
		65	27.24	1.82	28.93	1.89	30.62	1.96	31.84	1.98	34.01	2.02	35.70	2.06
		70	27.22	1.84	28.91	1.91	30.60	1.98	31.82	2.00	33.98	2.04	35.67	2.08
	75	26.56	1.94	28.25	2.01	29.94	2.09	31.15	2.11	33.31	2.15	34.99	2.20	
	80	25.91	2.04	27.59	2.12	29.27	2.20	30.49	2.22	32.64	2.26	34.32	2.31	
	85	25.26	2.14	26.94	2.22	28.61	2.30	29.83	2.33	31.97	2.37	33.65	2.42	
	90	24.61	2.24	26.28	2.32	27.96	2.41	29.17	2.44	31.30	2.48	32.98	2.53	
	95	23.91	2.34	25.57	2.43	27.24	2.52	28.00	2.55	30.57	2.59	32.23	2.64	
	100	23.32	2.44	24.99	2.53	26.65	2.62	27.64	2.65	29.98	2.70	31.65	2.76	
	105	22.74	2.54	24.41	2.63	26.07	2.73	27.27	2.76	29.40	2.81	31.07	2.87	
	110	22.16	2.64	23.82	2.74	25.49	2.84	26.69	2.87	28.82	2.92	30.49	2.98	
	115	21.58	2.74	23.24	2.84	24.91	2.94	26.11	2.98	28.24	3.03	29.90	3.09	
	118	21.23	2.80	22.89	2.90	24.56	3.01	25.76	3.04	27.89	3.10	29.55	3.16	
	122	21.11	2.88	22.78	2.98	24.44	3.09	25.64	3.13	27.77	3.19	29.44	3.25	
	9+9+9+12	14	27.45	1.59	29.15	1.65	30.86	1.71	32.09	1.73	34.27	1.76	35.97	1.80
		20	27.43	1.62	29.13	1.67	30.83	1.74	32.06	1.76	34.24	1.79	35.94	1.82
		25	27.41	1.64	29.11	1.70	30.81	1.76	32.04	1.78	34.21	1.81	35.92	1.85
		30	27.39	1.66	29.09	1.72	30.79	1.78	32.02	1.81	34.19	1.84	35.89	1.88
		35	27.36	1.68	29.06	1.75	30.76	1.81	31.99	1.83	34.16	1.86	35.86	1.90
		40	27.34	1.71	29.04	1.77	30.74	1.83	31.97	1.86	34.14	1.89	35.83	1.93
		45	27.32	1.73	29.02	1.79	30.72	1.86	31.94	1.88	34.11	1.92	35.81	1.95
		50	27.30	1.75	29.00	1.82	30.69	1.88	31.92	1.90	34.08	1.94	35.78	1.98
		55	27.28	1.78	28.98	1.84	30.67	1.91	31.89	1.93	34.06	1.97	35.75	2.01
		60	27.26	1.80	28.95	1.86	30.65	1.93	31.87	1.95	34.03	1.99	35.72	2.03
		65	27.24	1.82	28.93	1.89	30.62	1.96	31.84	1.98	34.01	2.02	35.70	2.06
		70	27.22	1.84	28.91	1.91	30.60	1.98	31.82	2.00	33.98	2.04	35.67	2.08
	75	26.56	1.94	28.25	2.01	29.94	2.09	31.15	2.11	33.31	2.15	34.99	2.20	
80	25.91	2.04	27.59	2.12	29.27	2.20	30.49	2.22	32.64	2.26	34.32	2.31		
85	25.26	2.14	26.94	2.22	28.61	2.30	29.83	2.33	31.97	2.37	33.65	2.42		
90	24.61	2.24	26.28	2.32	27.96	2.41	29.17	2.44	31.30	2.48	32.98	2.53		
95	23.91	2.34	25.57	2.43	27.24	2.52	28.00	2.55	30.57	2.59	32.23	2.64		
100	23.32	2.44	24.99	2.53	26.65	2.62	27.64	2.65	29.98	2.70	31.65	2.76		
105	22.74	2.54	24.41	2.63	26.07	2.73	27.27	2.76	29.40	2.81	31.07	2.87		
110	22.16	2.64	23.82	2.74	25.49	2.84	26.69	2.87	28.82	2.92	30.49	2.98		
115	21.58	2.74	23.24	2.84	24.91	2.94	26.11	2.98	28.24	3.03	29.90	3.09		
118	21.23	2.80	22.89	2.90	24.56	3.01	25.76	3.04	27.89	3.10	29.55	3.16		
122	21.11	2.88	22.78	2.98	24.44	3.09	25.64	3.13	27.77	3.19	29.44	3.25		
9+9+12+12	14	27.45	1.59	29.15	1.65	30.86	1.71	32.09	1.73	34.27	1.76	35.97	1.80	
	20	27.43	1.62	29.13	1.67	30.83	1.74	32.06	1.76	34.24	1.79	35.94	1.82	
	25	27.41	1.64	29.11	1.70	30.81	1.76	32.04	1.78	34.21	1.81	35.92	1.85	
	30	27.39	1.66	29.09	1.72	30.79	1.78	32.02	1.81	34.19	1.84	35.89	1.88	
	35	27.36	1.68	29.06	1.75	30.76	1.81	31.99	1.83	34.16	1.86	35.86	1.90	
	40	27.34	1.71	29.04	1.77	30.74	1.83	31.97	1.86	34.14	1.89	35.83	1.93	
	45	27.32	1.73	29.02	1.79	30.72	1.86	31.94	1.88	34.11	1.92	35.81	1.95	
	50	27.30	1.75	29.00	1.82	30.69	1.88	31.92	1.90	34.08	1.94	35.78	1.98	
	55	27.28	1.78	28.98	1.84	30.67	1.91	31.89	1.93	34.06	1.97	35.75	2.01	
	60	27.26	1.80	28.95	1.86	30.65	1.93	31.87	1.95	34.03	1.99	35.72	2.03	
	65	27.24	1.82	28.93	1.89	30.62	1.96	31.84	1.98	34.01	2.02	35.70	2.06	
	70	27.22	1.84	28.91	1.91	30.60	1.98	31.82	2.00	33.98	2.04	35.67	2.08	
75	26.56	1.94	28.25	2.01	29.94	2.09	31.15	2.11	33.31	2.15	34.99	2.20		
80	25.91	2.04	27.59	2.12	29.27	2.20	30.49	2.22	32.64	2.26	34.32	2.31		
85	25.26	2.14	26.94	2.22	28.61	2.30	29.83	2.33	31.97	2.37	33.65	2.42		
90	24.61	2.24	26.28	2.32	27.96	2.41	29.17	2.44	31.30	2.48	32.98	2.53		
95	23.91	2.34	25.57	2.43	27.24	2.52	28.00	2.55	30.57	2.59	32.23	2.64		
100	23.32	2.44	24.99	2.53	26.65	2.62	27.64	2.65	29.98	2.70	31.65	2.76		
105	22.74	2.54	24.41	2.63	26.07	2.73	27.27	2.76	29.40	2.81	31.07	2.87		
110	22.16	2.64	23.82	2.74	25.49	2.84	26.69	2.87	28.82	2.92	30.49	2.98		
115	21.58	2.74	23.24	2.84	24.91	2.94	26.11	2.98	28.24	3.03	29.90	3.09		
118	21.23	2.80	22.89	2.90	24.56	3.01	25.76	3.04	27.89	3.10	29.55	3.16		
122	21.11	2.88	22.78	2.98	24.44	3.09	25.64	3.13	27.77	3.19	29.44	3.25		

Part 2 Product data\_ Outdoor units

# MULTI ZONE

## 7. Capacity tables

Models : MR36TQY3JMA

### ■ Ducted type indoor unit

#### Cooling capacity

Operation	Combination Capacity Index	Outdoor Air Temp.: °FDB	Indoor Air Temp. °F DB / °F WB											
			68 / 57		73 / 61		77 / 64		80 / 67		86 / 72		90 / 75	
			TC	PI	TC	PI	TC	PI	TC	PI	TC	PI	TC	PI
			kBtu/h	kW	kBtu/h	kW	kBtu/h	kW	kBtu/h	kW	kBtu/h	kW	kBtu/h	kW
4 UNITS	9 + 9 + 9 + 18	14	27.45	1.59	29.15	1.65	30.86	1.71	32.09	1.73	34.27	1.76	35.97	1.80
		20	27.43	1.62	29.13	1.67	30.83	1.74	32.06	1.76	34.24	1.79	35.94	1.82
		25	27.41	1.64	29.11	1.70	30.81	1.76	32.04	1.78	34.21	1.81	35.92	1.85
		30	27.39	1.66	29.09	1.72	30.79	1.78	32.02	1.81	34.19	1.84	35.89	1.88
		35	27.36	1.68	29.06	1.75	30.76	1.81	31.99	1.83	34.16	1.86	35.86	1.90
		40	27.34	1.71	29.04	1.77	30.74	1.83	31.97	1.86	34.14	1.89	35.83	1.93
		45	27.32	1.73	29.02	1.79	30.72	1.86	31.94	1.88	34.11	1.92	35.81	1.95
		50	27.30	1.75	29.00	1.82	30.69	1.88	31.92	1.90	34.08	1.94	35.78	1.98
		55	27.28	1.78	28.98	1.84	30.67	1.91	31.89	1.93	34.06	1.97	35.75	2.01
		60	27.26	1.80	28.95	1.86	30.65	1.93	31.87	1.95	34.03	1.99	35.72	2.03
		65	27.24	1.82	28.93	1.89	30.62	1.96	31.84	1.98	34.01	2.02	35.70	2.06
		70	27.22	1.84	28.91	1.91	30.60	1.98	31.82	2.00	33.98	2.04	35.67	2.08
	75	26.56	1.94	28.25	2.01	29.94	2.09	31.15	2.11	33.31	2.15	34.99	2.20	
	80	25.91	2.04	27.59	2.12	29.27	2.20	30.49	2.22	32.64	2.26	34.32	2.31	
	85	25.26	2.14	26.94	2.22	28.61	2.30	29.83	2.33	31.97	2.37	33.65	2.42	
	90	24.61	2.24	26.28	2.32	27.96	2.41	29.17	2.44	31.30	2.48	32.98	2.53	
	95	23.91	2.34	25.57	2.43	27.24	2.52	28.00	2.55	30.57	2.59	32.23	2.64	
	100	23.32	2.44	24.99	2.53	26.65	2.62	27.64	2.65	29.98	2.70	31.65	2.76	
	105	22.74	2.54	24.41	2.63	26.07	2.73	27.27	2.76	29.40	2.81	31.07	2.87	
	110	22.16	2.64	23.82	2.74	25.49	2.84	26.69	2.87	28.82	2.92	30.49	2.98	
	115	21.58	2.74	23.24	2.84	24.91	2.94	26.11	2.98	28.24	3.03	29.90	3.09	
	118	21.23	2.80	22.89	2.90	24.56	3.01	25.76	3.04	27.89	3.10	29.55	3.16	
	122	21.11	2.88	22.78	2.98	24.44	3.09	25.64	3.13	27.77	3.19	29.44	3.25	
	9 + 12 + 12 + 12	14	27.45	1.59	29.15	1.65	30.86	1.71	32.09	1.73	34.27	1.76	35.97	1.80
		20	27.43	1.62	29.13	1.67	30.83	1.74	32.06	1.76	34.24	1.79	35.94	1.82
		25	27.41	1.64	29.11	1.70	30.81	1.76	32.04	1.78	34.21	1.81	35.92	1.85
		30	27.39	1.66	29.09	1.72	30.79	1.78	32.02	1.81	34.19	1.84	35.89	1.88
		35	27.36	1.68	29.06	1.75	30.76	1.81	31.99	1.83	34.16	1.86	35.86	1.90
		40	27.34	1.71	29.04	1.77	30.74	1.83	31.97	1.86	34.14	1.89	35.83	1.93
		45	27.32	1.73	29.02	1.79	30.72	1.86	31.94	1.88	34.11	1.92	35.81	1.95
		50	27.30	1.75	29.00	1.82	30.69	1.88	31.92	1.90	34.08	1.94	35.78	1.98
		55	27.28	1.78	28.98	1.84	30.67	1.91	31.89	1.93	34.06	1.97	35.75	2.01
		60	27.26	1.80	28.95	1.86	30.65	1.93	31.87	1.95	34.03	1.99	35.72	2.03
		65	27.24	1.82	28.93	1.89	30.62	1.96	31.84	1.98	34.01	2.02	35.70	2.06
		70	27.22	1.84	28.91	1.91	30.60	1.98	31.82	2.00	33.98	2.04	35.67	2.08
	75	26.56	1.94	28.25	2.01	29.94	2.09	31.15	2.11	33.31	2.15	34.99	2.20	
80	25.91	2.04	27.59	2.12	29.27	2.20	30.49	2.22	32.64	2.26	34.32	2.31		
85	25.26	2.14	26.94	2.22	28.61	2.30	29.83	2.33	31.97	2.37	33.65	2.42		
90	24.61	2.24	26.28	2.32	27.96	2.41	29.17	2.44	31.30	2.48	32.98	2.53		
95	23.91	2.34	25.57	2.43	27.24	2.52	28.00	2.55	30.57	2.59	32.23	2.64		
100	23.32	2.44	24.99	2.53	26.65	2.62	27.64	2.65	29.98	2.70	31.65	2.76		
105	22.74	2.54	24.41	2.63	26.07	2.73	27.27	2.76	29.40	2.81	31.07	2.87		
110	22.16	2.64	23.82	2.74	25.49	2.84	26.69	2.87	28.82	2.92	30.49	2.98		
115	21.58	2.74	23.24	2.84	24.91	2.94	26.11	2.98	28.24	3.03	29.90	3.09		
118	21.23	2.80	22.89	2.90	24.56	3.01	25.76	3.04	27.89	3.10	29.55	3.16		
122	21.11	2.88	22.78	2.98	24.44	3.09	25.64	3.13	27.77	3.19	29.44	3.25		
9 + 9 + 12 + 18	14	27.45	1.59	29.15	1.65	30.86	1.71	32.09	1.73	34.27	1.76	35.97	1.80	
	20	27.43	1.62	29.13	1.67	30.83	1.74	32.06	1.76	34.24	1.79	35.94	1.82	
	25	27.41	1.64	29.11	1.70	30.81	1.76	32.04	1.78	34.21	1.81	35.92	1.85	
	30	27.39	1.66	29.09	1.72	30.79	1.78	32.02	1.81	34.19	1.84	35.89	1.88	
	35	27.36	1.68	29.06	1.75	30.76	1.81	31.99	1.83	34.16	1.86	35.86	1.90	
	40	27.34	1.71	29.04	1.77	30.74	1.83	31.97	1.86	34.14	1.89	35.83	1.93	
	45	27.32	1.73	29.02	1.79	30.72	1.86	31.94	1.88	34.11	1.92	35.81	1.95	
	50	27.30	1.75	29.00	1.82	30.69	1.88	31.92	1.90	34.08	1.94	35.78	1.98	
	55	27.28	1.78	28.98	1.84	30.67	1.91	31.89	1.93	34.06	1.97	35.75	2.01	
	60	27.26	1.80	28.95	1.86	30.65	1.93	31.87	1.95	34.03	1.99	35.72	2.03	
	65	27.24	1.82	28.93	1.89	30.62	1.96	31.84	1.98	34.01	2.02	35.70	2.06	
	70	27.22	1.84	28.91	1.91	30.60	1.98	31.82	2.00	33.98	2.04	35.67	2.08	
75	26.56	1.94	28.25	2.01	29.94	2.09	31.15	2.11	33.31	2.15	34.99	2.20		
80	25.91	2.04	27.59	2.12	29.27	2.20	30.49	2.22	32.64	2.26	34.32	2.31		
85	25.26	2.14	26.94	2.22	28.61	2.30	29.83	2.33	31.97	2.37	33.65	2.42		
90	24.61	2.24	26.28	2.32	27.96	2.41	29.17	2.44	31.30	2.48	32.98	2.53		
95	23.91	2.34	25.57	2.43	27.24	2.52	28.00	2.55	30.57	2.59	32.23	2.64		
100	23.32	2.44	24.99	2.53	26.65	2.62	27.64	2.65	29.98	2.70	31.65	2.76		
105	22.74	2.54	24.41	2.63	26.07	2.73	27.27	2.76	29.40	2.81	31.07	2.87		
110	22.16	2.64	23.82	2.74	25.49	2.84	26.69	2.87	28.82	2.92	30.49	2.98		
115	21.58	2.74	23.24	2.84	24.91	2.94	26.11	2.98	28.24	3.03	29.90	3.09		
118	21.23	2.80	22.89	2.90	24.56	3.01	25.76	3.04	27.89	3.10	29.55	3.16		
122	21.11	2.88	22.78	2.98	24.44	3.09	25.64	3.13	27.77	3.19	29.44	3.25		

Part 2 Product data Outdoor units

# MULTI ZONE

## 7. Capacity tables

Models : MR36TQY3JMA

### ■ Ducted type indoor unit

#### Cooling capacity

Operation	Combination Capacity Index	Outdoor Air Temp.: °FDB	Indoor Air Temp. °F DB / °F WB											
			68 / 57		73 / 61		77 / 64		80 / 67		86 / 72		90 / 75	
			TC	PI	TC	PI	TC	PI	TC	PI	TC	PI	TC	PI
			kBtu/h	kW	kBtu/h	kW	kBtu/h	kW	kBtu/h	kW	kBtu/h	kW	kBtu/h	kW
4 UNITS	12 + 12 + 12 + 12	14	27.45	1.59	29.15	1.65	30.86	1.71	32.09	1.73	34.27	1.76	35.97	1.80
		20	27.43	1.62	29.13	1.67	30.83	1.74	32.06	1.76	34.24	1.79	35.94	1.82
		25	27.41	1.64	29.11	1.70	30.81	1.76	32.04	1.78	34.21	1.81	35.92	1.85
		30	27.39	1.66	29.09	1.72	30.79	1.78	32.02	1.81	34.19	1.84	35.89	1.88
		35	27.36	1.68	29.06	1.75	30.76	1.81	31.99	1.83	34.16	1.86	35.86	1.90
		40	27.34	1.71	29.04	1.77	30.74	1.83	31.97	1.86	34.14	1.89	35.83	1.93
		45	27.32	1.73	29.02	1.79	30.72	1.86	31.94	1.88	34.11	1.92	35.81	1.95
		50	27.30	1.75	29.00	1.82	30.69	1.88	31.92	1.90	34.08	1.94	35.78	1.98
		55	27.28	1.78	28.98	1.84	30.67	1.91	31.89	1.93	34.06	1.97	35.75	2.01
		60	27.26	1.80	28.95	1.86	30.65	1.93	31.87	1.95	34.03	1.99	35.72	2.03
		65	27.24	1.82	28.93	1.89	30.62	1.96	31.84	1.98	34.01	2.02	35.70	2.06
		70	27.22	1.84	28.91	1.91	30.60	1.98	31.82	2.00	33.98	2.04	35.67	2.08
		75	26.56	1.94	28.25	2.01	29.94	2.09	31.15	2.11	33.31	2.15	34.99	2.20
		80	25.91	2.04	27.59	2.12	29.27	2.20	30.49	2.22	32.64	2.26	34.32	2.31
		85	25.26	2.14	26.94	2.22	28.61	2.30	29.83	2.33	31.97	2.37	33.65	2.42
		90	24.61	2.24	26.28	2.32	27.96	2.41	29.17	2.44	31.30	2.48	32.98	2.53
		95	23.91	2.34	25.57	2.43	27.24	2.52	28.00	2.55	30.57	2.59	32.23	2.64
		100	23.32	2.44	24.99	2.53	26.65	2.62	27.64	2.65	29.98	2.70	31.65	2.76
105	22.74	2.54	24.41	2.63	26.07	2.73	27.27	2.76	29.40	2.81	31.07	2.87		
110	22.16	2.64	23.82	2.74	25.49	2.84	26.69	2.87	28.82	2.92	30.49	2.98		
115	21.58	2.74	23.24	2.84	24.91	2.94	26.11	2.98	28.24	3.03	29.90	3.09		
118	21.23	2.80	22.89	2.90	24.56	3.01	25.76	3.04	27.89	3.10	29.55	3.16		
122	21.11	2.88	22.78	2.98	24.44	3.09	25.64	3.13	27.77	3.19	29.44	3.25		

#### Notes:

- Capacities are based on the following conditions.  
Corresponding refrigerant piping length : 25ft  
Level difference : 0ft
- TC : Total Capacity (kBtu/h)  
PI : Power Input (kW)
- indicates reference data. When operating at this temperature, these values can be different by discontinuous operation.

# 7. Capacity tables

Models : MR36TQY3JMA

■ Ducted type indoor unit

## Heating capacity

Operation	Combination Capacity Index (kBTu/h)	Outdoor Air Temp.		Indoor Air Temp.: °FDB											
				61		64		68		70		72		75	
		°F DB	°F WB	kBTu/h	kW	kBTu/h	kW	kBTu/h	kW	kBTu/h	kW	kBTu/h	kW	kBTu/h	kW
2 UNIT	9+9	-4	-4.4	6.97	1.48	6.55	1.54	6.45	1.56	6.36	1.57	6.29	1.58	6.02	1.64
		0	-0.4	7.94	1.51	7.52	1.56	7.37	1.59	7.26	1.60	7.17	1.61	6.87	1.67
		5	4.5	9.13	1.53	8.72	1.59	8.50	1.62	8.36	1.64	8.25	1.65	7.92	1.71
		10	9	10.23	1.55	9.82	1.61	9.54	1.65	9.38	1.67	9.24	1.69	8.88	1.74
		17	15	11.68	1.59	11.28	1.64	10.92	1.69	10.73	1.72	10.57	1.74	10.16	1.79
		20	19	12.66	1.61	12.25	1.66	11.84	1.71	11.62	1.75	11.45	1.77	11.01	1.82
		25	23	14.28	1.65	13.86	1.70	13.38	1.76	13.12	1.79	12.92	1.82	12.44	1.87
		30	28	15.92	1.69	15.43	1.75	14.90	1.80	14.62	1.84	14.41	1.88	13.88	1.92
		35	32	17.56	1.74	17.00	1.80	16.42	1.85	16.12	1.89	15.89	1.93	15.31	1.97
		40	36	18.45	1.79	17.93	1.85	17.36	1.91	17.06	1.95	16.82	1.98	16.21	2.03
		45	41	19.57	1.86	19.10	1.92	18.54	1.98	18.23	2.01	17.99	2.04	17.33	2.10
		47	43	20.02	1.88	19.57	1.94	19.01	2.01	18.70	2.04	18.45	2.07	17.78	2.13
		50	46	20.08	1.87	19.67	1.93	19.18	1.98	18.91	2.01	18.68	2.03	18.05	2.09
		55	51	20.17	1.85	19.84	1.90	19.47	1.94	19.25	1.96	19.07	1.98	18.51	2.02
		60	56	20.27	1.83	20.01	1.87	19.76	1.90	19.59	1.91	19.46	1.92	18.96	1.95
		63	59	20.33	1.82	20.11	1.85	19.94	1.87	19.80	1.88	19.69	1.89	19.23	1.91
		68	64	20.39	1.81	20.21	1.83	20.11	1.85	20.01	1.86	19.92	1.86	19.51	1.88
		9+12	-4	-4.4	8.13	1.67	7.64	1.74	7.53	1.76	7.42	1.77	7.34	1.78	7.03
	0		-0.4	9.27	1.70	8.78	1.76	8.60	1.79	8.47	1.81	8.37	1.82	8.02	1.88
	5		4.5	10.66	1.73	10.17	1.79	9.92	1.83	9.76	1.85	9.63	1.86	9.24	1.93
	10		9	11.93	1.75	11.45	1.81	11.13	1.86	10.94	1.88	10.79	1.90	10.36	1.96
	17		15	13.63	1.79	13.16	1.85	12.74	1.90	12.51	1.93	12.33	1.96	11.86	2.02
	20		19	14.77	1.81	14.30	1.87	13.82	1.93	13.56	1.97	13.36	2.00	12.85	2.05
	25		23	16.67	1.86	16.17	1.91	15.61	1.98	15.31	2.02	15.08	2.06	14.51	2.11
	30		28	18.58	1.91	18.00	1.97	17.38	2.03	17.06	2.08	16.81	2.11	16.19	2.17
	35		32	20.49	1.96	19.83	2.03	19.16	2.09	18.81	2.13	18.54	2.17	17.87	2.23
	40		36	21.53	2.02	20.93	2.09	20.26	2.15	19.91	2.19	19.63	2.23	18.92	2.29
	45		41	22.83	2.09	22.29	2.16	21.63	2.23	21.27	2.27	20.99	2.30	20.22	2.37
	47		43	23.36	2.12	22.83	2.19	22.18	2.26	21.82	2.30	21.53	2.33	20.75	2.40
	50		46	23.43	2.11	22.95	2.17	22.38	2.23	22.06	2.27	21.80	2.29	21.06	2.36
	55		51	23.54	2.09	23.15	2.14	22.72	2.19	22.46	2.21	22.25	2.23	21.59	2.28
	60		56	23.65	2.06	23.35	2.10	23.06	2.14	22.86	2.16	22.70	2.17	22.12	2.20
	63		59	23.72	2.05	23.46	2.08	23.26	2.11	23.10	2.12	22.97	2.13	22.44	2.16
	68		64	23.79	2.04	23.58	2.06	23.47	2.09	23.35	2.09	23.25	2.10	22.76	2.11
	12+12		-4	-4.4	9.29	1.83	8.73	1.90	8.60	1.92	8.48	1.93	8.38	1.94	8.03
		0	-0.4	10.59	1.85	10.03	1.92	9.83	1.95	9.68	1.97	9.56	1.98	9.17	2.05
		5	4.5	12.17	1.88	11.62	1.95	11.33	1.99	11.15	2.02	11.00	2.03	10.56	2.10
		10	9	13.63	1.91	13.08	1.98	12.72	2.03	12.50	2.06	12.32	2.08	11.84	2.14
		17	15	15.58	1.95	15.04	2.01	14.56	2.08	14.30	2.11	14.09	2.14	13.55	2.20
		20	19	16.87	1.98	16.34	2.04	15.79	2.11	15.50	2.15	15.26	2.18	14.68	2.24
		25	23	19.04	2.03	18.48	2.09	17.83	2.16	17.50	2.21	17.23	2.24	16.58	2.30
		30	28	21.22	2.08	20.57	2.15	19.86	2.22	19.50	2.27	19.20	2.31	18.50	2.37
		35	32	23.41	2.14	22.66	2.22	21.89	2.28	21.50	2.33	21.18	2.37	20.42	2.43
		40	36	24.60	2.20	23.91	2.28	23.15	2.35	22.74	2.40	22.42	2.43	21.61	2.50
		45	41	26.09	2.28	25.47	2.36	24.72	2.43	24.31	2.48	23.98	2.51	23.11	2.59
		47	43	26.69	2.31	26.09	2.39	25.34	2.47	24.93	2.51	24.60	2.54	23.70	2.62
		50	46	26.76	2.30	26.22	2.37	25.58	2.44	25.20	2.47	24.91	2.50	24.07	2.57
		55	51	26.89	2.28	26.45	2.33	25.96	2.39	25.66	2.41	25.42	2.44	24.67	2.49
		60	56	27.03	2.25	26.67	2.29	26.35	2.34	26.12	2.35	25.94	2.37	25.28	2.41
		63	59	27.10	2.24	26.81	2.27	26.58	2.31	26.39	2.32	26.25	2.33	25.64	2.36
		68	64	27.18	2.22	26.94	2.25	26.81	2.28	26.67	2.28	26.56	2.29	26.01	2.31
		9+18	-4	-4.4	10.45	2.01	9.82	2.09	9.68	2.11	9.54	2.13	9.43	2.14	9.03
	0		-0.4	11.91	2.04	11.28	2.11	11.06	2.15	10.89	2.17	10.76	2.18	10.31	2.26
	5		4.5	13.70	2.07	13.08	2.15	12.75	2.19	12.54	2.22	12.38	2.24	11.88	2.31
	10		9	15.34	2.10	14.72	2.18	14.31	2.23	14.06	2.26	13.87	2.29	13.32	2.36
	17		15	17.53	2.15	16.92	2.21	16.38	2.28	16.09	2.32	15.85	2.35	15.24	2.42
	20		19	18.99	2.17	18.38	2.24	17.77	2.32	17.44	2.36	17.17	2.40	16.52	2.46
	25		23	21.42	2.23	20.79	2.29	20.07	2.38	19.69	2.43	19.38	2.47	18.65	2.53
	30		28	23.88	2.29	23.14	2.37	22.35	2.44	21.94	2.49	21.61	2.54	20.81	2.60
	35		32	26.34	2.36	25.50	2.44	24.63	2.50	24.19	2.56	23.83	2.61	22.97	2.67
	40		36	27.68	2.42	26.90	2.51	26.04	2.58	25.59	2.63	25.23	2.68	24.32	2.75
	45		41	29.35	2.51	28.65	2.59	27.81	2.68	27.35	2.72	26.98	2.76	26.00	2.84
	47		43	30.03	2.54	29.35	2.63	28.52	2.71	28.05	2.76	27.68	2.80	26.67	2.88
	50		46	30.11	2.53	29.51	2.60	28.78	2.68	28.36	2.72	28.03	2.75	27.08	2.83
	55		51	30.26	2.50	29.76	2.56	29.21	2.62	28.87	2.65	28.61	2.68	27.76	2.74
	60		56	30.41	2.48	30.01	2.52	29.64	2.57	29.39	2.59	29.19	2.60	28.44	2.64
	63		59	30.50	2.46	30.16	2.50	29.90	2.54	29.70	2.55	29.53	2.56	28.85	2.59
	68		64	30.58	2.44	30.32	2.47	30.17	2.50	30.01	2.51	29.89	2.52	29.26	2.54

Part 2 Product data Outdoor units

# MULTI ZONE

## 7. Capacity tables

Models : MR36TQY3JMA

### ■ Ducted type indoor unit

#### Heating capacity

Operation	Combination Capacity Index (kBtu/h)	Outdoor Air Temp.		Indoor Air Temp.: °FDB													
				61		64		68		70		72		75			
				TC	PI	TC	PI	TC	PI	TC	PI	TC	PI	TC	PI		
2 UNIT	12 + 18	-4	-4.4	11.62	2.17	10.91	2.25	10.75	2.28	10.60	2.30	10.48	2.31	10.04	2.39		
		0	-0.4	13.24	2.20	12.54	2.28	12.29	2.32	12.10	2.34	11.95	2.36	11.46	2.44		
		5	4.5	15.22	2.24	14.53	2.32	14.17	2.37	13.94	2.39	13.75	2.41	13.20	2.49		
		10	9	17.05	2.27	16.36	2.35	15.90	2.41	15.63	2.44	15.41	2.47	14.80	2.55		
		17	15	19.48	2.32	18.80	2.39	18.21	2.47	17.88	2.51	17.61	2.54	16.94	2.61		
		20	19	21.10	2.35	20.42	2.42	19.74	2.50	19.38	2.55	19.08	2.59	18.36	2.66		
		25	23	23.81	2.41	23.10	2.48	22.30	2.57	21.88	2.62	21.54	2.66	20.73	2.73		
		30	28	26.54	2.48	25.72	2.56	24.83	2.64	24.38	2.69	24.01	2.74	23.13	2.81		
		35	32	29.26	2.54	28.33	2.63	27.37	2.70	26.88	2.77	26.48	2.82	25.53	2.88		
		40	36	30.76	2.62	29.89	2.71	28.94	2.79	28.44	2.84	28.04	2.89	27.02	2.97		
		45	41	32.62	2.71	31.84	2.80	30.90	2.89	30.39	2.94	29.98	2.98	28.89	3.07		
		47	43	33.37	2.75	32.62	2.84	31.69	2.93	31.17	2.98	30.76	3.02	29.64	3.11		
		50	46	33.46	2.73	32.79	2.81	31.98	2.89	31.51	2.94	31.14	2.97	30.09	3.05		
		55	51	33.63	2.70	33.07	2.77	32.46	2.83	32.09	2.87	31.79	2.89	30.85	2.95		
		60	56	33.79	2.67	33.35	2.72	32.94	2.77	32.66	2.80	32.43	2.81	31.60	2.86		
		63	59	33.89	2.66	33.52	2.70	33.23	2.74	33.00	2.75	32.82	2.76	32.06	2.80		
		68	64	33.99	2.64	33.69	2.67	33.52	2.70	33.35	2.71	33.21	2.72	32.52	2.74		
		18 + 18	-4	-4.4	12.67	2.26	11.90	2.35	11.73	2.38	11.57	2.40	11.43	2.41	10.95	2.50	
			0	-0.4	14.44	2.29	13.68	2.38	13.40	2.42	13.20	2.44	13.04	2.46	12.50	2.55	
			5	4.5	16.60	2.33	15.85	2.42	15.46	2.47	15.21	2.50	15.00	2.52	14.40	2.60	
			10	9	18.59	2.37	17.85	2.45	17.34	2.51	17.05	2.55	16.81	2.58	16.15	2.66	
			17	15	21.24	2.42	20.51	2.50	19.86	2.57	19.50	2.62	19.21	2.65	18.47	2.73	
			20	19	23.01	2.45	22.28	2.52	21.54	2.61	21.14	2.66	20.82	2.70	20.03	2.77	
			25	23	25.97	2.51	25.20	2.58	24.32	2.68	23.86	2.74	23.49	2.78	22.61	2.85	
	30		28	28.95	2.58	28.05	2.67	27.09	2.75	26.59	2.81	26.19	2.86	25.23	2.93		
	35		32	31.92	2.65	30.90	2.75	29.85	2.82	29.32	2.89	28.89	2.94	27.84	3.01		
	40		36	33.55	2.73	32.61	2.83	31.57	2.91	31.02	2.97	30.58	3.02	29.47	3.10		
	45		41	35.58	2.83	34.73	2.92	33.71	3.01	33.15	3.07	32.70	3.11	31.51	3.20		
	47		43	36.39	2.87	35.58	2.96	34.56	3.06	34.00	3.11	33.55	3.15	32.33	3.25		
	50		46	36.50	2.85	35.77	2.94	34.88	3.02	34.37	3.07	33.97	3.10	32.82	3.19		
	55		51	36.68	2.82	36.07	2.89	35.41	2.96	35.00	2.99	34.67	3.02	33.65	3.08		
	60		56	36.86	2.79	36.38	2.84	35.93	2.90	35.62	2.92	35.38	2.93	34.47	2.98		
	63		59	36.96	2.77	36.56	2.82	36.25	2.86	36.00	2.87	35.80	2.88	34.97	2.92		
	68		64	37.07	2.75	36.75	2.79	36.56	2.82	36.38	2.83	36.23	2.83	35.47	2.86		
	3 UNIT		9 + 9 + 9	-4	-4.4	10.45	1.92	9.82	2.00	9.68	2.02	9.54	2.03	9.43	2.05	9.03	2.12
				0	-0.4	11.91	1.95	11.28	2.02	11.06	2.05	10.89	2.07	10.76	2.09	10.31	2.16
				5	4.5	13.70	1.98	13.08	2.05	12.75	2.10	12.54	2.12	12.38	2.14	11.88	2.21
				10	9	15.34	2.01	14.72	2.08	14.31	2.13	14.06	2.16	13.87	2.19	13.32	2.26
				17	15	17.53	2.05	16.92	2.12	16.38	2.18	16.09	2.22	15.85	2.25	15.24	2.31
				20	19	18.99	2.08	18.38	2.14	17.77	2.22	17.44	2.26	17.17	2.29	16.52	2.35
				25	23	21.42	2.13	20.79	2.19	20.07	2.28	19.69	2.32	19.38	2.36	18.65	2.42
		30		28	23.88	2.19	23.14	2.26	22.35	2.33	21.94	2.39	21.61	2.43	20.81	2.49	
		35		32	26.34	2.25	25.50	2.33	24.63	2.39	24.19	2.45	23.83	2.49	22.97	2.56	
		40		36	27.68	2.32	26.90	2.40	26.04	2.47	25.59	2.52	25.23	2.56	24.32	2.63	
		45		41	29.35	2.40	28.65	2.48	27.81	2.56	27.35	2.61	26.98	2.64	26.00	2.72	
		47		43	30.03	2.43	29.35	2.51	28.52	2.60	28.05	2.64	27.68	2.68	26.67	2.76	
		50		46	30.11	2.42	29.51	2.49	28.78	2.56	28.36	2.60	28.03	2.63	27.08	2.70	
		55		51	30.26	2.39	29.76	2.45	29.21	2.51	28.87	2.54	28.61	2.56	27.76	2.62	
60		56		30.41	2.37	30.01	2.41	29.64	2.46	29.39	2.48	29.19	2.49	28.44	2.53		
63		59		30.50	2.35	30.16	2.39	29.90	2.43	29.70	2.44	29.53	2.45	28.85	2.48		
68		64		30.58	2.34	30.32	2.37	30.17	2.39	30.01	2.40	29.89	2.41	29.26	2.43		
9 + 9 + 12		-4		-4.4	11.62	2.04	10.91	2.12	10.75	2.14	10.60	2.16	10.48	2.17	10.04	2.25	
		0		-0.4	13.24	2.07	12.54	2.14	12.29	2.18	12.10	2.20	11.95	2.21	11.46	2.29	
		5		4.5	15.22	2.10	14.53	2.18	14.17	2.22	13.94	2.25	13.75	2.27	13.20	2.34	
		10		9	17.05	2.13	16.36	2.21	15.90	2.26	15.63	2.29	15.41	2.32	14.80	2.39	
		17		15	19.48	2.18	18.80	2.25	18.21	2.32	17.88	2.35	17.61	2.39	16.94	2.46	
		20		19	21.10	2.21	20.42	2.27	19.74	2.35	19.38	2.40	19.08	2.43	18.36	2.50	
		25		23	23.81	2.26	23.10	2.33	22.30	2.41	21.88	2.46	21.54	2.50	20.73	2.57	
		30	28	26.54	2.33	25.72	2.40	24.83	2.48	24.38	2.53	24.01	2.57	23.13	2.64		
		35	32	29.26	2.39	28.33	2.48	27.37	2.54	26.88	2.60	26.48	2.65	25.53	2.71		
		40	36	30.76	2.46	29.89	2.55	28.94	2.62	28.44	2.67	28.04	2.72	27.02	2.79		
		45	41	32.62	2.55	31.84	2.63	30.90	2.71	30.39	2.76	29.98	2.80	28.89	2.88		
		47	43	33.37	2.58	32.62	2.67	31.69	2.75	31.17	2.80	30.76	2.84	29.64	2.92		
		50	46	33.46	2.57	32.79	2.64	31.98	2.72	31.51	2.76	31.14	2.79	30.09	2.87		
		55	51	33.63	2.54	33.07	2.60	32.46	2.66	32.09	2.69	31.79	2.72	30.85	2.78		
		60	56	33.79	2.51	33.35	2.56	32.94	2.61	32.66	2.63	32.43	2.64	31.60	2.68		
		63	59	33.89	2.50	33.52	2.54	33.23	2.57	33.00	2.59	32.82	2.60	32.06	2.63		
		68	64	33.99	2.48	33.69	2.51	33.52	2.54	33.35	2.55	33.21	2.55	32.52	2.57		

Part 2 Product data\_ Outdoor units

# MULTI ZONE

## 7. Capacity tables

Models : MR36TQY3JMA

### ■ Ducted type indoor unit

#### Heating capacity

Operation	Combination Capacity Index (kBtu/h)	Outdoor Air Temp.		Indoor Air Temp.: °FDB											
				61		64		68		70		72		75	
				TC	PI	TC	PI	TC	PI	TC	PI	TC	PI	TC	PI
°F DB °F WB		kBtu/h	kW	kBtu/h	kW	kBtu/h	kW	kBtu/h	kW	kBtu/h	kW	kBtu/h	kW		
9 + 12 + 12		-4	-4.4	12.67	2.13	11.90	2.22	11.73	2.24	11.57	2.26	11.43	2.27	10.95	2.35
		0	-0.4	14.44	2.16	13.68	2.24	13.40	2.28	13.20	2.30	13.04	2.32	12.50	2.40
		5	4.5	16.60	2.20	15.85	2.28	15.46	2.33	15.21	2.35	15.00	2.37	14.40	2.45
		10	9	18.59	2.23	17.85	2.31	17.34	2.37	17.05	2.40	16.81	2.43	16.15	2.50
		17	15	21.24	2.28	20.51	2.35	19.86	2.42	19.50	2.46	19.21	2.50	18.47	2.57
		20	19	23.01	2.31	22.28	2.38	21.54	2.46	21.14	2.51	20.82	2.54	20.03	2.61
		25	23	25.97	2.37	25.20	2.43	24.32	2.53	23.86	2.58	23.49	2.62	22.61	2.69
		30	28	28.95	2.43	28.05	2.51	27.09	2.59	26.59	2.65	26.19	2.69	25.23	2.76
		35	32	31.92	2.50	30.90	2.59	29.85	2.66	29.32	2.72	28.89	2.77	27.84	2.84
		40	36	33.55	2.57	32.61	2.66	31.57	2.74	31.02	2.80	30.58	2.84	29.47	2.92
		45	41	35.58	2.67	34.73	2.75	33.71	2.84	33.15	2.89	32.70	2.93	31.51	3.02
		47	43	36.39	2.70	35.58	2.79	34.56	2.88	34.00	2.93	33.55	2.97	32.33	3.06
		50	46	36.50	2.68	35.77	2.77	34.88	2.85	34.37	2.89	33.97	2.92	32.82	3.00
		55	51	36.68	2.66	36.07	2.72	35.41	2.79	35.00	2.82	34.67	2.84	33.65	2.90
		60	56	36.86	2.63	36.38	2.68	35.93	2.73	35.62	2.75	35.38	2.76	34.47	2.81
		63	59	36.96	2.61	36.56	2.65	36.25	2.69	36.00	2.71	35.80	2.72	34.97	2.75
68	64	37.07	2.59	36.75	2.63	36.56	2.66	36.38	2.67	36.23	2.67	35.47	2.69		
9 + 9 + 18		-4	-4.4	12.67	2.13	11.90	2.22	11.73	2.24	11.57	2.26	11.43	2.27	10.95	2.35
		0	-0.4	14.44	2.16	13.68	2.24	13.40	2.28	13.20	2.30	13.04	2.32	12.50	2.40
		5	4.5	16.60	2.20	15.85	2.28	15.46	2.33	15.21	2.35	15.00	2.37	14.40	2.45
		10	9	18.59	2.23	17.85	2.31	17.34	2.37	17.05	2.40	16.81	2.43	16.15	2.50
		17	15	21.24	2.28	20.51	2.35	19.86	2.42	19.50	2.46	19.21	2.50	18.47	2.57
		20	19	23.01	2.31	22.28	2.38	21.54	2.46	21.14	2.51	20.82	2.54	20.03	2.61
		25	23	25.97	2.37	25.20	2.43	24.32	2.53	23.86	2.58	23.49	2.62	22.61	2.69
		30	28	28.95	2.43	28.05	2.51	27.09	2.59	26.59	2.65	26.19	2.69	25.23	2.76
		35	32	31.92	2.50	30.90	2.59	29.85	2.66	29.32	2.72	28.89	2.77	27.84	2.84
		40	36	33.55	2.57	32.61	2.66	31.57	2.74	31.02	2.80	30.58	2.84	29.47	2.92
		45	41	35.58	2.67	34.73	2.75	33.71	2.84	33.15	2.89	32.70	2.93	31.51	3.02
		47	43	36.39	2.70	35.58	2.79	34.56	2.88	34.00	2.93	33.55	2.97	32.33	3.06
		50	46	36.50	2.68	35.77	2.77	34.88	2.85	34.37	2.89	33.97	2.92	32.82	3.00
		55	51	36.68	2.66	36.07	2.72	35.41	2.79	35.00	2.82	34.67	2.84	33.65	2.90
		60	56	36.86	2.63	36.38	2.68	35.93	2.73	35.62	2.75	35.38	2.76	34.47	2.81
		63	59	36.96	2.61	36.56	2.65	36.25	2.69	36.00	2.71	35.80	2.72	34.97	2.75
68	64	37.07	2.59	36.75	2.63	36.56	2.66	36.38	2.67	36.23	2.67	35.47	2.69		
12 + 12 + 12		-4	-4.4	12.67	2.13	11.90	2.22	11.73	2.24	11.57	2.26	11.43	2.27	10.95	2.35
		0	-0.4	14.44	2.16	13.68	2.24	13.40	2.28	13.20	2.30	13.04	2.32	12.50	2.40
		5	4.5	16.60	2.20	15.85	2.28	15.46	2.33	15.21	2.35	15.00	2.37	14.40	2.45
		10	9	18.59	2.23	17.85	2.31	17.34	2.37	17.05	2.40	16.81	2.43	16.15	2.50
		17	15	21.24	2.28	20.51	2.35	19.86	2.42	19.50	2.46	19.21	2.50	18.47	2.57
		20	19	23.01	2.31	22.28	2.38	21.54	2.46	21.14	2.51	20.82	2.54	20.03	2.61
		25	23	25.97	2.37	25.20	2.43	24.32	2.53	23.86	2.58	23.49	2.62	22.61	2.69
		30	28	28.95	2.43	28.05	2.51	27.09	2.59	26.59	2.65	26.19	2.69	25.23	2.76
		35	32	31.92	2.50	30.90	2.59	29.85	2.66	29.32	2.72	28.89	2.77	27.84	2.84
		40	36	33.55	2.57	32.61	2.66	31.57	2.74	31.02	2.80	30.58	2.84	29.47	2.92
		45	41	35.58	2.67	34.73	2.75	33.71	2.84	33.15	2.89	32.70	2.93	31.51	3.02
		47	43	36.39	2.70	35.58	2.79	34.56	2.88	34.00	2.93	33.55	2.97	32.33	3.06
		50	46	36.50	2.68	35.77	2.77	34.88	2.85	34.37	2.89	33.97	2.92	32.82	3.00
		55	51	36.68	2.66	36.07	2.72	35.41	2.79	35.00	2.82	34.67	2.84	33.65	2.90
		60	56	36.86	2.63	36.38	2.68	35.93	2.73	35.62	2.75	35.38	2.76	34.47	2.81
		63	59	36.96	2.61	36.56	2.65	36.25	2.69	36.00	2.71	35.80	2.72	34.97	2.75
68	64	37.07	2.59	36.75	2.63	36.56	2.66	36.38	2.67	36.23	2.67	35.47	2.69		
9 + 12 + 18		-4	-4.4	12.67	2.13	11.90	2.22	11.73	2.24	11.57	2.26	11.43	2.27	10.95	2.35
		0	-0.4	14.44	2.16	13.68	2.24	13.40	2.28	13.20	2.30	13.04	2.32	12.50	2.40
		5	4.5	16.60	2.20	15.85	2.28	15.46	2.33	15.21	2.35	15.00	2.37	14.40	2.45
		10	9	18.59	2.23	17.85	2.31	17.34	2.37	17.05	2.40	16.81	2.43	16.15	2.50
		17	15	21.24	2.28	20.51	2.35	19.86	2.42	19.50	2.46	19.21	2.50	18.47	2.57
		20	19	23.01	2.31	22.28	2.38	21.54	2.46	21.14	2.51	20.82	2.54	20.03	2.61
		25	23	25.97	2.37	25.20	2.43	24.32	2.53	23.86	2.58	23.49	2.62	22.61	2.69
		30	28	28.95	2.43	28.05	2.51	27.09	2.59	26.59	2.65	26.19	2.69	25.23	2.76
		35	32	31.92	2.50	30.90	2.59	29.85	2.66	29.32	2.72	28.89	2.77	27.84	2.84
		40	36	33.55	2.57	32.61	2.66	31.57	2.74	31.02	2.80	30.58	2.84	29.47	2.92
		45	41	35.58	2.67	34.73	2.75	33.71	2.84	33.15	2.89	32.70	2.93	31.51	3.02
		47	43	36.39	2.70	35.58	2.79	34.56	2.88	34.00	2.93	33.55	2.97	32.33	3.06
		50	46	36.50	2.68	35.77	2.77	34.88	2.85	34.37	2.89	33.97	2.92	32.82	3.00
		55	51	36.68	2.66	36.07	2.72	35.41	2.79	35.00	2.82	34.67	2.84	33.65	2.90
		60	56	36.86	2.63	36.38	2.68	35.93	2.73	35.62	2.75	35.38	2.76	34.47	2.81
		63	59	36.96	2.61	36.56	2.65	36.25	2.69	36.00	2.71	35.80	2.72	34.97	2.75
68	64	37.07	2.59	36.75	2.63	36.56	2.66	36.38	2.67	36.23	2.67	35.47	2.69		

Part 2 Product data Outdoor units

# MULTI ZONE

## 7. Capacity tables

Models : MR36TQY3JMA

### ■ Ducted type indoor unit

#### Heating capacity

Operation	Combination Capacity Index (kBtu/h)	Outdoor Air Temp.		Indoor Air Temp.: °FDB											
				61		64		68		70		72		75	
				TC	PI	TC	PI	TC	PI	TC	PI	TC	PI	TC	PI
°F DB	°F WB	kBtu/h	kW	kBtu/h	kW	kBtu/h	kW	kBtu/h	kW	kBtu/h	kW	kBtu/h	kW		
12 + 12 + 18		-4	-4.4	12.67	2.13	11.90	2.22	11.73	2.24	11.57	2.26	11.43	2.27	10.95	2.35
		0	-0.4	14.44	2.16	13.68	2.24	13.40	2.28	13.20	2.30	13.04	2.32	12.50	2.40
		5	4.5	16.60	2.20	15.85	2.28	15.46	2.33	15.21	2.35	15.00	2.37	14.40	2.45
		10	9	18.59	2.23	17.85	2.31	17.34	2.37	17.05	2.40	16.81	2.43	16.15	2.50
		17	15	21.24	2.28	20.51	2.35	19.86	2.42	19.50	2.46	19.21	2.50	18.47	2.57
		20	19	23.01	2.31	22.28	2.38	21.54	2.46	21.14	2.51	20.82	2.54	20.03	2.61
		25	23	25.97	2.37	25.20	2.43	24.32	2.53	23.86	2.58	23.49	2.62	22.61	2.69
		30	28	28.95	2.43	28.05	2.51	27.09	2.59	26.59	2.65	26.19	2.69	25.23	2.76
		35	32	31.92	2.50	30.90	2.59	29.85	2.66	29.32	2.72	28.89	2.77	27.84	2.84
		40	36	33.55	2.57	32.61	2.66	31.57	2.74	31.02	2.80	30.58	2.84	29.47	2.92
		45	41	35.58	2.67	34.73	2.75	33.71	2.84	33.15	2.89	32.70	2.93	31.51	3.02
		47	43	36.39	2.70	35.58	2.79	34.56	2.88	34.00	2.93	33.55	2.97	32.33	3.06
		50	46	36.50	2.68	35.77	2.77	34.88	2.85	34.37	2.89	33.97	2.92	32.82	3.00
		55	51	36.68	2.66	36.07	2.72	35.41	2.79	35.00	2.82	34.67	2.84	33.65	2.90
		60	56	36.86	2.63	36.38	2.68	35.93	2.73	35.62	2.75	35.38	2.76	34.47	2.81
		63	59	36.96	2.61	36.56	2.65	36.25	2.69	36.00	2.71	35.80	2.72	34.97	2.75
		68	64	37.07	2.59	36.75	2.63	36.56	2.66	36.38	2.67	36.23	2.67	35.47	2.69
		9 + 18 + 18	3 UNIT	-4	-4.4	12.67	2.13	11.90	2.22	11.73	2.24	11.57	2.26	11.43	2.27
0	-0.4			14.44	2.16	13.68	2.24	13.40	2.28	13.20	2.30	13.04	2.32	12.50	2.40
5	4.5			16.60	2.20	15.85	2.28	15.46	2.33	15.21	2.35	15.00	2.37	14.40	2.45
10	9			18.59	2.23	17.85	2.31	17.34	2.37	17.05	2.40	16.81	2.43	16.15	2.50
17	15			21.24	2.28	20.51	2.35	19.86	2.42	19.50	2.46	19.21	2.50	18.47	2.57
20	19			23.01	2.31	22.28	2.38	21.54	2.46	21.14	2.51	20.82	2.54	20.03	2.61
25	23			25.97	2.37	25.20	2.43	24.32	2.53	23.86	2.58	23.49	2.62	22.61	2.69
30	28			28.95	2.43	28.05	2.51	27.09	2.59	26.59	2.65	26.19	2.69	25.23	2.76
35	32			31.92	2.50	30.90	2.59	29.85	2.66	29.32	2.72	28.89	2.77	27.84	2.84
40	36			33.55	2.57	32.61	2.66	31.57	2.74	31.02	2.80	30.58	2.84	29.47	2.92
45	41			35.58	2.67	34.73	2.75	33.71	2.84	33.15	2.89	32.70	2.93	31.51	3.02
47	43			36.39	2.70	35.58	2.79	34.56	2.88	34.00	2.93	33.55	2.97	32.33	3.06
50	46			36.50	2.68	35.77	2.77	34.88	2.85	34.37	2.89	33.97	2.92	32.82	3.00
55	51			36.68	2.66	36.07	2.72	35.41	2.79	35.00	2.82	34.67	2.84	33.65	2.90
60	56			36.86	2.63	36.38	2.68	35.93	2.73	35.62	2.75	35.38	2.76	34.47	2.81
63	59			36.96	2.61	36.56	2.65	36.25	2.69	36.00	2.71	35.80	2.72	34.97	2.75
68	64			37.07	2.59	36.75	2.63	36.56	2.66	36.38	2.67	36.23	2.67	35.47	2.69
12 + 18 + 18				-4	-4.4	12.67	2.13	11.90	2.22	11.73	2.24	11.57	2.26	11.43	2.27
		0	-0.4	14.44	2.16	13.68	2.24	13.40	2.28	13.20	2.30	13.04	2.32	12.50	2.40
		5	4.5	16.60	2.20	15.85	2.28	15.46	2.33	15.21	2.35	15.00	2.37	14.40	2.45
		10	9	18.59	2.23	17.85	2.31	17.34	2.37	17.05	2.40	16.81	2.43	16.15	2.50
		17	15	21.24	2.28	20.51	2.35	19.86	2.42	19.50	2.46	19.21	2.50	18.47	2.57
		20	19	23.01	2.31	22.28	2.38	21.54	2.46	21.14	2.51	20.82	2.54	20.03	2.61
		25	23	25.97	2.37	25.20	2.43	24.32	2.53	23.86	2.58	23.49	2.62	22.61	2.69
		30	28	28.95	2.43	28.05	2.51	27.09	2.59	26.59	2.65	26.19	2.69	25.23	2.76
		35	32	31.92	2.50	30.90	2.59	29.85	2.66	29.32	2.72	28.89	2.77	27.84	2.84
		40	36	33.55	2.57	32.61	2.66	31.57	2.74	31.02	2.80	30.58	2.84	29.47	2.92
		45	41	35.58	2.67	34.73	2.75	33.71	2.84	33.15	2.89	32.70	2.93	31.51	3.02
		47	43	36.39	2.70	35.58	2.79	34.56	2.88	34.00	2.93	33.55	2.97	32.33	3.06
		50	46	36.50	2.68	35.77	2.77	34.88	2.85	34.37	2.89	33.97	2.92	32.82	3.00
		55	51	36.68	2.66	36.07	2.72	35.41	2.79	35.00	2.82	34.67	2.84	33.65	2.90
		60	56	36.86	2.63	36.38	2.68	35.93	2.73	35.62	2.75	35.38	2.76	34.47	2.81
		63	59	36.96	2.61	36.56	2.65	36.25	2.69	36.00	2.71	35.80	2.72	34.97	2.75
		68	64	37.07	2.59	36.75	2.63	36.56	2.66	36.38	2.67	36.23	2.67	35.47	2.69
		9 + 9 + 9 + 9	4 UNIT	-4	-4.4	12.67	2.06	11.90	2.14	11.73	2.17	11.57	2.18	11.43	2.19
0	-0.4			14.44	2.09	13.68	2.17	13.40	2.20	13.20	2.22	13.04	2.24	12.50	2.32
5	4.5			16.60	2.12	15.85	2.20	15.46	2.25	15.21	2.27	15.00	2.29	14.40	2.37
10	9			18.59	2.16	17.85	2.23	17.34	2.29	17.05	2.32	16.81	2.34	16.15	2.42
17	15			21.24	2.20	20.51	2.27	19.86	2.34	19.50	2.38	19.21	2.41	18.47	2.48
20	19			23.01	2.23	22.28	2.30	21.54	2.38	21.14	2.42	20.82	2.46	20.03	2.52
25	23			25.97	2.28	25.20	2.35	24.32	2.44	23.86	2.49	23.49	2.53	22.61	2.60
30	28			28.95	2.35	28.05	2.43	27.09	2.50	26.59	2.56	26.19	2.60	25.23	2.67
35	32			31.92	2.42	30.90	2.50	29.85	2.57	29.32	2.63	28.89	2.67	27.84	2.74
40	36			33.55	2.49	32.61	2.57	31.57	2.64	31.02	2.70	30.58	2.74	29.47	2.82
45	41			35.58	2.57	34.73	2.66	33.71	2.74	33.15	2.79	32.70	2.83	31.51	2.92
47	43			36.39	2.61	35.58	2.70	34.56	2.78	34.00	2.83	33.55	2.87	32.33	2.95
50	46			36.50	2.59	35.77	2.67	34.88	2.75	34.37	2.79	33.97	2.82	32.82	2.90
55	51			36.68	2.57	36.07	2.63	35.41	2.69	35.00	2.72	34.67	2.75	33.65	2.81
60	56			36.86	2.54	36.38	2.59	35.93	2.63	35.62	2.65	35.38	2.67	34.47	2.71
63	59			36.96	2.52	36.56	2.56	36.25	2.60	36.00	2.61	35.80	2.62	34.97	2.66
68	64			37.07	2.51	36.75	2.54	36.56	2.57	36.38	2.57	36.23	2.58	35.47	2.60

Part 2 Product data\_ Outdoor units

# MULTI ZONE

## 7. Capacity tables

Models : MR36TQY3JMA

### ■ Ducted type indoor unit

#### Heating capacity

Operation	Combination Capacity Index (kBtu/h)	Outdoor Air Temp.		Indoor Air Temp.: °FDB											
				61		64		68		70		72		75	
				TC	PI	TC	PI	TC	PI	TC	PI	TC	PI	TC	PI
		°F DB	°F WB	kBtu/h	kW	kBtu/h	kW	kBtu/h	kW	kBtu/h	kW	kBtu/h	kW	kBtu/h	kW
4 UNIT	9+9+9+12	-4	-4.4	12.67	2.06	11.90	2.14	11.73	2.17	11.57	2.18	11.43	2.19	10.95	2.27
		0	-0.4	14.44	2.09	13.68	2.17	13.40	2.20	13.20	2.22	13.04	2.24	12.50	2.32
		5	4.5	16.60	2.12	15.85	2.20	15.46	2.25	15.21	2.27	15.00	2.29	14.40	2.37
		10	9	18.59	2.16	17.85	2.23	17.34	2.29	17.05	2.32	16.81	2.34	16.15	2.42
		17	15	21.24	2.20	20.51	2.27	19.86	2.34	19.50	2.38	19.21	2.41	18.47	2.48
		20	19	23.01	2.23	22.28	2.30	21.54	2.38	21.14	2.42	20.82	2.46	20.03	2.52
		25	23	25.97	2.28	25.20	2.35	24.32	2.44	23.86	2.49	23.49	2.53	22.61	2.60
		30	28	28.95	2.35	28.05	2.43	27.09	2.50	26.59	2.56	26.19	2.60	25.23	2.67
		35	32	31.92	2.42	30.90	2.50	29.85	2.57	29.32	2.63	28.89	2.67	27.84	2.74
		40	36	33.55	2.49	32.61	2.57	31.57	2.64	31.02	2.70	30.58	2.74	29.47	2.82
		45	41	35.58	2.57	34.73	2.66	33.71	2.74	33.15	2.79	32.70	2.83	31.51	2.92
		47	43	36.39	2.61	35.58	2.70	34.56	2.78	34.00	2.83	33.55	2.87	32.33	2.95
		50	46	36.50	2.59	35.77	2.67	34.88	2.75	34.37	2.79	33.97	2.82	32.82	2.90
		55	51	36.68	2.57	36.07	2.63	35.41	2.69	35.00	2.72	34.67	2.75	33.65	2.81
		60	56	36.86	2.54	36.38	2.59	35.93	2.63	35.62	2.65	35.38	2.67	34.47	2.71
		63	59	36.96	2.52	36.56	2.56	36.25	2.60	36.00	2.61	35.80	2.62	34.97	2.66
		68	64	37.07	2.51	36.75	2.54	36.56	2.57	36.38	2.57	36.23	2.58	35.47	2.60
		9+9+12+12	-4	-4.4	12.67	2.06	11.90	2.14	11.73	2.17	11.57	2.18	11.43	2.19	10.95
	0		-0.4	14.44	2.09	13.68	2.17	13.40	2.20	13.20	2.22	13.04	2.24	12.50	2.32
	5		4.5	16.60	2.12	15.85	2.20	15.46	2.25	15.21	2.27	15.00	2.29	14.40	2.37
	10		9	18.59	2.16	17.85	2.23	17.34	2.29	17.05	2.32	16.81	2.34	16.15	2.42
	17		15	21.24	2.20	20.51	2.27	19.86	2.34	19.50	2.38	19.21	2.41	18.47	2.48
	20		19	23.01	2.23	22.28	2.30	21.54	2.38	21.14	2.42	20.82	2.46	20.03	2.52
	25		23	25.97	2.28	25.20	2.35	24.32	2.44	23.86	2.49	23.49	2.53	22.61	2.60
	30		28	28.95	2.35	28.05	2.43	27.09	2.50	26.59	2.56	26.19	2.60	25.23	2.67
	35		32	31.92	2.42	30.90	2.50	29.85	2.57	29.32	2.63	28.89	2.67	27.84	2.74
	40		36	33.55	2.49	32.61	2.57	31.57	2.64	31.02	2.70	30.58	2.74	29.47	2.82
	45		41	35.58	2.57	34.73	2.66	33.71	2.74	33.15	2.79	32.70	2.83	31.51	2.92
	47		43	36.39	2.61	35.58	2.70	34.56	2.78	34.00	2.83	33.55	2.87	32.33	2.95
	50		46	36.50	2.59	35.77	2.67	34.88	2.75	34.37	2.79	33.97	2.82	32.82	2.90
	55		51	36.68	2.57	36.07	2.63	35.41	2.69	35.00	2.72	34.67	2.75	33.65	2.81
	60		56	36.86	2.54	36.38	2.59	35.93	2.63	35.62	2.65	35.38	2.67	34.47	2.71
	63		59	36.96	2.52	36.56	2.56	36.25	2.60	36.00	2.61	35.80	2.62	34.97	2.66
	68		64	37.07	2.51	36.75	2.54	36.56	2.57	36.38	2.57	36.23	2.58	35.47	2.60
	9+9+9+18		-4	-4.4	12.67	2.06	11.90	2.14	11.73	2.17	11.57	2.18	11.43	2.19	10.95
		0	-0.4	14.44	2.09	13.68	2.17	13.40	2.20	13.20	2.22	13.04	2.24	12.50	2.32
		5	4.5	16.60	2.12	15.85	2.20	15.46	2.25	15.21	2.27	15.00	2.29	14.40	2.37
		10	9	18.59	2.16	17.85	2.23	17.34	2.29	17.05	2.32	16.81	2.34	16.15	2.42
		17	15	21.24	2.20	20.51	2.27	19.86	2.34	19.50	2.38	19.21	2.41	18.47	2.48
		20	19	23.01	2.23	22.28	2.30	21.54	2.38	21.14	2.42	20.82	2.46	20.03	2.52
		25	23	25.97	2.28	25.20	2.35	24.32	2.44	23.86	2.49	23.49	2.53	22.61	2.60
		30	28	28.95	2.35	28.05	2.43	27.09	2.50	26.59	2.56	26.19	2.60	25.23	2.67
		35	32	31.92	2.42	30.90	2.50	29.85	2.57	29.32	2.63	28.89	2.67	27.84	2.74
		40	36	33.55	2.49	32.61	2.57	31.57	2.64	31.02	2.70	30.58	2.74	29.47	2.82
		45	41	35.58	2.57	34.73	2.66	33.71	2.74	33.15	2.79	32.70	2.83	31.51	2.92
		47	43	36.39	2.61	35.58	2.70	34.56	2.78	34.00	2.83	33.55	2.87	32.33	2.95
		50	46	36.50	2.59	35.77	2.67	34.88	2.75	34.37	2.79	33.97	2.82	32.82	2.90
		55	51	36.68	2.57	36.07	2.63	35.41	2.69	35.00	2.72	34.67	2.75	33.65	2.81
60		56	36.86	2.54	36.38	2.59	35.93	2.63	35.62	2.65	35.38	2.67	34.47	2.71	
63		59	36.96	2.52	36.56	2.56	36.25	2.60	36.00	2.61	35.80	2.62	34.97	2.66	
68		64	37.07	2.51	36.75	2.54	36.56	2.57	36.38	2.57	36.23	2.58	35.47	2.60	
9+12+12+12		-4	-4.4	12.67	2.06	11.90	2.14	11.73	2.17	11.57	2.18	11.43	2.19	10.95	2.27
	0	-0.4	14.44	2.09	13.68	2.17	13.40	2.20	13.20	2.22	13.04	2.24	12.50	2.32	
	5	4.5	16.60	2.12	15.85	2.20	15.46	2.25	15.21	2.27	15.00	2.29	14.40	2.37	
	10	9	18.59	2.16	17.85	2.23	17.34	2.29	17.05	2.32	16.81	2.34	16.15	2.42	
	17	15	21.24	2.20	20.51	2.27	19.86	2.34	19.50	2.38	19.21	2.41	18.47	2.48	
	20	19	23.01	2.23	22.28	2.30	21.54	2.38	21.14	2.42	20.82	2.46	20.03	2.52	
	25	23	25.97	2.28	25.20	2.35	24.32	2.44	23.86	2.49	23.49	2.53	22.61	2.60	
	30	28	28.95	2.35	28.05	2.43	27.09	2.50	26.59	2.56	26.19	2.60	25.23	2.67	
	35	32	31.92	2.42	30.90	2.50	29.85	2.57	29.32	2.63	28.89	2.67	27.84	2.74	
	40	36	33.55	2.49	32.61	2.57	31.57	2.64	31.02	2.70	30.58	2.74	29.47	2.82	
	45	41	35.58	2.57	34.73	2.66	33.71	2.74	33.15	2.79	32.70	2.83	31.51	2.92	
	47	43	36.39	2.61	35.58	2.70	34.56	2.78	34.00	2.83	33.55	2.87	32.33	2.95	
	50	46	36.50	2.59	35.77	2.67	34.88	2.75	34.37	2.79	33.97	2.82	32.82	2.90	
	55	51	36.68	2.57	36.07	2.63	35.41	2.69	35.00	2.72	34.67	2.75	33.65	2.81	
	60	56	36.86	2.54	36.38	2.59	35.93	2.63	35.62	2.65	35.38	2.67	34.47	2.71	
	63	59	36.96	2.52	36.56	2.56	36.25	2.60	36.00	2.61	35.80	2.62	34.97	2.66	
	68	64	37.07	2.51	36.75	2.54	36.56	2.57	36.38	2.57	36.23	2.58	35.47	2.60	

Part 2 Product data Outdoor units

# MULTI ZONE

## 7. Capacity tables

Models : MR36TQY3JMA

### ■ Ducted type indoor unit

#### Heating capacity

Operation	Combination Capacity Index (kBtu/h)	Outdoor Air Temp.		Indoor Air Temp.: °FDB											
				61		64		68		70		72		75	
				TC	PI	TC	PI	TC	PI	TC	PI	TC	PI	TC	PI
		°F DB	°F WB	kBtu/h	kW	kBtu/h	kW	kBtu/h	kW	kBtu/h	kW	kBtu/h	kW	kBtu/h	kW
4 UNIT	9+9+12+18	-4	-4.4	12.67	2.06	11.90	2.14	11.73	2.17	11.57	2.18	11.43	2.19	10.95	2.27
		0	-0.4	14.44	2.09	13.68	2.17	13.40	2.20	13.20	2.22	13.04	2.24	12.50	2.32
		5	4.5	16.60	2.12	15.85	2.20	15.46	2.25	15.21	2.27	15.00	2.29	14.40	2.37
		10	9	18.59	2.16	17.85	2.23	17.34	2.29	17.05	2.32	16.81	2.34	16.15	2.42
		17	15	21.24	2.20	20.51	2.27	19.86	2.34	19.50	2.38	19.21	2.41	18.47	2.48
		20	19	23.01	2.23	22.28	2.30	21.54	2.38	21.14	2.42	20.82	2.46	20.03	2.52
		25	23	25.97	2.28	25.20	2.35	24.32	2.44	23.86	2.49	23.49	2.53	22.61	2.60
		30	28	28.95	2.35	28.05	2.43	27.09	2.50	26.59	2.56	26.19	2.60	25.23	2.67
		35	32	31.92	2.42	30.90	2.50	29.85	2.57	29.32	2.63	28.89	2.67	27.84	2.74
		40	36	33.55	2.49	32.61	2.57	31.57	2.64	31.02	2.70	30.58	2.74	29.47	2.82
		45	41	35.58	2.57	34.73	2.66	33.71	2.74	33.15	2.79	32.70	2.83	31.51	2.92
		47	43	36.39	2.61	35.58	2.70	34.56	2.78	34.00	2.83	33.55	2.87	32.33	2.95
		50	46	36.50	2.59	35.77	2.67	34.88	2.75	34.37	2.79	33.97	2.82	32.82	2.90
		55	51	36.68	2.57	36.07	2.63	35.41	2.69	35.00	2.72	34.67	2.75	33.65	2.81
		60	56	36.86	2.54	36.38	2.59	35.93	2.63	35.62	2.65	35.38	2.67	34.47	2.71
		63	59	36.96	2.52	36.56	2.56	36.25	2.60	36.00	2.61	35.80	2.62	34.97	2.66
		68	64	37.07	2.51	36.75	2.54	36.56	2.57	36.38	2.57	36.23	2.58	35.47	2.60
		12+12+12+12	-4	-4.4	12.67	2.06	11.90	2.14	11.73	2.17	11.57	2.18	11.43	2.19	10.95
	0		-0.4	14.44	2.09	13.68	2.17	13.40	2.20	13.20	2.22	13.04	2.24	12.50	2.32
	5		4.5	16.60	2.12	15.85	2.20	15.46	2.25	15.21	2.27	15.00	2.29	14.40	2.37
	10		9	18.59	2.16	17.85	2.23	17.34	2.29	17.05	2.32	16.81	2.34	16.15	2.42
	17		15	21.24	2.20	20.51	2.27	19.86	2.34	19.50	2.38	19.21	2.41	18.47	2.48
	20		19	23.01	2.23	22.28	2.30	21.54	2.38	21.14	2.42	20.82	2.46	20.03	2.52
	25		23	25.97	2.28	25.20	2.35	24.32	2.44	23.86	2.49	23.49	2.53	22.61	2.60
	30		28	28.95	2.35	28.05	2.43	27.09	2.50	26.59	2.56	26.19	2.60	25.23	2.67
	35		32	31.92	2.42	30.90	2.50	29.85	2.57	29.32	2.63	28.89	2.67	27.84	2.74
	40		36	33.55	2.49	32.61	2.57	31.57	2.64	31.02	2.70	30.58	2.74	29.47	2.82
	45		41	35.58	2.57	34.73	2.66	33.71	2.74	33.15	2.79	32.70	2.83	31.51	2.92
	47		43	36.39	2.61	35.58	2.70	34.56	2.78	34.00	2.83	33.55	2.87	32.33	2.95
	50		46	36.50	2.59	35.77	2.67	34.88	2.75	34.37	2.79	33.97	2.82	32.82	2.90
	55		51	36.68	2.57	36.07	2.63	35.41	2.69	35.00	2.72	34.67	2.75	33.65	2.81
	60		56	36.86	2.54	36.38	2.59	35.93	2.63	35.62	2.65	35.38	2.67	34.47	2.71
	63		59	36.96	2.52	36.56	2.56	36.25	2.60	36.00	2.61	35.80	2.62	34.97	2.66
	68	64	37.07	2.51	36.75	2.54	36.56	2.57	36.38	2.57	36.23	2.58	35.47	2.60	

#### Notes:

- Capacities are based on the following conditions.  
Corresponding refrigerant piping length : 25ft  
Level difference : 0ft
- TC : Total Capacity (kBtu/h)  
PI : Power Input (kW)

# MULTI ZONE

## 7. Capacity tables

Models : MR36TQY3JMA

### ■ Mixed type indoor unit

#### Cooling capacity

Operation	Combination Capacity Index	Outdoor Air Temp.: °FDB	Indoor Air Temp. °F DB / °F WB											
			68 / 57		73 / 61		77 / 64		80 / 67		86 / 72		90 / 75	
			TC	PI	TC	PI	TC	PI	TC	PI	TC	PI	TC	PI
			kBtu/h	kW	kBtu/h	kW	kBtu/h	kW	kBtu/h	kW	kBtu/h	kW	kBtu/h	kW
2 UNITS	9 + 9	14	16.54	1.10	17.57	1.14	18.60	1.18	19.34	1.19	20.65	1.21	21.68	1.24
		20	16.53	1.11	17.56	1.15	18.58	1.19	19.32	1.21	20.64	1.23	21.66	1.25
		25	16.52	1.13	17.54	1.17	18.57	1.21	19.31	1.22	20.62	1.25	21.65	1.27
		30	16.50	1.14	17.53	1.18	18.55	1.23	19.29	1.24	20.60	1.26	21.63	1.29
		35	16.49	1.16	17.52	1.20	18.54	1.24	19.28	1.26	20.59	1.28	21.61	1.31
		40	16.48	1.17	17.50	1.22	18.53	1.26	19.27	1.28	20.57	1.30	21.60	1.33
		45	16.47	1.19	17.49	1.23	18.51	1.28	19.25	1.29	20.56	1.32	21.58	1.34
		50	16.45	1.21	17.48	1.25	18.50	1.29	19.24	1.31	20.54	1.33	21.56	1.36
		55	16.44	1.22	17.46	1.27	18.48	1.31	19.22	1.33	20.53	1.35	21.55	1.38
		60	16.43	1.24	17.45	1.28	18.47	1.33	19.21	1.34	20.51	1.37	21.53	1.40
		65	16.42	1.25	17.44	1.30	18.46	1.35	19.19	1.36	20.49	1.39	21.51	1.41
		70	16.40	1.27	17.42	1.31	18.44	1.36	19.18	1.38	20.48	1.40	21.50	1.43
		75	16.01	1.34	17.03	1.39	18.04	1.44	18.78	1.45	20.07	1.48	21.09	1.51
		80	15.61	1.41	16.63	1.46	17.64	1.51	18.37	1.53	19.67	1.56	20.68	1.59
		85	15.22	1.47	16.23	1.53	17.25	1.58	17.98	1.60	19.27	1.63	20.28	1.66
		90	14.83	1.54	15.84	1.60	16.85	1.66	17.58	1.68	18.87	1.71	19.88	1.74
		95	14.41	1.61	15.41	1.67	16.41	1.73	16.88	1.75	18.42	1.78	19.43	1.82
		100	14.06	1.68	15.06	1.74	16.06	1.80	16.66	1.82	18.07	1.86	19.07	1.90
		105	13.71	1.75	14.71	1.81	15.71	1.88	16.44	1.90	17.72	1.93	18.72	1.97
		110	13.35	1.82	14.36	1.88	15.36	1.95	16.09	1.97	17.37	2.01	18.37	2.05
		115	13.00	1.88	14.01	1.95	15.01	2.02	15.74	2.05	17.02	2.09	18.02	2.13
		118	12.79	1.93	13.80	2.00	14.80	2.07	15.53	2.09	16.81	2.13	17.81	2.17
		122	12.72	1.98	13.73	2.05	14.73	2.13	15.46	2.15	16.74	2.19	17.74	2.24
		14	19.30	1.25	20.50	1.30	21.70	1.35	22.56	1.36	24.09	1.39	25.29	1.42
	20	19.29	1.27	20.48	1.32	21.68	1.37	22.55	1.38	24.08	1.41	25.27	1.44	
	25	19.27	1.29	20.47	1.34	21.66	1.39	22.53	1.40	24.06	1.43	25.25	1.46	
	30	19.26	1.31	20.45	1.36	21.65	1.41	22.51	1.42	24.04	1.45	25.24	1.48	
	35	19.24	1.33	20.44	1.37	21.63	1.42	22.49	1.44	24.02	1.47	25.22	1.50	
	40	19.23	1.34	20.42	1.39	21.61	1.44	22.48	1.46	24.00	1.49	25.20	1.52	
	45	19.21	1.36	20.40	1.41	21.60	1.46	22.46	1.48	23.98	1.51	25.18	1.54	
	50	19.20	1.38	20.39	1.43	21.58	1.48	22.44	1.50	23.97	1.53	25.16	1.56	
	55	19.18	1.40	20.37	1.45	21.56	1.50	22.43	1.52	23.95	1.55	25.14	1.58	
	60	19.17	1.42	20.36	1.47	21.55	1.52	22.41	1.54	23.93	1.57	25.12	1.60	
	65	19.15	1.43	20.34	1.49	21.53	1.54	22.39	1.56	23.91	1.59	25.10	1.62	
	70	19.14	1.45	20.33	1.51	21.52	1.56	22.37	1.58	23.89	1.61	25.08	1.64	
	75	18.68	1.53	19.86	1.59	21.05	1.64	21.91	1.66	23.42	1.69	24.61	1.73	
	80	18.22	1.61	19.40	1.67	20.58	1.73	21.44	1.75	22.95	1.78	24.13	1.82	
	85	17.76	1.69	18.94	1.75	20.12	1.81	20.97	1.83	22.48	1.87	23.66	1.91	
	90	17.30	1.77	18.48	1.83	19.66	1.90	20.51	1.92	22.01	1.95	23.19	1.99	
	95	16.81	1.84	17.98	1.91	19.15	1.98	19.69	2.00	21.49	2.04	22.66	2.08	
	100	16.40	1.92	17.57	1.99	18.74	2.07	19.43	2.09	21.08	2.13	22.25	2.17	
	105	15.99	2.00	17.16	2.07	18.33	2.15	19.18	2.17	20.67	2.22	21.85	2.26	
	110	15.58	2.08	16.75	2.16	17.92	2.23	18.77	2.26	20.26	2.30	21.44	2.35	
	115	15.17	2.16	16.34	2.24	17.51	2.32	18.36	2.34	19.86	2.39	21.03	2.44	
	118	14.93	2.20	16.10	2.28	17.27	2.37	18.11	2.40	19.61	2.44	20.78	2.49	
	122	14.84	2.27	16.02	2.35	17.19	2.44	18.03	2.46	19.53	2.51	20.70	2.56	
	14	22.06	1.39	23.43	1.44	24.80	1.49	25.79	1.51	27.54	1.54	28.91	1.57	
	20	22.04	1.41	23.41	1.46	24.78	1.51	25.77	1.53	27.51	1.56	28.88	1.59	
	25	22.02	1.43	23.39	1.48	24.76	1.53	25.75	1.55	27.49	1.58	28.86	1.61	
	30	22.01	1.45	23.37	1.50	24.74	1.55	25.73	1.57	27.47	1.60	28.84	1.63	
	35	21.99	1.47	23.36	1.52	24.72	1.58	25.71	1.59	27.45	1.62	28.82	1.66	
	40	21.97	1.49	23.34	1.54	24.70	1.60	25.69	1.62	27.43	1.65	28.80	1.68	
	45	21.96	1.51	23.32	1.56	24.68	1.62	25.67	1.64	27.41	1.67	28.77	1.70	
	50	21.94	1.53	23.30	1.58	24.66	1.64	25.65	1.66	27.39	1.69	28.75	1.72	
	55	21.92	1.55	23.28	1.60	24.65	1.66	25.63	1.68	27.37	1.71	28.73	1.75	
	60	21.91	1.57	23.27	1.62	24.63	1.68	25.61	1.70	27.35	1.73	28.71	1.77	
	65	21.89	1.59	23.25	1.64	24.61	1.70	25.59	1.72	27.33	1.76	28.69	1.79	
	70	21.87	1.61	23.23	1.67	24.59	1.73	25.57	1.75	27.30	1.78	28.66	1.81	
	75	21.35	1.69	22.70	1.76	24.06	1.82	25.03	1.84	26.77	1.87	28.12	1.91	
	80	20.82	1.78	22.17	1.85	23.52	1.91	24.50	1.93	26.23	1.97	27.58	2.01	
	85	20.30	1.87	21.65	1.93	22.99	2.01	23.97	2.03	25.69	2.07	27.04	2.11	
	90	19.78	1.95	21.12	2.02	22.47	2.10	23.44	2.12	25.16	2.16	26.50	2.21	
	95	19.21	2.04	20.55	2.11	21.89	2.19	22.90	2.22	24.56	2.26	25.90	2.30	
	100	18.74	2.13	20.08	2.20	21.42	2.28	22.21	2.31	24.09	2.35	25.43	2.40	
	105	18.27	2.21	19.61	2.29	20.95	2.38	21.92	2.41	23.63	2.45	24.97	2.50	
	110	17.81	2.30	19.14	2.38	20.48	2.47	21.45	2.50	23.16	2.55	24.50	2.60	
	115	17.34	2.39	18.68	2.47	20.01	2.56	20.98	2.59	22.69	2.64	24.03	2.70	
	118	17.06	2.44	18.40	2.53	19.73	2.62	20.70	2.65	22.41	2.70	23.75	2.75	
	122	16.96	2.51	18.30	2.60	19.64	2.69	20.61	2.73	22.32	2.78	23.66	2.83	

# MULTI ZONE

## 7. Capacity tables

Models : MR36TQY3JMA

### ■ Mixed type indoor unit

#### Cooling capacity

Operation	Combination Capacity Index	Outdoor Air Temp.: °FDB	Indoor Air Temp. °F DB / °F WB											
			68 / 57		73 / 61		77 / 64		80 / 67		86 / 72		90 / 75	
			TC	PI	TC	PI	TC	PI	TC	PI	TC	PI	TC	PI
			kBtu/h	kW	kBtu/h	kW	kBtu/h	kW	kBtu/h	kW	kBtu/h	kW	kBtu/h	kW
2 UNITS	9 + 18	14	24.81	1.54	26.36	1.60	27.90	1.66	29.01	1.67	30.98	1.71	32.52	1.74
		20	24.80	1.56	26.34	1.62	27.88	1.68	28.99	1.70	30.95	1.73	32.49	1.77
		25	24.78	1.58	26.32	1.64	27.85	1.70	28.97	1.72	30.93	1.75	32.47	1.79
		30	24.76	1.61	26.30	1.67	27.83	1.73	28.94	1.75	30.91	1.78	32.45	1.82
		35	24.74	1.63	26.27	1.69	27.81	1.75	28.92	1.77	30.88	1.80	32.42	1.84
		40	24.72	1.65	26.25	1.71	27.79	1.77	28.90	1.79	30.86	1.83	32.40	1.87
		45	24.70	1.67	26.23	1.73	27.77	1.80	28.88	1.82	30.84	1.85	32.37	1.89
		50	24.68	1.70	26.21	1.76	27.75	1.82	28.85	1.84	30.81	1.88	32.35	1.92
		55	24.66	1.72	26.19	1.78	27.73	1.85	28.83	1.87	30.79	1.90	32.32	1.94
		60	24.64	1.74	26.17	1.80	27.70	1.87	28.81	1.89	30.77	1.93	32.30	1.97
		65	24.62	1.76	26.15	1.83	27.68	1.89	28.79	1.91	30.74	1.95	32.27	1.99
		70	24.61	1.78	26.13	1.85	27.66	1.92	28.77	1.94	30.72	1.98	32.25	2.02
		75	24.01	1.88	25.54	1.95	27.06	2.02	28.16	2.04	30.11	2.08	31.64	2.12
		80	23.42	1.98	24.94	2.05	26.46	2.12	27.56	2.15	29.50	2.19	31.02	2.23
		85	22.83	2.07	24.35	2.15	25.87	2.23	26.96	2.25	28.90	2.29	30.42	2.34
		90	22.25	2.17	23.76	2.25	25.27	2.33	26.37	2.36	28.30	2.40	29.81	2.45
		95	21.61	2.27	23.12	2.35	24.62	2.43	25.31	2.46	27.63	2.51	29.14	2.56
		100	21.08	2.36	22.59	2.45	24.10	2.54	24.99	2.57	27.11	2.61	28.61	2.67
		105	20.56	2.46	22.06	2.55	23.57	2.64	24.66	2.67	26.58	2.72	28.09	2.78
		110	20.03	2.55	21.54	2.65	23.04	2.74	24.13	2.78	26.05	2.83	27.56	2.88
		115	19.51	2.65	21.01	2.75	22.52	2.85	23.60	2.88	25.53	2.93	27.03	2.99
		118	19.19	2.71	20.70	2.81	22.20	2.91	23.29	2.94	25.21	3.00	26.72	3.06
		122	19.09	2.79	20.59	2.89	22.10	2.99	23.18	3.03	25.11	3.08	26.61	3.15
		14	27.57	1.67	29.28	1.74	31.00	1.80	32.23	1.82	34.42	1.85	36.13	1.89
	20	27.55	1.70	29.26	1.76	30.97	1.82	32.21	1.85	34.39	1.88	36.10	1.92	
	25	27.53	1.72	29.24	1.78	30.95	1.85	32.18	1.87	34.37	1.91	36.08	1.94	
	30	27.51	1.75	29.22	1.81	30.92	1.88	32.16	1.90	34.34	1.93	36.05	1.97	
	35	27.49	1.77	29.19	1.83	30.90	1.90	32.13	1.92	34.31	1.96	36.02	2.00	
	40	27.47	1.79	29.17	1.86	30.88	1.93	32.11	1.95	34.29	1.99	35.99	2.03	
	45	27.44	1.82	29.15	1.88	30.85	1.95	32.08	1.98	34.26	2.01	35.97	2.05	
	50	27.42	1.84	29.13	1.91	30.83	1.98	32.06	2.00	34.24	2.04	35.94	2.08	
	55	27.40	1.87	29.10	1.93	30.81	2.01	32.04	2.03	34.21	2.07	35.91	2.11	
	60	27.38	1.89	29.08	1.96	30.78	2.03	32.01	2.05	34.18	2.09	35.88	2.14	
	65	27.36	1.91	29.06	1.98	30.76	2.06	31.99	2.08	34.16	2.12	35.86	2.16	
	70	27.34	1.94	29.04	2.01	30.74	2.08	31.96	2.11	34.13	2.15	35.83	2.19	
	75	26.68	2.04	28.38	2.12	30.07	2.20	31.29	2.22	33.46	2.26	35.15	2.31	
	80	26.02	2.15	27.71	2.23	29.40	2.31	30.62	2.33	32.78	2.38	34.47	2.43	
	85	25.37	2.25	27.06	2.33	28.74	2.42	29.96	2.45	32.11	2.49	33.80	2.54	
	90	24.72	2.36	26.40	2.44	28.08	2.53	29.30	2.56	31.44	2.61	33.13	2.66	
	95	24.01	2.46	25.68	2.55	27.36	2.64	28.13	2.68	30.70	2.73	32.38	2.78	
	100	23.43	2.57	25.10	2.66	26.77	2.76	27.76	2.79	30.12	2.84	31.79	2.90	
	105	22.84	2.67	24.52	2.77	26.19	2.87	27.40	2.90	29.53	2.96	31.21	3.02	
	110	22.26	2.78	23.93	2.88	25.60	2.98	26.81	3.02	28.95	3.07	30.62	3.13	
	115	21.67	2.88	23.35	2.98	25.02	3.09	26.23	3.13	28.36	3.19	30.04	3.25	
	118	21.32	2.94	22.99	3.05	24.67	3.16	25.88	3.20	28.01	3.26	29.69	3.32	
	122	21.21	3.03	22.88	3.14	24.55	3.25	25.76	3.29	27.90	3.35	29.57	3.42	
	14	29.41	1.76	31.24	1.82	33.06	1.89	34.38	1.91	36.71	1.94	38.54	1.98	
	20	29.39	1.78	31.21	1.85	33.04	1.91	34.35	1.94	36.69	1.97	38.51	2.01	
	25	29.36	1.81	31.19	1.87	33.01	1.94	34.33	1.96	36.66	2.00	38.48	2.04	
	30	29.34	1.83	31.16	1.90	32.99	1.97	34.30	1.99	36.63	2.03	38.45	2.07	
	35	29.32	1.86	31.14	1.93	32.96	2.00	34.28	2.02	36.60	2.06	38.42	2.10	
	40	29.30	1.88	31.12	1.95	32.94	2.02	34.25	2.05	36.57	2.08	38.39	2.13	
	45	29.27	1.91	31.09	1.98	32.91	2.05	34.22	2.07	36.55	2.11	38.36	2.15	
	50	29.25	1.93	31.07	2.00	32.89	2.08	34.20	2.10	36.52	2.14	38.34	2.18	
	55	29.23	1.96	31.04	2.03	32.86	2.10	34.17	2.13	36.49	2.17	38.31	2.21	
	60	29.21	1.98	31.02	2.06	32.83	2.13	34.14	2.16	36.46	2.20	38.28	2.24	
	65	29.18	2.01	31.00	2.08	32.81	2.16	34.12	2.18	36.43	2.22	38.25	2.27	
	70	29.16	2.03	30.97	2.11	32.78	2.19	34.09	2.21	36.41	2.25	38.22	2.30	
	75	28.46	2.14	30.27	2.22	32.07	2.30	33.38	2.33	35.69	2.37	37.49	2.42	
	80	27.76	2.25	29.56	2.34	31.36	2.42	32.66	2.45	34.97	2.50	36.77	2.55	
	85	27.06	2.36	28.86	2.45	30.66	2.54	31.96	2.57	34.25	2.62	36.05	2.67	
	90	26.37	2.47	28.16	2.56	29.95	2.66	31.25	2.69	33.54	2.74	35.33	2.79	
	95	25.61	2.58	27.40	2.68	29.18	2.78	30.00	2.81	32.75	2.86	34.53	2.92	
	100	24.99	2.69	26.77	2.79	28.56	2.89	29.61	2.93	32.13	2.98	33.91	3.04	
	105	24.37	2.80	26.15	2.90	27.93	3.01	29.22	3.05	31.50	3.10	33.29	3.16	
	110	23.74	2.91	25.53	3.02	27.31	3.13	28.60	3.16	30.88	3.22	32.66	3.29	
	115	23.12	3.02	24.90	3.13	26.69	3.25	27.98	3.28	30.26	3.35	32.04	3.41	
	118	22.74	3.09	24.53	3.20	26.31	3.32	27.60	3.36	29.88	3.42	31.67	3.49	
	122	22.62	3.18	24.40	3.29	26.19	3.41	27.48	3.45	29.76	3.52	31.54	3.59	

Part 2 Product data\_ Outdoor units

# MULTI ZONE

## 7. Capacity tables

Models : MR36TQY3JMA

### ■ Mixed type indoor unit

#### Cooling capacity

Operation	Combination Capacity Index	Outdoor Air Temp.: °FDB	Indoor Air Temp. °F DB / °F WB											
			68 / 57		73 / 61		77 / 64		80 / 67		86 / 72		90 / 75	
			TC	PI	TC	PI	TC	PI	TC	PI	TC	PI	TC	PI
			kBtu/h	kW	kBtu/h	kW	kBtu/h	kW	kBtu/h	kW	kBtu/h	kW	kBtu/h	kW
3 UNITS	9 + 9 + 9	14	24.81	1.46	26.36	1.52	27.90	1.57	29.01	1.59	30.98	1.62	32.52	1.65
		20	24.80	1.48	26.34	1.54	27.88	1.60	28.99	1.61	30.95	1.64	32.49	1.68
		25	24.78	1.51	26.32	1.56	27.85	1.62	28.97	1.64	30.93	1.67	32.47	1.70
		30	24.76	1.53	26.30	1.58	27.83	1.64	28.94	1.66	30.91	1.69	32.45	1.72
		35	24.74	1.55	26.27	1.60	27.81	1.66	28.92	1.68	30.88	1.71	32.42	1.75
		40	24.72	1.57	26.25	1.63	27.79	1.69	28.90	1.70	30.86	1.74	32.40	1.77
		45	24.70	1.59	26.23	1.65	27.77	1.71	28.88	1.73	30.84	1.76	32.37	1.80
		50	24.68	1.61	26.21	1.67	27.75	1.73	28.85	1.75	30.81	1.78	32.35	1.82
		55	24.66	1.63	26.19	1.69	27.73	1.75	28.83	1.77	30.79	1.81	32.32	1.84
		60	24.64	1.65	26.17	1.71	27.70	1.78	28.81	1.80	30.77	1.83	32.30	1.87
		65	24.62	1.67	26.15	1.74	27.68	1.80	28.79	1.82	30.74	1.85	32.27	1.89
		70	24.61	1.70	26.13	1.76	27.66	1.82	28.77	1.84	30.72	1.88	32.25	1.91
		75	24.01	1.79	25.54	1.85	27.06	1.92	28.16	1.94	30.11	1.98	31.64	2.02
		80	23.42	1.88	24.94	1.95	26.46	2.02	27.56	2.04	29.50	2.08	31.02	2.12
		85	22.83	1.97	24.35	2.04	25.87	2.12	26.96	2.14	28.90	2.18	30.42	2.22
		90	22.25	2.06	23.76	2.14	25.27	2.21	26.37	2.24	28.30	2.28	29.81	2.33
		95	21.61	2.15	23.12	2.23	24.62	2.31	25.31	2.34	27.63	2.38	29.14	2.43
		100	21.08	2.24	22.59	2.33	24.10	2.41	24.99	2.44	27.11	2.48	28.61	2.53
	105	20.56	2.34	22.06	2.42	23.57	2.51	24.66	2.54	26.58	2.59	28.09	2.64	
	110	20.03	2.43	21.54	2.52	23.04	2.61	24.13	2.64	26.05	2.69	27.56	2.74	
	115	19.51	2.52	21.01	2.61	22.52	2.71	23.60	2.74	25.53	2.79	27.03	2.84	
	118	19.19	2.57	20.70	2.67	22.20	2.76	23.29	2.80	25.21	2.85	26.72	2.91	
	122	19.09	2.65	20.59	2.74	22.10	2.84	23.18	2.88	25.11	2.93	26.61	2.99	
	9 + 9 + 12	14	27.57	1.57	29.28	1.62	31.00	1.68	32.23	1.70	34.42	1.73	36.13	1.77
		20	27.55	1.59	29.26	1.65	30.97	1.71	32.21	1.73	34.39	1.76	36.10	1.79
		25	27.53	1.61	29.24	1.67	30.95	1.73	32.18	1.75	34.37	1.78	36.08	1.82
		30	27.51	1.63	29.22	1.69	30.92	1.75	32.16	1.77	34.34	1.81	36.05	1.84
		35	27.49	1.66	29.19	1.72	30.90	1.78	32.13	1.80	34.31	1.83	36.02	1.87
		40	27.47	1.68	29.17	1.74	30.88	1.80	32.11	1.82	34.29	1.86	35.99	1.90
		45	27.44	1.70	29.15	1.76	30.85	1.83	32.08	1.85	34.26	1.88	35.97	1.92
		50	27.42	1.72	29.13	1.79	30.83	1.85	32.06	1.87	34.24	1.91	35.94	1.95
		55	27.40	1.75	29.10	1.81	30.81	1.88	32.04	1.90	34.21	1.93	35.91	1.97
		60	27.38	1.77	29.08	1.83	30.78	1.90	32.01	1.92	34.18	1.96	35.88	2.00
		65	27.36	1.79	29.06	1.86	30.76	1.92	31.99	1.95	34.16	1.98	35.86	2.02
		70	27.34	1.81	29.04	1.88	30.74	1.95	31.96	1.97	34.13	2.01	35.83	2.05
		75	26.68	1.91	28.38	1.98	30.07	2.05	31.29	2.08	33.46	2.12	35.15	2.16
		80	26.02	2.01	27.71	2.08	29.40	2.16	30.62	2.18	32.78	2.22	34.47	2.27
		85	25.37	2.11	27.06	2.18	28.74	2.26	29.96	2.29	32.11	2.33	33.80	2.38
		90	24.72	2.20	26.40	2.28	28.08	2.37	29.30	2.40	31.44	2.44	33.13	2.49
		95	24.01	2.30	25.68	2.39	27.36	2.47	28.13	2.50	30.70	2.55	32.38	2.60
		100	23.43	2.40	25.10	2.49	26.77	2.58	27.76	2.61	30.12	2.66	31.79	2.71
		105	22.84	2.50	24.52	2.59	26.19	2.68	27.40	2.71	29.53	2.77	31.21	2.82
110		22.26	2.60	23.93	2.69	25.60	2.79	26.81	2.82	28.95	2.87	30.62	2.93	
115		21.67	2.69	23.35	2.79	25.02	2.89	26.23	2.93	28.36	2.98	30.04	3.04	
118		21.32	2.75	22.99	2.85	24.67	2.96	25.88	2.99	28.01	3.05	29.69	3.11	
122		21.21	2.83	22.88	2.93	24.55	3.04	25.76	3.08	27.90	3.13	29.57	3.20	
9 + 12 + 12		14	29.41	1.64	31.24	1.70	33.06	1.76	34.38	1.78	36.71	1.82	38.54	1.85
	20	29.39	1.67	31.21	1.73	33.04	1.79	34.35	1.81	36.69	1.84	38.51	1.88	
	25	29.36	1.69	31.19	1.75	33.01	1.81	34.33	1.84	36.66	1.87	38.48	1.91	
	30	29.34	1.71	31.16	1.78	32.99	1.84	34.30	1.86	36.63	1.90	38.45	1.93	
	35	29.32	1.74	31.14	1.80	32.96	1.87	34.28	1.89	36.60	1.92	38.42	1.96	
	40	29.30	1.76	31.12	1.82	32.94	1.89	34.25	1.91	36.57	1.95	38.39	1.99	
	45	29.27	1.78	31.09	1.85	32.91	1.92	34.22	1.94	36.55	1.97	38.36	2.01	
	50	29.25	1.81	31.07	1.87	32.89	1.94	34.20	1.96	36.52	2.00	38.34	2.04	
	55	29.23	1.83	31.04	1.90	32.86	1.97	34.17	1.99	36.49	2.03	38.31	2.07	
	60	29.21	1.85	31.02	1.92	32.83	1.99	34.14	2.02	36.46	2.05	38.28	2.09	
	65	29.18	1.88	31.00	1.95	32.81	2.02	34.12	2.04	36.43	2.08	38.25	2.12	
	70	29.16	1.90	30.97	1.97	32.78	2.04	34.09	2.07	36.41	2.11	38.22	2.15	
	75	28.46	2.00	30.27	2.08	32.07	2.15	33.38	2.18	35.69	2.22	37.49	2.26	
	80	27.76	2.11	29.56	2.18	31.36	2.26	32.66	2.29	34.97	2.33	36.77	2.38	
	85	27.06	2.21	28.86	2.29	30.66	2.37	31.96	2.40	34.25	2.45	36.05	2.50	
	90	26.37	2.31	28.16	2.40	29.95	2.48	31.25	2.51	33.54	2.56	35.33	2.61	
	95	25.61	2.41	27.40	2.50	29.18	2.59	30.00	2.62	32.75	2.67	34.53	2.73	
	100	24.99	2.52	26.77	2.61	28.56	2.70	29.61	2.74	32.13	2.79	33.91	2.84	
	105	24.37	2.62	26.15	2.72	27.93	2.81	29.22	2.85	31.50	2.90	33.29	2.96	
	110	23.74	2.72	25.53	2.82	27.31	2.92	28.60	2.96	30.88	3.01	32.66	3.07	
	115	23.12	2.82	24.90	2.93	26.69	3.03	27.98	3.07	30.26	3.13	32.04	3.19	
	118	22.74	2.89	24.53	2.99	26.31	3.10	27.60	3.14	29.88	3.20	31.67	3.26	
	122	22.62	2.97	24.40	3.08	26.19	3.19	27.48	3.23	29.76	3.29	31.54	3.35	

# MULTI ZONE

## 7. Capacity tables

Models : MR36TQY3JMA

### ■ Mixed type indoor unit

#### Cooling capacity

Operation	Combination Capacity Index	Outdoor Air Temp.: °FDB	Indoor Air Temp. °F DB / °F WB											
			68 / 57		73 / 61		77 / 64		80 / 67		86 / 72		90 / 75	
			TC	PI	TC	PI	TC	PI	TC	PI	TC	PI	TC	PI
			kBtu/h	kW	kBtu/h	kW	kBtu/h	kW	kBtu/h	kW	kBtu/h	kW	kBtu/h	kW
3 UNITS	9 + 9 + 18	14	29.41	1.64	31.24	1.70	33.06	1.76	34.38	1.78	36.71	1.82	38.54	1.85
		20	29.39	1.67	31.21	1.73	33.04	1.79	34.35	1.81	36.69	1.84	38.51	1.88
		25	29.36	1.69	31.19	1.75	33.01	1.81	34.33	1.84	36.66	1.87	38.48	1.91
		30	29.34	1.71	31.16	1.78	32.99	1.84	34.30	1.86	36.63	1.90	38.45	1.93
		35	29.32	1.74	31.14	1.80	32.96	1.87	34.28	1.89	36.60	1.92	38.42	1.96
		40	29.30	1.76	31.12	1.82	32.94	1.89	34.25	1.91	36.57	1.95	38.39	1.99
		45	29.27	1.78	31.09	1.85	32.91	1.92	34.22	1.94	36.55	1.97	38.36	2.01
		50	29.25	1.81	31.07	1.87	32.89	1.94	34.20	1.96	36.52	2.00	38.34	2.04
		55	29.23	1.83	31.04	1.90	32.86	1.97	34.17	1.99	36.49	2.03	38.31	2.07
		60	29.21	1.85	31.02	1.92	32.83	1.99	34.14	2.02	36.46	2.05	38.28	2.09
		65	29.18	1.88	31.00	1.95	32.81	2.02	34.12	2.04	36.43	2.08	38.25	2.12
		70	29.16	1.90	30.97	1.97	32.78	2.04	34.09	2.07	36.41	2.11	38.22	2.15
	75	28.46	2.00	30.27	2.08	32.07	2.15	33.38	2.18	35.69	2.22	37.49	2.26	
	80	27.76	2.11	29.56	2.18	31.36	2.26	32.66	2.29	34.97	2.33	36.77	2.38	
	85	27.06	2.21	28.86	2.29	30.66	2.37	31.96	2.40	34.25	2.45	36.05	2.50	
	90	26.37	2.31	28.16	2.40	29.95	2.48	31.25	2.51	33.54	2.56	35.33	2.61	
	95	25.61	2.41	27.40	2.50	29.18	2.59	30.00	2.62	32.75	2.67	34.53	2.73	
	100	24.99	2.52	26.77	2.61	28.56	2.70	29.61	2.74	32.13	2.79	33.91	2.84	
	105	24.37	2.62	26.15	2.72	27.93	2.81	29.22	2.85	31.50	2.90	33.29	2.96	
	110	23.74	2.72	25.53	2.82	27.31	2.92	28.60	2.96	30.88	3.01	32.66	3.07	
	115	23.12	2.82	24.90	2.93	26.69	3.03	27.98	3.07	30.26	3.13	32.04	3.19	
	118	22.74	2.89	24.53	2.99	26.31	3.10	27.60	3.14	29.88	3.20	31.67	3.26	
	122	22.62	2.97	24.40	3.08	26.19	3.19	27.48	3.23	29.76	3.29	31.54	3.35	
	12 + 12 + 12	14	29.41	1.64	31.24	1.70	33.06	1.76	34.38	1.78	36.71	1.82	38.54	1.85
		20	29.39	1.67	31.21	1.73	33.04	1.79	34.35	1.81	36.69	1.84	38.51	1.88
		25	29.36	1.69	31.19	1.75	33.01	1.81	34.33	1.84	36.66	1.87	38.48	1.91
		30	29.34	1.71	31.16	1.78	32.99	1.84	34.30	1.86	36.63	1.90	38.45	1.93
		35	29.32	1.74	31.14	1.80	32.96	1.87	34.28	1.89	36.60	1.92	38.42	1.96
		40	29.30	1.76	31.12	1.82	32.94	1.89	34.25	1.91	36.57	1.95	38.39	1.99
		45	29.27	1.78	31.09	1.85	32.91	1.92	34.22	1.94	36.55	1.97	38.36	2.01
		50	29.25	1.81	31.07	1.87	32.89	1.94	34.20	1.96	36.52	2.00	38.34	2.04
		55	29.23	1.83	31.04	1.90	32.86	1.97	34.17	1.99	36.49	2.03	38.31	2.07
		60	29.21	1.85	31.02	1.92	32.83	1.99	34.14	2.02	36.46	2.05	38.28	2.09
		65	29.18	1.88	31.00	1.95	32.81	2.02	34.12	2.04	36.43	2.08	38.25	2.12
		70	29.16	1.90	30.97	1.97	32.78	2.04	34.09	2.07	36.41	2.11	38.22	2.15
	75	28.46	2.00	30.27	2.08	32.07	2.15	33.38	2.18	35.69	2.22	37.49	2.26	
80	27.76	2.11	29.56	2.18	31.36	2.26	32.66	2.29	34.97	2.33	36.77	2.38		
85	27.06	2.21	28.86	2.29	30.66	2.37	31.96	2.40	34.25	2.45	36.05	2.50		
90	26.37	2.31	28.16	2.40	29.95	2.48	31.25	2.51	33.54	2.56	35.33	2.61		
95	25.61	2.41	27.40	2.50	29.18	2.59	30.00	2.62	32.75	2.67	34.53	2.73		
100	24.99	2.52	26.77	2.61	28.56	2.70	29.61	2.74	32.13	2.79	33.91	2.84		
105	24.37	2.62	26.15	2.72	27.93	2.81	29.22	2.85	31.50	2.90	33.29	2.96		
110	23.74	2.72	25.53	2.82	27.31	2.92	28.60	2.96	30.88	3.01	32.66	3.07		
115	23.12	2.82	24.90	2.93	26.69	3.03	27.98	3.07	30.26	3.13	32.04	3.19		
118	22.74	2.89	24.53	2.99	26.31	3.10	27.60	3.14	29.88	3.20	31.67	3.26		
122	22.62	2.97	24.40	3.08	26.19	3.19	27.48	3.23	29.76	3.29	31.54	3.35		
9 + 12 + 18	14	29.41	1.64	31.24	1.70	33.06	1.76	34.38	1.78	36.71	1.82	38.54	1.85	
	20	29.39	1.67	31.21	1.73	33.04	1.79	34.35	1.81	36.69	1.84	38.51	1.88	
	25	29.36	1.69	31.19	1.75	33.01	1.81	34.33	1.84	36.66	1.87	38.48	1.91	
	30	29.34	1.71	31.16	1.78	32.99	1.84	34.30	1.86	36.63	1.90	38.45	1.93	
	35	29.32	1.74	31.14	1.80	32.96	1.87	34.28	1.89	36.60	1.92	38.42	1.96	
	40	29.30	1.76	31.12	1.82	32.94	1.89	34.25	1.91	36.57	1.95	38.39	1.99	
	45	29.27	1.78	31.09	1.85	32.91	1.92	34.22	1.94	36.55	1.97	38.36	2.01	
	50	29.25	1.81	31.07	1.87	32.89	1.94	34.20	1.96	36.52	2.00	38.34	2.04	
	55	29.23	1.83	31.04	1.90	32.86	1.97	34.17	1.99	36.49	2.03	38.31	2.07	
	60	29.21	1.85	31.02	1.92	32.83	1.99	34.14	2.02	36.46	2.05	38.28	2.09	
	65	29.18	1.88	31.00	1.95	32.81	2.02	34.12	2.04	36.43	2.08	38.25	2.12	
	70	29.16	1.90	30.97	1.97	32.78	2.04	34.09	2.07	36.41	2.11	38.22	2.15	
75	28.46	2.00	30.27	2.08	32.07	2.15	33.38	2.18	35.69	2.22	37.49	2.26		
80	27.76	2.11	29.56	2.18	31.36	2.26	32.66	2.29	34.97	2.33	36.77	2.38		
85	27.06	2.21	28.86	2.29	30.66	2.37	31.96	2.40	34.25	2.45	36.05	2.50		
90	26.37	2.31	28.16	2.40	29.95	2.48	31.25	2.51	33.54	2.56	35.33	2.61		
95	25.61	2.41	27.40	2.50	29.18	2.59	30.00	2.62	32.75	2.67	34.53	2.73		
100	24.99	2.52	26.77	2.61	28.56	2.70	29.61	2.74	32.13	2.79	33.91	2.84		
105	24.37	2.62	26.15	2.72	27.93	2.81	29.22	2.85	31.50	2.90	33.29	2.96		
110	23.74	2.72	25.53	2.82	27.31	2.92	28.60	2.96	30.88	3.01	32.66	3.07		
115	23.12	2.82	24.90	2.93	26.69	3.03	27.98	3.07	30.26	3.13	32.04	3.19		
118	22.74	2.89	24.53	2.99	26.31	3.10	27.60	3.14	29.88	3.20	31.67	3.26		
122	22.62	2.97	24.40	3.08	26.19	3.19	27.48	3.23	29.76	3.29	31.54	3.35		

# MULTI ZONE

## 7. Capacity tables

Models : MR36TQY3JMA

### ■ Mixed type indoor unit

#### Cooling capacity

Operation	Combination Capacity Index	Outdoor Air Temp.: °FDB	Indoor Air Temp. °F DB / °F WB											
			68 / 57		73 / 61		77 / 64		80 / 67		86 / 72		90 / 75	
			TC	PI	TC	PI	TC	PI	TC	PI	TC	PI	TC	PI
			kBtu/h	kW	kBtu/h	kW	kBtu/h	kW	kBtu/h	kW	kBtu/h	kW	kBtu/h	kW
3 UNITS	12 + 12 + 18	14	29.41	1.64	31.24	1.70	33.06	1.76	34.38	1.78	36.71	1.82	38.54	1.85
		20	29.39	1.67	31.21	1.73	33.04	1.79	34.35	1.81	36.69	1.84	38.51	1.88
		25	29.36	1.69	31.19	1.75	33.01	1.81	34.33	1.84	36.66	1.87	38.48	1.91
		30	29.34	1.71	31.16	1.78	32.99	1.84	34.30	1.86	36.63	1.90	38.45	1.93
		35	29.32	1.74	31.14	1.80	32.96	1.87	34.28	1.89	36.60	1.92	38.42	1.96
		40	29.30	1.76	31.12	1.82	32.94	1.89	34.25	1.91	36.57	1.95	38.39	1.99
		45	29.27	1.78	31.09	1.85	32.91	1.92	34.22	1.94	36.55	1.97	38.36	2.01
		50	29.25	1.81	31.07	1.87	32.89	1.94	34.20	1.96	36.52	2.00	38.34	2.04
		55	29.23	1.83	31.04	1.90	32.86	1.97	34.17	1.99	36.49	2.03	38.31	2.07
		60	29.21	1.85	31.02	1.92	32.83	1.99	34.14	2.02	36.46	2.05	38.28	2.09
		65	29.18	1.88	31.00	1.95	32.81	2.02	34.12	2.04	36.43	2.08	38.25	2.12
		70	29.16	1.90	30.97	1.97	32.78	2.04	34.09	2.07	36.41	2.11	38.22	2.15
	75	28.46	2.00	30.27	2.08	32.07	2.15	33.38	2.18	35.69	2.22	37.49	2.26	
	80	27.76	2.11	29.56	2.18	31.36	2.26	32.66	2.29	34.97	2.33	36.77	2.38	
	85	27.06	2.21	28.86	2.29	30.66	2.37	31.96	2.40	34.25	2.45	36.05	2.50	
	90	26.37	2.31	28.16	2.40	29.95	2.48	31.25	2.51	33.54	2.56	35.33	2.61	
	95	25.61	2.41	27.40	2.50	29.18	2.59	30.00	2.62	32.75	2.67	34.53	2.73	
	100	24.99	2.52	26.77	2.61	28.56	2.70	29.61	2.74	32.13	2.79	33.91	2.84	
	105	24.37	2.62	26.15	2.72	27.93	2.81	29.22	2.85	31.50	2.90	33.29	2.96	
	110	23.74	2.72	25.53	2.82	27.31	2.92	28.60	2.96	30.88	3.01	32.66	3.07	
	115	23.12	2.82	24.90	2.93	26.69	3.03	27.98	3.07	30.26	3.13	32.04	3.19	
	118	22.74	2.89	24.53	2.99	26.31	3.10	27.60	3.14	29.88	3.20	31.67	3.26	
	122	22.62	2.97	24.40	3.08	26.19	3.19	27.48	3.23	29.76	3.29	31.54	3.35	
	9 + 18 + 18	14	29.41	1.64	31.24	1.70	33.06	1.76	34.38	1.78	36.71	1.82	38.54	1.85
		20	29.39	1.67	31.21	1.73	33.04	1.79	34.35	1.81	36.69	1.84	38.51	1.88
		25	29.36	1.69	31.19	1.75	33.01	1.81	34.33	1.84	36.66	1.87	38.48	1.91
		30	29.34	1.71	31.16	1.78	32.99	1.84	34.30	1.86	36.63	1.90	38.45	1.93
		35	29.32	1.74	31.14	1.80	32.96	1.87	34.28	1.89	36.60	1.92	38.42	1.96
		40	29.30	1.76	31.12	1.82	32.94	1.89	34.25	1.91	36.57	1.95	38.39	1.99
		45	29.27	1.78	31.09	1.85	32.91	1.92	34.22	1.94	36.55	1.97	38.36	2.01
		50	29.25	1.81	31.07	1.87	32.89	1.94	34.20	1.96	36.52	2.00	38.34	2.04
		55	29.23	1.83	31.04	1.90	32.86	1.97	34.17	1.99	36.49	2.03	38.31	2.07
		60	29.21	1.85	31.02	1.92	32.83	1.99	34.14	2.02	36.46	2.05	38.28	2.09
		65	29.18	1.88	31.00	1.95	32.81	2.02	34.12	2.04	36.43	2.08	38.25	2.12
		70	29.16	1.90	30.97	1.97	32.78	2.04	34.09	2.07	36.41	2.11	38.22	2.15
	75	28.46	2.00	30.27	2.08	32.07	2.15	33.38	2.18	35.69	2.22	37.49	2.26	
80	27.76	2.11	29.56	2.18	31.36	2.26	32.66	2.29	34.97	2.33	36.77	2.38		
85	27.06	2.21	28.86	2.29	30.66	2.37	31.96	2.40	34.25	2.45	36.05	2.50		
90	26.37	2.31	28.16	2.40	29.95	2.48	31.25	2.51	33.54	2.56	35.33	2.61		
95	25.61	2.41	27.40	2.50	29.18	2.59	30.00	2.62	32.75	2.67	34.53	2.73		
100	24.99	2.52	26.77	2.61	28.56	2.70	29.61	2.74	32.13	2.79	33.91	2.84		
105	24.37	2.62	26.15	2.72	27.93	2.81	29.22	2.85	31.50	2.90	33.29	2.96		
110	23.74	2.72	25.53	2.82	27.31	2.92	28.60	2.96	30.88	3.01	32.66	3.07		
115	23.12	2.82	24.90	2.93	26.69	3.03	27.98	3.07	30.26	3.13	32.04	3.19		
118	22.74	2.89	24.53	2.99	26.31	3.10	27.60	3.14	29.88	3.20	31.67	3.26		
122	22.62	2.97	24.40	3.08	26.19	3.19	27.48	3.23	29.76	3.29	31.54	3.35		
12 + 18 + 18	14	29.41	1.64	31.24	1.70	33.06	1.76	34.38	1.78	36.71	1.82	38.54	1.85	
	20	29.39	1.67	31.21	1.73	33.04	1.79	34.35	1.81	36.69	1.84	38.51	1.88	
	25	29.36	1.69	31.19	1.75	33.01	1.81	34.33	1.84	36.66	1.87	38.48	1.91	
	30	29.34	1.71	31.16	1.78	32.99	1.84	34.30	1.86	36.63	1.90	38.45	1.93	
	35	29.32	1.74	31.14	1.80	32.96	1.87	34.28	1.89	36.60	1.92	38.42	1.96	
	40	29.30	1.76	31.12	1.82	32.94	1.89	34.25	1.91	36.57	1.95	38.39	1.99	
	45	29.27	1.78	31.09	1.85	32.91	1.92	34.22	1.94	36.55	1.97	38.36	2.01	
	50	29.25	1.81	31.07	1.87	32.89	1.94	34.20	1.96	36.52	2.00	38.34	2.04	
	55	29.23	1.83	31.04	1.90	32.86	1.97	34.17	1.99	36.49	2.03	38.31	2.07	
	60	29.21	1.85	31.02	1.92	32.83	1.99	34.14	2.02	36.46	2.05	38.28	2.09	
	65	29.18	1.88	31.00	1.95	32.81	2.02	34.12	2.04	36.43	2.08	38.25	2.12	
	70	29.16	1.90	30.97	1.97	32.78	2.04	34.09	2.07	36.41	2.11	38.22	2.15	
75	28.46	2.00	30.27	2.08	32.07	2.15	33.38	2.18	35.69	2.22	37.49	2.26		
80	27.76	2.11	29.56	2.18	31.36	2.26	32.66	2.29	34.97	2.33	36.77	2.38		
85	27.06	2.21	28.86	2.29	30.66	2.37	31.96	2.40	34.25	2.45	36.05	2.50		
90	26.37	2.31	28.16	2.40	29.95	2.48	31.25	2.51	33.54	2.56	35.33	2.61		
95	25.61	2.41	27.40	2.50	29.18	2.59	30.00	2.62	32.75	2.67	34.53	2.73		
100	24.99	2.52	26.77	2.61	28.56	2.70	29.61	2.74	32.13	2.79	33.91	2.84		
105	24.37	2.62	26.15	2.72	27.93	2.81	29.22	2.85	31.50	2.90	33.29	2.96		
110	23.74	2.72	25.53	2.82	27.31	2.92	28.60	2.96	30.88	3.01	32.66	3.07		
115	23.12	2.82	24.90	2.93	26.69	3.03	27.98	3.07	30.26	3.13	32.04	3.19		
118	22.74	2.89	24.53	2.99	26.31	3.10	27.60	3.14	29.88	3.20	31.67	3.26		
122	22.62	2.97	24.40	3.08	26.19	3.19	27.48	3.23	29.76	3.29	31.54	3.35		

# MULTI ZONE

## 7. Capacity tables

Models : MR36TQY3JMA

### ■ Mixed type indoor unit

#### Cooling capacity

Operation	Combination Capacity Index	Outdoor Air Temp.: °FDB	Indoor Air Temp. °F DB / °F WB											
			68 / 57		73 / 61		77 / 64		80 / 67		86 / 72		90 / 75	
			TC	PI	TC	PI	TC	PI	TC	PI	TC	PI	TC	PI
			kBtu/h	kW	kBtu/h	kW	kBtu/h	kW	kBtu/h	kW	kBtu/h	kW	kBtu/h	kW
4 UNITS	9+9+9+9	14	29.41	1.57	31.24	1.62	33.06	1.68	34.38	1.70	36.71	1.73	38.54	1.77
		20	29.39	1.59	31.21	1.65	33.04	1.71	34.35	1.73	36.69	1.76	38.51	1.79
		25	29.36	1.61	31.19	1.67	33.01	1.73	34.33	1.75	36.66	1.78	38.48	1.82
		30	29.34	1.63	31.16	1.69	32.99	1.76	34.30	1.78	36.63	1.81	38.45	1.85
		35	29.32	1.66	31.14	1.72	32.96	1.78	34.28	1.80	36.60	1.83	38.42	1.87
		40	29.30	1.68	31.12	1.74	32.94	1.80	34.25	1.82	36.57	1.86	38.39	1.90
		45	29.27	1.70	31.09	1.76	32.91	1.83	34.22	1.85	36.55	1.88	38.36	1.92
		50	29.25	1.72	31.07	1.79	32.89	1.85	34.20	1.87	36.52	1.91	38.34	1.95
		55	29.23	1.75	31.04	1.81	32.86	1.88	34.17	1.90	36.49	1.93	38.31	1.97
		60	29.21	1.77	31.02	1.83	32.83	1.90	34.14	1.92	36.46	1.96	38.28	2.00
		65	29.18	1.79	31.00	1.86	32.81	1.92	34.12	1.95	36.43	1.98	38.25	2.02
		70	29.16	1.81	30.97	1.88	32.78	1.95	34.09	1.97	36.41	2.01	38.22	2.05
		75	28.46	1.91	30.27	1.98	32.07	2.05	33.38	2.08	35.69	2.12	37.49	2.16
		80	27.76	2.01	29.56	2.08	31.36	2.16	32.66	2.18	34.97	2.22	36.77	2.27
		85	27.06	2.11	28.86	2.18	30.66	2.26	31.96	2.29	34.25	2.33	36.05	2.38
		90	26.37	2.21	28.16	2.29	29.95	2.37	31.25	2.40	33.54	2.44	35.33	2.49
		95	25.61	2.30	27.40	2.39	29.18	2.47	30.00	2.50	32.75	2.55	34.53	2.60
		100	24.99	2.40	26.77	2.49	28.56	2.58	29.61	2.61	32.13	2.66	33.91	2.71
	105	24.37	2.50	26.15	2.59	27.93	2.68	29.22	2.72	31.50	2.77	33.29	2.82	
	110	23.74	2.60	25.53	2.69	27.31	2.79	28.60	2.82	30.88	2.87	32.66	2.93	
	115	23.12	2.69	24.90	2.79	26.69	2.90	27.98	2.93	30.26	2.98	32.04	3.04	
	118	22.74	2.75	24.53	2.85	26.31	2.96	27.60	2.99	29.88	3.05	31.67	3.11	
	122	22.62	2.83	24.40	2.94	26.19	3.04	27.48	3.08	29.76	3.13	31.54	3.20	
	9+9+9+12	14	29.41	1.57	31.24	1.62	33.06	1.68	34.38	1.70	36.71	1.73	38.54	1.77
		20	29.39	1.59	31.21	1.65	33.04	1.71	34.35	1.73	36.69	1.76	38.51	1.79
		25	29.36	1.61	31.19	1.67	33.01	1.73	34.33	1.75	36.66	1.78	38.48	1.82
		30	29.34	1.63	31.16	1.69	32.99	1.76	34.30	1.78	36.63	1.81	38.45	1.85
		35	29.32	1.66	31.14	1.72	32.96	1.78	34.28	1.80	36.60	1.83	38.42	1.87
		40	29.30	1.68	31.12	1.74	32.94	1.80	34.25	1.82	36.57	1.86	38.39	1.90
		45	29.27	1.70	31.09	1.76	32.91	1.83	34.22	1.85	36.55	1.88	38.36	1.92
		50	29.25	1.72	31.07	1.79	32.89	1.85	34.20	1.87	36.52	1.91	38.34	1.95
		55	29.23	1.75	31.04	1.81	32.86	1.88	34.17	1.90	36.49	1.93	38.31	1.97
		60	29.21	1.77	31.02	1.83	32.83	1.90	34.14	1.92	36.46	1.96	38.28	2.00
		65	29.18	1.79	31.00	1.86	32.81	1.92	34.12	1.95	36.43	1.98	38.25	2.02
		70	29.16	1.81	30.97	1.88	32.78	1.95	34.09	1.97	36.41	2.01	38.22	2.05
		75	28.46	1.91	30.27	1.98	32.07	2.05	33.38	2.08	35.69	2.12	37.49	2.16
		80	27.76	2.01	29.56	2.08	31.36	2.16	32.66	2.18	34.97	2.22	36.77	2.27
		85	27.06	2.11	28.86	2.18	30.66	2.26	31.96	2.29	34.25	2.33	36.05	2.38
		90	26.37	2.21	28.16	2.29	29.95	2.37	31.25	2.40	33.54	2.44	35.33	2.49
		95	25.61	2.30	27.40	2.39	29.18	2.47	30.00	2.50	32.75	2.55	34.53	2.60
		100	24.99	2.40	26.77	2.49	28.56	2.58	29.61	2.61	32.13	2.66	33.91	2.71
	105	24.37	2.50	26.15	2.59	27.93	2.68	29.22	2.72	31.50	2.77	33.29	2.82	
110	23.74	2.60	25.53	2.69	27.31	2.79	28.60	2.82	30.88	2.87	32.66	2.93		
115	23.12	2.69	24.90	2.79	26.69	2.90	27.98	2.93	30.26	2.98	32.04	3.04		
118	22.74	2.75	24.53	2.85	26.31	2.96	27.60	2.99	29.88	3.05	31.67	3.11		
122	22.62	2.83	24.40	2.94	26.19	3.04	27.48	3.08	29.76	3.13	31.54	3.20		
9+9+12+12	14	29.41	1.57	31.24	1.62	33.06	1.68	34.38	1.70	36.71	1.73	38.54	1.77	
	20	29.39	1.59	31.21	1.65	33.04	1.71	34.35	1.73	36.69	1.76	38.51	1.79	
	25	29.36	1.61	31.19	1.67	33.01	1.73	34.33	1.75	36.66	1.78	38.48	1.82	
	30	29.34	1.63	31.16	1.69	32.99	1.76	34.30	1.78	36.63	1.81	38.45	1.85	
	35	29.32	1.66	31.14	1.72	32.96	1.78	34.28	1.80	36.60	1.83	38.42	1.87	
	40	29.30	1.68	31.12	1.74	32.94	1.80	34.25	1.82	36.57	1.86	38.39	1.90	
	45	29.27	1.70	31.09	1.76	32.91	1.83	34.22	1.85	36.55	1.88	38.36	1.92	
	50	29.25	1.72	31.07	1.79	32.89	1.85	34.20	1.87	36.52	1.91	38.34	1.95	
	55	29.23	1.75	31.04	1.81	32.86	1.88	34.17	1.90	36.49	1.93	38.31	1.97	
	60	29.21	1.77	31.02	1.83	32.83	1.90	34.14	1.92	36.46	1.96	38.28	2.00	
	65	29.18	1.79	31.00	1.86	32.81	1.92	34.12	1.95	36.43	1.98	38.25	2.02	
	70	29.16	1.81	30.97	1.88	32.78	1.95	34.09	1.97	36.41	2.01	38.22	2.05	
	75	28.46	1.91	30.27	1.98	32.07	2.05	33.38	2.08	35.69	2.12	37.49	2.16	
	80	27.76	2.01	29.56	2.08	31.36	2.16	32.66	2.18	34.97	2.22	36.77	2.27	
	85	27.06	2.11	28.86	2.18	30.66	2.26	31.96	2.29	34.25	2.33	36.05	2.38	
	90	26.37	2.21	28.16	2.29	29.95	2.37	31.25	2.40	33.54	2.44	35.33	2.49	
	95	25.61	2.30	27.40	2.39	29.18	2.47	30.00	2.50	32.75	2.55	34.53	2.60	
	100	24.99	2.40	26.77	2.49	28.56	2.58	29.61	2.61	32.13	2.66	33.91	2.71	
105	24.37	2.50	26.15	2.59	27.93	2.68	29.22	2.72	31.50	2.77	33.29	2.82		
110	23.74	2.60	25.53	2.69	27.31	2.79	28.60	2.82	30.88	2.87	32.66	2.93		
115	23.12	2.69	24.90	2.79	26.69	2.90	27.98	2.93	30.26	2.98	32.04	3.04		
118	22.74	2.75	24.53	2.85	26.31	2.96	27.60	2.99	29.88	3.05	31.67	3.11		
122	22.62	2.83	24.40	2.94	26.19	3.04	27.48	3.08	29.76	3.13	31.54	3.20		

Part 2 Product data\_Outdoor units

# MULTI ZONE

## 7. Capacity tables

Models : MR36TQY3JMA

### ■ Mixed type indoor unit

#### Cooling capacity

Operation	Combination Capacity Index	Outdoor Air Temp.: °FDB	Indoor Air Temp. °F DB / °F WB											
			68 / 57		73 / 61		77 / 64		80 / 67		86 / 72		90 / 75	
			TC	PI	TC	PI	TC	PI	TC	PI	TC	PI	TC	PI
			kBtu/h	kW	kBtu/h	kW	kBtu/h	kW	kBtu/h	kW	kBtu/h	kW	kBtu/h	kW
9 + 9 + 9 + 18	14	29.41	1.57	31.24	1.62	33.06	1.68	34.38	1.70	36.71	1.73	38.54	1.77	
	20	29.39	1.59	31.21	1.65	33.04	1.71	34.35	1.73	36.69	1.76	38.51	1.79	
	25	29.36	1.61	31.19	1.67	33.01	1.73	34.33	1.75	36.66	1.78	38.48	1.82	
	30	29.34	1.63	31.16	1.69	32.99	1.76	34.30	1.78	36.63	1.81	38.45	1.85	
	35	29.32	1.66	31.14	1.72	32.96	1.78	34.28	1.80	36.60	1.83	38.42	1.87	
	40	29.30	1.68	31.12	1.74	32.94	1.80	34.25	1.82	36.57	1.86	38.39	1.90	
	45	29.27	1.70	31.09	1.76	32.91	1.83	34.22	1.85	36.55	1.88	38.36	1.92	
	50	29.25	1.72	31.07	1.79	32.89	1.85	34.20	1.87	36.52	1.91	38.34	1.95	
	55	29.23	1.75	31.04	1.81	32.86	1.88	34.17	1.90	36.49	1.93	38.31	1.97	
	60	29.21	1.77	31.02	1.83	32.83	1.90	34.14	1.92	36.46	1.96	38.28	2.00	
	65	29.18	1.79	31.00	1.86	32.81	1.92	34.12	1.95	36.43	1.98	38.25	2.02	
	70	29.16	1.81	30.97	1.88	32.78	1.95	34.09	1.97	36.41	2.01	38.22	2.05	
	75	28.46	1.91	30.27	1.98	32.07	2.05	33.38	2.08	35.69	2.12	37.49	2.16	
	80	27.76	2.01	29.56	2.08	31.36	2.16	32.66	2.18	34.97	2.22	36.77	2.27	
	85	27.06	2.11	28.86	2.18	30.66	2.26	31.96	2.29	34.25	2.33	36.05	2.38	
	90	26.37	2.21	28.16	2.29	29.95	2.37	31.25	2.40	33.54	2.44	35.33	2.49	
	95	25.61	2.30	27.40	2.39	29.18	2.47	30.00	2.50	32.75	2.55	34.53	2.60	
	100	24.99	2.40	26.77	2.49	28.56	2.58	29.61	2.61	32.13	2.66	33.91	2.71	
	105	24.37	2.50	26.15	2.59	27.93	2.68	29.22	2.72	31.50	2.77	33.29	2.82	
	110	23.74	2.60	25.53	2.69	27.31	2.79	28.60	2.82	30.88	2.87	32.66	2.93	
	115	23.12	2.69	24.90	2.79	26.69	2.90	27.98	2.93	30.26	2.98	32.04	3.04	
	118	22.74	2.75	24.53	2.85	26.31	2.96	27.60	2.99	29.88	3.05	31.67	3.11	
	122	22.62	2.83	24.40	2.94	26.19	3.04	27.48	3.08	29.76	3.13	31.54	3.20	
	4 UNITS 9 + 12 + 12 + 12	14	29.41	1.57	31.24	1.62	33.06	1.68	34.38	1.70	36.71	1.73	38.54	1.77
20		29.39	1.59	31.21	1.65	33.04	1.71	34.35	1.73	36.69	1.76	38.51	1.79	
25		29.36	1.61	31.19	1.67	33.01	1.73	34.33	1.75	36.66	1.78	38.48	1.82	
30		29.34	1.63	31.16	1.69	32.99	1.76	34.30	1.78	36.63	1.81	38.45	1.85	
35		29.32	1.66	31.14	1.72	32.96	1.78	34.28	1.80	36.60	1.83	38.42	1.87	
40		29.30	1.68	31.12	1.74	32.94	1.80	34.25	1.82	36.57	1.86	38.39	1.90	
45		29.27	1.70	31.09	1.76	32.91	1.83	34.22	1.85	36.55	1.88	38.36	1.92	
50		29.25	1.72	31.07	1.79	32.89	1.85	34.20	1.87	36.52	1.91	38.34	1.95	
55		29.23	1.75	31.04	1.81	32.86	1.88	34.17	1.90	36.49	1.93	38.31	1.97	
60		29.21	1.77	31.02	1.83	32.83	1.90	34.14	1.92	36.46	1.96	38.28	2.00	
65		29.18	1.79	31.00	1.86	32.81	1.92	34.12	1.95	36.43	1.98	38.25	2.02	
70		29.16	1.81	30.97	1.88	32.78	1.95	34.09	1.97	36.41	2.01	38.22	2.05	
75		28.46	1.91	30.27	1.98	32.07	2.05	33.38	2.08	35.69	2.12	37.49	2.16	
80		27.76	2.01	29.56	2.08	31.36	2.16	32.66	2.18	34.97	2.22	36.77	2.27	
85		27.06	2.11	28.86	2.18	30.66	2.26	31.96	2.29	34.25	2.33	36.05	2.38	
90		26.37	2.21	28.16	2.29	29.95	2.37	31.25	2.40	33.54	2.44	35.33	2.49	
95		25.61	2.30	27.40	2.39	29.18	2.47	30.00	2.50	32.75	2.55	34.53	2.60	
100		24.99	2.40	26.77	2.49	28.56	2.58	29.61	2.61	32.13	2.66	33.91	2.71	
105		24.37	2.50	26.15	2.59	27.93	2.68	29.22	2.72	31.50	2.77	33.29	2.82	
110		23.74	2.60	25.53	2.69	27.31	2.79	28.60	2.82	30.88	2.87	32.66	2.93	
115		23.12	2.69	24.90	2.79	26.69	2.90	27.98	2.93	30.26	2.98	32.04	3.04	
118		22.74	2.75	24.53	2.85	26.31	2.96	27.60	2.99	29.88	3.05	31.67	3.11	
122		22.62	2.83	24.40	2.94	26.19	3.04	27.48	3.08	29.76	3.13	31.54	3.20	
9 + 9 + 12 + 18		14	29.41	1.57	31.24	1.62	33.06	1.68	34.38	1.70	36.71	1.73	38.54	1.77
	20	29.39	1.59	31.21	1.65	33.04	1.71	34.35	1.73	36.69	1.76	38.51	1.79	
	25	29.36	1.61	31.19	1.67	33.01	1.73	34.33	1.75	36.66	1.78	38.48	1.82	
	30	29.34	1.63	31.16	1.69	32.99	1.76	34.30	1.78	36.63	1.81	38.45	1.85	
	35	29.32	1.66	31.14	1.72	32.96	1.78	34.28	1.80	36.60	1.83	38.42	1.87	
	40	29.30	1.68	31.12	1.74	32.94	1.80	34.25	1.82	36.57	1.86	38.39	1.90	
	45	29.27	1.70	31.09	1.76	32.91	1.83	34.22	1.85	36.55	1.88	38.36	1.92	
	50	29.25	1.72	31.07	1.79	32.89	1.85	34.20	1.87	36.52	1.91	38.34	1.95	
	55	29.23	1.75	31.04	1.81	32.86	1.88	34.17	1.90	36.49	1.93	38.31	1.97	
	60	29.21	1.77	31.02	1.83	32.83	1.90	34.14	1.92	36.46	1.96	38.28	2.00	
	65	29.18	1.79	31.00	1.86	32.81	1.92	34.12	1.95	36.43	1.98	38.25	2.02	
	70	29.16	1.81	30.97	1.88	32.78	1.95	34.09	1.97	36.41	2.01	38.22	2.05	
	75	28.46	1.91	30.27	1.98	32.07	2.05	33.38	2.08	35.69	2.12	37.49	2.16	
	80	27.76	2.01	29.56	2.08	31.36	2.16	32.66	2.18	34.97	2.22	36.77	2.27	
	85	27.06	2.11	28.86	2.18	30.66	2.26	31.96	2.29	34.25	2.33	36.05	2.38	
	90	26.37	2.21	28.16	2.29	29.95	2.37	31.25	2.40	33.54	2.44	35.33	2.49	
	95	25.61	2.30	27.40	2.39	29.18	2.47	30.00	2.50	32.75	2.55	34.53	2.60	
	100	24.99	2.40	26.77	2.49	28.56	2.58	29.61	2.61	32.13	2.66	33.91	2.71	
	105	24.37	2.50	26.15	2.59	27.93	2.68	29.22	2.72	31.50	2.77	33.29	2.82	
	110	23.74	2.60	25.53	2.69	27.31	2.79	28.60	2.82	30.88	2.87	32.66	2.93	
	115	23.12	2.69	24.90	2.79	26.69	2.90	27.98	2.93	30.26	2.98	32.04	3.04	
	118	22.74	2.75	24.53	2.85	26.31	2.96	27.60	2.99	29.88	3.05	31.67	3.11	
	122	22.62	2.83	24.40	2.94	26.19	3.04	27.48	3.08	29.76	3.13	31.54	3.20	

# MULTI ZONE

## 7. Capacity tables

Models : MR36TQY3JMA

### ■ Mixed type indoor unit

#### Cooling capacity

Operation	Combination Capacity Index	Outdoor Air Temp.: °FDB	Indoor Air Temp. °F DB / °F WB											
			68 / 57		73 / 61		77 / 64		80 / 67		86 / 72		90 / 75	
			TC	PI	TC	PI	TC	PI	TC	PI	TC	PI	TC	PI
			kBtu/h	kW	kBtu/h	kW	kBtu/h	kW	kBtu/h	kW	kBtu/h	kW	kBtu/h	kW
4 UNITS	12 + 12 + 12 + 12	14	29.41	1.57	31.24	1.62	33.06	1.68	34.38	1.70	36.71	1.73	38.54	1.77
		20	29.39	1.59	31.21	1.65	33.04	1.71	34.35	1.73	36.69	1.76	38.51	1.79
		25	29.36	1.61	31.19	1.67	33.01	1.73	34.33	1.75	36.66	1.78	38.48	1.82
		30	29.34	1.63	31.16	1.69	32.99	1.76	34.30	1.78	36.63	1.81	38.45	1.85
		35	29.32	1.66	31.14	1.72	32.96	1.78	34.28	1.80	36.60	1.83	38.42	1.87
		40	29.30	1.68	31.12	1.74	32.94	1.80	34.25	1.82	36.57	1.86	38.39	1.90
		45	29.27	1.70	31.09	1.76	32.91	1.83	34.22	1.85	36.55	1.88	38.36	1.92
		50	29.25	1.72	31.07	1.79	32.89	1.85	34.20	1.87	36.52	1.91	38.34	1.95
		55	29.23	1.75	31.04	1.81	32.86	1.88	34.17	1.90	36.49	1.93	38.31	1.97
		60	29.21	1.77	31.02	1.83	32.83	1.90	34.14	1.92	36.46	1.96	38.28	2.00
		65	29.18	1.79	31.00	1.86	32.81	1.92	34.12	1.95	36.43	1.98	38.25	2.02
		70	29.16	1.81	30.97	1.88	32.78	1.95	34.09	1.97	36.41	2.01	38.22	2.05
		75	28.46	1.91	30.27	1.98	32.07	2.05	33.38	2.08	35.69	2.12	37.49	2.16
		80	27.76	2.01	29.56	2.08	31.36	2.16	32.66	2.18	34.97	2.22	36.77	2.27
		85	27.06	2.11	28.86	2.18	30.66	2.26	31.96	2.29	34.25	2.33	36.05	2.38
		90	26.37	2.21	28.16	2.29	29.95	2.37	31.25	2.40	33.54	2.44	35.33	2.49
		95	25.61	2.30	27.40	2.39	29.18	2.47	30.00	2.50	32.75	2.55	34.53	2.60
		100	24.99	2.40	26.77	2.49	28.56	2.58	29.61	2.61	32.13	2.66	33.91	2.71
		105	24.37	2.50	26.15	2.59	27.93	2.68	29.22	2.72	31.50	2.77	33.29	2.82
110	23.74	2.60	25.53	2.69	27.31	2.79	28.60	2.82	30.88	2.87	32.66	2.93		
115	23.12	2.69	24.90	2.79	26.69	2.90	27.98	2.93	30.26	2.98	32.04	3.04		
118	22.74	2.75	24.53	2.85	26.31	2.96	27.60	2.99	29.88	3.05	31.67	3.11		
122	22.62	2.83	24.40	2.94	26.19	3.04	27.48	3.08	29.76	3.13	31.54	3.20		

#### Notes:

- Capacities are based on the following conditions.  
Corresponding refrigerant piping length : 25ft  
Level difference : 0ft
- TC : Total Capacity (kBtu/h)  
PI : Power Input (kW)
- indicates reference data. When operating at this temperature, these values can be different by discontinuous operation.

# MULTI ZONE

## 7. Capacity tables

Models : MR36TQY3JMA

### ■ Mixed type indoor unit

#### Heating capacity

Operation	Combination Capacity Index (kBtu/h)	Outdoor Air Temp.		Indoor Air Temp.: °FDB											
				61		64		68		70		72		75	
				TC	PI	TC	PI	TC	PI	TC	PI	TC	PI	TC	PI
		°F DB	°F WB	kBtu/h	kW	kBtu/h	kW	kBtu/h	kW	kBtu/h	kW	kBtu/h	kW	kBtu/h	kW
2 UNIT	9 + 9	-4	-4.4	6.82	1.41	6.40	1.47	6.31	1.48	6.23	1.49	6.16	1.50	5.89	1.56
		0	-0.4	7.86	1.44	7.44	1.49	7.29	1.51	7.18	1.53	7.09	1.54	6.80	1.59
		5	4.5	9.54	1.47	9.08	1.52	8.87	1.55	8.73	1.57	8.61	1.58	8.26	1.64
		10	9	10.93	1.49	10.48	1.55	10.19	1.58	10.02	1.61	9.88	1.62	9.48	1.67
		17	15	12.46	1.53	12.03	1.58	11.65	1.63	11.44	1.66	11.27	1.68	10.84	1.73
		20	19	13.39	1.56	12.97	1.60	12.53	1.66	12.30	1.69	12.12	1.71	11.65	1.76
		25	23	14.95	1.60	14.51	1.65	14.00	1.71	13.73	1.74	13.52	1.77	13.02	1.82
		30	28	16.52	1.65	16.00	1.71	15.46	1.76	15.18	1.80	14.94	1.83	14.40	1.88
		35	32	18.07	1.71	17.50	1.77	16.90	1.81	16.60	1.86	16.36	1.89	15.76	1.94
		40	36	18.99	1.76	18.46	1.82	17.87	1.87	17.56	1.91	17.31	1.94	16.69	1.99
		45	41	20.15	1.82	19.66	1.88	19.08	1.94	18.77	1.97	18.51	2.00	17.84	2.06
		47	43	20.61	1.84	20.15	1.91	19.57	1.97	19.25	2.00	18.99	2.03	18.30	2.09
		50	46	20.67	1.83	20.25	1.89	19.75	1.94	19.46	1.97	19.23	1.99	18.58	2.05
		55	51	20.77	1.81	20.42	1.86	20.05	1.90	19.82	1.92	19.63	1.94	19.05	1.98
		60	56	20.87	1.79	20.60	1.83	20.34	1.86	20.17	1.88	20.03	1.89	19.52	1.92
		63	59	20.93	1.78	20.70	1.81	20.52	1.84	20.38	1.85	20.27	1.85	19.80	1.88
	68	64	20.99	1.77	20.81	1.79	20.70	1.81	20.60	1.82	20.51	1.82	20.08	1.84	
	9 + 12	-4	-4.4	7.96	1.59	7.47	1.66	7.37	1.68	7.26	1.69	7.18	1.70	6.88	1.76
		0	-0.4	9.17	1.62	8.68	1.68	8.51	1.71	8.38	1.73	8.28	1.74	7.93	1.80
		5	4.5	11.14	1.66	10.60	1.72	10.36	1.75	10.20	1.77	10.06	1.79	9.65	1.85
		10	9	12.76	1.69	12.25	1.75	11.90	1.79	11.70	1.81	11.54	1.83	11.09	1.89
		17	15	14.56	1.73	14.06	1.79	13.61	1.84	13.36	1.87	13.17	1.90	12.66	1.95
		20	19	15.64	1.76	15.15	1.81	14.64	1.87	14.37	1.91	14.16	1.94	13.61	1.99
		25	23	17.46	1.81	16.95	1.86	16.36	1.93	16.05	1.97	15.80	2.00	15.21	2.06
		30	28	19.30	1.87	18.70	1.93	18.06	1.99	17.72	2.03	17.46	2.07	16.81	2.12
		35	32	21.09	1.93	20.42	2.00	19.72	2.05	19.37	2.10	19.08	2.14	18.39	2.19
		40	36	22.16	1.99	21.54	2.05	20.85	2.11	20.49	2.16	20.20	2.19	19.47	2.25
		45	41	23.50	2.06	22.94	2.12	22.27	2.19	21.90	2.23	21.60	2.26	20.82	2.33
47		43	24.04	2.08	23.50	2.15	22.83	2.22	22.46	2.26	22.16	2.29	21.36	2.36	
50	46	24.11	2.07	23.63	2.13	23.04	2.19	22.71	2.23	22.44	2.25	21.68	2.31		
55	51	24.23	2.05	23.83	2.10	23.39	2.15	23.12	2.17	22.91	2.19	22.23	2.24		
60	56	24.35	2.03	24.03	2.07	23.74	2.10	23.53	2.12	23.37	2.13	22.77	2.17		
63	59	24.42	2.01	24.15	2.05	23.94	2.08	23.78	2.09	23.65	2.10	23.10	2.12		
68	64	24.49	2.00	24.27	2.03	24.15	2.05	24.03	2.06	23.93	2.06	23.43	2.08		
12 + 12	-4	-4.4	9.10	1.74	8.54	1.81	8.42	1.83	8.30	1.85	8.21	1.85	7.86	1.92	
	0	-0.4	10.48	1.77	9.92	1.84	9.72	1.87	9.58	1.89	9.46	1.90	9.07	1.97	
	5	4.5	12.74	1.81	12.13	1.88	11.85	1.92	11.67	1.94	11.52	1.95	11.05	2.02	
	10	9	14.61	1.84	14.02	1.91	13.63	1.96	13.39	1.98	13.21	2.00	12.69	2.07	
	17	15	16.67	1.89	16.08	1.95	15.57	2.01	15.29	2.05	15.07	2.07	14.49	2.13	
	20	19	17.90	1.92	17.34	1.98	16.76	2.05	16.45	2.09	16.20	2.12	15.58	2.18	
	25	23	19.99	1.98	19.40	2.04	18.72	2.11	18.37	2.15	18.08	2.19	17.41	2.25	
	30	28	22.08	2.04	21.40	2.11	20.67	2.18	20.29	2.22	19.99	2.26	19.25	2.32	
	35	32	24.10	2.11	23.33	2.18	22.54	2.24	22.13	2.29	21.81	2.33	21.02	2.39	
	40	36	25.33	2.17	24.62	2.25	23.83	2.31	23.42	2.36	23.09	2.40	22.25	2.46	
	45	41	26.86	2.25	26.22	2.32	25.45	2.39	25.03	2.44	24.69	2.47	23.79	2.54	
	47	43	27.48	2.28	26.86	2.35	26.10	2.43	25.67	2.47	25.33	2.50	24.41	2.58	
50	46	27.56	2.26	27.00	2.33	26.33	2.40	25.95	2.43	25.65	2.46	24.78	2.53		
55	51	27.69	2.24	27.23	2.29	26.73	2.35	26.42	2.38	26.18	2.40	25.40	2.45		
60	56	27.83	2.22	27.47	2.26	27.13	2.30	26.90	2.32	26.71	2.33	26.03	2.37		
63	59	27.91	2.20	27.60	2.24	27.37	2.27	27.18	2.28	27.03	2.29	26.40	2.32		
68	64	27.99	2.19	27.74	2.21	27.61	2.24	27.46	2.25	27.35	2.25	26.78	2.27		
9 + 18	-4	-4.4	10.24	1.92	9.61	2.00	9.47	2.02	9.34	2.03	9.24	2.04	8.84	2.12	
	0	-0.4	11.79	1.95	11.16	2.03	10.94	2.06	10.78	2.08	10.64	2.09	10.20	2.17	
	5	4.5	14.36	1.99	13.67	2.07	13.36	2.11	13.15	2.13	12.97	2.15	12.45	2.22	
	10	9	16.46	2.03	15.79	2.10	15.35	2.15	15.09	2.18	14.88	2.21	14.29	2.28	
	17	15	18.77	2.08	18.12	2.15	17.55	2.22	17.23	2.25	16.98	2.28	16.33	2.35	
	20	19	20.18	2.12	19.53	2.18	18.88	2.26	18.53	2.30	18.25	2.33	17.55	2.40	
	25	23	22.52	2.18	21.85	2.24	21.09	2.33	20.70	2.37	20.37	2.41	19.61	2.47	
	30	28	24.88	2.25	24.11	2.32	23.28	2.40	22.85	2.45	22.51	2.49	21.69	2.55	
	35	32	27.11	2.32	26.25	2.40	25.36	2.47	24.90	2.52	24.54	2.57	23.65	2.63	
	40	36	28.50	2.39	27.70	2.47	26.81	2.54	26.35	2.60	25.98	2.64	25.04	2.71	
	45	41	30.22	2.47	29.50	2.56	28.63	2.64	28.16	2.68	27.78	2.72	26.77	2.80	
	47	43	30.91	2.51	30.22	2.59	29.36	2.67	28.88	2.72	28.50	2.76	27.46	2.84	
50	46	31.00	2.49	30.38	2.57	29.63	2.64	29.20	2.68	28.85	2.71	27.88	2.79		
55	51	31.16	2.47	30.64	2.53	30.07	2.59	29.73	2.62	29.45	2.64	28.58	2.70		
60	56	31.31	2.44	30.90	2.49	30.52	2.53	30.26	2.55	30.05	2.57	29.28	2.61		
63	59	31.40	2.42	31.06	2.46	30.79	2.50	30.58	2.51	30.41	2.52	29.70	2.55		
68	64	31.49	2.41	31.21	2.44	31.06	2.47	30.90	2.47	30.77	2.48	30.13	2.50		

# MULTI ZONE

## 7. Capacity tables

Models : MR36TQY3JMA

### ■ Mixed type indoor unit

#### Heating capacity

Operation	Combination Capacity Index (kBtu/h)	Outdoor Air Temp.		Indoor Air Temp.: °FDB																										
				61		64		68		70		72		75																
				TC	PI	TC	PI	TC	PI	TC	PI	TC	PI	TC	PI															
2 UNIT	12 + 18	°F DB	°F WB	kBtu/h	kW	kBtu/h	kW	kBtu/h	kW	kBtu/h	kW	kBtu/h	kW	kBtu/h	kW	kBtu/h	kW													
		-4	-4.4	11.37	2.07	10.67	2.15	10.52	2.17	10.38	2.19	10.26	2.20	9.82	2.28	0	-0.4	13.09	2.10	12.40	2.18	12.15	2.22	11.97	2.24	11.82	2.25	11.33	2.33	
		5	4.5	15.50	2.15	14.76	2.23	14.41	2.27	14.18	2.30	14.00	2.32	13.43	2.40	10	9	17.76	2.19	17.04	2.26	16.56	2.32	16.28	2.35	16.06	2.38	15.43	2.45	
		17	15	20.26	2.24	19.56	2.31	18.94	2.39	18.59	2.43	18.32	2.46	17.62	2.53	20	19	21.77	2.28	21.08	2.35	20.37	2.43	20.00	2.47	19.69	2.51	18.94	2.58	
		25	23	24.32	2.35	23.60	2.41	22.78	2.51	22.35	2.56	22.01	2.60	21.18	2.67	30	28	27.22	2.42	26.38	2.50	25.47	2.58	25.01	2.64	24.63	2.68	23.73	2.75	
		35	32	30.12	2.50	29.16	2.59	28.17	2.66	27.66	2.72	27.26	2.77	26.27	2.84	40	36	31.65	2.57	30.76	2.66	29.78	2.74	29.27	2.80	28.85	2.84	27.81	2.92	
		45	41	33.57	2.67	32.77	2.75	31.80	2.84	31.28	2.89	30.85	2.93	30.85	2.93	45	41	33.57	2.67	32.77	2.75	31.80	2.84	31.28	2.89	30.85	2.93	29.73	3.02	
		47	43	34.34	2.70	33.57	2.79	32.61	2.88	32.08	2.93	31.65	2.97	30.50	3.06	50	46	34.44	2.68	33.75	2.77	32.91	2.85	32.43	2.89	32.05	2.92	30.97	3.00	
		55	51	34.61	2.66	34.03	2.72	33.41	2.79	33.02	2.82	32.72	2.84	31.75	2.90	60	56	34.78	2.63	34.32	2.68	33.90	2.73	33.61	2.75	33.38	2.76	32.53	2.81	
		63	59	34.88	2.61	34.50	2.65	34.20	2.69	33.97	2.71	33.78	2.72	32.99	2.75	68	64	34.98	2.59	34.67	2.63	34.50	2.66	34.32	2.67	34.18	2.67	33.47	2.69	
		18 + 18	-4	-4.4	12.40	2.16	11.64	2.24	11.48	2.27	11.32	2.29	11.19	2.30	10.72	2.38	0	-0.4	14.28	2.20	13.52	2.28	13.26	2.32	13.06	2.34	12.90	2.35	12.36	2.44
			5	4.5	16.59	2.24	15.83	2.32	15.44	2.37	15.19	2.40	14.99	2.42	14.38	2.50	10	9	18.70	2.29	17.95	2.36	17.44	2.42	17.14	2.46	16.90	2.48	16.24	2.56
			17	15	21.52	2.34	20.77	2.42	20.11	2.49	19.75	2.53	19.46	2.57	18.71	2.64	20	19	23.40	2.38	22.65	2.45	21.89	2.54	21.49	2.58	21.16	2.62	20.36	2.69
			25	23	26.54	2.45	25.75	2.52	24.86	2.62	24.38	2.67	24.01	2.71	23.11	2.78	30	28	29.70	2.53	28.78	2.61	27.79	2.70	27.28	2.75	26.87	2.80	25.89	2.87
	35		32	32.86	2.61	31.81	2.71	30.73	2.77	30.18	2.84	29.74	2.89	28.66	2.96	40	36	34.53	2.69	33.56	2.78	32.49	2.86	31.93	2.92	31.48	2.97	30.34	3.05	
	45		41	36.63	2.78	35.75	2.88	34.70	2.97	34.12	3.02	33.66	3.06	32.44	3.15	47	43	37.47	2.82	36.63	2.91	35.58	3.01	35.00	3.06	34.53	3.10	33.28	3.19	
	50		46	37.58	2.80	36.82	2.89	35.91	2.97	35.39	3.02	34.97	3.05	33.79	3.13	55	51	37.76	2.77	37.13	2.84	36.45	2.91	36.03	2.94	35.69	2.97	34.64	3.03	
	60		56	37.94	2.74	37.45	2.80	36.99	2.85	36.67	2.87	36.42	2.89	35.49	2.93	63	59	38.05	2.73	37.64	2.77	37.31	2.81	37.06	2.83	36.85	2.84	36.00	2.87	
	68		64	38.16	2.71	37.83	2.74	37.64	2.78	37.45	2.78	37.29	2.79	36.51	2.81															

Part 2 Product data\_ Outdoor units

### 70 \_ Multiple piping type

# 7. Capacity tables

Models : MR36TQY3JMA

■ Mixed type indoor unit

## Heating capacity

Operation	Combination Capacity Index (kBtu/h)	Outdoor Air Temp.		Indoor Air Temp.: °FDB												
				61		64		68		70		72		75		
		°F DB	°F WB	kBtu/h	kW	kBtu/h	kW	kBtu/h	kW	kBtu/h	kW	kBtu/h	kW	kBtu/h	kW	
3 UNIT	9 + 12 + 12	-4	-4.4	12.40	2.03	11.64	2.11	11.48	2.14	11.32	2.15	11.19	2.16	10.72	2.24	
		0	-0.4	14.28	2.07	13.52	2.15	13.26	2.18	13.06	2.20	12.90	2.21	12.36	2.29	
		5	4.5	16.59	2.11	15.83	2.19	15.44	2.23	15.19	2.26	14.99	2.28	14.38	2.35	
		10	9	18.70	2.15	17.95	2.22	17.44	2.28	17.14	2.31	16.90	2.34	16.24	2.41	
		17	15	21.52	2.20	20.77	2.28	20.11	2.35	19.75	2.38	19.46	2.42	18.71	2.49	
		20	19	23.40	2.24	22.65	2.31	21.89	2.39	21.49	2.43	21.16	2.47	20.36	2.54	
		25	23	26.54	2.31	25.75	2.37	24.86	2.46	24.38	2.51	24.01	2.55	23.11	2.62	
		30	28	29.70	2.38	28.78	2.46	27.79	2.54	27.28	2.59	26.87	2.64	25.89	2.70	
		35	32	32.86	2.46	31.81	2.55	30.73	2.61	30.18	2.67	29.74	2.72	28.66	2.79	
		40	36	34.53	2.53	33.56	2.62	32.49	2.69	31.93	2.75	31.48	2.79	30.34	2.87	
		45	41	36.63	2.62	35.75	2.71	34.70	2.79	34.12	2.84	33.66	2.88	32.44	2.97	
		47	43	37.47	2.66	36.63	2.74	35.58	2.83	35.00	2.88	34.53	2.92	33.28	3.01	
	50	46	37.58	2.64	36.82	2.72	35.91	2.80	35.39	2.84	34.97	2.87	33.79	2.95		
	55	51	37.76	2.61	37.13	2.68	36.45	2.74	36.03	2.77	35.69	2.80	34.64	2.85		
	60	56	37.94	2.58	37.45	2.63	36.99	2.68	36.67	2.70	36.42	2.72	35.49	2.76		
	63	59	38.05	2.57	37.64	2.61	37.31	2.65	37.06	2.66	36.85	2.67	36.00	2.70		
	68	64	38.16	2.55	37.83	2.58	37.64	2.61	37.45	2.62	37.29	2.63	36.51	2.65		
	3 UNIT	9 + 9 + 18	-4	-4.4	12.40	2.03	11.64	2.11	11.48	2.14	11.32	2.15	11.19	2.16	10.72	2.24
			0	-0.4	14.28	2.07	13.52	2.15	13.26	2.18	13.06	2.20	12.90	2.21	12.36	2.29
			5	4.5	16.59	2.11	15.83	2.19	15.44	2.23	15.19	2.26	14.99	2.28	14.38	2.35
			10	9	18.70	2.15	17.95	2.22	17.44	2.28	17.14	2.31	16.90	2.34	16.24	2.41
			17	15	21.52	2.20	20.77	2.28	20.11	2.35	19.75	2.38	19.46	2.42	18.71	2.49
			20	19	23.40	2.24	22.65	2.31	21.89	2.39	21.49	2.43	21.16	2.47	20.36	2.54
			25	23	26.54	2.31	25.75	2.37	24.86	2.46	24.38	2.51	24.01	2.55	23.11	2.62
			30	28	29.70	2.38	28.78	2.46	27.79	2.54	27.28	2.59	26.87	2.64	25.89	2.70
			35	32	32.86	2.46	31.81	2.55	30.73	2.61	30.18	2.67	29.74	2.72	28.66	2.79
			40	36	34.53	2.53	33.56	2.62	32.49	2.69	31.93	2.75	31.48	2.79	30.34	2.87
			45	41	36.63	2.62	35.75	2.71	34.70	2.79	34.12	2.84	33.66	2.88	32.44	2.97
47			43	37.47	2.66	36.63	2.74	35.58	2.83	35.00	2.88	34.53	2.92	33.28	3.01	
50		46	37.58	2.64	36.82	2.72	35.91	2.80	35.39	2.84	34.97	2.87	33.79	2.95		
55		51	37.76	2.61	37.13	2.68	36.45	2.74	36.03	2.77	35.69	2.80	34.64	2.85		
60		56	37.94	2.58	37.45	2.63	36.99	2.68	36.67	2.70	36.42	2.72	35.49	2.76		
63		59	38.05	2.57	37.64	2.61	37.31	2.65	37.06	2.66	36.85	2.67	36.00	2.70		
68		64	38.16	2.55	37.83	2.58	37.64	2.61	37.45	2.62	37.29	2.63	36.51	2.65		
3 UNIT		12 + 12 + 12	-4	-4.4	12.40	2.03	11.64	2.11	11.48	2.14	11.32	2.15	11.19	2.16	10.72	2.24
			0	-0.4	14.28	2.07	13.52	2.15	13.26	2.18	13.06	2.20	12.90	2.21	12.36	2.29
			5	4.5	16.59	2.11	15.83	2.19	15.44	2.23	15.19	2.26	14.99	2.28	14.38	2.35
			10	9	18.70	2.15	17.95	2.22	17.44	2.28	17.14	2.31	16.90	2.34	16.24	2.41
			17	15	21.52	2.20	20.77	2.28	20.11	2.35	19.75	2.38	19.46	2.42	18.71	2.49
			20	19	23.40	2.24	22.65	2.31	21.89	2.39	21.49	2.43	21.16	2.47	20.36	2.54
			25	23	26.54	2.31	25.75	2.37	24.86	2.46	24.38	2.51	24.01	2.55	23.11	2.62
			30	28	29.70	2.38	28.78	2.46	27.79	2.54	27.28	2.59	26.87	2.64	25.89	2.70
			35	32	32.86	2.46	31.81	2.55	30.73	2.61	30.18	2.67	29.74	2.72	28.66	2.79
			40	36	34.53	2.53	33.56	2.62	32.49	2.69	31.93	2.75	31.48	2.79	30.34	2.87
			45	41	36.63	2.62	35.75	2.71	34.70	2.79	34.12	2.84	33.66	2.88	32.44	2.97
	47		43	37.47	2.66	36.63	2.74	35.58	2.83	35.00	2.88	34.53	2.92	33.28	3.01	
	50	46	37.58	2.64	36.82	2.72	35.91	2.80	35.39	2.84	34.97	2.87	33.79	2.95		
	55	51	37.76	2.61	37.13	2.68	36.45	2.74	36.03	2.77	35.69	2.80	34.64	2.85		
	60	56	37.94	2.58	37.45	2.63	36.99	2.68	36.67	2.70	36.42	2.72	35.49	2.76		
	63	59	38.05	2.57	37.64	2.61	37.31	2.65	37.06	2.66	36.85	2.67	36.00	2.70		
	68	64	38.16	2.55	37.83	2.58	37.64	2.61	37.45	2.62	37.29	2.63	36.51	2.65		
	3 UNIT	9 + 12 + 18	-4	-4.4	12.40	2.03	11.64	2.11	11.48	2.14	11.32	2.15	11.19	2.16	10.72	2.24
			0	-0.4	14.28	2.07	13.52	2.15	13.26	2.18	13.06	2.20	12.90	2.21	12.36	2.29
			5	4.5	16.59	2.11	15.83	2.19	15.44	2.23	15.19	2.26	14.99	2.28	14.38	2.35
			10	9	18.70	2.15	17.95	2.22	17.44	2.28	17.14	2.31	16.90	2.34	16.24	2.41
			17	15	21.52	2.20	20.77	2.28	20.11	2.35	19.75	2.38	19.46	2.42	18.71	2.49
			20	19	23.40	2.24	22.65	2.31	21.89	2.39	21.49	2.43	21.16	2.47	20.36	2.54
			25	23	26.54	2.31	25.75	2.37	24.86	2.46	24.38	2.51	24.01	2.55	23.11	2.62
			30	28	29.70	2.38	28.78	2.46	27.79	2.54	27.28	2.59	26.87	2.64	25.89	2.70
			35	32	32.86	2.46	31.81	2.55	30.73	2.61	30.18	2.67	29.74	2.72	28.66	2.79
			40	36	34.53	2.53	33.56	2.62	32.49	2.69	31.93	2.75	31.48	2.79	30.34	2.87
			45	41	36.63	2.62	35.75	2.71	34.70	2.79	34.12	2.84	33.66	2.88	32.44	2.97
47			43	37.47	2.66	36.63	2.74	35.58	2.83	35.00	2.88	34.53	2.92	33.28	3.01	
50		46	37.58	2.64	36.82	2.72	35.91	2.80	35.39	2.84	34.97	2.87	33.79	2.95		
55		51	37.76	2.61	37.13	2.68	36.45	2.74	36.03	2.77	35.69	2.80	34.64	2.85		
60		56	37.94	2.58	37.45	2.63	36.99	2.68	36.67	2.70	36.42	2.72	35.49	2.76		
63		59	38.05	2.57	37.64	2.61	37.31	2.65	37.06	2.66	36.85	2.67	36.00	2.70		
68		64	38.16	2.55	37.83	2.58	37.64	2.61	37.45	2.62	37.29	2.63	36.51	2.65		

# MULTI ZONE

## 7. Capacity tables

Models : MR36TQY3JMA

### ■ Mixed type indoor unit

#### Heating capacity

Operation	Combination Capacity Index (kBtu/h)	Outdoor Air Temp.		Indoor Air Temp.: °FDB												
				61		64		68		70		72		75		
				TC	PI	TC	PI	TC	PI	TC	PI	TC	PI	TC	PI	
3 UNIT	12 + 12 + 18	-4	-4.4	12.40	2.03	11.64	2.11	11.48	2.14	11.32	2.15	11.19	2.16	10.72	2.24	
		0	-0.4	14.28	2.07	13.52	2.15	13.26	2.18	13.06	2.20	12.90	2.21	12.36	2.29	
		5	4.5	16.59	2.11	15.83	2.19	15.44	2.23	15.19	2.26	14.99	2.28	14.38	2.35	
		10	9	18.70	2.15	17.95	2.22	17.44	2.28	17.14	2.31	16.90	2.34	16.24	2.41	
		17	15	21.52	2.20	20.77	2.28	20.11	2.35	19.75	2.38	19.46	2.42	18.71	2.49	
		20	19	23.40	2.24	22.65	2.31	21.89	2.39	21.49	2.43	21.16	2.47	20.36	2.54	
		25	23	26.54	2.31	25.75	2.37	24.86	2.46	24.38	2.51	24.01	2.55	23.11	2.62	
		30	28	29.70	2.38	28.78	2.46	27.79	2.54	27.28	2.59	26.87	2.64	25.89	2.70	
		35	32	32.86	2.46	31.81	2.55	30.73	2.61	30.18	2.67	29.74	2.72	28.66	2.79	
		40	36	34.53	2.53	33.56	2.62	32.49	2.69	31.93	2.75	31.48	2.79	30.34	2.87	
		45	41	36.63	2.62	35.75	2.71	34.70	2.79	34.12	2.84	33.66	2.88	32.44	2.97	
		47	43	37.47	2.66	36.63	2.74	35.58	2.83	35.00	2.88	34.53	2.92	33.28	3.01	
		50	46	37.58	2.64	36.82	2.72	35.91	2.80	35.39	2.84	34.97	2.87	33.79	2.95	
		55	51	37.76	2.61	37.13	2.68	36.45	2.74	36.03	2.77	35.69	2.80	34.64	2.85	
		60	56	37.94	2.58	37.45	2.63	36.99	2.68	36.67	2.70	36.42	2.72	35.49	2.76	
		63	59	38.05	2.57	37.64	2.61	37.31	2.65	37.06	2.66	36.85	2.67	36.00	2.70	
		68	64	38.16	2.55	37.83	2.58	37.64	2.61	37.45	2.62	37.29	2.63	36.51	2.65	
		9 + 18 + 18	-4	-4.4	12.40	2.03	11.64	2.11	11.48	2.14	11.32	2.15	11.19	2.16	10.72	2.24
	0		-0.4	14.28	2.07	13.52	2.15	13.26	2.18	13.06	2.20	12.90	2.21	12.36	2.29	
	5		4.5	16.59	2.11	15.83	2.19	15.44	2.23	15.19	2.26	14.99	2.28	14.38	2.35	
	10		9	18.70	2.15	17.95	2.22	17.44	2.28	17.14	2.31	16.90	2.34	16.24	2.41	
	17		15	21.52	2.20	20.77	2.28	20.11	2.35	19.75	2.38	19.46	2.42	18.71	2.49	
	20		19	23.40	2.24	22.65	2.31	21.89	2.39	21.49	2.43	21.16	2.47	20.36	2.54	
	25		23	26.54	2.31	25.75	2.37	24.86	2.46	24.38	2.51	24.01	2.55	23.11	2.62	
	30		28	29.70	2.38	28.78	2.46	27.79	2.54	27.28	2.59	26.87	2.64	25.89	2.70	
	35		32	32.86	2.46	31.81	2.55	30.73	2.61	30.18	2.67	29.74	2.72	28.66	2.79	
	40		36	34.53	2.53	33.56	2.62	32.49	2.69	31.93	2.75	31.48	2.79	30.34	2.87	
	45		41	36.63	2.62	35.75	2.71	34.70	2.79	34.12	2.84	33.66	2.88	32.44	2.97	
	47		43	37.47	2.66	36.63	2.74	35.58	2.83	35.00	2.88	34.53	2.92	33.28	3.01	
	50		46	37.58	2.64	36.82	2.72	35.91	2.80	35.39	2.84	34.97	2.87	33.79	2.95	
	55		51	37.76	2.61	37.13	2.68	36.45	2.74	36.03	2.77	35.69	2.80	34.64	2.85	
	60		56	37.94	2.58	37.45	2.63	36.99	2.68	36.67	2.70	36.42	2.72	35.49	2.76	
	63		59	38.05	2.57	37.64	2.61	37.31	2.65	37.06	2.66	36.85	2.67	36.00	2.70	
	68		64	38.16	2.55	37.83	2.58	37.64	2.61	37.45	2.62	37.29	2.63	36.51	2.65	
	12 + 18 + 18		-4	-4.4	12.40	2.03	11.64	2.11	11.48	2.14	11.32	2.15	11.19	2.16	10.72	2.24
		0	-0.4	14.28	2.07	13.52	2.15	13.26	2.18	13.06	2.20	12.90	2.21	12.36	2.29	
		5	4.5	16.59	2.11	15.83	2.19	15.44	2.23	15.19	2.26	14.99	2.28	14.38	2.35	
		10	9	18.70	2.15	17.95	2.22	17.44	2.28	17.14	2.31	16.90	2.34	16.24	2.41	
		17	15	21.52	2.20	20.77	2.28	20.11	2.35	19.75	2.38	19.46	2.42	18.71	2.49	
		20	19	23.40	2.24	22.65	2.31	21.89	2.39	21.49	2.43	21.16	2.47	20.36	2.54	
		25	23	26.54	2.31	25.75	2.37	24.86	2.46	24.38	2.51	24.01	2.55	23.11	2.62	
		30	28	29.70	2.38	28.78	2.46	27.79	2.54	27.28	2.59	26.87	2.64	25.89	2.70	
		35	32	32.86	2.46	31.81	2.55	30.73	2.61	30.18	2.67	29.74	2.72	28.66	2.79	
		40	36	34.53	2.53	33.56	2.62	32.49	2.69	31.93	2.75	31.48	2.79	30.34	2.87	
		45	41	36.63	2.62	35.75	2.71	34.70	2.79	34.12	2.84	33.66	2.88	32.44	2.97	
		47	43	37.47	2.66	36.63	2.74	35.58	2.83	35.00	2.88	34.53	2.92	33.28	3.01	
		50	46	37.58	2.64	36.82	2.72	35.91	2.80	35.39	2.84	34.97	2.87	33.79	2.95	
		55	51	37.76	2.61	37.13	2.68	36.45	2.74	36.03	2.77	35.69	2.80	34.64	2.85	
		60	56	37.94	2.58	37.45	2.63	36.99	2.68	36.67	2.70	36.42	2.72	35.49	2.76	
		63	59	38.05	2.57	37.64	2.61	37.31	2.65	37.06	2.66	36.85	2.67	36.00	2.70	
		68	64	38.16	2.55	37.83	2.58	37.64	2.61	37.45	2.62	37.29	2.63	36.51	2.65	
		4 UNIT	9 + 9 + 9 + 9	-4	-4.4	12.40	1.97	11.64	2.05	11.48	2.07	11.32	2.08	11.19	2.10	10.72
	0			-0.4	14.28	2.00	13.52	2.08	13.26	2.11	13.06	2.13	12.90	2.15	12.36	2.22
	5			4.5	16.59	2.05	15.83	2.12	15.44	2.16	15.19	2.19	14.99	2.21	14.38	2.28
	10			9	18.70	2.08	17.95	2.16	17.44	2.21	17.14	2.24	16.90	2.26	16.24	2.34
	17			15	21.52	2.14	20.77	2.20	20.11	2.27	19.75	2.31	19.46	2.34	18.71	2.41
	20			19	23.40	2.17	22.65	2.24	21.89	2.31	21.49	2.36	21.16	2.39	20.36	2.46
	25			23	26.54	2.23	25.75	2.30	24.86	2.39	24.38	2.43	24.01	2.47	23.11	2.54
	30			28	29.70	2.31	28.78	2.38	27.79	2.46	27.28	2.51	26.87	2.55	25.89	2.62
	35			32	32.86	2.38	31.81	2.47	30.73	2.53	30.18	2.59	29.74	2.64	28.66	2.70
	40			36	34.53	2.45	33.56	2.54	32.49	2.61	31.93	2.66	31.48	2.71	30.34	2.78
	45			41	36.63	2.54	35.75	2.62	34.70	2.70	34.12	2.75	33.66	2.79	32.44	2.87
	47			43	37.47	2.57	36.63	2.66	35.58	2.74	35.00	2.79	34.53	2.83	33.28	2.91
	50			46	37.58	2.56	36.82	2.63	35.91	2.71	35.39	2.75	34.97	2.78	33.79	2.86
	55			51	37.76	2.53	37.13	2.59	36.45	2.65	36.03	2.68	35.69	2.71	34.64	2.77
	60			56	37.94	2.50	37.45	2.55	36.99	2.60	36.67	2.62	36.42	2.63	35.49	2.67
	63			59	38.05	2.49	37.64	2.53	37.31	2.56	37.06	2.58	36.85	2.59	36.00	2.62
	68			64	38.16	2.47	37.83	2.50	37.64	2.53	37.45	2.54	37.29	2.54	36.51	2.56

# MULTI ZONE

## 7. Capacity tables

Models : MR36TQY3JMA

### ■ Mixed type indoor unit

#### Heating capacity

Operation	Combination Capacity Index (kBtu/h)	Outdoor Air Temp.		Indoor Air Temp.: °FDB												
				61		64		68		70		72		75		
				TC	PI	TC	PI	TC	PI	TC	PI	TC	PI	TC	PI	
4 UNIT	9 + 9 + 9 + 12	-4	-4.4	12.40	1.97	11.64	2.05	11.48	2.07	11.32	2.08	11.19	2.10	10.72	2.17	
		0	-0.4	14.28	2.00	13.52	2.08	13.26	2.11	13.06	2.13	12.90	2.15	12.36	2.22	
		5	4.5	16.59	2.05	15.83	2.12	15.44	2.16	15.19	2.19	14.99	2.21	14.38	2.28	
		10	9	18.70	2.08	17.95	2.16	17.44	2.21	17.14	2.24	16.90	2.26	16.24	2.34	
		17	15	21.52	2.14	20.77	2.20	20.11	2.27	19.75	2.31	19.46	2.34	18.71	2.41	
		20	19	23.40	2.17	22.65	2.24	21.89	2.31	21.49	2.36	21.16	2.39	20.36	2.46	
		25	23	26.54	2.23	25.75	2.30	24.86	2.39	24.38	2.43	24.01	2.47	23.11	2.54	
		30	28	29.70	2.31	28.78	2.38	27.79	2.46	27.28	2.51	26.87	2.55	25.89	2.62	
		35	32	32.86	2.38	31.81	2.47	30.73	2.53	30.18	2.59	29.74	2.64	28.66	2.70	
		40	36	34.53	2.45	33.56	2.54	32.49	2.61	31.93	2.66	31.48	2.71	30.34	2.78	
		45	41	36.63	2.54	35.75	2.62	34.70	2.70	34.12	2.75	33.66	2.79	32.44	2.87	
		47	43	37.47	2.57	36.63	2.66	35.58	2.74	35.00	2.79	34.53	2.83	33.28	2.91	
		50	46	37.58	2.56	36.82	2.63	35.91	2.71	35.39	2.75	34.97	2.78	33.79	2.86	
		55	51	37.76	2.53	37.13	2.59	36.45	2.65	36.03	2.68	35.69	2.71	34.64	2.77	
		60	56	37.94	2.50	37.45	2.55	36.99	2.60	36.67	2.62	36.42	2.63	35.49	2.67	
		63	59	38.05	2.49	37.64	2.53	37.31	2.56	37.06	2.58	36.85	2.59	36.00	2.62	
		68	64	38.16	2.47	37.83	2.50	37.64	2.53	37.45	2.54	37.29	2.54	36.51	2.56	
		9 + 9 + 12 + 12	-4	-4.4	12.40	1.97	11.64	2.05	11.48	2.07	11.32	2.08	11.19	2.10	10.72	2.17
			0	-0.4	14.28	2.00	13.52	2.08	13.26	2.11	13.06	2.13	12.90	2.15	12.36	2.22
			5	4.5	16.59	2.05	15.83	2.12	15.44	2.16	15.19	2.19	14.99	2.21	14.38	2.28
	10		9	18.70	2.08	17.95	2.16	17.44	2.21	17.14	2.24	16.90	2.26	16.24	2.34	
	17		15	21.52	2.14	20.77	2.20	20.11	2.27	19.75	2.31	19.46	2.34	18.71	2.41	
	20		19	23.40	2.17	22.65	2.24	21.89	2.31	21.49	2.36	21.16	2.39	20.36	2.46	
	25		23	26.54	2.23	25.75	2.30	24.86	2.39	24.38	2.43	24.01	2.47	23.11	2.54	
	30		28	29.70	2.31	28.78	2.38	27.79	2.46	27.28	2.51	26.87	2.55	25.89	2.62	
	35		32	32.86	2.38	31.81	2.47	30.73	2.53	30.18	2.59	29.74	2.64	28.66	2.70	
	40		36	34.53	2.45	33.56	2.54	32.49	2.61	31.93	2.66	31.48	2.71	30.34	2.78	
	45		41	36.63	2.54	35.75	2.62	34.70	2.70	34.12	2.75	33.66	2.79	32.44	2.87	
	47		43	37.47	2.57	36.63	2.66	35.58	2.74	35.00	2.79	34.53	2.83	33.28	2.91	
	50		46	37.58	2.56	36.82	2.63	35.91	2.71	35.39	2.75	34.97	2.78	33.79	2.86	
	55		51	37.76	2.53	37.13	2.59	36.45	2.65	36.03	2.68	35.69	2.71	34.64	2.77	
	60		56	37.94	2.50	37.45	2.55	36.99	2.60	36.67	2.62	36.42	2.63	35.49	2.67	
	63		59	38.05	2.49	37.64	2.53	37.31	2.56	37.06	2.58	36.85	2.59	36.00	2.62	
	68		64	38.16	2.47	37.83	2.50	37.64	2.53	37.45	2.54	37.29	2.54	36.51	2.56	
	9 + 9 + 9 + 18		-4	-4.4	12.40	1.97	11.64	2.05	11.48	2.07	11.32	2.08	11.19	2.10	10.72	2.17
			0	-0.4	14.28	2.00	13.52	2.08	13.26	2.11	13.06	2.13	12.90	2.15	12.36	2.22
			5	4.5	16.59	2.05	15.83	2.12	15.44	2.16	15.19	2.19	14.99	2.21	14.38	2.28
		10	9	18.70	2.08	17.95	2.16	17.44	2.21	17.14	2.24	16.90	2.26	16.24	2.34	
		17	15	21.52	2.14	20.77	2.20	20.11	2.27	19.75	2.31	19.46	2.34	18.71	2.41	
		20	19	23.40	2.17	22.65	2.24	21.89	2.31	21.49	2.36	21.16	2.39	20.36	2.46	
		25	23	26.54	2.23	25.75	2.30	24.86	2.39	24.38	2.43	24.01	2.47	23.11	2.54	
		30	28	29.70	2.31	28.78	2.38	27.79	2.46	27.28	2.51	26.87	2.55	25.89	2.62	
		35	32	32.86	2.38	31.81	2.47	30.73	2.53	30.18	2.59	29.74	2.64	28.66	2.70	
		40	36	34.53	2.45	33.56	2.54	32.49	2.61	31.93	2.66	31.48	2.71	30.34	2.78	
		45	41	36.63	2.54	35.75	2.62	34.70	2.70	34.12	2.75	33.66	2.79	32.44	2.87	
		47	43	37.47	2.57	36.63	2.66	35.58	2.74	35.00	2.79	34.53	2.83	33.28	2.91	
		50	46	37.58	2.56	36.82	2.63	35.91	2.71	35.39	2.75	34.97	2.78	33.79	2.86	
		55	51	37.76	2.53	37.13	2.59	36.45	2.65	36.03	2.68	35.69	2.71	34.64	2.77	
		60	56	37.94	2.50	37.45	2.55	36.99	2.60	36.67	2.62	36.42	2.63	35.49	2.67	
		63	59	38.05	2.49	37.64	2.53	37.31	2.56	37.06	2.58	36.85	2.59	36.00	2.62	
		68	64	38.16	2.47	37.83	2.50	37.64	2.53	37.45	2.54	37.29	2.54	36.51	2.56	
		9 + 12 + 12 + 12	-4	-4.4	12.40	1.97	11.64	2.05	11.48	2.07	11.32	2.08	11.19	2.10	10.72	2.17
			0	-0.4	14.28	2.00	13.52	2.08	13.26	2.11	13.06	2.13	12.90	2.15	12.36	2.22
			5	4.5	16.59	2.05	15.83	2.12	15.44	2.16	15.19	2.19	14.99	2.21	14.38	2.28
	10		9	18.70	2.08	17.95	2.16	17.44	2.21	17.14	2.24	16.90	2.26	16.24	2.34	
	17		15	21.52	2.14	20.77	2.20	20.11	2.27	19.75	2.31	19.46	2.34	18.71	2.41	
	20		19	23.40	2.17	22.65	2.24	21.89	2.31	21.49	2.36	21.16	2.39	20.36	2.46	
	25		23	26.54	2.23	25.75	2.30	24.86	2.39	24.38	2.43	24.01	2.47	23.11	2.54	
	30		28	29.70	2.31	28.78	2.38	27.79	2.46	27.28	2.51	26.87	2.55	25.89	2.62	
	35		32	32.86	2.38	31.81	2.47	30.73	2.53	30.18	2.59	29.74	2.64	28.66	2.70	
	40		36	34.53	2.45	33.56	2.54	32.49	2.61	31.93	2.66	31.48	2.71	30.34	2.78	
	45		41	36.63	2.54	35.75	2.62	34.70	2.70	34.12	2.75	33.66	2.79	32.44	2.87	
	47		43	37.47	2.57	36.63	2.66	35.58	2.74	35.00	2.79	34.53	2.83	33.28	2.91	
	50		46	37.58	2.56	36.82	2.63	35.91	2.71	35.39	2.75	34.97	2.78	33.79	2.86	
	55		51	37.76	2.53	37.13	2.59	36.45	2.65	36.03	2.68	35.69	2.71	34.64	2.77	
	60		56	37.94	2.50	37.45	2.55	36.99	2.60	36.67	2.62	36.42	2.63	35.49	2.67	
	63		59	38.05	2.49	37.64	2.53	37.31	2.56	37.06	2.58	36.85	2.59	36.00	2.62	
	68		64	38.16	2.47	37.83	2.50	37.64	2.53	37.45	2.54	37.29	2.54	36.51	2.56	

Part 2 Product data Outdoor units

# MULTI ZONE

## 7. Capacity tables

Models : MR36TQY3JMA

### ■ Mixed type indoor unit

#### Heating capacity

Operation	Combination Capacity Index (kBtu/h)	Outdoor Air Temp.		Indoor Air Temp.: °FDB											
				61		64		68		70		72		75	
				TC	PI	TC	PI	TC	PI	TC	PI	TC	PI	TC	PI
4 UNIT	9 + 9 + 12 + 18	°F DB	°F WB												
		-4	-4.4	12.40	1.97	11.64	2.05	11.48	2.07	11.32	2.08	11.19	2.10	10.72	2.17
		0	-0.4	14.28	2.00	13.52	2.08	13.26	2.11	13.06	2.13	12.90	2.15	12.36	2.22
		5	4.5	16.59	2.05	15.83	2.12	15.44	2.16	15.19	2.19	14.99	2.21	14.38	2.28
		10	9	18.70	2.08	17.95	2.16	17.44	2.21	17.14	2.24	16.90	2.26	16.24	2.34
		17	15	21.52	2.14	20.77	2.20	20.11	2.27	19.75	2.31	19.46	2.34	18.71	2.41
		20	19	23.40	2.17	22.65	2.24	21.89	2.31	21.49	2.36	21.16	2.39	20.36	2.46
		25	23	26.54	2.23	25.75	2.30	24.86	2.39	24.38	2.43	24.01	2.47	23.11	2.54
		30	28	29.70	2.31	28.78	2.38	27.79	2.46	27.28	2.51	26.87	2.55	25.89	2.62
		35	32	32.86	2.38	31.81	2.47	30.73	2.53	30.18	2.59	29.74	2.64	28.66	2.70
		40	36	34.53	2.45	33.56	2.54	32.49	2.61	31.93	2.66	31.48	2.71	30.34	2.78
		45	41	36.63	2.54	35.75	2.62	34.70	2.70	34.12	2.75	33.66	2.79	32.44	2.87
		47	43	37.47	2.57	36.63	2.66	35.58	2.74	35.00	2.79	34.53	2.83	33.28	2.91
		50	46	37.58	2.56	36.82	2.63	35.91	2.71	35.39	2.75	34.97	2.78	33.79	2.86
		55	51	37.76	2.53	37.13	2.59	36.45	2.65	36.03	2.68	35.69	2.71	34.64	2.77
		60	56	37.94	2.50	37.45	2.55	36.99	2.60	36.67	2.62	36.42	2.63	35.49	2.67
	63	59	38.05	2.49	37.64	2.53	37.31	2.56	37.06	2.58	36.85	2.59	36.00	2.62	
	68	64	38.16	2.47	37.83	2.50	37.64	2.53	37.45	2.54	37.29	2.54	36.51	2.56	
	12 + 12 + 12 + 12	-4	-4.4	12.40	1.97	11.64	2.05	11.48	2.07	11.32	2.08	11.19	2.10	10.72	2.17
		0	-0.4	14.28	2.00	13.52	2.08	13.26	2.11	13.06	2.13	12.90	2.15	12.36	2.22
		5	4.5	16.59	2.05	15.83	2.12	15.44	2.16	15.19	2.19	14.99	2.21	14.38	2.28
		10	9	18.70	2.08	17.95	2.16	17.44	2.21	17.14	2.24	16.90	2.26	16.24	2.34
		17	15	21.52	2.14	20.77	2.20	20.11	2.27	19.75	2.31	19.46	2.34	18.71	2.41
		20	19	23.40	2.17	22.65	2.24	21.89	2.31	21.49	2.36	21.16	2.39	20.36	2.46
		25	23	26.54	2.23	25.75	2.30	24.86	2.39	24.38	2.43	24.01	2.47	23.11	2.54
		30	28	29.70	2.31	28.78	2.38	27.79	2.46	27.28	2.51	26.87	2.55	25.89	2.62
		35	32	32.86	2.38	31.81	2.47	30.73	2.53	30.18	2.59	29.74	2.64	28.66	2.70
		40	36	34.53	2.45	33.56	2.54	32.49	2.61	31.93	2.66	31.48	2.71	30.34	2.78
		45	41	36.63	2.54	35.75	2.62	34.70	2.70	34.12	2.75	33.66	2.79	32.44	2.87
		47	43	37.47	2.57	36.63	2.66	35.58	2.74	35.00	2.79	34.53	2.83	33.28	2.91
		50	46	37.58	2.56	36.82	2.63	35.91	2.71	35.39	2.75	34.97	2.78	33.79	2.86
		55	51	37.76	2.53	37.13	2.59	36.45	2.65	36.03	2.68	35.69	2.71	34.64	2.77
60		56	37.94	2.50	37.45	2.55	36.99	2.60	36.67	2.62	36.42	2.63	35.49	2.67	
63		59	38.05	2.49	37.64	2.53	37.31	2.56	37.06	2.58	36.85	2.59	36.00	2.62	
68	64	38.16	2.47	37.83	2.50	37.64	2.53	37.45	2.54	37.29	2.54	36.51	2.56		

#### Notes:

- Capacities are based on the following conditions.  
Corresponding refrigerant piping length : 25ft  
Level difference : 0ft
- TC : Total Capacity (kBtu/h)  
PI : Power Input (kW)

## 8. Capacity coefficient factor

### 1) Rate of change in capacity due to increased piping length

#### 9k Btu/h models

Piping Length(m(ft))	Rate of change in capacity	
	Cooling(%)	Heating(%)
7.6(25.0)	100.0	100.0
10(32.8)	98.0	99.0
15(49.2)	94.8	97.4
20(65.6)	91.6	95.8
25(82.0)	88.4	94.2

#### 18k Btu/h models

Piping Length(m(ft))	Rate of change in capacity	
	Cooling(%)	Heating(%)
7.6(25.0)	100.0	100.0
10(32.8)	98.6	99.6
15(49.2)	96.4	99.0
20(65.6)	94.1	98.3
25(82.0)	91.9	97.7

#### 12k Btu/h models

Piping Length(m(ft))	Rate of change in capacity	
	Cooling(%)	Heating(%)
7.6(25.0)	100.0	100.0
10(32.8)	97.6	98.6
15(49.2)	93.8	96.4
20(65.6)	89.9	94.1
25(82.0)	86.1	91.9

### 2) Calculation of actual system capacity

① Outdoor unit rated capacity

$$Q_{\text{odu(rated)}} \text{ [from specification table]}$$

② Outdoor unit capacity at  $T_i$ ,  $T_o$  temperature.

$$Q_{\text{odu}(T_i, T_o)} \text{ [from capacity table]}$$

③ Outdoor unit capacity coefficient factor

$$F_{(T_i, T_o)} = Q_{\text{odu}(T_i, T_o)} / Q_{\text{odu(rated)}}$$

④ Piping correction factor [from capacity coefficient factor table]

$$F_{(\text{length})} \text{ for each piping length}$$

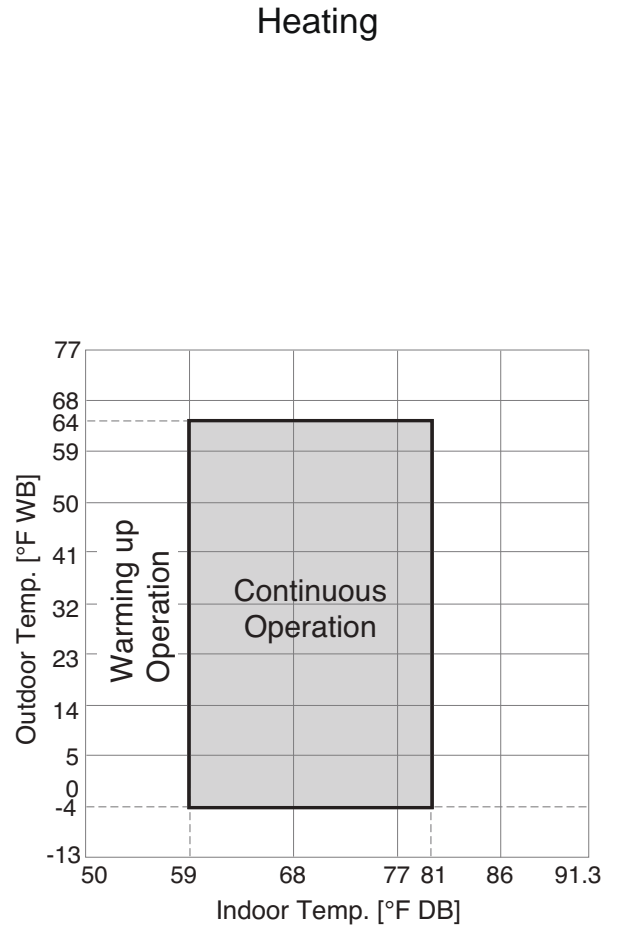
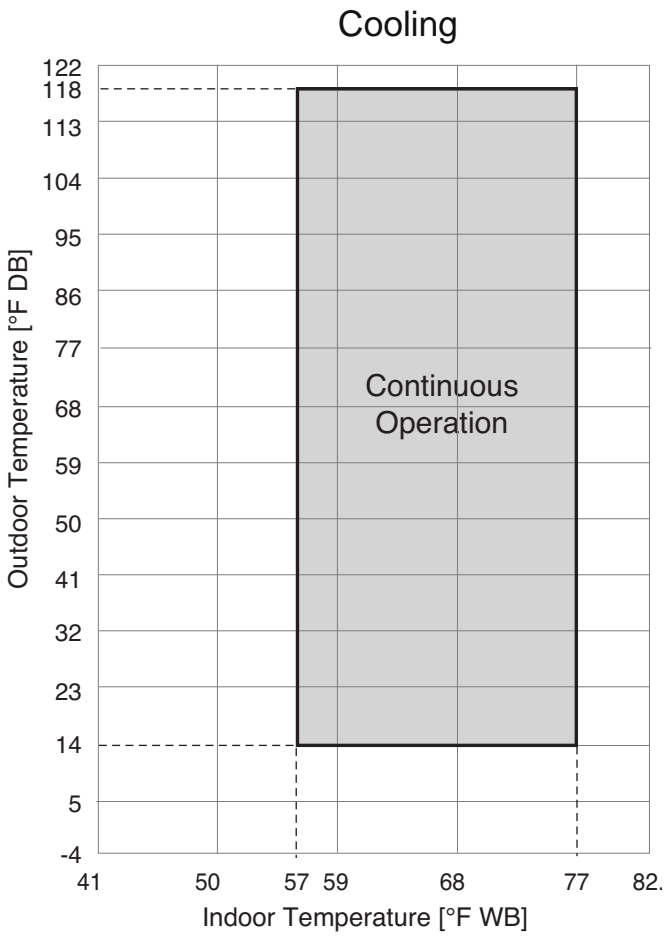
⑤ Individual indoor unit combinational capacity

$$Q_{\text{idu (combi)}} = Q_{\text{odu(rated)}} \times Q_{\text{idu(rated)}} / Q_{\text{idu(rated-total)}}$$

⑥ Individual indoor unit actual capacity

$$Q_{\text{idu (actual)}} = Q_{\text{odu(combi)}} \times F_{(T_i, T_o)} \times F_{(\text{length})}$$

# 9. Operation range

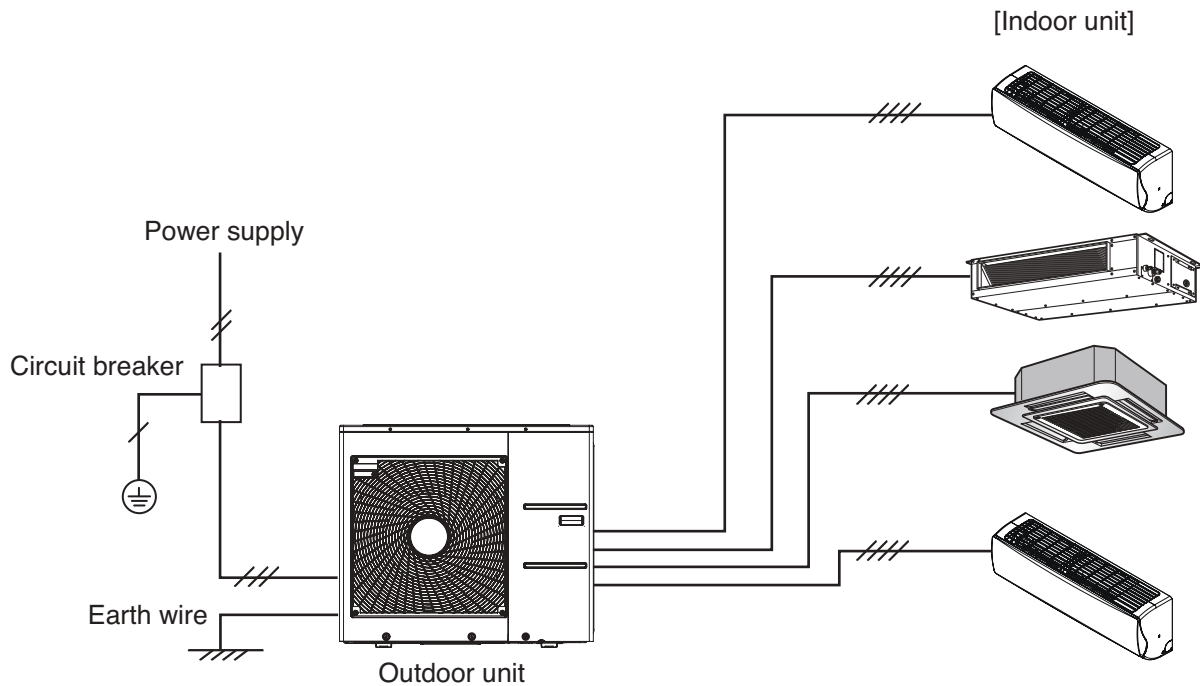


Part 2 Product data\_ Outdoor units

## 10. Electric characteristics

### External wiring procedure

- The power supply work is needed only to the outdoor unit. The power supply to the indoor unit is conducted through the power and communication wiring. Therefore, the power supply work can be carried out at just one place of the outdoor unit. It will simplify the work procedure and save cost.
- Wiring cable size must comply with the applicable local and national codes.



# MULTI ZONE

## 10. Electric characteristics

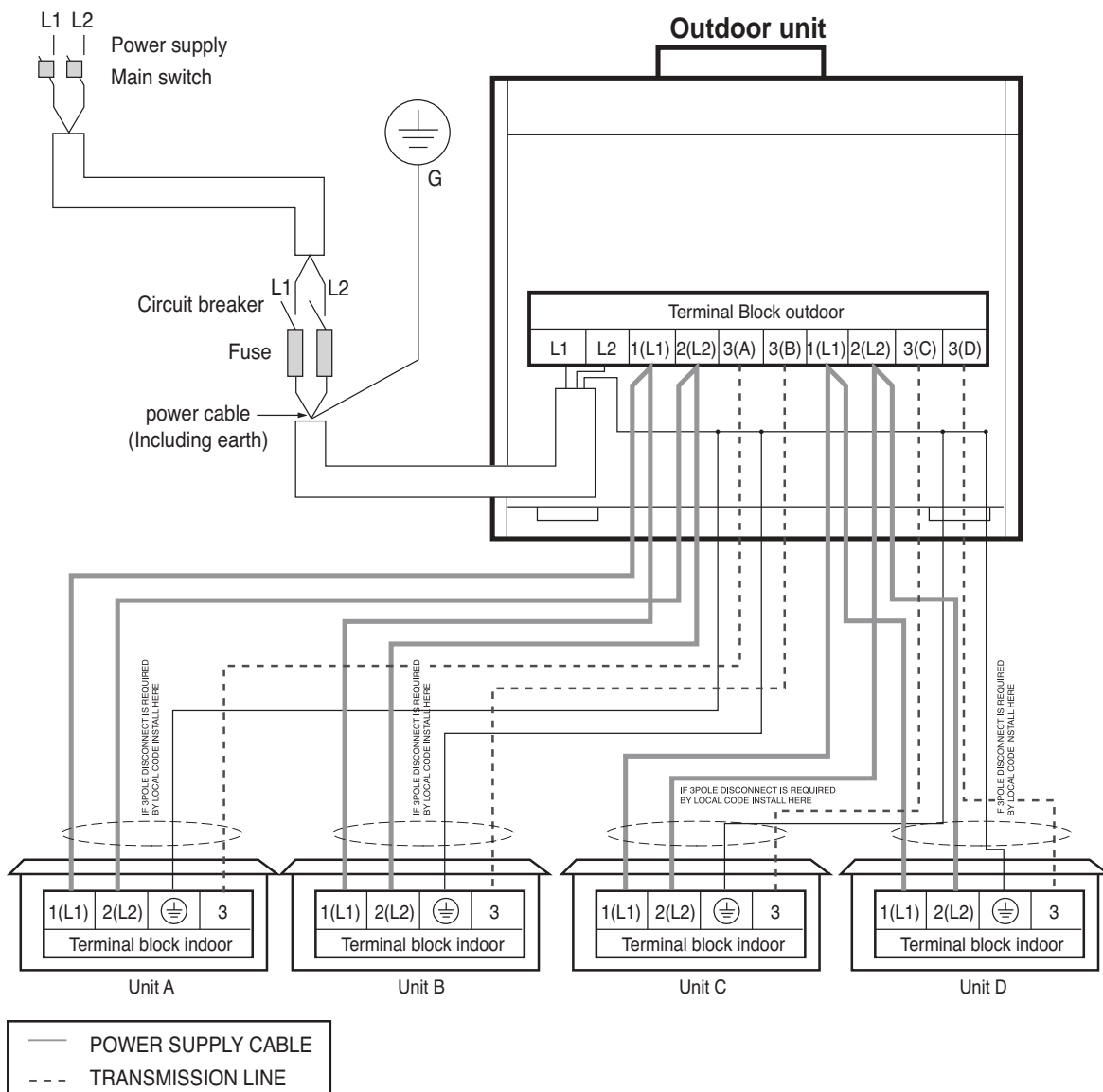
Model	Unit				Power		Compressor		OFM	
	Type	Hz	Voltage	Voltage range	MCA	MOP	MSC	RLA	kW	FLA
MR24DY3JMA	Inverter	60	208/230	MIN.:187	14.3	20	-	9.4	0.09	0.59
MR36TQY3JMA				MAX.:253	17.9	25	-	11.2	0.12	0.73

### Notes :

1. Voltage range  
Voltage supplied to the unit terminals should be within the minimum and maximum range.
2. Maximum allowable voltage unbalance between phase is 2%.
3. Select wire spec. based on the larger value of MCA.
4. RLA is measured during each individual compressor test condition.
5. OFM is measured as the outdoor unit test condition.
6. Recommended circuit breaker is ELCB (Earth Leakage Circuit Breaker).

MCA : Minimum Circuit Amperes. (A)  
MOP : Maximum rating of Overcurrent Protective device. (A)  
MSC : Maximum Starting Current. (A)  
RLA : Rated Load Amperes. (A)  
OFM : Outdoor Fan Motor.  
kW : Fan Motor rated output. (kW)  
FLA : Full Load Amperes. (A)

## 11. Field wiring diagrams



### Notes:

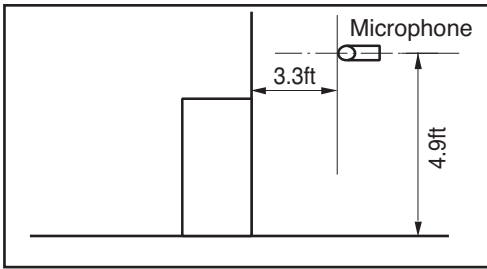
1. All wirings, components and materials to be procured on the site should be according to the standard
2. Use copper conductor only
3. Install circuit breaker for safety
4. Unit should be grounded in compliance with the applicable local and national codes
5. Wiring cable size must comply with the applicable local and national code.

### ⚠ WARNING

- Indoor Unit ground lines are required for preventing electrical shock accident during current leakage, communication disorder by noise effect and motor current leakage (Do not connect the ground line to pipe).
- Do not install an individual switch or electrical outlet to disconnect each indoor unit separately from the power supply.
- Install a main switch that can interrupt all power sources in an integrated manner because this system consists of equipment utilizing multiple power sources.
- If the possibility exists of reversed phase, lose phase, momentary blackout or the power goes on and off while the product is operating, attach a local reversed phase protection circuit.
- Running the product in reversed phase may break the compressor and other parts.

# 12. Sound levels

## Overall



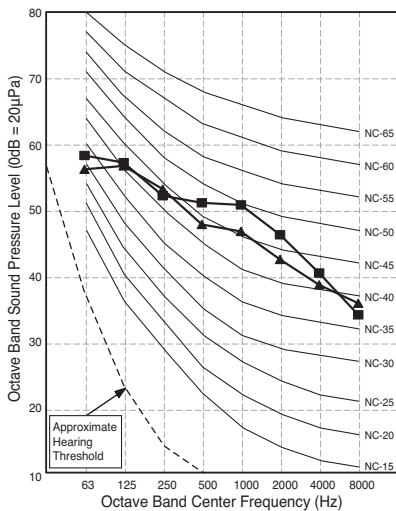
**Notes:**

- Sound measured at 3.3ft away from the unit.
- Data is valid at free field condition.
- Data is valid at nominal operation condition.
- Reference acoustic pressure 0dB=20μPa.
- Sound level will vary depending on a range of factors such as the construction(acoustic absorption coefficient) of particular room in which the equipment is installed.
- The operating conditions are assumed to be standard.

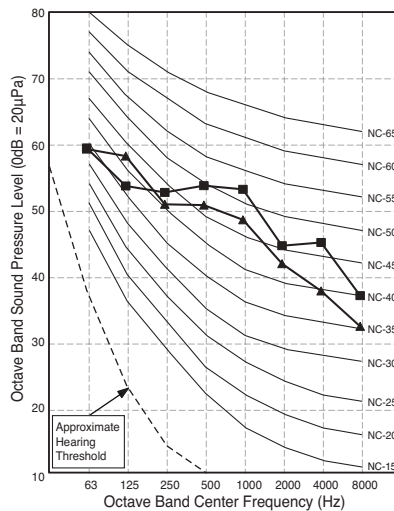
Model	Sound Pressure Level [dB(A)]	
	Cooling	Heating
MR24DY3JMA	49	52
MR36TQY3JMA	52	55

## Sound pressure level

**MR24DY3JMA**



**MR36TQY3JMA**



# MULTI ZONE

## **Branch Distribution type**

- 1. List of functions**
- 2. Specifications**
- 3. Combination table**
- 4. Dimensions**
- 5. Piping diagrams**
- 6. Wiring diagrams**
- 7. Capacity tables**
- 8. Capacity coefficient factor**
- 9. Operation range**
- 10. Electrical characteristics**
- 11. Field wiring diagram**
- 12. Sound levels**

# MULTI ZONE

## 1. List of functions

Category	Functions	MR48DEY3JM
Reliability	Defrost / Deicing	O
	High pressure switch	X
	Low pressure switch	X
	Phase protection	X
	Restart delay (3-minutes)	O
	Self diagnosis	O
	Soft start	O
	Test function	X
Convenience	Night Silent Operation	X

[Note]

• O: Applied, • X: Not applied

# MULTI ZONE

## 2. Specifications

Model Name				MR48DEY3JM	
Capacity*	Nominal		Btu/h Class	48,000	
	Cooling	Min.-Rated-Max.	Btu/h	14,400~48,000~58,000	
	Heating	Min.-Rated-Max.	Btu/h	15,840~54,000~61,000	
Power Input	Cooling	Min.-Rated-Max.	kW	0.97~3.84~5.71	
	Heating	Min.-Rated-Max.	kW	1.42~4.32~6.02	
EER / COP		Non Ducted	-	12.5 / 3.7	
SEER / HSPF		Non Ducted	-	19.5 / 10.0	
		Mixed	-	18.5 / 9.9	
		Ducted	-	17.5 / 9.7	
Power Supply			V, Ø, Hz	208/230, 1, 60	
Running Current	Cooling	Min.-Rated-Max.	A	4.6~16.7~24.8	
	Heating	Min.-Rated-Max.	A	6.2~18.8~26.2	
Wiring Connections	Power Supply Cable (included Earth)		No. x AWG	3C x 10	
	Power and Communication Cable (included Earth)		Outdoor ~ BB unit	No. x AWG	4C x 16
Combination	Sum of Indoor Units Capacity		Max.	kBtu/h	65
	Number of Indoor Units		Max.	EA	8
	Number of BB Units		Max.	EA	2
Casing Color				Warm Gray	
Dimensions		W x H x D	mm	950 x 1,380 x 330	
		W x H x D	inch	37-13/32 x 54-11/32 x 13	
Net Weight			kg (lbs)	97.0 (213.8)	
Compressor	Type			Twin Rotary	
	Model		Model x No.	GPT442MBA x 1	
	Motor type			BLDC	
	Motor Output		W x No.	4,000 (at 60Hz) x 1	
Refrigerant	Type			R410A	
	Precharged Amount		g (oz)	4,400 (155.2)	
	Chargeless-Pipe Length	Main Pipe	m (ft)	5 (16.4)	
		Branch Pipe	m (ft)	40 (131.2)	
	Additional Charging Volume	Main Pipe	g/m (oz/ft)	50 (0.54)	
		Branch Pipe	g/m (oz/ft)	20 (0.22)	
Control				Electronic Expansion Valve	
Refrigerant Oil	Type			FVC68D	
	Charged volume		cc x No.	1,300 x 1	
Heat Exchanger	(Row x Column x Fins per inch) x No.			(2 x 32 x 14) x 2	
Fan	Type			Propeller	
	Air Flow Rate		m <sup>3</sup> /min(ft <sup>3</sup> /min) x No.	60 (2,119) x 2	
Fan Motor	Type			BLDC	
	Output		W x No.	124.2 x 2	
Sound Pressure Level	Cooling	Rated	dB(A)	54	
	Heating	Rated	dB(A)	56	
Piping Connections	Liquid	Outer Dia.	mm(inch)	Ø 9.52 (3/8)	
	Gas	Outer Dia.	mm(inch)	Ø 19.05 (3/4)	
Piping Length	Total Piping	Max.	m (ft)	145 (475.7)	
	Main Piping	Max.	m (ft)	55 (180.4)	
	Total Branch Piping	Max.	m (ft)	90 (295.3)	
	Each Branch Piping	Max.	m (ft)	15 (49.2)	
Maximum Height Difference	Outdoor Unit ~ Indoor Unit	Max.	m (ft)	30 (98.4)	
	Indoor Unit ~ Indoor Unit	Max.	m (ft)	15 (49.2)	
	BB Unit ~ Indoor Unit	Max.	m (ft)	10 (32.8)	
Operation Range (Outdoor Temperature)	Cooling	Min. ~ Max.	°C DB (°F DB)	-10 (14) ~ 48 (118)	
	Heating	Min. ~ Max.	°C WB (°F WB)	-20 (-4) ~ 18 (64)	

### Note :

- All data are based on the following conditions:
  - Cooling : Indoor Temperature 26.7°C (80°F) DB / 19.4°C (67°F) WB  
Outdoor Temperature 35°C (95°F) DB / 23.9°C (75°F) WB
  - Heating : Indoor Temperature 21.1°C (70°F) DB / 15.6°C (60°F) WB  
Outdoor Temperature 8.3°C (47°F) DB / 6.1°C (43°F) WB
  - Piping Length : Main pipe(A+B, 5m(16.4ft)) + Branch pipe  
(L1+L2+L3+L4+L5+L6, 30m(98.4ft))=35m(115ft)
  - Difference Limit of Elevation (Outdoor ~ Indoor Unit) is Zero.
- Wiring cable size must comply with the applicable local and national codes.
- Due to our policy of innovation some specifications may be changed without notification.
- Sound Level Values are measured at Anechoic chamber. Therefore, these values can be increased owing to ambient conditions during operation.
- At least two indoor units should be connected.
- For more Capacity(\*), refer to the combination table
- This value is based on the non-ducted type indoor units.
- For detailed electrical information, please refer to electric characteristics.

## 2 \_ Branch Distribution type

# MULTI ZONE

## 3. Combination table

The individual indoor unit capacity can be calculated as follows depending on the total connected capacity of all indoor units.

$$\text{Individual indoor unit combinational capacity } [Q_{idu(\text{combi})}] = \frac{\text{Outdoor unit rated capacity } [Q_{odu(\text{rated})}]}{\text{Total connected indoor unit rated capacity } [Q_{idu(\text{rated})}]} \times \text{Individual indoor unit rated capacity } [Q_{idu(\text{rated})}]$$

### Models : MR48DEY3JM

#### ■ Non ducted type indoor unit Cooling

Total indoor unit capacity (kBtu/h)	Cooling capacity						Input(W)			EER	SEER
	Min		Rated		Max		Min	Rated	Max		
	Btu/h	kW	Btu/h	kW	Btu/h	kW					
24	14,400	4.22	24,000	7.03	26,400	7.74	968	1,500	1,800	16.0	21.0
25	15,000	4.40	25,000	7.33	27,500	8.06	1,031	1,598	1,917	15.6	20.9
26	15,600	4.57	26,000	7.62	28,600	8.38	1,094	1,695	2,034	15.3	20.9
27	16,200	4.75	27,000	7.91	29,700	8.70	1,156	1,793	2,151	15.1	20.8
28	16,800	4.92	28,000	8.21	30,800	9.03	1,219	1,890	2,268	14.8	20.8
29	17,400	5.10	29,000	8.50	31,900	9.35	1,282	1,988	2,385	14.6	20.7
30	18,000	5.28	30,000	8.79	33,000	9.67	1,345	2,085	2,502	14.4	20.6
31	18,600	5.45	31,000	9.09	34,100	9.99	1,408	2,183	2,619	14.2	20.6
32	19,200	5.63	32,000	9.38	35,200	10.32	1,471	2,280	2,736	14.0	20.5
33	19,800	5.80	33,000	9.67	36,300	10.64	1,534	2,378	2,853	13.9	20.4
34	20,400	5.98	34,000	9.96	37,400	10.96	1,597	2,475	2,970	13.7	20.4
35	21,000	6.15	35,000	10.26	38,500	11.28	1,660	2,573	3,087	13.6	20.3
36	21,600	6.33	36,000	10.55	39,600	11.61	1,723	2,670	3,204	13.5	20.3
37	22,200	6.51	37,000	10.84	40,700	11.93	1,785	2,768	3,321	13.4	20.2
38	22,800	6.68	38,000	11.14	41,800	12.25	1,848	2,865	3,438	13.3	20.1
39	23,400	6.86	39,000	11.43	42,900	12.57	1,911	2,963	3,555	13.2	20.1
40	24,000	7.03	40,000	11.72	44,000	12.90	1,974	3,060	3,672	13.1	20.0
41	24,600	7.21	41,000	12.02	45,100	13.22	2,037	3,158	3,789	13.0	19.9
42	25,200	7.39	42,000	12.31	46,200	13.54	2,100	3,255	3,906	12.9	19.9
43	25,800	7.56	43,000	12.60	47,300	13.86	2,163	3,353	4,023	12.8	19.8
44	26,400	7.74	44,000	12.90	48,400	14.19	2,226	3,450	4,140	12.8	19.8
45	27,000	7.91	45,000	13.19	49,500	14.51	2,289	3,548	4,257	12.7	19.7
46	27,600	8.09	46,000	13.48	50,600	14.83	2,352	3,645	4,374	12.6	19.6
47	28,200	8.26	47,000	13.77	51,700	15.15	2,415	3,743	4,491	12.6	19.6
48	28,800	8.44	48,000	14.07	52,800	15.47	2,477	3,840	4,608	12.5	19.5
49	28,967	8.49	48,278	14.15	53,106	15.56	2,512	3,894	4,673	12.4	19.3
50	29,134	8.54	48,556	14.23	53,412	15.65	2,547	3,948	4,738	12.3	19.2
51	29,301	8.59	48,834	14.31	53,718	15.74	2,582	4,002	4,803	12.2	19.0
52	29,467	8.64	49,112	14.39	54,024	15.83	2,617	4,056	4,868	12.1	18.9
53	29,634	8.69	49,390	14.48	54,329	15.92	2,652	4,111	4,933	12.0	18.7
54	29,801	8.73	49,668	14.56	54,635	16.01	2,687	4,165	4,998	11.9	18.6
55	29,968	8.78	49,947	14.64	54,941	16.10	2,722	4,219	5,063	11.8	18.5
56	30,135	8.83	50,225	14.72	55,247	16.19	2,757	4,273	5,128	11.8	18.3
57	30,302	8.88	50,503	14.80	55,553	16.28	2,792	4,327	5,192	11.7	18.2
58	30,468	8.93	50,781	14.88	55,859	16.37	2,827	4,381	5,257	11.6	18.1
59	30,635	8.98	51,059	14.96	56,165	16.46	2,861	4,435	5,322	11.5	18.0
60	30,802	9.03	51,337	15.05	56,471	16.55	2,896	4,489	5,387	11.4	17.8
61	30,969	9.08	51,615	15.13	56,776	16.64	2,931	4,544	5,452	11.4	17.7
62	31,136	9.13	51,893	15.21	57,082	16.73	2,966	4,598	5,517	11.3	17.6
63	31,303	9.17	52,171	15.29	57,388	16.82	3,001	4,652	5,582	11.2	17.5
64	31,470	9.22	52,449	15.37	57,694	16.91	3,036	4,706	5,647	11.1	17.4
65	31,636	9.27	52,727	15.45	58,000	17.00	3,071	4,760	5,712	11.1	17.3

#### Note :

- Capacities are based on the following conditions:  
 Cooling: - Indoor Temperature 26.7°C (80°F) DB / 19.4°C (67°F) WB  
 - Outdoor Temperature 35°C (95°F) DB / 23.9°C (75°F) WB  
 Heating: - Indoor Temperature 21.1°C (70°F) DB / 15.6°C (60°F) WB  
 - Outdoor Temperature 8.3°C (47°F) DB / 6.1°C (43°F) WB  
 Piping Length : - Main pipe(A+B, 5m(16.4ft)) + Branch pipe  
 (L1+L2+L3+L4+L5+L6, 30m(98.4ft))=35m(115ft)  
 - Level Difference of Zero
- Wiring cable size must comply with the applicable local and national codes.
- The specification may be subject to change without prior notice for purpose of improvement.
- Sum of connected indoor units capacity is 24-65 kBtu/h.
- At least two indoor units should be connected.

# MULTI ZONE

## 3. Combination table

Models : MR48DEY3JM

### ■ Non ducted type indoor unit Heating

Total indoor unit capacity (kBtu/h)	Heating capacity						Input(W)			COP	HSPF
	Min		Rated		Max		Min	Rated	Max		
	Btu/h	kW	Btu/h	kW	Btu/h	kW					
24	15,840	4.64	26,400	7.74	27,720	8.12	1,419	2,200	2,640	3.5	11.0
25	16,500	4.84	27,500	8.06	28,875	8.46	1,476	2,288	2,746	3.5	11.0
26	17,160	5.03	28,600	8.38	30,030	8.80	1,533	2,377	2,852	3.5	10.9
27	17,820	5.22	29,700	8.70	31,185	9.14	1,590	2,465	2,958	3.5	10.9
28	18,480	5.42	30,800	9.03	32,340	9.48	1,647	2,553	3,064	3.5	10.8
29	19,140	5.61	31,900	9.35	33,495	9.82	1,704	2,642	3,170	3.5	10.8
30	19,800	5.80	33,000	9.67	34,650	10.16	1,761	2,730	3,276	3.5	10.8
31	20,460	6.00	34,100	9.99	35,805	10.49	1,818	2,818	3,382	3.5	10.7
32	21,120	6.19	35,200	10.32	36,960	10.83	1,875	2,907	3,488	3.5	10.7
33	21,780	6.38	36,300	10.64	38,115	11.17	1,932	2,995	3,594	3.6	10.6
34	22,440	6.58	37,400	10.96	39,270	11.51	1,989	3,083	3,700	3.6	10.6
35	23,100	6.77	38,500	11.28	40,425	11.85	2,046	3,172	3,806	3.6	10.5
36	23,760	6.96	39,600	11.61	41,580	12.19	2,103	3,260	3,912	3.6	10.5
37	24,420	7.16	40,700	11.93	42,735	12.52	2,160	3,348	4,018	3.6	10.5
38	25,080	7.35	41,800	12.25	43,890	12.86	2,217	3,437	4,124	3.6	10.4
39	25,740	7.54	42,900	12.57	45,045	13.20	2,274	3,525	4,230	3.6	10.4
40	26,400	7.74	44,000	12.90	46,200	13.54	2,331	3,613	4,336	3.6	10.3
41	27,060	7.93	45,100	13.22	47,355	13.88	2,388	3,702	4,442	3.6	10.3
42	27,720	8.12	46,200	13.54	48,510	14.22	2,445	3,790	4,548	3.6	10.3
43	28,380	8.32	47,300	13.86	49,665	14.56	2,502	3,878	4,654	3.6	10.2
44	29,040	8.51	48,400	14.19	50,820	14.89	2,559	3,967	4,760	3.6	10.2
45	29,700	8.70	49,500	14.51	51,975	15.23	2,616	4,055	4,866	3.6	10.1
46	30,360	8.90	50,600	14.83	53,130	15.57	2,673	4,143	4,972	3.6	10.1
47	31,020	9.09	51,700	15.15	54,285	15.91	2,730	4,232	5,078	3.6	10.0
48	32,400	9.50	54,000	15.83	56,700	16.62	2,787	4,320	5,184	3.7	10.0
49	32,588	9.55	54,313	15.92	56,953	16.69	2,819	4,369	5,233	3.6	10.0
50	32,775	9.61	54,626	16.01	57,206	16.77	2,850	4,418	5,282	3.6	9.9
51	32,963	9.66	54,939	16.10	57,459	16.84	2,882	4,466	5,332	3.6	9.8
52	33,151	9.72	55,251	16.19	57,712	16.91	2,913	4,515	5,381	3.6	9.8
53	33,339	9.77	55,564	16.28	57,965	16.99	2,945	4,564	5,430	3.6	9.7
54	33,526	9.83	55,877	16.38	58,218	17.06	2,976	4,613	5,479	3.6	9.7
55	33,714	9.88	56,190	16.47	58,471	17.14	3,008	4,662	5,528	3.5	9.7
56	33,902	9.94	56,503	16.56	58,724	17.21	3,039	4,711	5,577	3.5	9.6
57	34,089	9.99	56,816	16.65	58,976	17.29	3,071	4,759	5,627	3.5	9.6
58	34,277	10.05	57,128	16.74	59,229	17.36	3,102	4,808	5,676	3.5	9.5
59	34,465	10.10	57,441	16.84	59,482	17.43	3,134	4,857	5,725	3.5	9.5
60	34,652	10.16	57,754	16.93	59,735	17.51	3,165	4,906	5,774	3.5	9.4
61	34,840	10.21	58,067	17.02	59,988	17.58	3,197	4,955	5,823	3.4	9.4
62	35,028	10.27	58,380	17.11	60,241	17.66	3,228	5,004	5,872	3.4	9.3
63	35,216	10.32	58,693	17.20	60,494	17.73	3,260	5,052	5,922	3.4	9.3
64	35,403	10.38	59,005	17.29	60,747	17.80	3,291	5,101	5,971	3.4	9.3
65	35,591	10.43	59,318	17.39	61,000	17.88	3,323	5,150	6,020	3.4	9.2

#### Note :

- Capacities are based on the following conditions:  
 Cooling : - Indoor Temperature 26.7°C (80°F) DB / 19.4°C (67°F) WB  
 - Outdoor Temperature 35°C (95°F) DB / 23.9°C (75°F) WB  
 Heating : - Indoor Temperature 21.1°C (70°F) DB / 15.6°C (60°F) WB  
 - Outdoor Temperature 8.3°C (47°F) DB / 6.1°C (43°F) WB  
 Piping Length : - Main pipe(A+B, 5m(16.4ft)) + Branch pipe  
 (L1+L2+L3+L4+L5+L6, 30m(98.4ft))=35m(115ft)  
 - Level Difference of Zero
- Wiring cable size must comply with the applicable local and national codes.
- The specification may be subject to change without prior notice for purpose of improvement.
- Sum of connected indoor units capacity is 24~65 kBtu/h.
- At least two indoor units should be connected.

## 4 \_ Branch Distribution type

# MULTI ZONE

## 3. Combination table

Models : MR48DEY3JM

### ■ Ducted type indoor unit Cooling

Total indoor unit capacity (kBtu/h)	Cooling capacity						Input(W)			EER	SEER
	Min		Rated		Max		Min	Rated	Max		
	Btu/h	kW	Btu/h	kW	Btu/h	kW					
24	13,200	3.87	22,000	6.45	24,200	7.09	935	1,450	1,740	15.2	20.0
25	13,750	4.03	22,917	6.72	25,208	7.39	1,006	1,559	1,871	14.7	19.9
26	14,300	4.19	23,833	6.99	26,217	7.68	1,077	1,669	2,002	14.3	19.8
27	14,850	4.35	24,750	7.25	27,225	7.98	1,147	1,778	2,134	13.9	19.7
28	15,400	4.51	25,667	7.52	28,233	8.27	1,218	1,887	2,265	13.6	19.6
29	15,950	4.67	26,583	7.79	29,242	8.57	1,288	1,997	2,396	13.3	19.5
30	16,500	4.84	27,500	8.06	30,250	8.87	1,359	2,106	2,527	13.1	19.4
31	17,050	5.00	28,417	8.33	31,258	9.16	1,429	2,215	2,658	12.8	19.3
32	17,600	5.16	29,333	8.60	32,267	9.46	1,500	2,325	2,790	12.6	19.2
33	18,150	5.32	30,250	8.87	33,275	9.75	1,570	2,434	2,921	12.4	19.1
34	18,700	5.48	31,167	9.13	34,283	10.05	1,641	2,543	3,052	12.3	19.0
35	19,250	5.64	32,083	9.40	35,292	10.34	1,711	2,653	3,183	12.1	18.9
36	19,800	5.80	33,000	9.67	36,300	10.64	1,782	2,762	3,314	11.9	18.8
37	20,350	5.96	33,917	9.94	37,308	10.93	1,852	2,871	3,446	11.8	18.6
38	20,900	6.13	34,833	10.21	38,317	11.23	1,923	2,981	3,577	11.7	18.5
39	21,450	6.29	35,750	10.48	39,325	11.53	1,994	3,090	3,708	11.6	18.4
40	22,000	6.45	36,667	10.75	40,333	11.82	2,064	3,199	3,839	11.5	18.3
41	22,550	6.61	37,583	11.02	41,342	12.12	2,135	3,309	3,970	11.4	18.2
42	23,100	6.77	38,500	11.28	42,350	12.41	2,205	3,418	4,102	11.3	18.1
43	23,650	6.93	39,417	11.55	43,358	12.71	2,276	3,527	4,233	11.2	18.0
44	24,200	7.09	40,333	11.82	44,367	13.00	2,346	3,637	4,364	11.1	17.9
45	24,750	7.25	41,250	12.09	45,375	13.30	2,417	3,746	4,495	11.0	17.8
46	25,300	7.42	42,167	12.36	46,383	13.59	2,487	3,855	4,626	10.9	17.7
47	25,850	7.58	43,083	12.63	47,392	13.89	2,558	3,965	4,758	10.9	17.6
48	26,400	7.74	44,000	12.90	48,400	14.19	2,628	4,074	4,889	10.8	17.5
49	26,553	7.78	44,255	12.97	48,680	14.27	2,665	4,131	4,958	10.7	17.4
50	26,706	7.83	44,510	13.05	48,961	14.35	2,702	4,189	5,027	10.6	17.2
51	26,859	7.87	44,765	13.12	49,241	14.43	2,740	4,246	5,095	10.5	17.1
52	27,012	7.92	45,020	13.19	49,522	14.51	2,777	4,304	5,164	10.5	17.0
53	27,165	7.96	45,275	13.27	49,802	14.60	2,814	4,361	5,233	10.4	16.8
54	27,318	8.01	45,529	13.34	50,082	14.68	2,851	4,418	5,302	10.3	16.7
55	27,471	8.05	45,784	13.42	50,363	14.76	2,888	4,476	5,371	10.2	16.6
56	27,624	8.10	46,039	13.49	50,643	14.84	2,925	4,533	5,440	10.2	16.5
57	27,776	8.14	46,294	13.57	50,924	14.92	2,962	4,591	5,509	10.1	16.3
58	27,929	8.19	46,549	13.64	51,204	15.01	2,999	4,648	5,578	10.0	16.2
59	28,082	8.23	46,804	13.72	51,484	15.09	3,036	4,706	5,647	9.9	16.1
60	28,235	8.28	47,059	13.79	51,765	15.17	3,073	4,763	5,716	9.9	16.0
61	28,388	8.32	47,314	13.87	52,045	15.25	3,110	4,820	5,784	9.8	15.9
62	28,541	8.36	47,569	13.94	52,325	15.34	3,147	4,878	5,853	9.8	15.8
63	28,694	8.41	47,824	14.02	52,606	15.42	3,184	4,935	5,922	9.7	15.7
64	28,847	8.45	48,078	14.09	52,886	15.50	3,221	4,993	5,991	9.6	15.6
65	29,000	8.50	48,333	14.17	53,167	15.58	3,258	5,050	6,060	9.6	15.5

#### Note :

1. Capacities are based on the following conditions:

Cooling: - Indoor Temperature 26.7°C (80°F) DB / 19.4°C (67°F) WB

- Outdoor Temperature 35°C (95°F) DB / 23.9°C (75°F) WB

Heating: - Indoor Temperature 21.1°C (70°F) DB / 15.6°C (60°F) WB

- Outdoor Temperature 8.3°C (47°F) DB / 6.1°C (43°F) WB

Piping Length : - Main pipe(A+B, 5m(16.4ft)) + Branch pipe

(L1+L2+L3+L4+L5+L6, 30m(98.4ft))=35m(115ft)

- Level Difference of Zero

2. Wiring cable size must comply with the applicable local and national codes.

3. The specification may be subject to change without prior notice for purpose of improvement.

4. Sum of connected indoor units capacity is 24-65 kBtu/h.

5. At least two indoor units should be connected.

# MULTI ZONE

## 3. Combination table

Models : MR48DEY3JM

### ■ Ducted type indoor unit Heating

Total indoor unit capacity (kBtu/h)	Heating capacity						Input(W)			COP	HSPF
	Min		Rated		Max		Min	Rated	Max		
	Btu/h	kW	Btu/h	kW	Btu/h	kW					
24	14,667	4.30	24,444	7.16	25,667	7.52	1,379	2,138	2,566	3.4	10.7
25	15,278	4.48	25,463	7.46	26,736	7.84	1,443	2,237	2,684	3.3	10.6
26	15,889	4.66	26,481	7.76	27,806	8.15	1,507	2,335	2,802	3.3	10.6
27	16,500	4.84	27,500	8.06	28,875	8.46	1,570	2,434	2,921	3.3	10.5
28	17,111	5.01	28,519	8.36	29,944	8.78	1,634	2,532	3,039	3.3	10.5
29	17,722	5.19	29,537	8.66	31,014	9.09	1,697	2,631	3,157	3.3	10.5
30	18,333	5.37	30,556	8.96	32,083	9.40	1,761	2,730	3,275	3.3	10.4
31	18,944	5.55	31,574	9.25	33,153	9.72	1,825	2,828	3,394	3.3	10.4
32	19,556	5.73	32,593	9.55	34,222	10.03	1,888	2,927	3,512	3.3	10.3
33	20,167	5.91	33,611	9.85	35,292	10.34	1,952	3,025	3,630	3.3	10.3
34	20,778	6.09	34,630	10.15	36,361	10.66	2,015	3,124	3,749	3.2	10.3
35	21,389	6.27	35,648	10.45	37,431	10.97	2,079	3,222	3,867	3.2	10.2
36	22,000	6.45	36,667	10.75	38,500	11.28	2,143	3,321	3,985	3.2	10.2
37	22,611	6.63	37,685	11.04	39,569	11.60	2,206	3,420	4,104	3.2	10.1
38	23,222	6.81	38,704	11.34	40,639	11.91	2,270	3,518	4,222	3.2	10.1
39	23,833	6.99	39,722	11.64	41,708	12.22	2,333	3,617	4,340	3.2	10.1
40	24,444	7.16	40,741	11.94	42,778	12.54	2,397	3,715	4,458	3.2	10.0
41	25,056	7.34	41,759	12.24	43,847	12.85	2,461	3,814	4,577	3.2	10.0
42	25,667	7.52	42,778	12.54	44,917	13.16	2,524	3,913	4,695	3.2	9.9
43	26,278	7.70	43,796	12.84	45,986	13.48	2,588	4,011	4,813	3.2	9.9
44	26,889	7.88	44,815	13.13	47,056	13.79	2,651	4,110	4,932	3.2	9.9
45	27,500	8.06	45,833	13.43	48,125	14.10	2,715	4,208	5,050	3.2	9.8
46	28,111	8.24	46,852	13.73	49,194	14.42	2,779	4,307	5,168	3.2	9.8
47	28,722	8.42	47,870	14.03	50,264	14.73	2,842	4,405	5,287	3.2	9.7
48	30,000	8.79	50,000	14.65	52,500	15.39	2,906	4,504	5,405	3.3	9.7
49	30,174	8.84	50,290	14.74	52,804	15.48	2,939	4,555	5,450	3.2	9.7
50	30,348	8.89	50,579	14.82	53,108	15.57	2,971	4,606	5,496	3.2	9.7
51	30,521	8.95	50,869	14.91	53,412	15.65	3,004	4,657	5,542	3.2	9.6
52	30,695	9.00	51,159	14.99	53,717	15.74	3,037	4,708	5,587	3.2	9.6
53	30,869	9.05	51,448	15.08	54,021	15.83	3,070	4,759	5,633	3.2	9.5
54	31,043	9.10	51,738	15.16	54,325	15.92	3,103	4,809	5,678	3.2	9.5
55	31,217	9.15	52,028	15.25	54,629	16.01	3,136	4,860	5,724	3.1	9.5
56	31,390	9.20	52,317	15.33	54,933	16.10	3,169	4,911	5,770	3.1	9.4
57	31,564	9.25	52,607	15.42	55,237	16.19	3,201	4,962	5,815	3.1	9.4
58	31,738	9.30	52,897	15.50	55,541	16.28	3,234	5,013	5,861	3.1	9.3
59	31,912	9.35	53,186	15.59	55,846	16.37	3,267	5,064	5,906	3.1	9.3
60	32,086	9.40	53,476	15.67	56,150	16.46	3,300	5,115	5,952	3.1	9.2
61	32,259	9.45	53,766	15.76	56,454	16.55	3,333	5,166	5,998	3.1	9.2
62	32,433	9.51	54,055	15.84	56,758	16.63	3,366	5,217	6,043	3.0	9.1
63	32,607	9.56	54,345	15.93	57,062	16.72	3,398	5,268	6,089	3.0	9.1
64	32,781	9.61	54,635	16.01	57,366	16.81	3,431	5,318	6,134	3.0	9.1
65	32,955	9.66	54,924	16.10	57,670	16.90	3,464	5,369	6,180	3.0	9.0

**Note :**

1. Capacities are based on the following conditions:

Cooling: - Indoor Temperature 26.7°C (80°F) DB / 19.4°C (67°F) WB

- Outdoor Temperature 35°C (95°F) DB / 23.9°C (75°F) WB

Heating: - Indoor Temperature 21.1°C (70°F) DB / 15.6°C (60°F) WB

- Outdoor Temperature 8.3°C (47°F) DB / 6.1°C (43°F) WB

Piping Length : - Main pipe(A+B, 5m(16.4ft)) + Branch pipe

(L1+L2+L3+L4+L5+L6, 30m(98.4ft))=35m(115ft)

- Level Difference of Zero

2. Wiring cable size must comply with the applicable local and national codes.

3. The specification may be subject to change without prior notice for purpose of improvement.

4. Sum of connected indoor units capacity is 24-65 kBtu/h.

5. At least two indoor units should be connected.

## 6 \_ Branch Distribution type

# MULTI ZONE

## 3. Combination table

Models : MR48DEY3JM

### ■ Mixed type indoor unit Cooling

Total indoor unit capacity (kBtu/h)	Cooling capacity						Input(W)			EER	SEER
	Min		Rated		Max		Min	Rated	Max		
	Btu/h	kW	Btu/h	kW	Btu/h	kW					
24	13,800	4.04	23,000	6.74	25,300	7.42	952	1,475	1,770	15.6	20.5
25	14,375	4.21	23,958	7.02	26,354	7.72	1,018	1,578	1,894	15.2	20.4
26	14,950	4.38	24,917	7.30	27,408	8.03	1,085	1,682	2,018	14.8	20.3
27	15,525	4.55	25,875	7.58	28,463	8.34	1,152	1,785	2,142	14.5	20.3
28	16,100	4.72	26,833	7.86	29,517	8.65	1,218	1,889	2,266	14.2	20.2
29	16,675	4.89	27,792	8.15	30,571	8.96	1,285	1,992	2,391	14.0	20.1
30	17,250	5.06	28,750	8.43	31,625	9.27	1,352	2,096	2,515	13.7	20.0
31	17,825	5.22	29,708	8.71	32,679	9.58	1,419	2,199	2,639	13.5	19.9
32	18,400	5.39	30,667	8.99	33,733	9.89	1,485	2,302	2,763	13.3	19.8
33	18,975	5.56	31,625	9.27	34,788	10.20	1,552	2,406	2,887	13.1	19.8
34	19,550	5.73	32,583	9.55	35,842	10.50	1,619	2,509	3,011	13.0	19.7
35	20,125	5.90	33,542	9.83	36,896	10.81	1,686	2,613	3,135	12.8	19.6
36	20,700	6.07	34,500	10.11	37,950	11.12	1,752	2,716	3,259	12.7	19.5
37	21,275	6.24	35,458	10.39	39,004	11.43	1,819	2,819	3,383	12.6	19.4
38	21,850	6.40	36,417	10.67	40,058	11.74	1,886	2,923	3,507	12.5	19.3
39	22,425	6.57	37,375	10.95	41,113	12.05	1,952	3,026	3,632	12.4	19.3
40	23,000	6.74	38,333	11.23	42,167	12.36	2,019	3,130	3,756	12.2	19.2
41	23,575	6.91	39,292	11.52	43,221	12.67	2,086	3,233	3,880	12.2	19.1
42	24,150	7.08	40,250	11.80	44,275	12.98	2,153	3,337	4,004	12.1	19.0
43	24,725	7.25	41,208	12.08	45,329	13.29	2,219	3,440	4,128	12.0	18.9
44	25,300	7.42	42,167	12.36	46,383	13.59	2,286	3,543	4,252	11.9	18.8
45	25,875	7.58	43,125	12.64	47,438	13.90	2,353	3,647	4,376	11.8	18.8
46	26,450	7.75	44,083	12.92	48,492	14.21	2,419	3,750	4,500	11.8	18.7
47	27,025	7.92	45,042	13.20	49,546	14.52	2,486	3,854	4,624	11.7	18.6
48	27,600	8.09	46,000	13.48	50,600	14.83	2,553	3,957	4,748	11.6	18.5
49	27,760	8.14	46,266	13.56	50,893	14.92	2,589	4,013	4,815	11.5	18.3
50	27,920	8.18	46,533	13.64	51,186	15.00	2,625	4,069	4,882	11.4	18.2
51	28,080	8.23	46,799	13.72	51,479	15.09	2,661	4,124	4,949	11.3	18.1
52	28,240	8.28	47,066	13.79	51,773	15.17	2,697	4,180	5,016	11.3	17.9
53	28,399	8.32	47,332	13.87	52,066	15.26	2,733	4,236	5,083	11.2	17.8
54	28,559	8.37	47,599	13.95	52,359	15.35	2,769	4,292	5,150	11.1	17.7
55	28,719	8.42	47,865	14.03	52,652	15.43	2,805	4,347	5,217	11.0	17.5
56	28,879	8.46	48,132	14.11	52,945	15.52	2,841	4,403	5,284	10.9	17.4
57	29,039	8.51	48,398	14.18	53,238	15.60	2,877	4,459	5,351	10.9	17.3
58	29,199	8.56	48,665	14.26	53,531	15.69	2,913	4,515	5,418	10.8	17.2
59	29,359	8.60	48,931	14.34	53,825	15.78	2,949	4,570	5,485	10.7	17.0
60	29,519	8.65	49,198	14.42	54,118	15.86	2,985	4,626	5,551	10.6	16.9
61	29,679	8.70	49,464	14.50	54,411	15.95	3,021	4,682	5,618	10.6	16.8
62	29,839	8.75	49,731	14.58	54,704	16.03	3,057	4,738	5,685	10.5	16.7
63	29,998	8.79	49,997	14.65	54,997	16.12	3,093	4,793	5,752	10.4	16.6
64	30,158	8.84	50,264	14.73	55,290	16.20	3,129	4,849	5,819	10.4	16.5
65	30,318	8.89	50,530	14.81	55,583	16.29	3,165	4,905	5,886	10.3	16.4

#### Note :

1. Capacities are based on the following conditions:

Cooling: - Indoor Temperature 26.7°C (80°F) DB / 19.4°C (67°F) WB

- Outdoor Temperature 35°C (95°F) DB / 23.9°C (75°F) WB

Heating: - Indoor Temperature 21.1°C (70°F) DB / 15.6°C (60°F) WB

- Outdoor Temperature 8.3°C (47°F) DB / 6.1°C (43°F) WB

Piping Length : - Main pipe(A+B, 5m(16.4ft)) + Branch pipe

(L1+L2+L3+L4+L5+L6, 30m(98.4ft))=35m(115ft)

- Level Difference of Zero

2. Wiring cable size must comply with the applicable local and national codes.

3. The specification may be subject to change without prior notice for purpose of improvement.

4. Sum of connected indoor units capacity is 24-65 kBtu/h.

5. At least two indoor units should be connected.

# MULTI ZONE

## 3. Combination table

Models : MR48DEY3JM

### ■ Mixed type indoor unit Heating

Total indoor unit capacity (kBtu/h)	Heating capacity						Input(W)			COP	HSPF
	Min		Rated		Max		Min	Rated	Max		
	Btu/h	kW	Btu/h	kW	Btu/h	kW					
24	15,253	4.47	25,422	7.45	26,693	7.82	1,399	2,169	2,603	3.4	10.8
25	15,889	4.66	26,481	7.76	27,806	8.15	1,460	2,262	2,715	3.4	10.8
26	16,524	4.84	27,541	8.07	28,918	8.48	1,520	2,356	2,827	3.4	10.8
27	17,160	5.03	28,600	8.38	30,030	8.80	1,580	2,449	2,939	3.4	10.7
28	17,796	5.22	29,659	8.69	31,142	9.13	1,641	2,543	3,051	3.4	10.7
29	18,431	5.40	30,719	9.00	32,254	9.45	1,701	2,636	3,164	3.4	10.6
30	19,067	5.59	31,778	9.31	33,367	9.78	1,761	2,730	3,276	3.4	10.6
31	19,702	5.77	32,837	9.62	34,479	10.11	1,821	2,823	3,388	3.4	10.5
32	20,338	5.96	33,896	9.93	35,591	10.43	1,882	2,917	3,500	3.4	10.5
33	20,973	6.15	34,956	10.24	36,703	10.76	1,942	3,010	3,612	3.4	10.5
34	21,609	6.33	36,015	10.56	37,816	11.08	2,002	3,104	3,724	3.4	10.4
35	22,244	6.52	37,074	10.87	38,928	11.41	2,063	3,197	3,836	3.4	10.4
36	22,880	6.71	38,133	11.18	40,040	11.74	2,123	3,291	3,949	3.4	10.3
37	23,516	6.89	39,193	11.49	41,152	12.06	2,183	3,384	4,061	3.4	10.3
38	24,151	7.08	40,252	11.80	42,264	12.39	2,243	3,477	4,173	3.4	10.3
39	24,787	7.26	41,311	12.11	43,377	12.71	2,304	3,571	4,285	3.4	10.2
40	25,422	7.45	42,370	12.42	44,489	13.04	2,364	3,664	4,397	3.4	10.2
41	26,058	7.64	43,430	12.73	45,601	13.36	2,424	3,758	4,509	3.4	10.1
42	26,693	7.82	44,489	13.04	46,713	13.69	2,485	3,851	4,622	3.4	10.1
43	27,329	8.01	45,548	13.35	47,826	14.02	2,545	3,945	4,734	3.4	10.1
44	27,964	8.20	46,607	13.66	48,938	14.34	2,605	4,038	4,846	3.4	10.0
45	28,600	8.38	47,667	13.97	50,050	14.67	2,666	4,132	4,958	3.4	10.0
46	29,236	8.57	48,726	14.28	51,162	14.99	2,726	4,225	5,070	3.4	9.9
47	29,871	8.75	49,785	14.59	52,274	15.32	2,786	4,319	5,182	3.4	9.9
48	31,200	9.14	52,000	15.24	54,600	16.00	2,846	4,412	5,294	3.5	9.9
49	31,381	9.20	52,301	15.33	54,879	16.08	2,879	4,462	5,342	3.4	9.9
50	31,561	9.25	52,602	15.42	55,157	16.17	2,911	4,512	5,389	3.4	9.8
51	31,742	9.30	52,904	15.51	55,436	16.25	2,943	4,562	5,437	3.4	9.7
52	31,923	9.36	53,205	15.59	55,714	16.33	2,975	4,611	5,484	3.4	9.7
53	32,104	9.41	53,506	15.68	55,993	16.41	3,007	4,661	5,531	3.4	9.6
54	32,284	9.46	53,807	15.77	56,271	16.49	3,039	4,711	5,579	3.3	9.6
55	32,465	9.52	54,109	15.86	56,550	16.57	3,072	4,761	5,626	3.3	9.6
56	32,646	9.57	54,410	15.95	56,828	16.66	3,104	4,811	5,674	3.3	9.5
57	32,827	9.62	54,711	16.03	57,107	16.74	3,136	4,861	5,721	3.3	9.5
58	33,007	9.67	55,012	16.12	57,385	16.82	3,168	4,911	5,768	3.3	9.4
59	33,188	9.73	55,314	16.21	57,664	16.90	3,200	4,960	5,816	3.3	9.4
60	33,369	9.78	55,615	16.30	57,943	16.98	3,232	5,010	5,863	3.3	9.3
61	33,550	9.83	55,916	16.39	58,221	17.06	3,265	5,060	5,910	3.2	9.3
62	33,730	9.89	56,217	16.48	58,500	17.15	3,297	5,110	5,958	3.2	9.2
63	33,911	9.94	56,519	16.56	58,778	17.23	3,329	5,160	6,005	3.2	9.2
64	34,092	9.99	56,820	16.65	59,057	17.31	3,361	5,210	6,053	3.2	9.2
65	34,273	10.04	57,121	16.74	59,335	17.39	3,393	5,260	6,100	3.2	9.1

**Note :**

1. Capacities are based on the following conditions:

Cooling: - Indoor Temperature 26.7°C (80°F) DB / 19.4°C (67°F) WB

- Outdoor Temperature 35°C (95°F) DB / 23.9°C (75°F) WB

Heating: - Indoor Temperature 21.1°C (70°F) DB / 15.6°C (60°F) WB

- Outdoor Temperature 8.3°C (47°F) DB / 6.1°C (43°F) WB

Piping Length : - Main pipe(A+B, 5m(16.4ft)) + Branch pipe

(L1+L2+L3+L4+L5+L6, 30m(98.4ft))=35m(115ft)

- Level Difference of Zero

2. Wiring cable size must comply with the applicable local and national codes.

3. The specification may be subject to change without prior notice for purpose of improvement.

4. Sum of connected indoor units capacity is 24-65 kBtu/h.

5. At least two indoor units should be connected.

## 8 \_ Branch Distribution type

4. Dimensions

**OUTDOOR UNIT**

MR48DEY3JM

No.	Part Name	Remark
1	Liquid pipe connection	
2	Gas pipe connection	
3	Air discharge grille	
4	Power & transmission connection	

[Unit : mm(inch)]

☉ Gravity point

4-holes for anchor bolts

[Unit:mm (inch)]

☐ Note

- Unit should be installed in compliance with the installation manual in the product box.
- Unit should be grounded in accordance with the local regulations or applicable national codes.
- All electrical components and materials to be supplied on the site must comply with the local regulations or international codes.
- Electrical characteristics chapter should be considered for electrical work and design. Especially the capacity of power cable and circuit breaker for outdoor unit should be more than that of electrical characteristics chapter.

Supporter

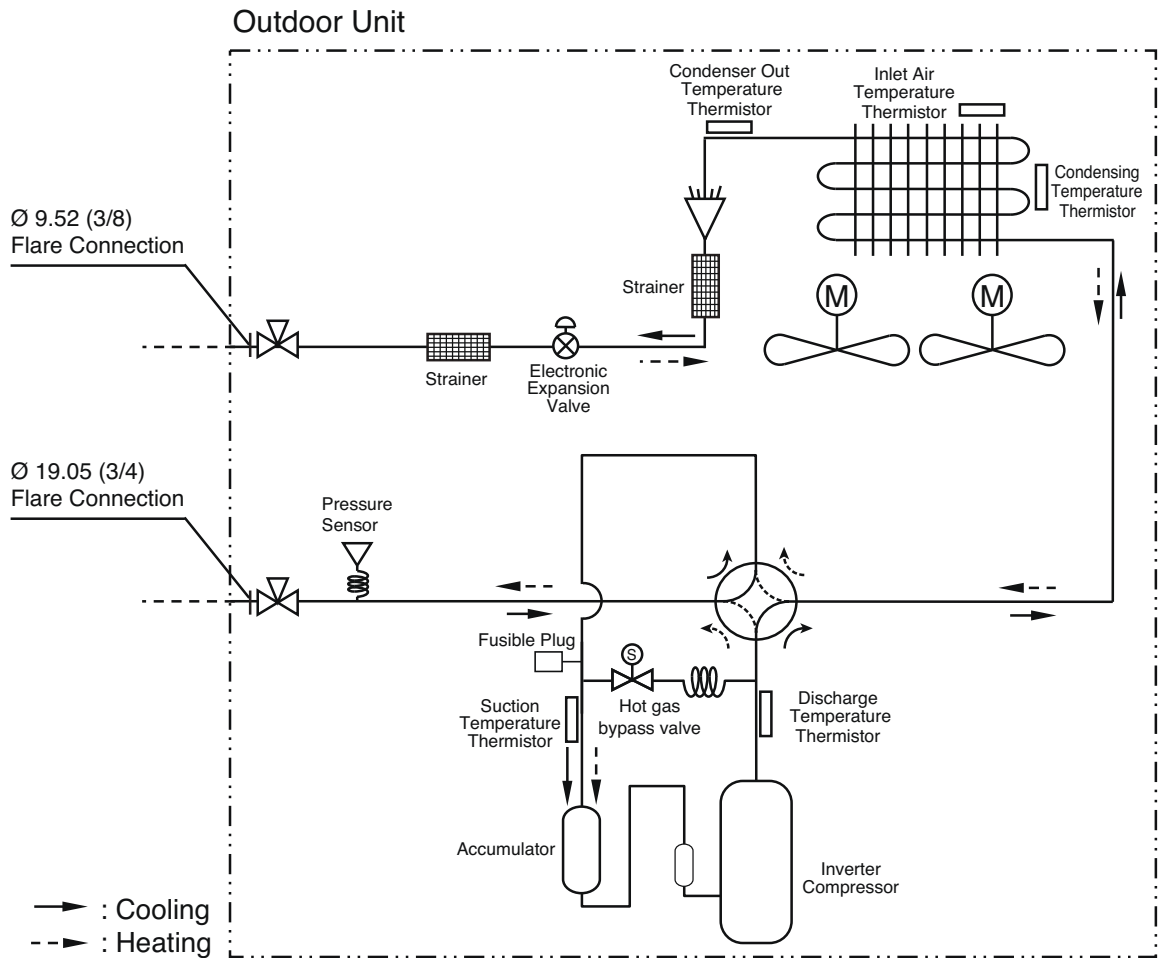
10001 Reunion Place, Suite 500  
San Antonio, TX 78216



# MULTI ZONE

## 5. Piping diagrams

Models : MR48DEY3JM



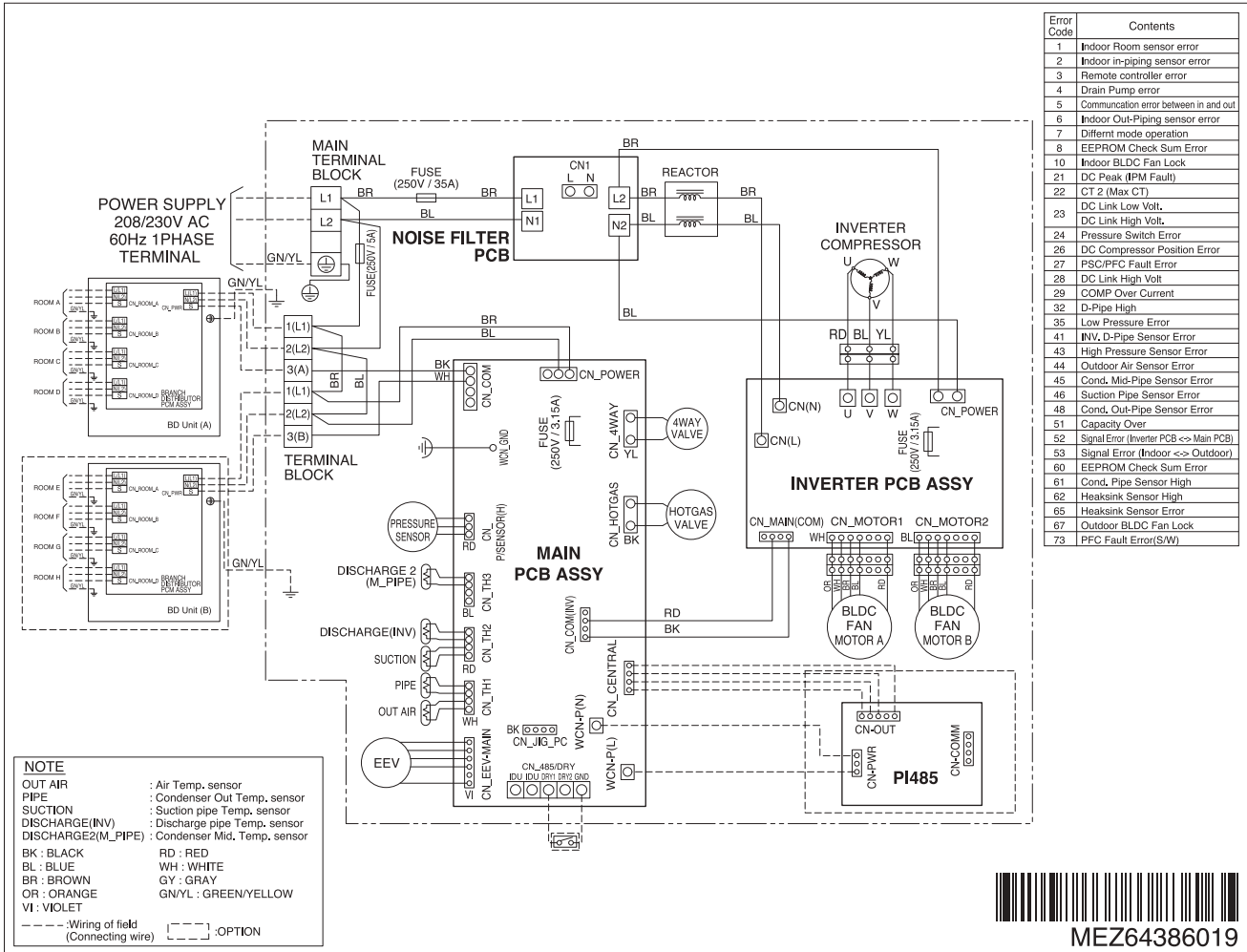
[Unit:mm(inch)]

Description	PCB Connector
Condensing temperature Thermistor	CN_TH3
Condenser out temperature Thermistor	CN_TH1
Inlet air temperature Thermistor	
Discharge temperature Thermistor	CN_TH2
Suction temperature Thermistor	
Pressure Sensor	CN_P/SENSOR(H)

# MULTI ZONE

## 6. Wiring diagrams

Models : MR48DEY3JM



Part 2 Product data Outdoor units

# MULTI ZONE

## 7. Capacity tables

Models : MR48DEY3JM

[Cooling capacity]

### ■ Non ducted type indoor unit

Combination Capacity Index (kBTu/h(%))	Outdoor Air Temp.: °FDB	Indoor Air Temp.: °FDB / °FWB											
		68 / 57		73 / 61		77 / 64		80 / 67		86 / 72		90 / 75	
		TC kBTu/h	PI kW	TC kBTu/h	PI kW	TC kBTu/h	PI kW	TC kBTu/h	PI kW	TC kBTu/h	PI kW	TC kBTu/h	PI kW
65 (135%)	14	51.69	2.98	54.90	3.09	58.11	3.20	60.43	3.24	64.53	3.30	67.74	3.36
	20	51.65	3.02	54.86	3.13	58.07	3.25	60.38	3.28	64.48	3.35	67.69	3.41
	25	51.61	3.06	54.82	3.18	58.02	3.29	60.34	3.33	64.43	3.39	67.64	3.46
	30	51.57	3.11	54.78	3.22	57.98	3.34	60.29	3.38	64.38	3.44	67.59	3.51
	35	51.53	3.15	54.73	3.27	57.93	3.38	60.25	3.42	64.34	3.49	67.54	3.56
	40	51.49	3.19	54.69	3.31	57.89	3.43	60.20	3.47	64.29	3.53	67.48	3.61
	45	51.45	3.24	54.65	3.35	57.85	3.48	60.15	3.52	64.24	3.58	67.43	3.65
	50	51.42	3.28	54.61	3.40	57.80	3.52	60.11	3.56	64.19	3.63	67.38	3.70
	55	51.38	3.32	54.57	3.44	57.76	3.57	60.06	3.61	64.14	3.68	67.33	3.75
	60	51.34	3.36	54.52	3.49	57.71	3.61	60.02	3.66	64.09	3.72	67.28	3.80
	65	51.30	3.41	54.48	3.53	57.67	3.66	59.97	3.70	64.04	3.77	67.23	3.85
	70	51.26	3.45	54.44	3.58	57.62	3.71	59.92	3.75	63.99	3.82	67.17	3.90
	75	50.02	3.64	53.20	3.77	56.37	3.91	58.67	3.95	62.73	4.03	65.90	4.11
	80	48.79	3.82	51.96	3.96	55.13	4.11	57.41	4.15	61.46	4.23	64.63	4.32
	85	47.57	4.01	50.73	4.15	53.89	4.31	56.17	4.36	60.21	4.44	63.37	4.53
	90	46.35	4.19	49.50	4.35	52.65	4.51	54.93	4.56	58.95	4.64	62.11	4.74
	95	45.02	4.38	48.15	4.54	51.29	4.71	52.73	4.76	57.56	4.85	60.70	4.95
	100	43.92	4.57	47.06	4.73	50.19	4.91	52.05	4.96	56.47	5.06	59.60	5.16
105	42.83	4.75	45.96	4.93	49.10	5.11	51.36	5.16	55.37	5.26	58.51	5.37	
110	41.73	4.94	44.87	5.12	48.00	5.31	50.27	5.37	54.27	5.47	57.41	5.58	
115	40.63	5.12	43.77	5.31	46.91	5.51	49.17	5.57	53.18	5.67	56.31	5.79	
118	39.98	5.24	43.11	5.43	46.25	5.63	48.51	5.69	52.52	5.80	55.66	5.91	
122	39.76	5.39	42.89	5.58	46.03	5.79	48.29	5.85	52.30	5.96	55.44	6.08	
62 (130%)	14	50.87	2.88	54.03	2.98	57.19	3.09	59.47	3.13	63.50	3.19	66.66	3.25
	20	50.83	2.92	53.99	3.03	57.14	3.14	59.42	3.17	63.46	3.23	66.61	3.30
	25	50.79	2.96	53.94	3.07	57.10	3.18	59.38	3.22	63.41	3.28	66.56	3.34
	30	50.75	3.00	53.90	3.11	57.06	3.23	59.33	3.26	63.36	3.32	66.51	3.39
	35	50.71	3.04	53.86	3.16	57.01	3.27	59.29	3.31	63.31	3.37	66.46	3.44
	40	50.67	3.09	53.82	3.20	56.97	3.31	59.24	3.35	63.26	3.42	66.41	3.48
	45	50.63	3.13	53.78	3.24	56.92	3.36	59.20	3.40	63.21	3.46	66.36	3.53
	50	50.60	3.17	53.74	3.28	56.88	3.40	59.15	3.44	63.17	3.51	66.31	3.58
	55	50.56	3.21	53.70	3.33	56.84	3.45	59.10	3.49	63.12	3.55	66.26	3.62
	60	50.52	3.25	53.66	3.37	56.79	3.49	59.06	3.53	63.07	3.60	66.21	3.67
	65	50.48	3.29	53.61	3.41	56.75	3.54	59.01	3.58	63.02	3.64	66.15	3.72
	70	50.44	3.33	53.57	3.46	56.71	3.58	58.97	3.62	62.97	3.69	66.10	3.76
	75	49.23	3.51	52.35	3.64	55.48	3.77	57.73	3.82	61.73	3.89	64.85	3.97
	80	48.01	3.69	51.13	3.83	54.25	3.97	56.50	4.01	60.48	4.09	63.60	4.17
	85	46.81	3.87	49.92	4.01	53.03	4.16	55.27	4.21	59.25	4.29	62.36	4.37
	90	45.61	4.05	48.71	4.20	51.81	4.35	54.05	4.40	58.01	4.49	61.12	4.58
	95	44.30	4.23	47.39	4.39	50.47	4.55	51.89	4.60	56.65	4.69	59.73	4.78
	100	43.22	4.41	46.31	4.57	49.40	4.74	51.22	4.80	55.57	4.89	58.65	4.98
105	42.14	4.59	45.23	4.76	48.32	4.93	50.55	4.99	54.49	5.08	57.58	5.19	
110	41.07	4.77	44.15	4.95	47.24	5.13	49.47	5.19	53.41	5.28	56.50	5.39	
115	39.99	4.95	43.07	5.13	46.16	5.32	48.39	5.38	52.33	5.48	55.42	5.59	
118	39.34	5.06	42.43	5.24	45.51	5.44	47.74	5.50	51.68	5.60	54.77	5.71	
122	39.12	5.20	42.21	5.39	45.30	5.59	47.52	5.66	51.47	5.76	54.55	5.88	

# MULTI ZONE

## 7. Capacity tables

Models : MR48DEY3JM

[Cooling capacity]

### ■ Non ducted type indoor unit

Combination Capacity Index (kBtu/h(%))	Outdoor Air Temp.: °FDB	Indoor Air Temp.: °FDB / °FWB											
		68 / 57		73 / 61		77 / 64		80 / 67		86 / 72		90 / 75	
		TC kBtu/h	PI kW	TC kBtu/h	PI kW	TC kBtu/h	PI kW	TC kBtu/h	PI kW	TC kBtu/h	PI kW	TC kBtu/h	PI kW
58 (120%)	14	49.78	2.74	52.87	2.84	55.96	2.94	58.20	2.98	62.15	3.03	65.24	3.10
	20	49.74	2.78	52.83	2.88	55.92	2.99	58.15	3.02	62.10	3.08	65.19	3.14
	25	49.70	2.82	52.79	2.92	55.88	3.03	58.11	3.06	62.05	3.12	65.14	3.18
	30	49.67	2.86	52.75	2.96	55.83	3.07	58.06	3.11	62.00	3.17	65.09	3.23
	35	49.63	2.90	52.71	3.00	55.79	3.11	58.02	3.15	61.96	3.21	65.04	3.27
	40	49.59	2.94	52.67	3.05	55.75	3.16	57.97	3.19	61.91	3.25	64.99	3.32
	45	49.55	2.98	52.63	3.09	55.71	3.20	57.93	3.24	61.86	3.30	64.94	3.36
	50	49.51	3.02	52.59	3.13	55.66	3.24	57.88	3.28	61.81	3.34	64.89	3.41
	55	49.48	3.06	52.55	3.17	55.62	3.28	57.84	3.32	61.77	3.38	64.84	3.45
	60	49.44	3.10	52.51	3.21	55.58	3.33	57.80	3.36	61.72	3.43	64.79	3.50
	65	49.40	3.13	52.47	3.25	55.54	3.37	57.75	3.41	61.67	3.47	64.74	3.54
	70	49.36	3.17	52.43	3.29	55.49	3.41	57.71	3.45	61.62	3.51	64.69	3.58
	75	48.17	3.35	51.23	3.47	54.29	3.59	56.50	3.64	60.41	3.70	63.46	3.78
	80	46.99	3.52	50.04	3.65	53.09	3.78	55.29	3.82	59.19	3.89	62.24	3.97
	85	45.81	3.69	48.85	3.82	51.89	3.96	54.09	4.01	57.98	4.08	61.02	4.16
	90	44.63	3.86	47.67	4.00	50.70	4.15	52.89	4.19	56.77	4.27	59.81	4.36
	95	43.35	4.03	46.37	4.18	49.39	4.33	50.78	4.38	55.43	4.46	58.46	4.55
	100	42.30	4.20	45.32	4.36	48.34	4.51	50.12	4.57	54.38	4.65	57.40	4.75
105	41.24	4.37	44.26	4.53	47.28	4.70	49.46	4.75	53.32	4.84	56.34	4.94	
110	40.19	4.54	43.21	4.71	46.23	4.88	48.41	4.94	52.27	5.03	55.29	5.13	
115	39.13	4.72	42.15	4.89	45.17	5.07	47.35	5.12	51.21	5.22	54.23	5.33	
118	38.50	4.82	41.52	4.99	44.54	5.18	46.72	5.24	50.58	5.33	53.60	5.44	
122	38.29	4.96	41.31	5.14	44.33	5.32	46.51	5.38	50.37	5.49	53.39	5.60	
53 (110%)	14	48.42	2.57	51.42	2.67	54.43	2.76	56.60	2.80	60.44	2.85	63.45	2.90
	20	48.38	2.61	51.38	2.70	54.39	2.80	56.56	2.84	60.40	2.89	63.40	2.95
	25	48.34	2.65	51.35	2.74	54.35	2.84	56.52	2.88	60.35	2.93	63.35	2.99
	30	48.31	2.68	51.31	2.78	54.31	2.88	56.47	2.92	60.31	2.97	63.31	3.03
	35	48.27	2.72	51.27	2.82	54.26	2.92	56.43	2.96	60.26	3.01	63.26	3.07
	40	48.23	2.76	51.23	2.86	54.22	2.96	56.39	3.00	60.21	3.05	63.21	3.11
	45	48.20	2.79	51.19	2.90	54.18	3.00	56.34	3.04	60.17	3.09	63.16	3.16
	50	48.16	2.83	51.15	2.93	54.14	3.04	56.30	3.08	60.12	3.13	63.11	3.20
	55	48.12	2.87	51.11	2.97	54.10	3.08	56.26	3.12	60.08	3.17	63.06	3.24
	60	48.08	2.90	51.07	3.01	54.06	3.12	56.21	3.16	60.03	3.22	63.02	3.28
	65	48.05	2.94	51.03	3.05	54.02	3.16	56.17	3.20	59.98	3.26	62.97	3.32
	70	48.01	2.98	50.99	3.09	53.97	3.20	56.13	3.24	59.94	3.30	62.92	3.36
	75	46.86	3.14	49.83	3.25	52.80	3.37	54.95	3.41	58.75	3.48	61.73	3.55
	80	45.70	3.30	48.67	3.42	51.63	3.55	53.78	3.59	57.57	3.65	60.53	3.73
	85	44.55	3.46	47.51	3.59	50.47	3.72	52.61	3.76	56.39	3.83	59.35	3.91
	90	43.41	3.62	46.36	3.75	49.31	3.89	51.45	3.94	55.22	4.01	58.17	4.09
	95	42.17	3.78	45.10	3.92	48.04	4.06	49.39	4.11	53.92	4.19	56.86	4.27
	100	41.14	3.94	44.08	4.09	47.02	4.24	48.75	4.28	52.89	4.36	55.83	4.45
105	40.11	4.10	43.05	4.25	45.99	4.41	48.11	4.46	51.86	4.54	54.80	4.63	
110	39.09	4.26	42.02	4.42	44.96	4.58	47.08	4.63	50.84	4.72	53.77	4.82	
115	38.06	4.42	41.00	4.59	43.93	4.75	46.06	4.81	49.81	4.90	52.75	5.00	
118	37.44	4.52	40.38	4.69	43.32	4.86	45.44	4.91	49.19	5.01	52.13	5.11	
122	37.24	4.65	40.18	4.82	43.11	5.00	45.24	5.05	48.99	5.15	51.93	5.25	

# MULTI ZONE

## 7. Capacity tables

Models : MR48DEY3JM

[Cooling capacity]

### ■ Non ducted type indoor unit

Combination Capacity Index (kBtu/h(%))	Outdoor Air Temp.: °FDB	Indoor Air Temp.: °FDB / °FWB											
		68 / 57		73 / 61		77 / 64		80 / 67		86 / 72		90 / 75	
		TC kBtu/h	PI kW	TC kBtu/h	PI kW	TC kBtu/h	PI kW	TC kBtu/h	PI kW	TC kBtu/h	PI kW	TC kBtu/h	PI kW
48 (100%)	14	47.05	2.40	49.98	2.49	52.90	2.58	55.01	2.61	58.74	2.66	61.67	2.71
	20	47.02	2.44	49.94	2.53	52.86	2.62	54.97	2.65	58.70	2.70	61.62	2.75
	25	46.98	2.47	49.90	2.56	52.82	2.66	54.93	2.69	58.65	2.74	61.57	2.79
	30	46.95	2.51	49.86	2.60	52.78	2.69	54.88	2.72	58.61	2.78	61.52	2.83
	35	46.91	2.54	49.82	2.63	52.74	2.73	54.84	2.76	58.56	2.81	61.48	2.87
	40	46.87	2.58	49.79	2.67	52.70	2.77	54.80	2.80	58.52	2.85	61.43	2.91
	45	46.84	2.61	49.75	2.71	52.66	2.80	54.76	2.84	58.47	2.89	61.38	2.95
	50	46.80	2.64	49.71	2.74	52.62	2.84	54.72	2.87	58.43	2.93	61.34	2.99
	55	46.77	2.68	49.67	2.78	52.58	2.88	54.67	2.91	58.38	2.97	61.29	3.03
	60	46.73	2.71	49.63	2.81	52.54	2.92	54.63	2.95	58.34	3.00	61.24	3.06
	65	46.70	2.75	49.60	2.85	52.50	2.95	54.59	2.99	58.30	3.04	61.20	3.10
	70	46.66	2.78	49.56	2.88	52.46	2.99	54.55	3.02	58.25	3.08	61.15	3.14
	75	45.54	2.93	48.43	3.04	51.32	3.15	53.41	3.19	57.10	3.25	59.99	3.31
	80	44.41	3.08	47.30	3.20	50.18	3.31	52.26	3.35	55.95	3.41	58.83	3.48
	85	43.30	3.23	46.18	3.35	49.05	3.47	51.13	3.51	54.81	3.58	57.68	3.65
	90	42.19	3.38	45.06	3.51	47.93	3.63	50.00	3.68	53.66	3.75	56.53	3.82
	95	40.98	3.53	43.84	3.66	46.69	3.80	48.00	3.84	52.40	3.91	55.25	3.99
	100	39.98	3.68	42.84	3.82	45.69	3.96	47.38	4.00	51.40	4.08	54.26	4.16
105	38.98	3.83	41.84	3.97	44.69	4.12	46.76	4.17	50.40	4.24	53.26	4.33	
110	37.99	3.98	40.84	4.13	43.70	4.28	45.76	4.33	49.41	4.41	52.26	4.50	
115	36.99	4.13	39.84	4.29	42.70	4.44	44.76	4.49	48.41	4.58	51.26	4.67	
118	36.39	4.22	39.24	4.38	42.10	4.54	44.16	4.59	47.81	4.68	50.66	4.77	
122	36.19	4.34	39.05	4.50	41.90	4.67	43.96	4.72	47.61	4.81	50.46	4.91	
43 (90%)	14	42.15	2.10	44.77	2.17	47.39	2.25	49.28	2.28	52.62	2.32	55.24	2.37
	20	42.12	2.13	44.74	2.20	47.35	2.28	49.24	2.31	52.58	2.35	55.20	2.40
	25	42.09	2.16	44.70	2.24	47.32	2.32	49.20	2.34	52.54	2.39	55.16	2.44
	30	42.06	2.19	44.67	2.27	47.28	2.35	49.17	2.38	52.50	2.42	55.12	2.47
	35	42.02	2.22	44.63	2.30	47.24	2.38	49.13	2.41	52.46	2.45	55.07	2.50
	40	41.99	2.25	44.60	2.33	47.21	2.41	49.09	2.44	52.42	2.49	55.03	2.54
	45	41.96	2.28	44.57	2.36	47.17	2.45	49.05	2.47	52.38	2.52	54.99	2.57
	50	41.93	2.31	44.53	2.39	47.14	2.48	49.02	2.51	52.34	2.55	54.95	2.61
	55	41.90	2.34	44.50	2.42	47.10	2.51	48.98	2.54	52.30	2.59	54.91	2.64
	60	41.86	2.37	44.46	2.45	47.06	2.54	48.94	2.57	52.26	2.62	54.86	2.67
	65	41.83	2.40	44.43	2.49	47.03	2.58	48.90	2.61	52.22	2.65	54.82	2.71
	70	41.80	2.43	44.40	2.52	46.99	2.61	48.87	2.64	52.18	2.69	54.78	2.74
	75	40.79	2.56	43.38	2.65	45.97	2.75	47.84	2.78	51.15	2.83	53.74	2.89
	80	39.79	2.69	42.37	2.79	44.95	2.89	46.82	2.92	50.12	2.98	52.70	3.04
	85	38.79	2.82	41.37	2.92	43.94	3.03	45.80	3.07	49.10	3.12	51.67	3.19
	90	37.79	2.95	40.36	3.06	42.93	3.17	44.79	3.21	48.07	3.27	50.65	3.33
	95	36.71	3.08	39.27	3.20	41.83	3.31	43.00	3.35	46.94	3.41	49.50	3.48
	100	35.82	3.21	38.38	3.33	40.93	3.45	42.44	3.49	46.05	3.56	48.61	3.63
105	34.92	3.34	37.48	3.47	40.04	3.59	41.89	3.63	45.15	3.70	47.71	3.78	
110	34.03	3.48	36.59	3.60	39.14	3.73	40.99	3.78	44.26	3.85	46.82	3.93	
115	33.14	3.61	35.69	3.74	38.25	3.87	40.10	3.92	43.37	3.99	45.92	4.07	
118	32.60	3.69	35.16	3.82	37.71	3.96	39.56	4.00	42.83	4.08	45.39	4.16	
122	32.42	3.79	34.98	3.93	37.54	4.07	39.38	4.12	42.65	4.20	45.21	4.28	

# MULTI ZONE

## 7. Capacity tables

Models : MR48DEY3JM

[Cooling capacity]

### ■ Non ducted type indoor unit

Combination Capacity Index (kBTu/h(%))	Outdoor Air Temp.: °FDB	Indoor Air Temp.: °FDB / °FWB											
		68 / 57		73 / 61		77 / 64		80 / 67		86 / 72		90 / 75	
		TC kBTu/h	PI kW	TC kBTu/h	PI kW	TC kBTu/h	PI kW	TC kBTu/h	PI kW	TC kBTu/h	PI kW	TC kBTu/h	PI kW
38 (80%)	14	37.25	1.80	39.56	1.86	41.88	1.93	43.55	1.95	46.51	1.99	48.82	2.03
	20	37.22	1.82	39.53	1.89	41.85	1.96	43.52	1.98	46.47	2.02	48.78	2.06
	25	37.19	1.85	39.50	1.92	41.81	1.99	43.48	2.01	46.43	2.05	48.74	2.09
	30	37.17	1.87	39.47	1.94	41.78	2.01	43.45	2.04	46.40	2.07	48.71	2.12
	35	37.14	1.90	39.44	1.97	41.75	2.04	43.42	2.06	46.36	2.10	48.67	2.14
	40	37.11	1.93	39.41	2.00	41.72	2.07	43.38	2.09	46.33	2.13	48.63	2.17
	45	37.08	1.95	39.38	2.02	41.69	2.10	43.35	2.12	46.29	2.16	48.60	2.20
	50	37.05	1.98	39.35	2.05	41.65	2.12	43.32	2.15	46.26	2.19	48.56	2.23
	55	37.02	2.00	39.32	2.08	41.62	2.15	43.28	2.18	46.22	2.22	48.52	2.26
	60	37.00	2.03	39.29	2.10	41.59	2.18	43.25	2.20	46.19	2.25	48.48	2.29
	65	36.97	2.05	39.26	2.13	41.56	2.21	43.22	2.23	46.15	2.27	48.45	2.32
	70	36.94	2.08	39.23	2.16	41.53	2.23	43.18	2.26	46.12	2.30	48.41	2.35
	75	36.05	2.19	38.34	2.27	40.63	2.36	42.28	2.38	45.20	2.43	47.49	2.48
	80	35.16	2.30	37.44	2.39	39.73	2.48	41.38	2.50	44.29	2.55	46.57	2.60
	85	34.28	2.42	36.56	2.50	38.83	2.60	40.48	2.63	43.39	2.68	45.67	2.73
	90	33.40	2.53	35.67	2.62	37.94	2.72	39.58	2.75	42.48	2.80	44.76	2.86
	95	32.44	2.64	34.70	2.74	36.96	2.84	38.00	2.87	41.48	2.92	43.74	2.98
	100	31.65	2.75	33.91	2.85	36.17	2.96	37.51	2.99	40.69	3.05	42.95	3.11
105	30.86	2.87	33.12	2.97	35.38	3.08	37.02	3.11	39.90	3.17	42.16	3.24	
110	30.07	2.98	32.33	3.09	34.59	3.20	36.23	3.24	39.11	3.30	41.37	3.36	
115	29.28	3.09	31.54	3.20	33.80	3.32	35.44	3.36	38.32	3.42	40.58	3.49	
118	28.81	3.16	31.07	3.27	33.33	3.39	34.96	3.43	37.85	3.50	40.11	3.57	
122	28.65	3.25	30.91	3.37	33.17	3.49	34.80	3.53	37.69	3.59	39.95	3.67	
34 (70%)	14	32.35	1.49	34.36	1.54	36.37	1.60	37.82	1.62	40.39	1.65	42.40	1.68
	20	32.33	1.51	34.33	1.57	36.34	1.62	37.79	1.64	40.36	1.67	42.36	1.71
	25	32.30	1.53	34.31	1.59	36.31	1.65	37.76	1.67	40.32	1.70	42.33	1.73
	30	32.28	1.55	34.28	1.61	36.28	1.67	37.73	1.69	40.29	1.72	42.30	1.75
	35	32.25	1.58	34.25	1.63	36.26	1.69	37.70	1.71	40.26	1.74	42.27	1.78
	40	32.23	1.60	34.23	1.65	36.23	1.72	37.67	1.73	40.23	1.77	42.23	1.80
	45	32.20	1.62	34.20	1.68	36.20	1.74	37.65	1.76	40.20	1.79	42.20	1.83
	50	32.18	1.64	34.18	1.70	36.17	1.76	37.62	1.78	40.17	1.81	42.17	1.85
	55	32.15	1.66	34.15	1.72	36.15	1.78	37.59	1.80	40.14	1.84	42.14	1.88
	60	32.13	1.68	34.12	1.74	36.12	1.81	37.56	1.83	40.11	1.86	42.10	1.90
	65	32.10	1.70	34.10	1.77	36.09	1.83	37.53	1.85	40.08	1.89	42.07	1.92
	70	32.08	1.72	34.07	1.79	36.06	1.85	37.50	1.87	40.05	1.91	42.04	1.95
	75	31.31	1.82	33.29	1.88	35.28	1.95	36.72	1.98	39.26	2.01	41.24	2.05
	80	30.53	1.91	32.52	1.98	34.50	2.05	35.93	2.08	38.46	2.12	40.45	2.16
	85	29.77	2.00	31.75	2.08	33.72	2.15	35.15	2.18	37.68	2.22	39.66	2.26
	90	29.00	2.10	30.98	2.17	32.95	2.25	34.37	2.28	36.89	2.32	38.87	2.37
	95	28.17	2.19	30.14	2.27	32.10	2.35	33.00	2.38	36.03	2.42	37.99	2.47
	100	27.49	2.28	29.45	2.37	31.41	2.45	32.57	2.48	35.34	2.53	37.30	2.58
105	26.80	2.38	28.76	2.46	30.73	2.55	32.14	2.58	34.65	2.63	36.62	2.68	
110	26.12	2.47	28.08	2.56	30.04	2.65	31.46	2.68	33.97	2.73	35.93	2.79	
115	25.43	2.56	27.39	2.66	29.36	2.75	30.77	2.78	33.28	2.84	35.24	2.89	
118	25.02	2.62	26.98	2.71	28.94	2.81	30.36	2.85	32.87	2.90	34.83	2.96	
122	24.88	2.69	26.84	2.79	28.81	2.89	30.22	2.93	32.73	2.98	34.69	3.04	

# MULTI ZONE

## 7. Capacity tables

Models : MR48DEY3JM

[Cooling capacity]

### ■ Non ducted type indoor unit

Combination Capacity Index (kBTu/h(%))	Outdoor Air Temp.: °FDB	Indoor Air Temp.: °FDB / °FWB											
		68 / 57		73 / 61		77 / 64		80 / 67		86 / 72		90 / 75	
		TC kBTu/h	PI kW	TC kBTu/h	PI kW	TC kBTu/h	PI kW	TC kBTu/h	PI kW	TC kBTu/h	PI kW	TC kBTu/h	PI kW
29 (60%)	14	28.43	1.25	30.19	1.29	31.96	1.34	33.23	1.35	35.49	1.38	37.26	1.41
	20	28.41	1.26	30.17	1.31	31.94	1.36	33.21	1.37	35.46	1.40	37.23	1.43
	25	28.39	1.28	30.15	1.33	31.91	1.38	33.18	1.39	35.44	1.42	37.20	1.45
	30	28.36	1.30	30.13	1.35	31.89	1.40	33.16	1.41	35.41	1.44	37.17	1.47
	35	28.34	1.32	30.10	1.36	31.86	1.41	33.13	1.43	35.38	1.46	37.14	1.49
	40	28.32	1.33	30.08	1.38	31.84	1.43	33.11	1.45	35.36	1.48	37.11	1.51
	45	28.30	1.35	30.06	1.40	31.81	1.45	33.08	1.47	35.33	1.50	37.09	1.53
	50	28.28	1.37	30.03	1.42	31.79	1.47	33.06	1.49	35.30	1.52	37.06	1.55
	55	28.26	1.39	30.01	1.44	31.76	1.49	33.03	1.51	35.27	1.54	37.03	1.57
	60	28.23	1.41	29.99	1.46	31.74	1.51	33.01	1.53	35.25	1.56	37.00	1.59
	65	28.21	1.42	29.96	1.48	31.72	1.53	32.98	1.55	35.22	1.58	36.97	1.61
	70	28.19	1.44	29.94	1.49	31.69	1.55	32.96	1.57	35.19	1.60	36.94	1.63
	75	27.51	1.52	29.26	1.58	31.00	1.63	32.27	1.65	34.50	1.68	36.24	1.72
	80	26.83	1.60	28.58	1.66	30.32	1.72	31.58	1.74	33.80	1.77	35.54	1.80
	85	26.16	1.68	27.90	1.74	29.64	1.80	30.89	1.82	33.11	1.85	34.85	1.89
	90	25.49	1.75	27.22	1.82	28.96	1.88	30.21	1.91	32.42	1.94	34.16	1.98
	95	24.76	1.83	26.48	1.90	28.21	1.97	29.00	1.99	31.66	2.03	33.38	2.07
	100	24.16	1.91	25.88	1.98	27.61	2.05	28.62	2.07	31.06	2.11	32.78	2.16
105	23.55	1.99	25.28	2.06	27.00	2.13	28.25	2.16	30.45	2.20	32.18	2.24	
110	22.95	2.06	24.68	2.14	26.40	2.22	27.65	2.24	29.85	2.29	31.57	2.33	
115	22.35	2.14	24.07	2.22	25.80	2.30	27.04	2.33	29.25	2.37	30.97	2.42	
118	21.99	2.19	23.71	2.27	25.44	2.35	26.68	2.38	28.88	2.42	30.61	2.47	
122	21.86	2.25	23.59	2.33	25.31	2.42	26.56	2.45	28.76	2.49	30.49	2.54	
24 (50%)	14	23.53	0.94	24.99	0.97	26.45	1.01	27.50	1.02	29.37	1.04	30.83	1.06
	20	23.51	0.95	24.97	0.99	26.43	1.02	27.48	1.03	29.35	1.05	30.81	1.08
	25	23.49	0.97	24.95	1.00	26.41	1.04	27.46	1.05	29.33	1.07	30.79	1.09
	30	23.47	0.98	24.93	1.01	26.39	1.05	27.44	1.06	29.30	1.08	30.76	1.11
	35	23.46	0.99	24.91	1.03	26.37	1.07	27.42	1.08	29.28	1.10	30.74	1.12
	40	23.44	1.01	24.89	1.04	26.35	1.08	27.40	1.09	29.26	1.11	30.72	1.14
	45	23.42	1.02	24.87	1.06	26.33	1.10	27.38	1.11	29.24	1.13	30.69	1.15
	50	23.40	1.03	24.85	1.07	26.31	1.11	27.36	1.12	29.21	1.14	30.67	1.17
	55	23.38	1.05	24.84	1.08	26.29	1.12	27.34	1.14	29.19	1.16	30.64	1.18
	60	23.37	1.06	24.82	1.10	26.27	1.14	27.32	1.15	29.17	1.17	30.62	1.20
	65	23.35	1.07	24.80	1.11	26.25	1.15	27.29	1.17	29.15	1.19	30.60	1.21
	70	23.33	1.09	24.78	1.13	26.23	1.17	27.27	1.18	29.13	1.20	30.57	1.23
	75	22.77	1.15	24.21	1.19	25.66	1.23	26.70	1.25	28.55	1.27	29.99	1.29
	80	22.21	1.20	23.65	1.25	25.09	1.29	26.13	1.31	27.97	1.33	29.42	1.36
	85	21.65	1.26	23.09	1.31	24.53	1.36	25.57	1.37	27.40	1.40	28.84	1.43
	90	21.09	1.32	22.53	1.37	23.96	1.42	25.00	1.44	26.83	1.46	28.27	1.49
	95	20.49	1.38	21.92	1.43	23.35	1.48	24.00	1.50	26.20	1.53	27.63	1.56
	100	19.99	1.44	21.42	1.49	22.85	1.55	23.69	1.56	25.70	1.59	27.13	1.63
105	19.49	1.50	20.92	1.55	22.35	1.61	23.38	1.63	25.20	1.66	26.63	1.69	
110	18.99	1.56	20.42	1.61	21.85	1.67	22.88	1.69	24.70	1.72	26.13	1.76	
115	18.49	1.61	19.92	1.67	21.35	1.73	22.38	1.75	24.20	1.79	25.63	1.82	
118	18.19	1.65	19.62	1.71	21.05	1.77	22.08	1.79	23.90	1.83	25.33	1.86	
122	18.10	1.70	19.52	1.76	20.95	1.82	21.98	1.84	23.81	1.88	25.23	1.92	

#### Notes:

1. Capacities are based on the following conditions.  
 Piping Length : Main pipe(A+B, 5m(16.4ft)) + Branch pipe  
 (L1+L2+L3+L4+L5+L6, 30m(98.4ft))=35m(115ft)  
 Level difference : 0ft

2. TC : Total Capacity (kBTu/h)  
 PI : Power Input (kW)

3. ■ indicates reference data. When operating at this temperature, these values can be different by discontinuous operation.

## 16 \_ Branch Distribution type

# MULTI ZONE

## 7. Capacity tables

Models : MR48DEY3JM

[Heating Capacity]

### ■ Non ducted type indoor unit

Combination Capacity Index (kBtu/h(%))	Outdoor Air Temp.		Indoor Air Temp.: °FDB											
			61		64		68		70		72		75	
	°F DB	°F WB	TC kBtu/h	PI kW	TC kBtu/h	PI kW	TC kBtu/h	PI kW	TC kBtu/h	PI kW	TC kBtu/h	PI kW	TC kBtu/h	PI kW
65 (135%)	-4	-4.4	22.87	2.51	21.16	2.62	21.06	2.64	20.81	2.65	20.62	2.66	19.69	2.76
	0	-0.4	27.52	2.68	25.88	2.79	25.48	2.82	25.12	2.84	24.83	2.86	23.78	2.97
	5	4.5	33.03	2.89	31.48	2.99	30.74	3.05	30.24	3.08	29.84	3.11	28.64	3.22
	10	9	36.72	3.08	35.24	3.18	34.26	3.26	33.67	3.31	33.20	3.34	31.89	3.45
	17	15	40.79	3.33	39.37	3.43	38.13	3.54	37.44	3.60	36.89	3.65	35.47	3.75
	20	19	43.25	3.50	41.87	3.60	40.47	3.73	39.72	3.80	39.12	3.85	37.64	3.96
	25	23	47.37	3.79	45.97	3.90	44.37	4.04	43.53	4.12	42.86	4.19	41.25	4.30
	30	28	51.54	4.09	49.94	4.23	48.22	4.36	47.34	4.45	46.63	4.53	44.92	4.64
	35	32	55.69	4.40	53.92	4.55	52.08	4.67	51.15	4.78	50.40	4.87	48.58	4.98
	40	36	58.53	4.52	56.89	4.68	55.07	4.81	54.12	4.91	53.36	4.99	51.42	5.13
	45	41	62.08	4.68	60.60	4.84	58.81	4.99	57.83	5.08	57.05	5.16	54.98	5.31
	47	43	63.50	4.75	62.08	4.91	60.31	5.06	59.32	5.15	58.53	5.22	56.40	5.38
	50	46	63.68	4.72	62.40	4.86	60.86	5.00	59.97	5.08	59.27	5.14	57.27	5.27
	55	51	64.00	4.67	62.93	4.78	61.77	4.90	61.06	4.95	60.50	5.00	58.71	5.11
	60	56	64.31	4.62	63.47	4.71	62.69	4.79	62.15	4.83	61.72	4.86	60.14	4.94
	63	59	64.49	4.59	63.79	4.66	63.24	4.73	62.81	4.76	62.46	4.78	61.01	4.83
68	64	64.68	4.56	64.11	4.62	63.79	4.67	63.47	4.68	63.20	4.69	61.88	4.73	
62 (130%)	-4	-4.4	22.51	2.44	20.83	2.54	20.72	2.56	20.48	2.57	20.29	2.58	19.38	2.68
	0	-0.4	27.08	2.60	25.47	2.71	25.08	2.74	24.72	2.76	24.44	2.78	23.40	2.88
	5	4.5	32.51	2.80	30.99	2.91	30.25	2.96	29.76	2.99	29.37	3.02	28.18	3.12
	10	9	36.14	2.99	34.68	3.09	33.71	3.17	33.13	3.21	32.67	3.24	31.38	3.35
	17	15	40.14	3.23	38.74	3.33	37.52	3.44	36.84	3.50	36.30	3.54	34.91	3.64
	20	19	42.56	3.39	41.21	3.50	39.83	3.62	39.09	3.69	38.50	3.74	37.04	3.84
	25	23	46.62	3.68	45.24	3.78	43.67	3.92	42.84	4.00	42.18	4.07	40.59	4.17
	30	28	50.72	3.97	49.15	4.10	47.46	4.23	46.59	4.32	45.89	4.40	44.21	4.51
	35	32	54.81	4.27	53.07	4.42	51.26	4.53	50.34	4.64	49.60	4.72	47.81	4.84
	40	36	57.60	4.39	55.99	4.54	54.20	4.67	53.26	4.77	52.51	4.85	50.61	4.98
	45	41	61.10	4.55	59.64	4.70	57.88	4.85	56.92	4.93	56.15	5.01	54.11	5.15
	47	43	62.49	4.61	61.10	4.76	59.35	4.92	58.38	5.00	57.60	5.07	55.51	5.22
	50	46	62.68	4.58	61.41	4.72	59.89	4.86	59.02	4.93	58.33	4.99	56.36	5.12
	55	51	62.98	4.53	61.94	4.64	60.79	4.76	60.10	4.81	59.54	4.85	57.78	4.96
	60	56	63.29	4.48	62.46	4.57	61.70	4.66	61.17	4.69	60.74	4.72	59.19	4.79
	63	59	63.47	4.46	62.78	4.53	62.24	4.60	61.81	4.62	61.47	4.64	60.04	4.69
68	64	63.65	4.43	63.10	4.48	62.78	4.54	62.46	4.55	62.20	4.56	60.90	4.60	
58 (120%)	-4	-4.4	22.03	2.35	20.38	2.45	20.28	2.46	20.05	2.47	19.86	2.48	18.97	2.58
	0	-0.4	26.50	2.50	24.92	2.60	24.54	2.64	24.19	2.66	23.92	2.67	22.90	2.77
	5	4.5	31.81	2.70	30.32	2.80	29.60	2.85	29.12	2.88	28.74	2.91	27.58	3.00
	10	9	35.37	2.87	33.94	2.97	32.99	3.05	32.42	3.09	31.97	3.12	30.71	3.22
	17	15	39.28	3.11	37.92	3.21	36.72	3.31	36.06	3.36	35.52	3.41	34.16	3.51
	20	19	41.65	3.27	40.33	3.37	38.98	3.48	38.26	3.55	37.68	3.60	36.25	3.70
	25	23	45.62	3.54	44.27	3.64	42.73	3.78	41.92	3.85	41.28	3.91	39.72	4.02
	30	28	49.63	3.82	48.10	3.95	46.44	4.07	45.59	4.16	44.91	4.23	43.26	4.34
	35	32	53.64	4.11	51.93	4.25	50.16	4.36	49.26	4.46	48.54	4.55	46.78	4.66
	40	36	56.37	4.23	54.79	4.37	53.04	4.50	52.12	4.59	51.39	4.67	49.52	4.79
	45	41	59.79	4.38	58.36	4.52	56.64	4.66	55.70	4.75	54.95	4.82	52.95	4.96
	47	43	61.15	4.44	59.79	4.58	58.08	4.73	57.13	4.81	56.37	4.88	54.32	5.02
	50	46	61.33	4.41	60.10	4.54	58.61	4.67	57.76	4.74	57.08	4.80	55.15	4.93
	55	51	61.63	4.36	60.61	4.47	59.49	4.57	58.81	4.63	58.26	4.67	56.54	4.77
	60	56	61.93	4.31	61.13	4.40	60.37	4.48	59.86	4.51	59.44	4.54	57.92	4.61
	63	59	62.11	4.29	61.43	4.36	60.90	4.42	60.49	4.44	60.15	4.46	58.76	4.51
68	64	62.29	4.26	61.75	4.31	61.44	4.36	61.12	4.38	60.87	4.38	59.60	4.42	
53 (110%)	-4	-4.4	21.42	2.23	19.82	2.32	19.72	2.34	19.49	2.34	19.31	2.35	18.45	2.44
	0	-0.4	25.77	2.37	24.24	2.47	23.86	2.50	23.53	2.52	23.26	2.53	22.27	2.63
	5	4.5	30.94	2.56	29.49	2.65	28.79	2.70	28.32	2.73	27.95	2.75	26.82	2.85
	10	9	34.40	2.72	33.01	2.82	32.08	2.89	31.53	2.93	31.09	2.96	29.87	3.05
	17	15	38.20	2.95	36.87	3.04	35.71	3.14	35.06	3.19	34.55	3.23	33.22	3.32
	20	19	40.51	3.10	39.22	3.19	37.91	3.30	37.20	3.36	36.64	3.41	35.25	3.50
	25	23	44.37	3.35	43.06	3.45	41.56	3.58	40.77	3.65	40.14	3.71	38.63	3.81
	30	28	48.27	3.62	46.77	3.74	45.17	3.86	44.34	3.94	43.68	4.01	42.07	4.11
	35	32	52.16	3.89	50.50	4.03	48.78	4.14	47.91	4.23	47.20	4.31	45.50	4.41
	40	36	54.82	4.01	53.28	4.14	51.58	4.26	50.69	4.35	49.97	4.42	48.16	4.54
	45	41	58.14	4.15	56.75	4.29	55.08	4.42	54.17	4.50	53.44	4.56	51.50	4.70
	47	43	59.47	4.20	58.14	4.34	56.48	4.48	55.56	4.56	54.82	4.62	52.83	4.76
	50	46	59.65	4.18	58.44	4.30	57.00	4.43	56.17	4.49	55.51	4.55	53.64	4.67
	55	51	59.94	4.13	58.95	4.24	57.86	4.34	57.19	4.39	56.66	4.43	54.98	4.52
	60	56	60.23	4.09	59.45	4.17	58.72	4.25	58.21	4.28	57.81	4.30	56.33	4.37
	63	59	60.40	4.06	59.75	4.13	59.23	4.19	58.82	4.21	58.50	4.23	57.14	4.28
68	64	60.58	4.04	60.05	4.09	59.75	4.14	59.44	4.15	59.20	4.16	57.96	4.19	

# MULTI ZONE

## 7. Capacity tables

Models : MR48DEY3JM

[Heating Capacity]

### ■ Non ducted type indoor unit

Combination Capacity Index (kBtu/h(%))	Outdoor Air Temp.		Indoor Air Temp.: °FDB											
			61		64		68		70		72		75	
			TC	PI	TC	PI	TC	PI	TC	PI	TC	PI	TC	PI
	°F DB	°F WB	kBtu/h	kW	kBtu/h	kW	kBtu/h	kW	kBtu/h	kW	kBtu/h	kW	kBtu/h	kW
48 (100%)	-4	-4.4	20.82	2.11	19.26	2.20	19.17	2.21	18.95	2.22	18.77	2.23	17.93	2.32
	0	-0.4	25.05	2.25	23.56	2.34	23.19	2.37	22.87	2.39	22.61	2.40	21.65	2.49
	5	4.5	30.07	2.42	28.66	2.51	27.98	2.56	27.53	2.59	27.17	2.61	26.07	2.70
	10	9	33.43	2.58	32.08	2.67	31.18	2.74	30.65	2.77	30.22	2.80	29.03	2.89
	17	15	37.13	2.79	35.84	2.88	34.71	2.97	34.08	3.02	33.58	3.06	32.29	3.15
	20	19	39.37	2.93	38.12	3.02	36.84	3.13	36.16	3.18	35.61	3.23	34.26	3.32
	25	23	43.12	3.18	41.85	3.27	40.39	3.39	39.63	3.46	39.02	3.51	37.55	3.61
	30	28	46.91	3.43	45.46	3.54	43.90	3.65	43.09	3.73	42.45	3.80	40.89	3.89
	35	32	50.70	3.69	49.08	3.82	47.41	3.92	46.56	4.01	45.88	4.08	44.22	4.18
	40	36	53.28	3.79	51.79	3.93	50.13	4.04	49.27	4.12	48.57	4.19	46.81	4.30
	45	41	56.51	3.93	55.16	4.06	53.54	4.19	52.65	4.26	51.94	4.32	50.05	4.45
	47	43	57.80	3.98	56.51	4.12	54.90	4.25	54.00	4.32	53.28	4.38	51.34	4.51
	50	46	57.97	3.96	56.80	4.08	55.40	4.19	54.59	4.26	53.95	4.31	52.13	4.42
	55	51	58.26	3.92	57.29	4.01	56.23	4.11	55.59	4.16	55.07	4.19	53.44	4.28
	60	56	58.54	3.87	57.78	3.95	57.07	4.02	56.58	4.05	56.19	4.08	54.75	4.14
	63	59	58.71	3.85	58.07	3.91	57.57	3.97	57.17	3.99	56.86	4.01	55.54	4.05
68	64	58.88	3.82	58.36	3.87	58.07	3.92	57.77	3.93	57.54	3.94	56.33	3.97	
43 (90%)	-4	-4.4	18.24	1.89	16.87	1.97	16.79	1.99	16.60	1.99	16.44	2.00	15.70	2.08
	0	-0.4	21.94	2.02	20.63	2.10	20.32	2.13	20.03	2.14	19.80	2.15	18.96	2.23
	5	4.5	26.34	2.18	25.10	2.26	24.51	2.30	24.11	2.32	23.80	2.34	22.83	2.42
	10	9	29.28	2.32	28.10	2.40	27.31	2.46	26.85	2.49	26.47	2.52	25.43	2.60
	17	15	32.52	2.51	31.39	2.59	30.40	2.67	29.85	2.71	29.41	2.75	28.28	2.83
	20	19	34.49	2.63	33.39	2.71	32.27	2.81	31.67	2.86	31.19	2.90	30.01	2.98
	25	23	37.77	2.85	36.65	2.93	35.38	3.05	34.71	3.11	34.17	3.16	32.89	3.24
	30	28	41.09	3.08	39.82	3.18	38.45	3.28	37.75	3.35	37.18	3.41	35.82	3.50
	35	32	44.41	3.31	42.99	3.43	41.53	3.52	40.78	3.60	40.19	3.67	38.73	3.76
	40	36	46.67	3.41	45.36	3.53	43.91	3.63	43.15	3.70	42.54	3.76	41.00	3.86
	45	41	49.50	3.53	48.32	3.65	46.89	3.76	46.12	3.83	45.49	3.88	43.84	4.00
	47	43	50.63	3.58	49.50	3.70	48.09	3.81	47.30	3.88	46.67	3.93	44.97	4.05
	50	46	50.78	3.56	49.76	3.66	48.52	3.77	47.82	3.82	47.26	3.87	45.66	3.97
	55	51	51.03	3.52	50.18	3.60	49.26	3.69	48.69	3.73	48.24	3.77	46.81	3.85
	60	56	51.28	3.48	50.61	3.55	49.99	3.61	49.56	3.64	49.22	3.66	47.96	3.72
	63	59	51.42	3.46	50.86	3.51	50.42	3.57	50.08	3.58	49.80	3.60	48.65	3.64
68	64	51.57	3.44	51.12	3.48	50.87	3.52	50.61	3.53	50.40	3.54	49.34	3.57	
38 (80%)	-4	-4.4	16.12	1.68	14.91	1.75	14.84	1.76	14.67	1.77	14.53	1.77	13.88	1.84
	0	-0.4	19.39	1.79	18.24	1.86	17.95	1.89	17.70	1.90	17.50	1.91	16.76	1.98
	5	4.5	23.28	1.93	22.19	2.00	21.66	2.04	21.31	2.06	21.03	2.08	20.18	2.15
	10	9	25.88	2.06	24.83	2.13	24.14	2.18	23.72	2.21	23.39	2.23	22.47	2.30
	17	15	28.74	2.22	27.74	2.29	26.87	2.37	26.38	2.40	25.99	2.44	24.99	2.51
	20	19	30.48	2.34	29.50	2.41	28.52	2.49	27.99	2.54	27.57	2.57	26.52	2.64
	25	23	33.38	2.53	32.39	2.60	31.27	2.70	30.67	2.75	30.20	2.80	29.06	2.87
	30	28	36.31	2.73	35.19	2.82	33.98	2.91	33.36	2.97	32.86	3.02	31.65	3.10
	35	32	39.24	2.94	37.99	3.04	36.70	3.12	36.04	3.19	35.51	3.25	34.23	3.33
	40	36	41.24	3.02	40.09	3.13	38.81	3.21	38.14	3.28	37.60	3.34	36.24	3.42
	45	41	43.74	3.13	42.70	3.23	41.44	3.33	40.75	3.39	40.20	3.44	38.74	3.54
	47	43	44.74	3.17	43.74	3.28	42.49	3.38	41.80	3.44	41.24	3.49	39.74	3.59
	50	46	44.88	3.15	43.97	3.25	42.88	3.34	42.26	3.39	41.76	3.43	40.35	3.52
	55	51	45.09	3.12	44.35	3.20	43.53	3.27	43.03	3.31	42.63	3.34	41.37	3.41
	60	56	45.31	3.09	44.72	3.15	44.17	3.20	43.80	3.23	43.49	3.25	42.38	3.30
	63	59	45.45	3.07	44.95	3.11	44.56	3.16	44.26	3.18	44.01	3.19	42.99	3.23
68	64	45.58	3.05	45.18	3.08	44.95	3.12	44.72	3.13	44.54	3.14	43.61	3.16	
34 (70%)	-4	-4.4	14.42	1.50	13.34	1.57	13.28	1.58	13.12	1.58	13.00	1.59	12.42	1.65
	0	-0.4	17.35	1.60	16.32	1.67	16.06	1.69	15.84	1.70	15.66	1.71	14.99	1.77
	5	4.5	20.83	1.73	19.85	1.79	19.38	1.83	19.07	1.84	18.82	1.86	18.06	1.92
	10	9	23.15	1.84	22.22	1.90	21.60	1.95	21.23	1.98	20.93	2.00	20.11	2.06
	17	15	25.72	1.99	24.82	2.05	24.04	2.12	23.60	2.15	23.26	2.18	22.36	2.24
	20	19	27.27	2.09	26.40	2.15	25.52	2.23	25.04	2.27	24.67	2.30	23.73	2.37
	25	23	29.87	2.26	28.98	2.33	27.97	2.42	27.45	2.47	27.02	2.51	26.00	2.57
	30	28	32.49	2.45	31.49	2.53	30.40	2.61	29.85	2.66	29.40	2.71	28.32	2.78
	35	32	35.11	2.63	34.00	2.72	32.84	2.79	32.25	2.86	31.78	2.91	30.63	2.98
	40	36	36.90	2.71	35.87	2.80	34.72	2.88	34.12	2.94	33.64	2.99	32.42	3.07
	45	41	39.14	2.80	38.20	2.90	37.08	2.99	36.46	3.04	35.97	3.08	34.66	3.17
	47	43	40.03	2.84	39.14	2.93	38.02	3.03	37.40	3.08	36.90	3.12	35.56	3.22
	50	46	40.15	2.82	39.34	2.91	38.37	2.99	37.81	3.04	37.37	3.07	36.11	3.15
	55	51	40.35	2.79	39.68	2.86	38.95	2.93	38.50	2.96	38.14	2.99	37.01	3.05
	60	56	40.54	2.76	40.02	2.82	39.52	2.87	39.19	2.89	38.92	2.91	37.92	2.95
	63	59	40.66	2.74	40.22	2.79	39.87	2.83	39.60	2.84	39.38	2.86	38.46	2.89
68	64	40.78	2.73	40.42	2.76	40.22	2.79	40.01	2.80	39.85	2.81	39.02	2.83	

# MULTI ZONE

## 7. Capacity tables

Models : MR48DEY3JM

[Heating Capacity]

### ■ Non ducted type indoor unit

Combination Capacity Index (kBtu/h(%))	Outdoor Air Temp.		Indoor Air Temp.: °FDB											
			61		64		68		70		72		75	
			TC	PI	TC	PI	TC	PI	TC	PI	TC	PI	TC	PI
	°F DB	°F WB	kBtu/h	kW	kBtu/h	kW	kBtu/h	kW	kBtu/h	kW	kBtu/h	kW	kBtu/h	kW
29 (60%)	-4	-4.4	12.30	1.29	11.38	1.34	11.32	1.35	11.19	1.36	11.09	1.36	10.59	1.42
	0	-0.4	14.80	1.37	13.92	1.43	13.70	1.45	13.51	1.46	13.36	1.47	12.79	1.52
	5	4.5	17.76	1.48	16.93	1.53	16.53	1.56	16.26	1.58	16.05	1.59	15.40	1.65
	10	9	19.75	1.58	18.95	1.63	18.42	1.67	18.10	1.69	17.85	1.71	17.15	1.77
	17	15	21.93	1.71	21.17	1.76	20.50	1.82	20.13	1.85	19.84	1.87	19.07	1.92
	20	19	23.26	1.79	22.52	1.85	21.77	1.91	21.36	1.95	21.04	1.97	20.24	2.03
	25	23	25.48	1.94	24.72	2.00	23.86	2.07	23.41	2.11	23.05	2.15	22.18	2.20
	30	28	27.71	2.10	26.86	2.17	25.93	2.23	25.46	2.28	25.08	2.32	24.15	2.38
	35	32	29.95	2.25	29.00	2.33	28.01	2.39	27.51	2.45	27.10	2.49	26.12	2.56
	40	36	31.48	2.32	30.59	2.40	29.62	2.47	29.10	2.52	28.69	2.56	27.65	2.63
	45	41	33.38	2.40	32.59	2.48	31.63	2.56	31.10	2.61	30.68	2.64	29.57	2.72
	47	43	34.15	2.43	33.38	2.51	32.43	2.60	31.90	2.64	31.48	2.68	30.33	2.76
	50	46	34.25	2.42	33.56	2.49	32.73	2.56	32.25	2.60	31.87	2.63	30.80	2.70
	55	51	34.41	2.39	33.84	2.45	33.22	2.51	32.84	2.54	32.53	2.56	31.57	2.62
	60	56	34.58	2.37	34.13	2.41	33.71	2.46	33.42	2.48	33.19	2.49	32.34	2.53
63	59	34.68	2.35	34.30	2.39	34.01	2.43	33.77	2.44	33.59	2.45	32.81	2.48	
68	64	34.78	2.34	34.48	2.37	34.31	2.39	34.13	2.40	33.99	2.41	33.28	2.43	
24 (50%)	-4	-4.4	10.18	1.07	9.42	1.12	9.37	1.13	9.26	1.13	9.18	1.13	8.76	1.18
	0	-0.4	12.25	1.15	11.52	1.19	11.34	1.21	11.18	1.21	11.05	1.22	10.58	1.27
	5	4.5	14.70	1.23	14.01	1.28	13.68	1.30	13.46	1.32	13.28	1.33	12.74	1.37
	10	9	16.34	1.31	15.68	1.36	15.25	1.39	14.98	1.41	14.77	1.43	14.19	1.47
	17	15	18.15	1.42	17.52	1.47	16.97	1.51	16.66	1.54	16.42	1.56	15.78	1.60
	20	19	19.25	1.49	18.63	1.54	18.01	1.59	17.68	1.62	17.41	1.65	16.75	1.69
	25	23	21.08	1.62	20.46	1.66	19.75	1.73	19.37	1.76	19.07	1.79	18.36	1.84
	30	28	22.94	1.75	22.23	1.81	21.46	1.86	21.07	1.90	20.75	1.93	19.99	1.98
	35	32	24.79	1.88	24.00	1.94	23.18	2.00	22.76	2.04	22.43	2.08	21.62	2.13
	40	36	26.05	1.93	25.32	2.00	24.51	2.06	24.09	2.10	23.75	2.13	22.89	2.19
	45	41	27.63	2.00	26.97	2.07	26.17	2.13	25.74	2.17	25.39	2.20	24.47	2.27
	47	43	28.26	2.03	27.63	2.10	26.84	2.16	26.40	2.20	26.05	2.23	25.10	2.30
	50	46	28.34	2.02	27.77	2.08	27.08	2.14	26.69	2.17	26.38	2.19	25.49	2.25
	55	51	28.48	1.99	28.01	2.04	27.49	2.09	27.18	2.12	26.92	2.14	26.13	2.18
	60	56	28.62	1.97	28.25	2.01	27.90	2.05	27.66	2.06	27.47	2.08	26.77	2.11
63	59	28.70	1.96	28.39	1.99	28.14	2.02	27.95	2.03	27.80	2.04	27.15	2.06	
68	64	28.79	1.95	28.53	1.97	28.39	2.00	28.25	2.00	28.13	2.01	27.54	2.02	

#### Notes :

- Capacities are based on the following conditions.  
Piping Length : Main pipe(A+B, 5m(16.4ft)) + Branch pipe (L1+L2+L3+L4+L5+L6, 30m(98.4ft))=35m(115ft)  
Level difference : 0ft
- TC : Total Capacity (kBtu/h)  
PI : Power Input (kW)

# MULTI ZONE

## 7. Capacity tables

Models : MR48DEY3JM

[Cooling capacity]

### ■ Ducted type indoor unit

Combination Capacity Index (kBtu/h(%))	Outdoor Air Temp.: °FDB	Indoor Air Temp.: °FDB / °FWB											
		68 / 57		73 / 61		77 / 64		80 / 67		86 / 72		90 / 75	
		TC kBtu/h	PI kW	TC kBtu/h	PI kW	TC kBtu/h	PI kW	TC kBtu/h	PI kW	TC kBtu/h	PI kW	TC kBtu/h	PI kW
65 (135%)	14	47.38	3.16	50.32	3.28	53.26	3.40	55.39	3.43	59.15	3.50	62.09	3.57
	20	47.34	3.21	50.28	3.32	53.22	3.44	55.35	3.48	59.10	3.55	62.04	3.62
	25	47.31	3.25	50.24	3.37	53.18	3.49	55.30	3.53	59.06	3.60	61.99	3.67
	30	47.27	3.30	50.21	3.42	53.14	3.54	55.26	3.58	59.01	3.65	61.95	3.72
	35	47.23	3.34	50.17	3.46	53.10	3.59	55.22	3.63	58.97	3.70	61.90	3.77
	40	47.20	3.39	50.13	3.51	53.06	3.64	55.18	3.68	58.92	3.75	61.85	3.83
	45	47.16	3.43	50.09	3.56	53.02	3.69	55.13	3.73	58.88	3.80	61.81	3.88
	50	47.12	3.48	50.05	3.61	52.98	3.74	55.09	3.78	58.83	3.85	61.76	3.93
	55	47.09	3.52	50.01	3.65	52.94	3.79	55.05	3.83	58.79	3.90	61.71	3.98
	60	47.05	3.57	49.97	3.70	52.90	3.83	55.01	3.88	58.74	3.95	61.66	4.03
	65	47.02	3.61	49.94	3.75	52.86	3.88	54.97	3.93	58.70	4.00	61.62	4.08
	70	46.98	3.66	49.90	3.79	52.82	3.93	54.92	3.98	58.65	4.05	61.57	4.13
	75	45.85	3.86	48.76	4.00	51.67	4.14	53.77	4.19	57.49	4.27	60.40	4.36
	80	44.72	4.05	47.62	4.20	50.53	4.36	52.62	4.41	56.33	4.49	59.24	4.58
	85	43.60	4.25	46.49	4.41	49.39	4.57	51.48	4.62	55.18	4.71	58.08	4.80
	90	42.48	4.45	45.37	4.61	48.26	4.78	50.34	4.84	54.03	4.93	56.92	5.03
	95	41.26	4.65	44.14	4.82	47.01	4.99	48.33	5.05	52.76	5.14	55.63	5.25
	100	40.26	4.84	43.13	5.02	46.01	5.20	47.70	5.26	51.76	5.36	54.63	5.47
105	39.25	5.04	42.13	5.23	45.00	5.42	47.08	5.48	50.75	5.58	53.63	5.69	
110	38.25	5.24	41.12	5.43	44.00	5.63	46.07	5.69	49.75	5.80	52.62	5.92	
115	37.24	5.44	40.12	5.64	42.99	5.84	45.07	5.91	48.74	6.02	51.62	6.14	
118	36.64	5.56	39.51	5.76	42.39	5.97	44.47	6.04	48.14	6.15	51.01	6.27	
122	36.44	5.71	39.31	5.92	42.19	6.14	44.26	6.21	47.94	6.32	50.81	6.45	
62 (130%)	14	46.63	3.05	49.53	3.17	52.42	3.28	54.52	3.32	58.22	3.38	61.11	3.45
	20	46.60	3.10	49.49	3.21	52.38	3.33	54.48	3.37	58.17	3.43	61.07	3.50
	25	46.56	3.14	49.45	3.26	52.34	3.38	54.43	3.41	58.13	3.48	61.02	3.55
	30	46.53	3.19	49.42	3.30	52.31	3.42	54.39	3.46	58.08	3.53	60.97	3.60
	35	46.49	3.23	49.38	3.35	52.27	3.47	54.35	3.51	58.04	3.58	60.93	3.65
	40	46.45	3.27	49.34	3.39	52.23	3.52	54.31	3.56	58.00	3.62	60.88	3.70
	45	46.42	3.32	49.30	3.44	52.19	3.56	54.27	3.60	57.95	3.67	60.83	3.75
	50	46.38	3.36	49.26	3.48	52.15	3.61	54.23	3.65	57.91	3.72	60.79	3.80
	55	46.35	3.40	49.23	3.53	52.11	3.66	54.18	3.70	57.86	3.77	60.74	3.85
	60	46.31	3.45	49.19	3.57	52.07	3.71	54.14	3.75	57.82	3.82	60.69	3.89
	65	46.28	3.49	49.15	3.62	52.03	3.75	54.10	3.80	57.77	3.87	60.65	3.94
	70	46.24	3.54	49.11	3.67	51.99	3.80	54.06	3.84	57.73	3.92	60.60	3.99
	75	45.13	3.73	47.99	3.86	50.86	4.00	52.93	4.05	56.59	4.13	59.45	4.21
	80	44.02	3.92	46.87	4.06	49.73	4.21	51.80	4.26	55.45	4.34	58.30	4.42
	85	42.91	4.11	45.76	4.26	48.61	4.41	50.67	4.47	54.32	4.55	57.17	4.64
	90	41.81	4.30	44.65	4.46	47.50	4.62	49.55	4.67	53.18	4.76	56.03	4.86
	95	40.61	4.49	43.44	4.65	46.27	4.82	47.57	4.88	51.93	4.97	54.76	5.07
	100	39.62	4.68	42.45	4.85	45.28	5.03	46.95	5.09	50.94	5.18	53.77	5.29
105	38.64	4.87	41.46	5.05	44.29	5.23	46.34	5.29	49.95	5.39	52.78	5.50	
110	37.65	5.06	40.48	5.25	43.30	5.44	45.35	5.50	48.96	5.61	51.79	5.72	
115	36.66	5.25	39.49	5.45	42.32	5.64	44.36	5.71	47.97	5.82	50.80	5.93	
118	36.06	5.37	38.89	5.56	41.72	5.77	43.77	5.83	47.38	5.94	50.21	6.06	
122	35.87	5.52	38.70	5.72	41.52	5.93	43.57	6.00	47.18	6.11	50.01	6.23	

# MULTI ZONE

## 7. Capacity tables

Models : MR48DEY3JM

[Cooling capacity]

### ■ Ducted type indoor unit

Combination Capacity Index (kBtu/h(%))	Outdoor Air Temp.: °FDB	Indoor Air Temp.: °FDB / °FWB											
		68 / 57		73 / 61		77 / 64		80 / 67		86 / 72		90 / 75	
		TC kBtu/h	PI kW	TC kBtu/h	PI kW	TC kBtu/h	PI kW	TC kBtu/h	PI kW	TC kBtu/h	PI kW	TC kBtu/h	PI kW
58 (120%)	14	45.63	2.91	48.47	3.02	51.30	3.13	53.35	3.16	56.97	3.22	59.80	3.29
	20	45.60	2.95	48.43	3.06	51.26	3.17	53.31	3.21	56.93	3.27	59.76	3.33
	25	45.56	2.99	48.39	3.10	51.22	3.22	53.27	3.25	56.88	3.31	59.71	3.38
	30	45.53	3.04	48.36	3.15	51.18	3.26	53.23	3.30	56.84	3.36	59.67	3.43
	35	45.49	3.08	48.32	3.19	51.14	3.31	53.18	3.34	56.80	3.41	59.62	3.48
	40	45.46	3.12	48.28	3.23	51.11	3.35	53.14	3.39	56.75	3.45	59.57	3.52
	45	45.42	3.16	48.25	3.28	51.07	3.40	53.10	3.43	56.71	3.50	59.53	3.57
	50	45.39	3.20	48.21	3.32	51.03	3.44	53.06	3.48	56.66	3.55	59.48	3.62
	55	45.35	3.24	48.17	3.36	50.99	3.49	53.02	3.53	56.62	3.59	59.44	3.66
	60	45.32	3.29	48.13	3.41	50.95	3.53	52.98	3.57	56.58	3.64	59.39	3.71
	65	45.28	3.33	48.10	3.45	50.91	3.58	52.94	3.62	56.53	3.68	59.35	3.76
	70	45.25	3.37	48.06	3.49	50.87	3.62	52.90	3.66	56.49	3.73	59.30	3.81
	75	44.16	3.55	46.96	3.68	49.77	3.82	51.79	3.86	55.37	3.93	58.18	4.01
	80	43.07	3.73	45.87	3.87	48.66	4.01	50.68	4.06	54.26	4.13	57.05	4.22
	85	41.99	3.92	44.78	4.06	47.57	4.21	49.59	4.25	53.15	4.33	55.94	4.42
	90	40.91	4.10	43.70	4.25	46.48	4.40	48.49	4.45	52.04	4.54	54.83	4.63
	95	39.74	4.28	42.51	4.44	45.28	4.60	46.55	4.65	50.82	4.74	53.59	4.83
	100	38.77	4.46	41.54	4.62	44.31	4.79	45.95	4.85	49.85	4.94	52.62	5.04
105	37.81	4.64	40.58	4.81	43.34	4.99	45.34	5.05	48.88	5.14	51.65	5.24	
110	36.84	4.82	39.61	5.00	42.38	5.18	44.38	5.24	47.91	5.34	50.68	5.45	
115	35.87	5.01	38.64	5.19	41.41	5.38	43.41	5.44	46.95	5.54	49.71	5.65	
118	35.29	5.12	38.06	5.30	40.83	5.50	42.83	5.56	46.37	5.66	49.13	5.78	
122	35.10	5.26	37.87	5.45	40.63	5.65	42.63	5.72	46.17	5.82	48.94	5.94	
53 (110%)	14	44.38	2.73	47.13	2.83	49.89	2.93	51.88	2.97	55.40	3.02	58.16	3.08
	20	44.34	2.77	47.10	2.87	49.85	2.97	51.84	3.01	55.36	3.06	58.11	3.13
	25	44.31	2.81	47.06	2.91	49.81	3.02	51.80	3.05	55.32	3.11	58.07	3.17
	30	44.28	2.85	47.03	2.95	49.78	3.06	51.76	3.09	55.28	3.15	58.03	3.21
	35	44.24	2.89	46.99	2.99	49.74	3.10	51.72	3.14	55.23	3.19	57.98	3.26
	40	44.21	2.92	46.95	3.03	49.70	3.14	51.68	3.18	55.19	3.24	57.94	3.30
	45	44.17	2.96	46.92	3.07	49.66	3.18	51.64	3.22	55.15	3.28	57.89	3.35
	50	44.14	3.00	46.88	3.11	49.62	3.23	51.60	3.26	55.11	3.32	57.85	3.39
	55	44.11	3.04	46.85	3.15	49.59	3.27	51.56	3.31	55.06	3.37	57.80	3.44
	60	44.07	3.08	46.81	3.19	49.55	3.31	51.52	3.35	55.02	3.41	57.76	3.48
	65	44.04	3.12	46.77	3.23	49.51	3.35	51.49	3.39	54.98	3.45	57.71	3.52
	70	44.01	3.16	46.74	3.28	49.47	3.39	51.45	3.43	54.94	3.50	57.67	3.57
	75	42.95	3.33	45.67	3.45	48.40	3.58	50.37	3.62	53.85	3.69	56.58	3.76
	80	41.89	3.50	44.61	3.63	47.33	3.76	49.29	3.80	52.77	3.88	55.49	3.95
	85	40.84	3.67	43.55	3.81	46.26	3.94	48.22	3.99	51.69	4.06	54.40	4.15
	90	39.79	3.84	42.49	3.98	45.20	4.13	47.16	4.17	50.61	4.25	53.32	4.34
	95	38.65	4.01	41.34	4.16	44.03	4.31	45.27	4.36	49.42	4.44	52.11	4.53
	100	37.71	4.18	40.40	4.34	43.09	4.49	44.68	4.55	48.48	4.63	51.17	4.72
105	36.77	4.35	39.46	4.51	42.15	4.68	44.10	4.73	47.54	4.82	50.23	4.92	
110	35.83	4.52	38.52	4.69	41.21	4.86	43.16	4.92	46.60	5.01	49.29	5.11	
115	34.88	4.69	37.58	4.87	40.27	5.04	42.21	5.10	45.66	5.20	48.35	5.30	
118	34.32	4.80	37.01	4.97	39.71	5.15	41.65	5.21	45.09	5.31	47.78	5.42	
122	34.13	4.93	36.82	5.11	39.52	5.30	41.46	5.36	44.90	5.46	47.59	5.57	

# MULTI ZONE

## 7. Capacity tables

Models : MR48DEY3JM

[Cooling capacity]

### ■ Ducted type indoor unit

Combination Capacity Index (kBTu/h(%))	Outdoor Air Temp.: °FDB	Indoor Air Temp.: °FDB / °FWB											
		68 / 57		73 / 61		77 / 64		80 / 67		86 / 72		90 / 75	
		TC kBTu/h	PI kW	TC kBTu/h	PI kW	TC kBTu/h	PI kW	TC kBTu/h	PI kW	TC kBTu/h	PI kW	TC kBTu/h	PI kW
48 (100%)	14	43.13	2.55	45.81	2.64	48.49	2.74	50.43	2.77	53.85	2.82	56.53	2.88
	20	43.10	2.58	45.78	2.68	48.45	2.78	50.39	2.81	53.81	2.86	56.48	2.92
	25	43.07	2.62	45.74	2.72	48.42	2.82	50.35	2.85	53.77	2.90	56.44	2.96
	30	43.03	2.66	45.71	2.75	48.38	2.85	50.31	2.89	53.72	2.94	56.40	3.00
	35	43.00	2.69	45.67	2.79	48.34	2.89	50.27	2.93	53.68	2.98	56.35	3.04
	40	42.97	2.73	45.64	2.83	48.31	2.93	50.23	2.97	53.64	3.02	56.31	3.08
	45	42.94	2.77	45.60	2.87	48.27	2.97	50.19	3.01	53.60	3.06	56.27	3.12
	50	42.90	2.80	45.57	2.91	48.23	3.01	50.16	3.05	53.56	3.10	56.23	3.17
	55	42.87	2.84	45.53	2.94	48.19	3.05	50.12	3.09	53.52	3.14	56.18	3.21
	60	42.84	2.88	45.50	2.98	48.16	3.09	50.08	3.13	53.48	3.18	56.14	3.25
	65	42.80	2.91	45.46	3.02	48.12	3.13	50.04	3.17	53.44	3.22	56.10	3.29
	70	42.77	2.95	45.43	3.06	48.08	3.17	50.00	3.21	53.40	3.27	56.05	3.33
	75	41.74	3.11	44.39	3.22	47.04	3.34	48.96	3.38	52.34	3.44	54.99	3.51
	80	40.71	3.27	43.36	3.39	46.00	3.51	47.91	3.55	51.29	3.62	53.93	3.69
	85	39.69	3.43	42.33	3.55	44.97	3.68	46.87	3.72	50.24	3.79	52.88	3.87
	90	38.67	3.59	41.30	3.72	43.93	3.85	45.83	3.90	49.19	3.97	51.82	4.05
	95	37.57	3.75	40.18	3.88	42.80	4.02	44.00	4.07	48.03	4.15	50.65	4.23
	100	36.65	3.90	39.27	4.05	41.88	4.19	43.43	4.24	47.12	4.32	49.74	4.41
105	35.74	4.06	38.35	4.21	40.97	4.37	42.86	4.42	46.20	4.50	48.82	4.59	
110	34.82	4.22	37.44	4.38	40.06	4.54	41.95	4.59	45.29	4.67	47.91	4.77	
115	33.91	4.38	36.52	4.54	39.14	4.71	41.03	4.76	44.37	4.85	46.99	4.95	
118	33.36	4.48	35.97	4.64	38.59	4.81	40.48	4.87	43.83	4.96	46.44	5.06	
122	33.17	4.60	35.79	4.77	38.41	4.95	40.30	5.00	43.64	5.10	46.26	5.20	
43 (90%)	14	38.64	2.21	41.04	2.29	43.44	2.37	45.18	2.40	48.24	2.45	50.64	2.49
	20	38.61	2.24	41.01	2.32	43.41	2.41	45.14	2.44	48.21	2.48	50.60	2.53
	25	38.58	2.27	40.98	2.36	43.38	2.44	45.11	2.47	48.17	2.52	50.57	2.57
	30	38.55	2.30	40.95	2.39	43.34	2.48	45.07	2.50	48.13	2.55	50.53	2.60
	35	38.53	2.34	40.92	2.42	43.31	2.51	45.04	2.54	48.10	2.59	50.49	2.64
	40	38.50	2.37	40.89	2.45	43.28	2.54	45.00	2.57	48.06	2.62	50.45	2.67
	45	38.47	2.40	40.86	2.49	43.24	2.58	44.97	2.61	48.02	2.66	50.41	2.71
	50	38.44	2.43	40.82	2.52	43.21	2.61	44.94	2.64	47.99	2.69	50.37	2.75
	55	38.41	2.46	40.79	2.55	43.18	2.65	44.90	2.68	47.95	2.73	50.33	2.78
	60	38.38	2.49	40.76	2.59	43.14	2.68	44.87	2.71	47.91	2.76	50.30	2.82
	65	38.35	2.53	40.73	2.62	43.11	2.71	44.83	2.75	47.88	2.80	50.26	2.85
	70	38.32	2.56	40.70	2.65	43.08	2.75	44.80	2.78	47.84	2.83	50.22	2.89
	75	37.40	2.70	39.77	2.79	42.14	2.90	43.86	2.93	46.89	2.98	49.27	3.04
	80	36.47	2.83	38.84	2.94	41.21	3.04	42.92	3.08	45.95	3.14	48.32	3.20
	85	35.56	2.97	37.92	3.08	40.29	3.19	41.99	3.23	45.01	3.29	47.37	3.36
	90	34.65	3.11	37.00	3.22	39.36	3.34	41.06	3.38	44.07	3.44	46.43	3.51
	95	33.66	3.25	36.00	3.37	38.34	3.49	39.42	3.53	43.03	3.60	45.38	3.67
	100	32.84	3.39	35.18	3.51	37.52	3.64	38.91	3.68	42.21	3.75	44.56	3.82
105	32.02	3.52	34.36	3.65	36.71	3.79	38.40	3.83	41.39	3.90	43.74	3.98	
110	31.20	3.66	33.54	3.80	35.89	3.93	37.58	3.98	40.57	4.05	42.92	4.14	
115	30.38	3.80	32.72	3.94	35.07	4.08	36.76	4.13	39.76	4.21	42.10	4.29	
118	29.89	3.88	32.23	4.02	34.57	4.17	36.27	4.22	39.26	4.30	41.61	4.39	
122	29.72	3.99	32.07	4.14	34.41	4.29	36.10	4.34	39.10	4.42	41.44	4.51	

# MULTI ZONE

## 7. Capacity tables

Models : MR48DEY3JM

[Cooling capacity]

### ■ Ducted type indoor unit

Combination Capacity Index (kBtu/h(%))	Outdoor Air Temp.: °FDB	Indoor Air Temp.: °FDB / °FWB											
		68 / 57		73 / 61		77 / 64		80 / 67		86 / 72		90 / 75	
		TC kBtu/h	PI kW	TC kBtu/h	PI kW	TC kBtu/h	PI kW	TC kBtu/h	PI kW	TC kBtu/h	PI kW	TC kBtu/h	PI kW
38 (80%)	14	34.14	1.86	36.26	1.93	38.38	2.00	39.92	2.03	42.63	2.06	44.75	2.11
	20	34.12	1.89	36.24	1.96	38.36	2.03	39.89	2.06	42.59	2.09	44.71	2.14
	25	34.09	1.92	36.21	1.99	38.33	2.06	39.86	2.08	42.56	2.12	44.68	2.17
	30	34.07	1.95	36.18	2.02	38.30	2.09	39.82	2.11	42.53	2.15	44.64	2.20
	35	34.04	1.97	36.15	2.04	38.27	2.12	39.79	2.14	42.50	2.18	44.61	2.23
	40	34.01	2.00	36.13	2.07	38.24	2.15	39.76	2.17	42.46	2.21	44.58	2.26
	45	33.99	2.03	36.10	2.10	38.21	2.18	39.73	2.20	42.43	2.24	44.54	2.29
	50	33.96	2.05	36.07	2.13	38.18	2.21	39.70	2.23	42.40	2.27	44.51	2.32
	55	33.94	2.08	36.04	2.16	38.15	2.23	39.67	2.26	42.37	2.30	44.47	2.35
	60	33.91	2.11	36.02	2.18	38.12	2.26	39.64	2.29	42.33	2.33	44.44	2.38
	65	33.88	2.13	35.99	2.21	38.09	2.29	39.61	2.32	42.30	2.36	44.40	2.41
	70	33.86	2.16	35.96	2.24	38.06	2.32	39.58	2.35	42.27	2.39	44.37	2.44
	75	33.04	2.28	35.14	2.36	37.24	2.45	38.75	2.47	41.43	2.52	43.53	2.57
	80	32.23	2.39	34.32	2.48	36.41	2.57	37.92	2.60	40.60	2.65	42.69	2.70
	85	31.42	2.51	33.51	2.60	35.59	2.70	37.10	2.73	39.77	2.78	41.86	2.83
	90	30.61	2.63	32.69	2.72	34.78	2.82	36.28	2.85	38.94	2.91	41.02	2.97
	95	29.74	2.74	31.81	2.84	33.88	2.95	34.83	2.98	38.02	3.04	40.09	3.10
	100	29.01	2.86	31.08	2.96	33.16	3.07	34.38	3.11	37.30	3.16	39.37	3.23
105	28.29	2.98	30.36	3.08	32.43	3.20	33.93	3.23	36.57	3.29	38.65	3.36	
110	27.56	3.09	29.64	3.20	31.71	3.32	33.20	3.36	35.85	3.42	37.92	3.49	
115	26.84	3.21	28.91	3.33	30.98	3.45	32.48	3.49	35.13	3.55	37.20	3.62	
118	26.41	3.28	28.48	3.40	30.55	3.52	32.04	3.56	34.69	3.63	36.76	3.70	
122	26.26	3.37	28.33	3.49	30.40	3.62	31.90	3.66	34.55	3.73	36.62	3.81	
34 (70%)	14	30.56	1.59	32.45	1.65	34.35	1.71	35.72	1.73	38.15	1.76	40.04	1.80
	20	30.53	1.61	32.43	1.67	34.32	1.73	35.69	1.75	38.12	1.79	40.01	1.82
	25	30.51	1.64	32.40	1.69	34.30	1.76	35.67	1.78	38.09	1.81	39.98	1.85
	30	30.49	1.66	32.38	1.72	34.27	1.78	35.64	1.80	38.06	1.84	39.95	1.87
	35	30.46	1.68	32.35	1.74	34.25	1.81	35.61	1.83	38.03	1.86	39.92	1.90
	40	30.44	1.70	32.33	1.77	34.22	1.83	35.59	1.85	38.00	1.89	39.89	1.92
	45	30.42	1.73	32.31	1.79	34.19	1.85	35.56	1.88	37.97	1.91	39.86	1.95
	50	30.39	1.75	32.28	1.81	34.17	1.88	35.53	1.90	37.94	1.94	39.83	1.98
	55	30.37	1.77	32.26	1.84	34.14	1.90	35.50	1.93	37.91	1.96	39.80	2.00
	60	30.35	1.80	32.23	1.86	34.12	1.93	35.48	1.95	37.88	1.99	39.77	2.03
	65	30.32	1.82	32.21	1.88	34.09	1.95	35.45	1.98	37.86	2.01	39.74	2.05
	70	30.30	1.84	32.18	1.91	34.06	1.98	35.42	2.00	37.83	2.04	39.71	2.08
	75	29.57	1.94	31.45	2.01	33.32	2.08	34.68	2.11	37.08	2.15	38.96	2.19
	80	28.84	2.04	30.71	2.11	32.59	2.19	33.94	2.22	36.33	2.26	38.20	2.30
	85	28.12	2.14	29.99	2.22	31.85	2.30	33.20	2.32	35.59	2.37	37.46	2.42
	90	27.40	2.24	29.26	2.32	31.12	2.40	32.47	2.43	34.85	2.48	36.71	2.53
	95	26.61	2.34	28.47	2.42	30.32	2.51	31.77	2.54	34.03	2.59	35.88	2.64
	100	25.96	2.44	27.82	2.53	29.67	2.62	30.77	2.65	33.38	2.70	35.23	2.75
105	25.32	2.54	27.17	2.63	29.02	2.72	30.36	2.76	32.73	2.81	34.59	2.86	
110	24.67	2.64	26.52	2.73	28.38	2.83	29.71	2.86	32.08	2.92	33.94	2.98	
115	24.02	2.73	25.87	2.83	27.73	2.94	29.07	2.97	31.44	3.03	33.29	3.09	
118	23.63	2.79	25.48	2.90	27.34	3.00	28.68	3.04	31.05	3.09	32.90	3.16	
122	23.50	2.87	25.35	2.98	27.21	3.09	28.55	3.12	30.92	3.18	32.77	3.25	

# MULTI ZONE

## 7. Capacity tables

Models : MR48DEY3JM

[Cooling capacity]

### ■ Ducted type indoor unit

Combination Capacity Index (kBtu/h(%))	Outdoor Air Temp.: °FDB	Indoor Air Temp.: °FDB / °FWB											
		68 / 57		73 / 61		77 / 64		80 / 67		86 / 72		90 / 75	
		TC kBtu/h	PI kW	TC kBtu/h	PI kW	TC kBtu/h	PI kW	TC kBtu/h	PI kW	TC kBtu/h	PI kW	TC kBtu/h	PI kW
29 (60%)	14	26.06	1.25	27.67	1.30	29.29	1.34	30.46	1.36	32.53	1.39	34.15	1.41
	20	26.04	1.27	27.65	1.32	29.27	1.36	30.44	1.38	32.50	1.41	34.12	1.43
	25	26.02	1.29	27.63	1.33	29.25	1.38	30.41	1.40	32.48	1.43	34.10	1.45
	30	26.00	1.31	27.61	1.35	29.23	1.40	30.39	1.42	32.45	1.45	34.07	1.47
	35	25.98	1.32	27.59	1.37	29.20	1.42	30.37	1.44	32.43	1.47	34.04	1.49
	40	25.96	1.34	27.57	1.39	29.18	1.44	30.35	1.46	32.41	1.49	34.02	1.52
	45	25.94	1.36	27.55	1.41	29.16	1.46	30.32	1.48	32.38	1.51	33.99	1.54
	50	25.92	1.38	27.53	1.43	29.14	1.48	30.30	1.50	32.36	1.52	33.97	1.56
	55	25.90	1.40	27.51	1.45	29.11	1.50	30.28	1.52	32.33	1.54	33.94	1.58
	60	25.88	1.41	27.48	1.47	29.09	1.52	30.25	1.54	32.31	1.56	33.91	1.60
	65	25.86	1.43	27.46	1.48	29.07	1.54	30.23	1.56	32.28	1.58	33.89	1.62
	70	25.84	1.45	27.44	1.50	29.05	1.56	30.21	1.58	32.26	1.60	33.86	1.64
	75	25.22	1.53	26.82	1.58	28.42	1.64	29.57	1.66	31.62	1.69	33.22	1.73
	80	24.59	1.61	26.19	1.66	27.79	1.73	28.94	1.75	30.98	1.78	32.58	1.81
	85	23.98	1.68	25.57	1.75	27.16	1.81	28.31	1.83	30.35	1.86	31.94	1.90
	90	23.36	1.76	24.95	1.83	26.54	1.89	27.69	1.92	29.72	1.95	31.31	1.99
	95	22.69	1.84	24.27	1.91	25.85	1.98	26.98	2.00	29.02	2.04	30.60	2.08
	100	22.14	1.92	23.72	1.99	25.30	2.06	26.24	2.08	28.46	2.12	30.04	2.17
105	21.59	2.00	23.17	2.07	24.75	2.15	25.89	2.17	27.91	2.21	29.49	2.26	
110	21.04	2.07	22.62	2.15	24.20	2.23	25.34	2.25	27.36	2.30	28.94	2.34	
115	20.48	2.15	22.06	2.23	23.64	2.31	24.79	2.34	26.81	2.38	28.39	2.43	
118	20.15	2.20	21.73	2.28	23.31	2.36	24.45	2.39	26.47	2.44	28.06	2.48	
122	20.04	2.26	21.62	2.35	23.20	2.43	24.34	2.46	26.36	2.50	27.94	2.56	
24 (50%)	14	21.57	0.91	22.91	0.94	24.25	0.97	25.21	0.99	26.92	1.00	28.26	1.02
	20	21.55	0.92	22.89	0.95	24.23	0.99	25.19	1.00	26.90	1.02	28.24	1.04
	25	21.53	0.93	22.87	0.97	24.21	1.00	25.17	1.01	26.88	1.03	28.22	1.05
	30	21.52	0.95	22.85	0.98	24.19	1.02	25.15	1.03	26.86	1.05	28.20	1.07
	35	21.50	0.96	22.84	0.99	24.17	1.03	25.14	1.04	26.84	1.06	28.18	1.08
	40	21.48	0.97	22.82	1.01	24.15	1.04	25.12	1.06	26.82	1.08	28.16	1.10
	45	21.47	0.99	22.80	1.02	24.13	1.06	25.10	1.07	26.80	1.09	28.13	1.11
	50	21.45	1.00	22.78	1.04	24.12	1.07	25.08	1.09	26.78	1.11	28.11	1.13
	55	21.43	1.01	22.77	1.05	24.10	1.09	25.06	1.10	26.76	1.12	28.09	1.14
	60	21.42	1.02	22.75	1.06	24.08	1.10	25.04	1.11	26.74	1.13	28.07	1.16
	65	21.40	1.04	22.73	1.08	24.06	1.11	25.02	1.13	26.72	1.15	28.05	1.17
	70	21.39	1.05	22.71	1.09	24.04	1.13	25.00	1.14	26.70	1.16	28.03	1.19
	75	20.87	1.11	22.20	1.15	23.52	1.19	24.48	1.20	26.17	1.23	27.50	1.25
	80	20.36	1.16	21.68	1.21	23.00	1.25	23.95	1.27	25.64	1.29	26.96	1.31
	85	19.85	1.22	21.16	1.27	22.48	1.31	23.44	1.33	25.12	1.35	26.44	1.38
	90	19.34	1.28	20.65	1.32	21.97	1.37	22.92	1.39	24.60	1.41	25.91	1.44
	95	18.78	1.33	20.09	1.38	21.40	1.43	22.00	1.45	24.02	1.48	25.33	1.51
	100	18.33	1.39	19.63	1.44	20.94	1.49	21.71	1.51	23.56	1.54	24.87	1.57
105	17.87	1.45	19.18	1.50	20.48	1.56	21.43	1.57	23.10	1.60	24.41	1.63	
110	17.41	1.50	18.72	1.56	20.03	1.62	20.97	1.63	22.64	1.67	23.95	1.70	
115	16.95	1.56	18.26	1.62	19.57	1.68	20.52	1.70	22.19	1.73	23.50	1.76	
118	16.68	1.60	17.99	1.65	19.30	1.71	20.24	1.73	21.91	1.77	23.22	1.80	
122	16.59	1.64	17.90	1.70	19.20	1.76	20.15	1.78	21.82	1.82	23.13	1.85	

#### Notes:

1. Capacities are based on the following conditions.  
 Piping Length : Main pipe(A+B, 5m(16.4ft)) + Branch pipe  
 (L1+L2+L3+L4+L5+L6, 30m(98.4ft))=35m(115ft)  
 Level difference : 0ft

2. TC : Total Capacity (kBtu/h)  
 PI : Power Input (kW)

3. ■ indicates reference data. When operating at this temperature, these values can be different by discontinuous operation.

## 24 \_ Branch Distribution type

# MULTI ZONE

## 7. Capacity tables

Models : MR48DEY3JM

[Heating Capacity]

### ■ Ducted type indoor unit

Combination Capacity Index (kBtu/h(%))	Outdoor Air Temp.		Indoor Air Temp.: °FDB											
			61		64		68		70		72		75	
			TC	PI	TC	PI	TC	PI	TC	PI	TC	PI	TC	PI
	°F DB	°F WB	kBtu/h	kW	kBtu/h	kW	kBtu/h	kW	kBtu/h	kW	kBtu/h	kW	kBtu/h	kW
65 (135%)	-4	-4.4	24.27	2.73	22.55	2.84	22.37	2.87	22.10	2.88	21.88	2.89	20.91	3.00
	0	-0.4	28.12	2.90	26.50	3.01	26.06	3.05	25.69	3.07	25.39	3.09	24.32	3.20
	5	4.5	32.71	3.10	31.19	3.21	30.44	3.27	29.95	3.31	29.55	3.34	28.36	3.45
	10	9	35.78	3.28	34.34	3.40	33.37	3.48	32.80	3.53	32.34	3.56	31.07	3.68
	17	15	39.16	3.53	37.79	3.64	36.60	3.76	35.94	3.82	35.41	3.87	34.05	3.98
	20	19	41.20	3.70	39.89	3.81	38.56	3.94	37.84	4.01	37.27	4.07	35.85	4.18
	25	23	44.63	3.98	43.31	4.10	41.80	4.25	41.01	4.34	40.38	4.41	38.86	4.52
	30	28	48.10	4.28	46.61	4.42	45.01	4.56	44.18	4.66	43.52	4.74	41.92	4.86
	35	32	51.56	4.58	49.92	4.75	48.22	4.87	47.35	4.98	46.66	5.07	44.97	5.20
	40	36	54.19	4.72	52.67	4.88	50.99	5.02	50.11	5.12	49.40	5.21	47.61	5.35
	45	41	57.47	4.88	56.10	5.05	54.45	5.20	53.54	5.30	52.82	5.38	50.90	5.53
	47	43	58.79	4.95	57.47	5.12	55.83	5.28	54.92	5.37	54.19	5.44	52.22	5.61
	50	46	58.96	4.92	57.77	5.07	56.34	5.21	55.53	5.29	54.87	5.36	53.02	5.50
	55	51	59.25	4.87	58.27	4.99	57.19	5.11	56.53	5.17	56.01	5.21	54.35	5.32
	60	56	59.54	4.82	58.76	4.91	58.04	5.00	57.54	5.04	57.14	5.07	55.68	5.15
	63	59	59.71	4.79	59.06	4.86	58.55	4.94	58.15	4.96	57.83	4.98	56.48	5.04
	68	64	59.88	4.75	59.36	4.82	59.06	4.87	58.76	4.88	58.52	4.90	57.29	4.94
62 (130%)	-4	-4.4	23.89	2.65	22.19	2.76	22.02	2.79	21.75	2.80	21.54	2.81	20.59	2.92
	0	-0.4	27.68	2.81	26.08	2.92	25.65	2.96	25.28	2.99	24.99	3.00	23.94	3.11
	5	4.5	32.20	3.01	30.70	3.12	29.96	3.18	29.48	3.22	29.09	3.24	27.92	3.35
	10	9	35.22	3.19	33.80	3.30	32.85	3.38	32.29	3.43	31.84	3.47	30.58	3.58
	17	15	38.54	3.43	37.20	3.54	36.03	3.65	35.38	3.71	34.86	3.76	33.51	3.87
	20	19	40.56	3.59	39.26	3.70	37.95	3.83	37.25	3.90	36.69	3.96	35.29	4.07
	25	23	43.93	3.87	42.63	3.98	41.15	4.13	40.37	4.22	39.75	4.28	38.25	4.39
	30	28	47.35	4.16	45.88	4.30	44.30	4.43	43.49	4.53	42.84	4.61	41.27	4.72
	35	32	50.76	4.46	49.14	4.61	47.47	4.73	46.61	4.84	45.93	4.93	44.27	5.05
	40	36	53.34	4.59	51.84	4.74	50.19	4.88	49.32	4.98	48.63	5.06	46.86	5.20
	45	41	56.57	4.75	55.22	4.91	53.60	5.06	52.71	5.15	51.99	5.23	50.11	5.38
	47	43	57.87	4.81	56.57	4.97	54.96	5.13	54.06	5.22	53.34	5.29	51.40	5.45
	50	46	58.04	4.78	56.87	4.93	55.46	5.07	54.66	5.15	54.01	5.21	52.19	5.35
	55	51	58.32	4.73	57.35	4.85	56.29	4.96	55.65	5.02	55.13	5.07	53.50	5.17
	60	56	58.60	4.68	57.84	4.77	57.13	4.86	56.64	4.90	56.25	4.93	54.81	5.00
	63	59	58.77	4.65	58.13	4.73	57.63	4.80	57.24	4.82	56.92	4.84	55.60	4.90
	68	64	58.94	4.62	58.43	4.68	58.14	4.74	57.84	4.75	57.60	4.76	56.40	4.80
58 (120%)	-4	-4.4	23.37	2.55	21.72	2.65	21.55	2.67	21.29	2.68	21.08	2.69	20.14	2.80
	0	-0.4	27.09	2.70	25.52	2.81	25.10	2.84	24.74	2.87	24.45	2.88	23.42	2.99
	5	4.5	31.51	2.89	30.04	3.00	29.32	3.05	28.85	3.09	28.47	3.11	27.32	3.22
	10	9	34.46	3.06	33.07	3.17	32.15	3.25	31.59	3.29	31.15	3.33	29.93	3.43
	17	15	37.72	3.29	36.40	3.40	35.26	3.50	34.62	3.56	34.11	3.61	32.80	3.71
	20	19	39.69	3.45	38.42	3.55	37.14	3.68	36.45	3.74	35.90	3.80	34.53	3.90
	25	23	42.99	3.71	41.72	3.82	40.27	3.97	39.50	4.05	38.89	4.11	37.43	4.22
	30	28	46.33	4.00	44.90	4.13	43.35	4.25	42.56	4.35	41.92	4.42	40.38	4.53
	35	32	49.67	4.28	48.08	4.43	46.45	4.54	45.61	4.65	44.94	4.73	43.32	4.85
	40	36	52.20	4.40	50.73	4.55	49.11	4.68	48.26	4.78	47.58	4.86	45.86	4.99
	45	41	55.36	4.56	54.04	4.71	52.45	4.86	51.57	4.94	50.88	5.02	49.03	5.16
	47	43	56.63	4.62	55.36	4.77	53.78	4.93	52.90	5.01	52.20	5.08	50.30	5.23
	50	46	56.79	4.59	55.65	4.73	54.27	4.87	53.48	4.94	52.85	5.00	51.07	5.13
	55	51	57.07	4.54	56.12	4.65	55.09	4.76	54.45	4.82	53.95	4.86	52.35	4.97
	60	56	57.35	4.49	56.60	4.58	55.90	4.66	55.43	4.70	55.04	4.73	53.64	4.80
	63	59	57.51	4.46	56.89	4.54	56.39	4.60	56.01	4.63	55.70	4.65	54.41	4.70
	68	64	57.68	4.44	57.17	4.49	56.89	4.55	56.60	4.56	56.36	4.57	55.19	4.60
53 (110%)	-4	-4.4	22.73	2.42	21.12	2.52	20.96	2.54	20.70	2.55	20.50	2.56	19.59	2.66
	0	-0.4	26.35	2.57	24.82	2.67	24.41	2.70	24.06	2.72	23.78	2.74	22.78	2.84
	5	4.5	30.64	2.75	29.22	2.85	28.52	2.90	28.05	2.93	27.69	2.96	26.57	3.06
	10	9	33.52	2.91	32.17	3.01	31.27	3.09	30.73	3.13	30.30	3.16	29.11	3.26
	17	15	36.68	3.13	35.41	3.23	34.29	3.33	33.67	3.38	33.17	3.43	31.90	3.53
	20	19	38.60	3.28	37.37	3.38	36.12	3.49	35.45	3.56	34.91	3.61	33.59	3.71
	25	23	41.81	3.53	40.57	3.63	39.16	3.77	38.42	3.84	37.83	3.90	36.40	4.01
	30	28	45.06	3.80	43.67	3.92	42.17	4.04	41.39	4.13	40.77	4.20	39.27	4.31
	35	32	48.30	4.06	46.77	4.21	45.17	4.32	44.36	4.42	43.71	4.50	42.13	4.61
	40	36	50.77	4.18	49.34	4.33	47.77	4.45	46.94	4.54	46.28	4.62	44.60	4.74
	45	41	53.84	4.33	52.56	4.47	51.01	4.61	50.16	4.70	49.48	4.77	47.69	4.90
	47	43	55.07	4.39	53.84	4.53	52.30	4.68	51.45	4.76	50.77	4.82	48.92	4.97
	50	46	55.24	4.36	54.12	4.49	52.78	4.62	52.02	4.69	51.41	4.75	49.67	4.88
	55	51	55.51	4.32	54.58	4.42	53.58	4.53	52.96	4.58	52.47	4.62	50.92	4.72
	60	56	55.77	4.27	55.05	4.35	54.37	4.43	53.91	4.46	53.53	4.49	52.17	4.56
	63	59	55.94	4.24	55.33	4.31	54.85	4.37	54.47	4.40	54.17	4.41	52.91	4.47
	68	64	56.10	4.21	55.61	4.27	55.33	4.32	55.05	4.33	54.82	4.34	53.67	4.38

Part 2 Product data Outdoor units

# MULTI ZONE

## 7. Capacity tables

Models : MR48DEY3JM

[Heating Capacity]

### ■ Ducted type indoor unit

Combination Capacity Index (kBtu/h(%))	Outdoor Air Temp.		Indoor Air Temp.: °FDB											
			61		64		68		70		72		75	
	°F DB	°F WB	TC	PI	TC	PI	TC	PI	TC	PI	TC	PI	TC	PI
48 (100%)	-4	-4.4	22.09	2.29	20.53	2.38	20.37	2.40	20.12	2.41	19.92	2.42	19.04	2.51
	0	-0.4	25.60	2.43	24.12	2.52	23.72	2.55	23.38	2.57	23.11	2.59	22.14	2.68
	5	4.5	29.78	2.60	28.40	2.69	27.71	2.74	27.26	2.77	26.90	2.80	25.82	2.89
	10	9	32.57	2.75	31.26	2.85	30.38	2.92	29.86	2.96	29.44	2.99	28.29	3.08
	17	15	35.65	2.96	34.41	3.05	33.32	3.15	32.72	3.20	32.24	3.24	31.00	3.34
	20	19	37.51	3.10	36.32	3.19	35.10	3.30	34.45	3.36	33.93	3.41	32.64	3.51
	25	23	40.63	3.34	39.43	3.43	38.06	3.56	37.34	3.63	36.76	3.69	35.38	3.79
	30	28	43.79	3.59	42.44	3.71	40.98	3.82	40.23	3.90	39.62	3.97	38.17	4.07
	35	32	46.94	3.84	45.45	3.98	43.90	4.08	43.11	4.18	42.48	4.25	40.95	4.36
	40	36	49.34	3.95	47.95	4.09	46.42	4.21	45.62	4.29	44.97	4.36	43.34	4.48
	45	41	52.33	4.09	51.08	4.23	49.57	4.36	48.75	4.44	48.09	4.50	46.34	4.64
	47	43	53.52	4.15	52.33	4.29	50.83	4.42	50.00	4.50	49.34	4.56	47.54	4.70
	50	46	53.68	4.12	52.60	4.25	51.29	4.37	50.55	4.44	49.96	4.49	48.27	4.61
	55	51	53.94	4.08	53.05	4.18	52.07	4.28	51.47	4.33	50.99	4.37	49.48	4.46
	60	56	54.20	4.04	53.50	4.11	52.84	4.19	52.39	4.22	52.03	4.25	50.69	4.31
	63	59	54.36	4.01	53.77	4.07	53.30	4.14	52.94	4.16	52.65	4.17	51.42	4.22
68	64	54.52	3.98	54.04	4.03	53.77	4.08	53.49	4.09	53.27	4.10	52.16	4.14	
43 (90%)	-4	-4.4	19.35	2.04	17.98	2.12	17.84	2.14	17.62	2.15	17.45	2.16	16.68	2.24
	0	-0.4	22.43	2.16	21.13	2.25	20.78	2.28	20.48	2.29	20.25	2.31	19.39	2.39
	5	4.5	26.09	2.31	24.88	2.40	24.28	2.44	23.88	2.47	23.57	2.49	22.62	2.58
	10	9	28.53	2.45	27.38	2.54	26.62	2.60	26.16	2.63	25.79	2.66	24.78	2.75
	17	15	31.23	2.64	30.14	2.72	29.19	2.80	28.66	2.85	28.24	2.89	27.15	2.97
	20	19	32.86	2.76	31.81	2.84	30.75	2.94	30.18	3.00	29.72	3.04	28.59	3.12
	25	23	35.60	2.97	34.54	3.06	33.34	3.17	32.71	3.24	32.20	3.29	30.99	3.38
	30	28	38.36	3.20	37.17	3.30	35.90	3.40	35.24	3.48	34.71	3.54	33.43	3.63
	35	32	41.12	3.42	39.81	3.54	38.46	3.64	37.77	3.72	37.21	3.79	35.87	3.88
	40	36	43.22	3.52	42.00	3.64	40.66	3.75	39.96	3.83	39.40	3.89	37.97	3.99
	45	41	45.84	3.65	44.74	3.77	43.42	3.89	42.70	3.96	42.13	4.01	40.60	4.13
	47	43	46.88	3.70	45.84	3.82	44.53	3.94	43.80	4.01	43.22	4.06	41.65	4.19
	50	46	47.02	3.67	46.07	3.78	44.93	3.89	44.28	3.95	43.76	4.00	42.28	4.11
	55	51	47.25	3.64	46.47	3.73	45.61	3.81	45.09	3.86	44.67	3.89	43.35	3.97
	60	56	47.48	3.60	46.86	3.67	46.29	3.73	45.89	3.76	45.57	3.78	44.41	3.84
	63	59	47.62	3.57	47.10	3.63	46.69	3.69	46.37	3.70	46.12	3.72	45.05	3.76
68	64	47.76	3.55	47.34	3.60	47.10	3.64	46.86	3.65	46.67	3.66	45.69	3.69	
38 (80%)	-4	-4.4	17.10	1.79	15.89	1.86	15.76	1.88	15.57	1.89	15.42	1.89	14.74	1.97
	0	-0.4	19.82	1.90	18.67	1.97	18.36	2.00	18.10	2.01	17.89	2.02	17.14	2.10
	5	4.5	23.05	2.03	21.98	2.10	21.45	2.15	21.10	2.17	20.82	2.19	19.98	2.26
	10	9	25.21	2.15	24.19	2.23	23.52	2.28	23.11	2.31	22.79	2.34	21.89	2.41
	17	15	27.59	2.31	26.63	2.39	25.79	2.46	25.33	2.50	24.95	2.54	23.99	2.61
	20	19	29.03	2.42	28.11	2.50	27.17	2.58	26.67	2.63	26.26	2.67	25.26	2.74
	25	23	31.45	2.61	30.52	2.68	29.46	2.79	28.90	2.84	28.45	2.89	27.38	2.96
	30	28	33.89	2.81	32.84	2.90	31.72	2.99	31.13	3.05	30.67	3.11	29.54	3.19
	35	32	36.33	3.00	35.18	3.11	33.98	3.19	33.37	3.27	32.88	3.33	31.69	3.41
	40	36	38.19	3.09	37.11	3.20	35.93	3.29	35.31	3.36	34.81	3.41	33.55	3.50
	45	41	40.50	3.20	39.53	3.31	38.37	3.41	37.73	3.47	37.22	3.52	35.87	3.63
	47	43	41.43	3.25	40.50	3.35	39.34	3.46	38.70	3.52	38.19	3.57	36.80	3.67
	50	46	41.55	3.23	40.71	3.32	39.70	3.42	39.13	3.47	38.67	3.51	37.36	3.61
	55	51	41.75	3.19	41.06	3.27	40.30	3.35	39.84	3.39	39.47	3.42	38.30	3.49
	60	56	41.95	3.16	41.41	3.22	40.90	3.28	40.55	3.30	40.27	3.32	39.24	3.37
	63	59	42.07	3.14	41.62	3.19	41.26	3.24	40.97	3.25	40.75	3.26	39.80	3.30
68	64	42.20	3.12	41.83	3.16	41.62	3.19	41.40	3.20	41.23	3.21	40.37	3.24	
34 (70%)	-4	-4.4	15.30	1.59	14.22	1.65	14.11	1.66	13.93	1.67	13.80	1.68	13.19	1.74
	0	-0.4	17.73	1.68	16.71	1.75	16.43	1.77	16.20	1.78	16.01	1.79	15.33	1.86
	5	4.5	20.62	1.80	19.67	1.87	19.19	1.90	18.88	1.92	18.63	1.94	17.88	2.00
	10	9	22.56	1.91	21.65	1.97	21.04	2.02	20.68	2.05	20.39	2.07	19.59	2.14
	17	15	24.69	2.05	23.83	2.12	23.08	2.18	22.66	2.22	22.33	2.25	21.47	2.31
	20	19	25.98	2.15	25.15	2.21	24.31	2.29	23.86	2.33	23.50	2.37	22.61	2.43
	25	23	28.14	2.31	27.31	2.38	26.36	2.47	25.86	2.52	25.46	2.56	24.50	2.63
	30	28	30.33	2.49	29.39	2.57	28.38	2.65	27.86	2.71	27.44	2.75	26.43	2.82
	35	32	32.51	2.66	31.48	2.76	30.41	2.83	29.86	2.90	29.42	2.95	28.36	3.02
	40	36	34.17	2.74	33.21	2.84	32.15	2.92	31.59	2.98	31.15	3.03	30.02	3.11
	45	41	36.24	2.84	35.37	2.93	34.33	3.02	33.76	3.08	33.31	3.12	32.10	3.21
	47	43	37.07	2.88	36.24	2.97	35.21	3.07	34.63	3.12	34.17	3.16	32.93	3.26
	50	46	37.18	2.86	36.43	2.94	35.53	3.03	35.01	3.08	34.60	3.11	33.43	3.20
	55	51	37.36	2.83	36.74	2.90	36.06	2.97	35.65	3.00	35.32	3.03	34.27	3.09
	60	56	37.54	2.80	37.05	2.85	36.60	2.90	36.28	2.93	36.03	2.94	35.11	2.99
	63	59	37.65	2.78	37.24	2.82	36.92	2.87	36.66	2.88	36.46	2.89	35.62	2.93
68	64	37.76	2.76	37.43	2.80	37.24	2.83	37.05	2.84	36.90	2.84	36.13	2.87	

Part 2 Product data\_ Outdoor units

# 7. Capacity tables

Models : MR48DEY3JM

[Heating Capacity]

■ Ducted type indoor unit

Combination Capacity Index (kBtu/h(%))	Outdoor Air Temp.		Indoor Air Temp.: °FDB											
			61		64		68		70		72		75	
			TC	PI	TC	PI	TC	PI	TC	PI	TC	PI	TC	PI
°F DB	°F WB	kBtu/h	kW	kBtu/h	kW	kBtu/h	kW	kBtu/h	kW	kBtu/h	kW	kBtu/h	kW	
29 (60%)	-4	-4.4	13.05	1.34	12.13	1.39	12.03	1.40	11.89	1.41	11.77	1.41	11.25	1.47
	0	-0.4	15.13	1.42	14.25	1.47	14.02	1.49	13.82	1.50	13.65	1.51	13.08	1.57
	5	4.5	17.59	1.52	16.78	1.57	16.37	1.60	16.11	1.62	15.90	1.63	15.25	1.69
	10	9	19.24	1.61	18.47	1.66	17.95	1.70	17.64	1.73	17.40	1.75	16.71	1.80
	17	15	21.06	1.73	20.33	1.78	19.69	1.84	19.33	1.87	19.05	1.89	18.31	1.95
	20	19	22.16	1.81	21.46	1.87	20.74	1.93	20.35	1.97	20.05	1.99	19.28	2.05
	25	23	24.01	1.95	23.30	2.01	22.49	2.08	22.06	2.12	21.72	2.16	20.90	2.21
	30	28	25.87	2.10	25.07	2.17	24.21	2.23	23.77	2.28	23.41	2.32	22.55	2.38
	35	32	27.73	2.24	26.85	2.32	25.94	2.39	25.47	2.44	25.10	2.49	24.19	2.55
	40	36	29.15	2.31	28.33	2.39	27.43	2.46	26.95	2.51	26.57	2.55	25.61	2.62
	45	41	30.91	2.39	30.18	2.47	29.29	2.55	28.80	2.60	28.41	2.63	27.38	2.71
	47	43	31.62	2.43	30.91	2.51	30.03	2.59	29.54	2.63	29.15	2.67	28.09	2.75
	50	46	31.71	2.41	31.07	2.48	30.30	2.55	29.87	2.59	29.51	2.62	28.52	2.69
	55	51	31.87	2.38	31.34	2.44	30.76	2.50	30.41	2.53	30.13	2.55	29.23	2.61
	60	56	32.02	2.36	31.61	2.40	31.22	2.45	30.95	2.47	30.74	2.48	29.95	2.52
63	59	32.12	2.34	31.77	2.38	31.49	2.42	31.28	2.43	31.10	2.44	30.38	2.47	
68	64	32.21	2.33	31.93	2.36	31.77	2.39	31.60	2.39	31.47	2.40	30.82	2.42	
24 (50%)	-4	-4.4	10.80	1.09	10.03	1.13	9.96	1.14	9.83	1.15	9.74	1.15	9.31	1.20
	0	-0.4	12.52	1.15	11.79	1.20	11.60	1.22	11.43	1.22	11.30	1.23	10.82	1.28
	5	4.5	14.56	1.23	13.88	1.28	13.55	1.30	13.33	1.32	13.15	1.33	12.62	1.38
	10	9	15.92	1.31	15.28	1.35	14.85	1.39	14.60	1.41	14.39	1.42	13.83	1.47
	17	15	17.42	1.41	16.82	1.45	16.29	1.50	15.99	1.52	15.76	1.54	15.15	1.59
	20	19	18.34	1.47	17.75	1.52	17.16	1.57	16.84	1.60	16.59	1.62	15.96	1.67
	25	23	19.86	1.59	19.27	1.63	18.60	1.69	18.25	1.73	17.97	1.76	17.29	1.80
	30	28	21.40	1.71	20.74	1.76	20.03	1.82	19.66	1.86	19.37	1.89	18.66	1.94
	35	32	22.95	1.83	22.22	1.89	21.46	1.94	21.07	1.99	20.76	2.02	20.01	2.07
	40	36	24.12	1.88	23.44	1.95	22.69	2.00	22.30	2.04	21.98	2.08	21.19	2.13
	45	41	25.58	1.95	24.97	2.01	24.23	2.07	23.83	2.11	23.51	2.14	22.65	2.20
	47	43	26.16	1.97	25.58	2.04	24.85	2.10	24.44	2.14	24.12	2.17	23.24	2.23
	50	46	26.24	1.96	25.71	2.02	25.07	2.08	24.71	2.11	24.42	2.13	23.59	2.19
	55	51	26.37	1.94	25.93	1.99	25.45	2.04	25.16	2.06	24.92	2.08	24.19	2.12
	60	56	26.49	1.92	26.15	1.96	25.83	1.99	25.61	2.01	25.43	2.02	24.78	2.05
63	59	26.57	1.91	26.28	1.94	26.05	1.97	25.88	1.98	25.73	1.98	25.14	2.01	
68	64	26.65	1.89	26.41	1.92	26.28	1.94	26.15	1.95	26.04	1.95	25.50	1.97	

Notes :

- Capacities are based on the following conditions.  
 Piping Length : Main pipe(A+B, 5m(16.4ft)) + Branch pipe (L1+L2+L3+L4+L5+L6, 30m(98.4ft))=35m(115ft)  
 Level difference : 0ft
- TC : Total Capacity (kBtu/h)  
 PI : Power Input (kW)

Part 2 Product data Outdoor units

# MULTI ZONE

## 7. Capacity tables

Models : MR48DEY3JM

[Cooling capacity]

### ■ Mixed type indoor unit

Combination Capacity Index (kBtu/h(%))	Outdoor Air Temp.: °FDB	Indoor Air Temp.: °FDB / °FWB											
		68 / 57		73 / 61		77 / 64		80 / 67		86 / 72		90 / 75	
		TC kBtu/h	PI kW	TC kBtu/h	PI kW	TC kBtu/h	PI kW	TC kBtu/h	PI kW	TC kBtu/h	PI kW	TC kBtu/h	PI kW
65 (135%)	14	49.53	3.07	52.61	3.18	55.69	3.30	57.91	3.34	61.84	3.40	64.92	3.47
	20	49.50	3.12	52.57	3.23	55.64	3.35	57.86	3.39	61.79	3.45	64.87	3.52
	25	49.46	3.16	52.53	3.28	55.60	3.40	57.82	3.44	61.75	3.50	64.82	3.57
	30	49.42	3.21	52.49	3.32	55.56	3.44	57.78	3.48	61.70	3.55	64.77	3.62
	35	49.38	3.25	52.45	3.37	55.52	3.49	57.73	3.53	61.65	3.60	64.72	3.67
	40	49.35	3.29	52.41	3.41	55.47	3.54	57.69	3.58	61.60	3.65	64.67	3.72
	45	49.31	3.34	52.37	3.46	55.43	3.59	57.64	3.63	61.56	3.69	64.62	3.77
	50	49.27	3.38	52.33	3.51	55.39	3.63	57.60	3.68	61.51	3.74	64.57	3.82
	55	49.23	3.43	52.29	3.55	55.35	3.68	57.56	3.72	61.46	3.79	64.52	3.87
	60	49.19	3.47	52.25	3.60	55.30	3.73	57.51	3.77	61.42	3.84	64.47	3.92
	65	49.16	3.51	52.21	3.64	55.26	3.78	57.47	3.82	61.37	3.89	64.42	3.97
	70	49.12	3.56	52.17	3.69	55.22	3.82	57.42	3.87	61.32	3.94	64.37	4.02
	75	47.94	3.75	50.98	3.89	54.02	4.03	56.22	4.08	60.11	4.15	63.15	4.24
	80	46.75	3.94	49.79	4.09	52.83	4.24	55.02	4.28	58.90	4.36	61.93	4.45
	85	45.58	4.13	48.61	4.29	51.64	4.44	53.83	4.49	57.70	4.58	60.72	4.67
	90	44.41	4.33	47.43	4.48	50.45	4.65	52.63	4.70	56.49	4.79	59.51	4.89
	95	43.14	4.52	46.15	4.68	49.15	4.85	50.53	4.91	55.16	5.00	58.17	5.10
	100	42.09	4.71	45.10	4.88	48.10	5.06	49.88	5.12	54.11	5.21	57.12	5.32
105	41.04	4.90	44.04	5.08	47.05	5.27	49.22	5.33	53.06	5.43	56.07	5.54	
110	39.99	5.09	42.99	5.28	46.00	5.47	48.17	5.54	52.01	5.64	55.02	5.75	
115	38.94	5.29	41.94	5.48	44.95	5.68	47.12	5.74	50.96	5.85	53.97	5.97	
118	38.31	5.40	41.31	5.60	44.32	5.80	46.49	5.87	50.33	5.98	53.33	6.10	
122	38.10	5.55	41.10	5.76	44.11	5.97	46.28	6.04	50.12	6.15	53.12	6.27	
62 (130%)	14	48.75	2.97	51.78	3.07	54.81	3.19	56.99	3.22	60.86	3.28	63.89	3.35
	20	48.71	3.01	51.74	3.12	54.76	3.23	56.95	3.27	60.81	3.33	63.84	3.40
	25	48.68	3.05	51.70	3.16	54.72	3.28	56.91	3.32	60.77	3.38	63.79	3.45
	30	48.64	3.09	51.66	3.21	54.68	3.32	56.86	3.36	60.72	3.43	63.74	3.49
	35	48.60	3.14	51.62	3.25	54.64	3.37	56.82	3.41	60.67	3.47	63.69	3.54
	40	48.56	3.18	51.58	3.30	54.60	3.42	56.77	3.46	60.63	3.52	63.64	3.59
	45	48.53	3.22	51.54	3.34	54.55	3.46	56.73	3.50	60.58	3.57	63.60	3.64
	50	48.49	3.26	51.50	3.38	54.51	3.51	56.69	3.55	60.54	3.61	63.55	3.69
	55	48.45	3.31	51.46	3.43	54.47	3.55	56.64	3.59	60.49	3.66	63.50	3.74
	60	48.42	3.35	51.42	3.47	54.43	3.60	56.60	3.64	60.44	3.71	63.45	3.78
	65	48.38	3.39	51.38	3.52	54.39	3.64	56.56	3.69	60.40	3.76	63.40	3.83
	70	48.34	3.44	51.34	3.56	54.35	3.69	56.51	3.73	60.35	3.80	63.35	3.88
	75	47.18	3.62	50.17	3.75	53.17	3.89	55.33	3.93	59.16	4.01	62.15	4.09
	80	46.01	3.81	49.00	3.94	51.99	4.09	54.15	4.14	57.96	4.21	60.95	4.30
	85	44.86	3.99	47.84	4.14	50.82	4.29	52.97	4.34	56.78	4.42	59.76	4.51
	90	43.71	4.18	46.68	4.33	49.65	4.49	51.80	4.54	55.60	4.62	58.57	4.72
	95	42.46	4.36	45.42	4.52	48.37	4.69	49.73	4.74	54.29	4.83	57.25	4.93
	100	41.42	4.55	44.38	4.71	47.34	4.89	49.09	4.94	53.25	5.03	56.21	5.14
105	40.39	4.73	43.35	4.91	46.31	5.08	48.44	5.14	52.22	5.24	55.18	5.34	
110	39.36	4.92	42.31	5.10	45.27	5.28	47.41	5.34	51.19	5.44	54.14	5.55	
115	38.32	5.10	41.28	5.29	44.24	5.48	46.37	5.55	50.15	5.65	53.11	5.76	
118	37.70	5.21	40.66	5.40	43.62	5.60	45.75	5.67	49.53	5.77	52.49	5.89	
122	37.49	5.36	40.45	5.56	43.41	5.76	45.55	5.83	49.33	5.94	52.28	6.06	

# MULTI ZONE

## 7. Capacity tables

Models : MR48DEY3JM

[Cooling capacity]

### ■ Mixed type indoor unit

Combination Capacity Index (kBTu/h(%))	Outdoor Air Temp.: °FDB	Indoor Air Temp.: °FDB / °FWB											
		68 / 57		73 / 61		77 / 64		80 / 67		86 / 72		90 / 75	
		TC kBTu/h	PI kW	TC kBTu/h	PI kW	TC kBTu/h	PI kW	TC kBTu/h	PI kW	TC kBTu/h	PI kW	TC kBTu/h	PI kW
58 (120%)	14	47.70	2.82	50.66	2.93	53.63	3.03	55.77	3.07	59.55	3.12	62.51	3.19
	20	47.66	2.86	50.63	2.97	53.59	3.08	55.72	3.11	59.51	3.17	62.47	3.23
	25	47.63	2.90	50.59	3.01	53.54	3.12	55.68	3.16	59.46	3.21	62.42	3.28
	30	47.59	2.94	50.55	3.05	53.50	3.16	55.64	3.20	59.41	3.26	62.37	3.32
	35	47.56	2.98	50.51	3.09	53.46	3.21	55.60	3.24	59.37	3.30	62.32	3.37
	40	47.52	3.03	50.47	3.14	53.42	3.25	55.55	3.29	59.32	3.35	62.28	3.42
	45	47.48	3.07	50.43	3.18	53.38	3.29	55.51	3.33	59.28	3.39	62.23	3.46
	50	47.45	3.11	50.39	3.22	53.34	3.34	55.47	3.38	59.23	3.44	62.18	3.51
	55	47.41	3.15	50.35	3.26	53.30	3.38	55.43	3.42	59.19	3.48	62.13	3.55
	60	47.37	3.19	50.32	3.30	53.26	3.42	55.38	3.46	59.14	3.53	62.08	3.60
	65	47.34	3.23	50.28	3.35	53.22	3.47	55.34	3.51	59.10	3.57	62.04	3.65
	70	47.30	3.27	50.24	3.39	53.18	3.51	55.30	3.55	59.05	3.62	61.99	3.69
	75	46.16	3.44	49.09	3.57	52.02	3.70	54.14	3.74	57.88	3.81	60.81	3.89
	80	45.02	3.62	47.95	3.75	50.87	3.89	52.98	3.94	56.72	4.01	59.64	4.09
	85	43.90	3.80	46.81	3.94	49.73	4.08	51.83	4.13	55.56	4.20	58.48	4.29
	90	42.77	3.97	45.68	4.12	48.59	4.27	50.69	4.32	54.40	4.40	57.31	4.49
	95	41.54	4.15	44.44	4.30	47.33	4.46	48.66	4.51	53.12	4.59	56.01	4.69
	100	40.53	4.33	43.43	4.48	46.32	4.65	48.03	4.70	52.11	4.79	55.00	4.89
105	39.52	4.50	42.41	4.67	45.31	4.84	47.40	4.89	51.10	4.98	53.99	5.09	
110	38.51	4.68	41.40	4.85	44.30	5.03	46.39	5.08	50.09	5.18	52.98	5.28	
115	37.50	4.86	40.39	5.03	43.29	5.22	45.38	5.28	49.07	5.38	51.97	5.48	
118	36.89	4.96	39.78	5.14	42.68	5.33	44.77	5.39	48.47	5.49	51.36	5.60	
122	36.69	5.10	39.58	5.29	42.48	5.48	44.57	5.54	48.26	5.65	51.16	5.76	
53 (110%)	14	46.40	2.65	49.28	2.75	52.16	2.85	54.24	2.88	57.92	2.94	60.80	3.00
	20	46.36	2.69	49.24	2.79	52.12	2.89	54.20	2.92	57.88	2.98	60.76	3.04
	25	46.33	2.73	49.20	2.83	52.08	2.93	54.16	2.97	57.84	3.02	60.71	3.08
	30	46.29	2.77	49.17	2.87	52.04	2.97	54.12	3.01	57.79	3.06	60.67	3.13
	35	46.26	2.81	49.13	2.91	52.00	3.01	54.08	3.05	57.75	3.11	60.62	3.17
	40	46.22	2.84	49.09	2.95	51.96	3.06	54.03	3.09	57.70	3.15	60.57	3.21
	45	46.19	2.88	49.05	2.99	51.92	3.10	53.99	3.13	57.66	3.19	60.53	3.25
	50	46.15	2.92	49.02	3.03	51.88	3.14	53.95	3.17	57.61	3.23	60.48	3.30
	55	46.11	2.96	48.98	3.07	51.84	3.18	53.91	3.21	57.57	3.28	60.43	3.34
	60	46.08	3.00	48.94	3.11	51.80	3.22	53.87	3.26	57.53	3.32	60.39	3.38
	65	46.04	3.03	48.90	3.15	51.76	3.26	53.83	3.30	57.48	3.36	60.34	3.43
	70	46.01	3.07	48.87	3.18	51.72	3.30	53.79	3.34	57.44	3.40	60.29	3.47
	75	44.90	3.24	47.75	3.36	50.60	3.48	52.66	3.52	56.30	3.59	59.15	3.66
	80	43.79	3.40	46.64	3.53	49.48	3.66	51.53	3.70	55.17	3.77	58.01	3.84
	85	42.70	3.57	45.53	3.70	48.37	3.84	50.42	3.88	54.04	3.95	56.88	4.03
	90	41.60	3.74	44.43	3.87	47.26	4.01	49.30	4.06	52.92	4.14	55.75	4.22
	95	40.41	3.90	43.22	4.04	46.04	4.19	47.33	4.24	51.67	4.32	54.48	4.41
	100	39.42	4.07	42.24	4.22	45.05	4.37	46.72	4.42	50.68	4.50	53.50	4.59
105	38.44	4.23	41.26	4.39	44.07	4.55	46.10	4.60	49.70	4.69	52.52	4.78	
110	37.46	4.40	40.27	4.56	43.09	4.73	45.12	4.78	48.72	4.87	51.53	4.97	
115	36.47	4.56	39.29	4.73	42.10	4.90	44.14	4.96	47.73	5.05	50.55	5.16	
118	35.88	4.66	38.70	4.83	41.51	5.01	43.55	5.07	47.14	5.16	49.96	5.27	
122	35.69	4.80	38.50	4.97	41.32	5.15	43.35	5.21	46.95	5.31	49.76	5.42	

# MULTI ZONE

## 7. Capacity tables

Models : MR48DEY3JM

[Cooling capacity]

### ■ Mixed type indoor unit

Combination Capacity Index (kBtu/h(%))	Outdoor Air Temp.: °FDB	Indoor Air Temp.: °FDB / °FWB											
		68 / 57		73 / 61		77 / 64		80 / 67		86 / 72		90 / 75	
		TC kBtu/h	PI kW	TC kBtu/h	PI kW	TC kBtu/h	PI kW	TC kBtu/h	PI kW	TC kBtu/h	PI kW	TC kBtu/h	PI kW
48 (100%)	14	45.09	2.48	47.89	2.57	50.69	2.66	52.72	2.69	56.30	2.74	59.10	2.80
	20	45.06	2.51	47.86	2.61	50.66	2.70	52.68	2.73	56.25	2.78	59.05	2.84
	25	45.02	2.55	47.82	2.64	50.62	2.74	52.64	2.77	56.21	2.82	59.01	2.88
	30	44.99	2.58	47.78	2.68	50.58	2.78	52.60	2.81	56.17	2.86	58.96	2.92
	35	44.96	2.62	47.75	2.72	50.54	2.82	52.56	2.85	56.12	2.90	58.92	2.96
	40	44.92	2.66	47.71	2.75	50.50	2.85	52.52	2.89	56.08	2.94	58.87	3.00
	45	44.89	2.69	47.68	2.79	50.46	2.89	52.48	2.93	56.04	2.98	58.83	3.04
	50	44.85	2.73	47.64	2.83	50.42	2.93	52.44	2.96	56.00	3.02	58.78	3.08
	55	44.82	2.76	47.60	2.86	50.39	2.97	52.40	3.00	55.95	3.06	58.74	3.12
	60	44.78	2.80	47.57	2.90	50.35	3.01	52.36	3.04	55.91	3.10	58.69	3.16
	65	44.75	2.83	47.53	2.94	50.31	3.04	52.32	3.08	55.87	3.14	58.65	3.20
	70	44.72	2.87	47.49	2.97	50.27	3.08	52.28	3.12	55.82	3.18	58.60	3.24
	75	43.64	3.02	46.41	3.14	49.18	3.25	51.18	3.29	54.72	3.35	57.49	3.42
	80	42.56	3.18	45.33	3.30	48.09	3.42	50.09	3.46	53.62	3.52	56.38	3.59
	85	41.50	3.33	44.25	3.46	47.01	3.58	49.00	3.62	52.52	3.69	55.28	3.77
	90	40.43	3.49	43.18	3.62	45.93	3.75	47.92	3.79	51.43	3.86	54.18	3.94
	95	39.27	3.64	42.01	3.78	44.74	3.91	46.00	3.96	50.22	4.03	52.95	4.12
	100	38.32	3.80	41.05	3.94	43.79	4.08	45.40	4.13	49.26	4.21	52.00	4.29
105	37.36	3.95	40.10	4.10	42.83	4.25	44.81	4.30	48.30	4.38	51.04	4.47	
110	36.40	4.11	39.14	4.26	41.88	4.41	43.85	4.46	47.35	4.55	50.08	4.64	
115	35.45	4.26	38.18	4.42	40.92	4.58	42.90	4.63	46.39	4.72	49.13	4.81	
118	34.87	4.36	37.61	4.52	40.35	4.68	42.32	4.73	45.82	4.82	48.55	4.92	
122	34.68	4.48	37.42	4.64	40.15	4.81	42.13	4.87	45.63	4.96	48.36	5.06	
43 (90%)	14	40.40	2.15	42.91	2.23	45.42	2.31	47.23	2.34	50.43	2.38	52.94	2.43
	20	40.37	2.18	42.87	2.26	45.38	2.35	47.19	2.37	50.40	2.42	52.90	2.47
	25	40.34	2.21	42.84	2.30	45.35	2.38	47.16	2.41	50.36	2.45	52.86	2.50
	30	40.31	2.25	42.81	2.33	45.31	2.41	47.12	2.44	50.32	2.49	52.82	2.54
	35	40.27	2.28	42.78	2.36	45.28	2.45	47.08	2.47	50.28	2.52	52.78	2.57
	40	40.24	2.31	42.74	2.39	45.24	2.48	47.05	2.51	50.24	2.55	52.74	2.61
	45	40.21	2.34	42.71	2.42	45.21	2.51	47.01	2.54	50.20	2.59	52.70	2.64
	50	40.18	2.37	42.68	2.46	45.17	2.55	46.98	2.57	50.16	2.62	52.66	2.68
	55	40.15	2.40	42.65	2.49	45.14	2.58	46.94	2.61	50.13	2.66	52.62	2.71
	60	40.12	2.43	42.61	2.52	45.10	2.61	46.90	2.64	50.09	2.69	52.58	2.75
	65	40.09	2.46	42.58	2.55	45.07	2.65	46.87	2.68	50.05	2.73	52.54	2.78
	70	40.06	2.49	42.55	2.58	45.03	2.68	46.83	2.71	50.01	2.76	52.50	2.82
	75	39.10	2.63	41.58	2.72	44.06	2.82	45.85	2.86	49.02	2.91	51.50	2.97
	80	38.13	2.76	40.61	2.86	43.08	2.97	44.87	3.00	48.03	3.06	50.51	3.12
	85	37.18	2.90	39.65	3.00	42.11	3.11	43.90	3.15	47.05	3.21	49.52	3.27
	90	36.22	3.03	38.68	3.14	41.15	3.26	42.93	3.29	46.07	3.36	48.54	3.42
	95	35.18	3.17	37.63	3.28	40.09	3.40	41.21	3.44	44.99	3.50	47.44	3.57
	100	34.33	3.30	36.78	3.42	39.23	3.55	40.68	3.59	44.13	3.65	46.58	3.73
105	33.47	3.43	35.92	3.56	38.37	3.69	40.14	3.73	43.27	3.80	45.73	3.88	
110	32.61	3.57	35.06	3.70	37.52	3.83	39.29	3.88	42.42	3.95	44.87	4.03	
115	31.76	3.70	34.21	3.84	36.66	3.98	38.43	4.02	41.56	4.10	44.01	4.18	
118	31.24	3.78	33.69	3.92	36.14	4.07	37.91	4.11	41.05	4.19	43.50	4.27	
122	31.07	3.89	33.52	4.03	35.97	4.18	37.74	4.23	40.88	4.31	43.33	4.40	

# MULTI ZONE

## 7. Capacity tables

Models : MR48DEY3JM

[Cooling capacity]

### ■ Mixed type indoor unit

Combination Capacity Index (kBtu/h(%))	Outdoor Air Temp.: °FDB	Indoor Air Temp.: °FDB / °FWB											
		68 / 57		73 / 61		77 / 64		80 / 67		86 / 72		90 / 75	
		TC kBtu/h	PI kW	TC kBtu/h	PI kW	TC kBtu/h	PI kW	TC kBtu/h	PI kW	TC kBtu/h	PI kW	TC kBtu/h	PI kW
38 (80%)	14	35.70	1.83	37.92	1.89	40.14	1.96	41.74	1.99	44.57	2.02	46.79	2.06
	20	35.68	1.85	37.89	1.92	40.11	1.99	41.71	2.01	44.54	2.05	46.75	2.09
	25	35.65	1.88	37.86	1.95	40.08	2.02	41.67	2.04	44.50	2.08	46.72	2.12
	30	35.62	1.91	37.83	1.98	40.05	2.05	41.64	2.07	44.47	2.11	46.68	2.15
	35	35.59	1.93	37.80	2.00	40.01	2.08	41.61	2.10	44.44	2.14	46.65	2.18
	40	35.57	1.96	37.78	2.03	39.98	2.10	41.58	2.13	44.40	2.17	46.61	2.21
	45	35.54	1.98	37.75	2.06	39.95	2.13	41.55	2.16	44.37	2.20	46.57	2.24
	50	35.51	2.01	37.72	2.08	39.92	2.16	41.52	2.19	44.33	2.23	46.54	2.27
	55	35.48	2.04	37.69	2.11	39.89	2.19	41.48	2.21	44.30	2.26	46.50	2.30
	60	35.46	2.06	37.66	2.14	39.86	2.22	41.45	2.24	44.27	2.28	46.47	2.33
	65	35.43	2.09	37.63	2.17	39.83	2.25	41.42	2.27	44.23	2.31	46.43	2.36
	70	35.40	2.12	37.60	2.19	39.80	2.27	41.39	2.30	44.20	2.34	46.40	2.39
	75	34.55	2.23	36.74	2.31	38.94	2.40	40.52	2.42	43.32	2.47	45.52	2.52
	80	33.70	2.34	35.89	2.43	38.07	2.52	39.65	2.55	42.45	2.60	44.64	2.65
	85	32.85	2.46	35.04	2.55	37.22	2.64	38.80	2.67	41.58	2.72	43.77	2.78
	90	32.01	2.57	34.19	2.67	36.36	2.76	37.94	2.80	40.72	2.85	42.90	2.91
	95	31.09	2.69	33.26	2.79	35.43	2.89	36.42	2.92	39.76	2.97	41.92	3.03
	100	30.34	2.80	32.50	2.90	34.67	3.01	35.95	3.04	39.00	3.10	41.17	3.16
105	29.58	2.92	31.75	3.02	33.91	3.13	35.48	3.17	38.24	3.23	40.41	3.29	
110	28.82	3.03	30.99	3.14	33.15	3.25	34.72	3.29	37.49	3.35	39.65	3.42	
115	28.07	3.14	30.23	3.26	32.40	3.38	33.96	3.42	36.73	3.48	38.90	3.55	
118	27.61	3.21	29.78	3.33	31.94	3.45	33.51	3.49	36.28	3.56	38.44	3.63	
122	27.46	3.30	29.63	3.42	31.79	3.55	33.36	3.59	36.12	3.66	38.29	3.73	
34 (70%)	14	31.94	1.57	33.92	1.63	35.91	1.69	37.34	1.71	39.87	1.74	41.86	1.77
	20	31.91	1.59	33.90	1.65	35.88	1.71	37.31	1.73	39.84	1.76	41.82	1.80
	25	31.89	1.62	33.87	1.67	35.85	1.74	37.28	1.76	39.81	1.79	41.79	1.82
	30	31.87	1.64	33.84	1.70	35.82	1.76	37.25	1.78	39.78	1.81	41.76	1.85
	35	31.84	1.66	33.82	1.72	35.80	1.78	37.22	1.81	39.75	1.84	41.73	1.88
	40	31.82	1.68	33.79	1.75	35.77	1.81	37.20	1.83	39.72	1.86	41.70	1.90
	45	31.79	1.71	33.77	1.77	35.74	1.83	37.17	1.85	39.69	1.89	41.66	1.93
	50	31.77	1.73	33.74	1.79	35.71	1.86	37.14	1.88	39.66	1.91	41.63	1.95
	55	31.74	1.75	33.71	1.82	35.69	1.88	37.11	1.90	39.63	1.94	41.60	1.98
	60	31.72	1.77	33.69	1.84	35.66	1.91	37.08	1.93	39.60	1.96	41.57	2.00
	65	31.69	1.80	33.66	1.86	35.63	1.93	37.05	1.95	39.57	1.99	41.54	2.03
	70	31.67	1.82	33.64	1.89	35.60	1.95	37.02	1.98	39.54	2.01	41.50	2.05
	75	30.91	1.92	32.87	1.99	34.83	2.06	36.25	2.08	38.76	2.12	40.72	2.17
	80	30.15	2.02	32.10	2.09	34.06	2.17	35.47	2.19	37.97	2.23	39.93	2.28
	85	29.39	2.11	31.34	2.19	33.30	2.27	34.71	2.30	37.20	2.34	39.15	2.39
	90	28.64	2.21	30.58	2.29	32.53	2.38	33.94	2.40	36.43	2.45	38.37	2.50
	95	27.82	2.31	29.75	2.39	31.69	2.48	32.58	2.51	35.57	2.56	37.50	2.61
	100	27.14	2.41	29.08	2.50	31.01	2.59	32.16	2.62	34.89	2.67	36.83	2.72
105	26.46	2.51	28.40	2.60	30.34	2.69	31.74	2.72	34.21	2.77	36.15	2.83	
110	25.78	2.60	27.72	2.70	29.66	2.80	31.06	2.83	33.53	2.88	35.47	2.94	
115	25.11	2.70	27.04	2.80	28.98	2.90	30.38	2.94	32.86	2.99	34.79	3.05	
118	24.70	2.76	26.64	2.86	28.58	2.97	29.97	3.00	32.45	3.06	34.39	3.12	
122	24.56	2.84	26.50	2.94	28.44	3.05	29.84	3.09	32.32	3.14	34.25	3.21	

# MULTI ZONE

## 7. Capacity tables

Models : MR48DEY3JM

[Cooling capacity]

### ■ Mixed type indoor unit

Combination Capacity Index (kBtu/h(%))	Outdoor Air Temp.: °FDB	Indoor Air Temp.: °FDB / °FWB											
		68 / 57		73 / 61		77 / 64		80 / 67		86 / 72		90 / 75	
		TC kBtu/h	PI kW	TC kBtu/h	PI kW	TC kBtu/h	PI kW	TC kBtu/h	PI kW	TC kBtu/h	PI kW	TC kBtu/h	PI kW
29 (60%)	14	27.24	1.25	28.93	1.29	30.63	1.34	31.85	1.35	34.01	1.38	35.70	1.41
	20	27.22	1.26	28.91	1.31	30.60	1.36	31.82	1.37	33.98	1.40	35.67	1.43
	25	27.20	1.28	28.89	1.33	30.58	1.38	31.80	1.39	33.96	1.42	35.65	1.45
	30	27.18	1.30	28.87	1.35	30.56	1.40	31.78	1.41	33.93	1.44	35.62	1.47
	35	27.16	1.32	28.85	1.36	30.53	1.41	31.75	1.43	33.91	1.46	35.59	1.49
	40	27.14	1.33	28.82	1.38	30.51	1.43	31.73	1.45	33.88	1.48	35.57	1.51
	45	27.12	1.35	28.80	1.40	30.49	1.45	31.70	1.47	33.85	1.50	35.54	1.53
	50	27.10	1.37	28.78	1.42	30.46	1.47	31.68	1.49	33.83	1.52	35.51	1.55
	55	27.08	1.39	28.76	1.44	30.44	1.49	31.65	1.51	33.80	1.54	35.48	1.57
	60	27.06	1.41	28.74	1.46	30.42	1.51	31.63	1.53	33.78	1.56	35.46	1.59
	65	27.03	1.42	28.71	1.48	30.39	1.53	31.61	1.55	33.75	1.58	35.43	1.61
	70	27.01	1.44	28.69	1.49	30.37	1.55	31.58	1.57	33.72	1.60	35.40	1.63
	75	26.36	1.52	28.04	1.58	29.71	1.63	30.92	1.65	33.06	1.68	34.73	1.72
	80	25.71	1.60	27.38	1.66	29.05	1.72	30.26	1.74	32.39	1.77	34.06	1.80
	85	25.07	1.68	26.73	1.74	28.40	1.80	29.60	1.82	31.73	1.85	33.40	1.89
	90	24.43	1.75	26.09	1.82	27.75	1.88	28.95	1.91	31.07	1.94	32.73	1.98
	95	23.73	1.83	25.38	1.90	27.03	1.97	27.79	1.99	30.34	2.03	31.99	2.07
	100	23.15	1.91	24.80	1.98	26.45	2.05	27.43	2.07	29.76	2.11	31.41	2.16
105	22.57	1.99	24.22	2.06	25.88	2.13	27.07	2.16	29.18	2.20	30.83	2.24	
110	21.99	2.06	23.65	2.14	25.30	2.22	26.49	2.24	28.60	2.29	30.26	2.33	
115	21.41	2.14	23.07	2.22	24.72	2.30	25.91	2.33	28.03	2.37	29.68	2.42	
118	21.07	2.19	22.72	2.27	24.37	2.35	25.57	2.38	27.68	2.42	29.33	2.47	
122	20.95	2.25	22.61	2.33	24.26	2.42	25.45	2.45	27.56	2.49	29.22	2.54	
24 (50%)	14	22.55	0.93	23.95	0.96	25.35	1.00	26.36	1.01	28.15	1.03	29.55	1.05
	20	22.53	0.94	23.93	0.97	25.33	1.01	26.34	1.02	28.13	1.04	29.53	1.06
	25	22.51	0.95	23.91	0.99	25.31	1.02	26.32	1.04	28.10	1.05	29.50	1.08
	30	22.50	0.97	23.89	1.00	25.29	1.04	26.30	1.05	28.08	1.07	29.48	1.09
	35	22.48	0.98	23.87	1.02	25.27	1.05	26.28	1.06	28.06	1.08	29.46	1.11
	40	22.46	0.99	23.86	1.03	25.25	1.07	26.26	1.08	28.04	1.10	29.44	1.12
	45	22.44	1.01	23.84	1.04	25.23	1.08	26.24	1.09	28.02	1.11	29.41	1.14
	50	22.43	1.02	23.82	1.06	25.21	1.10	26.22	1.11	28.00	1.13	29.39	1.15
	55	22.41	1.03	23.80	1.07	25.19	1.11	26.20	1.12	27.98	1.14	29.37	1.17
	60	22.39	1.05	23.78	1.08	25.17	1.12	26.18	1.14	27.95	1.16	29.35	1.18
	65	22.37	1.06	23.76	1.10	25.15	1.14	26.16	1.15	27.93	1.17	29.32	1.20
	70	22.36	1.07	23.75	1.11	25.13	1.15	26.14	1.17	27.91	1.19	29.30	1.21
	75	21.82	1.13	23.20	1.17	24.59	1.21	25.59	1.23	27.36	1.25	28.75	1.28
	80	21.28	1.19	22.66	1.23	24.04	1.28	25.04	1.29	26.81	1.32	28.19	1.34
	85	20.75	1.25	22.13	1.29	23.50	1.34	24.50	1.35	26.26	1.38	27.64	1.41
	90	20.22	1.30	21.59	1.35	22.96	1.40	23.96	1.42	25.71	1.44	27.09	1.47
	95	19.64	1.36	21.00	1.41	22.37	1.46	23.00	1.48	25.11	1.51	26.48	1.54
	100	19.16	1.42	20.53	1.47	21.89	1.53	22.70	1.54	24.63	1.57	26.00	1.60
105	18.68	1.48	20.05	1.53	21.42	1.59	22.40	1.61	24.15	1.64	25.52	1.67	
110	18.20	1.54	19.57	1.59	20.94	1.65	21.93	1.67	23.67	1.70	25.04	1.73	
115	17.72	1.59	19.09	1.65	20.46	1.71	21.45	1.73	23.20	1.76	24.56	1.80	
118	17.44	1.63	18.80	1.69	20.17	1.75	21.16	1.77	22.91	1.80	24.28	1.84	
122	17.34	1.67	18.71	1.74	20.08	1.80	21.07	1.82	22.81	1.85	24.18	1.89	

#### Notes:

1. Capacities are based on the following conditions.  
 Piping Length : Main pipe(A+B, 5m(16.4ft)) + Branch pipe  
 (L1+L2+L3+L4+L5+L6, 30m(98.4ft))=35m(115ft)  
 Level difference : 0ft

2. TC : Total Capacity (kBtu/h)  
 PI : Power Input (kW)

3. ■ indicates reference data. When operating at this temperature, these values can be different by discontinuous operation.

## 32 \_ Branch Distribution type

# MULTI ZONE

## 7. Capacity tables

Models : MR48DEY3JM

[Heating Capacity]

### ■ Mixed type indoor unit

Combination Capacity Index (kBtu/h(%))	Outdoor Air Temp.		Indoor Air Temp.: °FDB											
			61		64		68		70		72		75	
	°F DB	°F WB	TC	PI	TC	PI	TC	PI	TC	PI	TC	PI	TC	PI
65 (135%)	-4	-4.4	23.57	2.62	21.85	2.73	21.71	2.75	21.46	2.76	21.25	2.77	20.30	2.88
	0	-0.4	27.82	2.79	26.19	2.90	25.77	2.94	25.40	2.96	25.11	2.97	24.05	3.08
	5	4.5	32.87	2.99	31.34	3.10	30.59	3.16	30.09	3.20	29.70	3.22	28.50	3.33
	10	9	36.25	3.18	34.79	3.29	33.81	3.37	33.23	3.42	32.77	3.45	31.48	3.56
	17	15	39.97	3.43	38.58	3.54	37.36	3.65	36.69	3.71	36.15	3.76	34.76	3.87
	20	19	42.23	3.60	40.88	3.71	39.52	3.83	38.78	3.90	38.20	3.96	36.74	4.07
	25	23	46.00	3.88	44.64	4.00	43.09	4.15	42.27	4.23	41.62	4.30	40.05	4.41
	30	28	49.82	4.19	48.28	4.32	46.62	4.46	45.76	4.56	45.08	4.63	43.42	4.75
	35	32	53.63	4.49	51.92	4.65	50.15	4.77	49.25	4.88	48.53	4.97	46.78	5.09
	40	36	56.36	4.62	54.78	4.78	53.03	4.92	52.11	5.02	51.38	5.10	49.52	5.24
	45	41	59.78	4.78	58.35	4.94	56.63	5.10	55.69	5.19	54.94	5.27	52.94	5.42
	47	43	61.14	4.85	59.78	5.01	58.07	5.17	57.12	5.26	56.36	5.33	54.31	5.49
	50	46	61.32	4.82	60.09	4.96	58.60	5.11	57.75	5.18	57.07	5.25	55.14	5.39
	55	51	61.62	4.77	60.60	4.89	59.48	5.00	58.80	5.06	58.25	5.10	56.53	5.21
	60	56	61.92	4.72	61.12	4.81	60.36	4.90	59.85	4.93	59.43	4.96	57.91	5.04
	63	59	62.10	4.69	61.42	4.76	60.89	4.83	60.48	4.86	60.14	4.88	58.75	4.94
68	64	62.28	4.66	61.73	4.72	61.43	4.77	61.11	4.78	60.86	4.79	59.59	4.83	
62 (130%)	-4	-4.4	23.20	2.55	21.51	2.65	21.37	2.67	21.12	2.68	20.92	2.69	19.98	2.80
	0	-0.4	27.38	2.71	25.78	2.82	25.36	2.85	25.00	2.87	24.72	2.89	23.67	3.00
	5	4.5	32.35	2.91	30.84	3.01	30.11	3.07	29.62	3.11	29.23	3.13	28.05	3.24
	10	9	35.68	3.09	34.24	3.20	33.28	3.27	32.71	3.32	32.25	3.35	30.98	3.46
	17	15	39.34	3.33	37.97	3.44	36.78	3.54	36.11	3.60	35.58	3.65	34.21	3.76
	20	19	41.56	3.49	40.24	3.60	38.89	3.72	38.17	3.79	37.59	3.85	36.17	3.96
	25	23	45.28	3.77	43.94	3.88	42.41	4.03	41.61	4.11	40.96	4.17	39.42	4.28
	30	28	49.03	4.07	47.51	4.20	45.88	4.33	45.04	4.43	44.37	4.50	42.74	4.62
	35	32	52.78	4.36	51.10	4.52	49.36	4.63	48.48	4.74	47.77	4.83	46.04	4.95
	40	36	55.47	4.49	53.91	4.64	52.20	4.78	51.29	4.88	50.57	4.96	48.74	5.09
	45	41	58.83	4.65	57.43	4.80	55.74	4.95	54.81	5.04	54.07	5.12	52.11	5.26
	47	43	60.18	4.71	58.83	4.87	57.15	5.02	56.22	5.11	55.47	5.18	53.46	5.33
	50	46	60.36	4.68	59.14	4.82	57.68	4.96	56.84	5.04	56.17	5.10	54.27	5.23
	55	51	60.65	4.63	59.65	4.75	58.54	4.86	57.87	4.92	57.33	4.96	55.64	5.07
	60	56	60.95	4.58	60.15	4.67	59.41	4.76	58.90	4.79	58.50	4.82	57.00	4.90
	63	59	61.12	4.55	60.46	4.63	59.93	4.70	59.52	4.72	59.20	4.74	57.82	4.80
68	64	61.30	4.52	60.76	4.58	60.46	4.64	60.15	4.65	59.90	4.66	58.65	4.70	
58 (120%)	-4	-4.4	22.70	2.45	21.05	2.55	20.91	2.57	20.66	2.58	20.47	2.59	19.55	2.69
	0	-0.4	26.79	2.60	25.22	2.71	24.82	2.74	24.46	2.76	24.18	2.78	23.16	2.88
	5	4.5	31.66	2.79	30.18	2.90	29.46	2.95	28.98	2.98	28.60	3.01	27.45	3.11
	10	9	34.91	2.97	33.50	3.07	32.57	3.15	32.01	3.19	31.56	3.22	30.32	3.33
	17	15	38.49	3.20	37.16	3.30	35.98	3.41	35.33	3.46	34.81	3.51	33.47	3.61
	20	19	40.67	3.36	39.37	3.46	38.06	3.58	37.35	3.64	36.78	3.70	35.39	3.80
	25	23	44.30	3.62	42.99	3.73	41.50	3.87	40.71	3.95	40.08	4.01	38.57	4.12
	30	28	47.98	3.91	46.49	4.04	44.90	4.16	44.07	4.25	43.41	4.33	41.82	4.43
	35	32	51.65	4.19	50.00	4.34	48.30	4.45	47.43	4.56	46.74	4.64	45.05	4.75
	40	36	54.28	4.31	52.75	4.46	51.07	4.59	50.19	4.69	49.48	4.76	47.69	4.89
	45	41	57.57	4.47	56.19	4.62	54.54	4.76	53.63	4.85	52.91	4.92	50.99	5.06
	47	43	58.88	4.53	57.57	4.68	55.92	4.83	55.01	4.91	54.28	4.98	52.31	5.13
	50	46	59.06	4.50	57.87	4.63	56.43	4.77	55.62	4.84	54.96	4.90	53.11	5.03
	55	51	59.35	4.45	58.36	4.56	57.28	4.67	56.63	4.72	56.10	4.77	54.44	4.87
	60	56	59.63	4.40	58.86	4.49	58.13	4.57	57.64	4.61	57.24	4.63	55.77	4.71
	63	59	59.81	4.38	59.15	4.45	58.64	4.51	58.24	4.54	57.92	4.55	56.58	4.61
68	64	59.98	4.35	59.45	4.40	59.16	4.45	58.86	4.47	58.61	4.48	57.39	4.51	
53 (110%)	-4	-4.4	22.08	2.32	20.47	2.42	20.34	2.44	20.10	2.45	19.91	2.45	19.02	2.55
	0	-0.4	26.06	2.47	24.53	2.57	24.14	2.60	23.80	2.62	23.52	2.64	22.53	2.73
	5	4.5	30.79	2.65	29.36	2.75	28.65	2.80	28.19	2.83	27.82	2.86	26.70	2.95
	10	9	33.96	2.82	32.59	2.91	31.68	2.99	31.13	3.03	30.70	3.06	29.49	3.16
	17	15	37.45	3.04	36.14	3.14	35.00	3.23	34.37	3.29	33.86	3.33	32.56	3.43
	20	19	39.56	3.19	38.30	3.28	37.02	3.40	36.33	3.46	35.78	3.51	34.42	3.61
	25	23	43.10	3.44	41.82	3.54	40.36	3.67	39.60	3.75	38.99	3.81	37.52	3.91
	30	28	46.67	3.71	45.22	3.83	43.67	3.95	42.87	4.04	42.23	4.11	40.68	4.21
	35	32	50.24	3.98	48.64	4.12	46.98	4.23	46.14	4.32	45.46	4.40	43.82	4.51
	40	36	52.80	4.09	51.32	4.24	49.68	4.36	48.82	4.45	48.13	4.52	46.39	4.64
	45	41	56.00	4.24	54.66	4.38	53.05	4.52	52.17	4.60	51.47	4.67	49.60	4.80
	47	43	57.28	4.30	56.00	4.44	54.40	4.58	53.51	4.66	52.80	4.72	50.88	4.87
	50	46	57.45	4.27	56.29	4.40	54.89	4.53	54.10	4.59	53.46	4.65	51.66	4.77
	55	51	57.73	4.22	56.77	4.33	55.72	4.43	55.08	4.48	54.57	4.52	52.96	4.62
	60	56	58.01	4.18	57.25	4.26	56.55	4.34	56.06	4.37	55.68	4.40	54.25	4.47
	63	59	58.18	4.15	57.54	4.22	57.04	4.28	56.65	4.30	56.34	4.32	55.03	4.37
68	64	58.34	4.13	57.83	4.18	57.55	4.23	57.25	4.24	57.01	4.25	55.82	4.28	

# MULTI ZONE

## 7. Capacity tables

Models : MR48DEY3JM

[Heating Capacity]

### ■ Mixed type indoor unit

Combination Capacity Index (kBTu/h(%))	Outdoor Air Temp.		Indoor Air Temp.: °FDB											
			61		64		68		70		72		75	
	°F DB	°F WB	TC	PI	TC	PI	TC	PI	TC	PI	TC	PI	TC	PI
48 (100%)	-4	-4.4	21.46	2.20	19.90	2.29	19.77	2.31	19.53	2.32	19.35	2.32	18.48	2.41
	0	-0.4	25.33	2.34	23.84	2.43	23.46	2.46	23.13	2.48	22.86	2.49	21.89	2.59
	5	4.5	29.92	2.51	28.53	2.60	27.85	2.65	27.40	2.68	27.04	2.70	25.94	2.79
	10	9	33.00	2.67	31.67	2.76	30.78	2.83	30.25	2.86	29.83	2.89	28.66	2.99
	17	15	36.39	2.88	35.12	2.97	34.02	3.06	33.40	3.11	32.91	3.15	31.64	3.24
	20	19	38.44	3.02	37.22	3.11	35.97	3.21	35.31	3.27	34.77	3.32	33.45	3.41
	25	23	41.88	3.26	40.64	3.35	39.22	3.48	38.48	3.55	37.89	3.60	36.46	3.70
	30	28	45.35	3.51	43.95	3.63	42.44	3.74	41.66	3.82	41.04	3.89	39.53	3.98
	35	32	48.82	3.76	47.27	3.90	45.66	4.00	44.84	4.09	44.18	4.17	42.58	4.27
	40	36	51.31	3.87	49.87	4.01	48.28	4.12	47.44	4.21	46.77	4.28	45.08	4.39
	45	41	54.42	4.01	53.12	4.15	51.55	4.27	50.70	4.35	50.01	4.41	48.20	4.54
	47	43	55.66	4.07	54.42	4.20	52.86	4.34	52.00	4.41	51.31	4.47	49.44	4.60
	50	46	55.83	4.04	54.70	4.16	53.35	4.28	52.57	4.35	51.95	4.40	50.20	4.52
	55	51	56.10	4.00	55.17	4.10	54.15	4.19	53.53	4.24	53.03	4.28	51.46	4.37
	60	56	56.37	3.96	55.64	4.03	54.95	4.11	54.48	4.14	54.11	4.16	52.72	4.23
	63	59	56.53	3.93	55.92	3.99	55.44	4.05	55.06	4.07	54.75	4.09	53.48	4.14
68	64	56.70	3.90	56.20	3.95	55.92	4.00	55.63	4.01	55.41	4.02	54.25	4.05	
43 (90%)	-4	-4.4	18.80	1.96	17.43	2.05	17.32	2.06	17.11	2.07	16.95	2.08	16.19	2.16
	0	-0.4	22.18	2.09	20.88	2.17	20.55	2.20	20.26	2.22	20.02	2.23	19.18	2.31
	5	4.5	26.21	2.24	24.99	2.32	24.39	2.37	24.00	2.39	23.68	2.41	22.73	2.50
	10	9	28.91	2.38	27.74	2.46	26.97	2.53	26.50	2.56	26.13	2.59	25.10	2.67
	17	15	31.87	2.57	30.77	2.65	29.80	2.73	29.26	2.78	28.83	2.81	27.72	2.90
	20	19	33.67	2.69	32.60	2.78	31.51	2.87	30.93	2.92	30.46	2.97	29.30	3.05
	25	23	36.68	2.91	35.60	2.99	34.36	3.11	33.71	3.17	33.19	3.22	31.94	3.30
	30	28	39.73	3.14	38.50	3.24	37.17	3.34	36.49	3.41	35.95	3.47	34.63	3.56
	35	32	42.77	3.36	41.40	3.48	39.99	3.57	39.28	3.66	38.70	3.72	37.30	3.81
	40	36	44.94	3.46	43.68	3.58	42.29	3.68	41.56	3.76	40.97	3.82	39.49	3.92
	45	41	47.67	3.58	46.53	3.70	45.16	3.82	44.41	3.89	43.81	3.94	42.22	4.06
	47	43	48.76	3.63	47.67	3.75	46.31	3.87	45.55	3.94	44.94	3.99	43.31	4.11
	50	46	48.90	3.61	47.91	3.72	46.73	3.83	46.05	3.88	45.51	3.93	43.97	4.04
	55	51	49.14	3.57	48.33	3.66	47.43	3.75	46.89	3.79	46.45	3.82	45.08	3.91
	60	56	49.38	3.53	48.74	3.60	48.14	3.67	47.72	3.70	47.40	3.72	46.18	3.78
	63	59	49.52	3.51	48.98	3.57	48.56	3.62	48.23	3.64	47.96	3.65	46.85	3.70
68	64	49.67	3.49	49.23	3.53	48.99	3.57	48.73	3.58	48.53	3.59	47.52	3.62	
38 (80%)	-4	-4.4	16.61	1.73	15.40	1.81	15.30	1.82	15.12	1.83	14.97	1.83	14.31	1.91
	0	-0.4	19.60	1.84	18.45	1.92	18.16	1.94	17.90	1.96	17.69	1.97	16.95	2.04
	5	4.5	23.16	1.98	22.08	2.05	21.55	2.09	21.21	2.11	20.93	2.13	20.08	2.21
	10	9	25.54	2.10	24.51	2.18	23.83	2.23	23.42	2.26	23.09	2.28	22.18	2.36
	17	15	28.17	2.27	27.19	2.34	26.33	2.41	25.85	2.45	25.47	2.49	24.49	2.56
	20	19	29.75	2.38	28.81	2.45	27.85	2.54	27.33	2.58	26.91	2.62	25.89	2.69
	25	23	32.42	2.57	31.46	2.64	30.36	2.74	29.79	2.80	29.33	2.84	28.22	2.92
	30	28	35.10	2.77	34.02	2.86	32.85	2.95	32.25	3.01	31.76	3.07	30.60	3.14
	35	32	37.79	2.97	36.59	3.08	35.34	3.16	34.71	3.23	34.20	3.29	32.96	3.37
	40	36	39.72	3.06	38.60	3.16	37.37	3.25	36.72	3.32	36.20	3.38	34.89	3.46
	45	41	42.12	3.17	41.12	3.27	39.90	3.37	39.24	3.43	38.71	3.48	37.31	3.59
	47	43	43.08	3.21	42.12	3.31	40.92	3.42	40.25	3.48	39.72	3.53	38.27	3.63
	50	46	43.21	3.19	42.34	3.28	41.29	3.38	40.69	3.43	40.21	3.47	38.86	3.56
	55	51	43.42	3.15	42.70	3.23	41.91	3.31	41.43	3.35	41.05	3.38	39.83	3.45
	60	56	43.63	3.12	43.07	3.18	42.54	3.24	42.17	3.26	41.88	3.28	40.81	3.33
	63	59	43.76	3.10	43.28	3.15	42.91	3.20	42.62	3.21	42.38	3.23	41.40	3.27
68	64	43.89	3.08	43.50	3.12	43.29	3.16	43.06	3.17	42.89	3.17	41.99	3.20	
34 (70%)	-4	-4.4	14.86	1.55	13.78	1.61	13.69	1.62	13.53	1.63	13.40	1.63	12.80	1.70
	0	-0.4	17.54	1.64	16.51	1.71	16.25	1.73	16.01	1.74	15.83	1.75	15.16	1.82
	5	4.5	20.72	1.76	19.76	1.83	19.28	1.86	18.97	1.88	18.72	1.90	17.97	1.96
	10	9	22.85	1.87	21.93	1.94	21.32	1.99	20.95	2.01	20.66	2.03	19.85	2.10
	17	15	25.20	2.02	24.32	2.09	23.56	2.15	23.13	2.19	22.79	2.21	21.91	2.28
	20	19	26.62	2.12	25.77	2.18	24.91	2.26	24.45	2.30	24.08	2.33	23.16	2.40
	25	23	29.00	2.29	28.14	2.35	27.16	2.44	26.65	2.49	26.24	2.53	25.25	2.60
	30	28	31.41	2.47	30.43	2.55	29.39	2.63	28.85	2.69	28.42	2.73	27.37	2.80
	35	32	33.81	2.65	32.73	2.74	31.62	2.81	31.05	2.88	30.59	2.93	29.49	3.00
	40	36	35.53	2.72	34.53	2.82	33.43	2.90	32.85	2.96	32.39	3.01	31.22	3.09
	45	41	37.68	2.82	36.78	2.91	35.70	3.00	35.11	3.06	34.63	3.10	33.38	3.19
	47	43	38.55	2.86	37.68	2.95	36.61	3.05	36.01	3.10	35.53	3.14	34.24	3.24
	50	46	38.66	2.84	37.88	2.93	36.94	3.01	36.41	3.06	35.98	3.09	34.76	3.18
	55	51	38.85	2.81	38.20	2.88	37.50	2.95	37.07	2.98	36.72	3.01	35.64	3.07
	60	56	39.04	2.78	38.53	2.83	38.05	2.89	37.73	2.91	37.47	2.93	36.51	2.97
	63	59	39.15	2.76	38.72	2.81	38.39	2.85	38.13	2.86	37.92	2.88	37.03	2.91
68	64	39.26	2.74	38.92	2.78	38.73	2.81	38.53	2.82	38.37	2.83	37.57	2.85	

Part 2 Product data\_ Outdoor units

# 7. Capacity tables

Models : MR48DEY3JM

[Heating Capacity]

■ Mixed type indoor unit

Combination Capacity Index (kBtu/h(%))	Outdoor Air Temp.		Indoor Air Temp.: °FDB											
			61		64		68		70		72		75	
			TC	PI	TC	PI	TC	PI	TC	PI	TC	PI	TC	PI
	°F DB	°F WB	kBtu/h	kW	kBtu/h	kW	kBtu/h	kW	kBtu/h	kW	kBtu/h	kW	kBtu/h	kW
29 (60%)	-4	-4.4	12.68	1.32	11.75	1.37	11.68	1.38	11.54	1.39	11.43	1.39	10.92	1.45
	0	-0.4	14.96	1.40	14.08	1.45	13.86	1.47	13.66	1.48	13.50	1.49	12.93	1.55
	5	4.5	17.68	1.50	16.85	1.56	16.45	1.59	16.18	1.60	15.97	1.62	15.33	1.67
	10	9	19.50	1.60	18.71	1.65	18.19	1.69	17.87	1.71	17.62	1.73	16.93	1.79
	17	15	21.50	1.72	20.75	1.78	20.10	1.83	19.73	1.86	19.44	1.89	18.69	1.94
	20	19	22.71	1.80	21.99	1.86	21.25	1.92	20.86	1.96	20.54	1.99	19.76	2.04
	25	23	24.74	1.95	24.01	2.01	23.17	2.08	22.73	2.12	22.38	2.16	21.54	2.21
	30	28	26.79	2.10	25.96	2.17	25.07	2.24	24.61	2.29	24.24	2.33	23.35	2.38
	35	32	28.84	2.25	27.92	2.33	26.97	2.39	26.49	2.45	26.10	2.49	25.16	2.56
	40	36	30.31	2.32	29.46	2.40	28.52	2.47	28.03	2.52	27.63	2.56	26.63	2.63
	45	41	32.15	2.40	31.38	2.48	30.46	2.56	29.95	2.61	29.55	2.64	28.47	2.72
	47	43	32.88	2.43	32.15	2.51	31.23	2.60	30.72	2.64	30.31	2.68	29.21	2.76
	50	46	32.98	2.42	32.31	2.49	31.52	2.56	31.06	2.60	30.69	2.63	29.66	2.70
	55	51	33.14	2.39	32.59	2.45	31.99	2.51	31.62	2.54	31.33	2.56	30.40	2.62
	60	56	33.30	2.37	32.87	2.41	32.46	2.46	32.19	2.48	31.96	2.49	31.15	2.53
63	59	33.40	2.35	33.03	2.39	32.75	2.43	32.53	2.44	32.35	2.45	31.59	2.48	
68	64	33.50	2.34	33.20	2.37	33.04	2.39	32.87	2.40	32.73	2.41	32.05	2.43	
24 (50%)	-4	-4.4	10.49	1.08	9.73	1.13	9.66	1.13	9.55	1.14	9.46	1.14	9.04	1.19
	0	-0.4	12.38	1.15	11.65	1.20	11.47	1.21	11.31	1.22	11.17	1.23	10.70	1.27
	5	4.5	14.63	1.23	13.95	1.28	13.61	1.30	13.39	1.32	13.22	1.33	12.68	1.38
	10	9	16.13	1.31	15.48	1.36	15.05	1.39	14.79	1.41	14.58	1.42	14.01	1.47
	17	15	17.79	1.41	17.17	1.46	16.63	1.51	16.33	1.53	16.09	1.55	15.47	1.60
	20	19	18.79	1.48	18.19	1.53	17.59	1.58	17.26	1.61	17.00	1.63	16.35	1.68
	25	23	20.47	1.60	19.87	1.65	19.17	1.71	18.81	1.75	18.52	1.77	17.82	1.82
	30	28	22.17	1.73	21.48	1.78	20.75	1.84	20.37	1.88	20.06	1.91	19.32	1.96
	35	32	23.87	1.85	23.11	1.92	22.32	1.97	21.92	2.01	21.60	2.05	20.82	2.10
	40	36	25.08	1.91	24.38	1.97	23.60	2.03	23.19	2.07	22.86	2.10	22.04	2.16
	45	41	26.60	1.97	25.97	2.04	25.20	2.10	24.78	2.14	24.45	2.17	23.56	2.24
	47	43	27.21	2.00	26.60	2.07	25.84	2.13	25.42	2.17	25.08	2.20	24.17	2.27
	50	46	27.29	1.99	26.74	2.05	26.08	2.11	25.70	2.14	25.40	2.16	24.54	2.22
	55	51	27.42	1.97	26.97	2.02	26.47	2.06	26.17	2.09	25.92	2.11	25.16	2.15
	60	56	27.56	1.95	27.20	1.98	26.86	2.02	26.63	2.04	26.45	2.05	25.77	2.08
63	59	27.64	1.93	27.34	1.96	27.10	1.99	26.91	2.00	26.77	2.01	26.14	2.04	
68	64	27.72	1.92	27.47	1.95	27.34	1.97	27.20	1.97	27.08	1.98	26.52	1.99	

Notes :

- Capacities are based on the following conditions.  
 Piping Length : Main pipe(A+B, 5m(16.4ft)) + Branch pipe (L1+L2+L3+L4+L5+L6, 30m(98.4ft))=35m(115ft)  
 Level difference : 0ft
- TC : Total Capacity (kBtu/h)  
 PI : Power Input (kW)

Part 2 Product data Outdoor units

# MULTI ZONE

## 8. Capacity coefficient factor

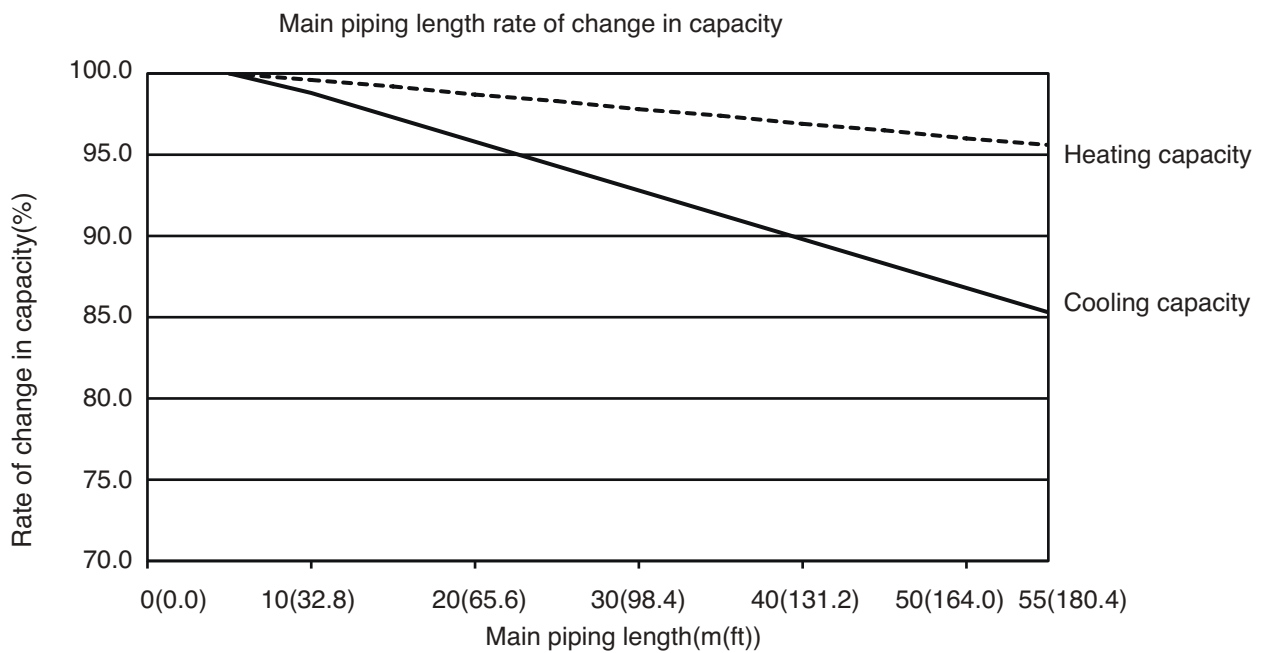
### 1) Rate of change in capacity due to the main piping length

#### Rate of change in cooling capacity

Main piping length(m(ft))	5(16.4)	10(32.8)	15(49.2)	20(65.6)	25(82.0)	30(98.4)	35(114.8)	40(131.2)	45(147.6)	50(164.0)	55(180.4)
Rate of change in cooling capacity(%)	100.0	98.8	97.3	95.8	94.3	92.8	91.3	89.8	88.3	86.8	85.3

#### Rate of change in heating capacity

Main piping length(m(ft))	5(16.4)	10(32.8)	15(49.2)	20(65.6)	25(82.0)	30(98.4)	35(114.8)	40(131.2)	45(147.6)	50(164.0)	55(180.4)
Rate of change in heating capacity(%)	100.0	99.6	99.2	98.7	98.3	97.8	97.4	96.9	96.5	96.0	95.6



## 8. Capacity coefficient factor

### 2) Rate of change in capacity due to the branch piping length

#### 9 kBtu/h models

Piping length(m(ft))	Rate of change in capacity	
	Cooling(%)	Heating(%)
5(16.4)	100.0	100.0
10(32.8)	97.5	98.8
15(49.2)	95.0	97.5

#### 18 kBtu/h models

Piping length(m(ft))	Rate of change in capacity	
	Cooling(%)	Heating(%)
5(16.4)	100.0	100.0
10(32.8)	98.3	99.5
15(49.2)	96.5	99.0

#### 12 kBtu/h models

Piping length(m(ft))	Rate of change in capacity	
	Cooling(%)	Heating(%)
5(16.4)	100.0	100.0
10(32.8)	97.0	98.3
15(49.2)	94.0	96.5

### 3) Calculation of actual system capacity

① Outdoor unit rated capacity

$$Q_{odu(rated)} \text{ [from specification table]}$$

② Outdoor unit capacity at  $T_i$ ,  $T_o$  temperature.

$$Q_{odu(T_i, T_o)} \text{ [from capacity table]}$$

③ Outdoor unit capacity coefficient factor

$$F_{(T_i, T_o)} = Q_{odu(T_i, T_o)} / Q_{odu(rated)}$$

④ Piping correction factor [from capacity coefficient factor table]

$$F_{main (length)} \text{ for main piping length}$$

$$F_{branch (length)} \text{ for branch piping length}$$

⑤ Individual indoor unit combinational capacity

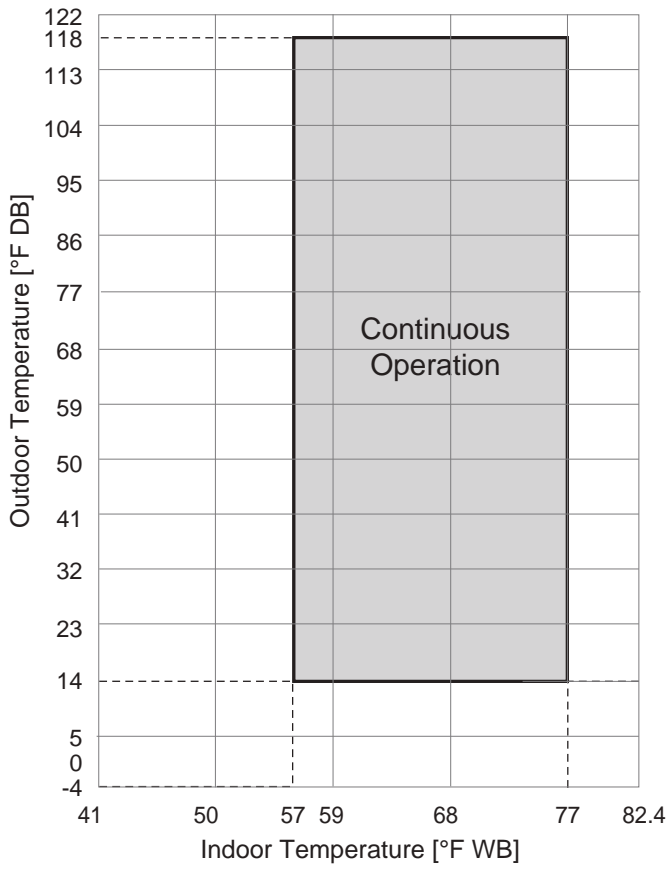
$$Q_{idu (combi)} = Q_{odu(rated)} \times Q_{idu(rated)} / Q_{idu(rated-total)}$$

⑥ Individual indoor unit actual capacity

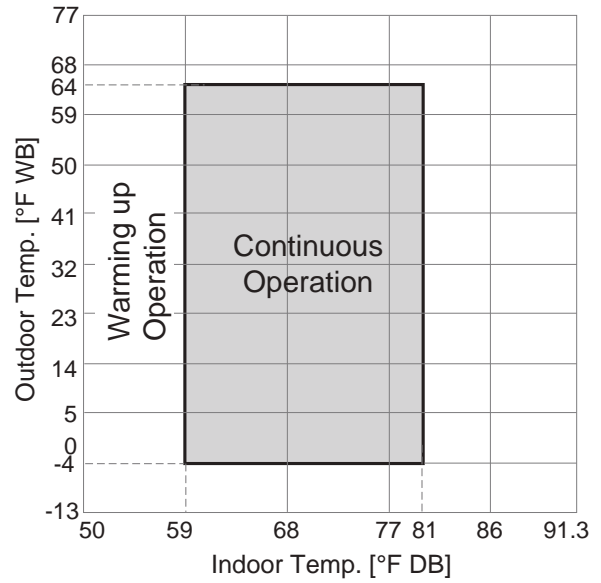
$$Q_{idu (actual)} = Q_{odu(combi)} \times F_{(T_i, T_o)} \times F_{main (length)} \times F_{branch (length)}$$

# 9. Operation range

### Cooling



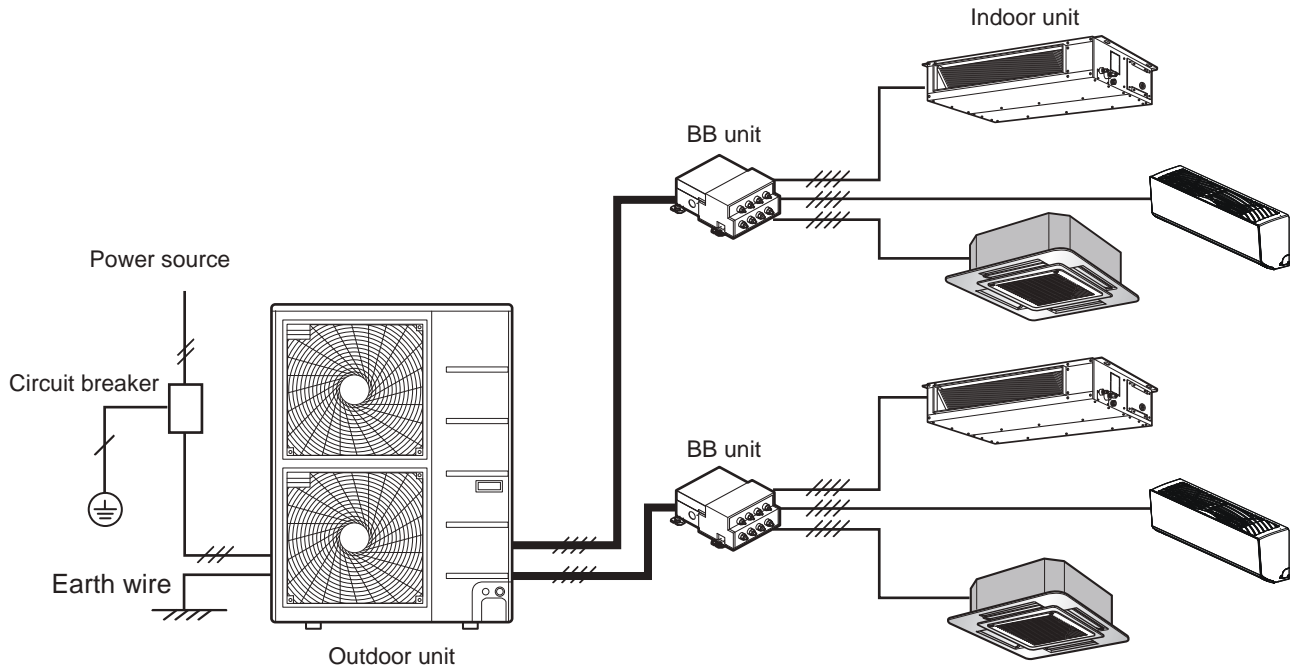
### Heating



## 10. Electrical characteristics

### External wiring procedure

- The power supply work is needed only to the outdoor unit. The power supply to the BB unit and the indoor unit is conducted through the communication wiring. Therefore, the power supply work can be carried out at just one place of the outdoor unit. It will simplify the work procedure and save cost.
- Wiring cable size must comply with the applicable local and national codes.



# MULTI ZONE

## 10. Electrical characteristics

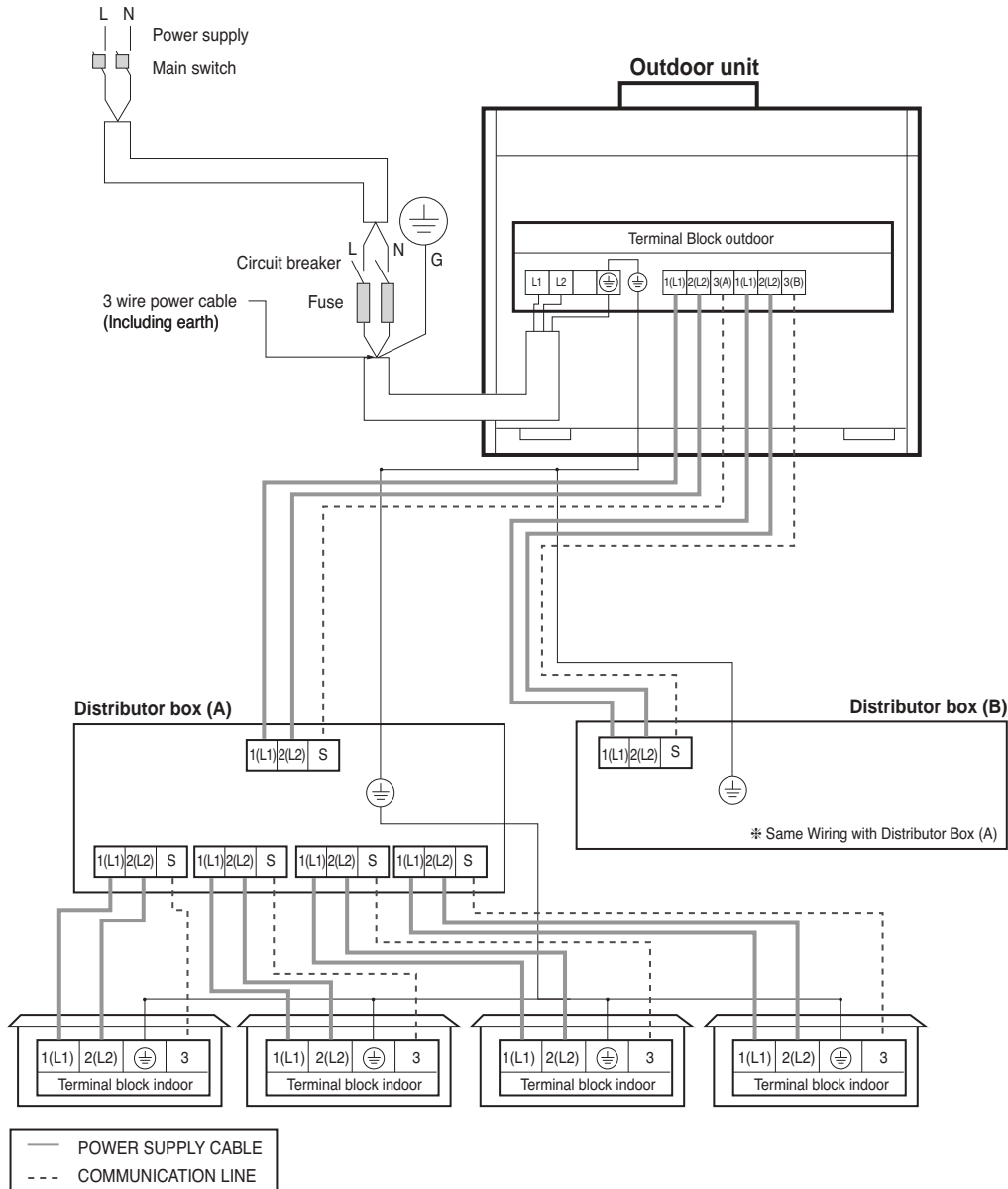
Outdoor Unit Model names	Unit			Power Supply		COMP		OFM		IFM*	
	Hz	Volts	Voltage range	MCA	MOP	MSC	RLA	kW	FLA	kW	FLA
MR48DEY3JM	60	208/230	Min:187 Max:253	27.3	40	-	17.5	0.12x2	0.73x2	-	4.0

### Notes :

- Voltage range  
Voltage supplied to the unit terminals should be within the minimum and maximum range.
- Maximum allowable voltage unbalance between phase is 2%.
- RLA is based on following conditions : Cooling operation at indoor temp. 26.7°C (80°F) DB / 19.4°C (67°F) / outdoor temp. 35°C (95°F) DB.
- FLA is measured as running current of fan motor(s) at rated test condition.
- Select wire spec. based on the larger value of MCA. The MCA could be substituted for the maximum running current.
- In accordance with EN/IEC 61000-3-12, it may be necessary to consult the distribution network operator to ensure that the equipment is connected only to a supply with Ssc ≥ minimum Ssc value. (Refer the installation manual)
- MSC means the Max. current during the starting of compressor.
- Recommended circuit breaker is ELCB (Earth Leakage Circuit Breaker).
- MOP is used to select the circuit breaker and ground fault circuit interrupter (earth leakage circuit breaker)
- \* IFM (FLA value) is based on the max combination indoor units.  
The max combination for each ODU is:  
- 48k ODU : 12k IDU x 5EA

MCA : Minimum Circuit Amperes (A)  
 MSC : Maximum Starting Current(A)  
 RLA : Rated Load Amperes (A)  
 OFM : Outdoor Fan Motor  
 IFM : Indoor Fan Motor  
 kW : Fan Motor rated output (kW)  
 FLA : Full Load Amperes (A)  
 MOP : Maximum rating of Overcurrent Protective device

# 11. Field wiring diagram



**Notes:**

1. All wiring, component and materials to be procured on the site should be according to the standard
2. Use copper conductor only
3. Install circuit breaker for safety
4. Unit should be grounded in compliance with the applicable local and national codes
5. Wiring cable size must comply with the applicable local and national code.

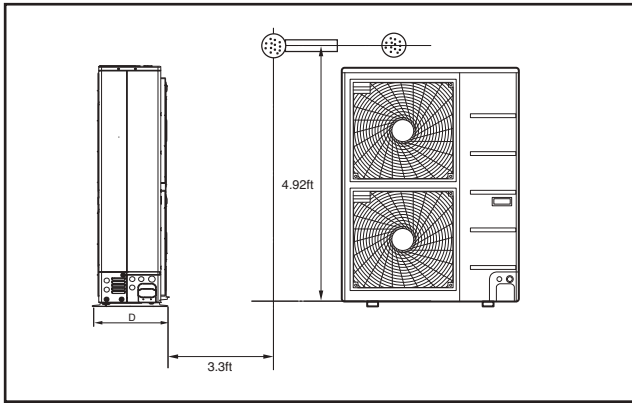
**⚠ WARNING**

- Indoor Unit ground lines are required for preventing electrical shock accident during current leakage, communication disorder by noise effect and motor current leakage (Do not connect the ground line to pipe).
- Do not install an individual switch or electrical outlet to disconnect each indoor unit separately from the power supply.
- Install a main switch that can interrupt all power sources in an integrated manner because this system consists of equipment utilizing multiple power sources.
- If the possibility exists of reversed phase, lose phase, momentary blackout or the power goes on and off while the product is operating, attach a local reversed phase protection circuit.
- Running the product in reversed phase may break the compressor and other parts.

# MULTI ZONE

## 12. Sound levels

### Overall



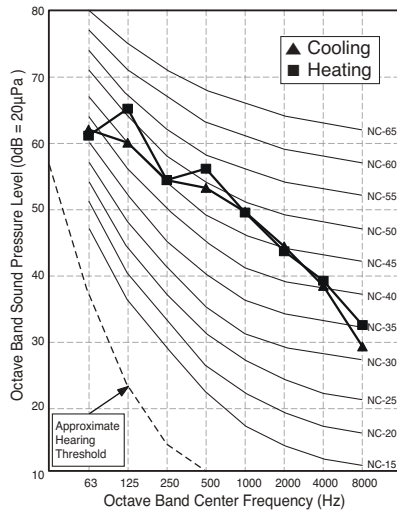
#### Notes:

- Sound measured at 3.3ft away from the units.
- Data is valid at free field condition
- Data is valid at nominal operation condition
- Reference acoustic pressure 0dB = 20μPa
- Sound level will vary depending on a range of factors such as the construction(acoustic absorption coefficient) of particular room in which the equipment is installed.
- The operating conditions are assumed to be standard.

Model	Sound Pressure Level [dB(A)]	
	Cooling	Heating
MR48DEY3JM	54	56

### Sound pressure level

MR48DEY3JM



# MULTI ZONE

## **BB (Branch Box) unit**

- 1. Specifications**
- 2. Dimensions**
- 3. Piping Diagrams**
- 4. Wiring Diagrams**

# MULTI ZONE

## 1. Specifications

Model Names			D4PBB
Connectable indoor units	Maximum Number of indoor units	-	4
	Maximum Capacity per port (* Total indoor units Capacity < 73)	kBtu/h	24
Power Supply		V, Ø, Hz	208/230, 1, 60
Power Input		W	32
Running current		A	0.16
Dimension	W x H x D	mm	434 x 163 x 272
	W x H x D	inch	17-3/32 x 6-13/32 x 10-23/32
Net weight		kg (lbs)	7.1 (15.7)
Power and Communication Cable (Included Earth)	To indoor units	No. x mm <sup>2</sup> (AWG)	4C x 0.75 (18)
	To outdoor unit	No. x mm <sup>2</sup> (AWG)	4C x 1.25 (16)
Piping connection (To outdoor unit)	Liquid	mm(inch)	Ø 9.52(3/8)
	Gas	mm(inch)	Ø 19.05(3/4)
Piping connection (to indoor unit)	Liquid	mm(inch) x No.	Ø 6.35(1/4) x 4
	Gas	mm(inch) x No.	Ø 9.52(3/8) x 4
Accessories	Hanger (Bracket)	EA	4
	Screw	EA	8
	Manual	EA	1
	Socket	EA	-
Operation temperature range		°FDB	0~122

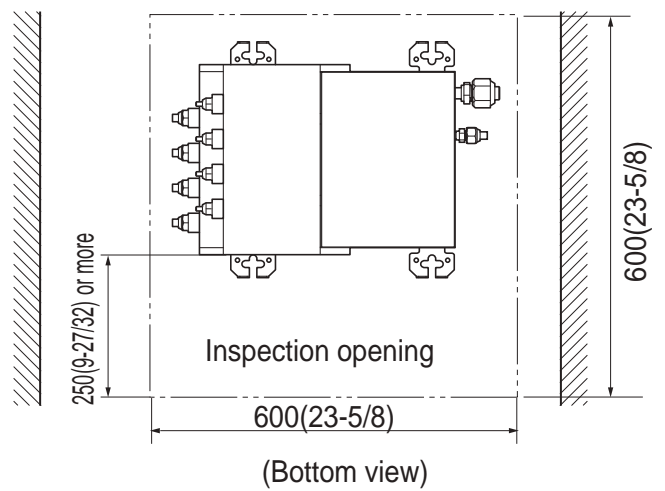
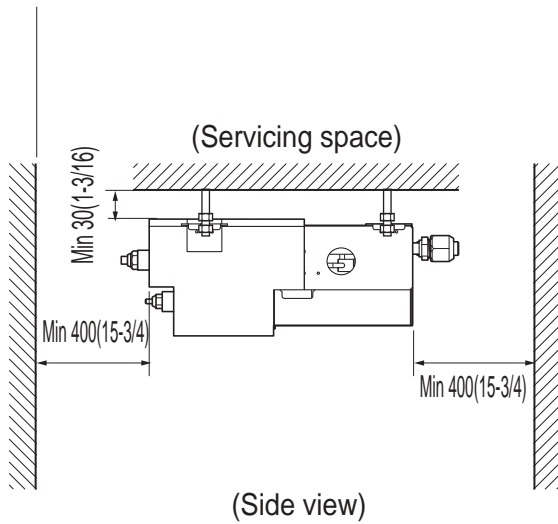
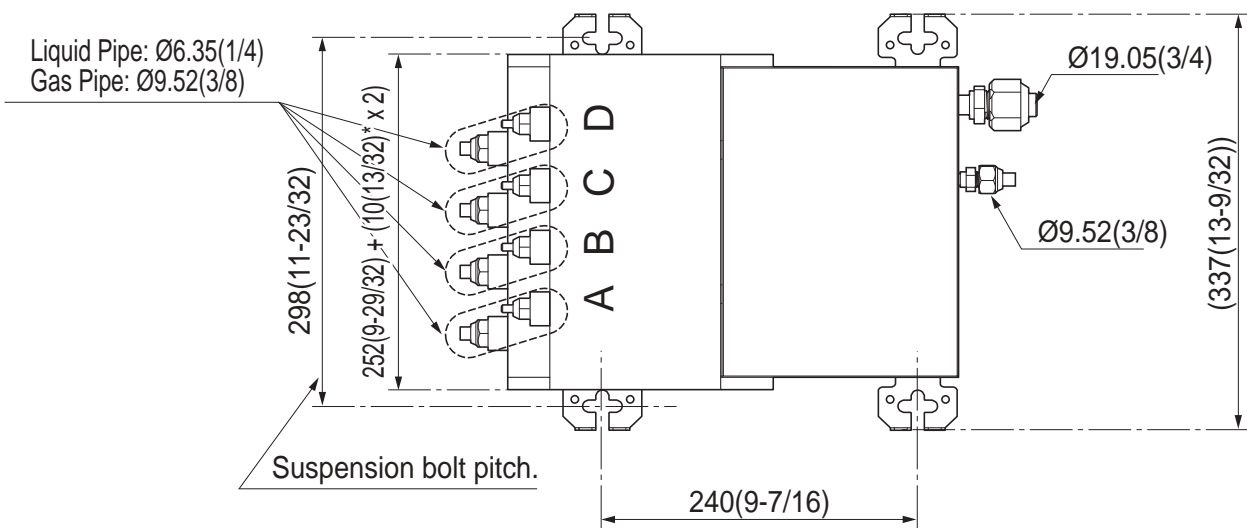
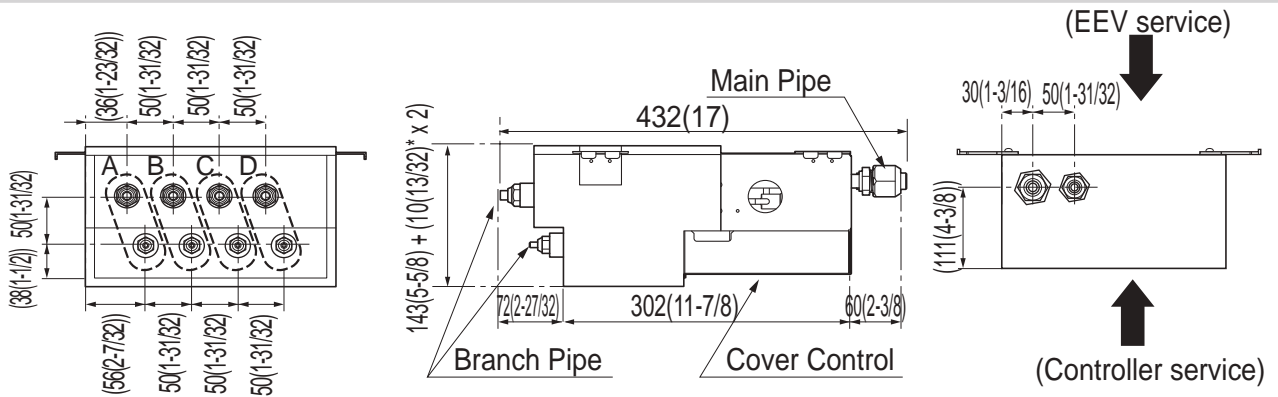
### Note :

- Maximum height difference between BB unit and Indoor Units is 10m(32.8ft).  
Maximum piping length between BB unit and Indoor Units is 15m(49.2ft).
- The piping connection must be suit the piping sizes of the indoor unit which will be connected.  
(If need, use the connector which is included in the indoor unit)
- The BB unit should be installed inside the building.
- Wiring cable size must comply with the applicable local and national code.
- BB unit can accommodate from 1 IDU up to 4 IDU depending on the ports available on the BB unit.

# MULTI ZONE

## 2. Dimensions

Models : D4PB



[Unit:mm(inch)]

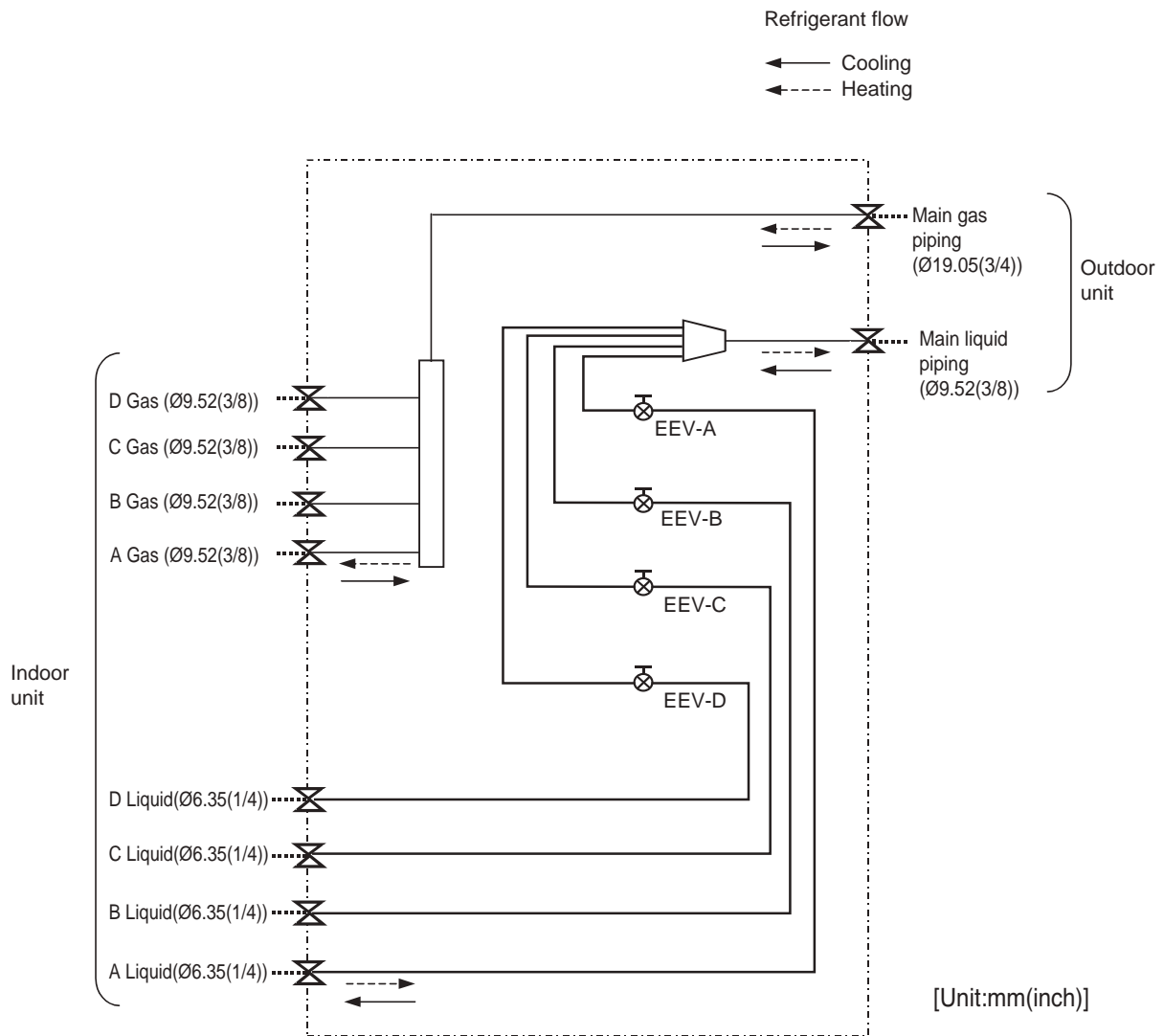
### Notes

1. \* : thickness of insulation

# MULTI ZONE

## 3. Piping Diagrams

Models : D4PBB



### Notes;

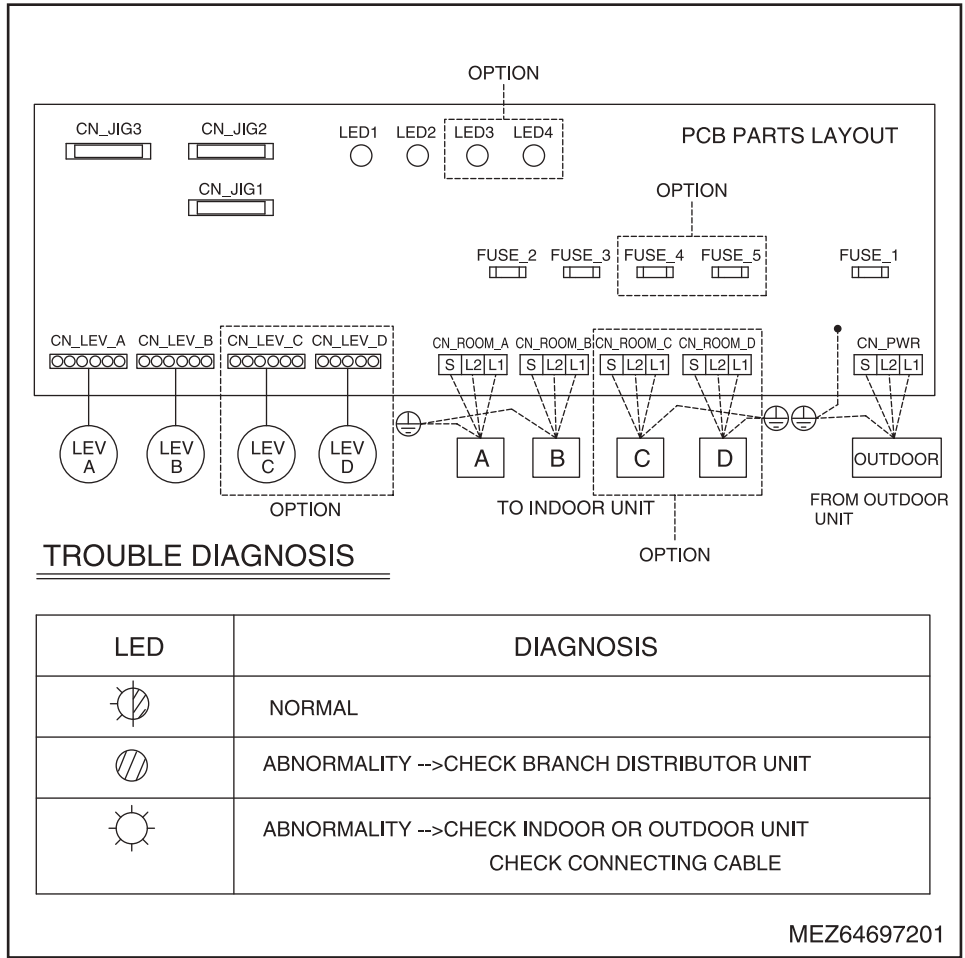
1. Flare connection for the field piping connection
2. Adjust to indoor unit and outdoor unit piping size. Use the connector if the pipe size is not matched when connecting indoor unit.
3. EEV : Electronic Expansion Valve

# MULTI ZONE

## 4. Wiring Diagrams

Models : D4PBB

Part 2 Product data\_ Outdoor units



# MULTI ZONE

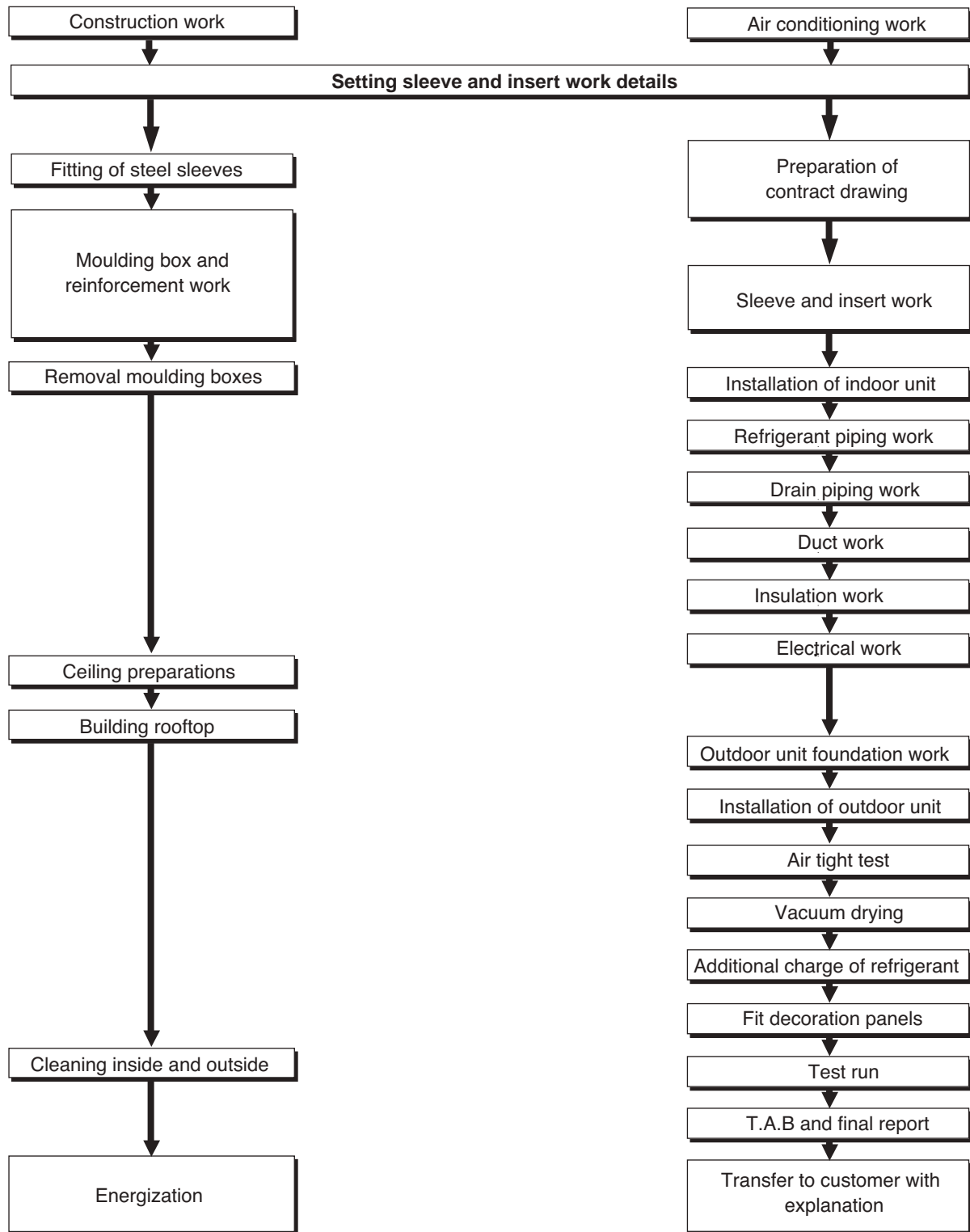
## **Part 3 Design and installation**

- 1. General installation guideline**
- 2. Guideline for each installation process**
- 3. Installation of outdoor unit**

# 1. General installation guideline

## 1.1 Installation process & Guideline

Striking a balance between system installation & General construction work.



1. The division of the work should be thoroughly clarified.
2. keep a constant check on the progress of the construction work to avoid deviations from the air conditioning work schedule.

# 1. General installation guideline

## 1.2 Checking the drawing

Installation procedure	Remarks
Determination of work scope	..... Check and confirm required loads calculation, model selection, drawings etc.
Preparation of contract drawings	..... Make a relationship between outdoor ,indoor controller and option connection clear. (prepare control circuit diagram)
Sleeve and insert works	..... Determine sleeve position, size and counts as required
Installation of indoor units	..... Check model name to make sure the fitting is made correctly
Refrigerant piping works	..... Special attention to dryness , cleanness and tightness
Drain pipe works	..... Make sure that the drain pipe diameter is big enough and adjust it to downward gradient
Duct works	..... Make sure airflow is sufficient
Insulation works	..... Make sure no gap is left where the insulating materials are joined
Electrical work	..... Multiple core cable must not be used (suitable cable should be selected)
Outdoor unit foundation works	..... The foundation must be vibration proof and in level
Installation of outdoor units	..... Avoid airflow short circuit and ensure sufficient space is allowed for servicing
Air tight test	..... For 24 hours at 3.8MPa(551.1psi_R410A) or 2.8MPa (406.1psi_R22) there must be no drop in pressure
Vacuum drying	..... Less than 5 Torr (At least more than 1hr)
Additional charge of refrigerant	..... Charge the refrigerant accurately by using a charging cylinder
Fit decoration panels	..... Make sure there are no gaps left between facing materials used on the ceiling
Test run	..... Follow the testing operation check sheet
Transfer to customer with explanation	..... Explain to customer or operator the manual etc

Part 3 Design and installation

## 2. Guideline for each installation process

---

### 2.1 Sleeve and insert work

#### 2.1.1 Positioning of the pipe holes

- 1) The through holes for the drain piping should be positioned such that pipes have a downward gradient (the gradient must be at least 1/100. The thickness of the insulating materials must also be taken into consideration.)
- 2) The diameter of the through holes for the refrigerant piping should include an allowance for the thickness of the heat insulation materials.
- 3) Attention should be paid to the construction of the beam themselves since there are sometimes parts of the beam which cannot be used to accommodate through holes.

#### 2.1.2 Selection of sleeve

Sleeve work should be performed to make a space for passing pipe through the wall or ground under construction.

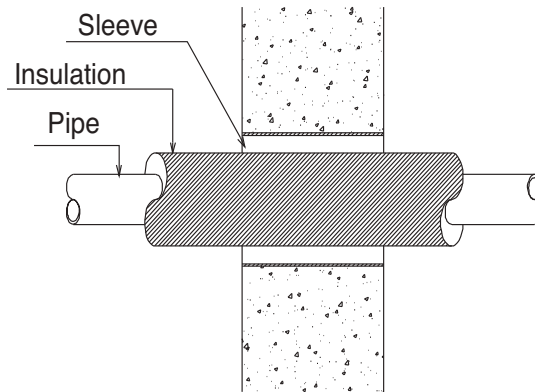
For example if gas pipe and liquid pipe is 1/2inch, 1/4inch the sleeve diameter is minimum 3.1 inch

Gas pipe diameter	1/2"
Liquid pipe diameter	1/4"
Insulation thickness(gas pipe)	0.4" x 2
Insulation thickness(liquid pipe)	0.4" x 2
0.8inch surplus	0.8"
Total sleeve diameter	3.1"

\* Assumption : Gas pipe insulation thickness and liquid pipe insulation thickness is 0.4 inch and 0.4 inch respectively

## 2. Guideline for each installation process

### 2.1.3 Sleeve type



#### NOTE

Sleeve type should be considered as per local regulation & laws.

#### CAUTION

1. In high voltage generation places, water-proof flexible conduit should be used. (in substation room, in elevator room)
2. Conduit should be chosen in accordance with electrical installation regulation.

#### NOTE

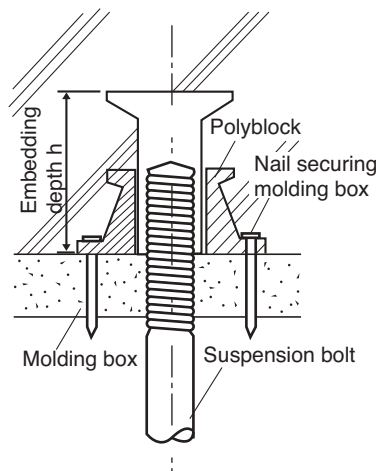
Cable conduit should be considered under the local regulation & laws.

### 2.1.4 Insert work and support work

An insert is a metal tool which is inserted into a floor or beam before the concrete is set such that fittings such as duct, pipes or suspension bolts for hanging units can be fitted into the place later. The positioning of the inserts must be determined prior to support installation.

- 1) Insert work

**Example :** Through holes in a reinforced concrete beam

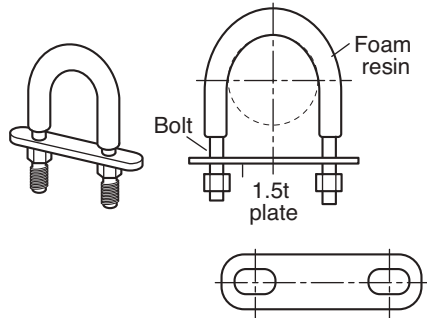


# MULTI ZONE

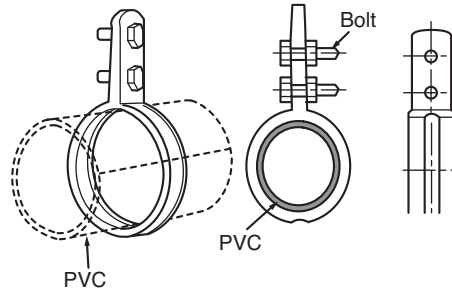
## 2. Guideline for each installation process

### 2) Support work.

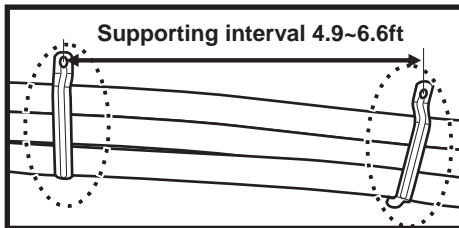
#### ■ Insulated U-bolt type supporting



#### ■ Insulated O-ring band type supporting



#### ■ Saddle supporting

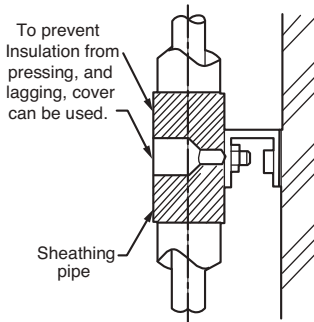


### ⚠ CAUTION

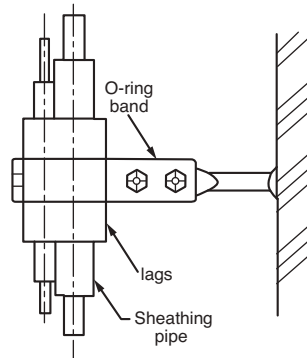
During saddle supporting work, insulation should not be pressed by saddle as this can lead to tearing of insulation and thus falling of condensed water during product operation.

### a) Supporting with insulated pipe

#### ① U-bolt supporting

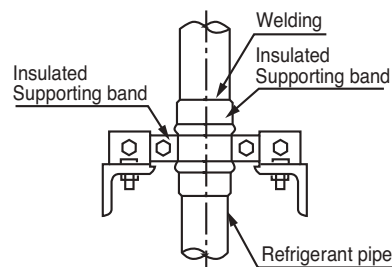
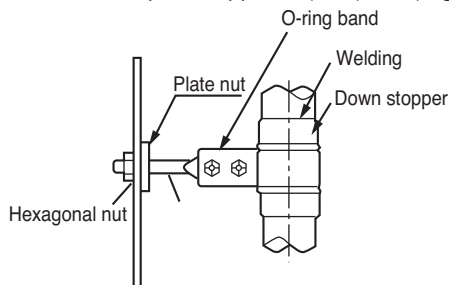


#### ② O-ring band supporting



### B) Down stopper supporting

One point supporter (200(440.9) kg(lbs))



# MULTI ZONE

## 2. Guideline for each installation process

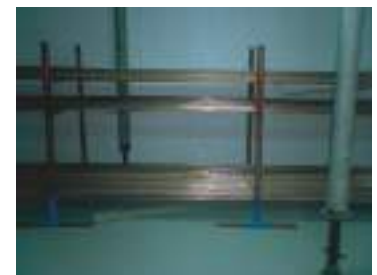
### 2.2 Refrigerant piping work

#### 2.2.1 Principles of refrigerant piping

The “ principles of refrigerant piping “ must be strictly observed.

	Cause of problem	Action to avoid problem
Dry	-Rainwater, work water, etc gets into pipes from outside -Moisture generated inside pipe due to condensation	Flushing → Pipe covering → Vacuum drying
Clean	-Formation of oxides inside pipes during soldering -Dirt,dust or other extraneous material gets into pipes from outside	Replace Nitrogen → Pipe covering Flushing → Pipe covering
Air tight	-Leak from soldered area -Leak from flared area -Leak from flange area	Use the proper materials Adhere strictly to standard soldering work practice. Adhere strictly to standard flaring work practice. Adhere strictly to standard flaring connection work practice.

- The end of all copper pipes should be capped to protect them from dust or water particles while safe keeping



The 3 principles of refrigerant piping work

Dry	Clean	Air tight
Make sure there is no moisture inside the pipes	Make sure there is no dirt inside the pipes	Make sure the refrigerant does not leak out.

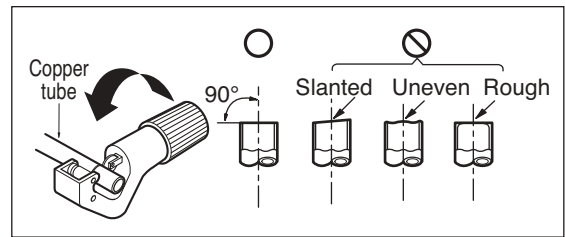
## 2. Guideline for each installation process

### 2.2.2 Flaring work

Main cause for gas leakage is due to defect in flaring work. Carry out correct flaring work in the following procedure.

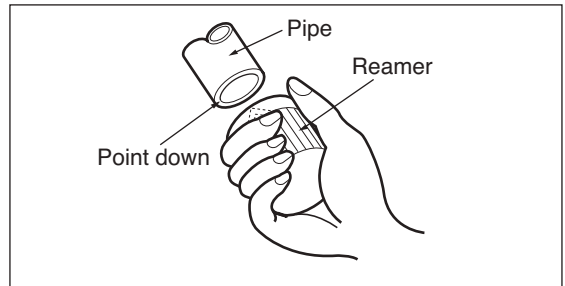
#### 1) Cut the pipes and the cable.

- ① Use the piping kit accessory or the pipes purchased locally.
- ② Measure the distance between the indoor and the outdoor unit.
- ③ Cut the pipes a little longer than measured distance.
- ④ Cut the cable 4.9ft longer than the pipe length.



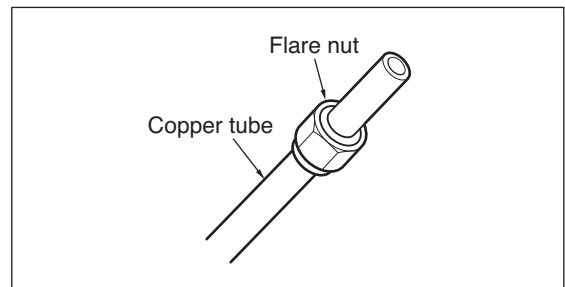
#### 2) Burrs removal

- ① Completely remove all burrs from the cut cross section of pipe/tube.
- ② Put the end of the copper tube/pipe in a downward direction as you remove burrs in order to avoid dropping of burrs into the tubing.



#### 3) Putting nut on

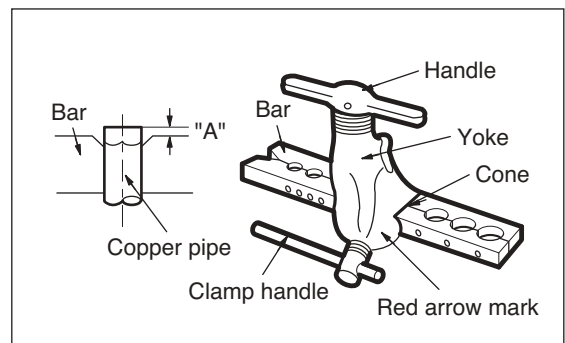
- ① Remove flare nuts attached to indoor and outdoor unit, then put them on pipe/tube having completed burr removal.(not possible to put them on after flaring work)



#### 4) Flaring work

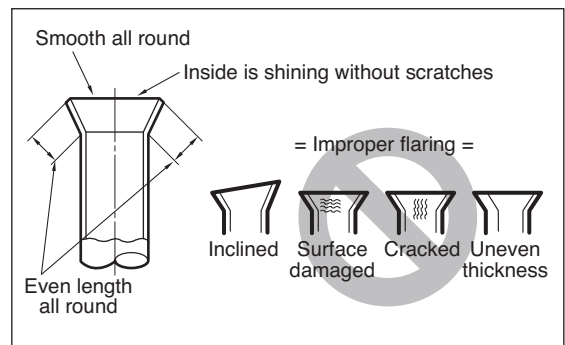
- ① Carry out flaring work using flaring tool as shown below.
- ② Firmly hold copper pipe in a die in the dimension shown in the table below.

Outer diameter		A
mm	inch	mm(inch)
Ø6.35	1/4	1.1~1.3(0.043~0.051)
Ø9.52	3/8	1.5~1.7(0.059~0.067)
Ø12.7	1/2	1.6~1.8(0.063~0.071)



#### 5) Check after flaring

- ① Compare the flared work with figure on right side.
- ② If flare is found to be defective, cut off the flared section and do flaring work again.



## 2. Guideline for each installation process

**NOTE** **Choice of material for refrigerant piping**  
**Copper pipe selection**

- a. The wall thickness of the refrigerant piping should comply with relevant local and national regulation for R410A the design pressure is 3.8MPa(551.1psi)
- b. If not, we recommend to use with phosphorus deoxidized copper type
- c. Generally used copper pipe specifications as follows;

Unit : mm(inch)

Size(ø)inch	Thickness	
	R22	R410A
1/4	0.7(0.028)	0.8(0.031)
3/8	0.8(0.031)	0.8(0.031)
1/2	0.8(0.031)	0.8(0.031)
5/8	0.8(0.031)	1.0(0.039)
3/4	0.8(0.031)	1.0(0.039)

\* Never use the pipe which is mixed scrap or a pipe used somewhere else  
 The method how to distinguish the pipe mixed scarp : check the oxidization evidence after leaving the pipe for 24hour.

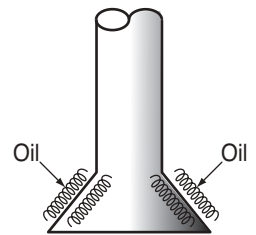
**CAUTION**

**Flare connection and procedure**

- 1. Stiffened pipe must always be annealed at least once prior to the flaring work.
- 2. A pipe cutter must be used to cut the pipe. (A large pipe cutter must be used where the pipe has a large diameter. When cutting a pipe which is too big for the pipe cutter a metal saw may be used but care must be taken to ensure that the debris from sawing does not get into the pipe.)



- 3. Set the flaring tool to make sure the flare size remains within the prescribed limits.
- 4. Coat the inner and outer surface of the flare with refrigerator oil (Ester or ether oil). (this ensures that the flare nut passes smoothly, preventing the pipe from twisting.)  
 Do not use SUNISO-4GS oil.



External diameter of pipe D		Pipe widening dimension A(in)
(in)	(mm)	
1/4	6.35	0.34~0.35
3/8	9.52	0.50~0.51
1/2	12.7	0.62~0.63
5/8	15.88	0.74~0.76
3/4	19.05	0.90~0.91

**CAUTION**

- 1. Burrs should be carefully removed.
- 2. 2 spanners should be used to grip the pipe.
- 3. The flare nut must be inserted before starting the flaring operation.
- 4. The appropriate amount of torque should be used to tighten the flare nut.
- 5. Check that there is no superficial damage to the surface of the flare.

## 2. Guideline for each installation process

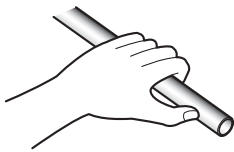
**NOTE**

### Flange connection and procedure

1) Cut the pipe using a pipe cutter.



2) The cut edge has burrs.  
(the amount of burrs becomes larger when pipe wall is thick)



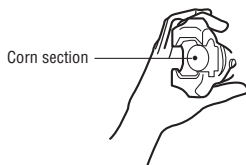
3) Remove the burrs using a reamer  
(Be careful not to let particles enter the pipe. Point the pipe end downward during cutting)



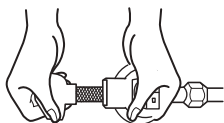
4) Clean the inside of the pipe  
(use a thin stick with a cloth wrapped around it)



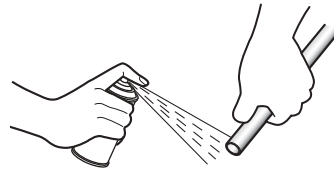
5) Before flaring, clean the cone section of the flaring tool.



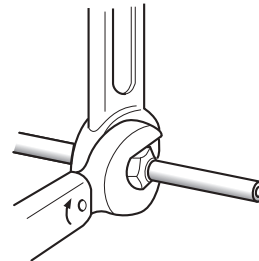
6) Flare the pipe.  
Rotate the flaring tool 3 or 4 turns after a clicking sound is produced. this results in a clean flared surface



7) Apply refrigerant oil on the inside and outside of the flared section.  
(Do not apply SUNISO oil)  
(Be careful to keep dust away)

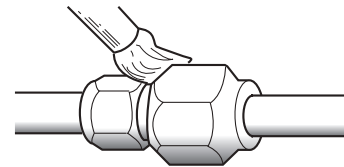


8) Tighten the flare nut. (Use a torque wrench to apply the proper tightening force)



9)

- Check for gas leaks.  
(Check at the threaded section of the flare nut for gas leak)
- Spay -type gas leak detecting products are available on the market.
- Soap water may be used to check for leaks, but use only neutral soap to prevent corrosion of the flare nut.
- Be sure to wipe the nut area clean after the gas leak check.



## MULTI ZONE

# 2. Guideline for each installation process

### 2.2.3 Pipe connection flaring

#### NOTE

1. After installation completion make sure to open the valve. operating the unit with the valve shut off will destroy the compressor (Refer to the additional refrigerant charge detail information)
2. Use R410A to add refrigerant. All field piping must be installed by a licensed refrigeration technician
3. Must comply with local and national standard regulations.

#### 1) Connecting the piping to the indoor unit and drain hose to drain pipe

- ① Align the center of the piping and sufficiently tighten the flare nut by hand.
- ② Tighten the flare nut with a wrench. Wrap the insulation material around the connecting portion.

#### 2) Wrap the insulation material around the connecting portion.

- ① Overlap the connection pipe insulation material and the indoor unit pipe insulation material. Bind them together with vinyl tape so that there is no gap.
- ② Wrap the area which accommodates the rear piping housing section with vinyl tape.
- ③ When the piping is passed through a tray, duct work or a sleeve the insulation wrapping on the pipe is not required.

#### 3) Close up a socket out of use with a brass cap.

- ① Align the center of the piping and sufficiently tighten the brass cap by hand.
- ② Tighten the brass cap with a wrench.
- ③ Wrap the area contacted with insulation.

#### CAUTION

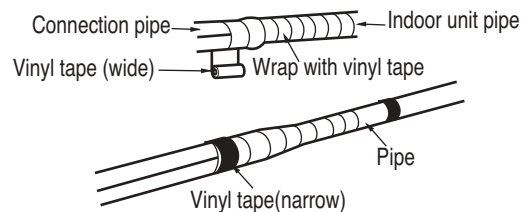
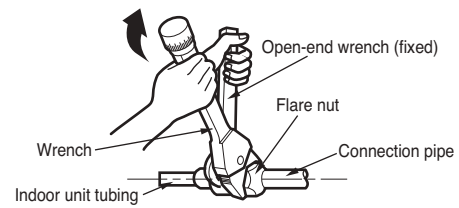
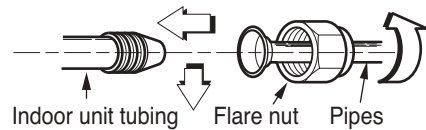
Over tightening of the flare nuts in the pipes may cause nuts to crack or the refrigerant to leak.

#### CAUTION

Improper piping and flaring can lead to the leakage of refrigerant

#### NOTE

For flaring work of the piping, follow the instructions in the installation manual to each unit.



#### CAUTION

Never use the plastic cap during closing.

# MULTI ZONE

## 2. Guideline for each installation process

### 2.2.4 Brazing work

#### CAUTION

#### Brazing of refrigerant piping :

The following precaution should be taken.

1. Do not use flux when brazing copper to copper refrigerant piping.

(Particularly for the HFC refrigerant piping)

Therefore, use the phosphor copper brazing filler metal (BCuP) which does not require flux.

(Flux has extremely harmful influence on refrigerant piping systems. For instance, if the chlorine based flux is used, it will cause pipe corrosion or, in particular, if the flux contains fluorine, it will damage the refrigerant oil.)

If brazing work is carried out without passing nitrogen gas through the pipes then it allows the formation of oxidation bubbles on the inside surface of the pipes.

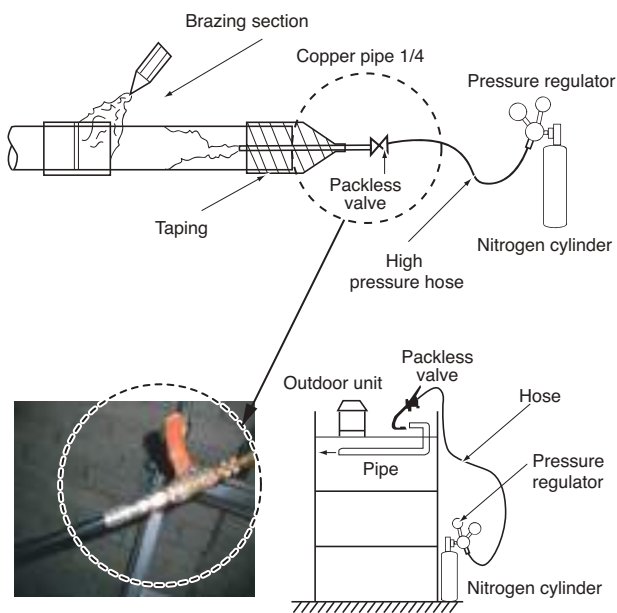
These oxidation bubbles are then carried along inside the pipes to cause damage to various members of the system such as valve or compressors and the system ceases to function properly.

In order to avoid this problem nitrogen is passed through the pipe while the soldering work is being carried out.

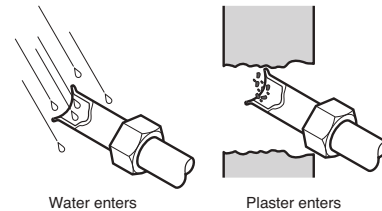
This operation work is known as nitrogen replacement. (Air is replaced by nitrogen)

This is standard work during all brazing works.

#### 1) Nitrogen flushing method (During brazing)



#### CAUTION



Make sure to keep the connecting piping dry (away from water), clean (away from dust), and air tight (avoid refrigerant leakage)

#### CAUTION

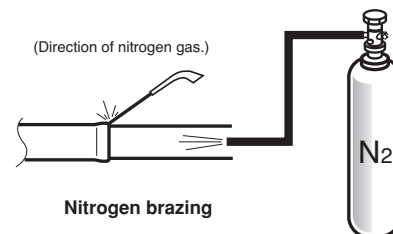
#### Pipe bending

Annealed copper pipe with small diameter ( $\varnothing 1/4''$  or  $\varnothing 3/8''$ ) can be easily bent manually. In this case, secure large R (radius) for the bend section and gradually bend pipe. If annealed copper pipe is large in diameter ( $\varnothing 5/8''$  or over), bend pipe with bender. Use bender appropriate for the pipe diameter.

#### CAUTION

#### Nitrogen brazing

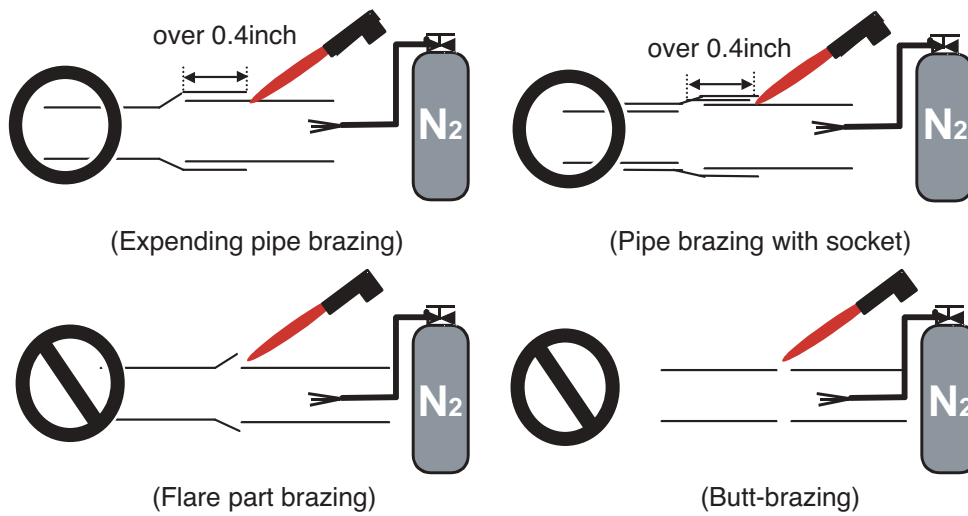
- a. This procedure is designed to prevent formation of oxidation film by filling piping with inert gas. Note that excessive gas pressure will generate pinholes at brazed points. (Nitrogen gas: Supply pressure  $0.05\sim 0.1\text{kg/cm}^2\text{G}$  ( $0.71\sim 1.42\text{psi}$ ))
- b. When supplying inert gas, be sure to open one end of piping.



# MULTI ZONE

## 2. Guideline for each installation process

Brazing work should be carried out either downwards or sideways.  
An upward direction should be avoided wherever possible(to prevent leakage).



**Table 1: Correlation of nozzle tip and size of refrigeration piping**

[Unit:mm(inch)]

Piping size	Nozzle tip No.							Brazing filler diameter Ø		
	# 200	# 225	# 250	# 315	# 400	# 450	# 500	1.6(1/16)	2.4(3/32)	3.2(1/8)
Ø6.35(1/4)										
Ø9.52(3/8)										
Ø12.7(1/2)										
Ø15.9(5/8)										
Ø19.1(3/4)										
Ø22.2(7/8)										
Ø25.4(1)										
Ø31.8(1-1/4)										
Ø38.1(1-1/2)										
Ø44.5(1-25/32)										

### CAUTION

1. Generally expending pipe brazing is performed with pan-coil type copper pipe, and socket blazing is performed with straight copper pipe.
2. Do not perform flare part brazing or butt-brazing.
3. Brazing should be performed on welding table.
4. Any dust should enter in the pipe while brazing.
5. Distance of copper pipe support spacing is within 3.3~6.6ft.
6. The copper pipe should not be secured directly by metal brackets.

# MULTI ZONE

## 2. Guideline for each installation process

### 2.2.5 Refrigerant pipe flushing

Flushing is a method of cleaning extraneous matter out of pipes using pressurized gas.

#### NOTE

Refrigerant pipe flushing of 3 major effects

1. Removal of oxidation bubbles formed inside copper pipes when "nitrogen replacement is insufficient" during soldering work
2. Removal of extraneous material and moisture from pipes when covering has been insufficient
3. Checks connections in pipes linking outdoor and indoor units (Both liquid and gas pipes)

① Set pressure regulator on nitrogen cylinder.

② Connect the charge hose from pressure regulator to service port on the liquid pipe side of the outdoor unit before its connection to B/D unit or indoor unit.

③ Open the main valve on the nitrogen cylinder and set the pressure regulator to 0.5MPa(72.5psi)

④ Ensure that nitrogen is flowing through the pipe properly.

⑤ For flushing block the end of the pipe with wood insulation block.

⑥ When the pressure becomes great remove the block quickly.

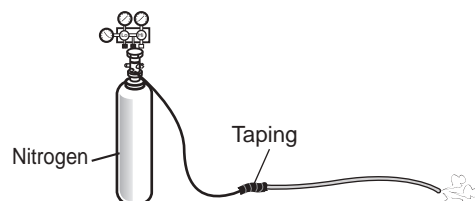
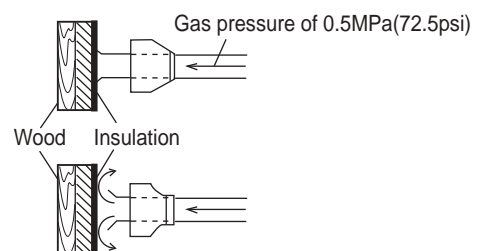
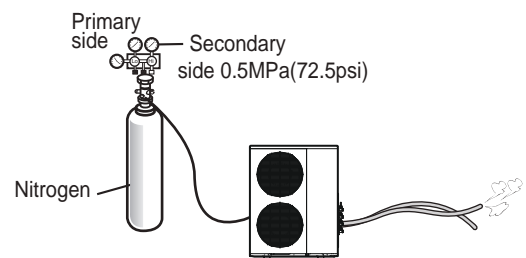
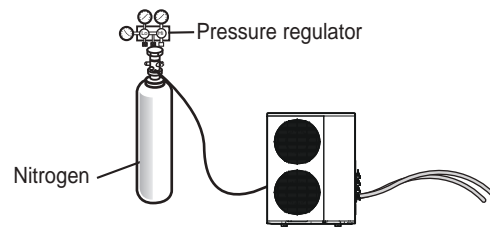
⑦ Do step 6 & 7 repeatedly till cleanness is ensured.

⑧ Connect the charge hose from pressure regulator to service port on the gas pipe side of outdoor unit before its connection to B/D unit or indoor unit.

⑨ Flow the steps 3, 4, 5, 6, 7.

⑩ In case of BB unit system, before connecting to indoor units, each pipe should be flushed individually.

⑪ Flow the steps 3, 4, 5, 6, 7.



#### CAUTION

After welding the pipe, nitrogen flushing is strongly recommended.

## 2. Guideline for each installation process

### 2.3 Drain piping work

The purpose of drain piping is to prevent damage of products and ceiling materials by proper draining of dew condensation which is generated from the evaporator of indoor unit when the hot vapors come in contact with the evaporator.

#### 1) Application

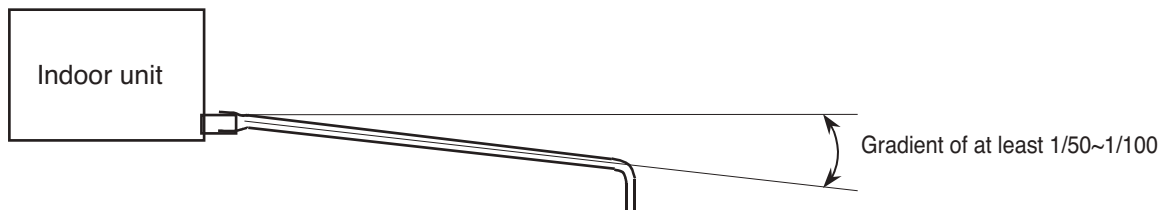
Pipes for draining water generated from indoor unit on cooling operation

#### Specification for drain piping

Type		Drain pipe diameter (External/ Internal)	Drain pump	Drain pump discharge head	Drain amount (at 0.033ft height)
					cm <sup>3</sup> /min (Gal/min)
Indoor	Ceiling cassette	Ø32/25 mm (Ø1-1/4 / 1 inch)	Standard	700mm (27 1/2 inch)	400 (0.105)
	Duct	Ø32/25 mm (Ø1-1/4 / 1 inch)	Standard	700mm (27 1/2 inch)	400 (0.105)
	Wall Mounted	Ø21.5/16 mm (Ø27/32 / 5/8 inch)	-	-	-

#### 2.3.1 Drain pipe slope and support

- Slope gradient for drain should be (1/50~1/100) and PVC pipes should be used.
- Support hanger should be at 3.3~4.9ft interval to prevent from loosening and dropping.
- Drain pipe insulation
  - : The inside temperature of drain pipe is about 50°F. When high temperature and humidity air touches the surface of pipe, dew condensation occurs. To prevent that, drain pipe keeps warm using insulation with polyethylene 0.4 inch thickness.



#### 1) Application

Refrigerant pipe length contracts and expands on heating and cooling repeatedly. So supporting work is needed not to hinder each copper pipe connection part.

## 2. Guideline for each installation process

### 2) Supporting distance for common drain pipe

[Table]The interval of the supporting hanger for drainage pipe

Pipe diameter (inch)	Ø0.8~1.6	Ø1.6~2.0	Ø2.6~4.9
Max. interval(ft)	Below 3.3	Below 3.9	Below 4.9

### 3) Anchor bolt supporting work

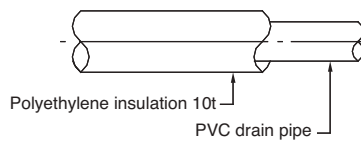
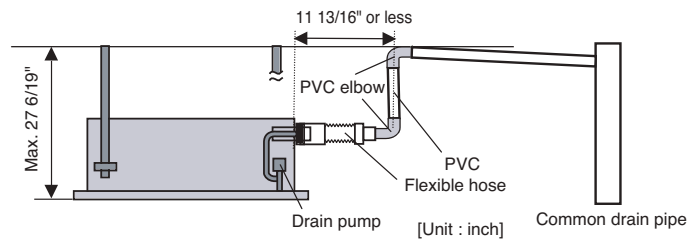
Anchor bolt supporting work should be used for supporting a heavy indoor unit to ceiling.

Clamp hanger supporting work is for hanging refrigerant pipe, drain pipe and cables.

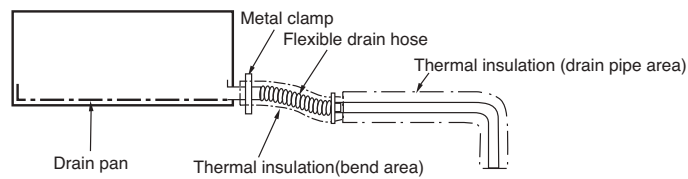
It can prevent vibrating noise from passing through pipe.

We recommend set anchor bolt for supporting indoor unit and strong anchor bolt for supporting pipes and cables

### 4) Models with drain pump



### 5) Models without drain pump



# MULTI ZONE

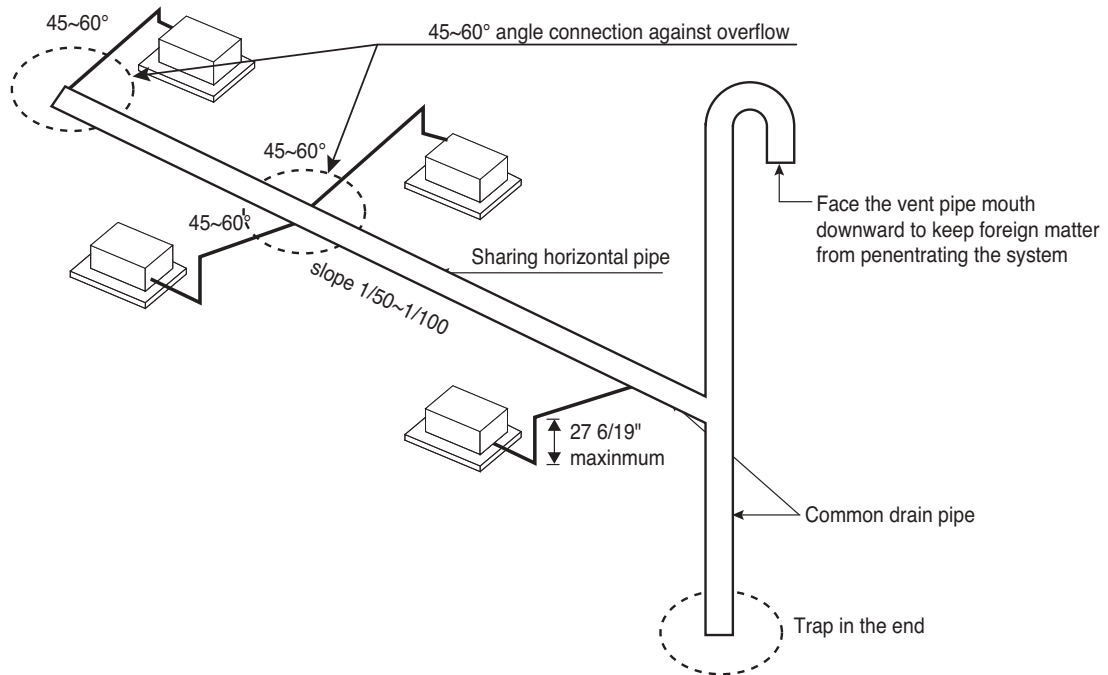
## 2. Guideline for each installation process

### 2.3.2 Grouped drain pipes

It is standard work practice to make connections to the main pipe from above.

The pipe down from the combination should be as large as possible.

The diameter of ventilation pipe should be same or larger than drain pipe diameter.



#### NOTE

1. Trap is required if the pipe is open towards sewage to prevent bad smell from coming to indoor.
2. Do not connect drain pipe with building common drain pipe in heavy snow area. It might block the pipe with ice and remaining collected water can get back to indoor unit. Provide separate air conditioner drain pipe.

#### Grouped drain piping standard

- For drain pipe diameter selection, refer to the following table.
- The drainpipe should be used for only air conditioners. If you share it for rainwater drain, you should be careful of a back flow, leakage, bad odor and so on.
- Use separate drain pipe for polluted water or wasted water

[Table] Drain pipe diameter selection standard

(Unit : inch)

Sum of the capacity of indoor units (Btu/h.Class)	~80,000	~200,000	~400,000	~600,000
Internal diameter (External)	0.98(1.26)	1.25(1.57)	1.57(1.97)	1.97(2.36)

#### NOTE

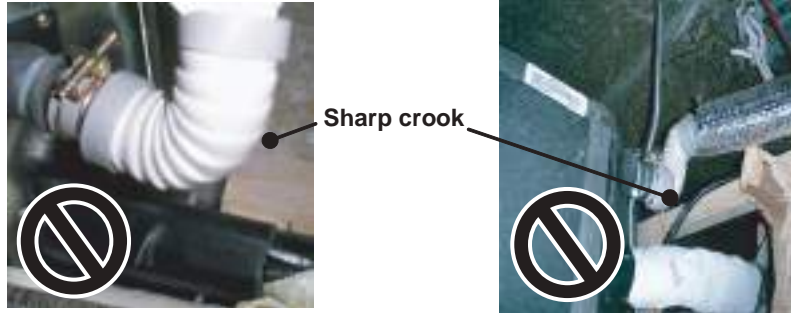
Select the diameter of the horizontal pipe bigger than vertical.

## 2. Guideline for each installation process

### 2.3.3 Caution for drain piping work

#### 1) Notice on drain working

- ① Flexible tube should not be crooked sharply.  
The tube can be broken by continuous vibration for a long time.



#### ⚠ CAUTION

Flexible tube should be connected with clamp concentrically.  
If not, water will leak from the connection.



<clamp connection>

- ② No reverse slope for drain connection

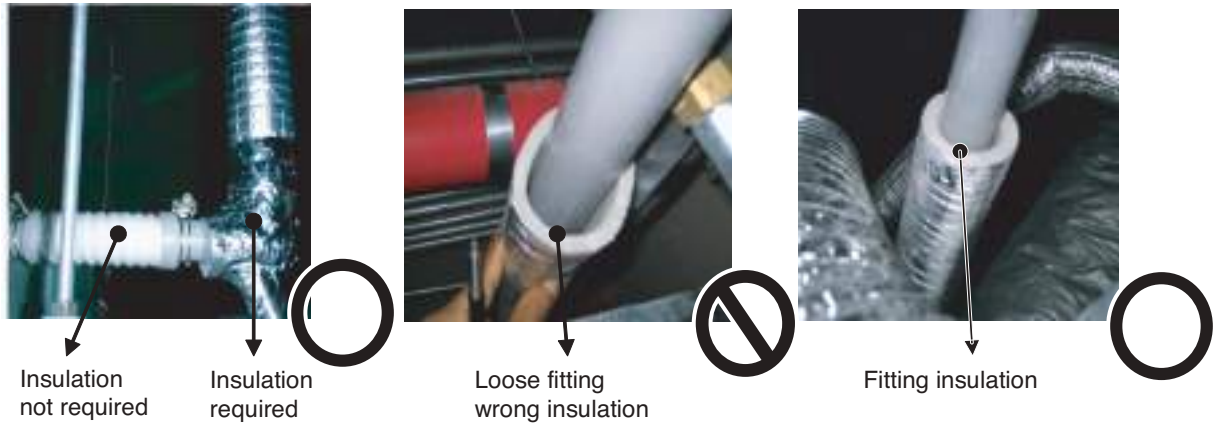


<Reverse slope>

## 2. Guideline for each installation process

### 2) Drain pipe insulation

- Drain pipe should be insulated all connected joints and ends.



- Do not use the loose fitting insulation.

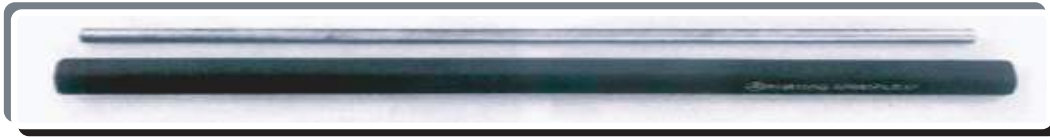
### 3) Drain water leakage test

- Water leakage test should be performed 24 hours later after drain work finishing.
- In the test, only water should be used. Other liquids are unacceptable.

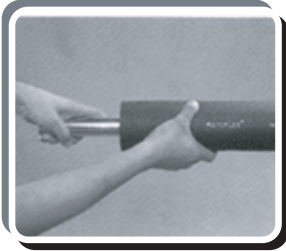
## 2. Guideline for each installation process

### 2.4 Insulation work

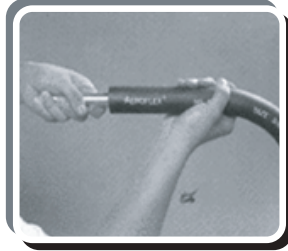
#### 2.4.1 Insulation



#### 1) Operational steps



① EPDM length should be more longer than pipe length. Do not extend EPDM by force.



② Put the pipe in EPDM insulation carefully so that the pipe will not get damaged with EPDM.



③ Bond on both side of cut surfaces of move sure to use the correct type of bond for EPDM cut surface attaching.



④ Dry it until it becomes thick, sticky and does not get detached.

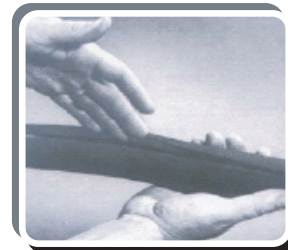
#### 2) Bending vertical side of insulation



① Use the original uncut insulation material.



② Only in specialcase is the vertical cutting of the insulation allowed.



③ Bond both sides of the surface of EPDM and press them together for long lasting bonding.



④ Dry it until it becomes thick and sticky.

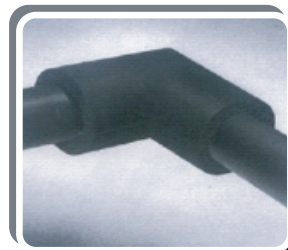
#### 3) 'L' Fitting connection part insulation



① All of the fitting connecting parts should be insulated. Bring face to face the each end of EPDM on fitting connection part.



② Make fitting cover to fit the EPDM insulation fitting cover should be overlapped with insulation min 1 inch (2.5cm).



③ Bond the both cutting sides of fitting cover.

## 2. Guideline for each installation process

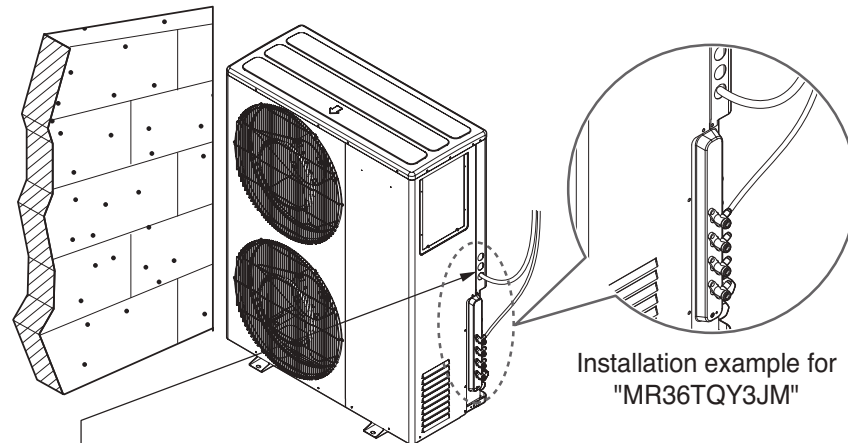
### 2.4.2 Forming the piping

1) Form the piping by wrapping the connecting portion of the indoor unit with insulation material and secure it with two kinds of vinyl tape.

- If you want to connect an additional drain hose, the end of the drain outlet should be routed above the ground. Secure the drain hose appropriately.

2) In cases where the outdoor unit is installed below the indoor unit perform the following.

- ① Tape the piping, drain hose and cable from down to up.
- ② Secure the taped piping along the exterior wall using saddle or equivalent.



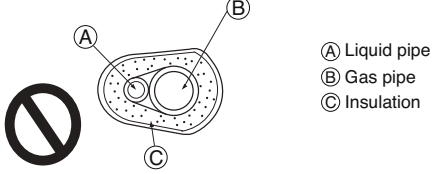
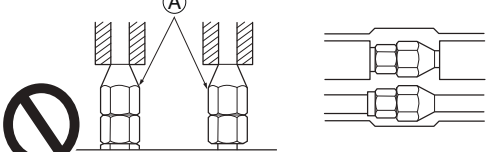
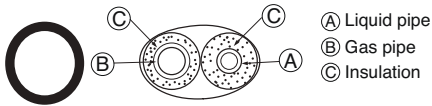
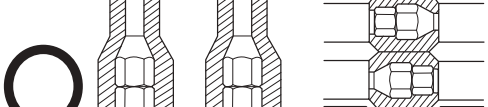
- The cable is required to prevent rain water from entering into electrical parts of outdoor unit.

## 2. Guideline for each installation process

### 2.4.3 Essential points of thermal insulation

#### 1) Thermal insulation of refrigerant piping

Be sure to give insulation work to refrigerant piping by covering liquid pipe and gas pipe separately with enough thickness heat-resistant insulation materials, so that no gap is observed in the joint between indoor unit and insulating material, and insulating materials themselves. When insulation work is insufficient, there is a possibility of condensation drip, etc. pay special attention to insulation work to ceiling plenum.

<p>Wrong method</p>	<p>• Do not insulate gas or low pressure pipe and liquid or high pressure pipe together.</p>  <p>           (A) Liquid pipe            (B) Gas pipe            (C) Insulation         </p>	<p>• Be sure to fully insulate connecting portion.</p>  <p>(A) These parts are not insulated.</p>
<p>Correct method</p>	 <p>           (A) Liquid pipe            (B) Gas pipe            (C) Insulation         </p>	

#### 2) Caution during insulation work

- In case the cables are installed in the conduit, a finishing tape is not required.
- Defect and insufficient insulation can cause condensation drops.
- Binding the insulation too tight may result in dew drops.
- Be sure not to tie wrap the insulation but put special taping or the clamp at the connecting portion.
- The insulation overlapping part at the piping connection must be a distance from the flaring part at the pipe connection.

## 2. Guideline for each installation process

---

### 3) Insulation tube thickness

- ① Thickness decision of insulation tube
- Insulation material: EPDM or polyethylene foam
  - Heat resistance=212°F(Cooling only) or more  
248°F(Heat pump) or over

- ② The thickness of the thermal insulation material must be determined in the light of the pipe sizes.

Pipe size	Thickness of insulation material (normal)
1/4~1 inch	13/32 inch or more
1 inch~	19/32 inch

- ③ It will be necessary to increase the thickness of insulation in the above table when conditions are hot and humid.
- ④ Where a customer supplies his own specifications then these must be adhered to.

**CAUTION**

Outdoor temperature and humidity around the cooling piping might exceed 86°F and RH80%, reinforce the insulation on the cooling piping (at least 13/16 inch thick)

## 2. Guideline for each installation process

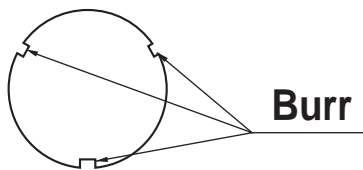
### 2.5. Electrical work

#### 2.5.1 Precautions

##### ⚠ CAUTION

When knocking out knock holes

- To punch a knock hole, hit on it with a hammer.
- After knocking out the holes, we recommend you paint the edges and areas around the edges using paint to prevent rusting.
- When passing electrical wiring through the knock holes, remove any burrs from the knock holes and wrap the wiring with protective tape to prevent damage.



If there are any possibilities that small animals or insects enter the system through the knock holes, plug the holes with packing materials (to be prepared onsite).

##### Use a conduit for the cable

- Outside the unit, make sure the thin signal cable (i.e. for the remote control, between units, etc.) and the thick electric wiring do not pass near each other, and the shield signal cable, is recommended. Otherwise, the outdoor unit may be affected by electrical noise (external noise), and malfunction or fail.
- Secure the wiring with the accessory clamps so that it does not touch the piping.
- Make sure the wiring and the electric parts box cover do not stick up above the structure, and close the cover firmly.

##### ⚠ CAUTION

Do not operate the air conditioner until the refrigerant piping work is completed.

(Operating the air conditioner before the refrigerant piping work is completed may damage the compressor.)

- Install an earth leakage circuit breaker.  
Since this is a inverter air conditioner. In order to prevent malfunction of the earth leakage breaker itself, use a breaker resistant to higher harmonics.
- After finishing the electric work, confirm that each electric part and terminal inside the electric parts box is connected securely.

##### NOTE

- Only professional electricians having sufficient knowledge should perform the electrical wiring work.  
Perform the electrical wiring work in accordance with the electrical wiring diagram.  
Make sure to set OFF the branch switch and over current breaker before starting the work.
- Install an earth leakage breaker.
- Perform grounding to the indoor units and outdoor units.
  - Do not connect the ground wire to gas pipes, sewage pipes, lightning rods telephone ground wires.
  - Gas pipes …… Can explode or catch fire if gas leaks.
  - Sewage pipes…… Provides no grounding effect if hard plastic pipes are used.
  - Telephone ground wires and lightning rods …… dangerous when struck by lightning due to abnormal rise in the electrical potential in the ground.

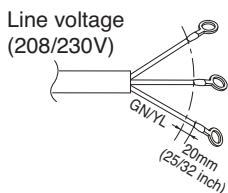
# MULTI ZONE

## 2. Guideline for each installation process

- Use only copper wires.
- Make sure to shut down the power before starting the electric wiring work.  
Do not set ON any switch until the work is completed.
- The outdoor unit has an inverter compressor which generates noise and charges the outer casing with the leakage current. The outdoor unit should be grounded so that the effect of the generated noise on other equipment can be reduced, and that the outer casing can be discharged.
- Never install a phase advancing capacitor for power factor improvement.  
(Even if it is installed, the power factor is not improved. And if it is installed, the outdoor unit is abnormally overheated.)
- Use specified electric wires in the wiring, and connect them securely.  
Fix them in such a way that external force is not applied at the terminals  
(transmission wiring in the local field and ground terminal).
- Never push excessive electric wires into the units.
- Protect electric wires with conduit tubes or other proper tubes so that they will not be damaged by edges of knock holes.
- Do not use multi conductor cable which have more than 5 wires in one core.

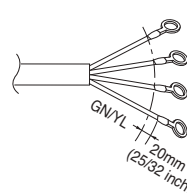
**⚡ RECOMMENDATION:** The power cord connected to the outdoor unit should comply with the following specifications: NRTL Recognized (for example, UL or ETL recognized and CSA certified).

### ■ Power supply cable



Refer to the minimum recommended wire size information in the installation manual.  
As always, final wire selection is governed by local codes and should be installed by a licensed professional contractor.

### ■ Power and Communication cable



The Power and Communication cable between the outdoor and indoor units must comply with the following specifications: NRTL Recognized (for example, UL or ETL recognized and CSA certified). Refer to the minimum recommended wire size information in the installation manual.

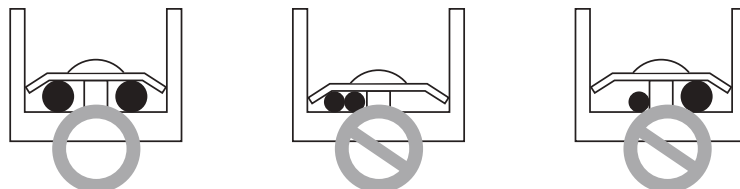
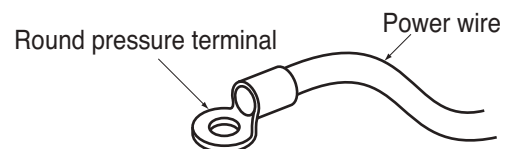
**⚡ RECOMMENDATION:** When using separate wires as the power cord, please secure separate wires in the control box panel using tie wraps to hold all wires in place.

### Precautions when laying power wiring

Use round pressure terminals for connections to the power terminal block.

When none are available, follow the instructions below.

- Do not connect wiring of different thicknesses to the power terminal block.  
(Slack in the power wiring may cause abnormal heat.)
- When connecting wiring which is the same thickness, do as shown in the figure below.



- For wiring, use the designated power wire and connect firmly, then secure to prevent outside pressure being exerted on the terminal block.
- Use an appropriate screwdriver for tightening the terminal screws. A screwdriver with a small head will strip the head and make proper tightening impossible.
- Over-tightening the terminal screws may break them.

## MULTI ZONE

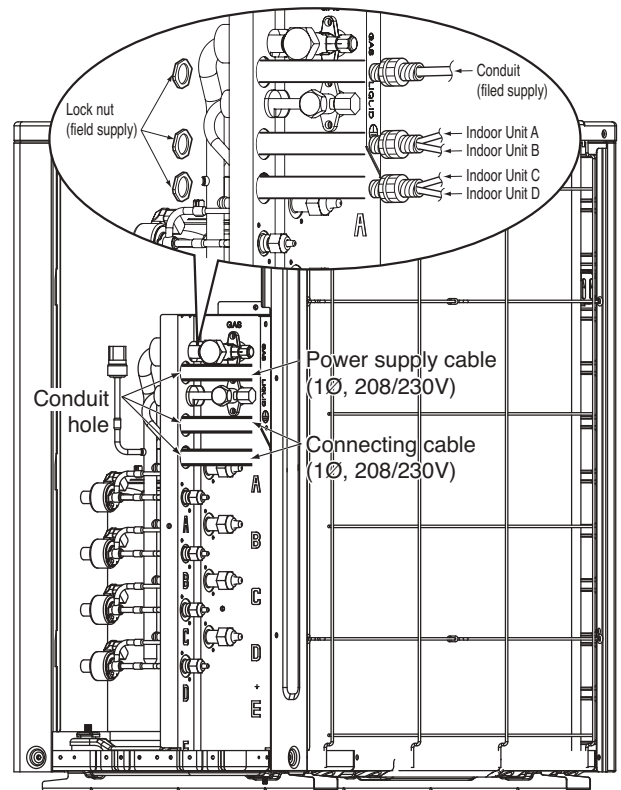
# 2. Guideline for each installation process

### 2.5.2 Connection method of the connecting cable and power lines

- 1) Remove the cover control from the unit by loosening the screw. Connect the wires to the terminals on the control board individually.
- 2) Remove the side panel and knockout of conduit panel.
- 3) Make a hole appropriate for the passage of connection cable through on cap by tool.
- 4) Pass the Power cable or connecting cable through the conduit and panel.
- 5) Properly connect the cable on the terminal block.
- 6) Fix the connection cable with cord clamp provided on the unit not to have strain at the terminal when the connection cable is pulled outside up to a 35 pound weight.
- 7) Wind the vinyl tape round the connecting cable for sealing between the surface of the connection cable and cap.
- 8) Finally, Fix the cap to the conduit panel and cover control.

#### ⚠ WARNING

- Loose wiring may cause the terminal to overheat or result in unit malfunction. A fire hazard may also exist. Therefore, be sure all wiring is tightly connected.
- Do not open knockout of cover control for conduit hole, unless it could lead to rain or snow penetration into the outdoor unit.
- You should prohibit water penetration by sealing the gap between the hole and cover control with silicone or tape after finishing work.



### 2.5.3 Communication Lines

- 1) Communication cable
  - Cross section : Refer to specifications of each model
  - Insulation material : PVC
  - Maximum allowable temperature: 194°F
  - Maximum allowable line length
    - Multiple piping type : 27m(88.6ft)
- 2) Remote control cable
  - Types : 3-core cable

#### ⚠ CAUTION

- The communication wirings of air conditioner should be separated and isolated from external device's electric wiring as computers, elevator, radio & television broadcasting facilities, as well as medical imaging offices.
- If apparatus is not properly grounded then there is always a risk of electric shocks, the grounding of the apparatus must be carried out by a qualified person.
- Use a power wire pipe for the power wiring.

## 2. Guideline for each installation process

### 2.6. Air tight test

#### 2.6.1 Air purging

Air and moisture remaining in the refrigerant system have undesirable effects as indicated below.

- ① Pressure in the system rises.
- ② Operating current rises.
- ③ Cooling (or heating) efficiency drops.
- ④ Moisture in the refrigerant circuit may freeze and block capillary tubing.
- ⑤ Water may lead to corrosion of parts in the refrigeration system. Therefore, the indoor/outdoor unit and connecting tube must be checked for leak tight, and vacuumed to remove incondensable gas and moisture in the system.

#### 1)Checking method

##### ① Preparation

- Check that each pipe (both liquid and gas side pipes) between the indoor and outdoor units have been properly connected and all wiring for the test run has been completed. Remove the service valve caps from both the gas and the liquid side on the outdoor unit. Check that both the liquid and the gas side service valves on the outdoor unit are kept closed at this stage.

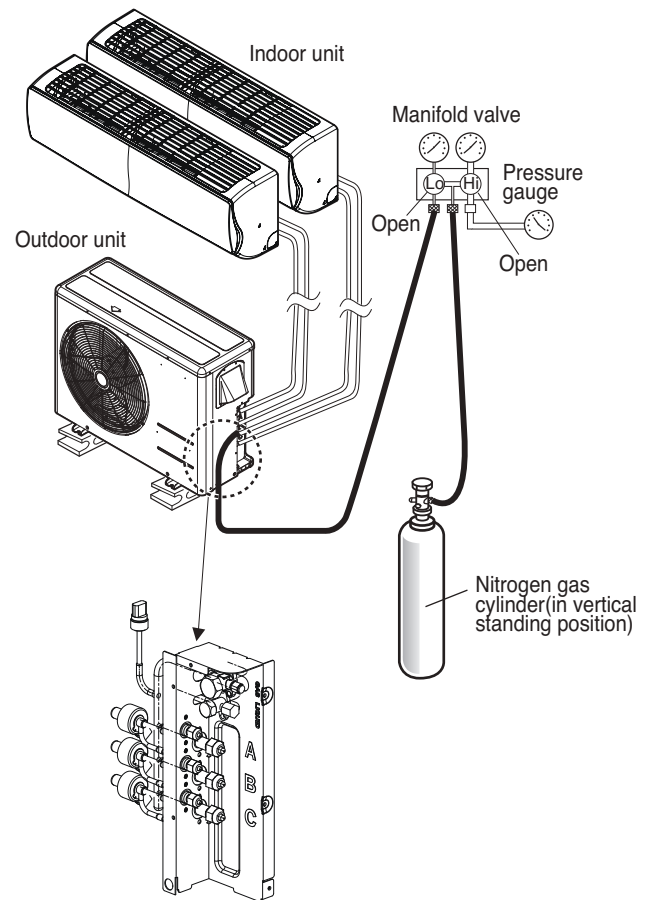
##### ② Leakage test

- Connect the manifold valve (with pressure gauges) and dry nitrogen gas cylinder to this service port with charge hoses.

#### ⚠ CAUTION

Be sure to use a manifold valve for leakage test. If it is not available, use a stop valve for this purpose. The "Hi" knob of the manifold valve must always be kept close.

Installation example for "MR24DY3JMA"



#### ⚠ CAUTION

To avoid nitrogen entering the refrigerant system in a liquid state, the top of the cylinder must be higher than its bottom when you pressurize the system. Usually, the cylinder is used in a vertical standing position.

1. Do a leakage test of all joints of the Tubing (both indoor and outdoor) and both gas and liquid side service valves. Bubbles indicate a leak. Be sure to wipe off the soap with a clean cloth.
2. After the system is found to be free of leaks, relieve the nitrogen pressure by loosening the charge hose connector at the nitrogen cylinder. When the system pressure is reduced to normal, disconnect the hose from the cylinder.

## 2. Guideline for each installation process

### 2.6.2 Essential points of testing

The key to successful testing is strict adherence to the following procedure:

1) The liquid and gas piping in each refrigerant system should be pressurized in turn in accordance with the following steps. (Nitrogen gas must be used.)

- Step 1: increase pressure to 0.3MPa(43.5psi) for 3 minutes or more
  - Step 2: increase pressure to 1.5MPa(217.6psi) for 3 minutes or more
  - Step 3: increase pressure to 3.8MPa(551.1psi) for approximate 24 hours
- } Major leaks indicate
- } Minor leaks indicate

Increasing the system pressure to 3.8MPa(551.1psi) does not guarantee the identification of minor leaks if pressure is maintained for only a short time. It is therefore recommended that the system remain pressurized in accordance with Step 3 above for at least 24 hours.

**NOTE**

Piping should not be pressured more than 3.8MPa(551.1psi).

2) Check for pressure drop

If there is no drop in pressure then the test is deemed a success.

If the pressure drops then the leak must be located. See following page.

However, if there is a change in the ambient temperature between the pressurizing stage and the time when you check for a drop in pressure then you will have to adjust your calculations accordingly since a change of 1°C(1.8°F) can account for a pressure change of approximately 0.01MPa(1.45psi).

Compensating adjustment value:

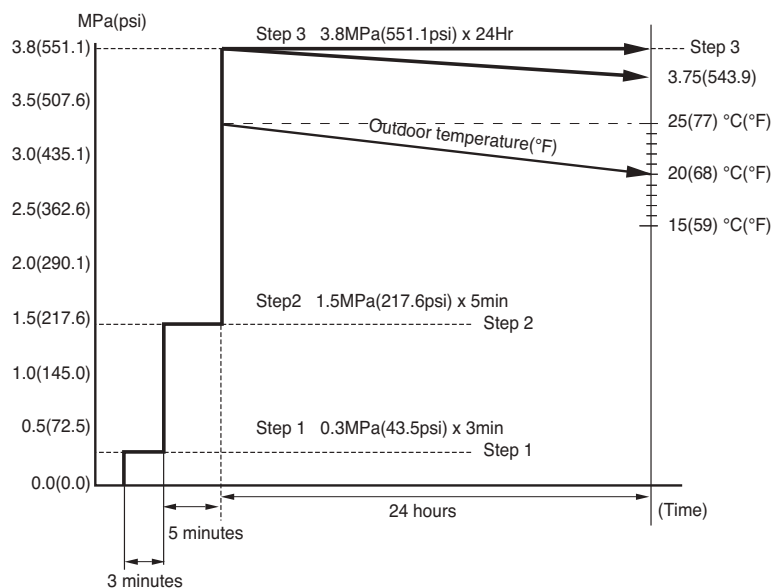
$$(\text{temperature at time of pressurizing} - \text{temperature at time of checking}) \times 0.01(1.45)$$

**Example:**

During of pressurizing: 3.8MPa(551.1psi) at 25(77) °C(°F)

24 hours later: 3.75MPa(543.9psi) at 20(68) °C(°F)

Although the gauge pressure is dropped from 3.8MPa(551.1psi) to 3.75MPa(543.9psi), it can be safely assumed that there is no leakage because the gauge pressure can also drop due to the change in outdoor temperature.



# MULTI ZONE

## 2. Guideline for each installation process

### 2.6.3 Checking for leakage

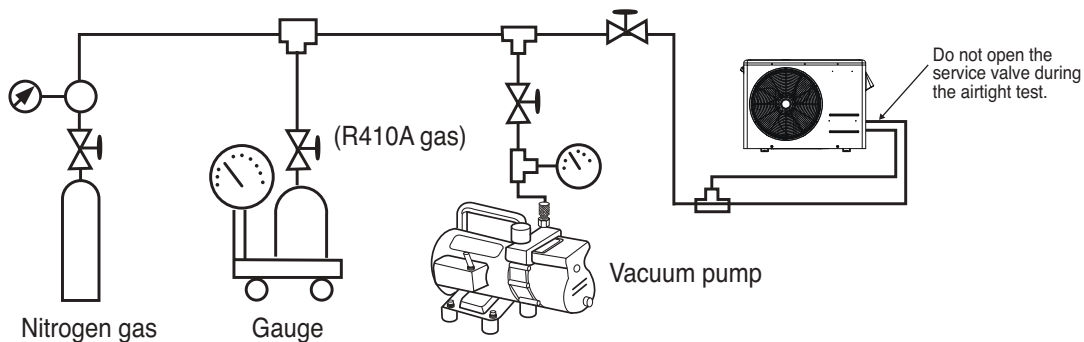
[Check 1] (Where pressure falls while carrying out Steps 1 to 3 described on previous page)

- ▶ Check by measure gage.....Gas detector.
- ▶ Check by ear.....Listen for the sound of a major leakage.
- ▶ Check by hand.....Check for leak by feeling around jointed sections with hand.
- ▶ Bubble check .....Bubbles will reveal the presence of a leakage.

[Check 2] (When searching for a minor leak or when there has been a fall in pressure while the system has been fully pressurized but the source of the leak cannot be traced.)

- ① Release the nitrogen until the pressure reaches 0.3MPa(43.5psi).
- ② Increase pressure to 1.5MPa(217.6psi) using gaseous refrigerant(R410A).
- ③ Search for the source of the leakage using a leakage detector such as a halide torch or a propane or electronic detector.
- ④ If the source of the leakage still cannot be traced then repressurize with nitrogen up to 3.8MPa(551.1psi) and check again. (The pressure must not be increased to more than 3.8MPa(551.1psi))

(System sample)



#### Important points

Where the lengths of piping involved are particularly long then the air tight test should be carried out block by block.

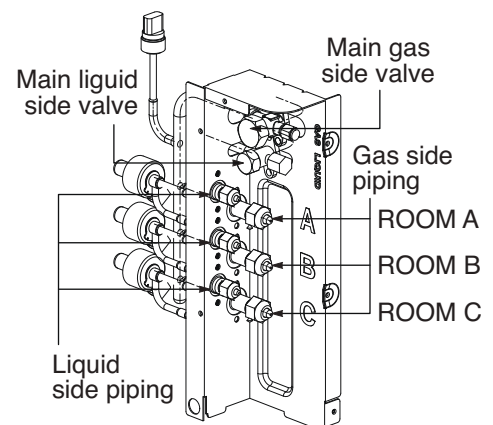
- Indoor side
- Indoor side + vertical pipes
- Indoor side + vertical pipes + outdoor side

#### CAUTION

##### Soap water method

1. Remove the caps from the 2-way and 3-way valves.
2. Remove the service-port cap from the 3-way valve.
3. To open the liquid side valve turn the valve stem counterclockwise approximately 90°, wait for about 2~3 sec, and close it.
4. Apply a soap water or a liquid neutral detergent on the indoor unit connection or outdoor unit connections by a soft brush to check for leakage of the connecting points of the piping.
5. If bubbles appear then those points have leakage.

Installation example for "MR24DY3JMA"



<Multiple piping type>

## 2. Guideline for each installation process

### 2.7. Vacuum drying work

#### 2.7.1 What is Vacuum drying?

Vacuum drying is : The use of a vacuum pump to vaporize(gasify) the moisture (liquid) inside the pipe and expel it leaving the pipes completely dry inside.

At 1 atm(760mmHg) the boiling point (evaporating temperature) of water is 100°C(212°F) but if a vacuum is created inside the pipes using a vacuum pump then the boiling point is rapidly reduced as the degree of the vacuum is increased.

If the boiling point is reduced to a level below that of the ambient temperature then the moisture in the pipes will evaporate.

#### Example

When outside temperature is 11.7°C(53.1°F) as shown in the table on the right , the degree of vacuum must be lowered below -750mmHg

The evacuation of air conditioner piping provides the following effects.

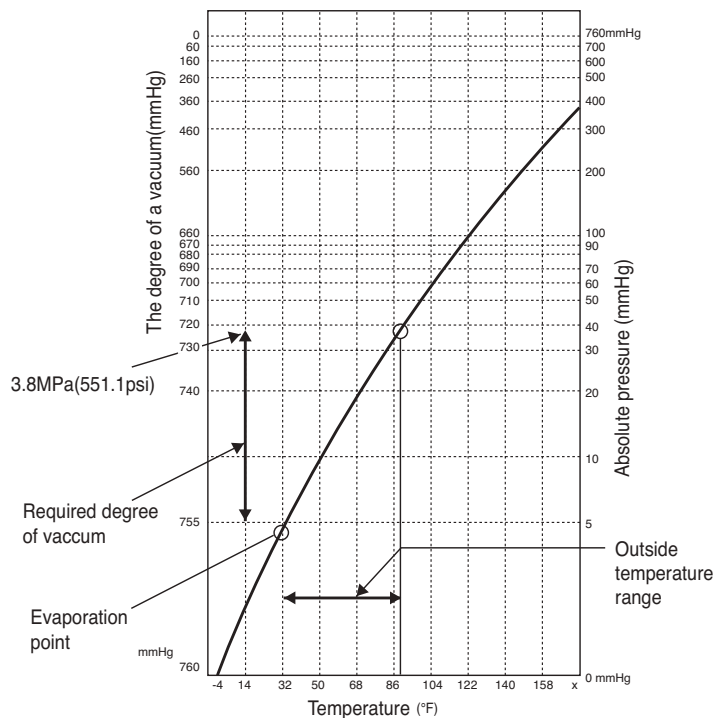
- Vacuum drying
- Removes air and nitrogen(used in air-tightness test) from the inside of pipes.

Therefore , it is necessary to ensure that both purposes have been achieved in the vacuum drying operation.

Boiling point of water(°C(°F))	The degree of a vacuum	Pressure		
	mmHg	Pa	psi	Torr
40 (104)	-705	7333	1.1	55
30 (86)	-724	4800	0.7	36
26.7(80.1)	-735	3333	0.5	25
24.4(75.9)	-738	3066	0.4	22
22.2(72)	-740	2666	0.4	20
20.6(69.1)	-742	2400	0.3	18
17.8(60)	-745	2000	0.3	15
15.0(59)	-747	1733	0.3	13
11.7(53.1)	-750	1333	0.2	10
7.2(45.1)	-752	1066	0.2	8
0(32)	-755	667	0.1	5

**NOTE**

**Key point: Maintain a vacuum level of -755mmHg**



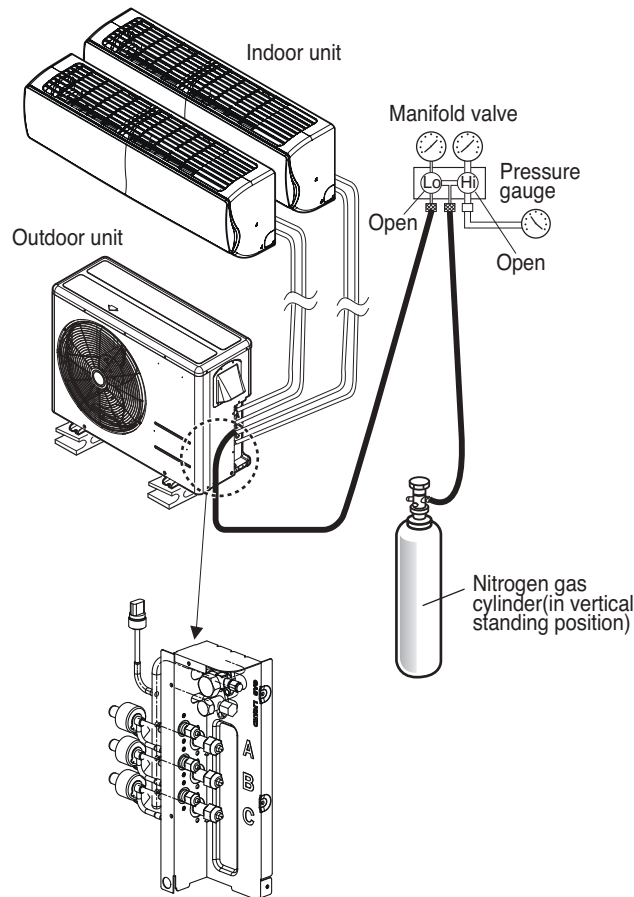
## MULTI ZONE

# 2. Guideline for each installation process

### 2.7.2 Evacuation

- ① Connect the manifold hose end described in the preceding steps to the vacuum pump to evacuate the tubing and indoor unit. Confirm the "Lo" knob of the manifold valve is open. Then, run the vacuum pump. The operation time for evacuation varies with tubing length and capacity of the pump. The following table shows the time required for evacuation.
- ② When the desired vacuum is reached, close the "Lo" knob of the manifold valve and stop the vacuum pump.

Installation example for "MR24DY3JMA"



#### **CAUTION**

##### **Finishing the job**

1. With a service valve wrench, turn the valve stem of liquid side valve counter-clockwise to fully open the valve.
2. Turn the valve stem of gas side valve counter-clockwise to fully open the valve.
3. Loosen the charge hose connected to the gas side service port slightly to release the pressure, then remove the hose.
4. Replace the flare nut and fasten the flare nut securely with an adjustable wrench. This process is very important to prevent leakage from the system.
5. Replace the valve caps at both gas and liquid side service valves and fasten them tight. This completes air purging with a vacuum pump. The air conditioner is now ready for test run.

## 2. Guideline for each installation process

### 2.7.3 Choosing a vacuum pump

#### The necessity for counter flow prevention

After the vacuum process of the refrigerant cycle, the inside of the hose will be vacuumed after stopping the vacuum pump, the oil of vacuum pump may flow back. Moreover, if the vacuum pump stops during the operation for some reason. Therefore, in order to prevent the counter flow from the vacuum pump, a check valve is required.

#### 1) Vacuum pump performance

The 2 most important things for determining vacuum pump performance are as follows:

- ① Exhaust velocity
- ② Degree of vacuum

##### ① Exhaust velocity

Exhaust volume is usually expressed as l/min or ft<sup>3</sup>/min. The larger the number, the faster the vacuum is achieved. Generally speaking, the faster the exhaust velocity, the larger and heavier the vacuum pump itself is. Commercially available vacuum pumps (exhaust velocity of 20~30 l/min(0.71~1.06 ft<sup>3</sup>/min)) usually take an extremely long time to achieve vacuum. (We recommend a vacuum pump of approx. 60~100 l/min(2.12~3.53 ft<sup>3</sup>/min))

##### ② Degree of vacuum

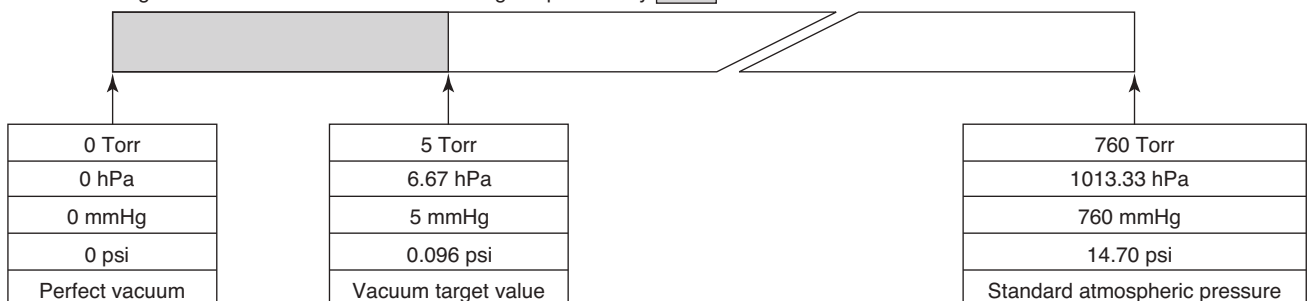
Ultimate vacuum varies largely according to use of the vacuum pump. Vacuum pumps used for vacuum forming cannot be used for vacuum drying. (A vacuum pump with a high degree of vacuum is required.)

When selecting a vacuum, you should select one which is capable of achieving 0.2 Torr of ultimate vacuum.

Degree of vacuum is expressed in Torr, micron, mmHg, and Pascal(Pa). The units correlate as follows:

	Unit	Standard atmospheric pressure	Perfect vacuum
Gauge Pressure	kg/cm <sup>2</sup>	0	-1.033
Absolute Pressure	kg/cm <sup>2</sup> abs	1.033	0
Torr	Torr	760	0
Micron	Micron	760000	0
mmHg	mmHg	760	0
hPa	hPa	1013.33	0
psi	psi	14.70	0

Degree of vacuum must be within the range expressed by



## 2. Guideline for each installation process

### 2) Vacuum pump maintenance

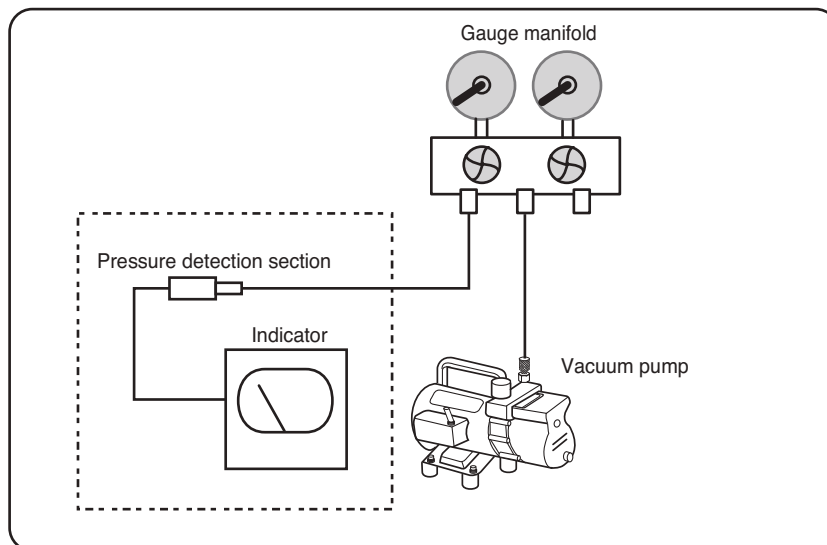
Because of their nature, most vacuum pumps contain large amounts of oil which lubricates bearings, etc., and functions to enhance airtightness of pistons. When using a vacuum pump to discharge air from refrigerant piping, moisture in the air tends to get mixed in with the oil. You must therefore change oil periodically and make sure the proper oil level is maintained. (Perform periodic inspections in accordance with the operating instructions.)

### 3) Degree of vacuum measurement

An extremely accurate vacuum gauge is required to test degree of vacuum. You cannot accurately measure degree of vacuum with the compound gauge on the gauge manifold. A Pirani vacuum gauge is required to measure degree of vacuum accurately. Because Pirani gauges are very sensitive and require extreme care when using, they are not very suitable for use in the field. You should therefore use the Pirani gauge to calibrate the attached vacuum gauge on the gauge manifold and the degree of vacuum of the vacuum pump.

### 4) Calibration method

- ① Connect a Pirani vacuum gauge and the gauge manifold vacuum gauge (760 mmHg) to the vacuum pump at the same time, and run the pump for about 3 minutes.
- ② Make sure the reading of the Pirani vacuum gauge is 5 Torr or less. The reading of conventional vacuum pumps lowers to about 0.2 Torr.  
If the reading is not 5 Torr or less, check the vacuum pump oil. (Oil is low in many cases.)
- ③ Check the attached gauge on the gauge manifold. Adjust the gauge if the reading is not exactly correct.
- ④ Adjust the gauge manifold valve so that the Pirani vacuum gauge reads 5 Torr.
- ⑤ Mark the position indicated by the gauge manifold gauge with an oil based ink pen.
- ⑥ Use the mark of the gauge manifold as a target when vacuuming in the field.



(Reference) Types of vacuum pump with respect to maximum degree of vacuum

Type	Maximum degree of vacuum	Use	
	Expulsion capacity	Vacuum drying	Air expulsion
Oil rotary (Oil using)	0.02 mmHg	Suitable	Suitable
	100 ℓ /min(3.53 ft <sup>3</sup> /min)		
Oilless rotary (No need of oil)	10 mmHg	Unsuitable	Suitable
	50 ℓ /min(1.77 ft <sup>3</sup> /min)		
	0.02 mmHg	Suitable	Suitable
	40 ℓ /min(1.41 ft <sup>3</sup> /min)		

← Many handy pumps fall into this category

## 2. Guideline for each installation process

### 2.7.4 Vacuum drying procedure

There are two vacuum drying methods and the appropriate one should always be chosen to confirm with individual local conditions.

[Normal vacuum drying].....The standard method

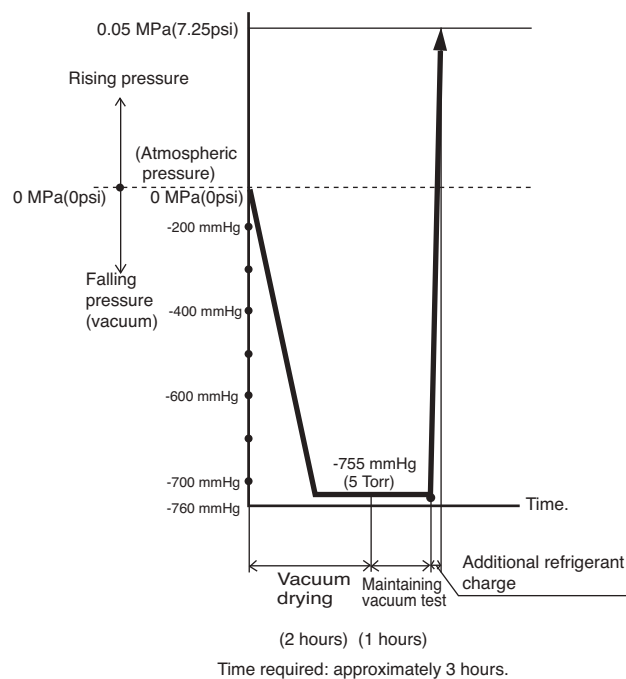
#### [Operational steps]

- ① Vacuum drying (1st time): Connect a manifold gauge to the service port of the liquid or gas pipe and operate the vacuum pump for at least 2 hours.  
(The degree of vacuum produced should be in excess of 5 Torr)  
If after 2 hours the vacuum produced has not exceeded 5 Torr then either there is moisture in the pipe or there is a leak.  
Operate the vacuum pump for further one more hour.  
If, even after 3 hours, the vacuum has not reached 5 Torr then check the system for a leak.
- ② Carry out vacuum test.  
Produce a vacuum in excess of 5 Torr and do not release it for an hour or more. Check the vacuum gauge to make sure that it has not risen. (If the gauge rise then there is still moisture in the pipe or there is a leak somewhere.)
- ③ Additional charge of refrigerant.  
Connect the charging cylinder to the liquid pipe service port and charge with the required amount of refrigerant.
- ④ Open stop valve to the full.  
Open the stop valve on the liquid and the gas pipes to the full.

#### NOTE

Vacuums should be produced in both the liquid and the gas pipes.

(Because there are a large number of functional components in the indoor unit which cut off the vacuum mid-way through)



## MULTI ZONE

### 2. Guideline for each installation process

#### 2.8 Additional charge of refrigerant

##### 2.8.1 Refrigerant charging instructions

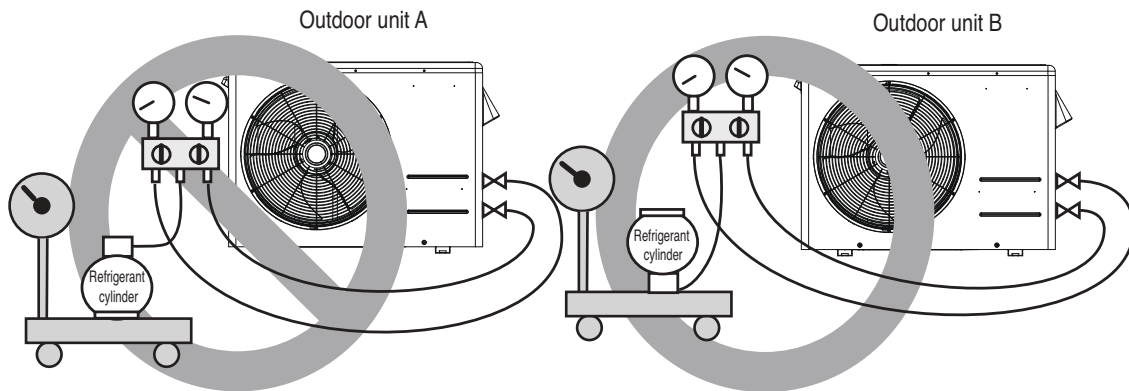
- ① The results of all calculations must be recorded. (make a list)
- ② The refrigerant will need to be additionally charged when the distance between the outdoor Unit and the most distant indoor unit is more than length (refer to section 8 outdoor unit installation condition)
- ③ The additional charging operation should be carried out by input of liquid into the liquid pipes from a charging cylinder following completion of the vacuum drying operation.
- ④ When the additional charging operation cannot be satisfactorily completed, use the action of the compressor to complete the additional charging during the test run.

R-410A is a non-azeotrope refrigerants. Therefore, these refrigerants must be charged in the Liquid state.

When charging the refrigerant into equipment from the cylinder, turn the refrigerant cylinder upside down.

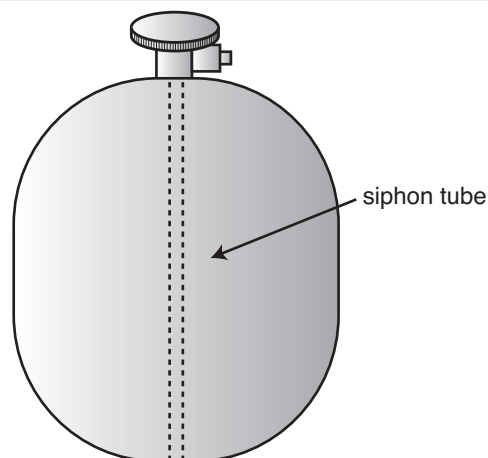
#### NOTE

Make sure that the refrigerant (liquid) is taken out from the bottom part of the refrigerant cylinder. Do not take out the refrigerant (gas) at the upper of the refrigerant cylinder for charging.



#### CAUTION

- Since some refrigerant cylinders differ in the internal mechanism, it is necessary to examine the cylinder carefully. (Some cylinders have a siphon tube to eliminate the need for turning it upside down)



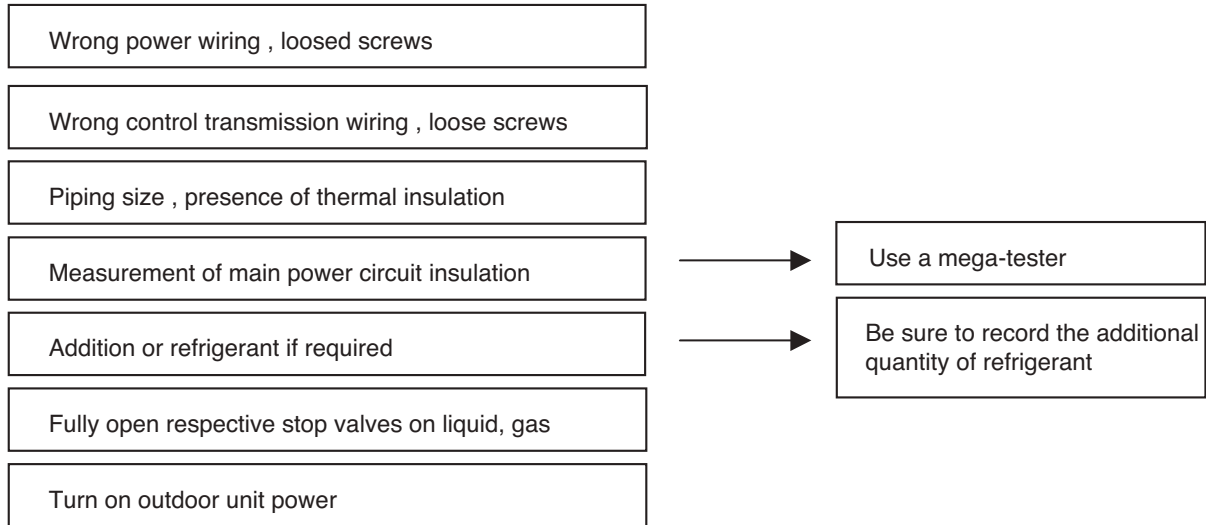
# MULTI ZONE

## 2. Guideline for each installation process

### 2.9 Trial test run operation

#### 2.9.1 Test run procedure

Check the following before turning power on

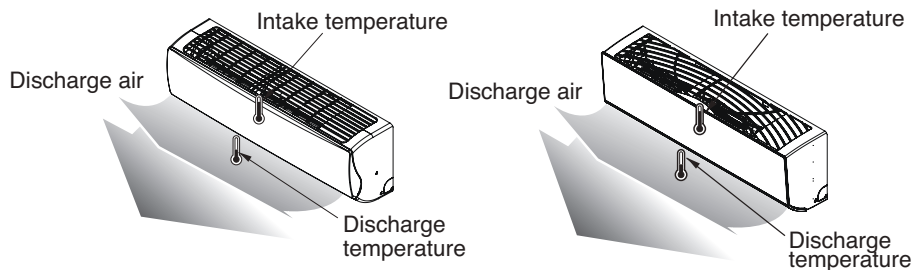


#### 2.9.2 Evaluation performance

Evaluation of the performance

Operate unit for 15~20 minutes, then check the system refrigerant charge:

- ① Measure the pressure of the gas side service valve.
- ② Measure the temperature of the intake and discharge of air.
- ③ Ensure the difference between the intake temperature and the discharge is more than 46.4°F



- ④ For reference, the gas side pressure of optimum condition is as below. (Cooling)

Refrigerant	Outside ambient Temp.	The pressure of the gas side service valve.
R410A	35°C (95°F)	8.0~10.0kg/cm <sup>2</sup> G (113.8~142.2psi)

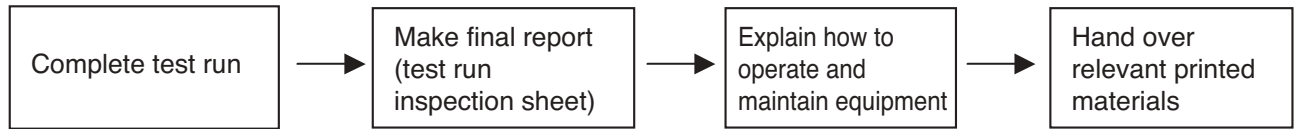
#### NOTE

: If the actual pressure is higher than shown, the system is most likely overcharged so extra refrigerant should be removed.  
If the actual pressure is lower than shown, the system is most likely undercharged so extra refrigerant should be added.  
The air conditioner is now ready for use.

## 2. Guideline for each installation process

### 2.9.3 Transfer to customer with explanation

#### Operational step



- ① The measurements taken during the test run should be recorded and kept on a test run inspection sheet.
- ② Do not forget to record the length of the refrigerant piping and the refrigerant additional charging volume on the plate on the back of the outdoor unit external notice board, as this information will be required for servicing the system.
- ③ Explain to the customer how to operate and maintain the equipment and let him try it.
- ④ Assemble all the relevant diagrams and other printed matter which is required to operate the system and hand over to the customer (on the spot) and request him to keep it handy.
- ⑤ Service contact address.

List of equipment which has been delivered

Installation drawing

1 Set of operation manuals

Names of those responsible for the work (emergency contact address)

Equipment guarantees.

It is essential to prepare a control wiring diagram which clarifies the refrigerant system and the control system.

## 3. Installation of outdoor unit

### 3.1 Safety precautions

Please strictly follow the instructions given in the Installation manual. Improper installation by ignoring the instructions can lead to damage to life and property.

Make sure to read the following safety instructions very carefully and thoroughly.



This symbol indicates the possibility of death or serious injury.



This symbol indicates the possibility of injury or damage to properties.

■ The meanings of the symbols used in this manual are as shown below.



**Be sure not to do.**



**Be sure to follow the instruction.**



**Do not use a defective or underrated circuit breaker.**

- There is risk of fire or electric shock.

**Do not use a multi consent. Always use this appliance on a dedicated circuit and breaker.**

- Otherwise it can cause electric shock or fire.

**For electrical work, contact the dealer, seller, a qualified electrician, or an authorized service center. Do not disassemble or repair the product by yourself.**

- There is risk of fire or electric shock.

**Always ground the product as per the wiring diagram. Do not connect the ground wire to gas or water pipes lightning rod or telephone ground wire.**

- There is risk of fire or electric shock.

**Install the panel and the cover of control box securely.**

- There is risk of fire or electric shock due to dust, water etc.

**Use the correctly rated breaker or fuse.**

- There is risk of fire or electric shock.

**If the power cable or cord has scratches or skin peeled off or deteriorated then immediately replace it.**

- There is risk of fire or electric shock.

**For installation, removal or reinstall, always contact the dealer or an authorized service center.**

- There is risk of fire, electric shock, explosion, or injury.

**Do not install the product on a defective foundation. Be sure that the installation area does not deteriorate with age.**

- If the foundation collapses, the air conditioner could fall with it, causing property damage, product failure, and personal injury.

**Never install the outdoor unit at a place from where it can fall down.**

- The falling outdoor unit can cause damage or injury or even death of a person and also damage or malfunctioning of the product itself.

**When the product is soaked (flooded or submerged) in water, contact an authorized service center for repair before using it again.**

- There is risk of fire or electric shock.

**In outdoor units the the step up capacitor supplies high voltage electricity to the electrical components. Be sure to discharge the capacitor completely before conducting the repair work.**

- An charged capacitor can cause electrical shock.

### 3. Installation of outdoor unit

---

**Be sure to use only those parts which are listed in the svc parts list. Never attempt to modify the equipment.**

- The use of inappropriate parts can cause an electrical shock, excessive heat generation or fire.

**Indoor/outdoor wiring connections must be secured tightly and the cable should be routed properly so that there is no force pulling the cable at the connection terminals.**

- Improper or loose connections can cause excessive heat generation or fire.

**Safely dispose off the packing materials.**

- Things like screws, nails, batteries, broken things etc after installation or svc can cause injury to small kids. Tear away and throw away the plastic packaging bags so that children will not play with them.

**Make sure to check that the power cable plug is not dirty, loose or broken, then only insert the plug completely.**

- Dirty, loose or broken power plug can cause electric shock or fire.

**During svc be sure to check the refrigerant to be used.**

- Incorrect refrigerant used can prevent the normal operation of the unit.

**When installing the unit, use the installation kit provided with the product.**

- Otherwise the unit may fall and cause severe injury .

**Do not touch, operate, or repair the product with wet hands.**

- There is risk of electric shock or fire.

**Do not place a heater or other appliances near the power cable.**

- There is risk of fire and electric shock.

**Do not allow water to run into electric parts. Install the unit away from water sources**

- There is risk of fire, failure of the product, or electric shock.

**Do not store or use or even allow flammable gas or combustibles near the product.**

- There is risk of fire or failure of product.

**If strange sounds, smell or smoke comes from the product, immediately turn the breaker off or disconnect the power supply cable.**

- There is risk of electric shock or fire.

**Do not open the front grill of the product during operation. (Do not touch the electrostatic filter, if the unit is so equipped.)**

- There is risk of physical injury, electric shock, or product failure.

**Turn the main power off when cleaning or repairing the product.**

- There is risk of electric shock.

**When the product is not to be used for a long time, turn off the circuit breaker.**

- There is risk of product damage or failure, or unintended operation.

**Take care to ensure that nobody especially kids could step on or fall onto the outdoor unit.**

- This could result in personal injury and product damage.

## 3. Installation of outdoor unit

---

### CAUTION

**Use two or more people to lift and transport the product.**

- Avoid personal injury.

**Do not install the product where it will be exposed to sea wind (salt spray) directly.**

- It may cause corrosion on the product. Corrosion, particularly on the condenser and evaporator fins, could cause product malfunction or inefficient operation.

**Keep level even when installing the product.**

- To avoid vibration or noise.

**Do not install the product where the noise or hot air from the outdoor unit could damage or disturb the neighborhoods.**

- It may cause a problem for your neighbors and hence dispute.

**Always check for gas (refrigerant) leakage after installation or repair of product.**

- Low refrigerant levels may cause failure of product.

**Do not block the inlet or outlet of air flow.**

- It may cause product failure.

**Do not step on or put anything on the product.**

- There is risk of personal injury and failure of product.

**Do not insert hands or other objects through the air inlet or outlet while the product is operating.**

- There are sharp and moving parts that could cause personal injury.

**Be cautious when unpacking and installing the product.**

- Sharp edges could cause injury. Be especially careful of the case edges and the fins on the condenser and evaporator.

**If the refrigerant gas leaks during the repair, do not touch the leaking refrigerant gas.**

- The refrigerant gas can cause frostbite (cold burn).

**Do not tilt the unit when removing or uninstalling it.**

- The condensed water inside can cause spill and wet the furniture and the floor.

**Do not mix air or gas other than the specified refrigerant used in the system.**

- If air enters the refrigerant system, an excessively high pressure results, causing equipment damage or injury.

**If the refrigerant gas leaks during the installation or operation ventilate the area immediately.**

- Otherwise it can be harmful for your health.

**Do not expose your skin or kids or plants to the cool or hot air draft.**

- This could harm to your health.

**Use a firm stool or ladder when cleaning, maintaining or repairing the product at an height.**

- Be careful and avoid personal injury.

**Dismantling the unit , treatment of the refrigerant oil, oil and eventual parts should be done in accordance with local and national standards.**

### 3. Installation of outdoor unit

---

#### 3.1.1 Points for explanation about operations

The items with WARNING and CAUTION marks in the operation manual are the items pertaining to possibilities for bodily injury and material damage in addition to the general usage of the product. Accordingly, it is necessary that you make a full explanation about the described contents and also ask your customers to read the operation manual.

#### 3.1.2 Note to the installer

Be sure to instruct customers how to properly operate the unit (especially cleaning filters, operating different functions, and adjusting the temperature) by having them carry out operations themselves while looking at the manual.

#### 3.1.3 Selecting installation site for outdoor units

Select an installation site where the following conditions are fulfilled and that meets with your customer's approval.

- ① Location strong enough to bear the weight of the unit.
- ② Location accessible and having enough clearance for inspection and service in the future.
- ③ Location allowing easy condensate drainage suitable gradient of the unit and the drain pipe.
- ④ Piping between the indoor and outdoor unit is possible within the allowable limits.
- ⑤ Location free from electrical noise.
- ⑥ Location allowing optimum air distribution without any blocking to air flow.
- ⑦ Location having no risk of flammable gas leakage.
- ⑧ Avoid where there is mineral oil mist or an oil spray or vapor, such as kitchen. It could result in leakage.
- ⑨ Location free from corrosive gases such as sulphurous acid gas because it corrodes the copper pipes or soldered parts resulting in leakage.
- ⑩ Location free from any machinery emitting electromagnetic waves which may disturb the control system thus causing malfunction of the unit.
- ⑪ Location free from flammable gases, carbon fiber, or ignitable dust suspensions in the air or where volatile flames are handled like gasoline or thinner. Operating in such conditions may result in fire.
- ⑫ Install the indoor and outdoor units, power supply wiring and connecting wires at least 1m. away from televisions or radios in order to prevent image interference or noise. (Depending on the radio waves, a distance of 1m. may not be sufficient enough to eliminate the noise.)
- ⑬ Consider whether the place where the unit will be installed can support the full weight of the unit, and reinforce it with boards and beams, etc. if needed before proceeding with the installation. Also, reinforce the place to prevent vibration and noise before installing. (The installation pitch can be found on the paper pattern for installation (3), so refer to it when considering the necessity for reinforcing the location.)
- ⑭ Obey the local and national regulations and limits regarding installation.
- ⑮ Location away from lavatory (NH<sub>3</sub> presence). NH<sub>3</sub> gas will cause corrosion of outdoor unit metallic parts.

## 3. Installation of outdoor unit

### 3.1.4 For the following items, take special care during construction and check after installation is finished

1. Items to be checked after completion of work

Items to be checked	If not properly done, what is likely to occur	Check
Are the indoor and outdoor unit fixed firmly?	The units may drop, vibrate or make noise.	
Is the gas leak test finished?	It may result in insufficient cooling.	
Is the unit fully insulated?	Condensate water may drip.	
Does drainage flow smoothly?	Condensate water may drip.	
Does the power supply voltage correspond to that shown on the name plate?	The unit may malfunction or the components burn out.	
Are wiring and piping correct?	The unit may malfunction or the components burn out.	
Is the unit safely grounded?	It may be dangerous at electric leakage.	
Is wiring size according to specifications?	The unit may malfunction or the components burn out.	
Is something blocking the air outlet or inlet of either the indoor or outdoor units?	It may result in insufficient cooling.	
Are refrigerant piping length and additional refrigerant charge noted down?	The refrigerant charge in the system is not clear.	

#### CAUTION

- **Be very careful about product transportation.**  
Some products use PP bands for packaging. Do not use any PP bands for a means of transportation. It is dangerous.
- **Safely dispose of the packing materials.**  
Packing materials, such as nails and other metal or wooden parts, may cause stabs or other injuries.  
Tear apart and throw away plastic packaging bags so that children will not play with them. If children play with a plastic bag which was not torn apart, they face the risk of suffocation.

#### NOTE

- **Install the indoor and outdoor units, power supply wiring and connecting wires at least 3.3ft. away from televisions or radios in order to prevent image interference or noise.**  
(Depending on the radio waves, a distance of 3.3ft. may not be sufficient enough to eliminate the noise.)

### 3.1.5 Before installation

- **During product unpacking and removing it from the packing case, be sure to lift it without exerting any pressure on other parts, especially, horizontal flaps, the refrigerant piping, drain piping, and other resin parts.**
- Be sure to remove a cushion (corrugated paper) located between the heat exchanger and the right air filter.
- Be sure to check the type of R410A refrigerant to be used before installing the unit. (Using an incorrect refrigerant will prevent normal operation of the unit.)
- The accessories needed for installation must be retained in your custody until the installation work is completed. Do not discard them!
- Decide upon a line of transport.
- Leave the unit inside its packaging while moving, until reaching the installation site. Where unpacking is unavoidable, use a sling of soft material or protective plates together with a rope when lifting, to avoid damage or scratches to the unit.
- For the installation of an outdoor unit, refer to the installation manual attached to the outdoor unit.
- When using the wireless remote controller, refer to the installation manual attached to the wireless remote controller.
- Entrust installation to the place of purchase or an authorized serviceman. Improper installation could lead to leaks and in worst cases, electric shock or fire.
- Use only parts provided with the unit or parts satisfying required specifications. Unspecified parts could cause the unit to fall out of place, or could lead to leaks and, in the worst cases, electric shock or fire.

## 3. Installation of outdoor unit

### 3.2 Introduction

This installation guidance describes the procedures for outdoor unit installation, piping, wiring, and control between outdoor units, indoor units and controller.

Installation of the indoor units is not described in this part. Please refer to the installation guidance manual which supplied with indoor units for their respective installation.

#### 3.2.1 Lifting method

- ① When carrying the unit suspended, pass the ropes under the unit and use the two fork lift slots each at the front and rear.
- ② Always lift the unit with ropes attached at four points so that impact is not applied to the unit.
- ③ Attach the ropes to the unit at an angle of 40° or less.
- ④ Use two ropes at least 23ft long.

#### **CAUTION**

##### **Be very careful when carrying the product.**

- PP bands are used to pack some products. Do not use them as a mean for transportation because they are dangerous.
- Do not touch heat exchanger fins with your bare hands. Otherwise you may get a cut.
- Tear plastic packaging bag and scrap it so that children cannot play with it. Otherwise plastic packaging bag may suffocate children to death.
- When carrying in outdoor unit, be sure to support it at four points. Carrying in and lifting with 3-point support may make outdoor unit unstable, resulting in a fall of it.

#### 3.2.2 Inspecting and handling the unit

At the time of delivery, the package should be checked for any damage from out side and inside, If damaged then it should be reported to the carrier claims agent immediately . When handling the unit refer to following cautions:

- ① Handle the unit with care. Keep the unit upright in order to avoid inside components damage.
- ② If a forklift is to be used it should pass the forklift arms through the openings at the bottom of the unit.
- ③ If a crane is used, lift the unit preferably with 2 ropes of at least 23ft length.
- ④ When lifting the unit with a crane, always use protectors to prevent belt damage and pay attention to the position of the unit's center of gravity.
- ⑤ Bring the unit in original package to prevent damage during local transport.

# MULTI ZONE

## 3. Installation of outdoor unit

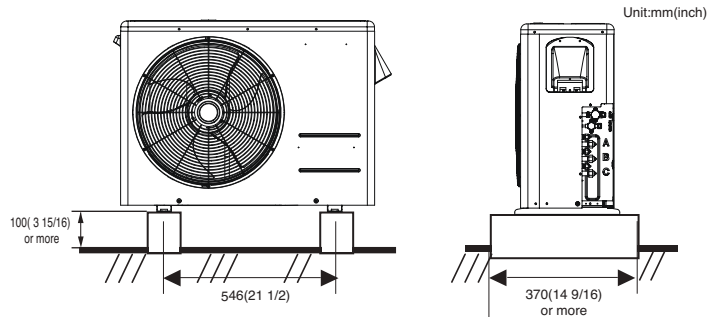
### 3.3 Foundation

#### Multiple Piping Type

##### MR24DY3JMA

<Basic intensity>

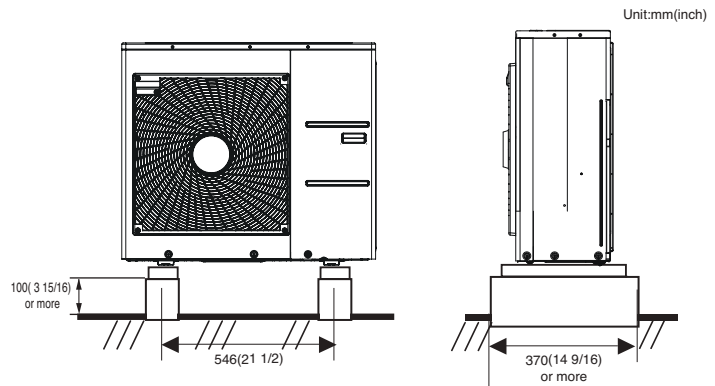
Bolt Factor	M10-J type
Concrete height	3 15/16 inch or more
Bolt inserted depth	2 3/4 inch or more



##### MR36TQY3JMA

<Basic intensity>

Bolt Factor	M10-J type
Concrete height	3 15/16 inch or more
Bolt inserted depth	2 3/4 inch or more

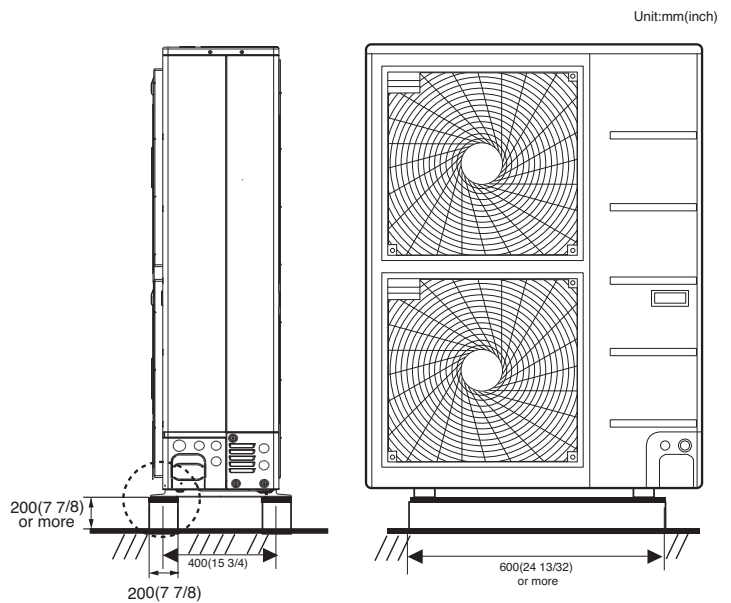


#### Branch Distribution type

##### MR48DEY3JM

<Basic intensity>

Bolt Factor	M10-J type
Concrete height	7 7/8 inch or more
Bolt inserted depth	2 3/4 inch or more



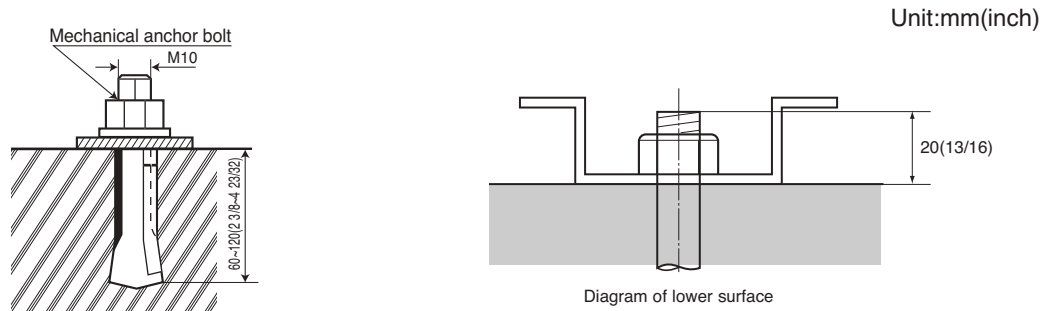
## MULTI ZONE

### 3. Installation of outdoor unit

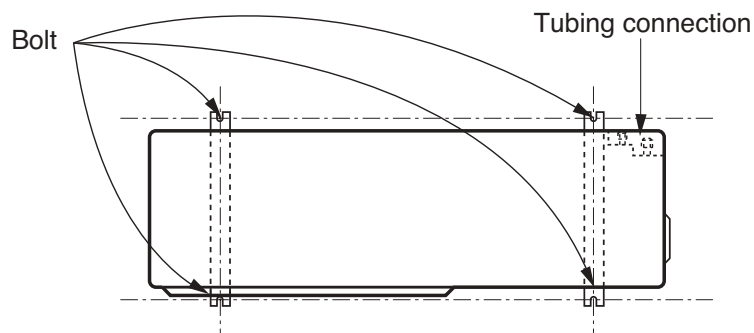
#### 3.4 Settlement of the outdoor unit

- Anchor the outdoor unit with a bolt and nut tightly and horizontally on a concrete or rigid mount.
- When installing on the wall, roof or rooftop, anchor the mounting base securely with a nail or wire assuming the influence of wind and earthquake.
- In the case when the vibration of the unit is conveyed to the house, secure the unit with an anti-vibration rubber.

#### Bolt construction work



#### Settlement draw of outdoor units



#### CAUTION

- The ingredients of foundation : Cement : Sand : Gravel for the concrete should 1 : 2 : 4 ratio
- The foundation surface should be finished with mortar.
- The edges of foundation should be rounded.
- A drain passage should be made around the foundation to thoroughly drain water away from the equipment installation area.
- If installing the outdoor units on the roof, the roof's strength have to be checked.
- Care should be taken for weather - proofing
- Blocking all gaps of outdoor unit, for passing piping and wiring, using sealing material (Field supply)  
(Animals and bugs might enter in the machine.)

## 3. Installation of outdoor unit

### 3.5 Selection of the best location

This unit is suitable for installation in a residential and commercial environmental situation.

If installed near a household appliance it can cause electromagnetic interference.

The units should be installed in a location that meets the following requirements:

- ① A robust and strong base which can support the weight of the unit and will not degrade easily
- ② If an awning is built over the unit to prevent direct sunlight or rain exposure, make sure that the discharge air of the condenser is not restricted.
- ③ It is recommended that the outdoor unit should be fenced to avoid animals or plants being exposed in the direct path of the discharged air.
- ④ Ensure proper spaces between the unit and its surrounding as given in the figure.
- ⑤ Ensure that the water shall not cause any damage by overflowing in case of water condensation
- ⑥ The noise, vibration and hot discharged air of the outdoor unit should not annoy the surrounding environment.
- ⑦ Ensure that there is no damage to the pipes in long run as it may cause the refrigerant leakage.
- ⑧ In case the outdoor may have heavy snow:
  - a. Make foundation at a suitable height.
  - b. Fit a suitable hood or a awning over the unit.
- ⑨ Rooftop Installations : If the outdoor unit is installed on a roof structure, be sure to level the unit. Ensure the roof structure and anchoring method are adequate for the unit location. Consult local codes regarding rooftop mounting.

#### **CAUTION**

An inverter air conditioner can cause electronic noise generated from broadcasting frequency. Make sure to maintain proper distances between the products and electric wires keeping away from stereo, TV set or other appliances

1. Branch switch, over current breaker
2. Remote controller
3. Cool/heat selector
4. Radio or TV set
5. Wireless microphone

If frequency signal of AM broadcasting or TV Set is non stable, keep distances of 9.8ft or more from product and use electric wire along with conduit tubes for power and transmission cable.

#### **CAUTION**

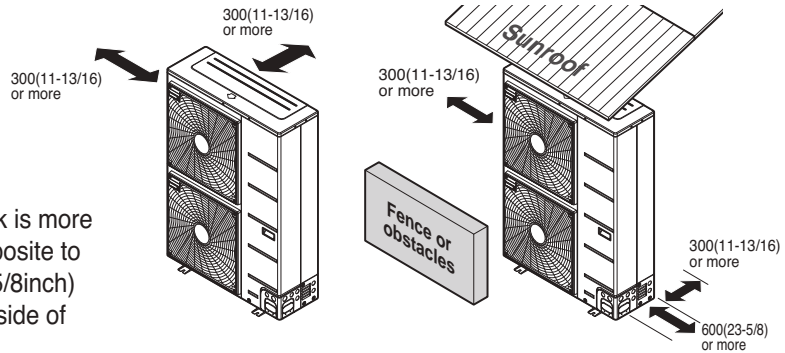
1. Although the R410A refrigerant is nonflammable, if the refrigerant leaks then its concentration may exceed the allowable limit depending on the related space volume.  
Due to this, it is necessary to take measures for the volume size against leakage.
2. Do not install unit in following locations.
  - Locations where sulfurous acids or this kind of other corrosive gases might be help to corrode of copper piping and soldered joints, and can cause refrigerant leakage.
  - Locations such as kitchens or cuisine which contain a lot of hot oil or steam or where oil may splatter to the product. Can cause the unit to make leak or other serious problem.
  - Locations where electromagnetic waves is prevalent. The electromagnetic waves may cause the control system to malfunction or causing an abnormal operation.
  - Locations where inflammable gas might leak, where combined gasoline, methane or other volatile substances, carbon dust and other incendiary substances are found in the atmosphere. Leaked gas may accumulate around the unit, can cause an serious explosion.

## MULTI ZONE

### 3. Installation of outdoor unit

#### 3.6 Clearance space

##### 3.6.1 Clearance around outdoor unit

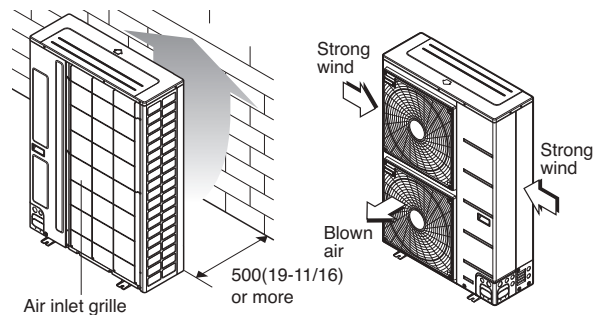


- Ensure that the space around the back is more than 300mm(11-13/16inch) on the opposite to the PCB side and secure 600mm(23-5/8inch) space near the compressor and PCB side of the air conditioner for service.

※ Outdoor unit is representative. Actual appearance of outdoor unit may be different but clearances will stay the same.

Unit : mm(inch)

- Install the unit so that its discharge port faces to the wall of the building. Keep a distance 500mm(19-11/16inch) or more between the unit and the wall surface.
- Supposing the wind direction during the operation season of the air conditioner, install the unit so that the discharge port is set at right angle to the wind direction.



Turn the air outlet side toward the building's wall, fence or windbreak screen.

Set the outlet side at a right angle to the direction of the wind.

※ Outdoor unit is representative. Actual appearance of outdoor unit may be different but clearances will stay the same.

Unit : mm(inch)

# MULTI ZONE

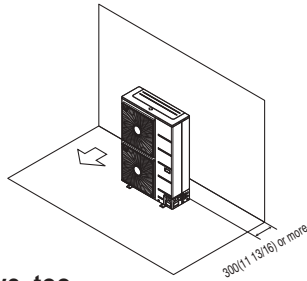
## 3. Installation of outdoor unit

### Clearance of side discharge unit [Unit:mm(inch)]

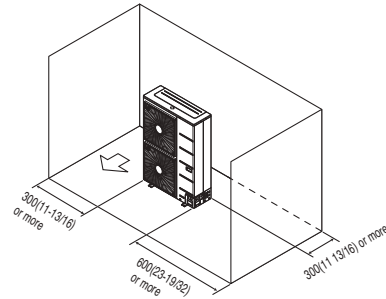
#### 1) Where there is an obstacle on the air intake side:

##### ■ No obstacle above

- Obstacle on the suction side only

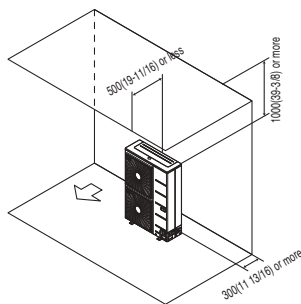


- Obstacle on the both sides

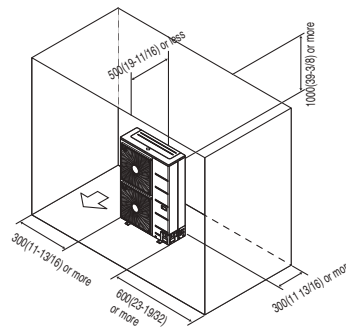


##### ■ Obstacle above, too

- Obstacle on the air intake side, too

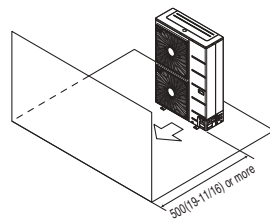


- Obstacle on the air intake side, and both sides

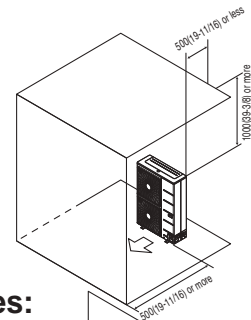


#### 2) Where there is an obstacle on the discharge side:

##### ■ No obstacle above



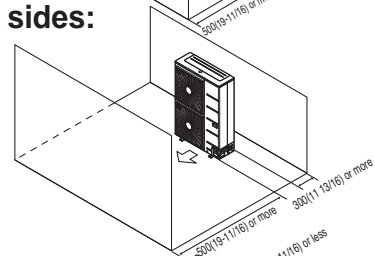
##### ■ Obstacle above, too



#### 3) Where there are obstacles on both suction and discharge sides:

##### ■ Where the obstacles on the discharge side is higher than the unit:

- No obstacle above



- Obstacle above, too

The relations between H, A and L are as follows:

	L	A[mm(inch)]
L ≤ H	0 < L ≤ 1/2H	750(29 1/32)
	1/2H < L	1 000(39 3/8)
H < L	Set the stand as: L ≤ H	

Close the bottom of the installation frame to prevent the discharged air from being bypassed.

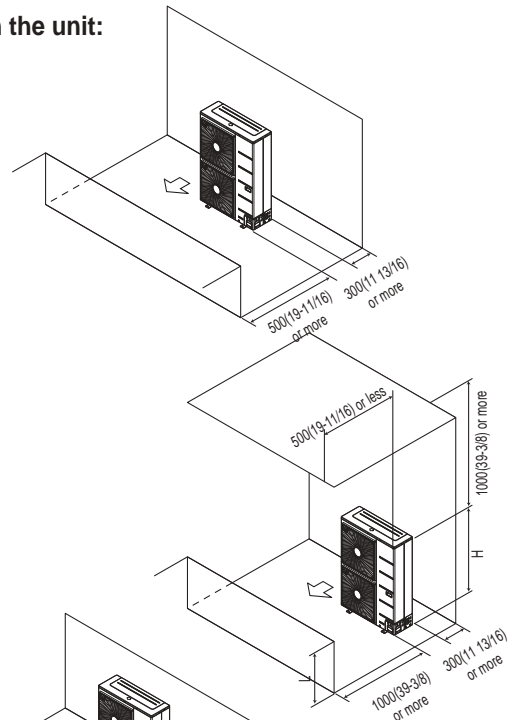
# MULTI ZONE

## 3. Installation of outdoor unit

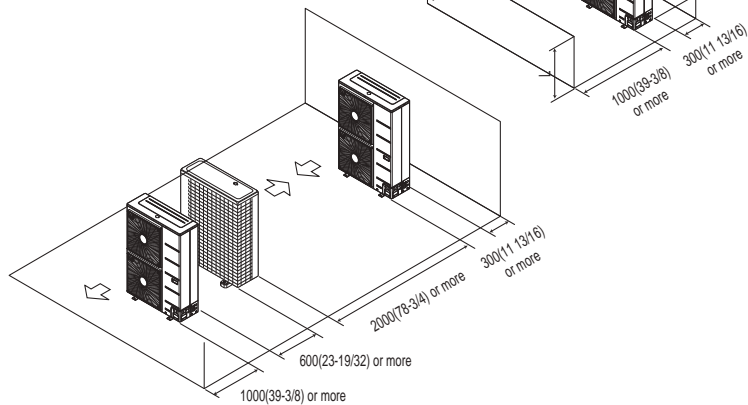
### ■ Where the obstacles on the discharge side is lower than the unit:

- No obstacle above

- Obstacle above, too  
'L' should be lower than 'H'.  
Close the bottom of the installation frame to prevent the discharged air from being bypassed.



### 4) Series installation



### 3.6.2 Air guide work

In case of out door unit is located outdoor cabin of apartment or flats, then the efficiency can drop and system pressure increases thus finally damaging the compressor or other components in the system by heat short circuit.

### 3.6.3 Lightning safety zone

- 1) To protect outdoor unit from lightning, it should be placed within lightning safety zone.

#### Safety zone

Building Height [ft]	66	98	148	197
Protection Angle [°]	55	45	35	25

- 2) Power cable and communication cable should be 4.9ft away from lightning rod.
- 3) High resistance grounded system should be performed against induced lightning or indirect stroke.
- 4) If the building has no lightning protection, outdoor may be damage from lightning. This should be informed to customer or building owner in advance.

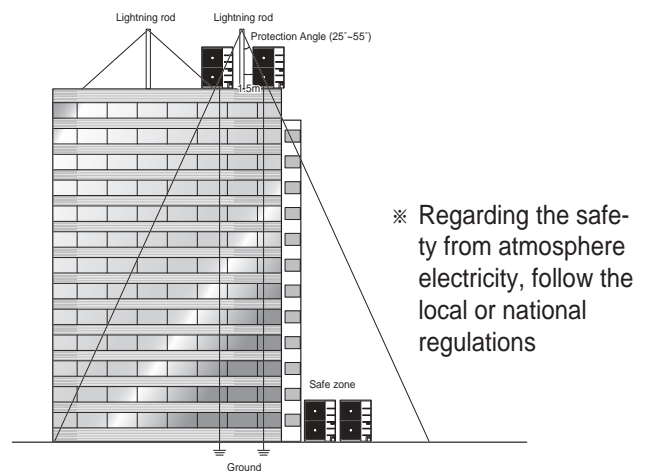
#### [Example]



<Without air guide>  
Safety dorice activation



<With air guide>  
Normal operation



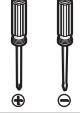




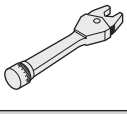



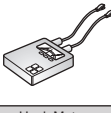
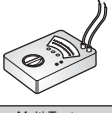

# MULTI ZONE

## 3. Installation of outdoor unit

### 3.7 Outdoor unit piping

#### 3.7.1 Outdoor unit piping

##### Required tools

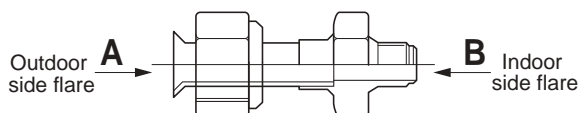
			
Screw Driver	Drill M/C 1 3.5/F14.5	Measuring Tape, Blade	Core drill
			
Spanner	Torque Wrench	Soap Foam	Thermometer
			
Hexagonal wrench(4mm, 5mm)	Hook Meter	Multi Tester	Flare Set

#### 3.7.2 Connecting piping

1) Connecting socket must be used when connecting the piping to the indoor and outdoor units

##### ■ Multiple Piping Type connecting socket

Indoor unit capacity (Btu/h Class)	Gas		Liquid	
	A	B	A	B
18k	Ø9.52(3/8)→Ø12.7(1/2)		Not necessary	



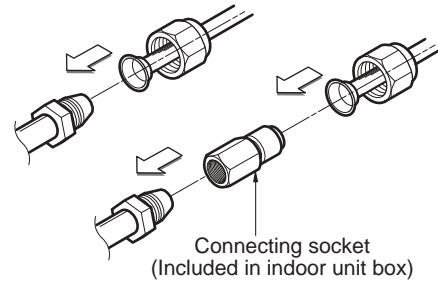
※ Connecting socket will be provided with indoor unit in same box.

##### \*Connecting pipe size

[Unit : mm(inch)]

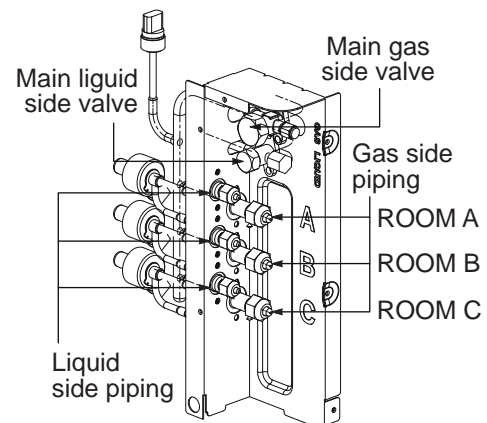
Indoor Units	Gas side	Liquid side
9k	Ø9.52(3/8)	Ø6.35(1/4)
12k	Ø9.52(3/8)	Ø6.35(1/4)
18k	Ø12.7(1/2)	Ø6.35(1/4)

2) Align the center of the piping and sufficiently tighten the flare nut by hand.



3) Finally, tighten the flare nut with torque wrench until the wrench clicks.

- When tightening the flare nut with torque wrench, ensure the direction for tightening follows the arrow on the wrench.



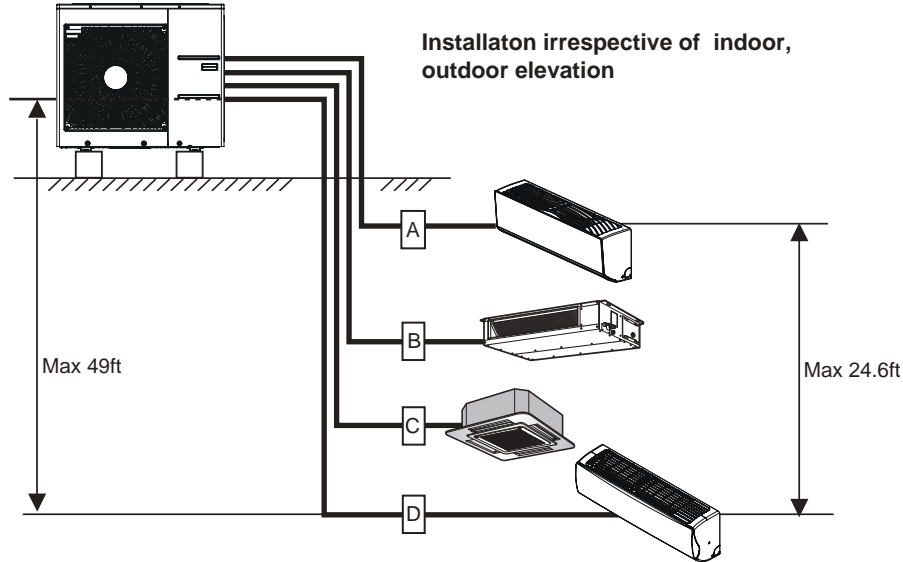
# MULTI ZONE

## 3. Installation of outdoor unit

### 3.8 Outdoor unit installation requirements

#### 3.8.1 Piping elevation and length

#### Multiple Piping Type



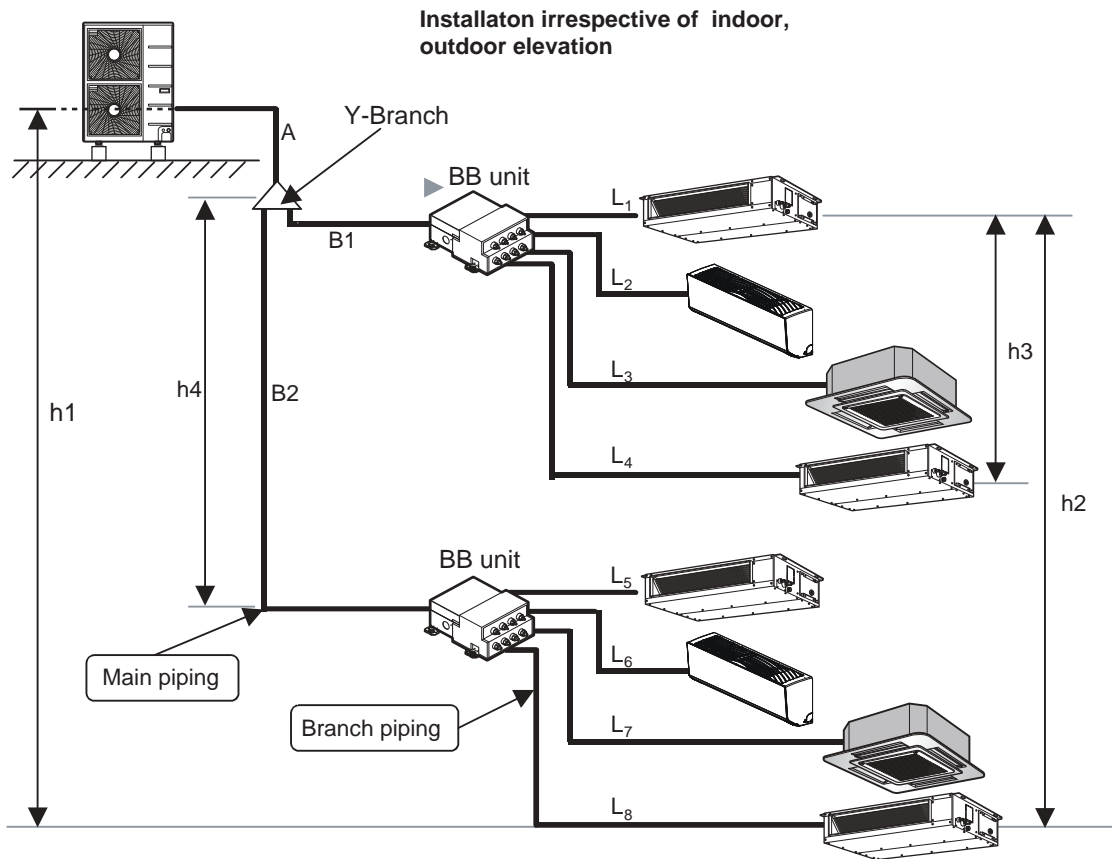
Model [Outdoor unit]	Standard length(ft) A,B,C,D	Max. pipe length of indoor unit (ft)				Max. total pipe length (ft)
		A	B	C	D	
MR24DY3JMA	25	82	82	82	-	246
MR36TQY3JMA	25	82	82	82	82	246

- The minimum length of each pipe should be 10ft.
- The max piping length of last indoor unit is max total piping length-(sum of other units piping length).

# MULTI ZONE

## 3. Installation of outdoor unit

### Branch Distribution type



Unit : m (ft)

Model Name	Total Length	Standard Main Pipe Length (A+B1+B2)	Max. Main Pipe Length (A+B1+B2)	Total Branch Pipe Length (L1+...+L8)	Standard Branch Pipe Length (L1,L2,...,L8)	Max. Branch Pipe Length	Max. Elevation			
							ODU ~ IDU (h1)	IDU ~ IDU (h2)	BB~IDU (h3)	BB~BB (h4)
MR48DEY3JM	145 (475.7)	5 (16.4)	55 (180.4)	90 (295.3)	5 (16.4)	15 (49.2)	30 (98.4)	15 (49.2)	10 (32.8)	15 (49.2)

- The minimum length of each pipe(main or branch) should be 10ft.

## MULTI ZONE

### 3. Installation of outdoor unit

#### 3.8.2 Refrigerant charge

The calculation of the additional charge should be taken into account for the additional length of pipe.

##### ■ Multiple Piping Type

**Additional charge (oz) = (Total Installation Piping Length-Standard Total Piping Length) x 0.22**

Model name	Max total length of all pipes (ft)	Max length of each pipe (ft)	Min length of each pipe (ft)	Additional Refrigerant (oz/ft)	Standard Total Piping Length (ft)
MR24DY3JMA	246	82	9.8	0.22	73.8
MR36TQY3JMA	246	82	9.8	0.22	98.4

##### ■ Branch Distribution type

**Additional charge (oz) = (( Total Main piping Length - Main Charge-less Pipe Length(A) ) x a  
+ (A Room Branch Length – Charge-less Pipe Length(B) ) x b  
+ (B Room Branch Length – Charge-less Pipe Length(B) ) x b  
+ (C Room Branch Length – Charge-less Pipe Length(B) ) x b +.. )  
- CF(Correction Factor) x 3.53**

\* CF = Max. number of connectable indoor unit – Total number of connected indoor unit

Model Name	Main piping length		Branch piping length	
	Charge-less Pipe Length for main pipe, A(ft)	Additional refrigerant, a (oz/ft)	Charge-less Pipe Length for each branch pipe, B(ft)	Additional refrigerant, b (oz/ft)
MR48DEY3JM	16.4	0.54	16.4	0.22

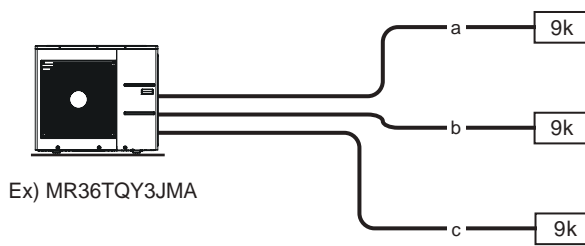
#### NOTE

If the total additional charge value after calculation comes out to be negative, then do not consider additional charge.

# MULTI ZONE

## 3. Installation of outdoor unit

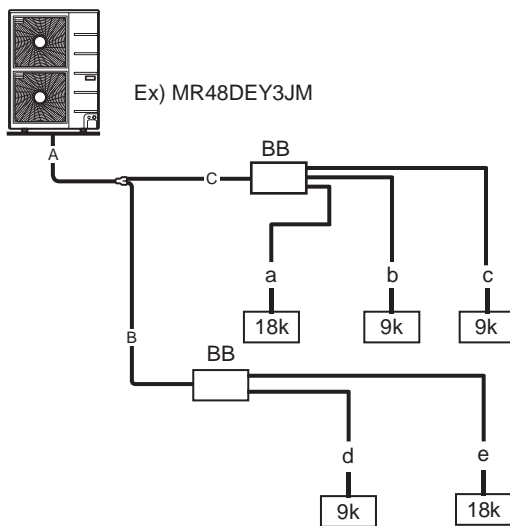
### Additional refrigerant charge calculation example - Multiple Piping Type



Each branch pipe  
 a=82ft  
 b=16ft  
 c=49ft

❖ Additional Charge  
 $= \{(82+16+49)-98.4\} \times 0.22 = 10.69 \text{ oz}$

### Additional refrigerant charge calculation example - Branch Distribution type



- Total main pipe(A+B+C)=98ft
- Each branch pipe  
 a=33ft  
 b=26ft  
 c=16.4ft  
 d=10ft  
 e=33ft

❖ Additional Charge  
 $= ((98-16.4) \times 0.54$   
 $+ (33-16.4) \times 0.22$   
 $+ (26-16.4) \times 0.22$   
 $+ (16.4-16.4) \times 0.22$   
 $+ (10-16.4) \times 0.22$   
 $+ (33-16.4) \times 0.22)$   
 $- (8-5) \times 3.53$   
 $= 42.3 \text{ oz}$

# MULTI ZONE

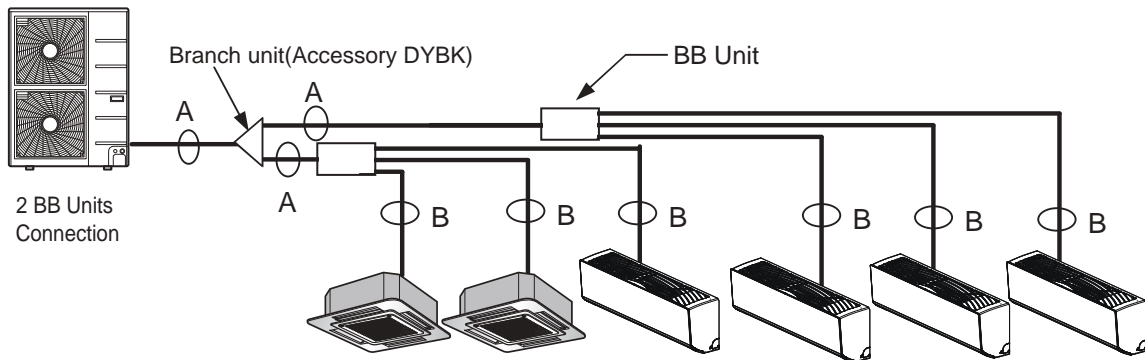
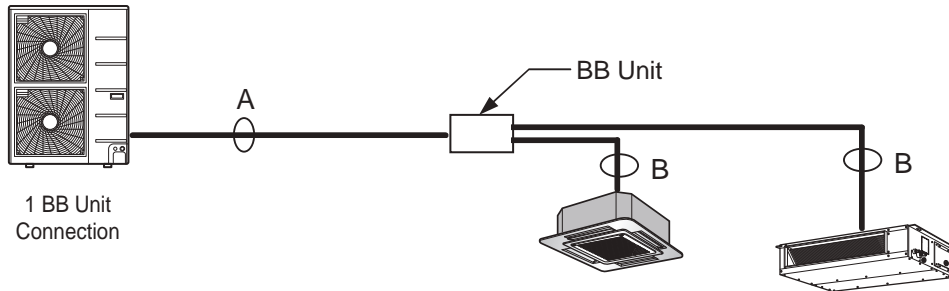
## 3. Installation of outdoor unit

### 3.8.3 Piping connection size

#### Branch Distribution type

[Unit : mm(inch)]

	A	B
Liquid	Ø 9.52 (3/8)	Adjust to indoor unit piping size
Gas	Ø 19.05 (3/4)	



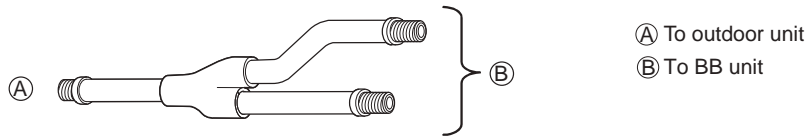
# MULTI ZONE

## 3. Installation of outdoor unit

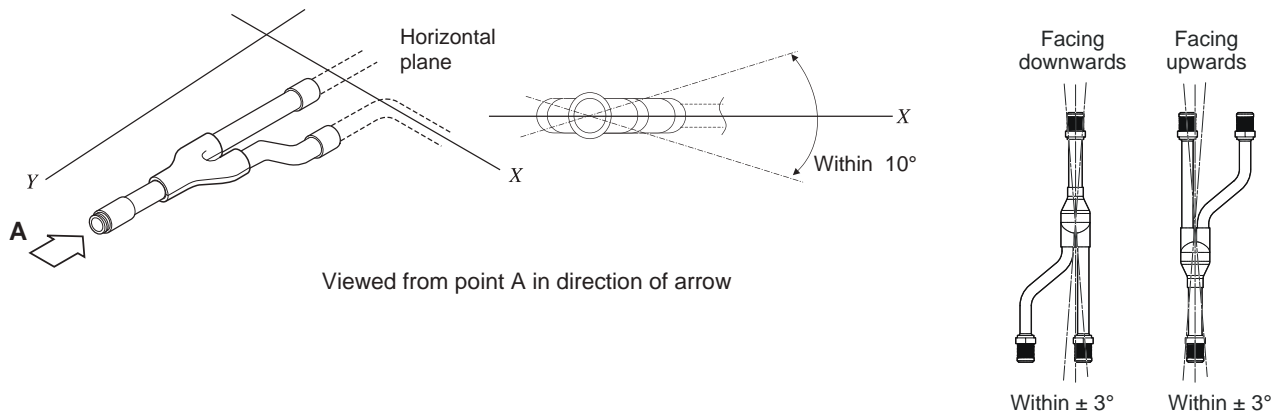
### 3.9 Y-Branch and BB (Branch Box) unit

#### 3.9.1 Branch (Accessory)

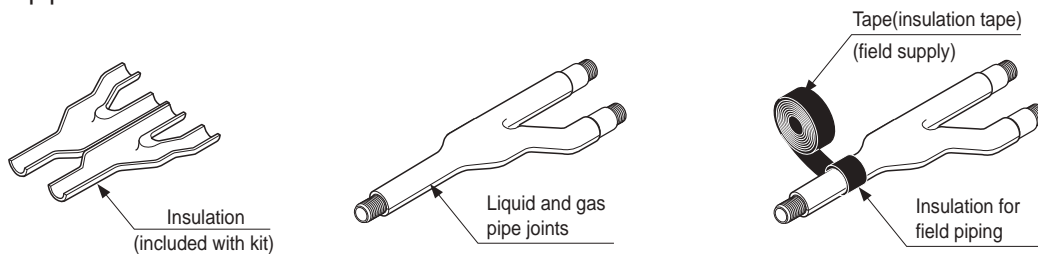
##### Y- Branch(DYBK)



- Ensure that the branch pipes are attached horizontally or vertically (see the diagram below.)



- There is no limitation on the joint mounting configuration.
- If the diameter of the refrigerant piping selected by the procedures described is different from the size of the joint, the connecting section should be cut with a pipe cutter.
- Branch pipe should be insulated with the insulation in each kit.



#### CAUTION

Do not use general electrical insulation tape, because it may get loose or get detached.

## 3. Installation of outdoor unit

### 3.9.2 BB (Branch Box) unit (Accessory)

#### 1) General information

##### Model name:

BB unit	Product
D4PBB	Branch distribution type

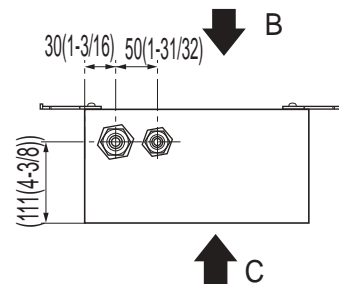
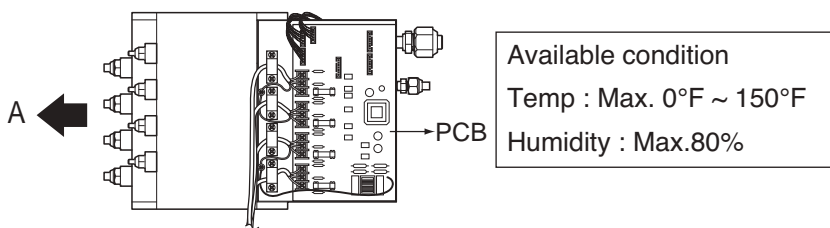
##### Functional description:

- Distribution of refrigerant to various indoor units.
- Consists of EEV's inside
- Controlling PCB inside the unit
- Internally insulated
- Flare joints for easy installation and labour cost saving
- Compact design

#### 2) Installation of BB unit

##### ① Branch distributor unit

We recommend BB unit installation at indoor side. but, if you install it outdoor side, care should be taken against water and other factors which may damage the pcb.



##### ② Connection of piping (flare work)

- No brazing & easy installation

##### NOTE

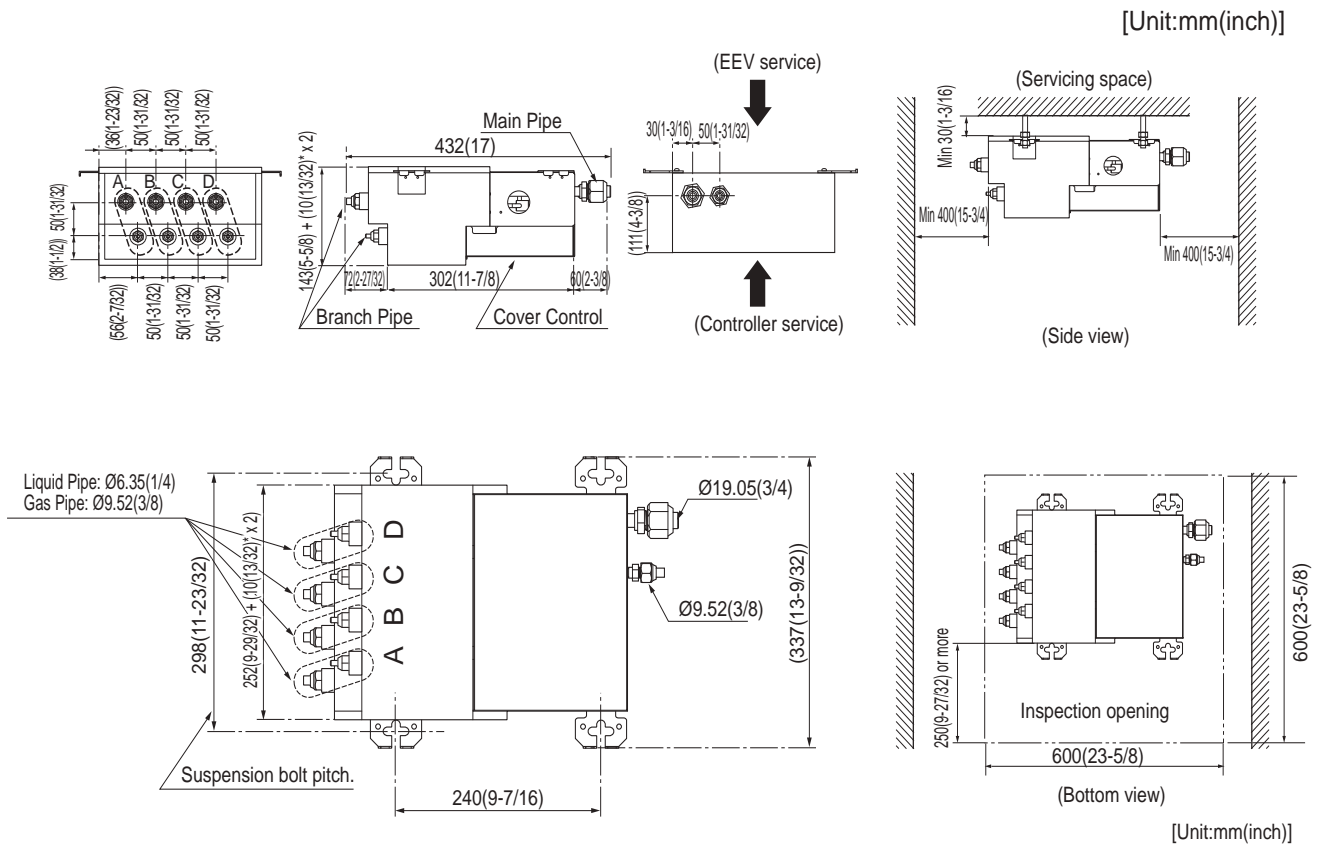
- Be sure to mark all the local refrigerant piping(liquid pipes, gas pipes, etc.) for each indoor unit designating clearly to which room it belongs to. (A, B, C, D)

##### ③ Installation of BB unit

- This unit may be installed suspended from the ceiling or mounted on the wall.
- BB Unit can be installed in any orientation, EXCEPT Side A facing up(Ports facing vertically upwards).
- Be sure to secure a 600mm(23-5/8inch) square opening for service and inspection as shown in the diagram below, for both ceiling - suspended installation and wall-mounted installation.
- BB unit does not require drain treatment as it uses internal insulation.
- Service direction is the side B and C
- The piping for the indoor unit may be led around in direction A
- The inclination of side B must be within  $\pm 5$  degree forward or backward or to the sides.

# MULTI ZONE

## 3. Installation of outdoor unit

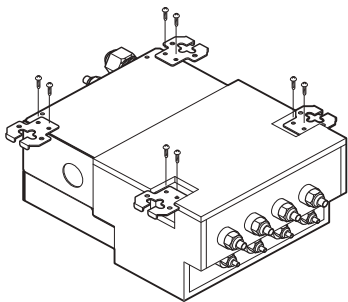


### NOTE

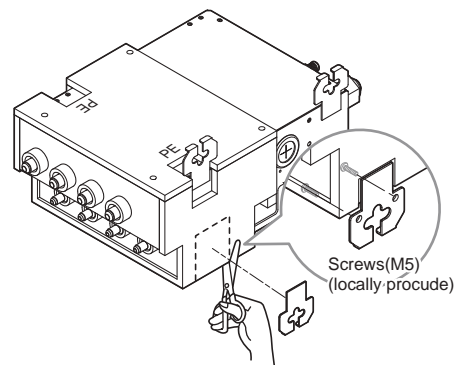
1. \* : thickness of insulation

- This unit has two different installation types: (1) Ceiling-suspended type and (2) wall-mounted type.
- Choose the proper installation pattern according to the location of installation.

#### ① Ceiling-suspended type



#### ② Wall-mounted type

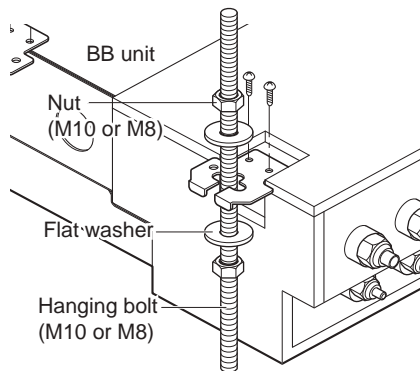


## MULTI ZONE

### 3. Installation of outdoor unit

#### Procedure

- (1) Fix the furnished hanger metal with two screws.(4 locations in total).
- (2) Using an insert-hole-in- anchor, hang the hanging bolt.
- (3) Install a hexagon nut and a flat washer (locally-procured)to the hanging bolt as shown in the figure.
- (4) After checking the level of the unit, tighten the hexagon nut.



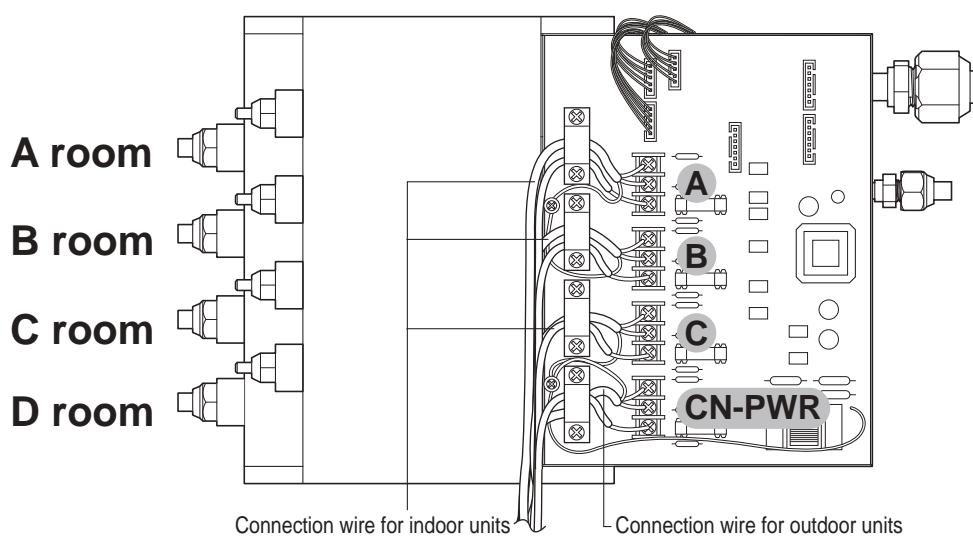
#### Procedure

- (1) Fix the furnished hanger metal with two screws. (3 locations in total).
- (2) After checking with a level that the unit is level, fix the unit
  - \* The tilt of the unit should be within  $\pm 5^\circ$  in front/back and left/right.
  - \* Block up the parts of hanger holes (2 places) by using insulation polyethylene form after installing the hanger.(This is to prevent condensation)

- Do not install near bedrooms, the sound of refrigerant flowing through the piping may sometimes be audible.
- Once a screw-hole on the main unit has had a screw hammered in, make sure to either hammer it again or cover it with aluminum tape.(This is to prevent condensation)
- Be sure to install the unit with the ceiling-side up.
- Do not install near bedrooms. the sound of refrigerant flowing through the piping may sometimes be audible.

### 3) Electrical Wiring of BB Unit

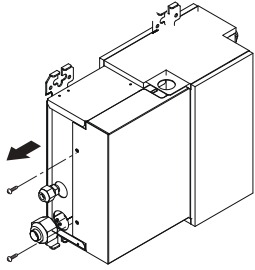
- Connect refrigerant pipes and connection wires to the appropriate ports marked with matching alphabets (A, B and C) on this unit.
- Follow the instructions on the wiring nameplate to connect the connection wires of indoor/outdoor units to terminal board numbers.(A, B and C) Always fix each ground wire separately with a ground screw.(See the figure below.)
- After completing the wiring, fix the outer coating of wires securely with wire clamps. The wire clamp on indoor unit side is furnished. Follow the procedure below to install.
- Refer to the circuit diagram on the control cover inside outdoor unit.



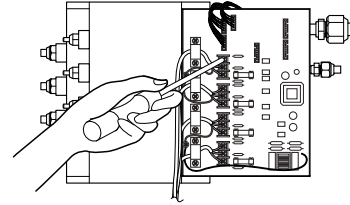
## MULTI ZONE

### 3. Installation of outdoor unit

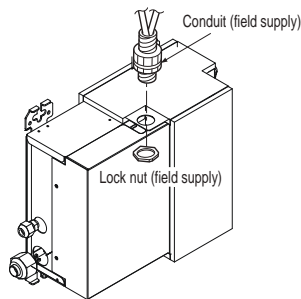
- (1) Remove the control cover. Loosen the two screws, and slide the cover in the direction of the arrow.



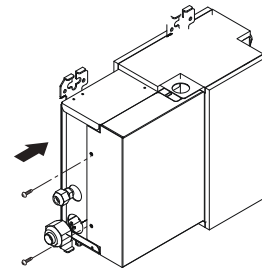
- (3) Perform wiring with reference the wiring diagram on a control cover of outdoor unit. Allow 300 mm (11 13/16 inch) for the pulling-out section of harness. Fix the wires completely with wire clamps (4 locations).



- (2) Pull out connection cable through conduit. After conduit to the panel, fix nut to the opposite side of panel. Pass the connection cable through the hole.



- (4) Put in the cover in the direction of the arrow then tighten the screws.

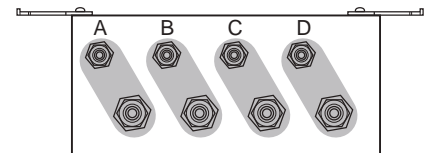


#### (5) Connection of piping

- When connecting indoor units, make sure to connect refrigerant pipes and connection wires to the appropriate connection ports marked with matching alphabets. (A, B, C, D)

#### NOTE

- Be sure to mark all the local refrigerant piping (liquid pipes, gas pipes, etc.) for each indoor unit designating clearly which room it belongs in. (A, B, C, D)



#### NOTE

For flaring work on the piping, follow the instructions in the installation manual to each unit.

# MULTI ZONE

## 3. Installation of outdoor unit

- a) Align the center of the pipings and sufficiently tighten the flare nut by hand.
- b) Tighten the flare nut with a wrench.
- c) Wrap the insulation material around the connecting portion.
  - ① Overlap the Refrigerant cable insulation material and the indoor unit pipe insulation material. Bind them together with vinyl tape so that there is no gap.
  - ② Wrap the area which accommodates the rear piping housing section with vinyl tape.
  - ③ Align the center of the piping and sufficiently tighten the brass cap by hand.
  - ④ Tighten the brass cap with a wrench.
  - ⑤ Wrap the joint part with insulation.

### CAUTION

- Never use the plastic cap for sealing.
- Make sure to use brass cap with the end of pipe sealed or welded tightly.

### ⑥ Branch pipe connection (BB unit ↔ indoor unit)

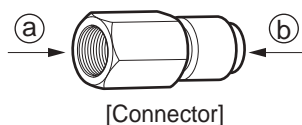
- a) While piping installation you must use the connector.

#### • D4PBB Unit

[Unit : mm(inch)]

Indoor Units	Gas		Liquid	
	①	②	①	②
18k	Ø9.52(3/8)→Ø12.7(1/2)		Not necessary	

- b) Align the center of the pipings and sufficiently tighten the flare nut by hand

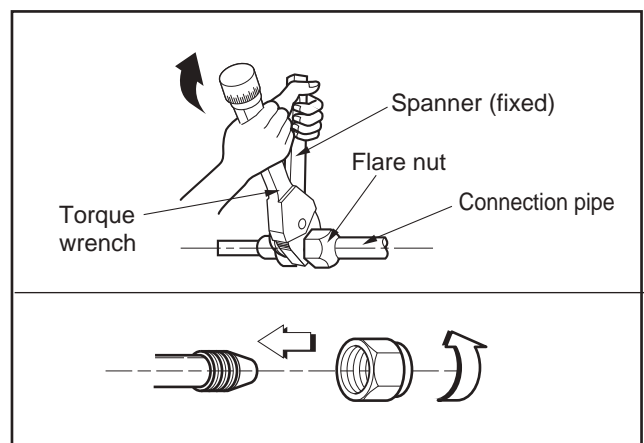
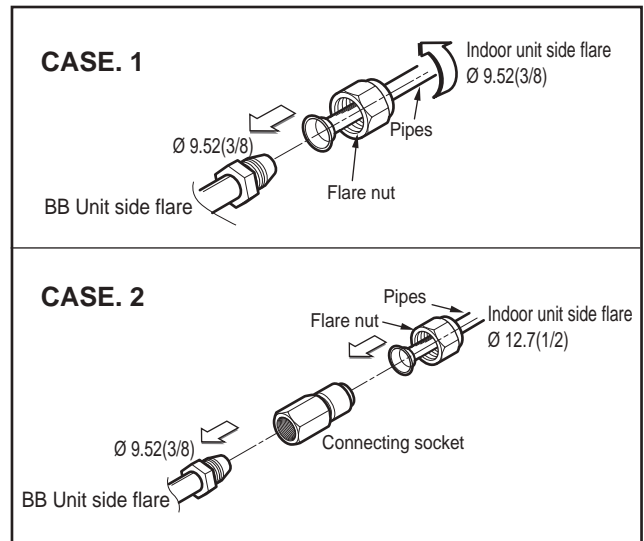


#### \*Connecting pipe size

[Unit : mm(inch)]

Indoor Units	Gas side	Liquid side
9k	Ø9.52(3/8)	Ø6.35(1/4)
12k	Ø9.52(3/8)	Ø6.35(1/4)
18k	Ø12.7(1/2)	Ø6.35(1/4)

[Unit:mm(inch)]

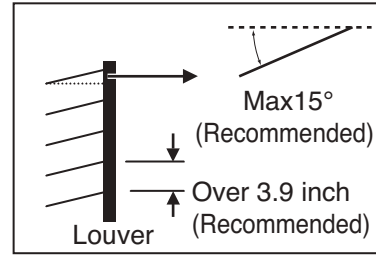


### 3. Installation of outdoor unit

#### 3.9 Outdoor unit cabin

##### 3.9.1 Outdoor cabin louver requirement

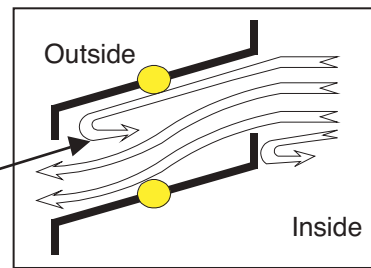
- 1) Outdoor cabin type : Manual door open type
- 2) Louver angle : less than 15° on the horizontal base
- 3) Louver interval: over 3 15/16 inch (recommend)
- 4) Louver shape : wing type or plane type



Section

**CAUTION**

- Opening rate and suction should be considered for louvered outdoor room.
- Do not use 'S' type louver.



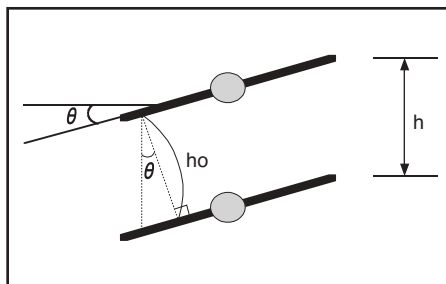
Noise can occur due to the backward flow of the air passing through the louver blade

**NOTE**

The problem in case the louver opening rate is small.

1. Noise can occur due to the increased velocity of the air passing through louver blade.
2. Noise can occur due to the louver blade vibrations.
3. Drop in outdoor fan performance (Excess static pressure damage can cause drop in the performance as well as outdoor heat exchange efficiency).
4. In case the louver opening rate is small or there is insufficient air flow exchange, it might stop the air conditioner.

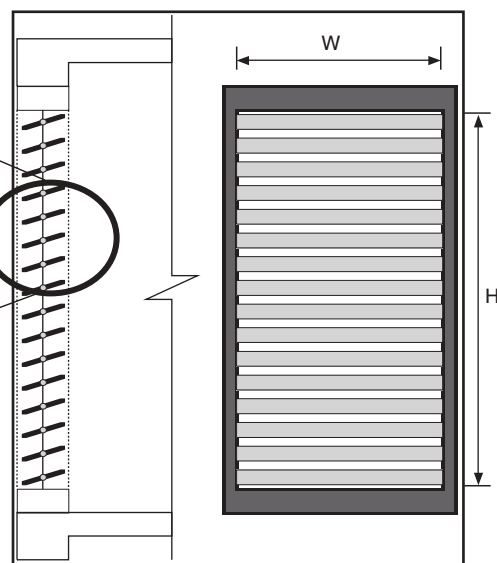
#### Opening rate by louver radian



$\theta \leq 15$   
 $h_o = h * \text{COS } \theta$   
 Total face area(A) = H \* W  
 Number of open space (N) = (number of louver - 1)  
 Effective face area(Af) =  $h_o * W * N$   
 Louver opening rate (n) = Af/A

$\therefore Af = A * n$

Effective face area of cross section



[Side view]

[Front view]

# MULTI ZONE

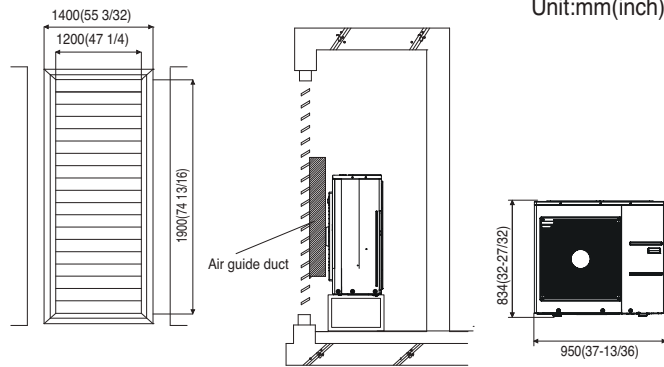
## 3. Installation of outdoor unit

### 3.10.2 Air flow rate confirmation

#### Example. 1

■ Application Model : MR36TQY3JMA Airflow rate 60m<sup>3</sup>/min(2,119ft<sup>3</sup>/min)

[Total opening rate]



- Case : velocity of discharging air: 5m/s(16.4ft/s), velocity of suction air: 2.5m/s(8.2ft/s)
- Openness rate = 80% or more
- \* Openness rate =  $\frac{\text{Effective face area}(A_f)}{\text{Total face area}(A)}$
- Air guide of discharging air part should be equipped.

- Louver total dimension (excluding frame)
- Louver shielding dimension by product
- Suction able louver dimension
- Equivalent suction dimension (Opening rate 80%)
- Equivalent suction air volume
- Required air volume / equivalent volume

$$\begin{aligned}
 (A) &= 3.9\text{ft} \times 6.2\text{ft} = 24.2\text{ft}^2 \\
 (B) &= 3.12\text{ft} \times 2.74\text{ft} = 8.55\text{ft}^2 \\
 (A-B) &= 15.7\text{ft}^2 \\
 &= 15.7\text{ft}^2 \times 0.8 = 12.56\text{ft}^2 \\
 &= 12.56\text{ft}^2 \times 8.2\text{ft/s} \times 60\text{sec/min} = 6,179.5\text{ft}^3/\text{min} \\
 &= 6,179.5\text{ft}^3/\text{min} / 2,119\text{ft}^3/\text{min} = 291\% \\
 &\Rightarrow \text{OK}
 \end{aligned}$$

# MULTI ZONE

## **Part 4 Special Part**

- 1. Installation Guide for areas exposed to sea wind**
- 2. Seasonal wind and cautions in winter**

## MULTI ZONE

### 1. Installation Guide for areas exposed to sea wind



#### CAUTION

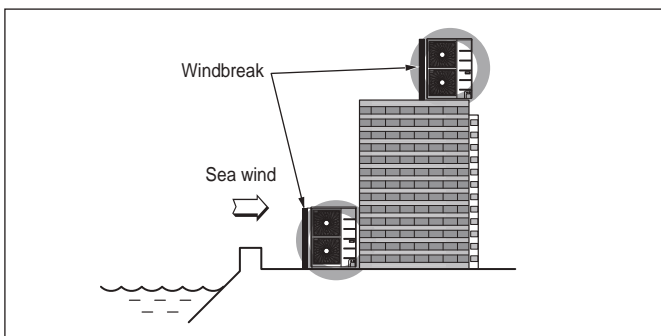
1. Air conditioners should not be installed in areas where corrosive gases, such as acid or alkaline gas, are produced.
2. Do not install the product where it could be exposed to sea wind (salty wind) directly. It can result corrosion on the product. Corrosion, particularly on the condenser and evaporator fins, could cause product malfunction or inefficient performance.
3. If outdoor unit is installed close to the seaside, it should avoid direct exposure to the sea wind. Otherwise it needs additional anticorrosion treatment on the heat exchanger.

#### Selecting the location(Outdoor Unit)

- 1) If the outdoor unit is to be installed close to the seaside, direct exposure to the sea wind should be avoided. Install the outdoor unit on the opposite side of the sea wind direction.



- 2) In case installation of the outdoor unit on the seaside is unavoidable, set up a windbreak so the outdoor unit is not exposed to the sea wind.



- The windbreak should be strong enough to prevent the sea wind from the sea.
- The height and width should be more than 150% of the outdoor unit.
- It should have more than 70cm(27-9/16inch) of space between outdoor unit and the windbreak for easy air flow.

- 3) Select a well-drained place.

Periodic ( more than once/year ) cleaning of the dust or salt particles stuck on the heat exchanger by using water

### 2. Seasonal wind and cautions in winter

- Sufficient measures are required in a snow area or severe cold area in winter so that product can be operated well.
- Get ready for seasonal wind or snow in winter even in other areas.
- Install a suction and discharge duct not to let in snow or rain.
- Install the outdoor unit not to come in contact with snow directly. If snow piles up and freezes on the air suction hole, the system may malfunction. If it is installed at snowy area, attach the hood to the system.
- Install the outdoor unit at the higher installation console by 50cm(19-11/16inch) than the average snowfall (annual average snowfall) if it is installed at the area with much snowfall.
- Where snow accumulated on the upper part of the Outdoor Unit by more than 10cm(3-15/16inch), always remove snow for operation.

1. The height of H frame must be more than 2 times the snowfall and its width shall not exceed the width of the product.  
(If width of the frame is wider than that of the product, snow may accumulate)
2. Don't install the suction hole and discharge hole of the Outdoor Unit facing the seasonal wind.



**FRIEDRICH**

Friedrich Air Conditioning Co. | 10001 Reunion Place, Suite 500 | San Antonio, TX 78216 | 877.599.5665  
[www.friedrich.com](http://www.friedrich.com)

P/no. : MFL59730709

---