

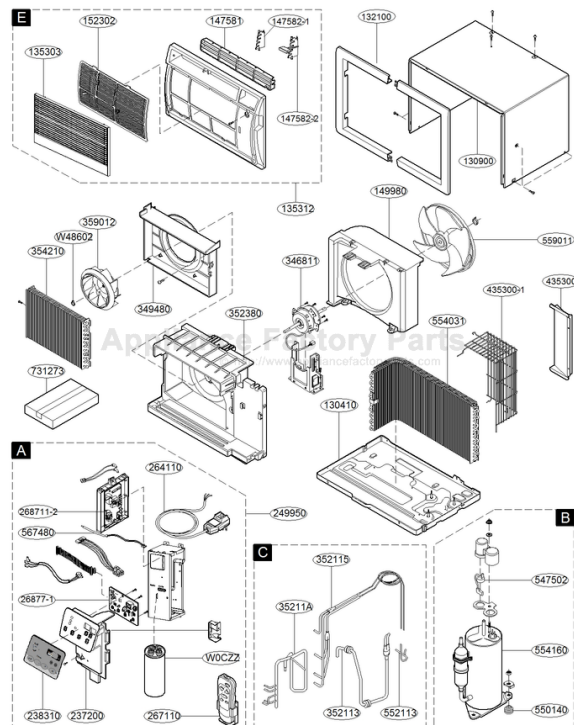
This Owner's Manual is provided and hosted by [Appliance Factory Parts](http://ApplianceFactoryParts.com).



FRIEDRICH US08D10B Owner's Manual

[Shop genuine replacement parts for FRIEDRICH
US08D10B](#)

US08D10B



[Find Your FRIEDRICH Air Conditioner Parts - Select From 1577 Models](#)

----- Manual continues below part list -----

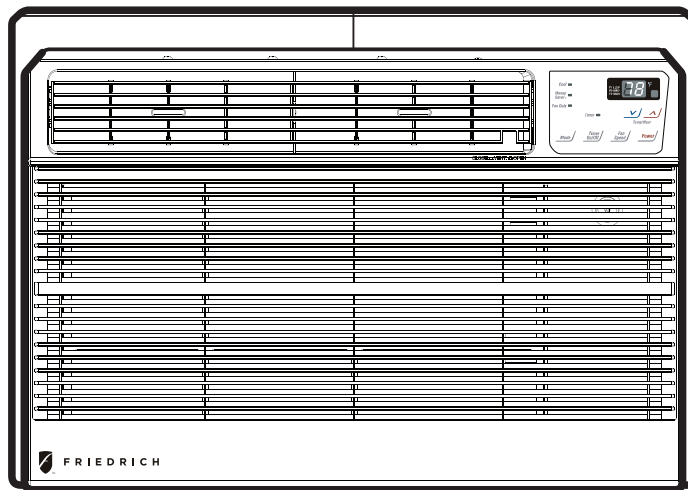
Available Replacement Parts for FRIEDRICH US08D10B

P67302500	CLAMP SPRING TYPE=RAC
P67302607	BLOWER WHEEL TYPE=RAC
P67500112	SHROULD TYPE=RAC
P67303202	FAN BLADE TYPE=RAC
P67300709	CAPACITOR TYPE=RAC
P67307681	Display Board
P67302248	Remote Controller Assembly
P67302765	Grille Assembly Front Indoor
P67304313	Filter, Air
P67304813	Grille, Inlet
P67305550	Louver, Horizontal
P67307809	thermistor
P67308105	Frame



F R I E D R I C H

Installation & Operation Guide



Uni-Fit

115 Volts • US08 • US10 • US12

230 Volts • US10 • US12 • US14

Model information can be found on the name plate located on the side of the unit near the control panel.

To register your application, complete and mail the enclosed registration card, or register on-line at www.friedrich.com (USA only).

For your future convenience, record the model information here.

MODEL NUMBER

SERIAL NUMBER

PURCHASE DATE

Safety Precautions

Safety Precautions3

Electrical Data

Electrical Data5

Operating Instructions

Controls6

Ventilation Control8

Air Direction8

Care and Maintenance

Air Filter Cleaning9

How to Attach Front Grille

to Cabinet9

Parts and Installation

Parts10

Installation11

How to Install12

Procedure13-17

**Before you call
for service...**

Trouble Shooting Tips18

Normal Operation18

Abnormal Operation18

Warranty19

**READ THIS MANUAL**

Inside you will find many helpful hints on how to use and maintain your air conditioner properly. Just a little preventive care on your part can save you a great deal of time and money over the life of your air conditioner.

You'll find many answers to common problems in the trouble shooting section. First review the trouble shooting section before calling service. Your question may already be answered.

**CAUTION**

- Contact an authorized Service technician for repair or maintenance of this unit.
- The air conditioner is not intended for use by young children without supervision.





Safety Precautions

To prevent injury and property damage, the following instructions must be followed.

■ Ignoring instructions and incorrectly operating the unit can cause harm or damage.

The seriousness is classified by the following indications.

	WARNING : This symbol indicates the possibility of death or serious injury.
	CAUTION : This symbol indicates the possibility of injury or damage to property only.

■ Meanings of symbols used in this manual are as shown below.

	Never do this.
	Always do this.

WARNING

Plug in the power plug properly.

- Otherwise, it will cause electric shock or fire due to heat generation.



Do not operate or stop the unit by inserting or pulling out the power plug.

- It will cause electric shock or fire due to heat generation.



Do not damage or use an unspecified power cord.

- It will cause electric shock or fire.
- If the power cord is damaged, it must be replaced by the manufacturer or an authorized service center.



Do not modify power cord length or share the outlet with other appliances.

- It will cause electric shock or fire due to heat generation.



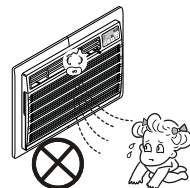
Do not operate with wet hands or in damp environment.

- It will cause electric shock.



Do not direct airflow directly at room occupants.

- This could harm your health.



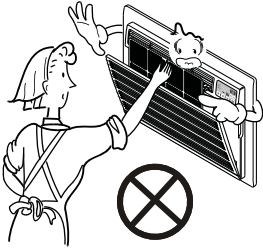
For inner cleaning, contact an Authorized Service Center or a dealer. Do not use harsh detergent that causes corrosion or damage on the unit.

- Harsh detergent may also cause failure of product, fire, or electronic shock.

CAUTION

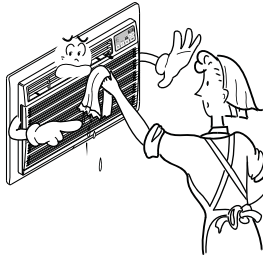
When the air filter is to be removed, do not touch the metal parts of the unit.

- They are sharp and may cause an injury.



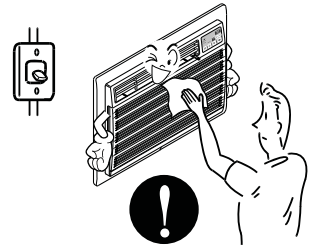
Do not clean the air conditioner with water.

- Water may enter the unit and damage the insulation.



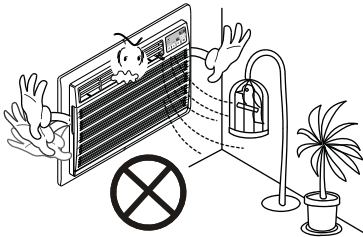
When the unit is to be cleaned, switch off, and turn off the breaker.

- Since the fan rotates at high speed during operation, it may cause an injury.



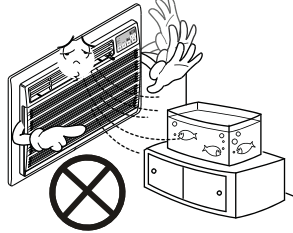
Do not put a pet or house plant where it will be exposed to direct air flow.

- This could harm the pets or plants.



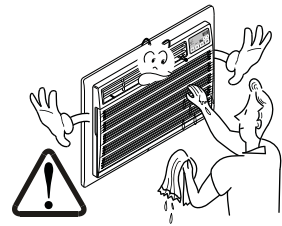
Do not use for special purposes.

- Do not use this air conditioner to preserve precision devices, food, pets, plants, and art objects. It may cause deterioration of quality, etc.



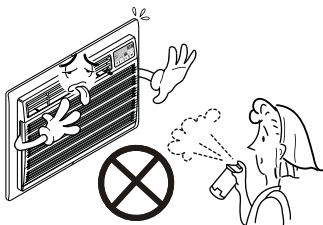
Do not operate switches with wet hands.

- It may cause an electric shock.



Do not apply an insecticide or flammable spray.

- It may cause a fire or damage the cabinet.



If the liquid from the batteries gets onto your skin or clothes, wash it well with clean water. Do not use the remote if the batteries have leaked.

- The chemicals in batteries could cause burns or other health hazards.



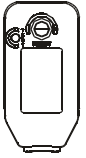
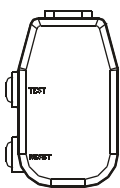
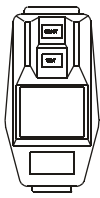

If you eat the liquid from the batteries, brush your teeth and see doctor. Do not use the remote if the batteries have leaked.

- The chemicals in batteries could cause burns or other health hazards.





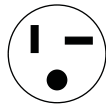
Electrical Data

Electrical Data


115V~		230V~		Power cord may include a current interrupter device. A test and reset button is provided on the plug case. The device should be tested on a periodic basis by first pressing the TEST button and then the RESET button. If the TEST button does not trip or if the RESET button will not stay engaged, discontinue use of the air conditioner and contact a qualified service technician.
				

USE OF EXTENSION CORDS

Because of potential safety hazards, do not use an extension cord.

Use Wall Receptacle	Power Supply
 <p>Standard 125V, 3-wire grounding receptacle rated 15A, 125V AC</p>	Use 15 AMP. time delay fuse or 15 AMP. circuit breaker.
 <p>Standard 250V, 3-wire grounding receptacle rated 15A, 250V AC</p>	
 <p>Standard 250V, 3-wire grounding receptacle rated 20A, 250V AC</p>	Use 20 AMP. time delay fuse or 20 AMP. circuit breaker.

⚠ WARNING



Electrical Shock Hazard
 Plug into a grounded 3 prong outlet.
 Do not remove ground prong.
 Do not use an adapter.
 Do not use an extension cord.
 Failure to follow these instructions can result in death, fire, or electrical shock.

All wiring should be done in accordance with local electrical codes and regulations.

NOTE : Aluminum house wiring may pose special problems. Consult a qualified electrician.

⚠ **ELECTRICAL SAFETY**

IMPORTANT GROUNDING INSTRUCTIONS

The air conditioner has a three-prong grounding plug on its power supply cord, which must be plugged into properly grounded three-prong wall receptacle for your protection against possible shock.

FUSE – Use a time-delay fuse or circuit breaker. Refer to the nameplate for proper power supply requirements.

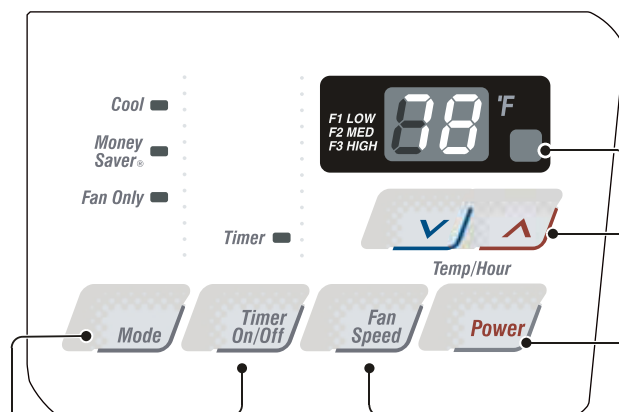
208/230 VOLT UNITS

These units are equipped with a three-prong grounding plug on the power supply cord, which must be plugged in to a matching, properly grounded three-prong wall receptacle for your protection against possible shock hazard. If such an outlet is not present, one must be installed by a qualified electrician in accordance with the National Electrical Code and local codes and ordinances.

Operating Instructions



Controls



REMOTE CONTROL SIGNAL RECEIVER

TEMPERATURE SETTING

- Use this button to automatically control the temperature of the room.
The temperature can be set within a range of 60°F to 86°F by increments of 1°F.
- The setting appears in the display.

POWER

- To turn the air conditioner ON, push this button.
To turn the air conditioner OFF, push the button again.
- This button takes priority over any other button.
- When you first turn it on, the unit is in cool mode, at High fan speed, and set at a temperature setting of 72°F.

FAN SPEED

- Every time you push this button, it advances the setting as follows:
{High → Low → Med → High}

TIMER

- SHUT-OFF TIME
 - You will usually use shut-off time while you sleep.
 - If unit is running, use Timer to set number of hours until shut-off.
 - For your sleeping comfort, once Time is set, the Temperature setting will rise 2°F after 30 min., and once again after another 30 min.
 - Push Timer button to advance setting from 1 Hour → 2 Hours → → 24 Hours maximum.
- START TIME
 - If unit is off, use Timer to set number of hours before unit starts.
 - Push Timer button to advance setting from 1 Hour → 2 Hours → → 24 Hours maximum.

MODE

- Push this button to shift mode of operation from COOL → MONEY SAVER → FAN.
- COOL :
 - Fan runs continually for normal cooling operation.
- MONEY SAVER:
 - The fan stops when the compressor stops cooling. Approximately every 3 minutes the fan will turn on and the unit will check the room air to determine if cooling is needed.
- FAN :
 - Fan-only operation.

AUTO RESTART

When power is restored after an electrical power failure, the unit will begin to run at its previous setting.



REMOTE CONTROL

POWER

- To turn the air conditioner ON, push this button.
To turn the air conditioner OFF, push the button again.
- This button takes priority over any other button.
- When you first turn it on, the unit is in cool mode, High fan speed, Temperature setting at 72°F.
- Auto Restart
In the event of a power failure, the unit will run at the previous setting once power returns.

TEMPERATURE SETTING

- Use this button to automatically control the temperature of the room.
The temperature can be set within a range of 60°F to 86°F by increments of 1°F.
- The setting appears in the display.

FAN SPEED

- Every time you push this button it advances the setting as follows:
(High → Low → Med → High)

TIMER

- SHUT-OFF TIME

- You will usually use shut-off time while you sleep.
- If unit is running, use Timer to set number of hours until shut-off.
- For your sleeping comfort, once Time is set, the Temperature setting will rise 2°F after 30 min, and after another 30 min.
- Push Timer button to advance setting from : 1 Hour → 2 Hours → → 24 Hours maximum.

- START TIME

- If unit is off, use Timer to set number of hours before unit start.
- Push Timer button to advance setting from : 1 Hour → 2 Hours → → 24Hours maximum.

MODE

- Push this button to shift mode of operation from COOL → MONEY SAVER → FAN.

- COOL :

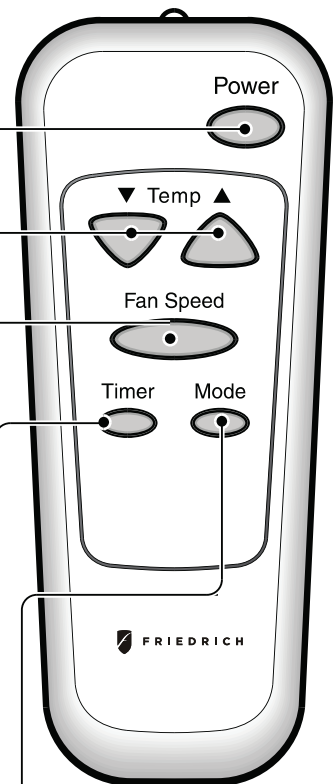
- Fan runs continually for normal cooling operation.

- MONEY SAVER

- The fan stops when the compressor stops cooling.
Approximately every 3 minutes the fan will turn on and the unit will check the room air temperature to determine if cooling is needed.

- FAN :

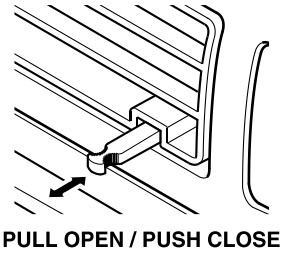
- Fan-only operation



Additional controls and important information.

Ventilation Control

Push the lever to the "CLOSE" position to cool, heat or recirculate room air only.
 Pull the lever to the "OPEN" position to exhaust smoke or stale air from the room.
 This feature is best used in conjunction with the FAN ONLY position.

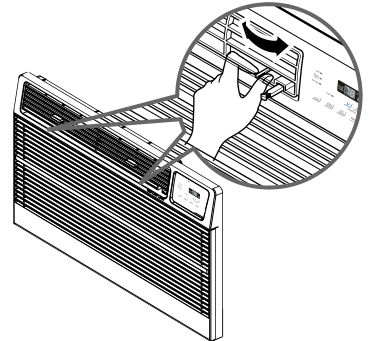


Air Direction

The direction of air can be controlled by adjusting the horizontal and vertical louvers.

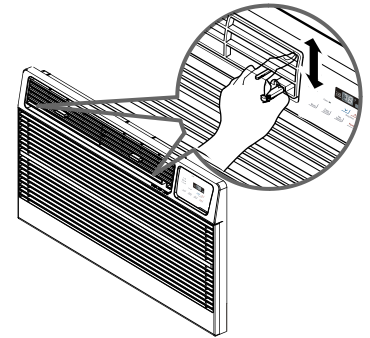
• HORIZONTAL AIR-DIRECTION CONTROL

The horizontal air direction is adjusted by moving the vertical louver. The lever for the vertical louver is located in the right and left side of the air discharge.



• VERTICAL AIR-DIRECTION CONTROL

The vertical air direction is adjusted by moving the horizontal louver.



Inserting the Remote Control Battery

1. Remove the cover from the back of the remote controller.
2. Insert one battery.
 - Be sure that the (+) and (-) directions are correct.
 - Be sure that the battery is new.
3. Reattach cover.
 - Do not use rechargeable battery.
 - In order to prevent discharge, remove the battery from the remote control if the air conditioner is not going to be used for an extended period of time

Keep the remote control away from extremely hot or humid places.
 To maintain optimal operation of the remote control, the remote sensor should not be exposed to direct sunlight.



Care and Maintenance

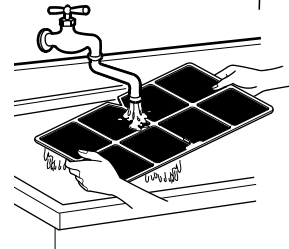
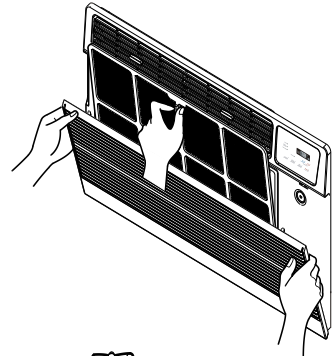
TURN THE AIR CONDITIONER OFF AND REMOVE THE PLUG FROM THE POWER OUTLET.

Air Filter Cleaning

The air filter should be checked at least twice a month to see if cleaning is necessary. Trapped particles in the filter will build up and block the airflow. This reduces the cooling capacity and can also cause an accumulation of frost on the cooling coils.

If the filter becomes torn or damaged you should replace it immediately. Replacement filters are available from your salesperson, dealer, and authorized customer service centers.

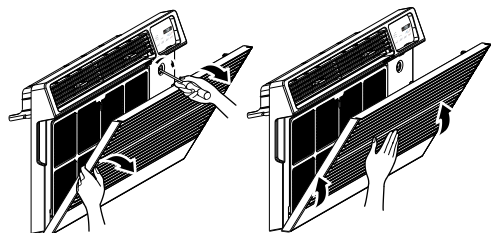
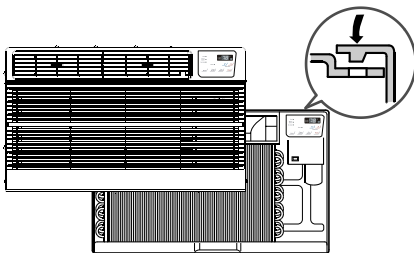
1. Open the inlet grille downward by grasping the top outside edges of the inlet grille and pulling it towards you.
2. Remove the air filter from the front grille assembly by pulling the air filter up slightly.
3. Wash the filter using lukewarm water and a mild detergent.
4. Gently shake all excess water from the filter. Make sure the filter is completely dry and replace the filter back into the unit.



How to Attach Front Grille to Cabinet

The front grille can be removed for cleaning or to check the model and serial numbers. For your safety, you should attach the front grille using the following procedures.

1. Pull down front grille from the cabinet top.
2. Push front grille's tips toward the cabinet in order to insert front grille's tabs into the cabinet.
3. Open the inlet grille.
4. Tighten the screw through the front grille into the plate of control box.
5. Close inlet grille.

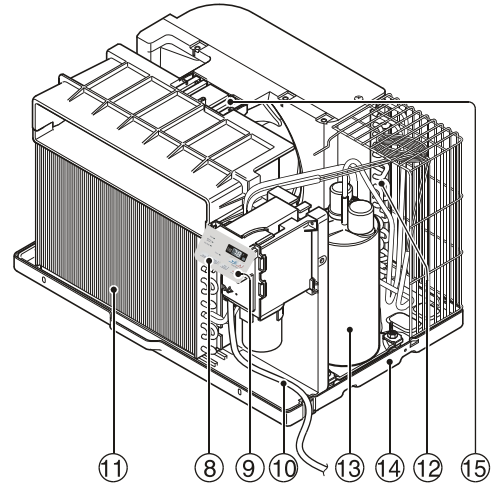
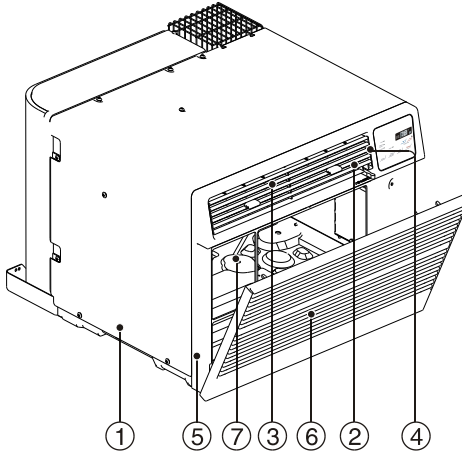


Parts

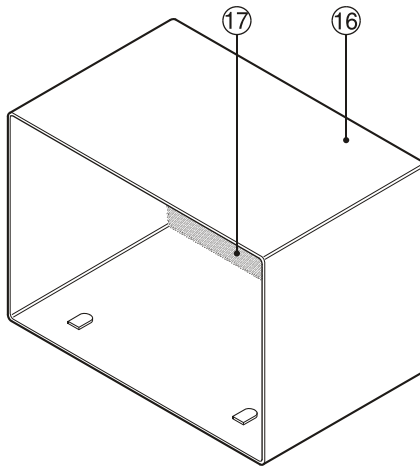
Learning part name prior to installation will help you understand the installation procedure.

Parts

The Unit



The Sleeve with the Rear Grille (sold separately)



- | | |
|--|--|
| 1. CABINET | 11. EVAPORATOR |
| 2. HORIZONTAL AIR DEFLECTOR
(Vertical Louver) | 12. CONDENSER |
| 3. VERTICAL AIR DEFLECTOR
(Horizontal Louver) | 13. COMPRESSOR |
| 4. AIR DISCHARGE | 14. BASE PAN |
| 5. FRONT GRILLE | 15. BRACE |
| 6. INLET GRILLE (Air Intake) | 16. SLEEVE ASSEMBLY
(Including Expanded Aluminum Rear grille) |
| 7. AIR FILTER | 17. REAR GRILLE |
| 8. CONTROL BOARD | |
| 9. BUTTONS | |
| 10. POWER CORD | |

Installation

Remove packing sheet from the back of the sleeve, and packing corner and blue tape from the air conditioner.

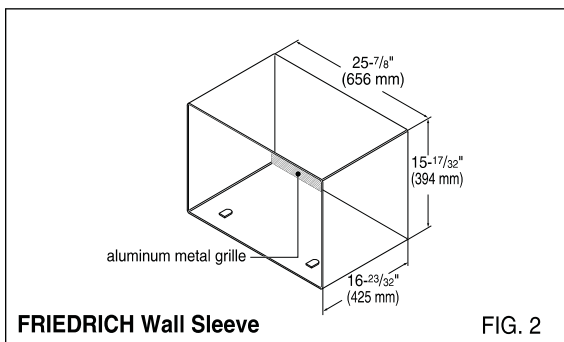
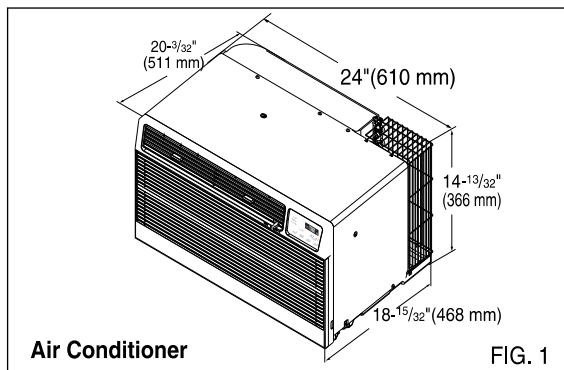
INSTALLATION REQUIREMENTS

If you use an existing wall sleeve, you should measure its dimensions.

Install the new air conditioner according to these installation instructions to achieve the best performance.

All wall sleeves used to mount the new air conditioner must be in good structural condition and have a rear grille to secure the new air conditioner. (FIG. 1)

Installing the FRIEDRICH USC sleeve ensures optimal performance of the new air conditioner. (FIG. 2)

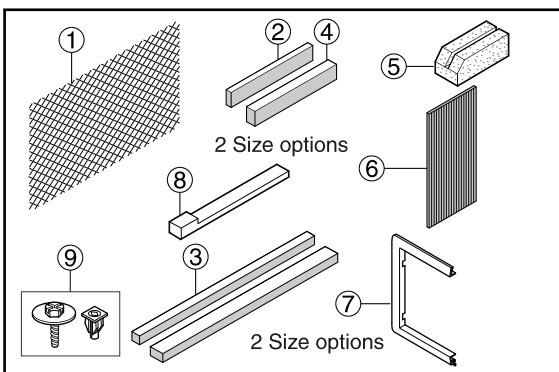


ELECTRICAL SERVICE

Check your available electrical service. The power supply available must be the same as that shown on the unit nameplate (found on left side of cabinet).

All models are equipped with a 3-prong service plug to provide proper service and safe positive grounding. Do not change plug in any way. Do not use an adapter plug. If your present wall outlet does not match your plug, call a qualified electrician to make the necessary corrections. SAVE CARTON for storage and this OWNER'S MANUAL for future reference. The carton is the best way to store unit during winter or when not in use.

INSTALLATION HARDWARE



ITEM	NAME OF PARTS	Q'TY
①	PLASTIC GRILLE	1
②	VERTICAL INSULATION STRIP	1
③	AROUND INSULATION STRIPS	2
④	HORIZONTAL INSULATION STRIP	1
⑤	SUPPORT BLOCK	2
⑥	BAFFLE	1
⑦	TRIM FRAME	2
⑧	SHIM	2
⑨	PLASTIC NUTS AND WASHER SCREWS	4

CAUTION

To avoid risk of personal injury, property damage, or product damage due to the weight of this device and sharp edges that may be exposed:

- Air conditioners covered in this manual pose an excessive weight hazard. Two or more people are needed to move and install the unit. To prevent injury or strain, use proper lifting and carrying techniques when moving unit.
- Carefully inspect location where air conditioner will be installed. Be sure it will support the weight of the unit over an extended period of time.
- Handle air conditioner with care. Wear protective gloves whenever lifting or carrying the unit. AVOID the sharp metal fins of front and rear coils.
- Make sure air conditioner does not fall during installation.

REQUIRED TOOLS:

- Tight Fitting gloves
- Standard screwdriver
- Phillips screwdriver
- Pliers
- Sharp knife
- 3/8-inch open end wrench or adjustable wrench
- 1/4-inch hex socket and ratchet
- Tape measure
- Electric drill
- 1/4-inch drill bit

INSTALLATION

CAUTION

Installing the FRIEDRICH USC sleeve ensures optional performances of the unit.

If you decide to keep the existing wall sleeve, you have to redirect the louvers at the back of the wall sleeve. Refer to FIG. 9 on p14. The use of pliers is recommended. If you DO NOT redirect, you run the risk of poor performance or premature product failure. This is not covered under the terms of the FRIEDRICH warranty.

- Pick a location which will allow the conditioned air to blow into the area you want. Good installation with special attention to the proper position of the unit will lessen the chance that service will be needed.

ITEMS IN INSTALLATION HARDWARE

You may not need all parts in the kit. Discard unused parts

ITEM (inches)		Qty.
Plastic grille	26 ³ / ₄ x 16 ¹ / ₂	1
Vertical insulation strip	15 ⁹ / ₁₆ x 1 ³ / ₈ x 1 ³ / ₈	1
Around Insulation Strips	67 ¹ / ₈ x 1 ³ / ₈ x 2 ⁵ / ₃₂	1
	59 ²⁷ / ₃₂ x 1 ³ / ₈ x 1 ³ / ₈	1
Horizontal Insulation Strip	23 ⁷ / ₃₂ x 1 ³ / ₈ x 1 ³ / ₁₆	1
Support Block	1 ³ / ₄ x 1 ³ / ₈ x 4 ⁵ / ₁₆	2
Baffle	14 x 4 ¹ / ₂ x 1 ¹ / ₈	1
Shim	11 ¹³ / ₁₆ x 1 x 3 ¹ / ₄	2
Trim Frame		2
Washer Screw		4
Nuts(Plastic)		4
Rear Air Deflector		1

HOW TO INSTALL

- 1 Before installing the unit, identify the existing wall sleeve from the list below.

Brand	Wall Sleeve Dimensions (inches)		
	Width	Height	Depth
White-Westinghouse Frigidaire Carrier (52F series)	25-1/2	15-1/4	16, 17-1/2 or 22
General Electric /Hotpoint	26	15-5/8	16-7/8
Whirlpool	25-7/8	16-1/2	17-1/8 or 23
Fedders/Emerson Friedrich WSC	27	16-3/4	16-3/4 or 19-3/4
FRIEDRICH USC	25-7/8	15-17/32	16-23/32
Emerson/Fedders	26-3/4	15-3/4	15
Carrier (51S Series)	25-3/4	16-7/8	18-5/8

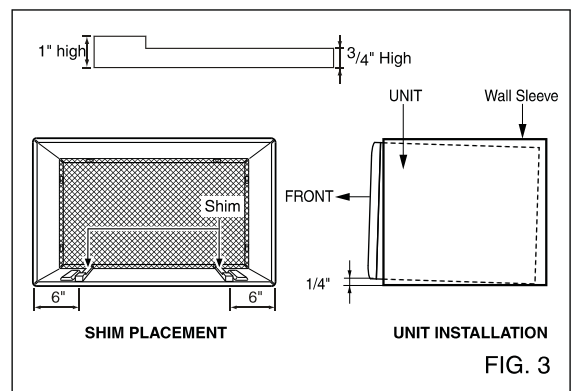
NOTE: All wall sleeves used to mount the new Air Conditioner must be in sound structural condition and have a rear grille that securely attaches to sleeve, or rear flange that serves as a stop for the Air Conditioner.

- 2 Remove old air conditioner from existing wall sleeve.
- 3 Clean the interior of an existing sleeve. (Do not disturb seals.)
- 4 Wall sleeve must be securely fastened in wall before installing the air conditioner. Use the nails or screws through sleeve into wall, if needed. Repaint sleeve if needed.
- 5 Prepare the wall sleeve for installation of the unit. If you plan to use your existing wall sleeve, and it is not FRIEDRICH, use procedure B or C below.

Procedure	Brand	Depth(inches)
A(page 13)	FRIEDRICH USC	16-23/32
B (pages 14-15)	White-Westinghouse Frigidaire Carrier (52F series)	16, 17-1/2 or 22
	General Electric /Hotpoint	16-7/8
	Whirlpool	17-1/8 or 23
	Carrier (51S series)	18-5/8
C (pages 16-17)	Fedders/Emerson	16-3/4
	Friedrich WSC	or 19-3/4
	Emerson/Fedders	15

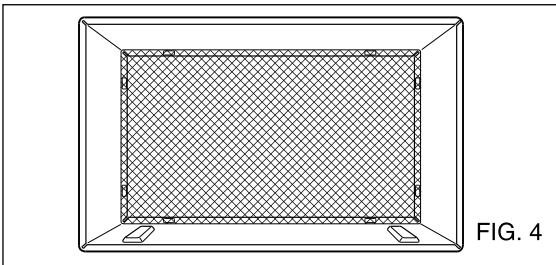
- 6 Install new unit into wall sleeve.

CAUTION: When installation is completed, replacement unit MUST have a rearward slope as shown. To achieve 1/4" slope, remove the backing from the 11-13/16" shim strips and attach them as shown below in Fig. 3. Place the higher portion of shim to the front of the rib on base of wall sleeve.

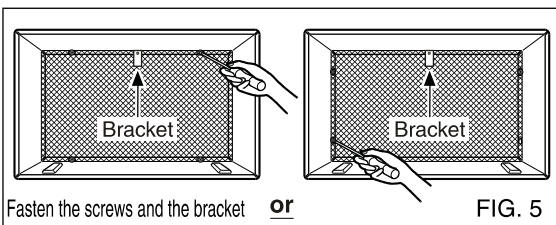


PROCEDURE A

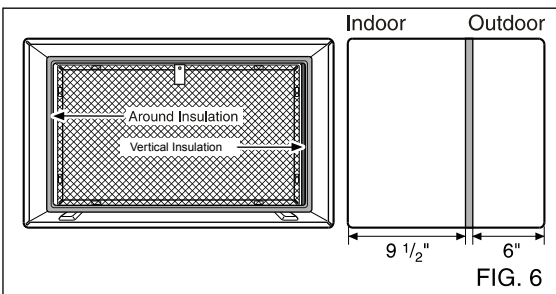
- 1** If you are using the new sleeve (optionally supplied with your unit), skip to step 3. Otherwise, install the plastic grille from the kit. Cut the plastic grille to 25-1/2" wide and 15-1/4" high. Place the plastic grille to the inside of the wall sleeve at the rear flange.



- 2** Fasten the 4 washer screws to secure the grille to the wall sleeve. If you need plastic nuts to mount plastic grille to the inside of the wall sleeve, there are plastic nuts in the installation kit. The nuts are installed from the inside of the sleeve and are pressing into the square holes of the rear flanges. Fasten the bracket to the upside of the wall sleeve using the washer screw. The bracket prevents the unit from leaving the sleeve.

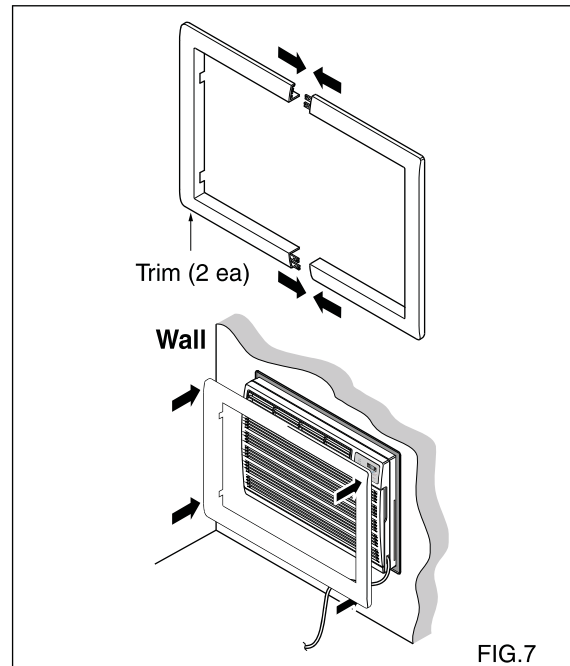


- 3** Remove the backing from the Vertical Insulation strip 15⁹/₁₆ x 1³/₈ x 1³/₈ and attach that to the inside right of the sleeve as shown below. Remove the backing from the Around Insulation strip 67¹/₈ x 1³/₈ x 25⁵/₃₂ and attach that to the inside front of the sleeve as shown below.



- 4** Install the new unit into the wall sleeve with 3/4" gap between sleeve and unit on left side (facing unit front). Next insert Around Insulation Strip 59 27/32" x 1 3/8" x 1 3/8" between gap in unit and sleeve pushing gasket 1" inside starting from lower left around top of unit down to lower right side. Tape off all around unit and sleeve.

- 5** To assemble trim, snap the tab of each piece into the slot of the other piece as shown below. Slide trim over the front of the air conditioner until trim is flush with sleeve as shown below.

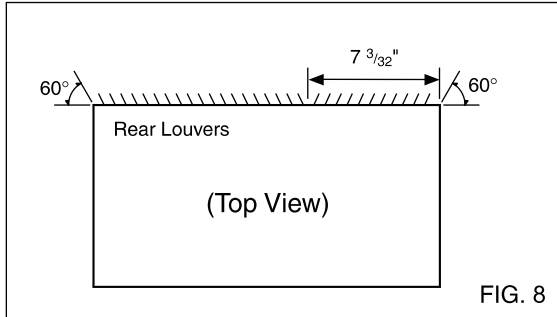


CAUTION

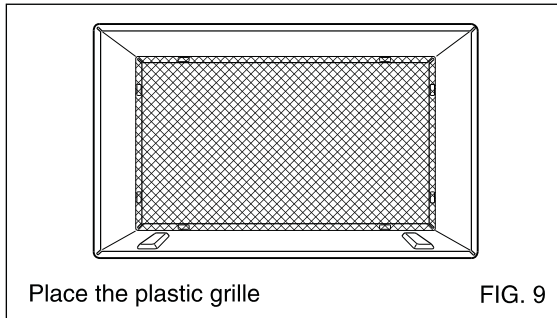
- Air conditioners covered in this manual pose an excessive weight hazard. Two or more people are needed to move and install the unit. To prevent injury or strain, use proper lifting and carrying techniques when moving unit.
- When handling the air conditioner, be careful to avoid cuts from sharp metal fins on front and rear coils.
- Make sure air conditioner does not fall during removal.
- If unit does not operate after installation check, to be sure the circuit interrupter has not been tripped. Refer to the Troubleshooting guide for reset procedure.

PROCEDURE B

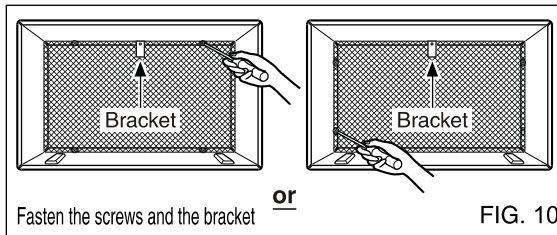
- 1 Redirect the louvers at the back of the wall sleeve to 60° angle as shown in the FIG 8. The use of pliers is recommended.



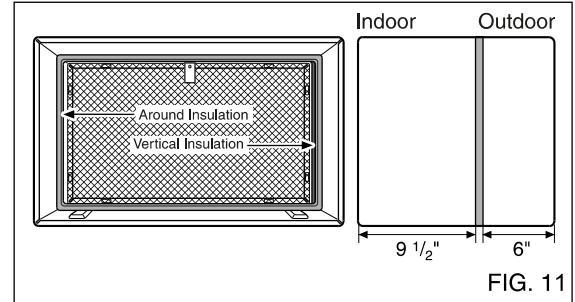
- 2 If the wall sleeve already has a rear grille, skip to step 4. If the wall sleeve does not have a rear grille or louvered panel, install the plastic grille from the kit. Cut the plastic grille to 25-1/2" wide and 15-1/4" high. Place the plastic grille to the inside of the wall sleeve at the rear flange.



- 3 Fasten the 4 washer screws to secure the grille to the wall sleeve. If you need plastic nuts to mount plastic grille to the inside of the wall sleeve, there are plastic nuts in the installation kit. The nuts are installed from the inside of the sleeve and are pressed into the square holes of the rear flanges. Fasten the bracket to the upside of the wall sleeve using the washer screw. The bracket prevents the unit from leaving the sleeve.



- 4 Remove the backing from the Vertical Insulation strip 15⁹/₁₆ x 1³/₈ x 1³/₈ and attach that to the inside right of the sleeve as shown below. Remove the backing from the Around Insulation strip 6⁷/₈ x 1³/₈ x 2⁵/₃₂ and attach that to the inside front of the sleeve as shown below.

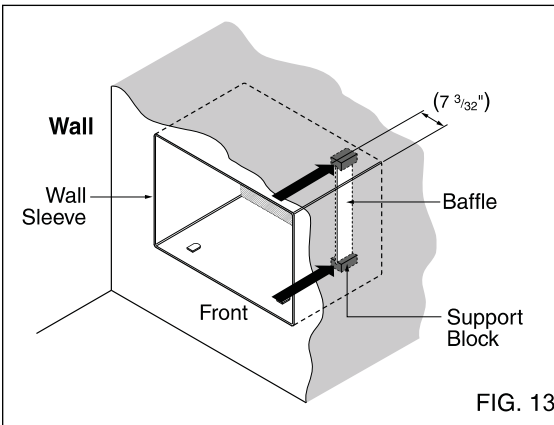


- 5 If the depth of your existing wall sleeve is less than or equal to 18", skip to step 7. Otherwise, cut the baffles and the support blocks according to length "A" in the table below.

Depth "D" of the existing wall sleeve (inches)	Length "A" (inches)	
18 < D ≤ 18- ⁵ / ₈	3/4	<p>Support Block</p> <p>Baffle</p> <p>FIG. 12</p>
18- ⁵ / ₈ < D ≤ 19- ³ / ₄	1- ³ / ₄	
19- ³ / ₄ < D ≤ 22	4	

PROCEDURE B CONTINUED

- 6 Remove the backing from the support blocks and attach them to the inside of the wall sleeve as shown FIG 13. Slide the baffle into slots of the support blocks.



- 7 Install the new unit into the wall sleeve.
- 8 Assemble trim as described in Step 5, Procedure A.

CAUTION

- Air conditioners covered in this manual pose an excessive weight hazard. Two or more people are needed to move and install the unit. To prevent injury or strain, use proper lifting and carrying techniques when moving unit.
- When handling the air conditioner, be careful to avoid cuts from sharp metal fins on front and rear coils.
- Make sure air conditioner does not fall during removal.
- If unit does not operate after installation check, to be sure the circuit interrupter has not been tripped. Refer to the Troubleshooting guide for reset procedure.

PROCEDURE C

- 1 Redirect the louvers at the back of the wall sleeve to 60° angle as shown in the FIG 14. The use of pliers is recommended.

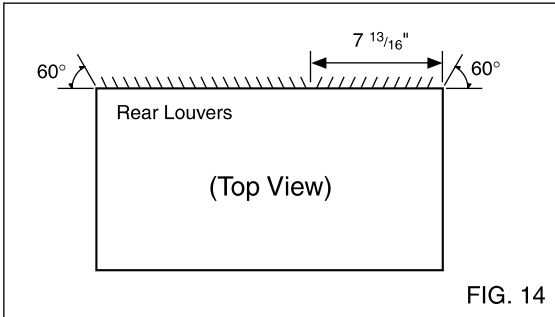
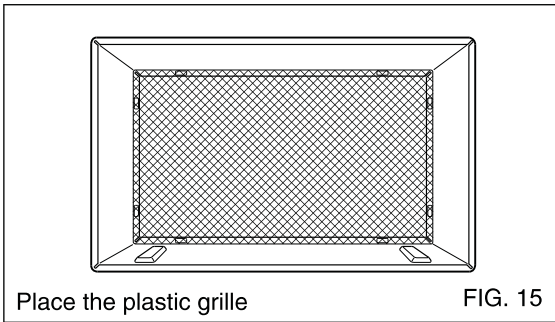


FIG. 14

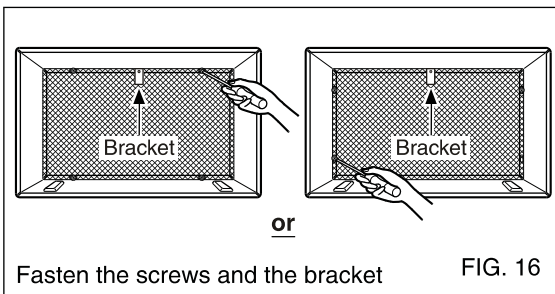
- 2 If the wall sleeve already has a rear grille, skip to step 4. If the wall sleeve does not have a rear grille or louvered panel, install the plastic grille from the kit. Cut the plastic grille to 26-1/2" wide and 15-1/2" high or to the sleeve dimensions. Place the plastic grille to the inside of the wall sleeve at the rear flange.



Place the plastic grille

FIG. 15

- 3 Fasten the 4 washer screws to secure the grille to the wall sleeve. If you need plastic nuts to mount plastic grille to the inside of the wall sleeve, there are plastic nuts in the installation kit. The nuts are installed from the inside of the sleeve and are pressed into the square holes of the rear flanges. Fasten the bracket to the upside of the wall sleeve using the washer screw. The bracket prevents the unit from leaving the sleeve.



Fasten the screws and the bracket

FIG. 16

- 4 Remove the backing from the Horizontal Insulation strip $23^{7/32} \times 1^{3/8} \times 1^{3/16}$ and attach that to the inside right of the sleeve as shown below. Remove the backing from the Around Insulation strip $59^{27/32} \times 1^{3/8} \times 1^{3/8}$ and attach that to the inside front of the sleeve as shown below.

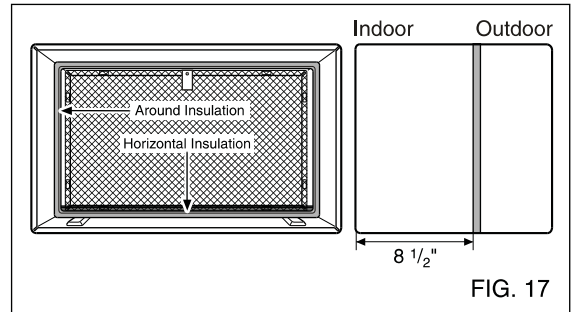


FIG. 17

- 5 If the depth of your existing sleeve is less than or equal to 18", skip to step 7. Otherwise, cut the baffles and the support blocks according to Length "A" in the table below.

Depth "D" of the existing wall sleeve (inches)	Length "A" (inches)
$18 < D \leq 18^{-5/8}$	$3/4$
$18^{-5/8} < D \leq 19^{-3/4}$	$1^{-3/4}$
$19^{-3/4} < D \leq 22$	4

FIG. 18

- 6 Remove the backing from the support blocks and attach them to the inside of the wall sleeve as shown FIG 9. Slide the baffle into slots of the support blocks

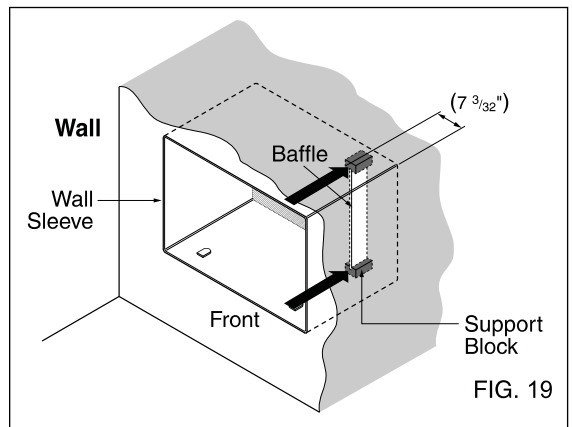
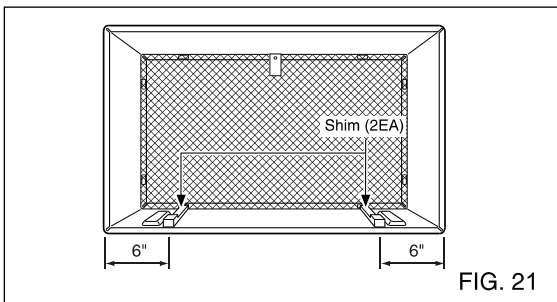
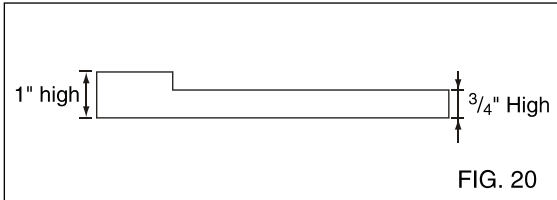


FIG. 19

PROCEDURE C CONTINUED

- 7** To achieve rearward slope for unit draining, remove the backing from the 11³/₁₆" shim strips and attach them as shown below in Fig. 21. The higher portion of shim is to be placed in front of the rib on the base of wall sleeve.



- 8** Install the new unit into the wall sleeve
- 9** Assemble trim as described in Step 6, Procedure A.

CAUTION

- Air conditioners covered in this manual pose an excessive weight hazard. Two or more people are needed to move and install the unit. To prevent injury or strain, use proper lifting and carrying techniques when moving unit.
- When handling the air conditioner, be careful to avoid cuts from sharp metal fins on front and rear coils.
- Make sure air conditioner does not fall during removal.
- If unit does not operate after installation check, to be sure the circuit interrupter has not been tripped. Refer to the Troubleshooting guide for reset procedure.

Before you call for service...

Trouble Shooting Tips

*Troubleshooting Tips Save Time and Money!
Review the chart below first and you may not need to call for service.*

Normal Operation

- You may hear a pinging noise caused by water being picked up and thrown against the condenser on rainy days or when the humidity is high. This design feature helps remove moisture and improve efficiency.
- You may hear the thermostat click when the compressor cycles on and off.
- Water will collect in the base pan during high humidity or on rainy days. The water may overflow and drip from the outdoor side of the unit.
- The fan may run even when the compressor does not.

Abnormal Operation

<i>Problem</i>	<i>Possible Causes</i>	<i>What To Do</i>
Air conditioner does not start	■ <i>The air conditioner is unplugged.</i>	• Make sure the air conditioner plug is pushed completely into the outlet.
	■ <i>The fuse is blown/circuit breaker is tripped.</i>	• Check the house fuse/circuit breaker box and replace the fuse or reset the breaker.
	■ <i>Power failure.</i>	• If power failure occurs, turn the mode control to OFF . When power is restored, wait 3 minutes to restart the air conditioner to prevent tripping of the compressor overload.
Air conditioner does not cool as it should	■ <i>Airflow is restricted.</i>	• Make sure there are no curtains, blinds, or furniture blocking the front of the air conditioner.
	■ <i>The THERMOSTAT may not be set high enough.</i>	• Push temperature setting button to the coolest temperature setting 60.
	■ <i>The air filter is dirty.</i>	• Clean the filter at least every 2 weeks. See the operating instructions section.
	■ <i>The room may have been hot.</i>	• When the air conditioner is first turned on, you need to allow time for the room to cool down.
	■ <i>Cold air is escaping.</i>	• Check for open furnace floor registers and cold air returns. • Set the air conditioner's vent to the closed position.
Air conditioner freezing up	■ <i>Cooling coils have iced up.</i>	• See Air Conditioner Freezing Up below.
	■ <i>Ice blocks the air flow and stops the air conditioner from cooling the room.</i>	• Set the mode control at Med Fan or High Cool with the thermostat towards the left.



F R I E D R I C H

Friedrich Air Conditioning Company
10001 Reunion Place, Suite 500
San Antonio, TX 78216
800.541.6645
www.friedrich.com

ENGLISH

ROOM AIR CONDITIONERS LIMITED WARRANTY

FIRST YEAR

ANY PART: If any part supplied by FRIEDRICH fails because of a defect in workmanship or material within twelve months from date of original purchase, FRIEDRICH will repair the product at no charge, provided room air conditioner is reasonably accessible for service. Any additional labor cost for removing inaccessible units and/or charges for mileage related to travel by a Service Agency that exceeds 25 miles one way will be the responsibility of the owner. This remedy is expressly agreed to be the exclusive remedy within twelve months from the date of the original purchase.

SECOND THROUGH FIFTH YEAR

SEALED REFRIGERANT SYSTEM: If the Sealed Refrigeration System (defined for this purpose as the compressor, condenser coil, evaporator coil, reversing valve, check valve, capillary, filter drier, and all interconnecting tubing) supplied by FRIEDRICH in your Room Air Conditioner fails because of a defect in workmanship or material within sixty months from date of purchase, FRIEDRICH will pay a labor allowance and parts necessary to repair the Sealed Refrigeration System; **PROVIDED** FRIEDRICH will not pay the cost of diagnosis of the problem, removal, freight charges, and transportation of the air conditioner to and from the Service Agency, and the reinstallation charges associated with repair of the Sealed Refrigeration System. All such cost will be the sole responsibility of the owner. This remedy is expressly agreed to be the exclusive remedy within sixty months from the date of the original purchase.

APPLICABILITY AND LIMITATIONS: This warranty is applicable only to units retained within the Fifty States of the U.S.A., District of Columbia, and Canada. This warranty is not applicable to:

1. Air filters, fuses, batteries and the front grille removal tool.
2. Products on which the model and serial numbers have been removed.
3. Products which have defects or damage which results from improper installation, wiring, electrical current characteristics, or maintenance; or caused by accident, misuse or abuse, fire, flood, alterations and/or misapplication of the product and/or units installed in a corrosive atmosphere, default or delay in performance caused by war, government restrictions or restraints, strikes, material shortages beyond the control of FRIEDRICH, or acts of God.

OBTAINING WARRANTY PERFORMANCE: Service will be provided by the **FRIEDRICH Authorized Dealer or Service Organization** in your area. They are listed in the Yellow Pages. If assistance is required in obtaining warranty performance, write to: Friedrich Air Conditioning Co.,ATTN:Warranty Registration,10001 Reunion Place,Ste.500,San Antonio,TX 78216.

LIMITATIONS: THIS WARRANTY IS GIVEN IN LIEU OF ALL OTHER WARRANTIES. Anything in the warranty notwithstanding, ANY IMPLIED WARRANTIES OF FITNESS FOR PARTICULAR PURPOSE AND/OR MERCHANTABILITY SHALL BE LIMITED TO THE DURATION OF THIS EXPRESS WARRANTY. MANUFACTURER EXPRESSLY DISCLAIMS AND EXCLUDES ANY LIABILITY FOR CONSEQUENTIAL OR INCIDENTAL DAMAGE FOR BREACH OF ANY EXPRESSED OR IMPLIED WARRANTY.

Performance of Friedrich's Warranty obligation is limited to one of the following methods:

1. Repair of the unit
2. A refund to the customer for the prorated value of the unit based upon the remaining warranty period of the unit.
3. Providing a replacement unit of equal value

The method of fulfillment of the warranty obligation is at the sole discretion of Friedrich Air Conditioning.

NOTE: Some states do not allow limitations on how long an implied warranty lasts, or do not allow the limitation or exclusion of consequential or incidental damages, so the foregoing exclusions and limitations may not apply to you.

OTHER: This warranty gives you specific legal rights, and you may also have other rights which vary from state to state.

PROOF OF PURCHASE: Owner must provide proof of purchase in order to receive any warranty related services.

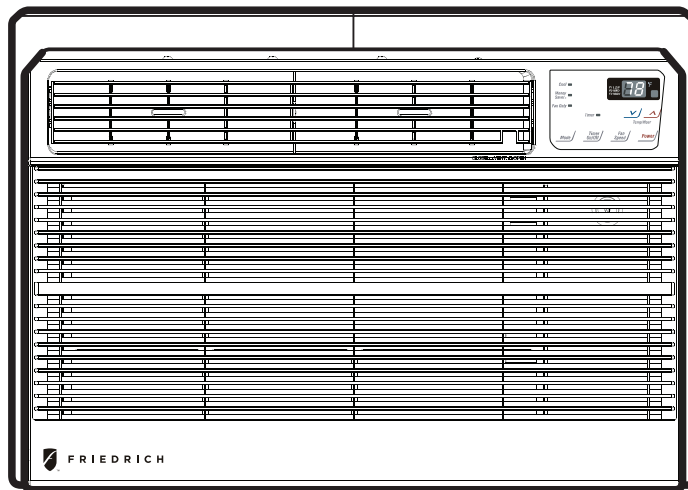
All service calls for explaining the operation of this product will be the sole responsibility of the consumer.

All warranty service must be provided by an **Authorized FRIEDRICH Service Agency**, unless authorized by FRIEDRICH prior to repairs being made.



F R I E D R I C H

Guide d'installation et d'utilisation



Uni-Fit

115 Volts • US08 • US10 • US12
230 Volts • US10 • US12 • US14

Vous trouverez l'information concernant l'appareil sur la plaque signalétique située sur le côté de l'appareil, près du panneau de commande. Pour enregistrer votre climatiseur, complétez et retournez la carte d'enregistrement ci-jointe, ou enregistrez-vous en ligne sur le site www.friedrich.com (Etats-Unis uniquement). Pour future référence, veuillez noter les informations suivantes :

NUMÉRO DE MODÈLE

NUMÉRO DE SÉRIE

DATE D'ACHAT

Mesures de Sécurité

Mesures de sécurité3

Propriétés électriques

Propriétés électriques5

A propos des commandes du climatiseur

Contrôles6
 Contrôle de la Ventilation...8
 Direction de l'air8

Entretien

Nettoyage du filtre à air9
 Comment installer le panneau avant sur le caisson9

Différentes parties et Installation

Différentes parties.....10
 Installation11
 Comment procéder à l'installation.....12
 Procédure13-17

Avant de faire appel à un dépanneur ...

Astuces de dépannage.....18
 Fonctionnement normal.....18
 Fonctionnement anormal...18

Garantie19

**LISEZ ATTENTIVEMENT CE MANUEL**

Vous y trouverez quantités de conseils pratiques pour bien utiliser et entretenir votre climatiseur. Un entretien préventif léger de votre part vous économisera du temps et de l'argent tout au long de la vie de votre climatiseur.

Vous trouverez beaucoup de solutions aux problèmes les plus communs dans la section dépannage. Vérifiez bien cette partie avant de faire appel à un dépanneur, vous trouverez peut-être la réponse à votre question.

**AVERTISSEMENT**

- Faites appel à un technicien agréé pour toute réparation ou entretien de l'appareil
- Le climatiseur n'a pas été conçu pour être utilisé par des enfants sans surveillance.



Mesures de Sécurité

Pour éviter les blessures et les dommages matériels, veuillez à bien suivre les instructions suivantes.

■ Ignorer les instructions et mal faire fonctionner l'appareil peut provoquer des blessures et des dommages.

Les symboles ci-dessous attirent votre attention sur les instructions les plus importantes :



ATTENTION : Ce symbole indique la possibilité de blessures graves ou de décès.



AVERTISSEMENT : Ce symbole indique la possibilité de blessures ou de dommages matériels.

■ La signification des symboles suivants.



Ne jamais faire ça.



Toujours faire ça.



ATTENTION

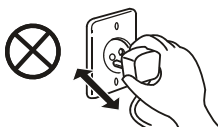
Brancher correctement la prise de courant.

- Dans le cas contraire, cela pourrait provoquer une décharge électrique ou un incendie dû au dégagement de chaleur.



Ne pas allumer ni éteindre le climatiseur en branchant ou débranchant la prise de courant

- Cela pourrait provoquer une décharge électrique ou un incendie dû au dégagement de chaleur.



Ne pas abîmer le câble d'alimentation, et ne pas le remplacer par un câble quelconque

- Cela pourrait provoquer une décharge électrique ou un incendie.
- Si le câble d'alimentation est endommagé, il doit être remplacé soit par le constructeur soit par un réparateur agréé.



Ne pas modifier la longueur du câble d'alimentation, et ne pas le brancher à une multiprise déjà reliée à d'autres appareils

- Cela pourrait provoquer une décharge électrique ou un incendie dû au dégagement de chaleur.



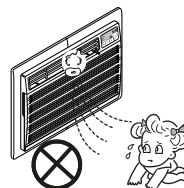
Ne pas mettre en marche l'appareil avec des mains mouillées ou dans un environnement humide.

- Cela pourrait provoquer une décharge électrique.



Ne pas diriger le flux d'air directement vers les occupants de la pièce

- Cela pourrait nuire à votre santé.



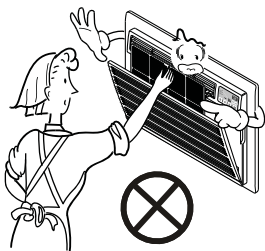
Pour le nettoyage de l'intérieur, veuillez contacter un Centre de Service Agréé ou un concessionnaire. N'utilisez pas de détergent puissants qui provoquent la corrosion ou endommagent l'unité.

- Les détergents puissants peuvent aussi provoquer des pannes, des incendies ou des chocs électriques.

! PRECAUTION

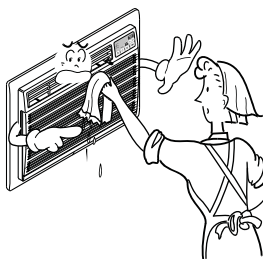
Lorsque le filtre à air doit être retiré, ne pas toucher les parties métalliques de l'appareil.

- Elles sont coupantes et peuvent provoquer des blessures.



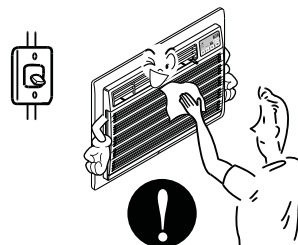
Ne pas nettoyer le climatiseur avec de l'eau.

- l'eau pourrait s'introduire dans l'appareil et en endommager l'isolation.



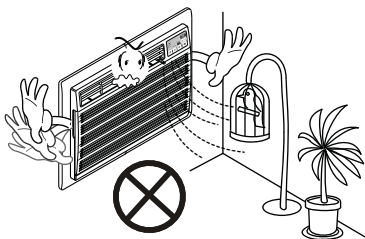
Lorsque l'appareil doit être nettoyé, éteignez-le et coupez le disjoncteur.

- Le ventilateur tourne à très grande vitesse quand le climatiseur est en marche, d'où risque de blessure.



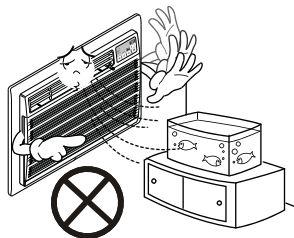
Ne pas exposer un animal domestique ou une plante directement au flux d'air.

- Cela pourrait nuire à la santé de l'animal ou de la plante



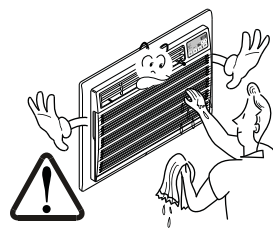
Ne pas en faire une utilisation détournée.

- Ne pas utiliser ce climatiseur pour conserver de la nourriture, des animaux domestiques, des plantes ou des objets d'art. Cela pourrait les endommager, etc.



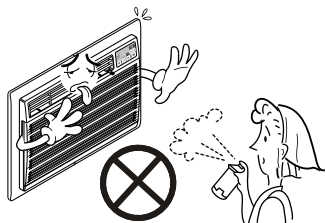
Ne pas toucher avec des mains mouillées.

- Cela pourrait provoquer une décharge électrique.



Ne pas appliquer d'insecticide ni de aérosol inflammable.

- Cela pourrait provoquer un incendie ou abîmer le caisson.



Si le liquide des piles entre en contact avec votre peau ou vos vêtements, nettoyez-les bien avec de l'eau. N'utilisez pas la télécommande si les piles ont subi des fuites.

- Les produits chimiques à l'intérieur des piles pourraient vous causer des brûlures ou d'autres ennuis de santé.



Si vous ingurgitez le liquide de la pile, lavez-vous les dents et consultez votre dentiste. Ne pas utiliser la télécommande si les piles ont fuit.

- Les produits chimiques à l'intérieur des piles pourraient vous causer des brûlures ou d'autres ennuis de santé.



Propriétés Électriques

Propriétés électriques

115V~			230V~		Le câble d'alimentation peut être muni d'un interrupteur. Un bouton de test et un bouton de remise en circuit se trouvent sur le boîtier de la prise de courant. L'appareil devrait être testé périodiquement en appuyant d'abord sur le bouton TEST puis sur le bouton RESET (remise en circuit). Si le fait d'appuyer sur le bouton TEST ne déclenche aucune action, ou si le bouton RESET ne reste pas enfoncé, n'utilisez pas votre climatiseur et contactez un technicien qualifié.

UTILISATION DE RALLONGES ELECTRIQUES

Pour prévenir les risques potentiels, n'utilisez pas de rallonges électriques.

Utilisez les prises murales	Alimentation électrique
<p>125V standard, prise de terre à 3 broches de 15A, courant alternatif 125V</p>	<p>Utilisez 15 ampères. Fusible temporisé ou 15 ampères. Disjoncteur.</p>
<p>250V standard, prise de terre à 3 broches de 15A, courant alternatif 250V</p>	
<p>250V standard, prise de terre à 3 broches de 20A, courant alternatif 250V</p>	<p>Utilisez 20 ampères. Fusible temporisé ou 20 ampères. Disjoncteur.</p>

⚠ ATTENTION

Risque de décharge électrique
 Brancher dans une prise de terre à 3 broches
 Ne pas retirer le contact de mise à la terre.
 Ne pas utiliser d'adaptateur
 Ne pas utiliser de rallonge électrique
 Le non-respect de ces instructions peut provoquer une décharge électrique, un incendie ou un décès.

Tout câblage doit être fait en conformité avec les réglementations et les codes électriques locaux.

REMARQUE: le câblage domestique en aluminium peut poser quelques problèmes. Contacter un technicien qualifié.

■ SECURITE

INSTRUCTIONS DE MISE A LA TERRE.

Le climatiseur est équipé d'une prise à trois broches, qui doit être branchée dans une prise murale de terre à 3 broches correspondante, pour prévenir tout risque de décharge.

FUSIBLE

Utilisez un fusible temporisé ou un disjoncteur. Reportez-vous à la plaque signalétique pour les instructions relatives à l'alimentation électrique.

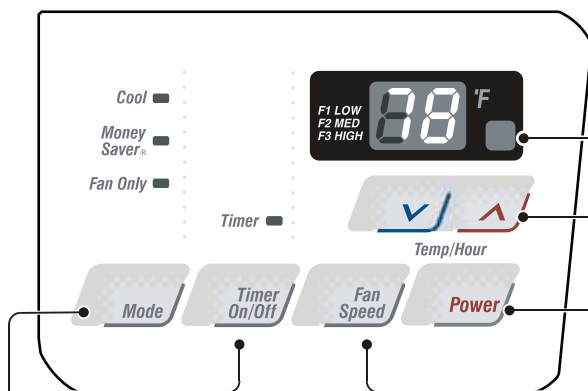
CLIMATISEURS 208/230V

Ces appareils sont équipés d'une prise à trois broches, qui doit être branchée dans une prise murale de terre à 3 broches correspondante, pour prévenir tout risque de décharge. Si vous ne possédez pas de prise de courant adéquate chez vous, vous devez en faire installer une, par un électricien qualifié, répondant aux normes établies par le Code Electrique National et les codes locaux.

A propos des commandes du climatiseur



Contrôles



RÉCEPTION SIGNAL DE LA COMMANDE À DISTANCE

RÉGLAGE TEMPÉRATURE

- Utilisez ce bouton pour contrôler automatiquement la température de la pièce. La température peut être réglée entre 60°F et 86°F avec une précision au degré près.
- La programmation apparaît sur l'écran.

MISE SOUS TENSION

- Pour allumer le climatiseur, appuyez sur ce bouton.
- Pour éteindre le climatiseur, appuyez à nouveau sur ce bouton.
- Ce bouton est prioritaire sur n'importe quel autre bouton.
- Quand vous allumez le climatiseur pour la première fois, l'appareil est en position Froid, le ventilateur en vitesse rapide et la température réglée à 72°F.

VITESSE DU VENTILATEUR

- Chaque fois que vous appuyez sur ce bouton, la position change dans l'ordre qui suit {Rapide → Lente → Moyenne → Rapide}

MINUTERIE (TIMER)

- HEURE D'ARRÊT (SHUT-OFF TIME)
 - Vous utiliserez d'habitude la fonction Heure d'Arrêt(shut-off time) lorsque vous dormez.
 - Si l'appareil se fonctionne, utilisez la Minuterie pour régler le nombre des heures jusqu'il s'arrête.
 - Pour votre confort de sommeil, une fois que l'heure est réglée, la Température de réglage augmentera 2°F après 30 minutes, et de nouveau après encore 30 minutes.
 - Appuyez sur le bouton Minuterie pour avancer le réglage de : 1 Heure → 2 Heures → → 24Heures au maximum.
- HEURE DE DEMARRAGE (START TIME)
 - Si l'appareil est arrêté, utilisez la Minuterie pour régler le nombre des heures avant qu'il démarre.
 - Appuyez sur le bouton Minuterie pour avancer le réglage de : 1 Heure → 2 Heures → → 24Heures au maximum.

MODE

- Appuyez sur ce bouton pour changer le mode de fonctionnement. La position change dans l'ordre qui suit COOL → MONEY SAVER → FAN
- COOL :
 - le ventilateur tourne en permanence pour assurer un refroidissement normal continu.
- MONEY SAVER :
 - Le ventilateur s'arrête quand le compresseur arrête de produire du froid. Environ toutes les 3 minutes, le ventilateur va se rallumer et le climatiseur va vérifier la température de la pièce pour déterminer s'il doit, ou non, se remettre en marche.
- FAN :
 - Seul le ventilateur fonctionne.

REDEMARRAGE AUTOMATIQUE

Quand le courant revient après une coupure d'électricité, le climatiseur recommencera à fonctionner selon les derniers réglages.



LA TELECOMMANDE

MISE EN MARCHÉ

- Pour mettre en marche le climatiseur, appuyez sur ce bouton
- Pour éteindre le climatiseur, appuyez sur ce bouton à nouveau
- Ce bouton est prioritaire sur n'importe quel autre bouton
- Quand vous allumez le climatiseur pour la première fois, l'appareil est en position Froid, le ventilateur en vitesse rapide et la température réglée à 72°F.
- Redémarrage automatique
Quand le courant revient après une coupure d'électricité, le climatiseur recommencera à fonctionner selon les derniers réglages.

RÉGLAGE DE LA TEMPÉRATURE

- Utilisez ce bouton pour contrôler automatiquement la température de la pièce. La température peut être réglée entre 60°F et 86°F avec une précision au degré près.
- La programmation apparaît sur l'écran.

VITESSE DU VENTILATEUR

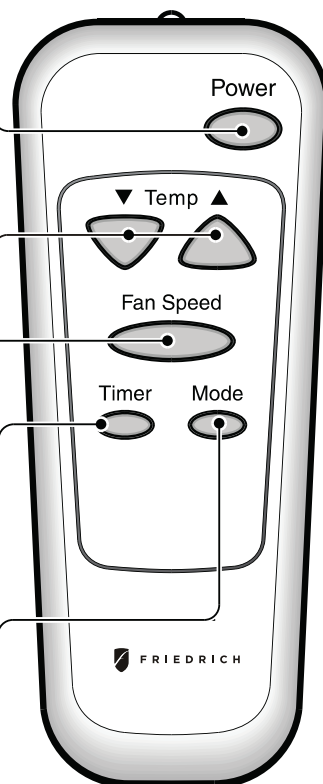
- Chaque fois que vous appuyez sur ce bouton, la position change dans l'ordre qui suit (Rapide → Lente → Moyenne → Rapide)

PROGRAMMATEUR

- Arrêt programmé
 - Vous utiliserez généralement cette fonction lorsque vous dormirez
 - Si le climatiseur est en marche, utilisez le programmeur pour régler le nombre d'heures avant l'arrêt de l'appareil.
 - Pour votre confort, une fois que l'heure limite est passée, la température réglée augmentera de 2°F au bout de 30 minutes et au bout d'une heure.
 - Appuyez sur le bouton Programmeur pour avancer la sélection dans l'ordre qui suit : 1 Heure → 2 Heures → → 24Heures maximum.
- Démarrage programmé
 - Si le climatiseur est éteint, utilisez le programmeur pour régler le nombre d'heures avant la mise en marche de l'appareil.
 - Appuyez sur le bouton Programmeur pour avancer la sélection dans l'ordre qui suit : 1 Heure → 2 Heures → → 24Heures maximum.

MODE

- Appuyez sur ce bouton pour changer le mode de fonctionnement. La position change dans l'ordre qui suit
COOL → MONEY SAVER → FAN
- COOL :
 - le ventilateur tourne en permanence pour assurer un refroidissement normal continu.
- MONEY SAVER
 - Le ventilateur s'arrête quand le compresseur arrête de produire du froid. Environ toutes les 3 minutes, le ventilateur va se rallumer et le climatiseur va vérifier la température de la pièce pour déterminer s'il doit, ou non, se remettre en marche.
- FAN :
 - Seul le ventilateur fonctionne

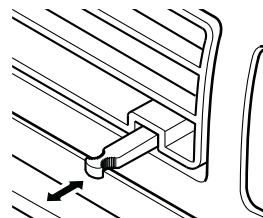


A propos des commandes
du climatiseur

Contrôles Supplémentaires et Informations Importantes.

Contrôle de la ventilation

Enfoncez le levier en position « CLOSE » pour uniquement refroidir, réchauffer ou faire circuler l'air de la pièce.
Tirez le levier en position « OPEN », pour évacuer la fumée ou réassainir l'air de la pièce.
Il est conseillé d'utiliser cette option avec le climatiseur en position FAN ONLY.



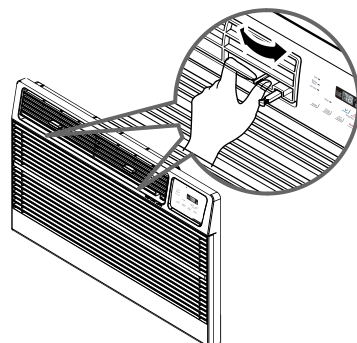
TIRER OUVRIR / POUSSER FERMER

Direction de l'air

La direction de l'air peut être contrôlée en ajustant les volets d'air horizontaux et verticaux.

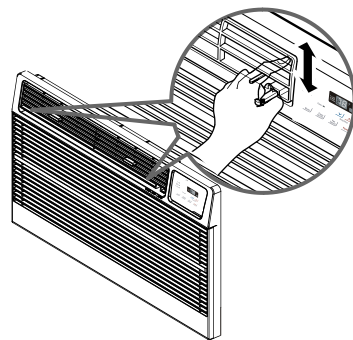
- **CONTRÔLE DE LA DIRECTION HORIZONTALE**

La direction horizontale de l'air peut être modifiée en bougeant le volet d'air vertical. Le levier du volet vertical se situe à droite et à gauche de la sortie d'air.



- **CONTRÔLE DE LA DIRECTION VERTICALE**

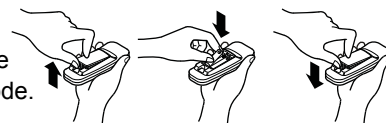
La direction verticale de l'air peut être modifiée en bougeant le volet d'air horizontal.



Placer les pile de la télécommande

1. Retirez le clapet situé au dos de la télécommande.
2. Insérez une batterie.
 - Assurez-vous que les pôles (+) et (-) soient bien placés.
 - Assurez pas de batterie est neuve.
3. Remplacez le clapet
 - N'utilisez pas de batterie rechargeable.
 - Afin d'éviter la décharge, retirez la batterie de la télécommande si le climatiseur ne va pas être utilisé pendant une longue période.

Pour assurer le fonctionnement optimal de la télécommande, le capteur infrarouge ne doit pas être exposé à la lumière directe du soleil.



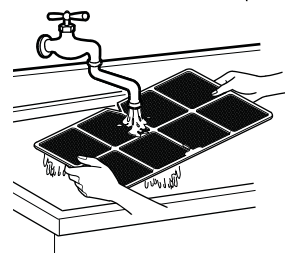
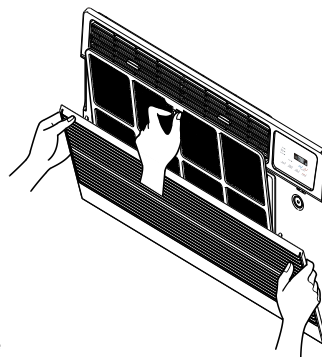
Eteindre le climatiseur et débrancher la prise de courant.

Nettoyage du filtre à air

Le filtre à air devrait être vérifié au moins 2 fois par mois afin de voir s'il a besoin d'être nettoyé. Les particules attrapées dans le filtre vont s'amonceler et bloquer le passage de l'air. Ceci aurait pour effet de réduire la capacité de refroidissement et pourrait aussi créer une accumulation de givre sur les serpentins de refroidissement.

Si le filtre est abîmé ou déchiré, il convient de le remplacer immédiatement. Vous pouvez vous procurer des filtres de rechange auprès de votre vendeur, de votre magasin ou auprès d'un réparateur agréé.

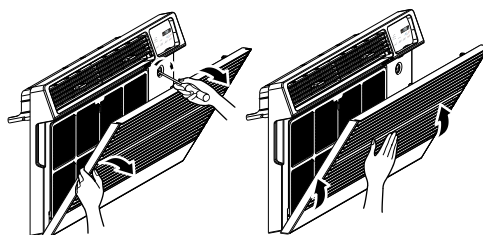
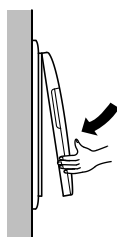
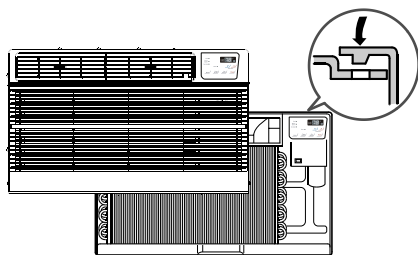
1. Ouvrez la grille d'arrivée d'air en la saisissant par le haut des côtés et en tirant vers vous.
2. Séparez le filtre à air de la grille en tirant légèrement le filtre vers le haut.
3. Lavez le filtre à air avec de l'eau tiède et un détergent doux.
4. Secouez le filtre pour évacuer tout surplus d'eau. Assurez-vous qu'il soit bien sec avant de le replacer dans l'appareil.



Comment installer le panneau avant sur le caisson

Le panneau peut être retiré lors du nettoyage ou pour vérifier les numéros de modèle et de série. Pour votre sécurité, nous vous conseillons de suivre cette procédure suivante pour réinstaller le panneau.

1. Abaissez le panneau à partir du haut du caisson.
2. Poussez les embouts du panneau en direction du caisson afin de les y insérer.
3. Ouvrez la grille d'arrivée d'air
4. Serrez bien la vis à travers la grille et dans la plaque signalétique du boîtier de contrôle.
5. Fermez la grille d'arrivée d'air

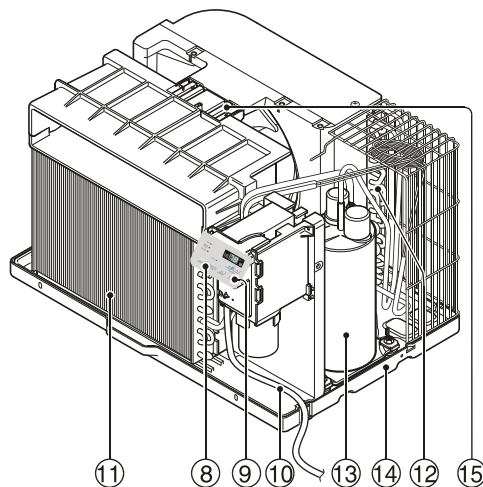
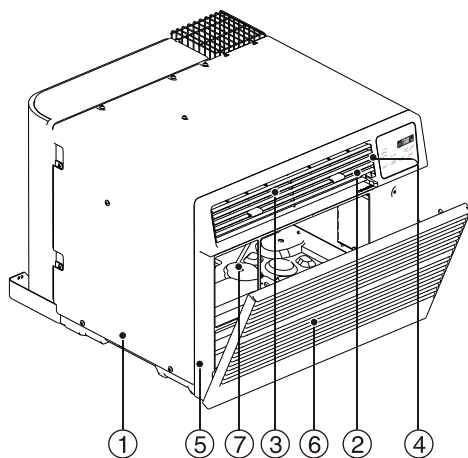


Différentes parties

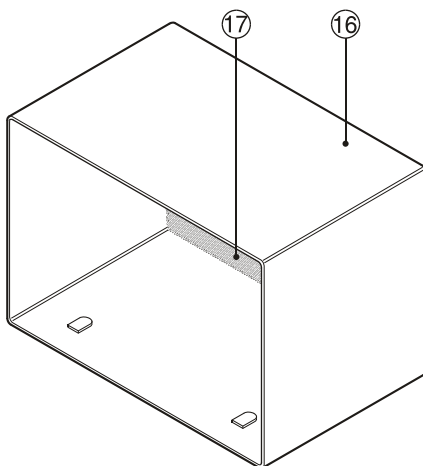
Apprendre le nom de chaque partie du climatiseur vous aidera à comprendre la procédure d'installation.

Les différentes parties

L'appareil



Le support et le panneau arrière (vendu séparément)



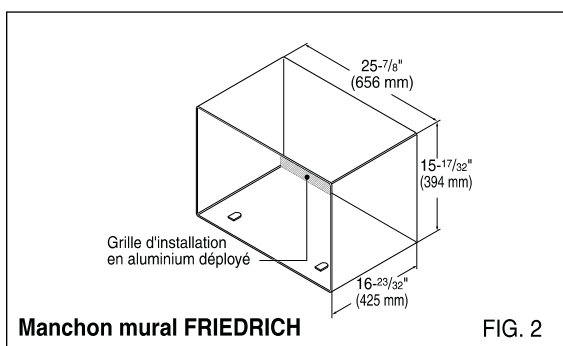
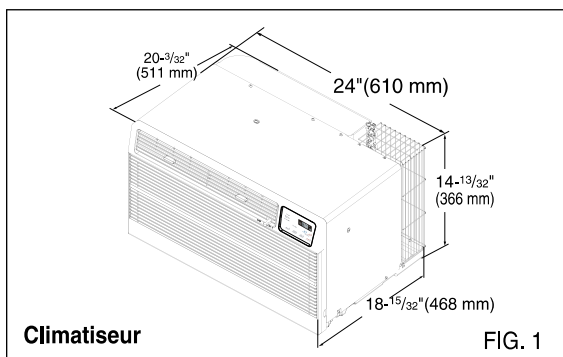
- | | |
|---|---|
| 1. Le caisson | 10. Câble d'alimentation |
| 2. Déflecteur d'air horizontal (volet d'air vertical) | 11. Evaporateur |
| 3. Déflecteur d'air vertical (volet d'air horizontal) | 12. Condensateur |
| 4. Sortie d'air | 13. Compresseur |
| 5. Panneau avant | 14. Plateau |
| 6. Grille d'arrivée d'air (prise d'air) | 15. Equerre de renfort |
| 7. Filtre à air | 16. Caisson de support (panneau arrière en aluminium déployé compris) |
| 8. Panneau de contrôle | 17. Panneau arrière |
| 9. Boutons | |

L'installation

Retirez la feuille d'habillage de l'arrière du caisson de support, ainsi que les protège-coins et l'adhésif bleu du climatiseur.

PRECAUTIONS D'INSTALLATION

Si vous utilisez un caisson mural déjà installé, vérifiez-en bien les dimensions. Installez le nouveau climatiseur en suivant les instructions afin d'en assurer un fonctionnement optimal. Les caissons muraux utilisés pour monter le nouveau climatiseur doivent être en bon état et posséder un panneau arrière pour pouvoir attacher en toute sécurité le nouvel appareil (Fig 1). Utiliser un caisson mural FRIEDRICH USC vous assure le fonctionnement optimal de votre nouveau climatiseur (Fig 2).

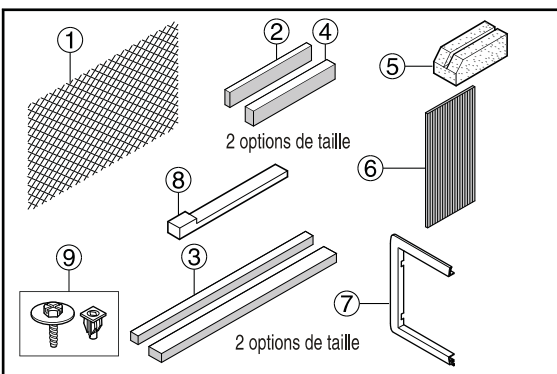


BRANCHEMENT ELECTRIQUE

Vérifiez votre installation électrique. Le courant fourni doit être conforme aux données inscrites sur la plaque signalétique, située sur le côté gauche du caisson.

Tous les modèles sont équipés d'une prise à 3 broches pour assurer un bon fonctionnement et une mise à la terre en toute sécurité. Ne jamais changer les prises, et ne pas utiliser d'adaptateur. Si votre prise murale ne correspond pas à la prise du climatiseur, contactez un électricien qualifié pour faire les changements nécessaires. Conservez l'emballage carton ainsi que ce manuel de l'utilisateur pour future référence. Le carton d'emballage est le meilleur moyen de conserver l'appareil pendant l'hiver ou lorsque vous ne l'utilisez pas.

INSTALLATION DU MATERIEL



Numéro	Nom	Q'TY
①	Grille en plastique	1
②	Bande isolante verticale	1
③	Bandes isolantes circulaires	2
④	Bande isolante horizontale	1
⑤	Renfort	2
⑥	Défecteur	1
⑦	Encadrement	2
⑧	Cale	2
⑨	Bagues filetées et Vis épaulées	4

⚠ Avertissement

Pour éviter tout risque de blessures corporelles ou de dommages matériels du fait du poids de l'appareil et de la présence de parties coupantes, suivez les conseils ci-dessous :

- les climatiseurs décrits dans le présent manuel présentent un danger du fait de leur poids élevé. Il faut au minimum deux personnes pour déplacer et installer l'appareil. Pour éviter toute blessure ou douleur, utilisez les techniques de levage et de déplacement appropriées lorsque vous manipulez l'appareil.
- Inspectez attentivement l'endroit où va être installé le climatiseur. Assurez-vous qu'il supportera le poids de l'appareil pendant une période prolongée.
- Manipulez le climatiseur avec précaution. Munissez-vous de gants protecteurs lorsque vous portez ou déplacez l'appareil. Évitez de toucher les ailettes de métal coupantes des serpentins avant et arrière.
- Faites attention à ce que le climatiseur ne tombe pas au cours de l'installation.

OUTILS NECESSAIRES:

- Des gants moulants
- Un tournevis standard
- Un tournevis Philips
- Une pince
- Un couteau aiguisé
- Une clé de 3/8 pouces ou une clé ajustable
- Une douille de pouce et une clé à cliquet
- Un mètre
- Une perceuse électrique
- Une mèche de pouce

INSTALLATION

⚠ Avertissement

Utiliser un caisson mural FRIEDRICH USC vous assure un fonctionnement optimal de votre climatiseur. Si vous décidez de conserver le caisson mural existant, vous devez réorienter les volets d'air situés à l'arrière du caisson mural. Reportez-vous à l'image 9, page 14. Nous vous conseillons d'utiliser des pinces. Si vous ne réorientez pas les volets d'air, votre climatiseur fonctionnera moyennement bien et pourra tomber en panne beaucoup plus tôt. De plus, cette panne ne serait pas couverte par la garantie FRIEDRICH.

- Choisissez un endroit à partir duquel l'air refroidi pourra se diffuser dans la zone que vous souhaitez. Une bonne installation et un emplacement adéquat réduiront vos chances de devoir faire appel à un réparateur.

OUTILS DONT VOUS AUREZ BESOIN POUR L'INSTALLATION DU MATÉRIEL.

Il se peut que n'avez pas besoin de l'intégralité du kit d'installation. Ignorez les articles non utilisés.

Articles (en pouces)		Qty.
Grille en plastique	26 ^{3/4} x 16 ^{1/2}	1
Bande isolante verticale	15 ^{9/16} x 1 ^{3/8} x 1 ^{3/8}	1
Bandes isolantes circulaires	67 ^{1/8} x 1 ^{3/8} x 25 ^{3/32}	1
	59 ^{27/32} x 1 ^{3/8} x 1 ^{3/8}	1
Bande isolante horizontale	23 ^{7/32} x 1 ^{3/8} x 1 ^{3/16}	1
Renfort	1 ^{3/4} x 1 ^{3/8} x 4 ^{5/16}	2
Défecteur	14 x 4 ^{1/2} x 1 ^{1/8}	1
Cale	11 ^{13/16} x 1 x 3/4	2
Encadrement		2
Vis épaulées		4
Bagues filetées		4
Défecteur d'air arrière.		1

COMMENT PROCÉDER À L'INSTALLATION

- 1 Avant d'installer l'appareil, identifiez le caisson mural déjà posé dans la liste ci-dessous

Marque	Dimensions du manchon mural (en pouces)		
	Largeur	Hauteur	Profondeur
White-Westinghouse Frigidaire Carrier (séries 52F)	25-1/2	15-1/4	16, 17-1/2 or 22
General Electric /Hotpoint	26	15-5/8	16-7/8
Whirlpool	25-7/8	16-1/2	17-1/8 or 23
Fedders/Emerson Friedrich WSC	27	16-3/4	16-3/4 or 19-3/4
FRIEDRICH USC	25-7/8	15-17/32	16-23/32
Emerson/Fedders	26-3/4	15-3/4	15
Carrier (séries 51S)	25-3/4	16-7/8	18-5/8

REMARQUE: Tous les caissons muraux utilisés pour supporter votre nouveau climatiseur doivent être en bon état et posséder un panneau arrière bien attachés au caisson, ou une arrête à l'arrière qui bloque le climatiseur.

- 2 Retirez l'ancien climatiseur de son caisson mural.
- 3 Nettoyez l'intérieur du caisson mural (ne pas abîmer les joints)
- 4 Assurez-vous que le caisson soit bien attaché au mur avant d'installer le climatiseur. Utilisez des clous ou des vis pour fixer le caisson au mur si nécessaire. Vous pouvez repeindre le caisson si nécessaire.
- 5 Préparez le caisson mural pour l'installation de l'appareil. Si vous utilisez un caisson déjà installé, et qu'il n'est pas de marque FRIEDRICH, suivez la procédure B ou C ci-dessous.

Procédure	Marque	Profondeur (en pouces)
A (page 13)	FRIEDRICH USC	16-23/32
B (pages 14-15)	White-Westinghouse Frigidaire Carrier (52F séries)	16, 17-1/2 ou 22
	General Electric /Hotpoint	16-7/8
	Whirlpool Carrier (51S séries)	17-1/8 or 23
C (pages 16-17)	Fedders/Emerson Friedrich WSC	16-3/4 ou 19-3/4
	Emerson/Fedders	15

- 6 Installez le nouvel appareil dans le caisson mural.

AVERTISSEMENT: une fois l'installation terminée, le climatiseur DOIT être incliné vers l'arrière comme montré ci-dessous. Pour créer une inclinaison de 1/4" pouce, retirez le support des cales 11-13/16" et attachez ces cales comme le montre l'image 3. Placez la partie élevée de la cale devant la nervure du socle du caisson mural.

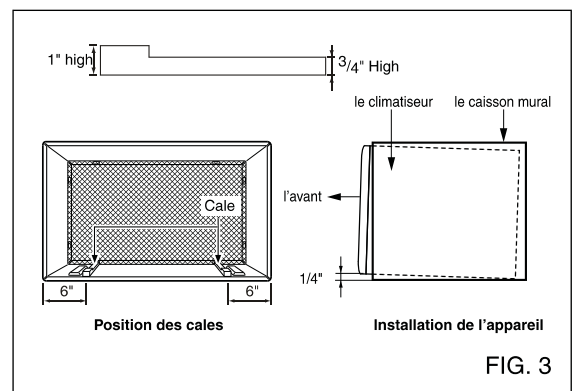
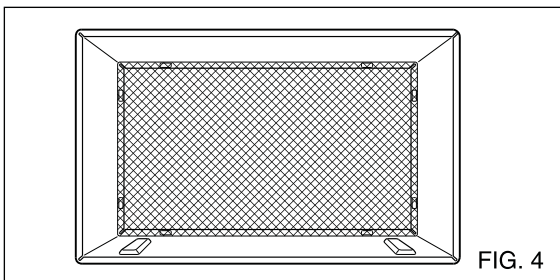


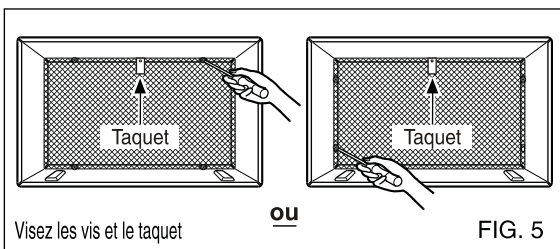
FIG. 3

PROCEDURE A

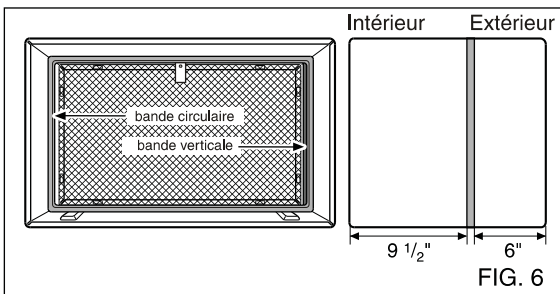
- 1** Si vous utilisez le nouveau caisson mural (fourni en option avec votre climatiseur), passez à l'étape 3. Autrement, installez la grille en plastique. Coupez-la pour qu'elle mesure 25,5 pouces de largeur et 15,25 pouces de hauteur. Placez la grille en plastique à l'intérieur du caisson mural, dans l'arrête du fond.



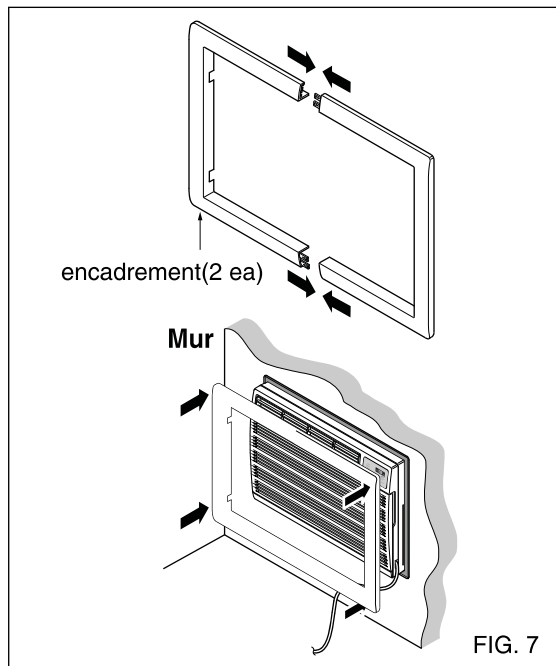
- 2** Visez les 4 vis épaulées pour fixer la grille au caisson mural. Si vous avez besoin de bagues filetées pour installer la grille à l'intérieur du caisson, vous en trouverez à l'intérieur du kit d'installation. Les bagues se fixent depuis l'intérieur du caisson dans les trous carrés des arrêtes du fond. Visez le taquet dans la partie supérieure du caisson mural, à l'aide des vis épaulées. Le taquet retient l'appareil dans le caisson.



- 3** Retirez la protection de la bande isolante verticale 15-9/16 x 1-3/8 x 1-3/8 et collez-la sur le côté intérieur droit du caisson comme montré ci-dessous. Retirez la protection de la bande isolante circulaire 67-1/8 x 1-3/8 x 25/32 et collez-la sur la partie frontale intérieure du caisson comme montré ci-dessous.



- 4** Installez le nouveau climatiseur à l'intérieur du caisson mural.
- 5** Pour assembler l'encadrement, insérez le crochet de chaque partie dans l'embout de l'autre partie, comme indiqué ci-dessous. Encastrez l'encadrement autour de la partie avant du caisson, comme le montre Fig 8



⚠ Avertissement

- les climatiseurs décrits dans le présent manuel présentent un danger du fait de leur poids élevé. Il faut au minimum deux personnes pour déplacer et installer l'appareil. Pour éviter toute blessure ou douleur, utilisez les techniques de levage et de déplacement appropriées lorsque vous manipulez l'appareil.
- Lorsque vous manipulez l'appareil, évitez de toucher les ailettes en métal coupantes des serpents avant et arrière.
- Faites attention à ce que le climatiseur ne tombe pas au cours de l'installation.
- Si le climatiseur ne fonctionne pas après avoir vérifié l'installation, assurez-vous que l'interrupteur de sécurité n'a pas été enclenché. Reportez-vous à la partie Réparation pour la procédure de réinitialisation.

Différentes parties et installation

PROCEDURE B

- 1** Redirigez les volets d'air situés à l'arrière du caisson mural de 60° comme le montre Fig 8. L'utilisation de pinces est recommandée.

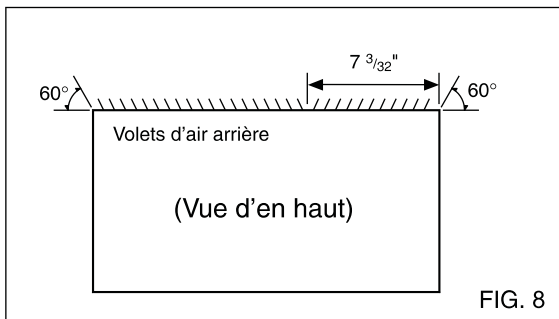
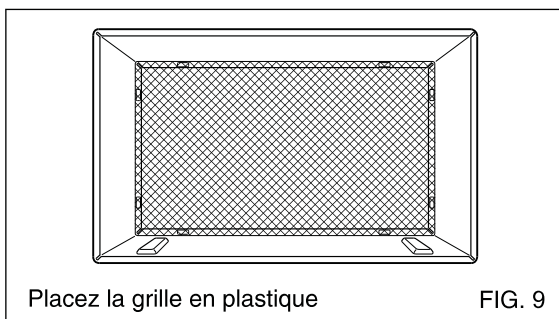


FIG. 8

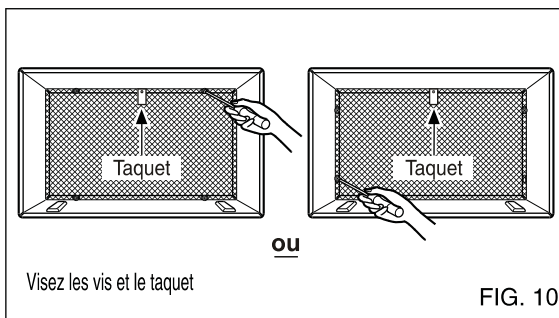
- 2** Si le caisson mural dispose déjà d'une grille à l'arrière, passez directement à l'étape 4. Si le caisson ne dispose pas d'une grille à l'arrière ou d'une persienne, installez la grille plastique comprise dans le kit d'installation. Coupez-la pour qu'elle mesure 25,5 pouces de largeur et 15,25 pouces de hauteur. Placez la grille en plastique à l'intérieur du caisson mural, dans l'arrête du fond.



Placez la grille en plastique

FIG. 9

- 3** Visez les 4 vis épaulées pour fixer la grille au caisson mural. Si vous avez besoin de bagues filetées pour installer la grille à l'intérieur du caisson, vous en trouverez à l'intérieur du kit d'installation. Les bagues se fixent depuis l'intérieur du caisson dans les trous carrés des arrêtes du fond. Visez le taquet dans la partie supérieure du caisson mural, à l'aide des vis épaulées. Le taquet retient l'appareil dans le caisson.



Visez les vis et le taquet

FIG. 10

- 4** Retirez la protection de la bande isolante verticale 15-9/16 x 1-3/8 x 1-3/8 et collez-la sur le côté intérieur droit du caisson comme montré ci-dessous. Retirez la protection de la bande isolante circulaire 67-1/8 x 1-3/8 x 25/32 et collez-la sur la partie frontale intérieure du caisson comme montré ci-dessous.

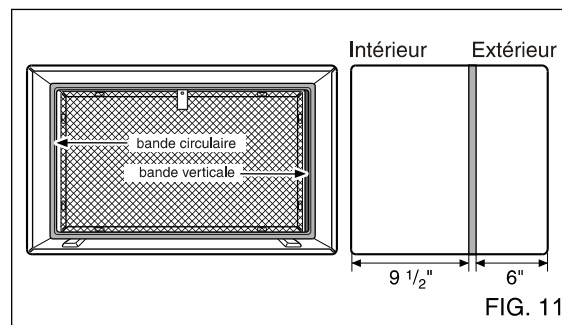


FIG. 11

- 5** Si votre caisson mural a une profondeur inférieure ou égale à 18 pouces, passez directement à l'étape 7. Autrement, coupez les déflecteurs et les renforts à la longueur A comme indiqué dans le tableau suivant.

Profondeur D du caisson mural existant (en pouce)	Longueur A (en pouce)
$18 < D \leq 18\text{-}5/8$	$3/4$
$18\text{-}5/8 < D \leq 19\text{-}3/4$	$1\text{-}3/4$
$19\text{-}3/4 < D \leq 22$	4

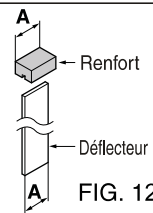
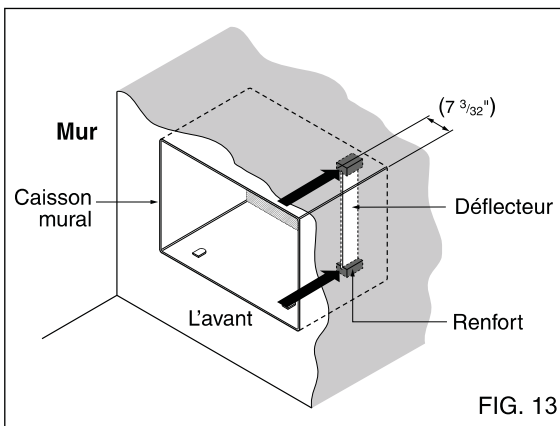


FIG. 12

SUITE DE LA PROCEDURE B

- 6** Ôtez la protection des renforts et collez-les à l'intérieur du caisson mural, comme le montre Fig 13. Insérez le déflecteur dans la rainure des renforts.



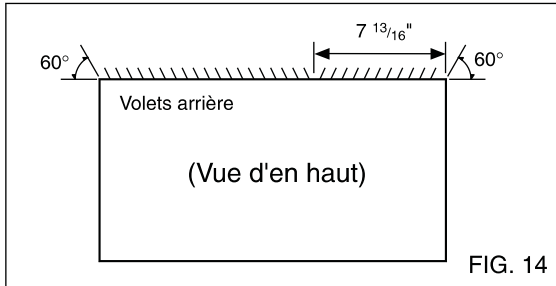
- 7** Installez le nouveau climatiseur dans le caisson mural.
- 8** Assemblez l'encadrement comme décrits à l'étape 5 de la Procédure A.

⚠ Avertissement

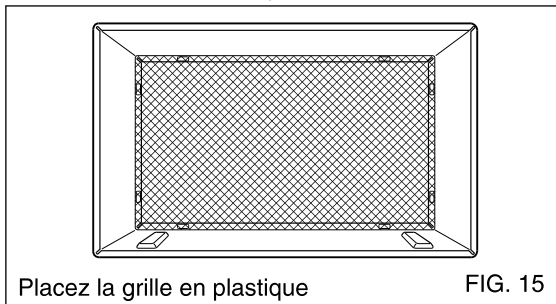
- les climatiseurs décrits dans le présent manuel présentent un danger du fait de leur poids élevé. Il faut au minimum deux personnes pour déplacer et installer l'appareil. Pour éviter toute blessure ou douleur, utilisez les techniques de levage et de déplacement appropriées lorsque vous manipulez l'appareil.
- Lorsque vous manipulez l'appareil, évitez de toucher les ailettes en métal coupantes des serpentins avant et arrière.
- Faites attention à ce que le climatiseur ne tombe pas au cours de l'installation.
- Si le climatiseur ne fonctionne pas après avoir vérifié l'installation, assurez-vous que l'interrupteur de sécurité n'a pas été enclenché. Reportez-vous à la partie Réparation pour la procédure de réinitialisation.

PROCÉDURE C

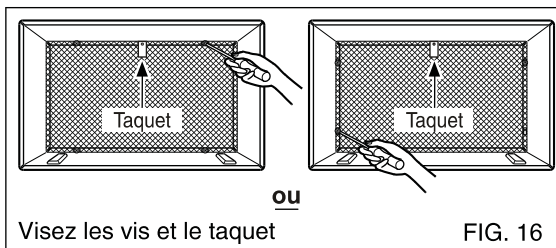
- 1** Redirigez les volets d'air situés à l'arrière du caisson mural de 60° comme le montre Fig 14. L'utilisation de pinces est recommandée.



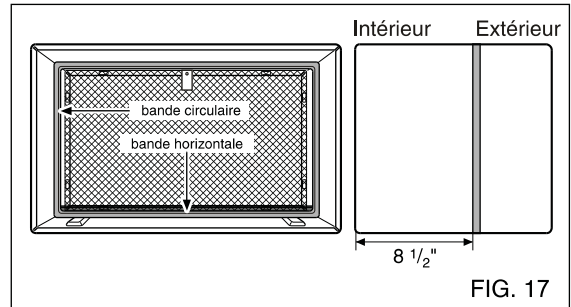
- 2** Si le caisson mural dispose déjà d'une grille à l'arrière, passez directement à l'étape 4. Si le caisson ne dispose pas d'une grille à l'arrière ou d'une persienne, installez la grille plastique comprise dans le kit d'installation. Coupez-la pour qu'elle mesure 26,5 pouces de largeur et 15,25 pouces de hauteur. Placez la grille en plastique à l'intérieur du caisson mural, dans l'arrête du fond.



- 3** Visez les 4 vis épaulées pour fixer la grille au caisson mural. Si vous avez besoin de bagues filetées pour installer la grille à l'intérieur du caisson, vous en trouverez à l'intérieur du kit d'installation. Les bagues se fixent depuis l'intérieur du caisson dans les trous carrés des arrêtes du fond. Visez le taquet dans la partie supérieure du caisson mural, à l'aide des vis épaulées. Le taquet retient l'appareil dans le caisson.



- 4** Retirez la protection de la bande isolante horizontale $23\text{-}7/32 \times 1\text{-}3/8 \times 1\text{-}3/16$ et collez-la sur le côté intérieur droit du caisson comme montré ci-dessous. Retirez la protection de la bande isolante circulaire $59\text{-}27/32 \times 1\text{-}3/8 \times 1\text{-}3/8$ et collez-la sur la partie frontale intérieure du caisson comme montré ci-dessous.



- 5** Si votre caisson mural a une profondeur inférieure ou égale à 18 pouces, passez directement à l'étape 7. Autrement, coupez les déflecteurs et les renforts à la longueur A comme indiqué dans le tableau suivant.

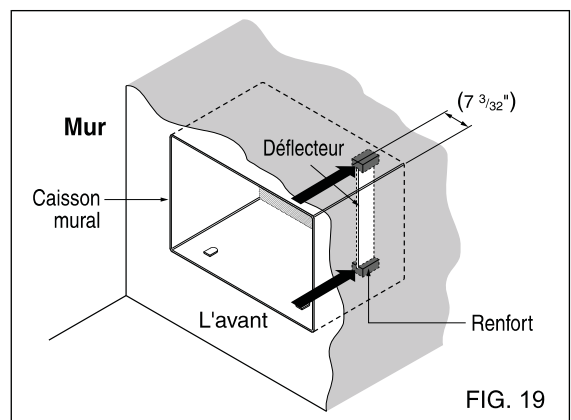
Profondeur "D" du manchon existant (pouces)	Longueur "A" (pouces)
$18 < D \leq 18\text{-}5/8$	$3/4$
$18\text{-}5/8 < D \leq 19\text{-}3/4$	$1\text{-}3/4$
$19\text{-}3/4 < D \leq 22$	4

Renfort

Déflecteur

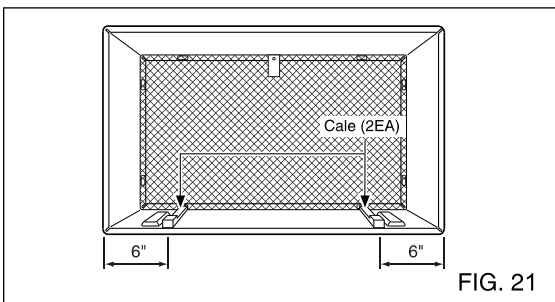
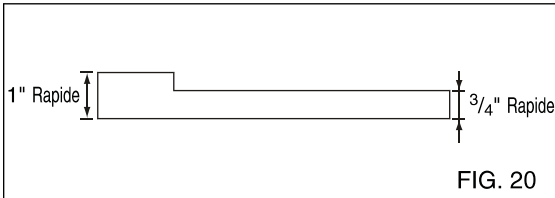
FIG. 18

- 6** Ôtez la protection des renforts et collez-les à l'intérieur du caisson mural, comme le montre Fig 19. Insérez le déflecteur dans la rainure des renforts.



SUITE DE LA PROCEDURE C

- 7** Pour créer une inclinaison vers l'arrière pour éviter que l'eau ne stagne dans l'appareil, retirez le support des cales 11-13/16 et attachez ces cales comme le montre Fig 21. Placez la partie élevée de la cale devant la nervure du socle du caisson mural.



- 8** Installez le nouveau climatiseur à l'intérieur du caisson mural.
- 9** Assemblez l'encadrement comme décrits à l'étape 6 de la Procédure A.



Avertissement

- les climatiseurs décrits dans le présent manuel présentent un danger du fait de leur poids élevé. Il faut au minimum deux personnes pour déplacer et installer l'appareil. Pour éviter toute blessure ou douleur, utilisez les techniques de levage et de déplacement appropriées lorsque vous manipulez l'appareil.
- Lorsque vous manipulez l'appareil, évitez de toucher les ailettes en métal coupantes des serpentins avant et arrière.
- Faites attention à ce que le climatiseur ne tombe pas au cours de l'installation.
- Si le climatiseur ne fonctionne pas après avoir vérifié l'installation, assurez-vous que l'interrupteur de sécurité n'a pas été enclenché. Reportez-vous à la partie Réparation pour la procédure de réinitialisation.

Avant de faire appel à un dépanneur...

Astuces de dépannage

Les astuces de dépannage vous feront économiser du temps et de l'argent !

Tout d'abord, parcourez bien le tableau ci-dessous, et il se pourrait que vous n'ayez plus besoin de faire appel à un dépanneur.

Fonctionnement normal

- Les jours de pluie ou de grande humidité, il se peut que vous entendiez un cliquetis provoqué par l'eau qui est attrapée et jetée contre le condensateur. Cette caractéristique de conception permet d'éliminer la moisissure et donc d'améliorer le fonctionnement.
- Il se peut aussi que vous entendiez le thermostat claquer lorsque le compresseur se met en marche et s'arrête.
- Les jours de pluie ou de grande humidité, l'eau va s'amasser dans le plateau. L'eau peut déborder et s'écouler par le côté extérieur de l'appareil.
- Il se peut que le ventilateur soit en marche même si le compresseur ne l'est pas.

Fonctionnement anormal

Problème	Causes possibles	Quoi faire
Le climatiseur ne démarre pas	■ <i>Le climatiseur n'est pas branché</i>	• Assurez-vous que la prise du climatiseur est bien enfoncée.
	■ <i>Le fusible ou le disjoncteur a sauté.</i>	• Vérifiez votre compteur électrique et remplacez le fusible ou remettez votre disjoncteur en route.
	■ <i>Coupure de courant.</i>	• En cas de coupure de courant, mettez votre climatiseur en mode OFF. Une fois le courant revenu, attendez 3 minutes avant de redémarrer le climatiseur afin d'éviter le déclenchement d'un compresseur en surcharge.
Le climatiseur ne refroidit pas la pièce comme il le devrait.	■ <i>Le flux d'air est limité</i>	• Assurez-vous qu'il n'y ait aucun rideau, store ou meuble qui bouche l'avant du climatiseur.
	■ <i>Le thermostat n'est peut-être pas réglé à une température assez froide.</i>	• Réglez la température au minimum : 60°F.
	■ <i>Le filtre à air est sale</i>	• Nettoyez le filtre au minimum toutes les 2 semaines. Reportez-vous à la section Conseils d'utilisation.
	■ <i>La pièce était peut-être chaude</i>	• Quand vous allumez le climatiseur pour la première fois, vous devez attendre un certain temps avant que la pièce ne rafraîchisse.
	■ <i>L'air froid s'échappe</i>	• Vérifiez les grilles de ventilation de générateur de chaleur et les retours d'air froid.
Le climatiseur gèle	■ <i>Les serpentins de refroidissement ont gelé.</i>	• Reportez-vous à la section « le climatiseur gèle » ci-après.
	■ <i>La glace bloque le passage de l'air et le climatiseur ne refroidit plus la pièce.</i>	• Régler le climatiseur sur les modes Ventilateur Puissance Moyenne ou Très Froid avec le thermostat vers la gauche.



F R I E D R I C H

Friedrich Air Conditioning Company

10001 Reunion Place, Suite 500

San Antonio, Tx 78216

800.541.6645

www.friedrich.com

GARANTIE LIMITÉE CLIMATISEURS INDIVIDUELS

PREMIÈRE ANNÉE

TOUTES LES PIÈCES - Si, dans les 12 mois suivant la date d'achat initial, une pièce fournie par FRIEDRICH devenait défectueuse en raison d'un défaut de fabrication ou de matériau, FRIEDRICH réparera le produit gratuitement, dans la mesure où le climatiseur est raisonnablement accessible pour la réparation. Tous les frais de main d'oeuvre additionnels pour la dépose d'un appareil difficilement accessible et/ou les frais de déplacement (kilométrage) encourus par le réparateur, au delà de 40 km (25 miles) dans une seule direction, sont la responsabilité du propriétaire. Cette compensation est reconnue comme étant la seule compensation offerte dans les 12 mois qui suivent la date d'achat initial.

DEUXIÈME À CINQUIÈME ANNÉE

SYSTÈME FRIGORIFIQUE HERMÉTIQUE - Si le système frigorifique hermétique (comprenant, aux termes de cette garantie, le compresseur, le serpentin de condenseur, le serpentin d'évaporateur, le robinet d'inversion, le clapet anti-retour, le tube capillaire, le déshydrateur-filtre et toute la tuyauterie interconnectée) intégré par FRIEDRICH à votre climatiseur devenait défectueux en raison d'un défaut de fabrication ou de matériau dans les 60 mois à compter de la date d'achat initial, FRIEDRICH allouera un dédommagement pour les frais de main d'oeuvre et les pièces nécessaires à la réparation du système frigorifique hermétique. FRIEDRICH ne prendra pas en charge les frais de diagnostic, de dépose et de transport du climatiseur jusqu'au centre de réparation et retour, ni les frais de réinstallation consécutifs à la réparation. Tous ces frais sont à la charge du propriétaire. Ce dédommagement est reconnu comme étant la seule compensation offerte dans les 60 mois qui suivent la date d'achat initial.

CONDITIONS D'APPLICATION ET RESTRICTIONS - Cette garantie s'applique exclusivement aux appareils vendus au détail aux États-Unis, dans le District de Columbia et au Canada. Cette garantie ne s'applique pas :

1. Aux filtres à air ni aux fusibles ;
2. Aux produits dont le numéro de modèle et le numéro de série ont été enlevés ;
3. Aux produits dont la défaillance ou les dommages résultent d'une mauvaise installation, d'un mauvais câblage, d'une tension d'alimentation inadap-tée ou d'un mauvais entretien; ni lorsqu'ils sont causés par un accident, une utilisation erronée ou abusive, un incendie, une inondation, une modification et/ou une erreur d'application du produit. La garantie ne s'applique pas non plus aux appareils installés dans une atmosphère corrosive, ni aux problèmes ou délais d'utilisation résultant d'actes de guerre, de restrictions ou de contraintes gouvernementales, de grèves, de pénuries de matériau indépendantes du contrôle de FRIEDRICH, ou de catastrophes naturelles.

EXÉCUTION DE LA GARANTIE - Les réparations seront effectuées par un revendeur ou un centre de réparation agréés par FRIEDRICH et situés dans votre région. Leurs coordonnées se trouvent dans les Pages Jaunes. Si vous avez besoin d'assistance pour obtenir une réparation sous garantie.

EXCLUSIONS - CETTE GARANTIE EST OFFERTE À L'EXCLUSION DE TOUTE AUTRE GARANTIE. Nonobstant les clauses cette garantie, TOUTE GARANTIE IMPLICITE DE CONFORMITÉ POUR UN USAGE PARTICULIER ET/OU DE QUALITÉ MARCHANDE SERA LIMITÉE À LA DURÉE DE LA PRÉSENTE GARANTIE EXPRESSE. LE FABRICANT DÉCLINE ET EXCLUT FORMELLEMENT TOUTE RESPONSABILITÉ POUR LES DOMMAGES ET PRÉJUDICES INDIRECTS RELATIFS À L'INEXÉCUTION DE TOUTE GARANTIE EXPRESSE OU IMPLICITE.

La performance de l'obligation de Garantie de Friedrich est limitée à une des méthodes suivantes :

1. Réparation de l'unité
2. Un remboursement au client pour la valeur distribuée au prorata de l'unité basée sur la période restante de garantie de l'unité.
3. L'établissement d'une unité de remplacement de valeur égale

La méthode pour fulfillment de l'obligation de garantie est à la discrétion unique de Friedrich.

REMARQUE - Certaines provinces n'autorisent pas de restriction sur la durée d'une garantie implicite ou n'autorisent pas de restriction ni d'exclusion des dommages ou préjudices indirects. Il est donc possible que ces exclusions et restrictions ne s'appliquent pas à vous.

AUTRE - Cette garantie vous accorde des recours légaux spécifiques mais il est possible que vous bénéficiiez d'autres droits selon votre province.

PREUVE D'ACHAT - Pour bénéficier des services offerts par la présente garantie, l'acquéreur devra fournir une preuve d'achat.

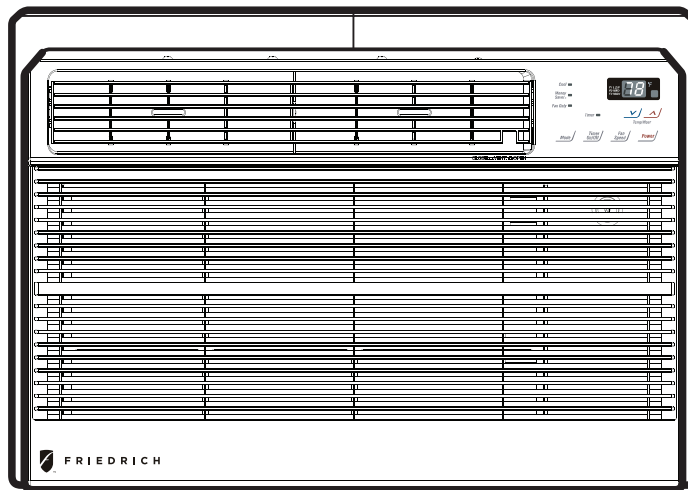
Tous les appels de service relatifs au fonctionnement de ce produit sont à la charge du consommateur.

Toute réparation sous garantie doit être effectuée par un centre de service agréé par FRIEDRICH, sauf autorisation expresse de FRIEDRICH au préalable.



F R I E D R I C H

Guía de instalación y funcionamiento



Uni-Fit

115 Volts • US08 • US10 • US12
230 Volts • US10 • US12 • US14

La información del número del modelo se puede encontrar en la placa de identificación situada en el lado de la unidad que está cerca del panel de control. Para registrar su aplicación, complete y envíe la tarjeta de registro incluida, o regístrese online en www.friedrich.com (sólo en EE.UU.). Para su futura comodidad, anote aquí la información sobre el modelo.

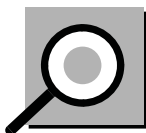
NÚMERO DE MODELO

NÚMERO DE SERIE

FECHA DE COMPRA

Medidas de seguridad

Precauciones de seguridad	3
---------------------------------	---

**LEA ESTE MANUAL**

Dentro de este manual, usted podrá encontrar numerosos consejos útiles sobre cómo utilice y mantener correctamente su aire acondicionado. Sólo es necesario un poco de cuidado preventivo por su parte para ahorrarle mucho tiempo y dinero a lo largo de la vida útil de su aire acondicionado.

Encontrará muchas respuestas a los problemas comunes en la sección de solución de averías. Revise la sección solución de averías antes de solicitar asistencia técnica. Su pregunta puede estar ya contestada.

Datos eléctricos

Datos eléctricos.....	5
-----------------------	---

Instrucciones de funcionamiento

Controles.....	6
Control de la Ventilación	8
Dirección del aire	8

Cuidados y mantenimiento

Limpieza del filtro de aire ...	9
Cómo acoplar la rejilla frontal a la carcasa.....	9

Piezas e instalación

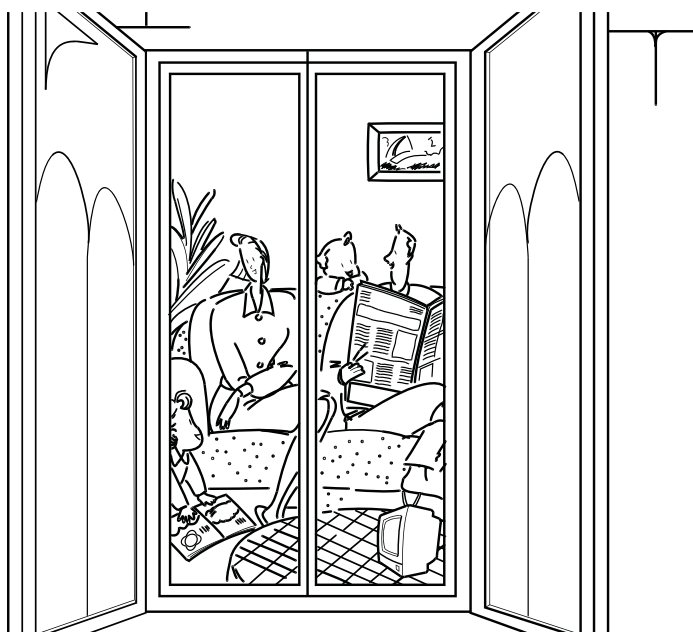
Piezas	10
Instalación	11
Cómo instalar	12
Procedimientos	13-17

Antes de solicitar asistencia técnica...

Consejos sobre la solución de averías	18
Funcionamiento normal	18
Funcionamiento anormal...18	
Garantía	19

**CAUTION**

- Póngase en contacto con un técnico de servicio autorizado para la reparación o el mantenimiento de esta unidad.
- El aire acondicionado no está diseñado para su uso por niños pequeños sin supervisión.



Medidas de seguridad

Para evitar lesiones y daños a la propiedad, deberán seguirse estas instrucciones.

- Ignorar estas instrucciones y operar incorrectamente la unidad puede ser causa de lesiones o de daños. La seriedad se clasifica por las siguientes indicaciones.



ADVERTENCIA: Este símbolo indica la posibilidad de muerte o de seria lesión.



PRECAUCIÓN: Este símbolo indica sólo la posibilidad de lesiones o daños a la propiedad

- El significado de los símbolos empleados en este manual son los siguientes.

	Nunca haga esto
	Siempre haga esto

ADVERTENCIA

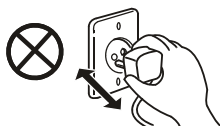
Enchufe correctamente el enchufe de alimentación.

- De lo contrario, causaría una descarga eléctrica o fuego debido a la producción de calor.



No haga funcionar ni pare la unidad insertando o extrayendo el enchufe de alimentación.

- Causaría descarga eléctrica o fuego debido a la producción de calor.



No dañe ni utilice un cable de alimentación no especificado.

- Causaría descarga eléctrica o fuego.
- Si se dañara el cable de alimentación, deberá sustituirse por el fabricante o un centro de servicio autorizado.



No modifique la longitud del cable de alimentación ni comparta el enchufe con otros aparatos.

- Causaría descarga eléctrica o fuego debido a la producción de calor.



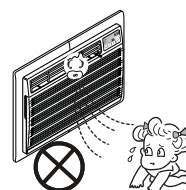
No opere el producto con las manos mojadas o en ambiente húmedo.

- Causaría descarga eléctrica.



No dirija la circulación del aire directamente sobre los ocupantes del cuarto.

- Esto podría dañar su salud.



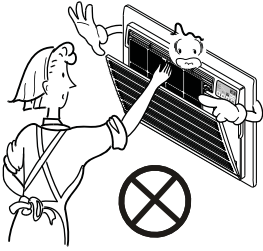
Para una limpieza interior, póngase en contacto con un Centro de Servicios Autorizado o un revendedor. No utilice detergentes abrasivos que causan corrosión o dañan la unidad.

- Los detergentes abrasivos pueden igualmente provocar un fallo del producto, un incendio o una descarga electrónica.

⚠ PRECAUCIÓN

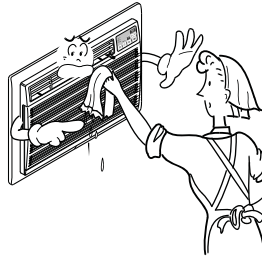
Cuando debe retirar el filtro de aire, no toque las piezas de metal de la unidad.

- Son afiladas y pueden causar lesiones.



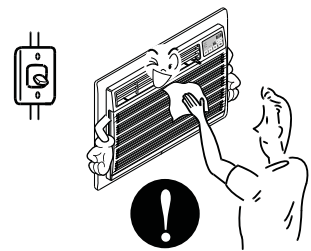
No limpie el aire acondicionado con agua.

- El agua podría entrar en la unidad y dañar el aislamiento.



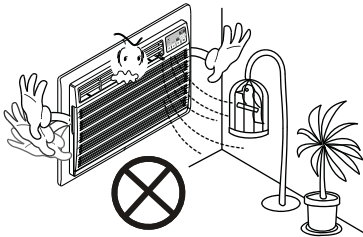
Cuando deba limpiar la unidad, apáguela y apague también el interruptor.

- El ventilador rota a altas velocidades durante el funcionamiento y esto podría provocar lesiones.



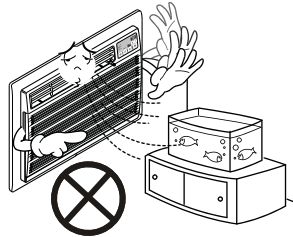
No sitúe un animal doméstico o una planta en un lugar expuesto al flujo directo de aire.

- Esto podría dañar los animales domésticos o plantas.



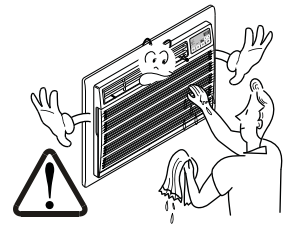
No lo utilice con propósitos especiales.

- No utilice este aire acondicionado para conservar dispositivos de precisión, alimentos, animales domésticos, plantas y objetos de arte.
- Podría causar el deterioro de la calidad, etc.



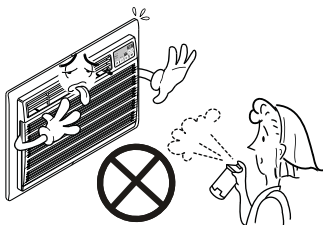
No toque el interruptor con las manos mojadas.

- Podría causar una descarga eléctrica.



No aplique insecticidas o aerosoles inflamables cerca de la unidad.

- Podría causar fuego o daños a la carcasa.



Si entra líquido de las pilas en contacto con la piel o la ropa, lávela inmediatamente con agua. No utilice el control remoto si las pilas tienen fugas.

- Los productos químicos de las pilas podrían causar quemaduras u otros perjuicios a la salud.



Si el líquido de las pilas alcanzara su boca, cepille sus dientes y consulte a un médico. No utilice el mando a distancia si las pilas han experimentado fugas.

- Los productos químicos de las pilas podrían causar quemaduras u otros perjuicios a la salud.



Datos eléctricos

Datos eléctricos

115V~	230V~	El cable de alimentación puede incluir un dispositivo interruptor de corriente. La carcasa del enchufe incluye un botón de prueba y otro de restablecimiento. Deberá comprobar el dispositivo periódicamente presionando el botón de PRUEBA y después el botón RESTABLECER. Si el botón de PRUEBA no se activa o si el botón RESTABLECER no permanece activado, no continúe el uso del aire acondicionado y entre en contacto con un técnico de servicio cualificado.

USO DE ALARGADERAS

Debido a los peligros de seguridad potenciales, no utilice alargaderas.

Uso de la toma de pared	Fuente de alimentación
<p>125V estándar, toma de puesta a tierra de 3-dientes, clasificado 15A, 125V CA</p>	<p>Utilice un fusible de retardo de 15 amp. o un interruptor de 15 amp.</p>
<p>250V estándar, toma de puesta a tierra de 3-dientes, clasificado 15A, 250V CA</p>	
<p>250V estándar, toma de puesta a tierra de 3-dientes, clasificado 15A, 250V CA</p>	<p>Utilice un fusible de retardo de 20 amp. o un interruptor de 20 amp.</p>

⚠ ADVERTENCIA

Peligro de descarga eléctrica
 Enchufar en una toma de puesta a tierra de 3 dientes.
 No quite el diente de puesta a tierra.
 No utilice un adaptador.
 No utilice alargaderas.
 No seguir estas instrucciones podría dar lugar a la muerte, fuego, o descargas eléctricas.

Todo el cableado deberá realizarse de acuerdo con los códigos y regulaciones eléctricas locales.

NOTA : El cableado de aluminio de la casa podría plantear problemas especiales. Consulte a un electricista cualificado.

■ SEGURIDAD ELÉCTRICA

INSTRUCCIONES IMPORTANTES DE PUESTA A TIERRA

El aire acondicionado cuenta con un enchufe de puesta a tierra de tres-dientes en su cable de alimentación, que deberá enchufarse en una toma de pared de tres-dientes correctamente puesta a tierra para asegurar su protección contra posibles descargas.

FUSIBLE – Utilice un fusible de retardo o un interruptor. Consulte la placa del fabricante para conocer los requisitos de alimentación adecuados.

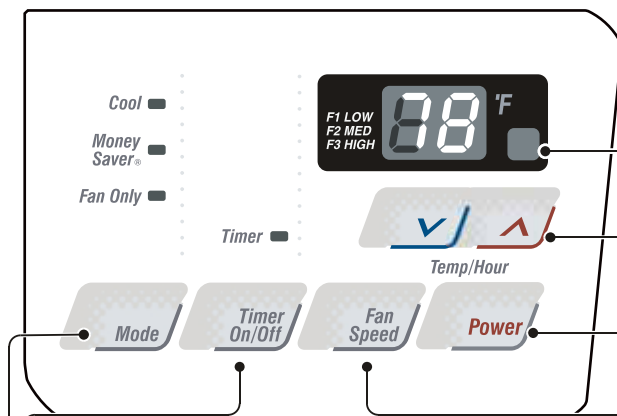
UNIDADES DE 208/230 VOLTIOS

Estas unidades están equipadas con un enchufe de tres-dientes de puesta a tierra en su cable de alimentación, que deberá enchufar en una toma de pared coincidente, correctamente puesta a tierra de tres-dientes para su protección contra posibles descargas. Si no cuenta con una toma de estas características, deberá pedir a un electricista cualificado que instale uno conforme al código eléctrico nacional y los códigos y ordenanzas locales.

Instrucciones de funcionamiento



Controles



RECEPTOR DE SEÑAL DEL MANDO A DISTANCIA

AJUSTE DE TEMPERATURA

- Utilice este botón para controlar automáticamente la temperatura del cuarto. La temperatura puede fijarse dentro de una gama de 60° F a 86° F en incrementos de 1° F.
- El ajuste aparecerá en pantalla.

ALIMENTACIÓN

- Presione este botón para encender el aire acondicionado. Presione de nuevo este botón para apagar el aire acondicionado.
- Este botón tiene prioridad sobre cualquier otro botón.
- Al encenderla, la unidad estará en modo frío, a alta velocidad del ventilador, y configurada en un ajuste de temperatura de 72° F.

VELOCIDAD DEL VENTILADOR

- Cada vez que presione este botón, el ajuste avanzará como sigue: {Alto → Bajo → Medio → Alto}

TEMPORIZADOR

- TIEMPO DE DESCONEXIÓN

- Normalmente, usted empleará el tiempo de desconexión mientras duerme.
- Si la unidad está funcionando, utilice el temporizador para fijar el número de horas hasta la desconexión.
- Para su comodidad al dormir, una vez fijado el tiempo de desconexión, la temperatura aumentará en 2°F tras 30 min., y de nuevo tras otros 30 minutos.
- Presione el botón del temporizador para entrar en la configuración avanzada de 1 hora → 2 horas ... 24 horas máximo.

- TIEMPO DE INICIO

- Si la unidad está apagada, utilice el temporizador para fijar el número de horas antes del inicio de la unidad.
- Presione el botón del temporizador para entrar en la configuración avanzada de 1 hora → 2 horas ... 24 horas máximo.

MODO

- Presione este botón para cambiar el modo de funcionamiento de COOL → MONEY SAVER → FAN.
- COOL :
 - El ventilador funciona continuamente durante el funcionamiento normal de enfriamiento.
- MONEY SAVER :
 - El ventilador cesará cuando el compresor cese de enfriar. Aproximadamente cada 3 minutos el ventilador se encenderá y la unidad comprobará el aire para determinar si es necesario seguir enfriando.
- FAN :
 - Funcionamiento sólo del ventilador.

REINICIO AUTOMÁTICO

Quando, tras un fallo en el suministro de energía, la alimentación vuelva a ser normal, la unidad comenzará a funcionar tal y como en su configuración anterior.



MANDO A DISTANCIA

ALIMENTACIÓN

- Presione este botón para encender el aire acondicionado.
Presione de nuevo este botón para apagar el aire acondicionado.
- Este botón tiene prioridad sobre cualquier otro botón.
- Al encenderla, la unidad estará en modo frío, a alta velocidad del ventilador, y configurada en un ajuste de temperatura de 72° F.
- Reinicio automático
Cuando, tras un fallo en el suministro de energía, la alimentación vuelva a ser normal, la unidad comenzará a funcionar tal y como en su configuración anterior.

AJUSTE DE TEMPERATURA

- Utilice este botón para controlar automáticamente la temperatura del cuarto.
La temperatura puede fijarse dentro de una gama de 60°F a 86°F por incrementos de 1°F.
- El ajuste aparecerá en pantalla.

VELOCIDAD DEL VENTILADOR

- Cada vez que presione este botón, la configuración cambiará:
{Alto → Bajo → Medio → Alto}

TEMPORIZADOR

- TIEMPO DE DESCONEXIÓN

- Normalmente, usted empleará el tiempo de desconexión mientras duerme.
- Si la unidad está funcionando, utilice el temporizador para fijar el número de horas hasta la desconexión.
- Para su comodidad al dormir, una vez fijado el tiempo de desconexión, la temperatura aumentará en 2°F tras 30 min., y de nuevo tras otros 30 minutos.
- Presione el botón del temporizador para entrar en la configuración avanzada de 1 hora → 2 horas ... 24 horas máximo.

- TIEMPO DE INICIO

- Si la unidad está apagada, utilice el temporizador para fijar el número de horas antes del inicio de la unidad.
- Presione el botón del temporizador para entrar en la configuración avanzada de 1 hora → 2 horas ... 24 horas máximo.

MODO

- Presione este botón para cambiar el modo de funcionamiento de COOL → MONEY SAVER → FAN.

- COOL :

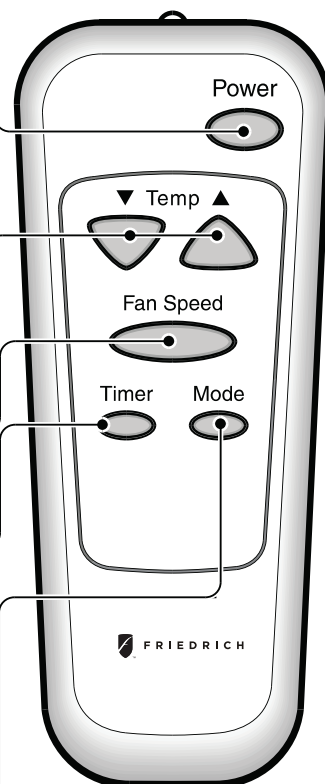
- El ventilador funciona continuamente durante el funcionamiento normal de enfriamiento.

- MONEY SAVER :

- El ventilador cesará cuando el compresor cese de enfriar. Aproximadamente cada 3 minutos el ventilador se encenderá y la unidad comprobará el aire para determinar si es necesario seguir enfriando.

- FAN :

- Funcionamiento sólo del ventilador.



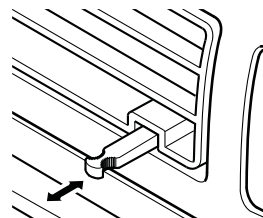
Controles adicionales e información importante.

Control de ventilación

Presione la palanca hasta la posición "CLOSE" para enfriar, calentar o sólo para hacer recircular el aire del cuarto.

Tire de la palanca hasta la posición "OPEN" para sacar humo o el aire enrarecido de un cuarto.

Esta función se utiliza mejor junto con la posición SÓLO FAN ONLY.



TIRAR PARA ABRIR/PRESIONAR PARA CERRAR

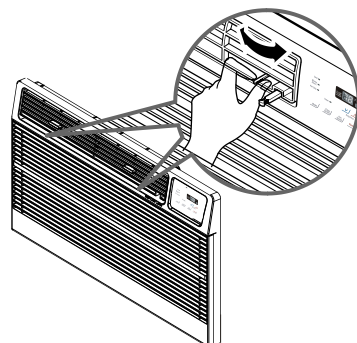
Dirección del aire

La dirección del aire puede controlarse ajustando las rejillas de ventilación horizontales y verticales.

• CONTROL HORIZONTAL DE LA DIRECCIÓN DEL AIRE

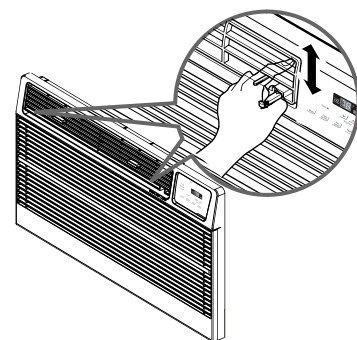
La dirección horizontal del aire puede ajustarse moviendo la rejilla de ventilación vertical.

La palanca de la rejilla de ventilación vertical está situada en el lado izquierdo y en el derecho de la salida de aire.



• CONTROL VERTICAL DE LA DIRECCIÓN DEL AIRE

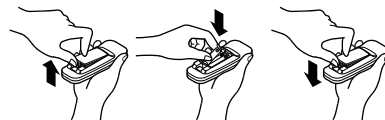
La dirección vertical del aire puede ajustarse moviendo la rejilla de ventilación horizontal.



Inserción de pila en el mando a distancia

1. Retire la tapa en la parte posterior del mando a distancia.
2. Introduzca una batería.
 - Asegúrese que (+) y (-) son correctos.
 - Asegúrese de que la batería es nueva.
3. Vuelva a colocar la tapa.
 - No utilice una batería recargable.
 - A fin de evitar toda descarga, extraiga la batería del control remoto si el aire acondicionado no se va a utilizar durante un largo periodo de tiempo.

Para mantener el óptimo funcionamiento del mando a distancia, no debe exponer el sensor a distancia a la luz directa del sol.



Cuidado y mantenimiento

APAGUE EL AIRE ACONDICIONADO Y RETIRE EL ENCHUFE DE LA TOMA DE ALIMENTACIÓN.

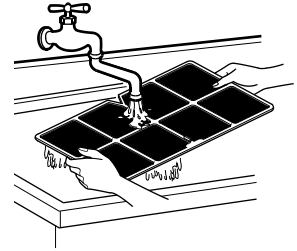
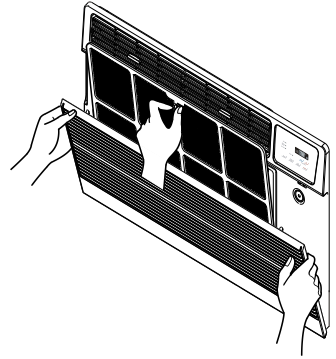
Limpieza del filtro de aire

El filtro de aire deberá revisarse al menos dos veces al mes para comprobar si es necesario limpiarlo.

Las partículas atrapadas en el filtro se acumularán y bloquearán el flujo de aire. Esto reduce la capacidad de enfriamiento y además puede causar una acumulación de escarcha en las bobinas de enfriamiento.

Si el filtro se rasgare o resultara dañado, deberá sustituirlo inmediatamente. Su vendedor, distribuidor y centros autorizados de asistencia al cliente tienen filtros de repuesto disponibles.

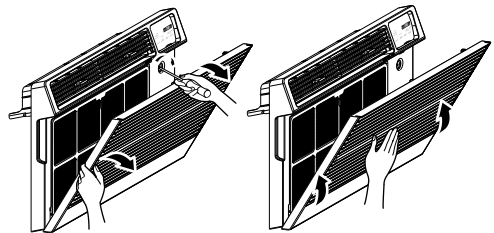
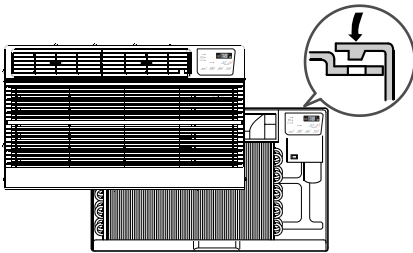
1. Abra la rejilla de entrada hacia abajo agarrando los bordes exteriores superiores de la rejilla de entrada y tirando de ellos hacia usted.
2. Retire el filtro de aire del montaje de la rejilla frontal tirando levemente del filtro de aire hacia arriba.
3. Lave el filtro con agua tibia y un detergente suave.
4. Sacuda suavemente todo el exceso de agua del filtro. Asegúrese que el filtro esté totalmente seco y vuelva a colocarlo en la unidad.



Acoplamiento de la rejilla frontal a la carcasa

La rejilla frontal puede retirarse por motivos de limpieza o para examinar el modelo y los números de serie. Por seguridad, acople la rejilla frontal siguiendo los procedimientos a continuación.

1. Tire hacia abajo de la rejilla frontal desde la parte superior de la carcasa.
2. Presione las extremidades de la rejilla frontal hacia la carcasa para insertar las lengüetas de la rejilla frontal en la carcasa.
3. Abra la rejilla de entrada.
4. Apriete el tornillo a través de la rejilla frontal sobre la placa de la caja de control.
5. Cierre la rejilla de entrada.

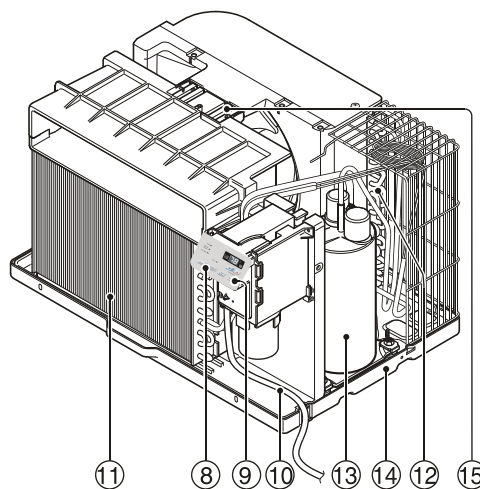
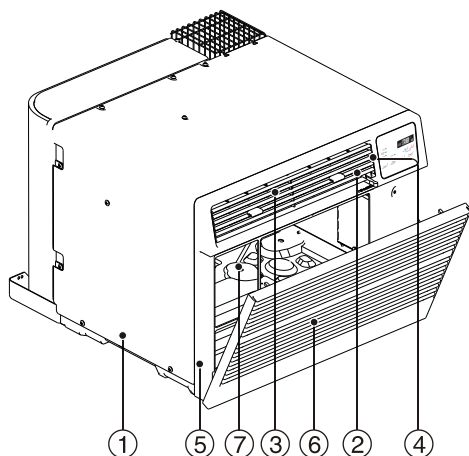


Piezas

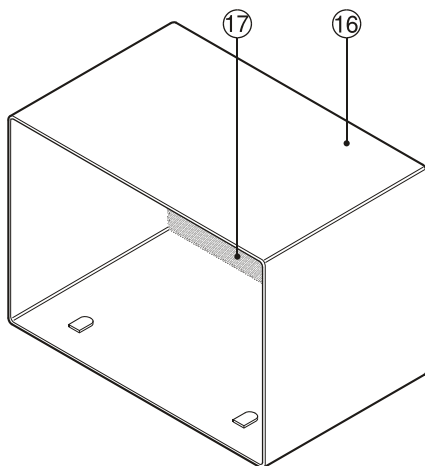
Aprender los nombres de las piezas antes de la instalación le ayudará a entender el procedimiento de instalación.

Piezas

La unidad



Gabinete de la rejilla posterior (vendida por separado)



- | | |
|--|---|
| 1. CARCASA | 10. CABLE DE ALIMENTACIÓN |
| 2. DESVIADOR HORIZONTAL DE AIRE
(Rejilla de ventilación vertical) | 11. EVAPORADOR |
| 3. DESVIADOR VERTICAL DE AIRE
(Rejilla de ventilación horizontal) | 12. CONDENSADOR |
| 4. DESCARGA DE AIRE | 13. COMPRESOR |
| 5. REJILLA FRONTAL | 14. BANDEJA BASE |
| 6. REJILLA DE ENTRADA (Entrada de aire) | 15. ABRAZADERA |
| 7. FILTRO DE AIRE | 16. MONTAJE DEL GABINETE
(Incluye rejilla expandida posterior de aluminio) |
| 8. TABLERO DE CONTROL | 17. REJILLA POSTERIOR |
| 9. BOTONES | |

Instalación

Retire la hoja de embalaje de la parte posterior del gabinete, la esquina del embalaje y la cinta azul del aire acondicionado.

REQUISITOS DE INSTALACIÓN

Si utiliza un gabinete de pared existente, deberá medir bien sus dimensiones.

Instale el nuevo aire acondicionado según estas instrucciones de instalación para lograr el mejor rendimiento.

Todos los gabinetes de pared utilizados para montar el nuevo aire acondicionado deben estar en buenas condiciones estructurales y tener una rejilla posterior para acoplar el nuevo aire acondicionado con seguridad. (FIG. 1)

La instalación del gabinete FRIEDRICH USC asegura el óptimo funcionamiento del nuevo aire acondicionado. (FIG. 2)

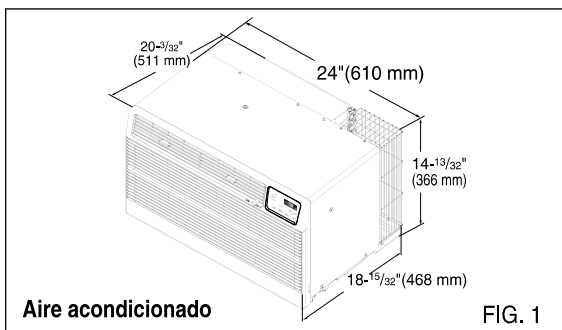


FIG. 1

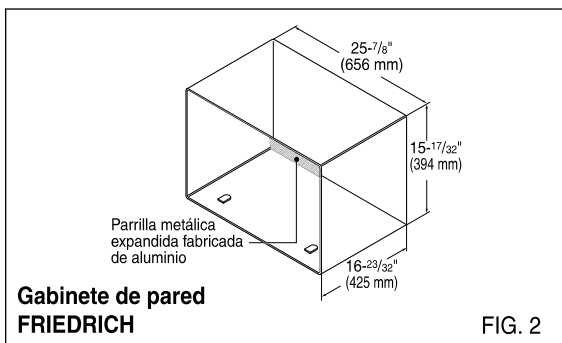


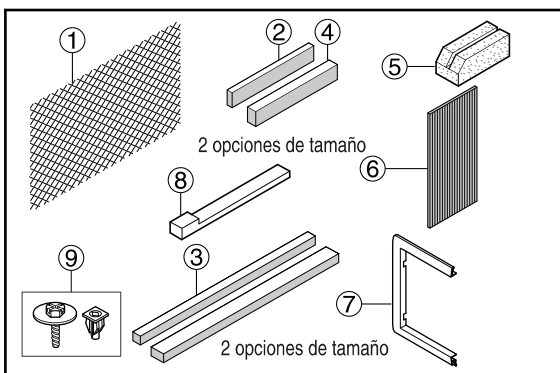
FIG. 2

SERVICIO ELECTRICO

Revise su servicio eléctrico disponible. La fuente de alimentación disponible debe ser igual a la indicada en la placa del fabricante de la unidad (situada sobre el lado izquierdo de la carcasa).

Todos los modelos están equipados con un enchufe de tres dientes para proporcionar el servicio adecuado y poner a tierra el producto de forma segura. No modifique el enchufe de ninguna forma. No utilice un enchufe adaptador. Si su actual enchufe de pared no coincide con su enchufe, llame a electricista cualificado para realizar las correcciones necesarias. GUARDE LA CAJA de almacenaje y el MANUAL DEL PROPIETARIO para futuras consultas. La caja de cartón es la mejor forma de almacenar la unidad durante el invierno o cuando no esté en uso.

HARDWARE DE INSTALACIÓN



ARTÍCULO	NOMBRE DE PIEZA	CANTIDAD
①	REJILLA PLÁSTICA	1
②	TIRA DE AISLAMIENTO VERTICAL	1
③	BANDAS DE AISLAMIENTO CIRCUNDANTES	2
④	TIRA DE AISLAMIENTO HORIZONTAL	1
⑤	SOPORTE DE AYUDA	2
⑥	ALTAVOZ	1
⑦	BASTIDOR COMPENSADO	2
⑧	CUÑA	2
⑨	TUERCAS PLÁSTICAS Y TORNILLOS DE ARANDELA	4

⚠ PRECAUCIÓN

Para evitar el riesgo de daños corporales, materiales, o daños al producto debido al peso de este dispositivo y a sus bordes afilados, tenga en cuenta que:

- Los aires acondicionados cubiertos en este manual representan un riesgo por peso excesivo. Son necesarias dos o más personas para desplazar e instalar la unidad.
- Para evitar lesiones utilice las técnicas adecuadas de elevación y transporte al mover la unidad.
- Examine cuidadosamente la ubicación donde instalará el aire acondicionado. Asegúrese que aguantará el peso de la unidad durante un largo período de tiempo.
- Manipule el aire acondicionado con cuidado. Utilice guantes protectores siempre que levante o desplace la unidad. EVITE tocar los bordes de metal afilados de las bobinas frontal y posterior.
- Asegúrese que el aire acondicionado no se caiga durante la instalación.

HERRAMIENTAS NECESARIAS:

- Guantes ajustados
- Destornillador estándar
- Destornillador Phillips
- Alicates
- Cuchillo afilado
- Llave de extremo abierto de 3/8 pulgadas o llave ajustable
- Toma hexagonal y trinquete de 1/4 pulgada
- Cinta métrica
- Taladro eléctrico
- Broca de taladro de 1/4 pulgada

INSTALACIÓN

⚠ PRECAUCIÓN

La instalación del gabinete FRIEDRICH USC asegura el óptimo funcionamiento de la unidad.

Si usted decide guardar el gabinete de pared existente, tendrá que redirigir las rejillas de ventilación en la parte posterior del gabinete de pared. Consulte la fig. 9 en la pág. 14. Recomendamos el uso de alicates. Si NO las redirige, correrá el riesgo de experimentar un rendimiento pobre o averías prematuras en el producto. Esto no está cubierto por los términos de garantía de FRIEDRICH.

- Escoja una ubicación que permita al aire ya acondicionado pasar al área que usted desea. Una buena instalación, con especial atención a la posición correcta de la unidad, disminuirá la necesidad de asistencia por parte del equipo técnico.

ARTÍCULOS EN EL HARDWARE DE INSTALACIÓN

Usted puede no necesitar todas las piezas del kit. Deseche las piezas no utilizadas.

ARTÍCULO (pulgadas)		Cantidad
Rejilla plástica	26 ³ / ₄ x 16 ¹ / ₂	1
Tira de aislamiento vertical	15 ⁹ / ₁₆ x 1 ³ / ₈ x 1 ³ / ₈	1
Bandas de aislamiento circundantes	67 ¹ / ₈ x 1 ³ / ₈ x 2 ⁵ / ₃₂	1
	59 ²⁷ / ₃₂ x 1 ³ / ₈ x 1 ³ / ₈	1
Tira de aislamiento horizontal	23 ⁷ / ₃₂ x 1 ³ / ₈ x 1 ³ / ₁₆	1
SopORTE de ayuda	1 ³ / ₄ x 1 ³ / ₈ x 4 ⁵ / ₁₆	2
Altavoz	14 x 4 ¹ / ₂ x 1 ¹ / ₈	1
Cuña	11 ¹³ / ₁₆ x 1 x 3 ³ / ₄	2
Bastidor compensado		2
Tornillo de arandela		4
Tuercas (plástico)		4
Deflector de aire trasero		1

INSTRUCCIONES DE INSTALACIÓN

- 1 Antes de instalar la unidad, identifique el gabinete de pared existente de la lista a continuación.

Marca	Dimensiones del gabinete (pulgadas)		
	Anchura	Altura	Profundidad
White-Westinghouse Frigidaire Carrier (Serie 52F)	25-1/2	15-1/4	16, 17-1/2 or 22
General Electric Hotpoint	26	15-5/8	16-7/8
Whirlpool	25-7/8	16-1/2	17-1/8 or 23
Fedders/Emerson Friedrich WSC	27	16-3/4	16-3/4 or 19-3/4
FRIEDRICH USC	25-7/8	15-17/32	16-23/32
Emerson/Fedders	26-3/4	15-3/4	15
Carrier (Serie 51S)	25-3/4	16-7/8	18-5/8

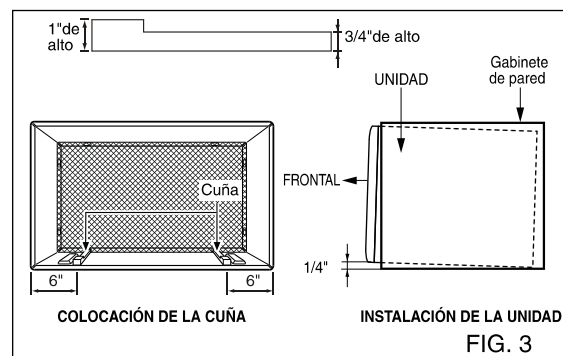
NOTA: Todos los gabinetes de pared utilizados para montar el nuevo aire acondicionado deben estar en buenas condiciones estructurales y tener una rejilla posterior para acoplar el nuevo aire acondicionado con seguridad al gabinete o pestaña posterior que sirva como tope para el aire acondicionado.

- 2 Desmunte su antiguo aire acondicionado del gabinete de pared existente.
- 3 Limpie el interior del gabinete existente. (No manipule los sellos.)
- 4 El gabinete de pared debe sujetarse de forma segura a la pared antes de instalar el aire acondicionado. Utilice los clavos o tornillos a través del gabinete hasta la pared, si fuera necesario. Vuelva a pintar el gabinete si lo considera necesario.
- 5 Prepare el gabinete de pared para la instalación de la unidad. Si planea utilizar el gabinete existente, y no es FRIEDRICH, utilice el procedimiento B ó C explicado más abajo.

Procedimiento	Marca	Profundidad (pulgadas)
A (página 13)	FRIEDRICH USC	16-23/32
B (páginas 14-15)	White-Westinghouse Frigidaire Carrier (serie 52F)	16, 17-1/2 or 22
	General Electric /Hotpoint	16-7/8
	Whirlpool	17-1/8 or 23
C (páginas 16-17)	Carrier (serie 51S)	18-5/8
	Fedders/Emerson	16-3/4
	Friedrich WSC	or 19-3/4
	Emerson/Fedders	15

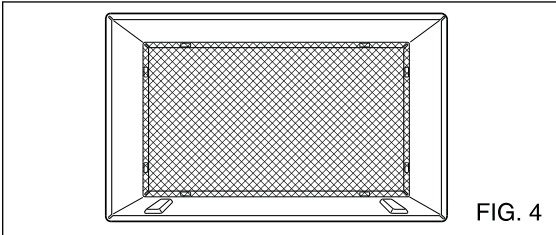
- 6 Instale la nueva unidad en el gabinete de pared.

PRECAUCIÓN: Una vez finalizada la instalación, la unidad de repuesto DEBE tener una pendiente hacia atrás como la que se muestra. Para alcanzar una pendiente del 1/4", retire la parte posterior de las bandas de cuña de 11-13/16" y acóplelas según se muestra a continuación en la fig. 3. Coloque la parte más alta de la cuña en la parte frontal del pilar en la base del gabinete de pared.

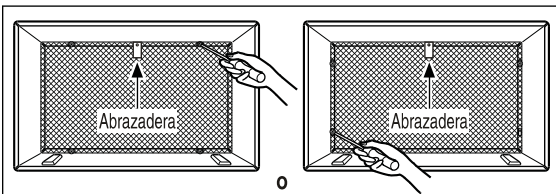


PROCEDIMIENTO A

- 1** Si usted está utilizando el gabinete nuevo (incluido opcionalmente con su unidad), pase al paso 3. De lo contrario, instale la rejilla plástica del kit. Corte la rejilla plástica a 25-1/2" de ancho y 15-1/4" de alto. Coloque la rejilla plástica en el interior del gabinete de pared en la pestaña posterior.



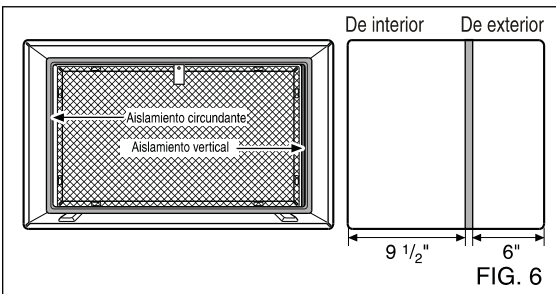
- 2** Apriete los 4 tornillos de la arandela para asegurar la rejilla al gabinete de pared. Si usted necesita tuercas plásticas para montar la rejilla plástica en el interior del gabinete de pared, hay tuercas plásticas en el kit de instalación. Las tuercas se instalan desde el interior del gabinete y presionan las perforaciones rectangulares de las pestañas posteriores. Sujete la abrazadera a la parte superior del gabinete de pared mediante el tornillo de la arandela. La abrazadera evita que la unidad se salga del gabinete.



Apriete los tornillos y la abrazadera

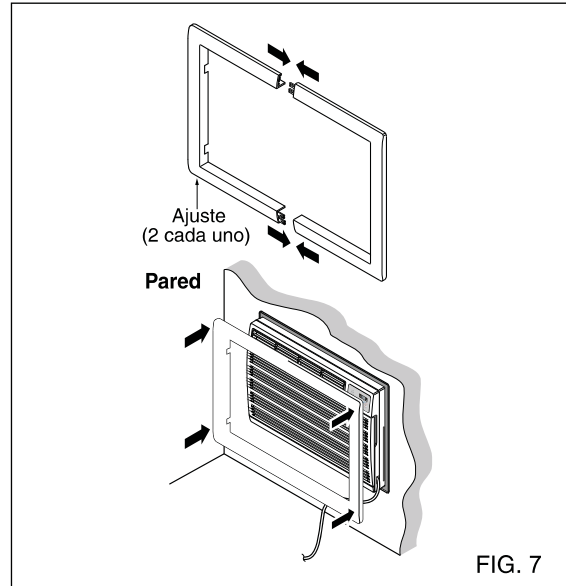
FIG. 5

- 3** Retire la parte de atrás de la tira de aislamiento vertical de 15 9/16 x 1 3/8 x 1 3/8 y acóplela a la parte interior derecha del gabinete según se muestra a continuación. Retire la parte de atrás de la tira de aislamiento circundante de 67 1/8 x 1 3/8 x 25/32 y acóplela a la parte frontal interior del gabinete según se muestra a continuación.



- 4** Instale la nueva unidad en el gabinete de pared.

- 5** Para montar el equilibrado, encaje a presión la lengüeta de cada pieza en la ranura de la otra pieza según se muestra a continuación. Deslice el ajuste sobre la parte frontal del aire acondicionado hasta que el ajuste esté rasante con el gabinete según se muestra a continuación.



PRECAUCIÓN

- Los aires acondicionados cubiertos en este manual representan un riesgo por peso excesivo. Son necesarias dos o más personas para desplazar e instalar la unidad. Para evitar lesiones utilice las técnicas adecuadas de elevación y transporte al mover la unidad.
- Al manipular el aire acondicionado, tenga cuidado de evitar cortes de aristas de metal afiladas en las bobinas frontal y posterior.
- Asegúrese que la unidad de aire acondicionado no se caiga durante el desplazamiento.
- Si la unidad no funciona tras la revisión de la instalación, asegúrese que el interruptor del circuito no se ha activado. Consulte la guía de solución de averías para conocer el procedimiento de restablecimiento.

PROCEDIMIENTO B

- 1 Vuelva a dirigir las rejillas de ventilación en la parte posterior del gabinete de pared en un ángulo de 60° según se muestra en la FIGURA 9. Recomendamos el uso de alicates.

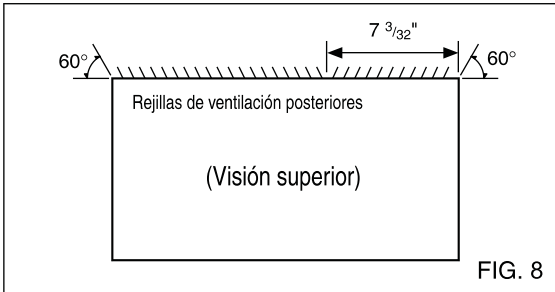
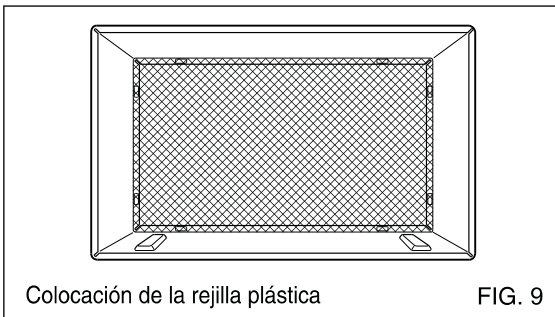


FIG. 8

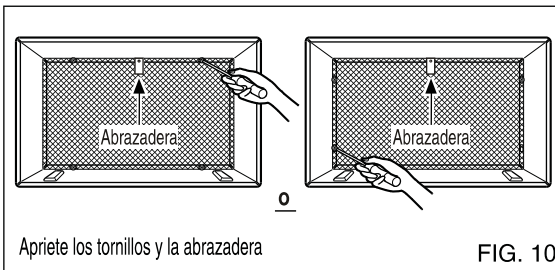
- 2 Si el gabinete de pared ya cuenta con una rejilla posterior, pase al paso 4. Si el gabinete de pared no cuenta con una rejilla posterior o un panel con rejillas de ventilación, instale la rejilla plástica del kit. Corte la rejilla plástica a 25-1/2" de ancho y 15-1/4" de alto. Coloque la rejilla plástica en el interior del gabinete de pared en la pestaña posterior.



Colocación de la rejilla plástica

FIG. 9

- 3 Apriete los 4 tornillos de la arandela para asegurar la rejilla al gabinete de pared. Si usted necesita tuercas plásticas para montar la rejilla plástica en el interior del gabinete de pared, hay tuercas plásticas en el kit de instalación. Las tuercas se instalan desde el interior del gabinete y presionan las perforaciones rectangulares de las pestañas posteriores. Sujete la abrazadera a la parte superior del gabinete de pared mediante el tornillo de la arandela. La abrazadera evita que la unidad se salga del gabinete.



Apriete los tornillos y la abrazadera

FIG. 10

- 4 Retire la parte de atrás de la tira de aislamiento vertical de 15 9/16 x 1 3/8 x 1 3/8 y acóplela a la parte interior derecha del gabinete según se muestra a continuación. Retire la parte de atrás de la tira de aislamiento circundante de 67 1/8 x 1 3/8 x 25/32 y acóplela a la parte frontal interior del gabinete según se muestra a continuación.

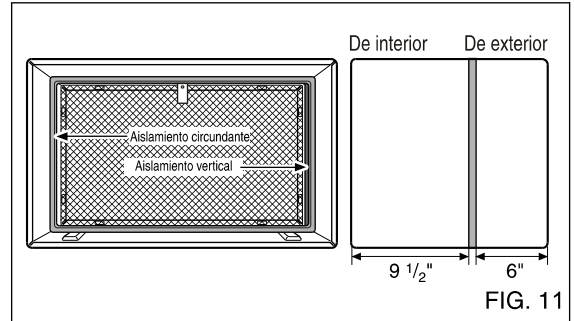


FIG. 11

- 5 Si la profundidad de su gabinete de pared existente es menor que o igual a 18", pase al paso 7. De lo contrario, corte los altavoces y los soportes de ayuda según la longitud "A" en la tabla a continuación.

Profundidad "D" del gabinete de pared existente (pulgadas)	Longitud "A" (pulgadas)
$18 < D \leq 18\text{-}5/8$	$3/4$
$18\text{-}5/8 < D \leq 19\text{-}3/4$	$1\text{-}3/4$
$19\text{-}3/4 < D \leq 22$	4

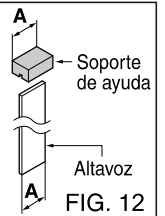
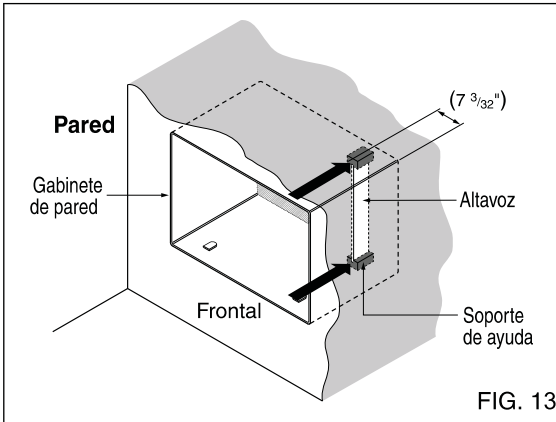


FIG. 12

PROCEDIMIENTO B CONTINUADO

- 6** Retire la parte de atrás de los soportes de ayuda y acóplelos en la parte interior del gabinete de pared como se muestra en la FIGURA 13. Deslice el altavoz sobre las ranuras de los soportes de ayuda.



- 7** Instale la nueva unidad en el gabinete de pared.
- 8** Monte el ajuste según lo descrito en el paso 5, procedimiento A.

⚠ PRECAUCIÓN

- Los aires acondicionados cubiertos en este manual representan un riesgo por peso excesivo. Son necesarias dos o más personas para desplazar e instalar la unidad. Para evitar lesiones utilice las técnicas adecuadas de elevación y transporte al mover la unidad.
- Al manipular el aire acondicionado, tenga cuidado de evitar cortes de aristas de metal afiladas en las bobinas frontal y posterior.
- Asegúrese que la unidad de aire acondicionado no se caiga durante el desplazamiento.
- Si la unidad no funciona tras la revisión de la instalación, asegúrese que el interruptor del circuito no se ha activado. Consulte la guía de solución de averías para conocer el procedimiento de restablecimiento.

PROCEDIMIENTO C

- 1 Vuelva a dirigir las rejillas de ventilación en la parte posterior del gabinete de pared en un ángulo de 60° según se muestra en la FIGURA 14. Recomendamos el uso de alicates.

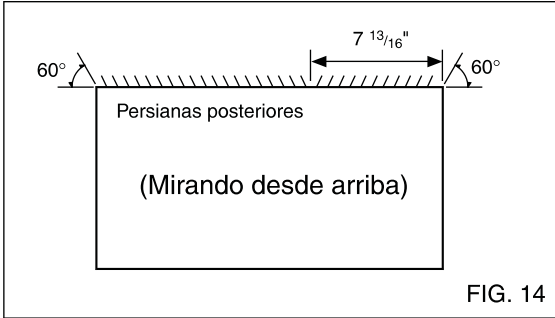
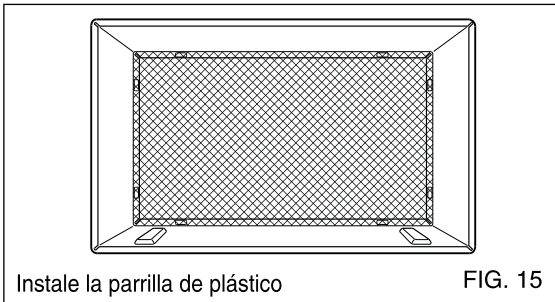


FIG. 14

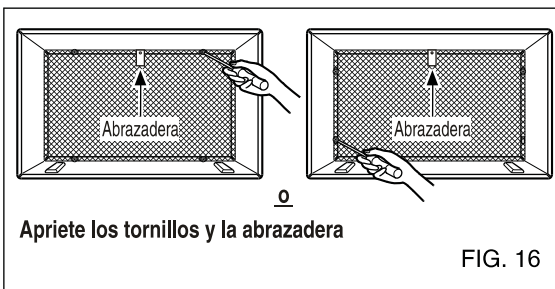
- 2 Si el gabinete de pared ya cuenta con una rejilla posterior, pase al paso 4. Si el gabinete de pared no cuenta con una rejilla posterior o un panel con rejillas de ventilación, instale la rejilla plástica del kit. Corte la rejilla plástica a 25-1/2" de ancho y 15-1/4" de alto. Coloque la rejilla plástica en el interior del gabinete de pared en la pestaña posterior.



Instale la parrilla de plástico

FIG. 15

- 3 Apriete los 4 tornillos de la arandela para asegurar la rejilla al gabinete de pared. Si usted necesita tuercas plásticas para montar la rejilla plástica en el interior del gabinete de pared, hay tuercas plásticas en el kit de instalación. Las tuercas se instalan desde el interior del gabinete y presionan las perforaciones rectangulares de las pestañas posteriores. Sujete la abrazadera a la parte superior del gabinete de pared mediante el tornillo de la arandela. La abrazadera evita que la unidad se salga del gabinete.



Apriete los tornillos y la abrazadera

FIG. 16

- 4 Retire la parte de atrás de la tira de aislamiento vertical de 15 9/16 x 1 3/8 x 1 3/8 y acóplela a la parte interior derecha del gabinete según se muestra a continuación. Retire la parte de atrás de la tira de aislamiento circundante de 67 1/8 x 1 3/8 x 25/32 y acóplela a la parte frontal interior del gabinete según se muestra a continuación.

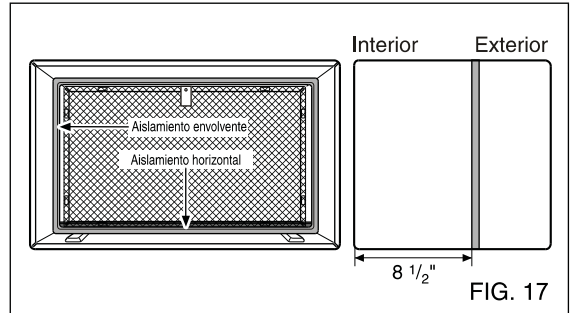


FIG. 17

- 5 Si la profundidad de su gabinete de pared existente es menor que o igual a 18", pase al paso 7. De lo contrario, corte los altavoces y los soportes de ayuda según la longitud "A" en la tabla a continuación.

Profundidad "D" del gabinete de pared existente (pulgadas)	Longitud "A" (pulgadas)
$18 < D \leq 18\text{-}5/8$	$3/4$
$18\text{-}5/8 < D \leq 19\text{-}3/4$	$1\text{-}3/4$
$19\text{-}3/4 < D \leq 22$	4

FIG. 18

- 6 Retire la parte de atrás de los soportes de ayuda y acóplelos en la parte interior del gabinete de pared como se muestra en la FIGURA 19. Deslice el altavoz sobre las ranuras de los soportes de ayuda.

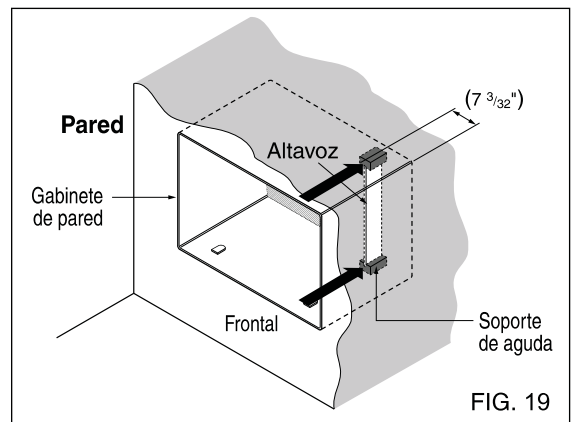
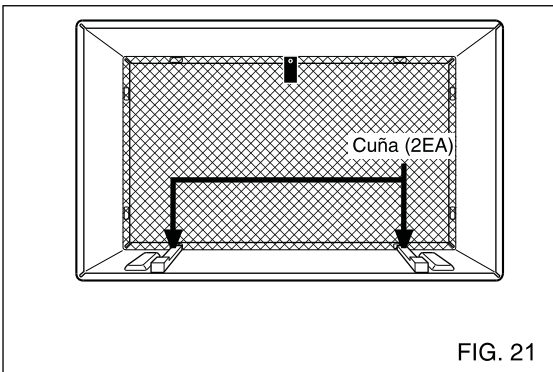


FIG. 19

PROCEDIMIENTO C CONTINUADO

- 7** Para alcanzar la pendiente adecuada para el drenaje de la unidad, retire la parte posterior de las bandas de cuña de 11-13/16" y acóplelas según se muestra a continuación en la fig. 21. Coloque la parte más alta de la cuña en la parte frontal del pilar en la base del gabinete de pared.



- 8** Instale la nueva unidad en el gabinete de pared.
- 9** Para montar el equilibrado siga lo descrito en el paso 6, procedimiento A.

PRECAUCIÓN

- Los aires acondicionados cubiertos en este manual representan un riesgo por peso excesivo. Son necesarias dos o más personas para desplazar e instalar la unidad.
Para evitar lesiones utilice las técnicas adecuadas de elevación y transporte al mover la unidad.
- Al manipular el aire acondicionado, tenga cuidado de evitar cortes de aristas de metal afiladas en las bobinas frontal y posterior.
- Asegúrese que la unidad de aire acondicionado no se caiga durante el desplazamiento.
- Si la unidad no funciona tras la revisión de la instalación, asegúrese que el interruptor del circuito no se ha activado. Consulte la guía de solución de averías para conocer el procedimiento de restablecimiento.

Antes de solicitar asistencia técnica...

Consejos sobre la solución de averías

¡Los consejos de solución de averías ahorran tiempo y dinero!
Primero revise el gráfico a continuación y puede que no necesite llamar al servicio técnico.

Funcionamiento normal

- Podría escuchar un ruido metálico causado por la toma de agua y que es lanzada contra el condensador en días lluviosos o cuando el nivel de humedad es alto. Esta característica de diseño elimina la humedad y mejora la eficacia.
- También puede que escuche un clic del termostato cuando el compresor complete un ciclo de encendido y apagado.
- El agua se recogerá en la bandeja base durante días con un alto nivel de humedad o en días lluviosos. El agua puede desbordar la bandeja y salirle por el lado exterior de la unidad.
- El ventilador puede funcionar incluso cuando no lo hace el compresor.

Funcionamiento anormal

Problema	Causas posibles	Qué hacer
El aire acondicionado no se enciende	■ El aire acondicionado está desenchufado.	• Asegúrese que el enchufe del aire acondicionado esté totalmente dentro de la toma de pared.
	■ El fusible se ha fundido/interruptor está activado.	• Revise la caja de fusibles/interruptores y cambie el fusible o restablezca el interruptor.
	■ Caída de tensión.	• En caso de caída de tensión, cambie el modo de control a APAGADO. Cuando la tensión se restablezca, espere 3 minutos para reiniciar el aire acondicionado y prevenir la activación por sobrecarga del compresor.
El aire acondicionado no enfría como debiera	■ El flujo de aire está bloqueado.	• Asegúrese que no haya cortinas, persianas, o muebles bloqueando la parte frontal del aire acondicionado.
	■ Puede que el TERMÓSTATO no esté configurado lo suficientemente alto.	• Presione el botón de configuración de la temperatura al ajuste más frío de 60.
	■ El filtro de aire está sucio.	• Limpie el filtro al menos cada 2 semanas. Consulte la sección de instrucciones de funcionamiento.
	■ El cuarto puede haber estado muy caliente.	• Al encender el aire acondicionado por primera vez, es necesario esperar un tiempo a que el cuarto se enfríe.
	■ El aire frío se está escapando.	• Compruebe los registros de suelo y conductos de retorno de aire frío. • Establezca el orificio de respiración del aire acondicionado en posición de cerrado.
El aparato de aire acondicionado se congela	■ Las bobinas de enfriamiento se han congelado.	• Consulte la 'Congelación del aire acondicionado' más abajo.
	■ El hielo bloquea el flujo de aire y evita que el aire acondicionado siga enfriando el cuarto.	• Establezca el control de modo en Med Fan o High Cool con el termostato hacia la izquierda.



F R I E D R I C H

Friedrich Air Conditioning Company

10001 Reunion Place, Suite 500

San Antonio, Tx 78216

800.541.6645

www.friedrich.com

AIRE ACONDICIONADO DE HABITACIÓN

GARANTÍA LIMITADA

EL PRIMER AÑO

CUALQUIER PIEZA: Si cualquier pieza suministrada por FRIEDRICH falla debido a un defecto de fabricación o de material dentro de los doce meses a partir de la fecha original de compra, FRIEDRICH reparará el producto sin costo adicional, siempre cuando el aire acondicionado de la habitación esté accesible para servicio. El propietario será responsable de cualquier costo adicional de mano de obra para desinstalar unidades inaccesibles y/o cargos relacionados con los viajes de una agencia de servicio que excede de 25 millas. Esta garantía sólo será válida 12 meses después de la fecha de compra original.

SEGUNDO A QUINTO AÑO

SISTEMA DE ENFRIAMIENTO: Si el sistema de enfriamiento (para este propósito se define como el compresor, serpentín de evaporador y del condensador, válvula de retorno, válvula de retención, capilar, filtro, secador, todas las tuberías de interconexión) suministrados por FRIEDRICH fallan debido a un defecto de fabricación o de material dentro de los sesenta meses a partir de la fecha original de compra, FRIEDRICH pagará un subsidio de mano de obra y las partes necesarias para reparar el sistema de enfriamiento, asumiendo que FRIEDRICH no pagará el costo del diagnóstico del problema, desinstalación, los gastos de flete y transporte del aire acondicionado a la Agencia de Servicio, y los cargos asociados con la reparación y la reinstalación del sistema de refrigerante sellado. Todos los gastos se harán de la exclusiva responsabilidad del propietario. Esta garantía sólo será válida 60 meses después de la fecha de compra original.

APLICABILIDAD Y LIMITACIONES: Esta garantía sólo es aplicable a las unidades dentro de los cincuenta estados de los EE.UU., Distrito de Columbia y Canadá.

Esta garantía no se aplica a:

1. Filtros de aire o fusibles.
2. Productos en los que los números de modelo y de serie han quitado.
3. Los productos que tienen defectos o daños que son debidos a una mala instalación, cableado, corriente eléctrica, o mantenimiento; accidente, abuso, negligencia, mal uso, incendios, inundaciones, alteraciones, unidades instaladas en una atmósfera corrosiva, retraso en funcionamiento debidos a la guerra, restricciones del gobierno, huelgas, provocados por la escasez de materiales fuera del control de FRIEDRICH, o actos de Dios

OBTENIENDO RESULTADOS DE LA GARANTIA: El servicio será suministrado por el distribuidor autorizado de servicio o la Organización de Servicio de FRIEDRICH en su área. Se podrán encontrar en las Páginas Amarillas. Si se requiere asistencia con la garantía.

LIMITACIONES: ESTA GARANTÍA SE DA EN LUGAR DE CUALQUIER OTRA GARANTÍA Cualquier objeto incluido en esta garantía, CUALQUIER GARANTÍA IMPLÍCITA PARA UN PROPÓSITO EN PARTICULAR Y/O MERCANTIL SERA LIMITADA POR LA DURACION DE ESTA GARANTIA. EL FABRICANTE DECLARA EXPLICITAMENTE Y SE DESLINDA DE CUALQUIER RESPONSABILIDAD POR DAÑOS CONSECUENTES O INCIDENTALES POR INCUMPLIMIENTOS EN ACUERDOS DE CUALQUIER GARANTIA EXPLICITA O IMPLICITA.

La ejecución de la obligación de la garantía de Friedrich está limitada a cualquiera de los siguientes métodos:

1. Reparación de la unidad.
2. Reembolso al cliente por el valor prorrateado de la unidad basado en el periodo remanente de la garantía de la unidad.
3. Proveyendo el reemplazo de una unidad de igual valor.

El método de cumplimiento de la obligación de la garantía de Friedrich es a la sola discreción de Friedrich Air Conditioning.

AVISO: Algunos estados no permiten limitaciones en la duración de una garantía, o no permiten la limitación o exclusión de consecuencias o daños indirectos o incidentales; por lo que las exclusiones y las limitaciones anteriores no se aplicaran a usted.

OTROS: Esta garantía le da derechos legales específicos para que reciba servicios relacionados con la garantía.

COMPROBANTE DE COMPRA: El propietario debe entregar el comprobante de compra para poder recibir servicios de garantía .

Todas las llamadas de servicio para explicar el funcionamiento de este producto, será responsabilidad del consumidor.

La agencia de servicio autorizado de FRIEDRICH debe de dar servicio de garantía, o FRIEDRICH debe dar autorización antes que se haga la reparación.



F R I E D R I C H

FRIEDRICH AIR CONDITIONING CO.

Visit our web site at www.friedrich.com

10001 Reunion Place, Suite 500 • San Antonio, TX 78216
(800)541-6645



P/NO.: MFL67372402

920-136-01(10/10)