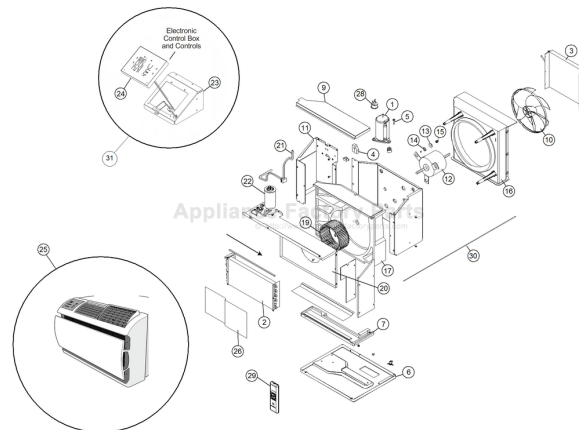


This Owner's Manual is provided and hosted by [Appliance Factory Parts](#).



# FRIEDRICH WS12D30-A Owner's Manual

[Shop genuine replacement parts for FRIEDRICH  
WS12D30-A](#)



[Find Your FRIEDRICH Air Conditioner Parts - Select From 1577 Models](#)

----- Manual continues below part list -----

## Available Replacement Parts for FRIEDRICH WS12D30-A

<a href="#">P62100700</a>	COVER TOP TYPE=RAC
<a href="#">P62102100</a>	SCROLL TYPE=RAC
<a href="#">P62102000</a>	SHROUD TYPE=RAC
<a href="#">P60500384</a>	SPLY CRD 13A 250V 16G STR 90DEG TYPE=RAC
<a href="#">P61871400</a>	MTR 1/3HP 3 SP 230V CCWLE
<a href="#">P60610626</a>	BLOWER WHEEL
<a href="#">P60865812</a>	Air Filter
<a href="#">P61080593</a>	Capacitor
<a href="#">P61607009</a>	Decorative Front Assembly
<a href="#">P61718125</a>	Compressor Kit
<a href="#">P61826612</a>	Remote Control
<a href="#">P61921219</a>	E-Control Board
<a href="#">P62101505</a>	Condenser Fan Blade
<a href="#">P91400402</a>	Compressor Bolt



**F R I E D R I C H**

## **Thru-the-wall**

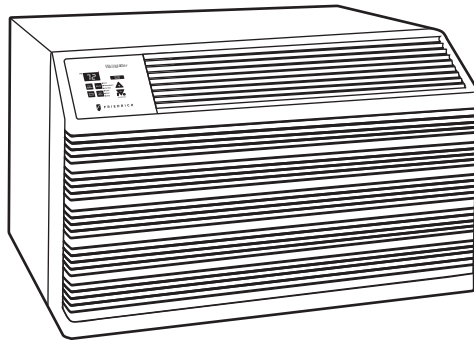
### **Air Conditioners and Heat Pumps**

---

**WallMaster**

115-Volt: WS08, WS10, WS12

230-Volt: WS10, WS13, WS15, WE10, WE13, WE15, WY09, WY12



---

# Table of Contents

Your Safety and the safety of others .....	3
<b>General Information</b>	
Economizing Tips .....	3
Electrical Data .....	3
<b>Introduction</b>	
How to operate your Friedrich room air conditioner .....	4
To start unit .....	4
To set mode of operation.....	4
To adjust temperature .....	4
To adjust fan speed.....	4
To activate Smart Fan.....	4
To set hour clock.....	4
To set the timer .....	4
Automatic component protection .....	5
Using the remote control .....	5
How to clean the air filter .....	6
How to change airflow direction.....	7
How to cover inner weather panel holes.....	7
Electrical requirements.....	7
Never use an extension cord.....	8
Power cord information.....	8
Troubleshooting tips and home maintenance .....	8
<b>Installation instructions for WSD sleeve</b>	
Mounting hardware.....	9
Wall preparation.....	9
Installation requirements .....	10
Sleeve installation.....	10
<b>WallMaster chassis installation instructions</b>	
WS, WE and WY models installation .....	11
Condensate removal .....	12
Alternate drain kits.....	12
Warranty .....	13

# WELCOME to years of economical comfort




Your new Friedrich Room Air Conditioner has been carefully engineered and manufactured to give you many years of dependable, efficient operation, keeping your room at a comfortable temperature and humidity level. Many extra features have been built into your Friedrich Room Air Conditioner to assure quiet operation, greatest circulation of cool, dry air, most flexible selection of function controls, and high economy of operation.

There are many things you can do in and around your home to save more money - and even increase the efficiency and long life of your Friedrich unit. Here are a few examples:


1. Do not block the flow of air to and from the unit - make sure the louvers are directed to give even distribution of air throughout the room. Caution: If air is obstructed and/or deflected back into the air conditioner, this may cause the unit to cycle on and off rapidly, which could damage your unit.
2. Adequate insulation - walls, ceilings, and below floors - can save up to 50% of the cost of cooling in most areas of the country.
3. Caulking - air leaks around doors, windows, lighting and plumbing fixtures can account for as much as 30% of the load on heating and cooling systems. See that all these areas are well caulked.
4. Install weather stripping around exterior doors and windows.
5. Have a fireplace? Be sure the damper is closed during air conditioner operation.
6. When it's time to reroof or repaint the outside of your home, choose light colors. They reflect heat instead of absorbing it.
7. Shade your outside walls (especially on the west) from the direct sun; most importantly, shade the unit itself. Trees and shrubs provide natural shading, but make sure they don't block the air flow around the unit. If natural shade isn't present, awnings are the best solution for shading the unit and the windows. Also, avoid areas where too much dust or pollen would be drawn into the air conditioner.
8. Inside the house, use blinds, screens, or drapes on windows exposed to the sun. They will reduce your cooling needs. (Lined or insulated draperies will also help cut heating costs in winter).
9. Make sure your attic area is properly vented. In addition, consider installing turbine or power ventilators to help remove hot air from your attic.
10. Keep your Friedrich unit clean. Use a vacuum cleaner attachment for accessible parts, but take care not to damage them. Clean the reusable filter at least twice a month.
11. Set the thermostat at a higher temperature - save 5% in energy usage for each degree of temperature over 72°F.

These are some suggestions for saving money on cooling costs. Some, however, may not be applicable to your house or area. Check with your local utility company for more specialized information.

## Electrical Data

Model	Plug Type	Circuit Rating, Breaker or Time Delay Fuse
WS08, WS10, WS12	 NEMA No. 5-15P	125 V-15 AMP
WS10, WS13, WS15	 NEMA No. 6-15P	250V-15AMP
WE10, WE13, WE15, WY09, WY12	 NEMA No. 6-20P	250V-20 AMP

**⚠ WARNING**



**Electrical Shock Hazard**

Make sure your electrical receptacle has the same configuration as your air conditioner's plug. If different, consult a Licensed Electrician.

Do not use plug adapters.

Do not use an extension cord.

Do not remove ground prong.

Always plug into a grounded 3 prong outlet.

Failure to follow these instructions can result in death, fire, or electrical shock.

**Your safety and the safety of others are very important.**

We have provided many important safety messages in this manual and on your appliance. Always read and obey all safety messages.



This is a safety Alert symbol. This symbol alerts you to potential hazards that can kill or hurt you and others.

All safety messages will follow the safety alert symbol with the word "WARNING" or "CAUTION". These words mean:



**WARNING** Indicates a hazard which, if not avoided, can result in severe personal injury or death and damage to product or other property.



**CAUTION** Indicates a hazard which, if not avoided, can result in personal injury and damage to product or other property.

All safety messages will tell you what the potential hazard is, tell you how to reduce the chance of injury, and tell you what will happen if the instructions are not followed.



**NOTICE** Indicates property damage can occur if instructions are not followed.

# How to operate your Friedrich room air conditioner

## To start unit

If your air conditioner is installed and plugged into a proper receptacle, it is ready to go. The first time the unit is started, the compressor will delay for three minutes. See Automatic Component Protection on the following page.

- 1 Touch the **Power** button once. The unit will automatically be in **Cool** mode with the temperature set at 75°F (24°C) and the fan speed at F1, the sleep setting.

## To set mode of operation

When you first turn the unit on, it will be in the **Cool** mode with constant fan.

- 2 On WS cool-only models, touch the **Mode** button once to activate the **MoneySaver**® (WS models only. See item 14 for Money Saver instructions on WY/WE models).

**MoneySaver**® is a feature that cycles the fan with the compressor so that the fan does not run all the time. This saves energy and improves dehumidification. MoneySaver® will also run to test the temperature if the off cycle is too long. Or you may prefer constant fan for more air movement. (To return to constant fan, touch the **Mode** button two more times).

In order to run the fan by itself, do the following:

On WY/WE heat-cool models, touch the **Mode** button once to activate the **Fan Only** feature. The **Fan Only** setting will circulate air in the room without the compressor coming on.

- 3 Continuing from MoneySaver® mode, touch the **Mode** button once to activate the **Fan Only** feature (WS cool-only models).

## To adjust temperature

- 4 Use the **Mode** button to select either the **Cool** or **MoneySaver**® function (or Heat for WY/WE heat-cool models)
- 5 **COOLER** – Touch the **▼** button to lower the room air temperature.
- 6 **WARMER** – Touch the **▲** button to raise the room air temperature.
- 7 Press both the **▲** and **▼** buttons at the same time to switch the temperature from Fahrenheit (°F) to Celsius (°C). Repeat Step 7 to switch from °C back to °F.

## To adjust fan speed

- 8 Touch the **Fan Speed** button to see the current setting. Touch it again to change speed. F1 is the lowest setting (SLEEP SETTING / LOW), F2 is MEDIUM, and F3 is HIGH.

## To activate Smart Fan (WS cool-only models)

- 9 There is a fourth option, **SF**, when selecting the fan speed. This is the SMART FAN function. SMART FAN DOES NOT OPERATE IN CONJUNCTION WITH THE FAN ONLY MODE.

## To activate Smart Fan (WY/WE heat-cool models)

- 9 Press the **Smart Fan** button to activate the Smart Fan. The light will indicate that this feature is in use.

Smart Fan will adjust the fan speed automatically to maintain the desired comfort level. For example, if the outside doors in your home are opened for an extended period of time, or more people enter a room, Smart Fan may adjust to a higher fan speed to compensate for the increased heat load. This keeps you from having to adjust the fan speed on your own.

## To set the hour clock

- 10 Touch the **Set Hour** button to see the current setting. The number that is displayed is the approximate time (hour only). Use the **▲** and **▼** buttons to change the settings. BE SURE TO SET A.M. AND P.M. ACCORDINGLY. (P.M. is indicated by a red light in the upper left corner of the display).

## To set the timer

**NOTE:** Set the HOUR CLOCK (**Set Hour**) before attempting to set timer functions.

You can set the **Start Time** and **Stop Time** a minimum of one hour apart, and a maximum of 23 hours apart.

- 11 After setting the time, press the **Set Hour** button once (Start light on). Use the **▲** and **▼** buttons to select the time that the unit will **START**.
- 12 After selecting the **Start Time**, press the **Set Hour** button once. (Stop Light on). Use the **▲** and **▼** buttons to select the time that the unit will **STOP**. After selecting the stopping time, press the **Set Hour** button once.
- 13 Press the **Timer On/Off** button (light turns on) to activate the timer function. To deactivate this function, press the **Timer On/Off** button once again (light turns off). Once the on and off times have been selected, they will remain in memory and cycle daily until changed.

**NOTE:** If the unit is unplugged or the power is interrupted, the HOUR must be reset or the **Timer On/Off** will not function when desired.

## To Activate Money Saver (WY/WE models)

- 14 Press the **Money Saver** button to activate the Money Saver feature. The light will indicate the Money Saver is in use.

**MoneySaver**® is a feature that cycles the fan with the compressor so that the fan does not run all the time. This saves energy and improves dehumidification. MoneySaver® will also run to test the temperature if the off cycle is too long. Or you may prefer constant fan for more air movement. (To return to constant fan, touch the **Mode** button two more times).

# Digital Control Panels

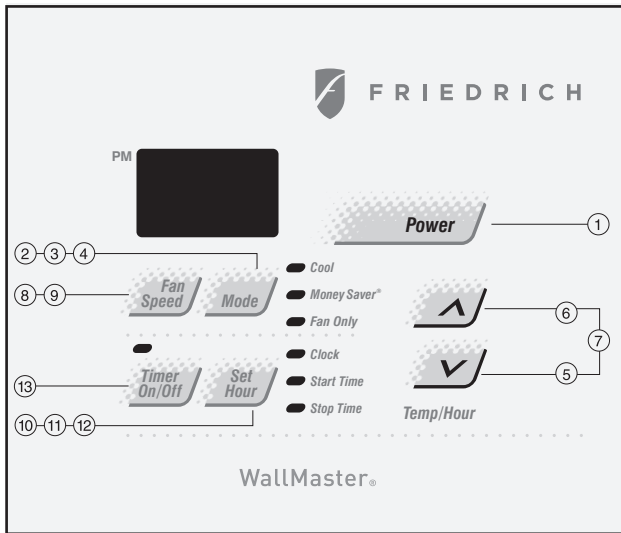


Figure 1: WS Model cool-only control panel

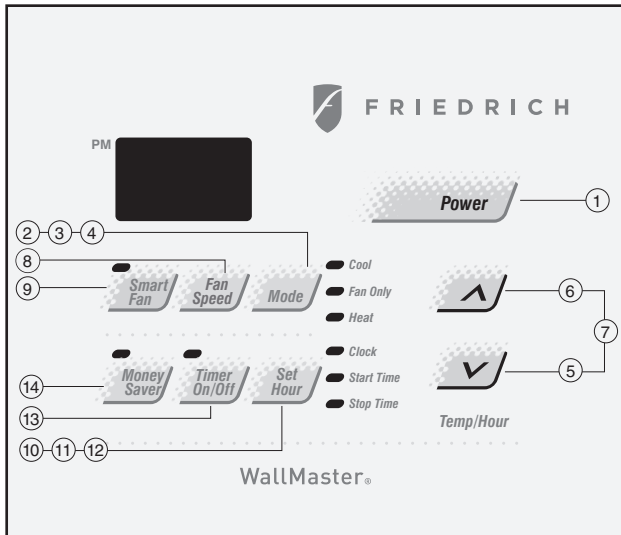


Figure 2: WY/WE Model heat-cool control panel

## Automatic component protection

Your unit is equipped with Automatic Component Protection.

To protect the compressor of the unit, there is a three minute delay if you turn the unit off or if power is interrupted. The fan will not be affected. Also, if you switch from **Heat/Cool** mode to **Fan Only** mode, and switch back to **Heat/Cool** mode, there is a three-minute delay before the compressor comes back on.

# Using the remote control

## To start unit (See Figure 3, page 6)

- ① **POWER** - Press the **Power** button once. The unit will automatically start in the mode and fan speed it was last left on.

## To set mode of operation

- ② **COOL** - Press the **Cool** button to automatically switch the operating mode to COOL.
- ③ **FAN ONLY** - Press the **Fan Only** button if you want to run the fan only.
- ④ **HEAT (WY/WE models only)** - Press the **Heat** button to automatically switch the operating mode to HEAT.
- ⑤ **MoneySaver®** - Press the **Money Saver®** button to activate the MoneySaver® feature. This feature cycles the fan with the compressor so that the fan does not run all the time.

## To adjust temperature

- ⑥ **WARMER** - Press the **Warmer** button to raise the temperature setting.
- ⑦ **COOLER** - Press the **Cooler** button to lower the temperature setting.

## To adjust fan speed

- ⑧ **FAN SPEED** - Press the **Fan Speed** button to see the current setting. Press again to change the fan speed. F1 is the lowest setting (SLEEP / LOW), F2 is MEDIUM, F3 is HIGH, and SF is the SMART FAN setting.

## To set the hour clock

- ⑨ **SET HOUR CLOCK** - Press the **Set Hour** button once to see the current clock setting. Continue pressing the button until you arrive at the current time (Hour only). Minutes are not shown on the display. Make sure that the A.M. / P.M. setting is correct.

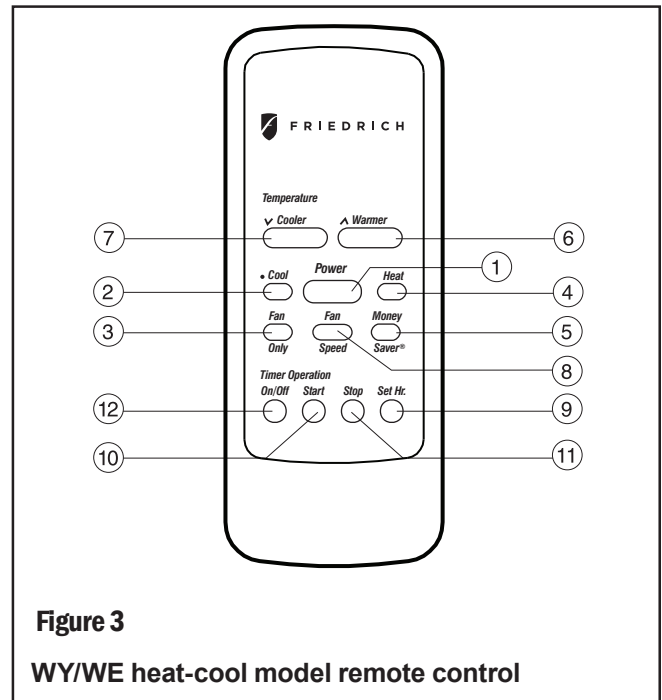
## To set the timer

**NOTE:** You can set the START and STOP times a minimum of one hour apart, and a maximum of 23 hours apart.

- ⑩ **TIMER START** - Press **Start** to view the current start time for cooling. Continue pressing the START button until you arrive at the start time you desire. The start time for cooling will then be set.
- ⑪ **TIMER STOP** - Press the **Stop** button. Continue pressing the STOP button until you arrive at the stop time you desire. The stop time for cooling will then be set.
- ⑫ **TIMER ON / OFF** - Press the **On/Off** button (under **Timer Operation**) to activate (light on) or deactivate (light off) the timer. Once the on and off times have been selected, they will remain in memory and cycle daily until changed.

**NOTE:** If the unit is unplugged or the power is interrupted, the **Set Hour** function must be reset or the **Timer On/Off** function will not work.

Additional RC1 wireless remote controls can be purchased from your Friedrich dealer.



**Figure 3**

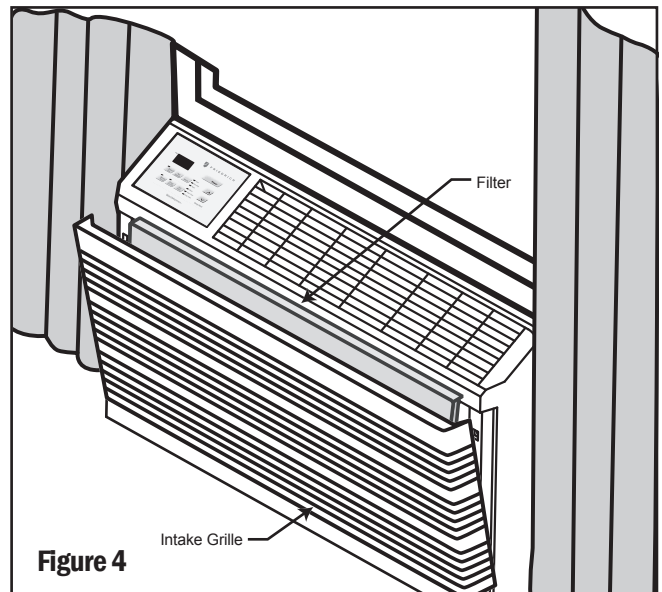
**WY/WE heat-cool model remote control**

## How to clean the air filter

Your Friedrich room air conditioner is equipped with a Permafoam reusable air filter which is not affected by washing. The filter serves to remove dust, pollen, and other impurities from the air.

**KEEP THE FILTER CLEAN** - A clogged, dirty filter will reduce the operating efficiency of your unit and contribute to frosting of the indoor coil. Be sure to check the filter at least once a month, more frequently if conditions warrant. The filter check procedure is easy, due to the unique design of the Friedrich DECORATIVE FRONT.

**FILTER ACCESS** - Remove the INTAKE GRILLE from the DECORATIVE FRONT frame by grasping it at the upper right and left side corners. Pull out until the GRILLE is released from the upper retaining snaps. Tilt down toward you, lift up and out of the bottom retaining snaps. This will expose the filter. Remove the filter by pulling it toward you. Wash the filter in hot, soapy water, rinse, squeeze lightly to remove excess water, shake dry - do not twist - and replace in the unit on the two support hangers. Replace the INTAKE GRILLE by positioning the bottom of the GRILLE into the bottom retaining snaps. Tilt the front up and away from you. Press in lightly on top and the GRILLE will position itself into the upper retaining snaps.



**Figure 4**

## How to change airflow direction

The DISCHARGE GRILLE is installed at the factory to provide 45° upward airflow into the room. (Direction 1 in Figure 5). If a vertical air flow is desired (Direction 2), the direction can be changed by rotating the DISCHARGE GRILLE.

Unplug the air conditioner.

Remove the DISCHARGE GRILLE RETAINER attached with one screw in the right side of the grille.

Remove the DISCHARGE GRILLE from the retaining slots near the CONTROLS, and rotate the grille as shown in Figure 5.

Reinstall the DISCHARGE GRILLE by placing it in its retaining slots. Reattach the DISCHARGE GRILLE RETAINER with the retaining screw. The unit is now ready to operate.


## How to cover inner weather panel holes

Two beige plugs are included in the plastic bag taped to the WallMaster chassis. These plugs may be used to cover the two holes left after removing the inner weather panel (see Figure 5). The plugs must be attached before the DECORATIVE FRONT frame is installed.

## Electrical requirements

**IMPORTANT:** Before you begin the actual installation of your air conditioner, check local electrical codes and the information below.

Your air conditioner must be connected to a power supply with the same AC voltage and hertz rating as marked on the nameplate located on

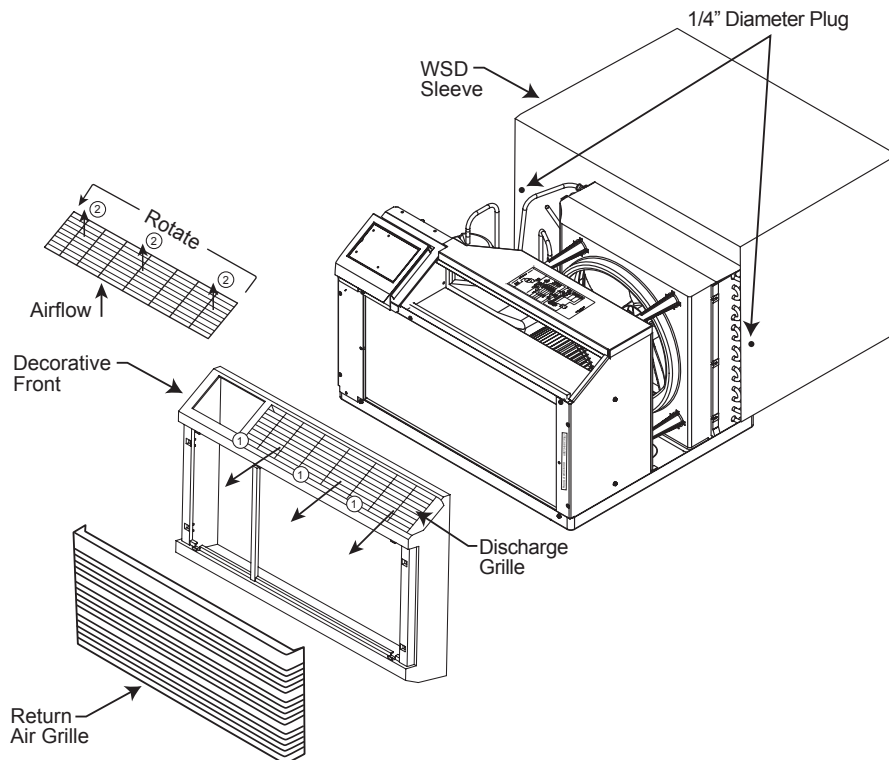
<b>⚠ WARNING</b>	
	<b>Electrical Shock Hazard</b> Use correct circuit protection. Failure to follow these instructions can result in death, fire, or electrical shock.


the chassis. Only alternating current (AC) can be used. Consult page 3 for the correct type of receptacle for your model.

An overloaded circuit will invariably cause malfunction or failure of an air conditioner, therefore, it is extremely important that the electrical power and the wiring is adequate. Consult your dealer or power company if in doubt.

**CIRCUIT PROTECTION -** Before installing or relocating your Friedrich Room Air Conditioner, check the amp rating of the circuit breaker or "TIME-DELAY" fuse. Refer to the nameplate located on the air conditioner chassis to determine the correct fuse or circuit breaker amperage for your model. The rating **MUST NOT** exceed the value stated on the nameplate. If the air conditioner is connected to a circuit protected by a fuse, a "TIME-DELAY" fuse must be used due to the momentary high current demands when your air conditioner is started.

**Figure 5**



<b>⚠ WARNING</b>	
	<p><b>Electrical Shock Hazard</b></p> <p>Do not use plug adapters. Do not use an extension cord. Do not remove ground prong. Replace damaged cords with new cord from manufacturer.</p> <p>Failure to follow these instructions can result in death, fire, or electrical shock.</p>

### Never use an extension cord

Your Friedrich room air conditioner is equipped with a three-prong (grounded) plug for your protection against shock hazards and should be plugged directly into a properly grounded three-prong receptacle. If you have a two-prong receptacle you will need to have the circuit replaced by a certified electrician with a grounded circuit that meets all national and local codes and ordinances. Under no circumstances should you remove the ground prong from the plug. You must use the three-prong plug furnished with the air conditioner.

**NEVER CUT OR REMOVE THE GROUNDING PRONG FROM THE PLUG.**

### Power cord information

All Friedrich room air conditioners are shipped from the factory with a Leakage Current Detection Interrupter (LCDI) equipped power cord. The LCDI device meets the UL and NEC requirements for cord connected air conditioners effective August 2004.

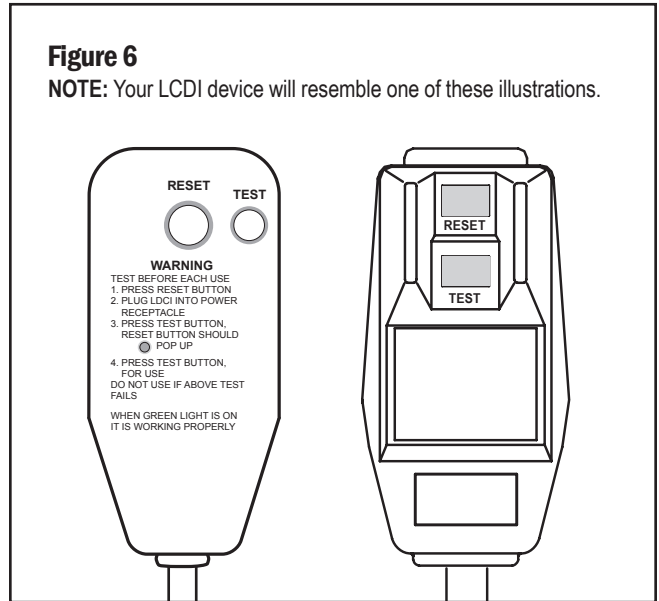
#### To test your power supply cord:

1. Plug power supply cord into a grounded 3 prong outlet.
2. Press **RESET** (See Figure 6).
3. Press **TEST** (listen for click; Reset button trips and pops out).
4. Press and release **RESET** (listen for click; Reset button latches and remains in). The power supply cord is ready for operation.

**NOTE:** LCDI device is not intended to be used as a switch.

Once plugged in the unit will operate normally without the need to reset the LCDI device.

If the device fails to trip when tested or if the power supply cord is damaged it must be replaced with a new supply cord from the manufacturer. We recommend you contact our Technical Assistance Line at (800) 541-6645 ext. 845. To expedite service, please have your model and serial number available.



## Troubleshooting tips and home maintenance

### Won't cool

If the unit operates, but won't cool, determine if the controls are properly set. Set the thermostat to a cooler position in order to check control settings. Check the filter and clean it thoroughly, if needed. Check to see if the vent door is closed.

Check to see if the chassis seal gasket is properly installed (refer to page 11 for seal gasket installation).

### Won't heat (for heat/cool models only)

If the unit operates, but won't heat, determine if the control settings are correct. Adjust the thermostat to a warmer position to determine if it operates. Also, check the filter and clean it thoroughly, if needed.

### Odors in heating (for heat/cool models only)

You may notice a smoke odor the first time the heater element comes on. This is common in any type of heat system when first turned on for the winter. The odor comes from dust and other particles that accumulate during the warm months. The odor will dissipate quickly.

### Won't run


If the unit fails to operate, check to see if the power cord is firmly plugged in. Check for blown fuses, tripped circuit breakers or a tripped LCDI Device (Refer to LCDI reset instructions in the **Power cord information** section). Restore the circuit breaker or replace the blown fuse with a proper size "TIME-DELAY" fuse. The proper fuse size is shown on page 3 in these instructions. After restoring the current supply to the unit, wait three minutes before unit will restart.

## Frosting of the indoor coil

Certain operating conditions may produce indoor coil frost. During the cooling operation, a dirty filter or restricted air distribution in combination with cool, damp weather could cause such an occurrence. Should the indoor coil frost over while cooling, set the control to FAN and keep it running until the frost on the coil is gone. Setting the thermostat to a slightly warmer position will probably keep the coil from frosting over again.

## Cleaning the decorative front

The decorative front of your Friedrich room air conditioner, as well as the complete cabinet, may be cleaned with warm water and mild detergent. Under adverse operating conditions, the indoor and outdoor coils and base pan may require periodic cleaning to maintain efficient operation. Your Friedrich dealer should be called when this service is required.

<b>⚠ WARNING</b>	
	<p><b>Electrical Shock Hazard</b></p> <p>Disconnect power before servicing.</p> <p>Replace all parts and panels before operating.</p> <p>Failure to do so can result in death or electrical shock.</p>

## Installation instructions for WSD sleeve

<b>⚠ WARNING</b>	
	<p><b>Falling Object Hazard</b></p> <p>Not following Installation Instructions for mounting your air conditioner can result in property damage, injury, or death.</p>

### Mounting hardware provided

ITEM NO.	DESCRIPTION	QTY.
1	SCREW, #12A x 2"	7

### Wall preparation

**STEP 1** The wall opening required for a WSD SLEEVE is 17 ¼" high by 27 ¼" wide.

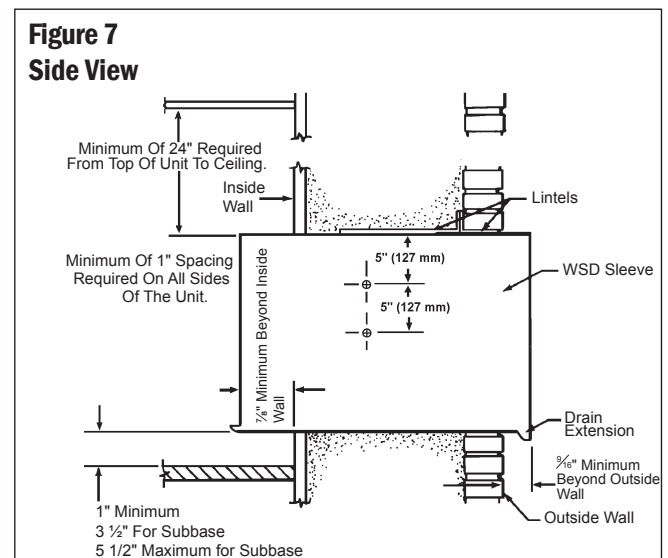
**STEP 2** LINTELS must be used in opening of brick veneer and masonry walls to support the material above the WSD SLEEVE. The following considerations should also be given:

## Things to know about a WallMaster heat pump

During the heat pump operation, you may notice some functions that did not occur when the unit was used for cooling:

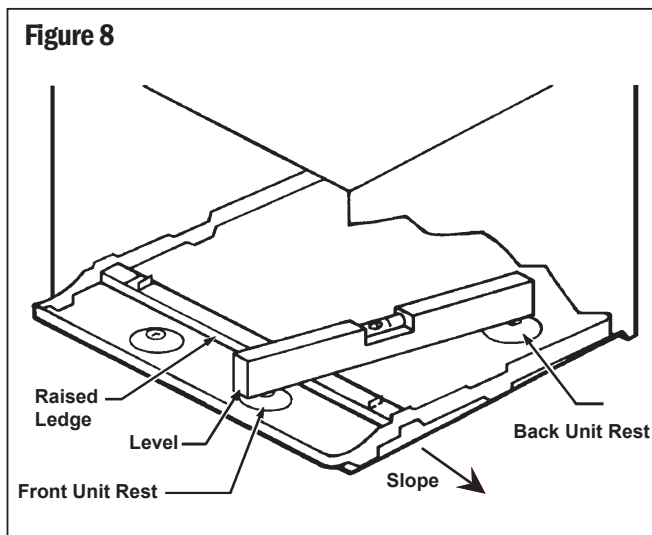
1. It is common for ice to form on the outdoor coil of your WallMaster Heat Pump. The ice forms due to moisture in the outdoor air passing over cold (below freezing) coil surfaces.
2. When the outdoor coil forms ice, your heat pump will automatically initiate a defrost. The compressor will stop and the fan will continue to run. The electric heat will be turned on to continue warming the room while the outdoor air defrosts the outdoor coil. After the defrost is completed, the unit will automatically return to the heat pump mode.
3. Steam may be seen rising from the outdoor coil during the defrost. This is similar to expelling warm breath on a cold morning.
4. If the outdoor temperature drops below 43°F during heat pump operation, your WallMaster Heat Pump will automatically switch to electric resistance heat and will continue to operate in this mode as long as the outdoor temperature remains at 43° F or below.

- A. Adjustable SUBBASE (SB) or other unit support must be provided for panel wall type construction and for walls less than 8" thick.
- B. A minimum distance of 1" must be allowed on all sides of the unit to adjacent wall and floor. Where the subbase is required, the minimum distance from the floor to the sleeve must be 3 ½". To minimize chances of short cycling of the compressor, the minimum clearance between the ceiling and the top of the unit should be 24". (See Figure 7).



## Installation requirements

- STEP 1** The WSD SLEEVE should be positioned so that the DRAIN EXTENSION extends a minimum of  $\frac{9}{16}$ " beyond the OUTSIDE WALL (See Figure 7).
- STEP 2** The WSD SLEEVE must extend a minimum of  $\frac{7}{8}$ " beyond the INSIDE WALL.
- STEP 3** The WSD SLEEVE must be installed level side to side.
- STEP 4** The WSD SLEEVE must also be installed with a downward tilt toward the outside of the building. If a level is placed so that it rests on the FRONT and BACK UNIT REST as shown in Figure 8, a properly installed unit provides a  $\frac{1}{2}$  bubble slope to the outside of the building.



## NOTICE

SLEEVE projections and leveling precautions must be observed to prevent the entry of water into the room.



## Sleeve installation



- STEP 1** After unpacking the WSD SLEEVE from the carton, remove the FRONT PANEL. Place the WSD SLEEVE in the wall opening following the instructions given in the INSTALLATION REQUIREMENTS. Attach the SLEEVE to the INSIDE WALL by driving two #12A x 2" screws in each side of the SLEEVE (see Figure 7). Shim at the top of the SLEEVE, midway between the sides. Drive one #12A x 2" screw in the top of the sleeve, close to the shim. Install screws from inside the SLEEVE. If the wall opening is not framed with wood, use expansion anchor bolts or molly (toggle) bolts (not provided).

Please note that there will be an excess of two #12Ax2" screws that will not be used.

- STEP 2** Once the SLEEVE has been installed, check the LEVEL again to be sure the  $\frac{1}{2}$  bubble downward tilt is maintained. Apply shims, if required, to maintain the proper slope.
- STEP 3** Caulk the perimeter of the entire opening on the inside and the outside between the SLEEVE and the WALL.
- STEP 4** The front panel removed in Step 1 above must be remounted back in place if masonry work is to be done and/or if the "WallMaster" CHASSIS is to be installed at a later date.

# WallMaster chassis installation instructions for WS, WE and WY models

 <b>CAUTION</b>	
	<b>Excessive Weight Hazard</b> Use two or more people when installing your air conditioner. Failure to do so can result in back or other injury.

 <b>CAUTION</b>	
	<b>Cut/Sever</b> Although great care has been taken to minimize sharp edges in the construction of your unit, use gloves or other hand protection when handling unit. Failure to do so can result in minor to moderate personal injury.

- STEP 1** Check the sleeve to be certain it has been correctly installed in the wall. Remove the front panel on the WSD SLEEVE. Remove the rear WEATHER PANEL. Reverse grille. Place lower edge into sleeve tab (Friedrich logo facing out). Aligns slots with screw holes. Secure grille with screws.
- A. Check the anchor screws. There should be four (4) in the WSD SLEEVE (two in each side).
  - B. Determine if the sleeve has a downward slope, to the outside, of 1/2 bubble on a level. See page 10 for further details.
  - C. Check to be sure the sleeve has been sealed around all edges with an industrial type caulking on both the outside and inside to prevent rain entry.
  - D. A sleeve sealing gasket has been provided in the chassis shipping carton. Remove it from the carton, peel the protective coating from the adhesive, and install it in the sleeve (adhesive down).
- STEP 2** Check the electrical receptacle to see that it conforms to the requirements for the chassis model to be installed. See page 3, for the receptacle requirements.

**STEP 3** The decorative front is packaged in a separate box inside the chassis shipping carton, between the chassis and the carton. Remove this box and set the box aside until later.

**STEP 4** With the help of an assistant, remove the chassis from the shipping carton. Be careful not to allow anything to impact against the hairpins as this may result in damage to them. With the help of an assistant, lift the chassis by the basepan and slide it into the sleeve until it contacts the rear grille. With the chassis in proper position, the front edge of the basepan must extend out 4 3/4 inches from the front (side) edge of sleeve.

**STEP 5 CHASSIS SEAL GASKET INSTALLATION:** After installing the shell, slide the chassis into the shell stopping approximately 3" from full insertion. Stuff the chassis seal gasket one inch deep between the chassis and the shell

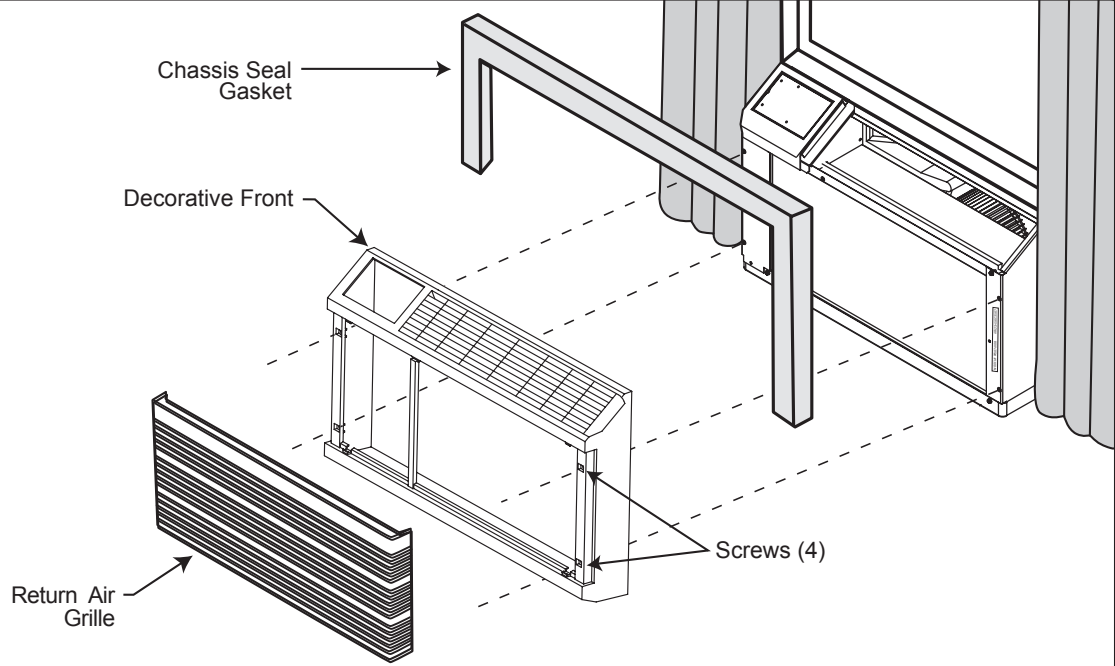
(see Figure 9, Page 12). Make sure the gasket is installed beginning from the lower right side corner and extending over the top and down to the lower left side corner. Then push the chassis all the way into the shell for the remaining distance so that the plastic front meets the front edge of the shell.



If foam chassis seal gasket is not installed, the operation of the unit will be negatively affected. Also, the operation noise and outside noise will be amplified.

**STEP 6** Remove the intake grille from the decorative front frame by grasping it at the upper right and left side corners. Pull out until the grille is released from the upper retaining snaps. Tilt it down toward you, lift up and out of the bottom retaining snaps. Install the decorative front frame in place over the sleeve opening and attach it to the chassis with four sheet metal screws as shown in Figure 9, Page 12. Replace the intake grille by positioning the bottom of the grille into the bottom retaining snaps. Tilt the front up and away from you. Press in lightly on top, and the grille will position retaining snaps. itself into upper

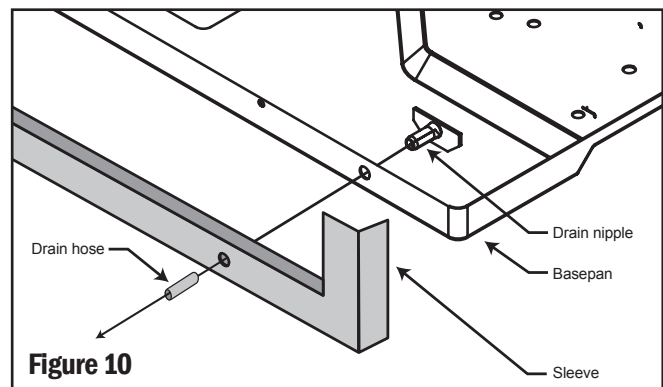
**NOTE:** Attach the frame to the chassis by installing four (4) 8A-5/8" screws through the slots in the frame and into the holes in the chassis.

**Figure 9**



 <b>WARNING</b>	
	<b>Moving Object Hazard</b>
	Replace all panels before operating your air conditioner. Failure to do so can result in severe personal injury or death and damage to product or other property.

## Alternate drain kits



## Condensate removal (WS, WE and WY models)

If you desire to drain condensate from the basepan during unit operation, this unit is provided with a drain nipple that can be attached to the basepan. You must provide a 3/8" outside diameter thin-wall plastic or copper tube which will attach to the drain nipple.

Follow the instructions below:

- STEP 1 Find the drain rubber plug on the rear of the basepan and remove it. (See Figure 10).
- STEP 2 Remove the knockout in the lower right side of the rear grille. Slide the chassis into the WSD SLEEVE so that the drain nipple extends through the knockout.
- STEP 3 Slide the tubing over the drain nipple.

If the chassis must be removed from the sleeve for service, remove the clamped drain hose before sliding the chassis out of the sleeve.

### DK (Drain Kit)

In the event that the outdoor temperature drops below 37°F, any water that remains in the chassis basepan is drained into the sleeve pan on WE and WY models to prevent freezing. (NOTE: In the cooling mode of the WS, WE and WY models, condensate overflow is possible in very humid climates). For these particular instances, an optional drain kit (Accessory #DK) is available for water removal.

### IDK (Interior Drain Kit)

New construction allowing for condensate drain systems built within the walls can use the Friedrich Interior Drain Kit (Accessory #IDK). This kit is designed for installation in the bottom of the sleeve below the condensate bellows valve (heat/cool models only).



**F R I E D R I C H**

**Friedrich Air Conditioning Company**

P.O. Box 1540

San Antonio, TX 78295

210.357.4400

www.friedrich.com

# **WALLMASTER<sup>®</sup>**

## **THRU-THE-WALL AIR CONDITIONERS**

### **LIMITED WARRANTY**

#### **FIRST YEAR**

**ANY PART:** If any part supplied by FRIEDRICH fails because of a defect in workmanship or material within twelve months from date of original purchase, FRIEDRICH will repair the product at no charge, provided room air conditioner is reasonably accessible for service. Any additional labor cost for removing inaccessible units and/or charges for mileage related to travel by a Service Agency that exceeds 25 miles one way will be the responsibility of the owner. This remedy is expressly agreed to be the exclusive remedy within twelve months from the date of the original purchase.

#### **SECOND THROUGH FIFTH YEAR**

**SEALED REFRIGERANT SYSTEM:** If the Sealed Refrigeration System (defined for this purpose as the compressor, condenser coil, evaporator coil, reversing valve, check valve, capillary, filter drier, and all interconnecting tubing) supplied by FRIEDRICH in your Room Air Conditioner fails because of a defect in workmanship or material within sixty months from date of purchase, FRIEDRICH will pay a labor allowance and parts necessary to repair the Sealed Refrigeration System; **PROVIDED** FRIEDRICH will not pay the cost of diagnosis of the problem, removal, freight charges, and transportation of the air conditioner to and from the Service Agency, and the reinstallation charges associated with repair of the Sealed Refrigeration System. All such cost will be the sole responsibility of the owner. This remedy is expressly agreed to be the exclusive remedy within sixty months from the date of the original purchase.

**APPLICABILITY AND LIMITATIONS:** This warranty is applicable only to units retained within the Fifty States of the U.S.A., District of Columbia, and Canada. This warranty is not applicable to:

1. Air filters or fuses.
2. Products on which the model and serial numbers have been removed.
3. Products which have defects or damage which results from improper installation, wiring, electrical current characteristics, or maintenance; or caused by accident, misuse or abuse, fire, flood, alterations and/or misapplication of the product and/or units installed in a corrosive atmosphere, default or delay in performance caused by war, government restrictions or restraints, strikes, material shortages beyond the control of FRIEDRICH, or acts of God.

**OBTAINING WARRANTY PERFORMANCE:** Service will be provided by the **FRIEDRICH Authorized Dealer or Service Organization** in your area. They are listed in the Yellow Pages. If assistance is required in obtaining warranty performance, write to: Room Air Conditioner Service Manager, Friedrich Air Conditioning Co., P.O. Box 1540, San Antonio, TX 78295-1540.

**LIMITATIONS:** **THIS WARRANTY IS GIVEN IN LIEU OF ALL OTHER WARRANTIES. Anything in the warranty notwithstanding, ANY IMPLIED WARRANTIES OF FITNESS FOR PARTICULAR PURPOSE AND/OR MERCHANTABILITY SHALL BE LIMITED TO THE DURATION OF THIS EXPRESS WARRANTY. MANUFACTURER EXPRESSLY DISCLAIMS AND EXCLUDES ANY LIABILITY FOR CONSEQUENTIAL OR INCIDENTAL DAMAGE FOR BREACH OF ANY EXPRESSED OR IMPLIED WARRANTY.**

**Performance of Friedrich's Warranty obligation is limited to one of the following methods:**

1. Repair of the unit
2. A refund to the customer for the prorated value of the unit based upon the remaining warranty period of the unit.
3. Providing a replacement unit of equal value

**The method of fulfillment of the warranty obligation is at the sole discretion of Friedrich Air Conditioning.**

**NOTE:** Some states do not allow limitations on how long an implied warranty lasts, or do not allow the limitation or exclusion of consequential or incidental damages, so the foregoing exclusions and limitations may not apply to you.

**OTHER:** This warranty gives you specific legal rights, and you may also have other rights which vary from state to state.

**PROOF OF PURCHASE:** Owner must provide proof of purchase in order to receive any warranty related services.

All service calls for explaining the operation of this product will be the sole responsibility of the consumer.

All warranty service must be provided by an **Authorized FRIEDRICH Service Agency**, unless authorized by FRIEDRICH prior to repairs being made. (10-04)