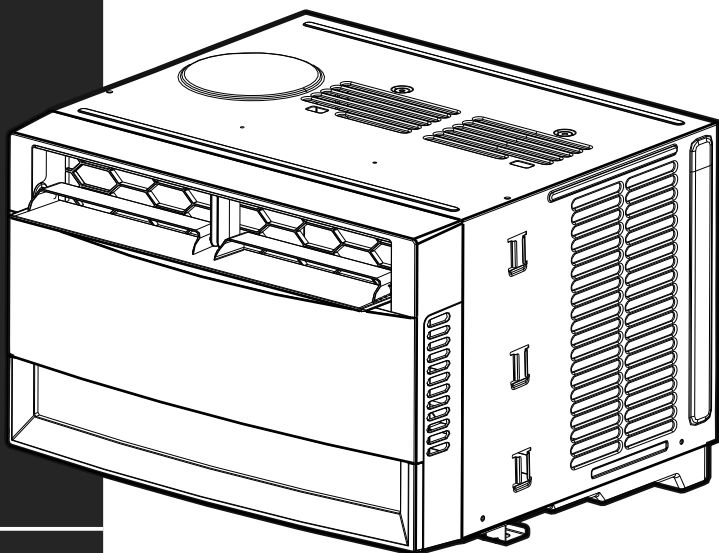




USER MANUAL

Window Type
MWB

Rated voltage: 115V
Rated power: 490 - 833W
Frequency: 60Hz
Capacity: 6000 - 10000BTU/h



Warning notices: Before using this product, please read this manual carefully and keep it for future reference.

The design and specifications are subject to change without prior notice for product improvement. Consult with your dealer or manufacturer for details.

version A - 04 - 2017

MWB10CW71
MWB08CW71
MWB06CW71
www.midea.com

0	Safety Precautions	3
1	Unit Specifications	7
2	Operating Instructions	8
3	Installation Instructions	12
4	Care and Cleaning	19
5	Troubleshooting Tips	20

Read This Manual

Inside you will find many helpful hints on how to use and maintain your air conditioner properly. Just a little preventive care on your part can save you a great deal of time and money over the life of your air conditioner. You'll find many answers to common problems in the troubleshooting tips - you should be able to fix most of them quickly before calling service. These instructions may not cover every possible condition of use, so common sense and care for safety is required when installing, operating and maintaining this product.



CAUTION

- Contact the authorized service technician for repair or maintenance of this unit.
- Contact the installer for installation of this unit.
- The air conditioner is not intended for use by young children or infirm persons without supervision.
- Young children should be supervised to ensure that they do not play with the air conditioner.
- If the power cord needs to be replaced, please contact our consumer service and look for an authorized technician.
- Electrical installation must be performed in accordance to national regulation standards by qualified personnel only.

Safety Precautions

To prevent injury to the user or other people and property damage, the instructions shown here must be followed. Incorrect operation due to ignoring of instructions may cause harm or damage. The level of risk is shown by the following indications.



This symbol indicates the possibility of death or serious injury.



This symbol indicates the possibility of injury or damage to property.

WARNING

- Plug in power plug properly.
Otherwise, it may cause electric shock or fire due to excess heat generation.
- Do not modify power cord length or share the outlet with other appliances.
It may cause electric shock or fire due to overheat.
- Always ensure effective grounding.
Incorrect grounding may cause electric shock.
- Unplug the unit if strange sounds, smell, or smoke comes from it.
A damaged product may cause fire and electric shock.
- Keep firearms away.
- Ventilate room before operating the air conditioner if there is a gas leakage from another appliance.
- Do not operate or stop the unit by inserting or pulling out the power plug.
- Do not operate with wet hands or in very humid environments.
It may cause electric shock.
- Do not allow water to touch into electric parts.
It may cause failure or electric shock.
- Do not use the socket if it is loose or damaged.
It may cause fire and electric shock.
- Do not use or keep the power cord close to heating appliances.
It may cause fire and electric shock.
- Do not place the power cord close to heating appliances.
It may cause fire and electric shock
- Do not disassemble or modify unit.
It may cause failure and electric shock.
- Do not damage or use an unspecified power cord.
It may cause fire and electric shock.
If the power cord is damaged, it must be replaced by the manufacturer or an authorised service centre or a similarly qualified person in order to avoid a hazard.

**WARNING**

- Do not direct airflow straight into people to avoid possible health hazard.
- Always install circuit breaker and a dedicated power circuit. Incorrect installation may cause fire and electric shock.
- Do not open the unit during operation. It may cause electric shock.
- Do not use the power cord near flammable gas or combustibles, such as gasoline, benzene, thinner, etc. It may cause an explosion or fire.

**CAUTION**

- When the air filter is to be removed, do not touch the metal parts of the unit. It may cause an injury.
- When the unit needs cleaning, switch off, and turn off the circuit breaker. Do not clean unit when power is on as it may cause fire and electric shock, it may cause an injury.
- Stop operation and close the window in storm or hurricane. Operation with windows open may cause water leak into the room.
- Do not place obstacles around air-inlets or inside of air-outlet. It may cause failure or accident.
- Do not use strong detergent such as wax or thinner but a soft cloth, or else risk damaging the product.
- Use caution when unpacking and installing. Sharp edges could cause injury.
- Do not clean the air conditioner with water. Water may enter the unit and degrade the insulation. It may cause an electric shock.
- Do not put a pet or house plant where it will be exposed to direct air flow. This could injure the pet or plant.
- Hold the plug by the head of the power plug when taking it out. It may cause electric shock and damage.
- Ensure that the installation is properly secured under risk of the product falling.
- Do not place heavy object on the power cord and ensure that the cord is not compressed. There is danger of fire or electric shock.
- If water enters the unit, turn the unit off at the power outlet and switch off the circuit breaker. Isolate supply by taking the power-plug out and contact a qualified service technician.
- Ventilate the room well when used together with a stove, etc. An oxygen shortage may occur.
- Do not use for any other purpose than room comfort. Do not use this air conditioner to preserve precision devices, food, pets, plants, and art objects. It may cause deterioration.
- Turn off the main power switch when not using the unit for a long time.
- Always insert the filters securely. Clean filter once every two weeks. Operation without filters may cause failure.
- Do not drink water drained from air conditioner.

NOTE

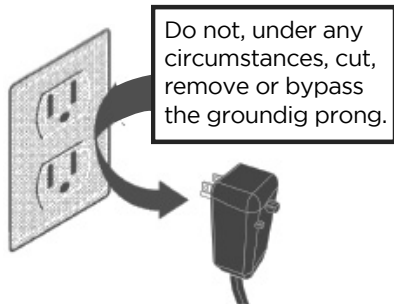
The power supply cord with this air conditioner contains a current detection device designed to reduce the risk of fire.

Please refer to the section Operation of Current Device for details.

In the event that the power supply cord is damaged, it can not be repaired. It must be replaced with a cord from the manufacturer.

! WARNING - For your safety

- Do not store or use gasoline or other flammable vapors and liquids in the vicinity of this or any other appliance.
- Avoid fire hazard or electric shock. Do not use an extension cord or an adaptor plug. Do not remove any prong from the power cord.

Grounding type wall receptacle

Power supply cord with 3-prong grounding plug and current detection device

! WARNING - Electrical Information

The complete electrical rating of your new room air conditioner is stated on the serial plate. Refer to the rating when checking the electrical requirements.

- Be sure the air conditioner is properly grounded. To minimize shock and fire hazards, proper grounding is important. The power cord is equipped with a three-prong grounding plug for protection against shock hazards.
- Your air conditioner must be used in a properly grounded wall receptacle. If the wall receptacle you intend to use is not adequately grounded or protected by a time delay fuse or circuit breaker, have a qualified electrician install the proper receptacle.
- Ensure the receptacle is accessible after the unit installation.
- Do not run air conditioner without outside protective cover in place. This could result in mechanical damage within the air conditioner.
- Do not use an extension cord or an adapter plug.

 **WARNING - Prevent Accidents**

To reduce the risk of fire, electrical shock, or injury to persons when using your air conditioner, follow basic precautions, including the following:

- Be sure the electrical service is adequate for the model you have chosen. This information can be found on the serial plate, which is located on the side of the cabinet and behind the grille.
- If the air conditioner is to be installed in a window, you will probably want to clean both sides of the glass first. If the window is a triple-track type with a screen panel included, remove the screen completely before installation.
- Be sure the air conditioner has been securely and correctly installed according to the installation instructions in this manual. Save this manual for possible future use in removing or installing this unit.
- When handling the air conditioner, be careful to avoid cuts from sharp metal fins on front and rear coils.

Operation of Current Device

The power supply cord contains a current device that senses damage to the power cord. To test your power supply cord as follows:

1. Plug in the air conditioner.
2. The power supply cord will have TWO buttons on the plug head. Press the TEST button, you will notice a click as the RESET button pops out.
3. Press the RESET button, again you will notice a click as the button engages.
4. The power supply cord is now supplying electricity to the unit. (On some products this is also indicated by a light on the plug head.)

NOTES

- Do not use this device to turn the unit on or off.
- Always make sure the RESET button is pushed in for correct operation.
- The power supply must be replaced if it fails reset when either the TEST button is pushed, or it can not be reset. Please contact Customer Service.
- If power supply cord is damaged, it can not be repaired. It **MUST** be replaced with a new cord - please contact Customer Service.

Unit Specifications

MODEL			MWB06CW71	MWB08CW71	MWB10CW71
Power supply		Ph-V-Hz	1Ph, 115V-, 60Hz	1Ph-115V-60Hz	1Ph-115V-60Hz
Cooling	Rated Capacity	Btu/h	6000	8000	10000
	Rated EER	Btu/w.h.w/w	12,2	12,0	12,0
	Rated CEER	Btu/w.h.w/w	12,1	12,0	12,0
	Rated input	W	490	666	833
	Rated current	A	4.5	5.9	7.5
	Standby power	W	0.9	0.9	1.0
Moisture Removal		L/h	0,7	1	1,1
Max. input consumption		W	700	830	992
Max. current		A	6,5	8	9,79
Starting current		A	21.0	29	35
Outdoor noise level (Hi/Med/Lo)		dB(A)	63.2/60.8/58.1	64.5/62.6/59.2	66.7/64.6/61.7
Plug type (NEMA#)			5-15P	5-15P	5-15P
Power cord length		mm	1980	1980	1980
		ft	6.5	6.5	6.5
Control type			Remote Control	Remote Control	Remote Control
Operating temperature	Indoor (cooling/heating)	°C	17-32/---	17-32/---	17-32/---
		°F	62-90	62-90	62-90
	Outdoor (cooling/heating)	°C	18-43/---	18-43/---	18-43/---
		°F	64-109	64-109	64-109
Application area (Cooling Standard)		m ²	8-12	11-16	13-20
		sq.ft	86-129	118-172	140-215
Application area (Cooling EPA)		sp.ft	150-250	300-350	400-450
Dimension (W*D*H)		mm	471*450*340	471*494*340	482x595x372
		in	18.5*17.7*13.4	18.5*19.5*13.4	19x23.5x14.6
Packing (W*D*H)		mm	561*502*370	561*545*370	557x636x430
		in	22.09*19.8*14.6	22.09*21.49*14.6	21.9x24.1x16.9
Net/Gross weight		kg	20.5/23.6	22.2/25.3	27.7/31.2
		lb	45.1/52.0	48.8/55.7	61.1/68.8
Loading quantity 40'HQ		Pieces	668	576	424
Window Opening	Width (Min/Max)	in	23/36	23/36	23/36
	Height (Min/Max)	in	14	14	15,5

Operating Instructions

2

Normal Sounds

High Pitched Chatter

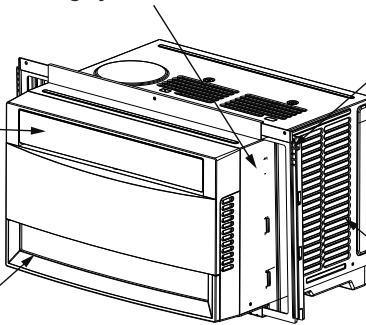
Modern compressors may have a high pitched sound during cooling cycle.

Sound of Rushing Air

In front of the unit, you may hear the sound of rushing air being moved by the fan.

Gurgles/Hiss

Gurgling or hissing noise may be heard due to refrigerant flowing through evaporator during normal operation.



Vibration

Unit may vibrate and make noise because of poor wall or window construction or incorrect installation.

Pinging or Switching

Droplets of water hitting condenser during normal operation may cause pinging or swishing.

NOTE

All the pictures in this manual are for illustrative purposes only. The actual shape of the air conditioner you purchased may be slightly different, but its operations and functions are similar.

Air Conditioner Operation

WARNING

To reduce the risk of fire, electrical shock, or injury to people or property, read the SAFETY PRECAUTIONS before operating this appliance.

NOTE

The cool circuit has an automatic 3 minutes time delayed start if the unit is turned off and on quickly. This prevents overheating of the compressor and possible circuit breaker tripping.

NOTE

This air conditioner is designed to be operated under conditions as follows:

Cooling Operation	Outdoor temp.:	64°F - 109°F/18-43°C (64°F - 125°F/18-52°C for special tropical models)
	Indoor temp.:	62°F - 90°F / 17-32°C

NOTES

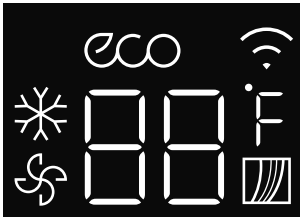
- The relative humidity of room should be less than 80%. If the unit is used in a condition with a relative humidity over 80%, there will be condensed water on the surface of the unit.
- Performance may be reduced outside of these operating temperatures.

Air Conditioner Features

ELECTRONIC CONTROL OPERATING INSTRUCTIONS

Before you begin, thoroughly familiarize yourself with the control panel as shown below and all its functions, then follow the symbol for the functions you desire. The unit can be controlled by the unit control alone or with the remote controller.

Unit Control




TO TURN UNIT ON OR OFF:

Press  ON/OFF button to turn unit on or off.


NOTES

- The unit will initiate automatically the Energy Saver function under Cool mode.
- If the louver of the unit can not be closed when the unit is off, please unplug the unit and plug it back in, so the louver can be closed.

WiFi FEATURE:

Press  WiFi button for 5 seconds to turn off the unit and initiate WiFi connection mode.

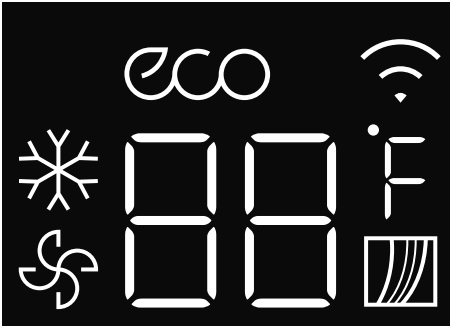
CHECK FILTER FEATURE:

Press  Filter button to initiate this feature.

This feature is a reminder to clean the Air Filter for more efficient operation. The LED (in displays) will illuminate after 250 hours of operation. To reset after cleaning the filter, press the Filter button and the light will go off.

NOTE

When you push the button or use a remote controller to change operation modes, the unit will make a beep sound to indicate that it is changing modes.



DISPLAYS:

Shows the set temperature in °C or °F. While on Fan only mode, it shows the room temperature.



Displayed in COOL mode operation.



Displayed in FAN mode operation.



Displayed in ENERGY SAVER mode operation.



Displayed in WiFi feature operation.



Displayed in CHECK FILTER mode operation.

LO

Displayed when room temperature is lower than 0°C/32°F.

HI

Displayed when room temperature is higher than 37°C/99°F.

NOTE

If an operation has not been selected within 10 seconds, the display will dim. Display will light up again when an operation is selected.

Error codes:

AS - Room temperature sensor error - Unplug the unit and plug it back in. If error repeats, call for service.

NOTE: In Fan only mode, it will display "LO" or "HI".

ES - Evaporator temperature sensor error - Unplug the unit and plug it back in. If error repeats, call for service.

Special Features

Wait 3 minutes before resuming operation

After the unit has stopped, it can not be restarted before 3 minutes. This is to protect the unit. Operation will automatically start after 3 minutes.

Auto Restart

If the unit turns off unexpectedly due to a power cut, it will restart with the previous function setting automatically when the power resumes.

Auto Defrost

When frost builds up on the evaporator coils, the compressor will cycle off and the fan will continue to run until the frost disappears.

Energy Saver feature

This function is available on COOL automatically. The fan will continue to run for 3 minutes after the compressor shuts off. The fan then cycles on for 2 minutes at 10 minute intervals until the room temperature is above the set temperature, at which time the compressor turns back on and Cooling Starts.

Timer: auto start/stop feature

Set the auto start/stop unit time no matter what the unit is on or off. Turning the unit ON or OFF at any time will cancel the Auto Start/Stop timed program.

Swing feature

Press the SWING button of the remote controller for 2 seconds to start louver auto swing feature. Short press the button to use to change the louver movement and set the desired air flow direction.

NOTE

When the louver is horizontal, the unit will have optimal cooling efficiency.

! CAUTION

Never operate the louver manually.

WiFi feature

For the first time to use WiFi feature, press the WiFi button for 5 seconds to turn off the unit and initiate the WiFi connection mode. The LED DISPLAY shows "AP" for 1 second and off for 2 seconds alternatively to indicate you can set WiFi connection. If connection is successful within 8 minutes the unit will exit WiFi connection mode automatically and the WiFi indicator illuminates. If connection fails within 8 minutes, the unit exits WiFi connection mode automatically.

NOTE

During the network configuration process, do not try using the remote control or the controls on the front panel of the air conditioner, as they will be inoperative. You may use the remote control and front panel buttons again after the network configuration process is complete (usually 8 ~ 10 minutes).

Installation Instructions

3

Installation Instructions

⚠ WARNING - Before You Begin

Read these instructions completely and carefully.

- **IMPORTANT** - Save these instructions for local inspector's use.
- **IMPORTANT** - Observe all governing codes and ordinances.
- **Note to Installer** - Be sure to leave these instructions with the consumer.
- **Note to Consumer** - Keep these instructions for future reference.
- **Skill level** - Installation of this appliance requires basic mechanical skills.
- **Completion time** - Approximately 1 hour. We recommend that two people install this product.

Proper installation is the responsibility of the installer.

Product failure due to improper installation is not covered under the Warranty.

You **MUST** use all supplied parts and use proper installation procedures as described in these instructions when installing this air conditioner.

⚠ CAUTION

- Do not, under any circumstances, cut or remove the third (ground) prong from the power cord.
- Do not change the plug on the power cord of the air conditioner.
- Aluminum house wiring may present special problems - consult a qualified electrician.
- When handling unit, be careful to avoid cuts from sharp metal edges and aluminum fins on front and rear coils.

Your air conditioner is designed to install in standard double hung windows with opening widths of 23 to 36 inches (584mm to 914mm).

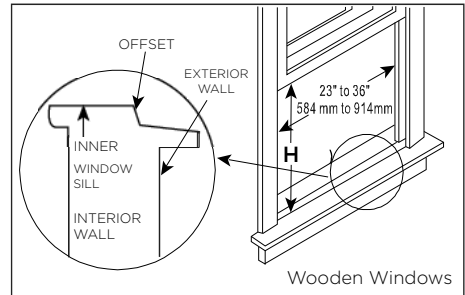
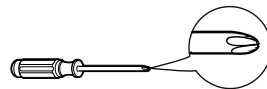


Table 1

Model	5000-8000 BTU/h	10000-12000 BTU/h
H	14" (356mm)	15-1/2" (394mm)

Tool You Will Need



Screwdriver



Level

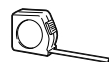
Tool You May Use



Screwdriver



Pencil



Ruler or tape measure



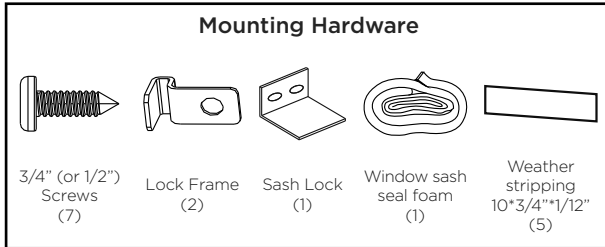
Scissors or knife

NOTE

Save Carton and these Installation Instructions for future reference. The carton is the best way to store unit during winter, or when not in use.

1. PREPARE THE WINDOW

Lower sash must open sufficiently to allow a clear vertical opening (H) of following size (see Table 1). Side louvers and the rear of the AC must have clear air space to allow enough airflow through the condenser, for heat removal. The rear of the unit must be outdoors, not inside a building or garage.



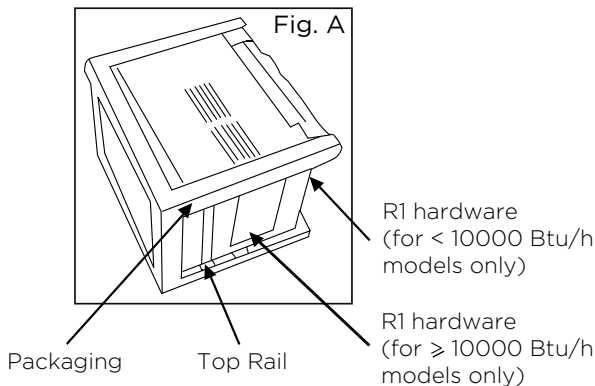
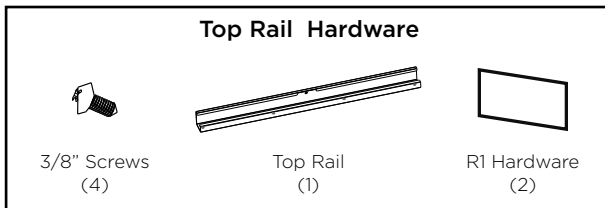
NOTE

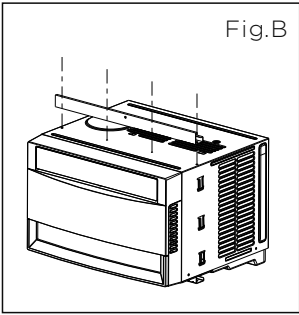
Weather stripping is only for Energy star models.

2. PREPARE AIR CONDITIONER

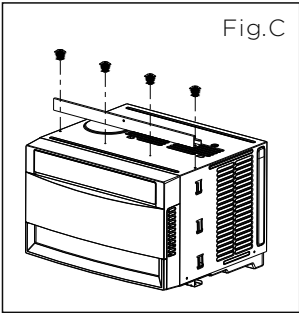
A: Remove the air conditioner from the carton and place on a flat surface.

B: Remove top rail and R1 hardware (R1 hardware only for Energy star models) from the packaging material as shown in Fig. A.





C. Align the hole in the top rail with those in the top of the unit as shown in Fig. B.



D. Secure the top rail to the unit with the 3/8" Screws as shown in Fig. C.

NOTE

For safety reasons, all four (4) screws MUST be securely fastened.

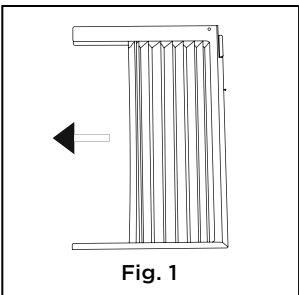
NOTE

The top rail hardware and the Fig. A, Fig. B and Fig. C are not applicable to the units more than 10000 Btu/h. Before installing unit, the top rail must be assembled on the unit (For < 10000 Btu/h models only).

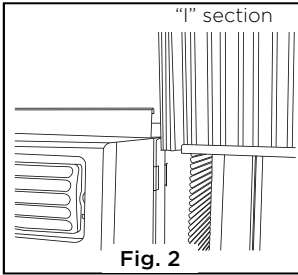
3. INSTALL THE ACCORDION PANELS

NOTE

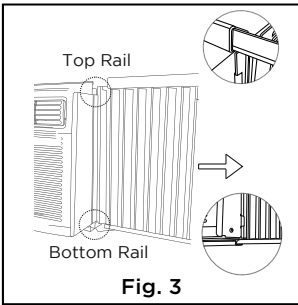
Top rail and Sliding Panels at each side are offset to provide the proper pitch to the rear of (5/16"). This is necessary for proper condensed water utilization and drainage. If you are not using the Side Panels for any reason, this pitch to the rear must be maintained.



A. Place unit on floor, a bench or a table. Hold the Accordion Panel in one hand and gently pull back the center to free the open end. See Fig. 1.

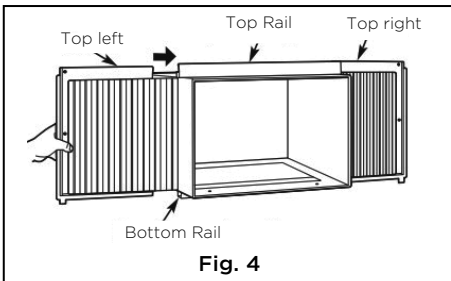


B. Slide the free end "1" section of the panel directly into the cabinet as shown in Fig. 2. Slide the panel down. Be sure to leave enough space to slip the top and bottom of the frame into the rails on the cabinet.



C. Once the panel has been installed on the side of the cabinet, make sure it sits securely inside the frame channel by making slight adjustments.

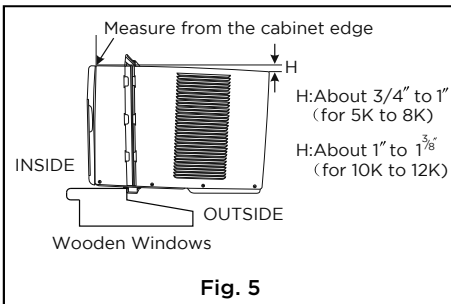
Slide the top and bottom ends of the frame into the top and bottom rails of the cabinet. Fig. 3.



D. Slide the panel all the way in and repeat on the other side.

NOTE

If storm window blocks AC, see Fig. 11.



4. SECURE THE ACCORDION PANELS

A. Keep a firm grip on the air conditioner, carefully place the unit into the window opening so the bottom of the air conditioner frame is against the window sill (Fig. 5). Carefully close the window behind the top rail of the unit.

NOTE

Check that air conditioner is tilted back about H (Fig. 5) (tilted about 3° to 4° downward to the outside). After proper installation, condensate should not drain from the overflow drain hole during normal use, correct the slope otherside.

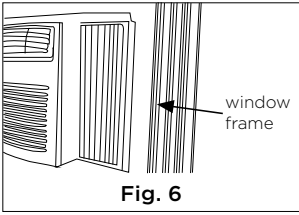


Fig. 6

B. Extend the side panels out against the window frame (Fig. 6).

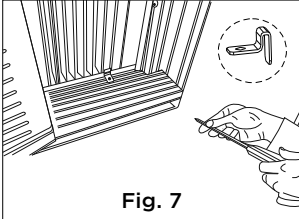


Fig. 7

5. INSTALL SUPPORT BRACKET

A. Place the frame lock between the frame extensions and the window sill as shown (Fig. 7).

Drive 3/4" (19mm) or 1/2" (12.7mm) locking screws through the frame lock and into the sill.

NOTE

To prevent window sill from splitting, drill 1/8" (3mm) pilot holes before driving screws.

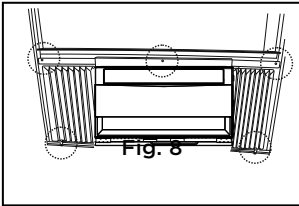


Fig. 8

B. Drive 3/4" (19mm) or 1/2" (12.7mm) locking screws through frame holes into window sash (Fig. 8).

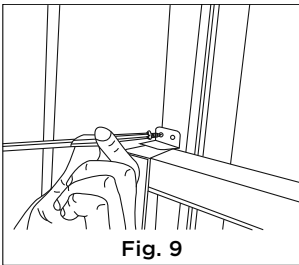


Fig. 9

C. To secure lower sash in place, attach right angle sash lock with 3/4" (19mm) or 1/2" (12.7mm) screw as shown (Fig. 9).

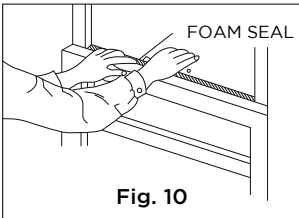


Fig. 10

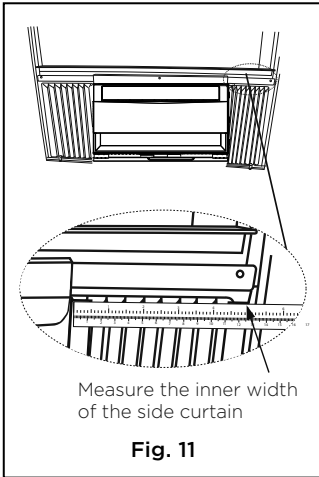
D. Cut Window sash seal foam and insert it in the space between the upper and lower sashes (Fig. 10).

6. INSTALL R1 HARDWARE (only be applicable to Energy star models)

In order to minimize air leaks and ensure optimal insulation, it is necessary to install the included R1 hardware to the side curtain. Follow the instructions below.

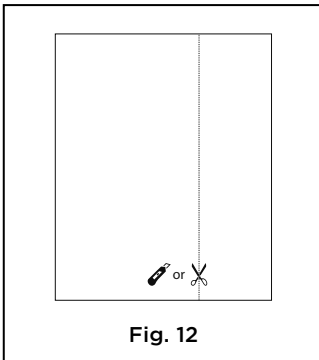
Step 1.

After the unit is installed to the window, measure the inner width of the side curtain as shown (Fig. 11).



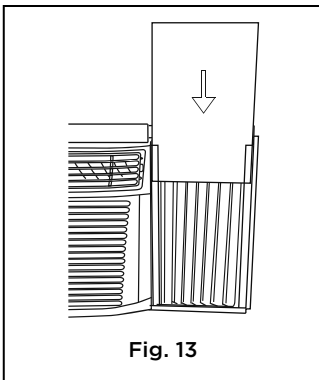
Step 2.

Remark a line on the provide R1 insulation panel according to a length $1/8$ " (3mm) less than the measured width in step 1, then cut the R1 insulation panel along the line (Fig. 12).



Step 3.

Slide the R1 insulation panel into the side curtain, the side with pattern should facing the indoor side. (Fig. 13).



Step 4.

Repeat on the other side.

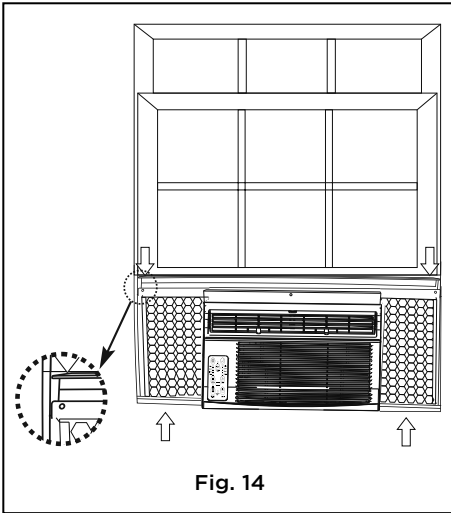


Fig. 14

7. INSTALL WEATHER STRIPPING (only be applicable to Energy star models)

In order to minimize air leaks between the room air conditioner and the window opening, trim the weather stripping with a proper length, peel off the protective backing and plug any gaps if needed (Fig. 14).

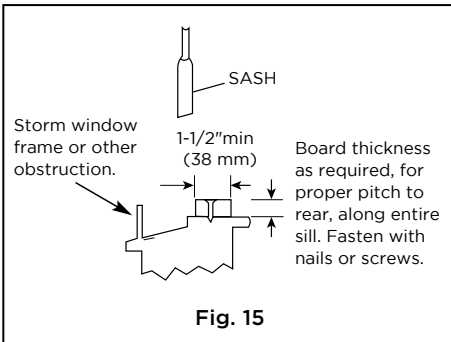


Fig. 15

If AC is Blocked by Storm Window

Add wood as shown in Fig. 15, or remove storm window before air conditioner is installed.

If storm window frame must remain, be sure the drain holes or slots are not caulked or painted shut. Accumulated rain water or condensation must be allowed to drain out.

Removing AC From Window

- Turn AC off, and disconnect power cord.
- Remove sash seal from between windows, and unscrew safety lock.
- Remove screws installed through frame and frame lock.
- Close (slide) side panels into frame.
- Keeping a firm grip on air conditioner, raise sash and carefully remove
- Be carefully not to spill any remaining water while lifting unit from window. Store parts WITH air conditioner.

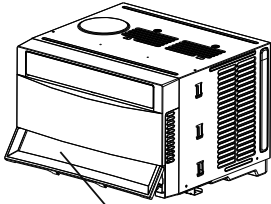
Care and Cleaning

4

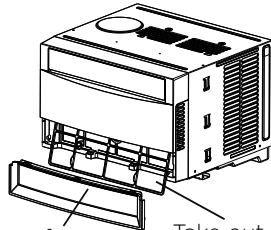
CAUTION

Clean your air conditioner occasionally to keep it looking new. Be sure to unplug the unit before cleaning to prevent shock or fire hazards.

Air Filter Cleaning



Take down the low front panel



Low front panel
Take out the filter

The air filter should be checked at least once a month to see if cleaning is necessary. Trapped particles in the filter can build up and cause an accumulation of frost on the cooling coils.

- Pull the lower front panel left and right sides toward up and out and take down the panel as shown below.
- Take out the filter as shown below.
- Wash the filter using liquid dishwashing detergent and warm water. Rinse filter thoroughly. Gently shake excess water from the filter. Be sure the filter is thoroughly dry before replacing. Or, instead of washing you may vacuum the filter clean.

NOTE

Never use hot water over 40°C (104°F) to clean the air filter. Never attempt to operate the unit without the air filter.

Cabinet Cleaning

- Be sure to unplug the air conditioner to prevent shock or fire hazard. The cabinet and front may be dusted with an oil-free cloth or washed with a cloth dampened in a solution of warm water and mild liquid dishwashing detergent. Rinse thoroughly and wipe dry.
- Never use harsh cleaners, wax or polish on the cabinet front.
- Be sure to wring excess water from the cloth before wiping around the controls. Excess water in or around the controls may cause damage to the air conditioner.
- Plug in air conditioner.

Winter Storage

If you plan to store the air conditioner during the winter, remove it carefully from the window according to the installation instructions. Cover it with plastic or return it to the original carton.

Troubleshooting Tips

5

Before calling for service, review this list. It may save you time and expense. This list includes common occurrences that are not the result of defective workmanship or materials in this appliance.

Problem	Solution
Air conditioner does not start	Wall plug disconnected. Push plug firmly into wall outlet.
	House fuse blown or circuit breaker tripped. Replace fuse with time delay type or reset circuit breaker.
	Plug current device tripped. Press the RESET button.
	Power is OFF. Turn power ON.
Air from unit does not feel cold enough	Room temperature below 17°C (62°F). Cooling may not occur until room temperature rises above 17°C (62°F).
	Temperature sensing behind air filter element touching cold coil. Keep it from the cold coil.
	Set to a lower temperature.
	Compressor stopped when changing modes. Wait for 3 minutes after set to the COOL mode.
Air conditioner cooling, but room is too warm- ice forming on cooling coil behind decorative front.	Outdoor temperature below 18°C (64°F). To defrost the coil, set FAN ONLY mode.
	Air filter may be dirty. Clean filter. Refer to Care and Cleaning section. To defrost, set to FAN ONLY mode.
	Thermostat set too cold for night-time cooling. To defrost the coil, set to FAN ONLY mode. Then, set temperature to a Higher setting.
Air conditioner cooling, but room is too warm- NO ice forming on cooling coil behind decorative front	Air filter may be dirty. Clean filter. Refer to Care and Cleaning section. To defrost, set to FAN ONLY mode.
	Temperature is set too High, set temperature to a lower setting.
	Air directional louvers positioned improperly. Position louvers for better air distribution.
	Front of units is blocked by drapes, blinds, furniture, etc. - restricts air distribution. Clear blockage in front of unit.
	Doors, windows, registers, etc. Open- cold air escapes. Close doors, windows, registers.
Air conditioner turns on and off rapidly	Unit recently turned on in hot room. Allow additional time to remove "Stored heat" from walls, ceiling, floor and furniture.
	Dirty air filter- air restricted. Clean air filter.
Noise when unit is cooling	Outside temperature extremely hot. Set FAN speed to a Higher setting to bring air past cooling coils more frequently.
	Air movement sound. This is normal . If too loud, set to a slower FAN setting.
Water dripping INSIDE when unit is cooling	Window vibration - poor installation. Refer to installation instructions or check with installer.
	Improper installation. Tilt air conditioner slightly to the outside to allow water drainage. Refer to installation instructions - check with installer.
Water dripping OUTSIDE when unit is cooling	Unit removing large quantity of moisture from humid room. This is normal during excessively humid days
Remote Sensing Deactivating Prematurely (some models)	Remote control not located within range. Place remote control within 20 feet & 180°, radius of the front of the unit.
	Remote control signal obstructed. Remove obstruction.
Room too cold	Set temperature too low. Increase set temperature.

Troubleshooting Tips



make yourself at home