

Haier

Installation and User Manual

Instructions d'installation et
Guide de l'utilisateur

Instrucciones de instalación y
Manual del usuario

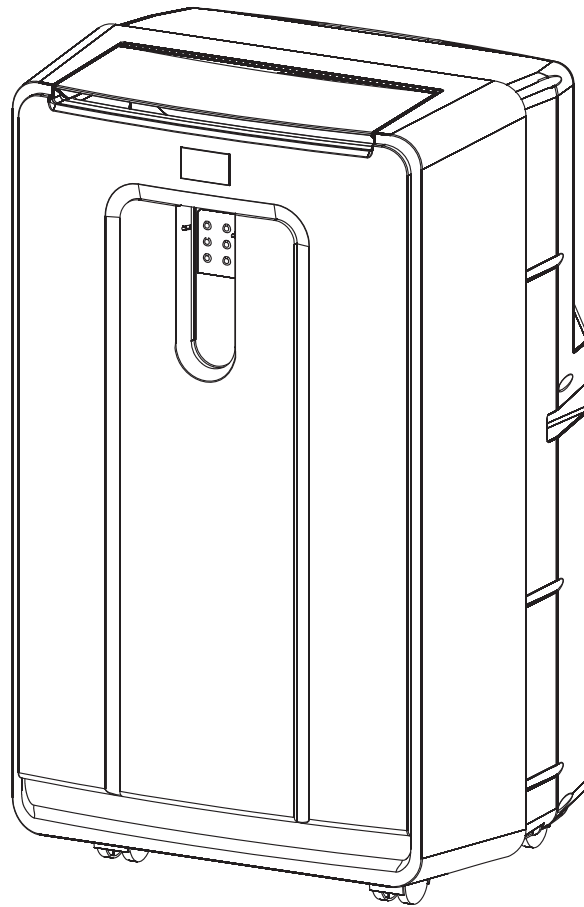
HPND14XCT

HPND14XHT

Portable Air Conditioner

Climatiseur portatif

Acondicionador de aire portatil



Design may vary by model number.

*La configuration peut varier en fonction
du numéro de modèle.*

*El diseño puede variar según el número
de modelo*

*Some models may have an additional
letter after the model number.*

*Sur certains modèles, le numéro de
modèle peut être suivi d'une lettre
supplémentaire.*

*Algunos modelos pueden tener una
letra adicional después del número de
modelo.*

TABLE OF CONTENTS

AIR CONDITIONER SAFETY	2
PARTS AND FEATURES	3
INSTALLATION REQUIREMENTS	4
Tools and Parts	4
Location Requirements	4
Electrical Requirements	4
INSTALLATION INSTRUCTIONS	5
Step 1 - Unpack Air Conditioner	5
Step 2 - Install Exhaust	5
Step 3 - Install Window Panel	6
Step 4 - Attach Exhaust Hose to the Exhaust Nozzle	6
Step 5 - Complete Installation	6
CONTROL PANEL	7
Buttons	7
Remote Control	8
AIR CONDITIONER USE	9
AIR CONDITIONER CARE	9
Cleaning	9
Air Filters	9
Internal Water Tank	9
Storage	9
TROUBLESHOOTING	10
LIMITED WARRANTY	11
RECORD KEEPING	1

RECORD KEEPING

Thank you for purchasing this Haier product. This user manual will help you get the best performance from your new air conditioner.

Model number

For future reference, record the model and serial number located on the label on the side of your air conditioner, and the date of purchase.

Serial number

Staple your proof of purchase to this manual to aid in obtaining warranty service if needed.

Date of purchase

AIR CONDITIONER SAFETY

Your safety and the safety of others are very important.

We have provided many important safety messages in this manual and on your appliance. Always read and obey all safety messages.



This is the safety alert symbol.

This symbol alerts you to potential hazards that can kill or hurt you and others. All safety messages will follow the safety alert symbol and either the word "DANGER," "WARNING" or "CAUTION."

These words mean:



An imminently hazardous situation. You could be killed or seriously injured if you don't immediately follow instructions.



A potentially hazardous situation which, if not avoided, could result in death or serious bodily injury.



A potentially hazardous situation which, if not avoided, may result in moderate or minor injury.

All safety messages will tell you what the potential hazard is, tell you how to reduce the chance of injury, and tell you what can happen if the instructions are not followed.

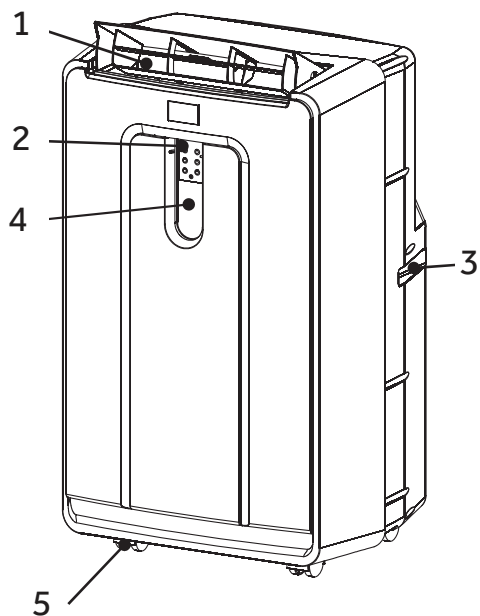
IMPORTANT SAFETY INSTRUCTIONS

WARNING: To reduce the risk of fire, electrical shock, injury to persons, or damage when using the air conditioner, follow basic precautions, including the following:

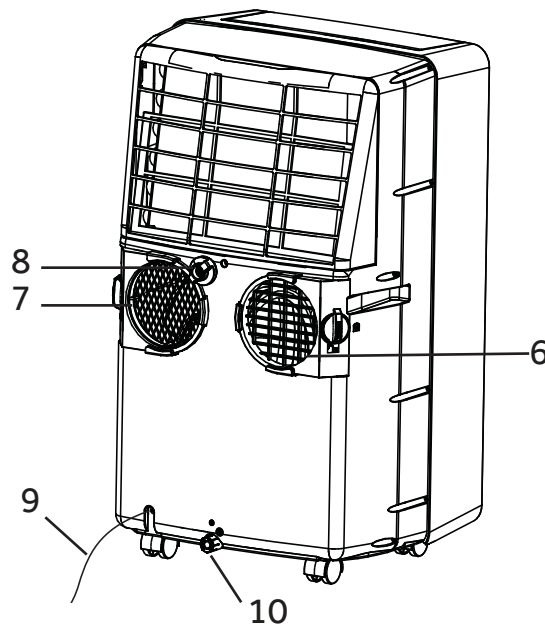
- Read all of the instructions before using this appliance.
 - Plug into a grounded 3 prong outlet.
 - Do not remove ground prong.
 - Do not use an adapter.
 - Do not use an extension cord.
 - Do not operate the air conditioner if it has a damaged cord or plug, if it is not working properly, or if it has been damaged or dropped.
 - The air conditioner should be serviced only by qualified service personnel. Call an authorized service company for examination, repair, or adjustment.
 - Disconnect power before servicing.
 - Disconnect power before cleaning.
- NOTE:** Turning off power by pressing the Power button does NOT disconnect the appliance from the power supply.
- Do not install or use the air conditioner in any area where the atmosphere contains combustible gases or where the atmosphere is contaminated. Avoid any chemicals coming in contact with your air conditioner.
 - Do not store anything directly on top of the air conditioner.
 - Use two or more people to move and install air conditioner.
 - Never operate the air conditioner without the filters in place.
 - Do not use the air conditioner near a bathtub, shower or wash basin or other wet area.

READ AND SAVE THESE INSTRUCTIONS

PARTS AND FEATURES



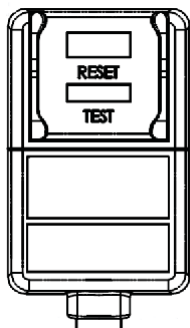
- 1. Air Outlet
- 2. Control Panel
- 3. Handle
- 4. Remote Control Cradle
- 5. Casters



- 6. Air Inlet
- 7. Air Outlet
- 8. Upper Drain
- 9. Power Cord
- 10. Lower Drain

NOTE: Please ensure if the water outlet drain is well installed before use.

Power Cord



TEST: When this button is pressed or when there is a current leak, the unit will not operate.

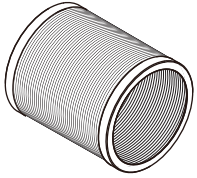
RESET: After resolving the problem, press the reset button to resume operation.

INSTALLATION REQUIREMENTS

TOOLS AND PARTS

Gather the required tools and parts before starting installation.

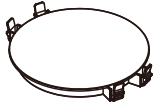
PARTS SUPPLIED



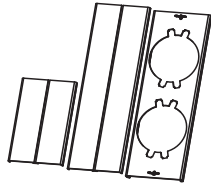
Exhaust Hose (2)



Hose Connector (2)



Cover #5 (2)



Window Panel and
Extension Panel (3)

LOCATION REQUIREMENTS

- Place the air conditioner on a flat, level surface in a location that is at least 20" (51 cm) from any wall.

NOTE: The recommended distance from the window for optimal performance is 31.5 (80 cm).

- Maintain a minimum 20" (51 cm) clearance around the air conditioner to not block airflow.
- Keep the air conditioner free of any obstructions such as drapes, curtains, blinds, etc.
- The exhaust hose should be free of any obstructions.
- Do not place the air conditioner on an unstable or raised surface because it could fall and cause damage or injury.
- Do not place the air conditioner in direct sunlight or near a heat source such as baseboard heaters, stoves, etc.
- The window panel can be installed in a window with a minimum 20" (51 cm) to a maximum 46" (117 cm) opening.

ELECTRICAL REQUIREMENTS

⚠ WARNING



Electrical Shock Hazard

Plug into a grounded 3 prong outlet.

Do not remove the ground prong from the power cord plug.

Do not use an adapter.

Do not use an extension cord.

Failure to do so can result in death, fire or electrical shock.

POWER SUPPLY CORD

Wiring Requirements

- 115 Volt, 60Hz, 15-amp fused grounded 3 prong outlet
- The use of a time-delay fuse or time-delay circuit breaker is recommended.
- Use a dedicated circuit only.

NOTE: Do not operate any other electrical appliances on this circuit or you may trip the circuit breaker/fuse.

If this power supply cord is damaged, it cannot be repaired. It must be replaced with a cord from the product manufacturer. If the power supply cord is damaged call Haier Customer Service: 1-877-337-3639.

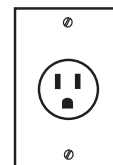


To test the power supply cord before operation:

- Plug the power cord into a grounded 3 prong outlet.
- Press the Test button, and then press and release the Reset button to restore power.

REQUIRED GROUNDING METHOD

This air conditioner must be grounded. The air conditioner is equipped with a power supply cord that has a 3 prong grounding plug. The power supply cord must be plugged into a mating, grounded 3 prong outlet, and grounded in accordance with all local codes and ordinances.



115V
15 Amp

INSTALLATION INSTRUCTIONS

STEP 1 - UNPACK AIR CONDITIONER

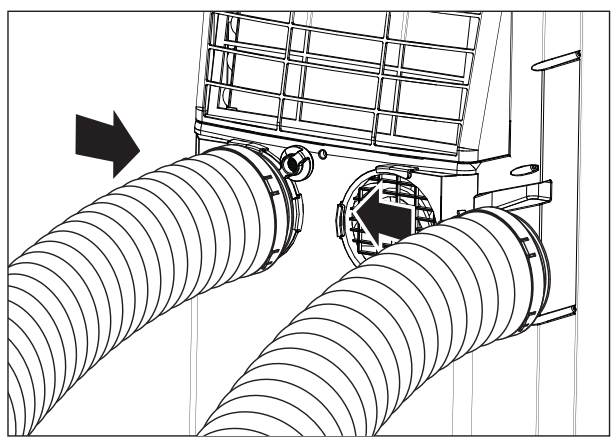
⚠ WARNING

Excessive Weight Hazard

Use two or more people to move and install air conditioner.
Failure to do so can result in back or other injury.

- Remove packaging materials. Save the carton and the foam packaging for storing the air conditioner when not in use.
- **NOTE:** There are NO packing materials inside the air conditioner to remove—Do Not open the cabinet.
- Properly dispose of/recycle all packing material.
- Handle the air conditioner gently.
- Keep the air conditioner upright and level. Do not set the air conditioner on its side, front, back or upside down.

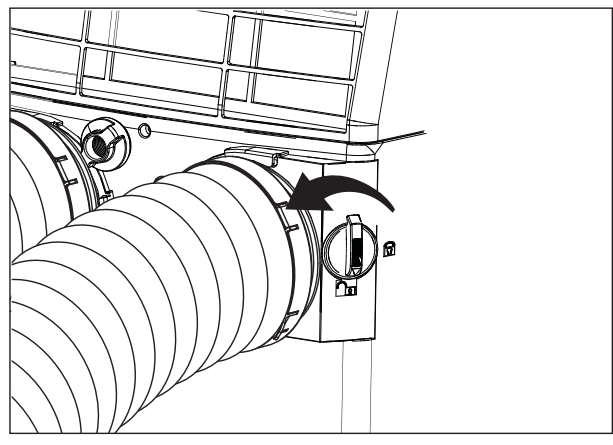
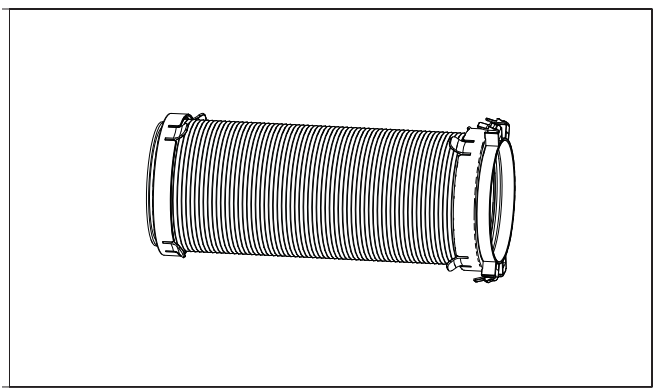
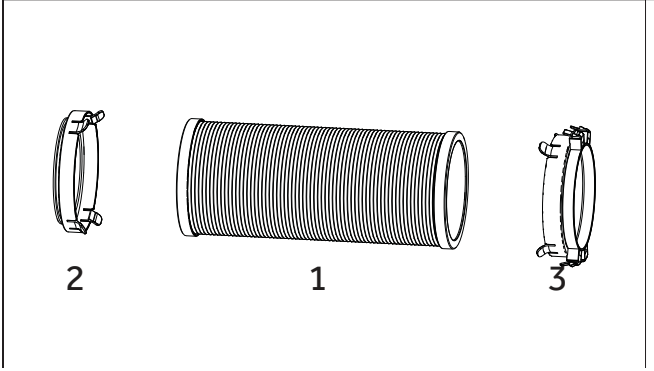
2. Sliding in one end of hose assembly (with hose connector #2) to rear panel.



Then turn knob to fix the hose assembly firmly.
NOTE: Smaller diameter hose to slide in from right of rear panel, and the larger one from left side.

STEP 2 - INSTALL EXHAUST

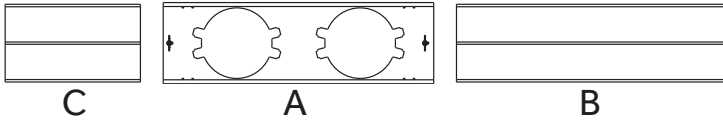
1. Connect the connectors #2 and #3 to two sides of exhaust hose #1 to create an exhaust assembly.



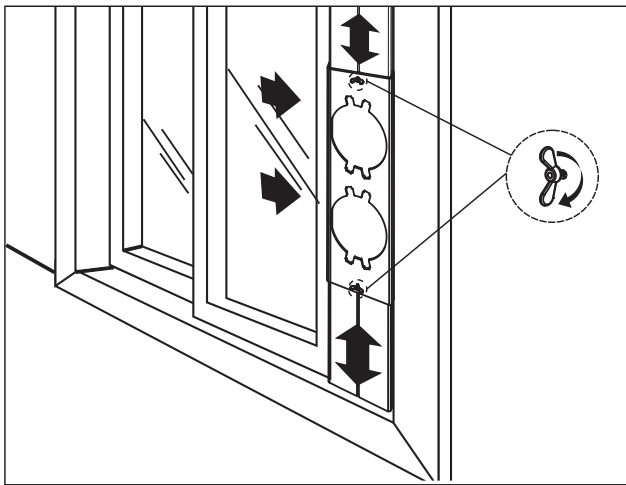
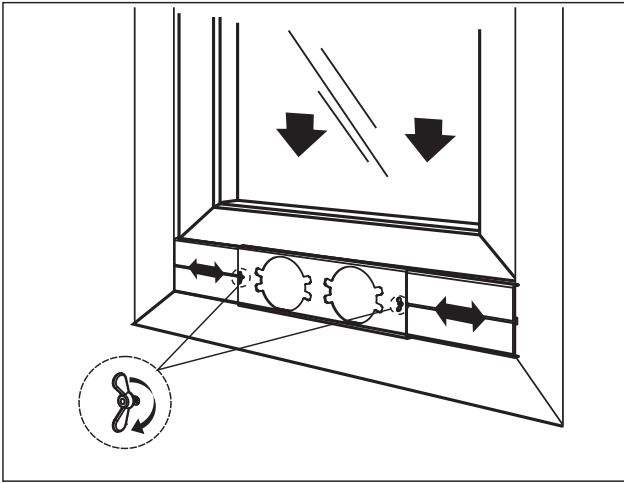
INSTALLATION INSTRUCTIONS

STEP 3 - INSTALL WINDOW PANELS

1. Insert the window panel B and C to each end of the main panel A. Adjust to fix the length of window

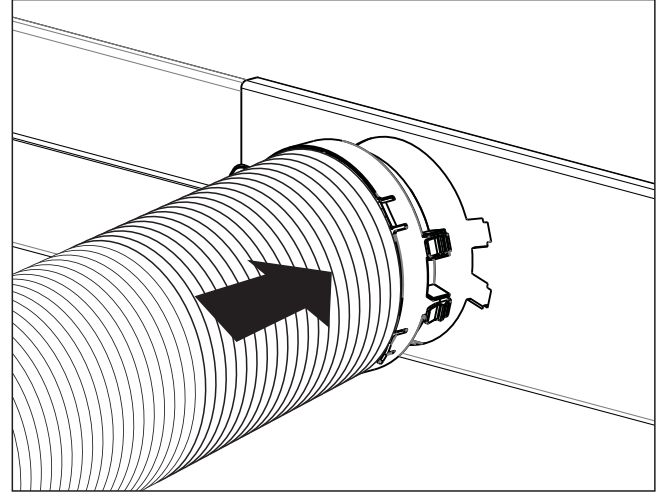


2. Open the window and place window panels into window. Adjust the extension panels to fit width or height of window by the screw and nut sets mounted on the main panel A.



STEP 4 - ATTACH EXHAUST HOSE TO THE EXHAUST NOZZLE

1. Insert the other end of the exhaust hose assembly (with hose connector #3) onto the window bracket.



2. Repeat Steps 2 - 4 for the installation of the second hose assembly.

STEP 5 - COMPLETE INSTALLATION

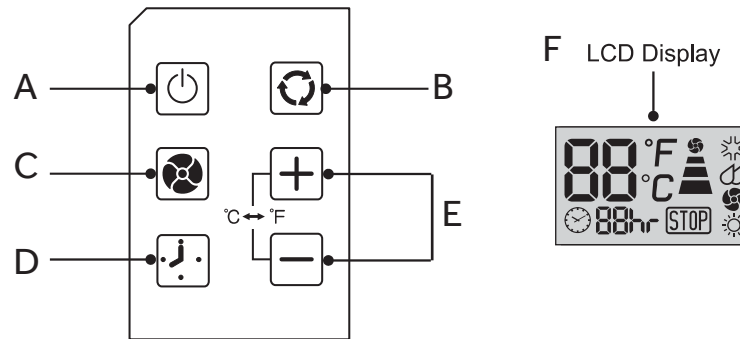
⚠ WARNING



Electrical Shock Hazard

- Plug into a grounded 3 prong outlet.
- Do not remove the ground prong from the power cord plug.
- Do not use an adapter.
- Do not use an extension cord.
- Failure to do so can result in death, fire or electrical shock.

1. Plug the power cord into a grounded 3 prong outlet.
2. Press the Reset button on the power cord to ensure the safety plug is providing power to the air conditioner.
3. Allow 8" of space around the unit for proper air circulation.
4. When removing the portable air conditioner for storage, the window panel may be left in place. Simply place the cover (#5) over the hole on the window panel.



BUTTONS

A Power On/Off

B. Mode

Press the mode button for desired setting.

Cool: sign appears in LCD display when in cooling.

Dehumidification: sign appears in LCD display when in dehumidification mode.

Fan: sign appears in LCD display when in the fan mode.

Heat: sign appears in LCD display when in the heat mode. (HPND14XHT Only).

C. Fan Speed

There are 3 adjustable speeds in the cool and fan mode: Low, Medium, and High. In dehumidification mode, and room temperature is greater than 77° F, fan speed can be adjusted; otherwise fan speed is fixed to "low".

D. On/Off Timer

To set the timer for a 1- 24-hour delay until the air conditioner turns off:

1. When you use the timer setting button while the unit is operating, you can preset a time for the unit to turn off.
2. When you use the timer setting button while the unit is on standby, you can preset a time for the unit to turn on.
3. If you press the "ON/OFF" button, the preset timer function will be canceled.
4. Timer setting range is 1-24 hours.

To clear Timer Delay program:

NOTE: Air conditioner can be either on or off.

1. Press the Timer Button.
2. Press and hold the minus button until the timer display has cleared.

To change the remaining time (in hours):

1. Press the Timer Button.
2. Press the plus or minus button to change the delay time from 1 to 24 hours.

E. Setting the Temperature

To set the temperature, press the + or - key to raise or lower the temperature. The temperature can be raised or lowered in the cool mode. The temperature cannot be adjusted in fan or dehumidification mode. Press + and - simultaneously to switch between °F and °C.

NOTE: The temperature can be set between 61° F to 89° F (Cool mode) and 61° F to 80° F (Heat Mode).

F. LCD Display

When STOP indicator light turns on, the internal water tank has filled with condensate water and the air conditioner will turn off automatically. See "Portable Air Conditioner Care" for directions on draining the air conditioner.


CONTROL PANEL


REMOTE CONTROL


1. Power On/Off

2. Mode

Cool:  sign appears in LCD display when in cooling.

Dehumidification:  sign appears in LCD display when in dehumidification mode.

Fan:  sign appears in LCD display when in the fan mode.

Heat:  sign appears in LCD display when in the heat mode. (HPND14XHT Only).

3. Fan Speeds

There are 3 adjustable speeds in the cool and fan mode: Low, Medium and High. In dehumidification mode, and room temperature is greater than 77° F, fan speed can be adjusted; Otherwise fan speed is fixed to "low".

4. On/Off Timer

To set the timer for a 1- 24-hour delay until the air conditioner turns off:

1. When you use the timer setting button while the unit is operating, you can preset a time for the unit to turn off.
2. When you use the timer setting button while the unit is on standby, you can present a time for the unit to turn on.
3. If you press the "ON/OFF" button, the preset timer function will be canceled.
4. Timer setting range is 1-24 hours.

To clear Timer Delay program:

NOTE: Air conditioner can be either on or off.

1. Press the Timer Button.
2. Press and hold the minus button until the timer display has cleared.

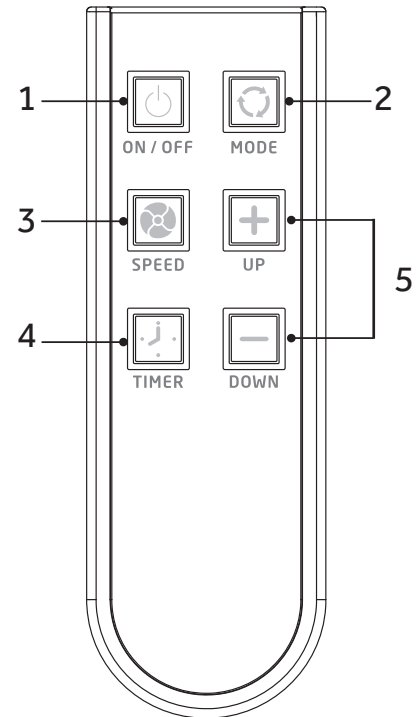
To change the remaining time (in hours):

1. Press the Timer Button.
2. Press the plus or minus button to change the delay time from 1 to 24 hours.
3. The new delay time will display.

5. Setting the Temperature

To set the temperature, press the + or - keys to raise or lower the temperature. The temperature can be raised or lowered in the cool mode. The temperature cannot be adjusted in fan or dehumidification mode.

NOTE; The temperature can be set between 61° F to 89° F (Cool Mode) and 61° F to 80° F (Heat Mode).



AIR CONDITIONER USE

IMPORTANT: If the air conditioner has been tilted on its side, wait 24 hours before turning on the air conditioner to allow the oil to return to the compressor. This will prevent the air conditioner from failing prematurely.

- Allow 20" (51 cm) of space around the unit for proper air circulation.
- Do Not operate the air conditioner without air filters in place.
- Do not spill liquid on the control panel; it may cause an electrical short to the interior electronic parts that would either disable them or cause them to function improperly.
- When turning on the air conditioner for the first time after plugging it into an electrical outlet, the unit will start in Cooling mode set at 75°F (24°C), and at High fan speed. The control panel will display the current room temperature.
- When turning on the unit after previous use, it will remember the last settings used.
- After a normal shut down, please wait for 3 minutes before restarting the unit.
- In Cooling mode, this unit should not require water to be removed. This model has a unique design that continuously evaporates the water.
- When the unit is operated in high humidity conditions, you may need to empty the water tank periodically.
- The unit will shut down automatically when the water tank is full. The Water Full indicator illuminates to alert you of this condition.

AIR CONDITIONER CARE

⚠ WARNING



Electrical Shock Hazard

Disconnect power before cleaning.

Failure to do so can result in death or electrical shock.

CLEANING

1. Unplug or disconnect power.
2. Use only a soft cloth dampened with water to clean the cabinet.

NOTE:

 - Do not use a liquid or spray cleaner to clean the air conditioner.
 - DO NOT use chemicals, abrasives, ammonia, chlorine bleach, concentrated detergents, solvents or scouring pads. Some of these chemicals/items may damage and/or discolor your air conditioner.
3. Dry thoroughly with a soft cloth.
4. Plug in or reconnect power.

AIR FILTERS

The air filters should be cleaned at least once a week for your unit to operate at optimum efficiency.

IMPORTANT: Do Not operate the air conditioner without air filters in place.

1. Unplug or disconnect power.
2. Pull on the tabs to slide out the filters from the back of the air conditioner.

NOTE: The secondary filters are accessible once the main filters are removed.
3. Wash or vacuum the dust from the air filters.

NOTE: If washed, gently shake the filter to remove the excess water and dust particles trapped in the filter.
4. Reinstall the filters.
5. Plug in or reconnect power.

INTERNAL WATER TANK

The Water Full indicator illuminates, when the internal water tank has filled with condensed water.

To Empty the Internal Water Tank:

1. Unplug or disconnect power.
2. Place a shallow 1 quart or larger pan (not included) below the lower drain located on the back (near the bottom) of the air conditioner.
3. Remove the cap and the rubber plug and drain the water tank.
4. Re-insert the drain plug and screw the cap snugly into place.
5. Plug in or reconnect power.

STORAGE

If the unit is not being used for a long period of time:

1. Unplug or disconnect power.
2. Drain the water from the water tank. See "Air Conditioner Care."
3. Use the original packaging to repack the unit to avoid a buildup of dust or dirt.
4. Store the air conditioner in a cool, dry location.

TROUBLESHOOTING

First try the solutions suggested here to possibly avoid the cost of a service call.

PROBLEM	POSSIBLE CAUSE(S)	SOLUTION
Unit does not start or operate	Power supply cord is not plugged into an outlet.	Plug the power cord into a grounded 3 prong outlet.
	Power supply cord has tripped.	Press and release the RESET button on the power supply cord.
	The Power button has not been pressed.	Press the Power button on the Control Panel or Remote Control to turn ON the air conditioner.
	There is no power to the electrical outlet.	Plug a working lamp into the outlet to check for power.
	A household fuse has blown or a circuit breaker has tripped.	Replace the fuse or reset the circuit breaker.
	The control was programmed for a Time Delay.	Cancel the Time Delay. See "Control Panel."
	The batteries in the remote control are dead.	Replace the batteries.
	The internal water tank is full. NOTE: The air conditioner automatically turns off, and the Water Full indicator illuminates to alert you of this condition.	Empty the water tank. See "Air Conditioner Care."
Remote control is not working	Batteries are dead.	Replace the batteries.
	Batteries are installed incorrectly.	Make sure the batteries are inserted in the correct position.
Air conditioner is working but the room is not cooling.	The room temperature is hot. NOTE: On extremely hot and humid days, the air conditioner will take longer to cool the room.	Allow time for the room to cool when you first turn on the unit. Make sure the air conditioner has an adequate BTU rating for the size of the room being cooled.
	The control is set incorrectly to Fan or Dehum mode.	Set the Mode to Cool and the Fan Speed to High.
	Airflow is restricted.	Remove any obstacles to the airflow and redirect airflow for uniform cooling.
	Temperature set too high.	Lower the set temperature.
	Air filters are dirty or restricted.	Clean the air filter. See "Air Conditioner Care."
	Air conditioner installed incorrectly	Check the exhaust hose and window panel for proper installation.
	Doors and windows are open.	Close the doors and windows to the room being cooled to prevent cooled air from escaping.

FOR MORE HELP, VISIT HAIERAMERICA.COM OR CALL THE CONSUMER HELP LINE AT 1-877-337-3639.

LIMITED WARRANTY

For The Period Of:	Will Replace:
One Year From the date of the original purchase	Replacement, repair, or refund of the original retail price for any product which fails due to a defect in materials or workmanship. If the unit is exchanged, the replacement unit is warranted for the remainder of your product's original one-year warranty period. GE will, at its sole discretion, replace the product with a product of the same or comparable functionality and quality or refund the original retail price.

In Order to Make a Warranty Claim During the First 90 Days from the Date of Original Purchase:

- Properly pack your unit. We recommend using the original carton and packing materials.
- Return the product to the retail location where it was purchased.
- Include in the package a copy of the sales receipt or other evidence of date of original purchase. Also print your name and address and a description of the defect.

In Order to Make a Warranty Claim During the Remainder of the One-Year Warranty:

- Locate your original sales receipt and make a note of your model and serial number.
- Call 1.877.337.3639 (in the United States) to initiate the product replacement process. In Canada, call 1.877.470.9174.
- You will be asked to provide your name, address, date of purchase, model and serial number.
- GE Appliances will arrange for a carton to be sent to your home to recover the product.
- Please return all requested materials (postage pre-paid) in the carton provided. Please include a description of the defect.
- You should receive your replacement product or refund within 7 to 10 business days after your package is received.

What Will Not Cover:

- Customer instruction. This owner's manual provides information regarding operating instructions and user controls.
- Improper installation. If you have an installation problem, or if the air conditioner is of improper capacity, contact your dealer or installer. You are responsible for providing adequate electrical connecting facilities.
- Failure of the product resulting from modifications to the product or due to unreasonable use including failure to provide reasonable and necessary maintenance.
- Replacement of house fuses or resetting of circuit breakers.
- Failure due to corrosion on models not corrosion-protected.
- Damage to the product caused by improper power supply voltage, accident, fire, floods or acts of God.
- Incidental or consequential damage caused by possible defects with this air conditioner.
- Damage caused after delivery.

EXCLUSION OF IMPLIED WARRANTIES - Your sole and exclusive remedy is product repair as provided in this Limited Warranty. Any implied warranties, including the implied warranties of merchantability or fitness for a particular purpose, are limited to one year or the shortest period allowed by law.

For US Customers: This warranty is extended to the original purchaser and any succeeding owner for products purchased for home use within the USA. If the product is located in an area where service by a GE Appliances Authorized Servicer is not available, you may be responsible for a trip charge or you may be required to bring the product to an Authorized GE Appliances Service location for service. In Alaska, the warranty excludes the cost of shipping or service calls to your home.

Some states do not allow the exclusion or limitation of incidental or consequential damages. This warranty gives you specific legal rights, and you may also have other rights which vary from state to state. To know what your legal rights are, consult your local or state consumer affairs office or your state's Attorney General.

Warrantor US:
GE Appliances, a Haier company

TABLE DES MATIÈRES

SÉCURITÉ DU CLIMATISEUR	13
PIÈCES ET CARACTÉRISTIQUES	14
EXIGENCES D'INSTALLATION	15
Outillage et pièces	15
Exigences d'emplacement	15
Spécifications électriques	15
INSTRUCTIONS D'INSTALLATION	16
Étape 1 - Déballage du climatiseur	16
Étape 2 - Installation du tuyau d'évacuation	16
Étape 3 - Installation des panneau de fenêtre	17
Étape 4 - Raccordement du tuyau d'évacuation à la buse d'évacuation	17
Étape 5 - Fin de l'installation	17
TABLEAU DE COMMANDE	18
Boutons	18
Télécommande	19
UTILISATION DU CLIMATISEUR	20
ENTRETIEN DU CLIMATISEUR	20
Nettoyage	20
Filtres à air	20
Réservoir d'eau interne	20
Rangement	20
DÉPANNAGE	21
GARANTIE LIMITÉE	23
DOCUMENTS À CONSERVER	12

DOCUMENTS À CONSERVER

Merci d'avoir acheté ce produit Haier. Ce manuel d'utilisation vous aidera à obtenir la meilleure performance possible de votre climatiseur.

Numéro de modèle

Pour référence ultérieure, inscrire le numéro de plaque signalétique et la date d'achat. La plaque signalétique est située sur une étiquette sur le côté de votre le climatiseur.

Numéro de série

Pour faciliter l'obtention d'un service sous garantie, agraffer la preuve de la date d'achat à ce manuel.

Date d'achat

SÉCURITÉ DU CLIMATISEUR

Votre sécurité et celle des autres est très importante.

Nous donnons de nombreux messages de sécurité importants dans ce manuel et sur votre appareil ménager. Assurez-vous de toujours lire tous les messages de sécurité et de vous y conformer.



Voici le symbole d'alerte de sécurité.

Ce symbole d'alerte de sécurité vous signale les dangers potentiels de décès et de blessures graves à vous et à d'autres. Tous les messages de sécurité suivront le symbole d'alerte de sécurité et le mot "DANGER," "AVERTISSEMENT" ou "ATTENTION."

Ces mots signifient :

 **DANGER**

Une situation de danger imminent. Vous courez le risque d'un décès ou de blessures graves si vous ne suivez pas immédiatement les instructions.

 **AVERTISSEMENT**

Une situation potentiellement dangereuse qui, si vous ne l'évitez pas, peut provoquer la mort ou des blessures graves.

 **ATTENTION**

Une situation potentiellement dangereuse qui, si vous ne l'évitez pas, peut entraîner des blessures légères à modérées.

Tous les messages de sécurité vous diront quel est le danger potentiel et vous disent comment réduire le risque de blessure et ce qui peut se produire en cas de non-respect des instructions.

IMPORTANTES INSTRUCTIONS DE SÉCURITÉ

AVERTISSEMENT : An de réduire le risque d'incendie, de choc électrique, de blessures corporelles ou de dommage lors de l'utilisation du climatiseur, il convient d'observer certaines précautions fondamentales, notamment :

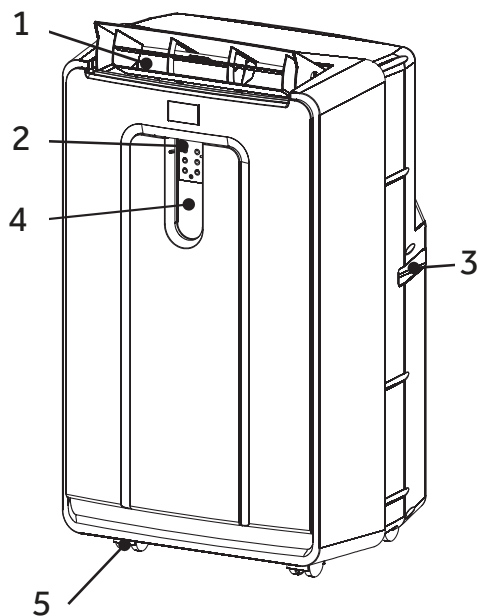
- Lire toutes les instructions avant d'utiliser cet appareil.
- Brancher sur une prise à 3 alvéoles reliée à la terre.
- Ne pas enlever la prise de liaison à la terre.
- Ne pas utiliser d'adaptateur.
- Ne pas utiliser de rallonge.
- Ne pas faire fonctionner le climatiseur si la prise ou le câble est endommagé(e), si l'appareil ne fonctionne pas correctement, s'il est tombé par terre ou a été endommagé.
- Seul du personnel d'entretien qualifié est habilité à effectuer une intervention d'entretien sur le climatiseur. Contacter le centre de service agréé le plus proche pour examen, réparation ou réglage.
- Déconnecter la source de courant électrique avant l'entretien.
- Déconnecter la source de courant électrique avant le nettoyage.

REMARQUE : Éteindre l'appareil en appuyant sur le bouton Power (mise sous tension) ne débranche PAS l'appareil de l'alimentation électrique.

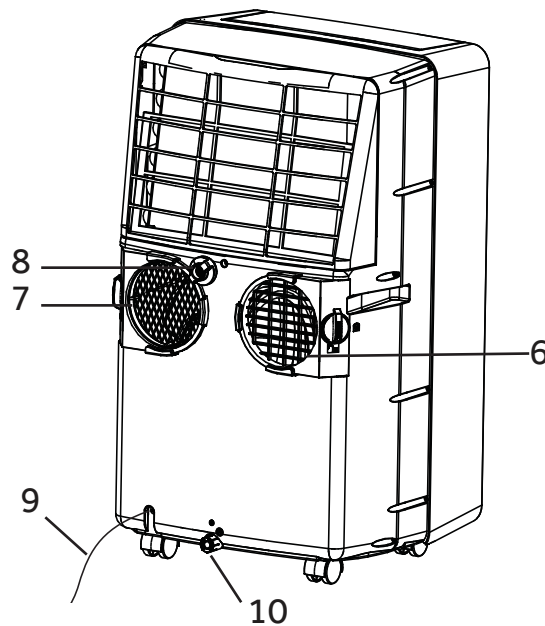
- Ne pas installer le climatiseur ou l'utiliser dans une zone dont l'atmosphère contient des gaz combustibles ou dont l'atmosphère est contaminée. Éviter les contacts entre tout produit chimique et le climatiseur.
- Ne rien remiser directement au-dessus du climatiseur.
- Utiliser deux personnes ou plus pour déplacer et installer le climatiseur.
- Ne jamais faire fonctionner le climatiseur si les filtres ne sont pas en place.
- Ne pas faire fonctionner le climatiseur à proximité d'une baignoire, d'une douche, d'un lavabo ou de toute zone humide.

LIRE ET CONSERVER CES INSTRUCTIONS

PIÈCES ET CARACTÉRISTIQUES



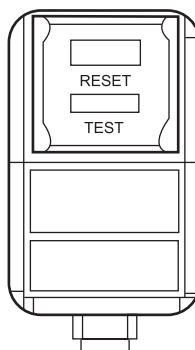
- 1. Sortie d'air
- 2. Panneau de commande
- 3. Poignée
- 4. Socle de télécommande
- 5. Roulettes



- 6. Admission d'air
- 7. Sortie d'air
- 8. Orifice d'évacuation supérieur
- 9. Cordon électrique
- 10. Orifice d'évacuation inférieur

REMARQUE : Prière de vous assurer que l'orifice d'évacuation d'eau est bien installé avant l'utilisation.

Cordon d'alimentation



TEST (test) : Lorsque ce bouton est enfoncé ou si une fuite est présente, l'appareil ne fonctionnera pas.

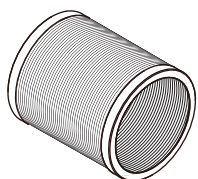
RESET (réinitialisation) : Une fois le problème résolu, appuyer sur le bouton de réinitialisation pour redémarrer l'appareil.

INSTRUCTIONS D'INSTALLATION

OUTILS ET PIÈCES

Regrouper les outils et les pièces nécessaires avant de commencer l'installation.

PIÈCES FOURNIES



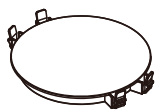
Tuyau d'évacuation (2)



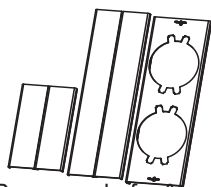
Raccord de tuyau (2)



Raccord de tuyau (2)



Couvercle #5 (2)



Panneau de fenêtre et panneau de rallonge (3)

EXIGENCES D'EMPLACEMENT

- Placer le climatiseur sur une surface plane et horizontale à une distance de 20" (51 cm) au minimum de tout mur.
NOTE: La distance recommandée par rapport à la fenêtre pour une performance optimale est de 31,5 pouces.
- Maintenir un dégagement de 20" (51 cm) au minimum autour du climatiseur afin de ne pas entraver la circulation d'air.
- Ne pas obstruer le climatiseur de quelque manière que ce soit (rideaux, stores, etc).
- Le tuyau d'évacuation doit être dégagé de toute obstruction.
- Ne pas placer le climatiseur sur une surface instable ou surélevée. Celui-ci pourrait basculer et occasionner des dommages ou des blessures.
- Placer le climatiseur à l'abri de la lumière directe du soleil ou d'une source de chaleur (plinthes chauffantes, cuisinières, etc).
- Le panneau de fenêtre peut être installé sur une fenêtre d'une ouverture de 20" (51 cm) minimum à 46" (117 cm) maximum.

SPÉCIFICATIONS ÉLECTRIQUES

⚠ AVERTISSEMENT



Risque de choc électrique

Brancher sur une prise à 3 alvéoles reliée à la terre.

Ne pas enlever la broche de liaison à la terre du cordon d'alimentation.

Ne pas utiliser un adaptateur.

Ne pas utiliser un câble de rallonge.

Le non-respect de cette instruction pourrait causer un décès, un incendie ou un choc électrique.

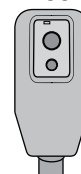
CORDON D'ALIMENTATION ÉLECTRIQUE

Spécifications du câblage

- 115 V, 60 Hz, 15 ampères, protégé par fusible et relié à la terre.
- On recommande l'emploi d'un disjoncteur ou fusible temporaire.
- Utiliser uniquement un circuit distinct.

Ne faire fonctionner aucun autre appareil électrique sur ce circuit, car cela pourrait déclencher le disjoncteur ou griller les fusibles.

Si le cordon d'alimentation est endommagé, celui-ci ne peut pas être réparé. Il doit être remplacé par un cordon d'alimentation fourni par le fabricant du produit. Si le cordon d'alimentation électrique est endommagé, contacter le service à la clientèle de Haier au 1-877-337-3639.

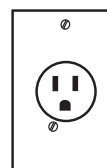


Pour tester le cordon d'alimentation avant utilisation

1. Brancher le cordon d'alimentation dans une prise à 3 alvéoles reliée à la terre.
2. Appuyer sur le bouton Test, puis appuyer et relâcher le bouton Reset (réinitialisation) pour rétablir l'alimentation.

MÉTHODE DE LIAISON À LA TERRE REQUISE

Ce climatiseur doit être relié à la terre. Le climatiseur est équipé d'un cordon d'alimentation électrique à trois broches pour la liaison à la terre. Le cordon d'alimentation doit être branché sur une prise de courant de configuration correspondante, à 3 alvéoles, reliée à la terre et installée conformément à tous les codes et règlements locaux.



115 V
15 Amp

INSTRUCTIONS D'INSTALLATION

ÉTAPE 1 - DÉBALLAGE DU CLIMATISEUR

⚠ AVERTISSEMENT

Risque du poids excessif

Utiliser deux ou plus de personnes pour déplacer et installer le climatiseur.

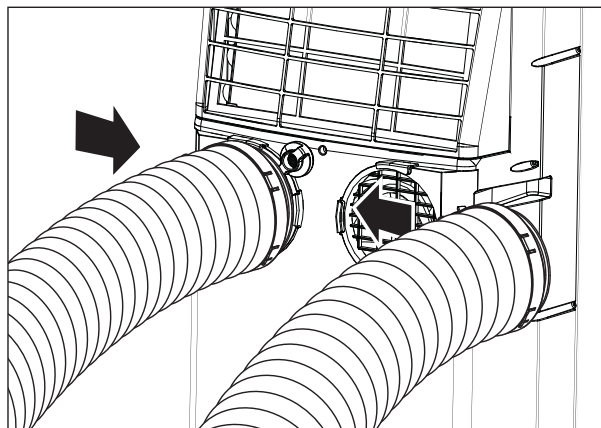
Le non-respect de cette instruction peut causer une blessure au dos ou d'autres blessures.

- Enlever les matériaux d'emballage. Conserver le carton et le polystyrène d'emballage pour entreposer le climatiseur lorsqu'il n'est pas utilisé.

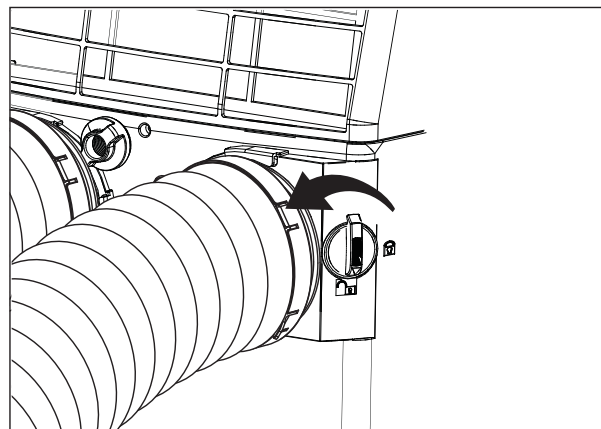
REMARQUE : Il n'y a AUCUN matériau d'emballage à retirer à l'intérieur du climatiseur - Ne pas ouvrir la caisse.

- Jeter/recycler tous les matériaux d'emballage de manière adéquate.
- Manipuler le climatiseur délicatement.
- Garder le climatiseur debout et d'aplomb. Ne pas placer le climatiseur sur le flanc, sur l'avant, sur le dos ou à l'envers.

2. Glisser une extrémité du tuyau assemblé (avec le connecteur de tuyau no 2) dans le panneau arrière.

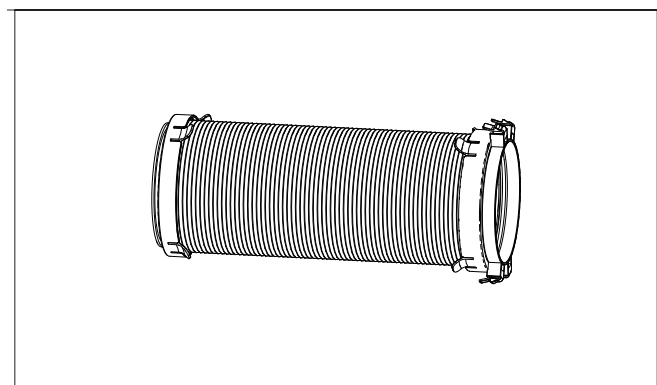
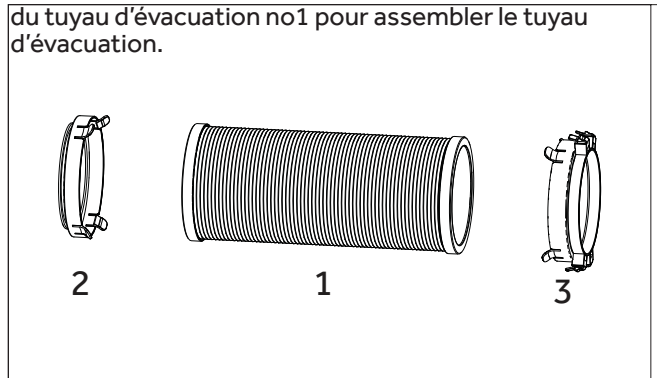


Puis tourner le bouton pour fixer le tuyau assemblé solidement.
REMARQUE : Le tuyau de plus petit diamètre se glisse depuis la droite du panneau arrière et le plus grand, depuis la gauche.



ÉTAPE 2 - INSTALLATION DU TUYAU D'ÉVACUATION

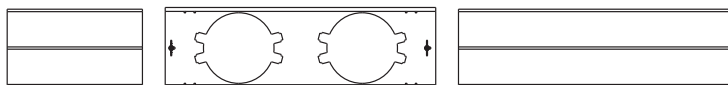
1. Connecter les raccords no2 et no3 sur les deux extrémités du tuyau d'évacuation no1 pour assembler le tuyau d'évacuation.



INSTRUCTIONS D'INSTALLATION

ÉTAPE 3 - INSTALLATION DES PANNEAUX DE FENÊTRE

1. Insérer les panneaux de fenêtre B et C dans chaque extrémité du panneau principal A. Les adapter à la largeur de la fenêtre.

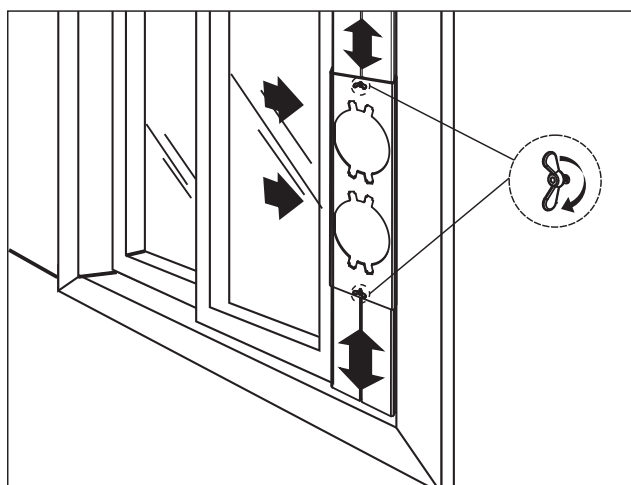
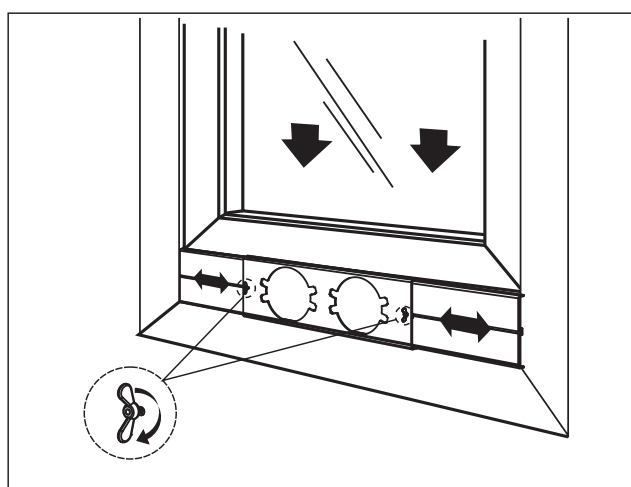


C

A

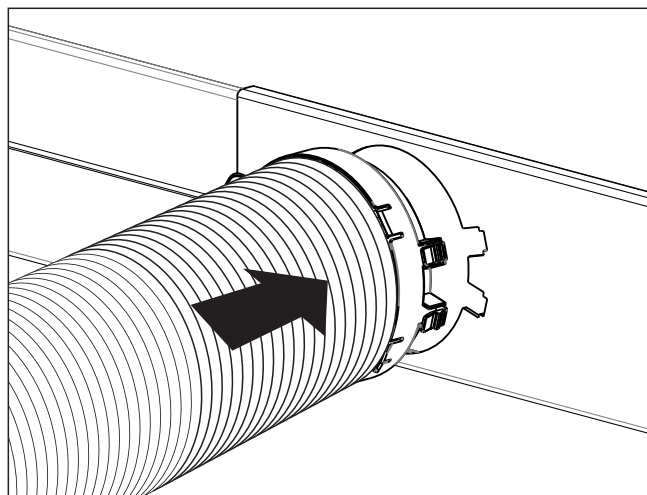
B

2. Ouvrir la fenêtre et placer les panneaux de fenêtre dans la fenêtre. Ajuster les panneaux de rallonge pour les adapter à la largeur ou la hauteur de la fenêtre au moyen des jeux de vis et d'écrous montés sur le panneau principal A.



ÉTAPE 4 - FIXATION DU TUYAU D'ÉVACUATION SUR L'EMBOUCHURE D'ÉVACUATION

1. Insérer l'autre extrémité du tuyau d'évacuation (avec le raccord de tuyau no 3) sur le support de fenêtre.



ÉTAPE 5 - FIN DE L'INSTALLATION

⚠ AVERTISSEMENT

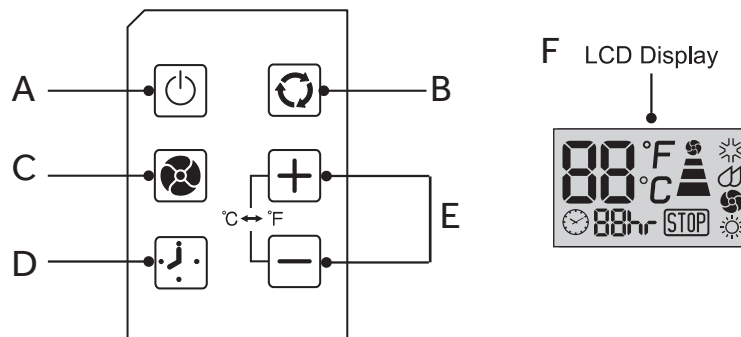


Risque de choc électrique

- Brancher sur une prise à 3 alvéoles reliée à la terre.
- Ne pas enlever la broche de liaison à la terre du cordon d'alimentation.
- Ne pas utiliser un adaptateur.
- Ne pas utiliser un câble de rallonge.
- Le non-respect de cette instruction pourrait causer un décès, un incendie ou un choc électrique.

1. Brancher le cordon d'alimentation dans une prise à 3 alvéoles reliée à la terre.
2. Appuyer sur le bouton Reset (réinitialisation) sur le cordon d'alimentation pour s'assurer que la prise de sécurité alimente le climatiseur.

TABLEAU DE COMMANDE



BOUTONS

A Mise en marche/arrêt (ON/OFF)

B. Mode

Appuyer sur le bouton mode pour choisir le réglage désiré.

Refroidissement : Un signe apparaît sur l'afficheur ACL en mode refroidissement.

Déshumidification: Un signe apparaît sur l'afficheur ACL en mode déshumidification.

Ventilateur: Un signe apparaît sur l'afficheur ACL en mode ventilateur.

Chaleur : Un signe apparaît sur l'afficheur ACL en mode chaleur.

C. Vitesse de ventilateur

On peut choisir trois vitesses dans les modes refroidissement et ventilateur : Low (basse), Medium (moyenne) et High (élevée). En mode déshumidification, et si la température de la pièce est supérieure à 77° F, on peut régler la vitesse du ventilateur; autrement, la vitesse est fixée à Low (basse).

D. Minuterie de mise en marche/arrêt

Pour régler un délai de minuterie de 1 à 24 heure avant la mise en arrêt du climatiseur :

1. Lorsque l'appareil fonctionne, on peut utiliser le bouton de réglage de la minuterie pour prérégler un délai de mise en arrêt de l'appareil.
2. Lorsque l'appareil est en mode veille, on peut utiliser le bouton de réglage de la minuterie pour régler un délai de mise en marche de l'appareil.
3. Si l'on appuie sur le bouton ON/OFF (marche/arrêt), la fonction de prérégler de la minuterie sera annulée.
4. La plage de réglage de la minuterie s'étend de 1 à 24 heures.

Pour effacer la programmation du délai de minuterie :

REMARQUE : Le climatiseur peut être en arrêt ou en marche.

1. Appuyer sur le bouton Timer (minuterie).
2. Maintenir une pression sur le bouton « moins » jusqu'à l'effacement de l'affichage de minuterie.

Pour changer le délai restant (en heures) :

1. Appuyer sur le bouton Timer (minuterie).
2. Appuyer sur le bouton « plus » ou « moins » pour changer le délai de 1 à 24 heures.

E. Réglage de la température

Pour régler la température, appuyer sur la touche « + » ou « - » pour augmenter ou diminuer la température. On peut augmenter ou diminuer la température en mode refroidissement. On ne peut pas régler la température en mode ventilateur ou déshumidification. Appuyer simultanément sur 5 et 6 pour basculer entre °F et °C.

REMARQUE : On peut régler la température entre 60° F et 89° F (mode refroidissement) et entre 61° F et 80° F (mode chaleur).


F. Afficheur ACL

L'allumage du témoin STOP signale que le réservoir d'eau intérieur est rempli d'eau de condensation et que le climatiseur s'arrêtera automatiquement. Voir la section « Entretien du climatiseur portatif » pour des instructions sur la vidange du climatiseur.

TÉLÉCOMMANDE


1. Mise en marche/arrêt (ON/OFF)

2. Mode

Refroidissement:  Un signe apparaît sur l'afficheur ACL en mode refroidissement..

Déshumidification:  Un signe apparaît sur l'afficheur ACL en mode déshumidification.

Ventilateur:  Un signe apparaît sur l'afficheur ACL en mode ventilateur.

Chaleur :  Un signe apparaît sur l'afficheur ACL en mode chaleur.

3. Vitesses de ventilateur

On peut choisir trois vitesses dans les modes refroidissement et ventilateur : Low (basse), Medium (moyenne) et High (élevée). En mode déshumidification, et si la température de la pièce est supérieure à 77° F, on peut régler la vitesse du ventilateur; autrement, la vitesse est fixée à Low (basse).

4. Minuterie de mise en marche/arrêt

Pour régler un délai de minuterie de 1 à 24 heure avant la mise en arrêt du climatiseur :

1. Lorsque l'appareil fonctionne, on peut utiliser le bouton de réglage de la minuterie pour prérégler un délai de mise en arrêt de l'appareil.
2. Lorsque l'appareil est en mode veille, on peut utiliser le bouton de réglage de la minuterie pour régler un délai de mise en marche de l'appareil.
3. Si l'on appuie sur le bouton ON/OFF (marche/arrêt), la fonction de préréglage de la minuterie sera annulée.
4. La plage de réglage de la minuterie s'étend de 1 à 24 heures.

Pour effacer la programmation du délai de minuterie :

NOTA: Le climatiseur peut être en arrêt ou en marche.

1. Appuyer sur le bouton Timer (minuterie).
2. Maintenir une pression sur le bouton « moins » jusqu'à l'effacement de l'affichage de minuterie.

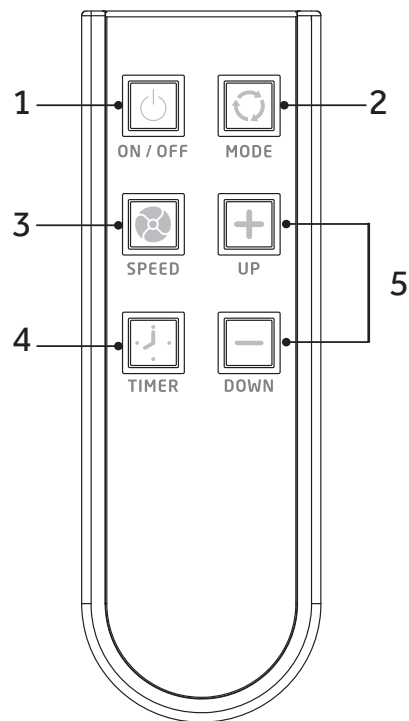
Pour changer le délai restant (en heures)

1. Appuyer sur le bouton Timer (minuterie).
2. Appuyer sur le bouton « plus » ou « moins » pour changer le délai de 1 à 24 heures.
3. Le nouveau délai s'affichera.

5. Réglage de la température

Pour régler la température, appuyer sur la touche « + » ou « - » pour augmenter ou diminuer la température. On peut augmenter ou diminuer la température en mode refroidissement. On ne peut pas régler la température en mode ventilateur ou déshumidification.

On peut régler la température entre 61° F et 89° F (mode refroidissement) et entre 61° F et 80° F (mode chaleur).



UTILISATION DU CLIMATISEUR

IMPORTANT : Si le climatiseur a été incliné sur le côté, patienter 24 heures avant de le remettre en marche pour laisser le temps à l'huile de rejoindre le compresseur. Cela évitera au climatiseur de tomber en panne prématurément.

- Laisser un dégagement de 20" (51 cm) autour de l'appareil pour permettre à l'air de circuler correctement.
- Ne Pas faire fonctionner le climatiseur si les filtres à air ne sont pas en place.
- Ne pas renverser de liquide sur le tableau de commande; cela pourrait provoquer un court-circuit électrique vers les composants électroniques intérieurs et entraîner leur désactivation ou leur dysfonctionnement.
- Lorsque l'on allume le climatiseur pour la première fois après l'avoir branché sur une prise électrique, l'appareil démarre en mode de refroidissement réglé sur 75 °F (24 °C), et sur une vitesse de ventilateur élevée. Le tableau de commande affiche la température actuelle de la pièce.
- Lorsque l'appareil est rallumé, les réglages précédemment utilisés sont mémorisés.
- Après avoir éteint l'appareil selon la procédure normale, attendre 3 minutes avant de redémarrer l'appareil.
- En mode de refroidissement, il n'est pas nécessaire de retirer de l'eau de l'appareil. Ce modèle unique a été conçu de manière à évaporer l'eau de façon continue.
- Lorsque l'appareil fonctionne dans un environnement très humide, il peut être nécessaire de vider le réservoir d'eau régulièrement.
- L'appareil s'éteint automatiquement lorsque le réservoir d'eau est plein. À ce moment-là, le témoin Water Full (réservoir d'eau plein) s'allume pour vous avertir.

ENTRETIEN DU CLIMATISEUR

⚠ AVERTISSEMENT



Risque de choc électrique

Déconnecter la source de courant électrique avant le nettoyage.

Le non-respect de cette instruction peut causer un décès ou un choc électrique.

NETTOYAGE

1. Débrancher ou déconnecter la source de courant électrique.
2. Nettoyer la caisse avec un chiffon doux humidifié à l'eau uniquement.

REMARQUE :

• Ne pas utiliser de nettoyant liquide ou en aérosol pour nettoyer le climatiseur.

• NE PAS utiliser de produits chimiques, de produits abrasifs, d'ammoniaque, d'agent de blanchiment, de détergents concentrés, de solvants ou de tampons à recurer. Certains de ces produits chimiques/articles peuvent endommager et/ou décolorer le climatiseur.

3. Sécher soigneusement avec un chiffon doux.
4. Brancher l'appareil ou reconnecter la source de courant électrique.

FILTRES À AIR

Les filtres à air doivent être nettoyés au minimum une fois par semaine pour que l'appareil fonctionne à un niveau d'efficacité optimal.

IMPORTANT : Ne Pas faire fonctionner le climatiseur si les filtres à air ne sont pas en place.

1. Débrancher ou déconnecter la source de courant électrique.

2. Tirer sur les pattes pour faire coulisser les filtres et les dégager de l'arrière du climatiseur.

REMARQUE : Les filtres secondaires sont accessibles une fois que les filtres principaux ont été retirés.

3. Éliminer la poussière en lavant les filtres ou à l'aide d'un aspirateur.

REMARQUE : Si les filtres sont lavés, les secouer doucement pour éliminer le surplus d'eau et de particules de poussière piégées dans le filtre.

4. Réinstaller les filtres.
5. Brancher l'appareil ou reconnecter la source de courant électrique.

RÉSERVOIR D'EAU INTERNE

Le témoin Water Full (réservoir d'eau plein) s'allume lorsque le réservoir d'eau interne est rempli d'eau de condensation.

Vidage du réservoir d'eau interne :

1. Débrancher ou déconnecter la source de courant électrique.
2. Placer un récipient creux d'une capacité minimale de 1 pinte (non inclus) sous l'orgie de vidange inférieur situé à l'arrière du climatiseur (près du fond).
3. Retirer le capuchon et le bouchon en caoutchouc et vider le réservoir d'eau.
4. Réinstaller le bouchon de vidange et visser solidement le capuchon.
5. Brancher l'appareil ou reconnecter la source de courant électrique.

RANGEMENT

Lors de longues périodes infantilisation de l'appareil :

1. Débrancher ou déconnecter la source de courant électrique.
2. Vidanger l'eau du réservoir d'eau. Voir "Entretien du climatiseur".
3. Mettre l'appareil dans son emballage d'origine pour éviter une accumulation de poussière ou de saleté.
4. Entreposer le climatiseur dans un endroit frais et sec.

DÉPANNAGE

Essayez tout d'abord les solutions suggérées ici et évitez les coûts pour le service de réparation.

PROBLÈME	CAUSE(S) POSSIBLE(S)	SOLUTION
L'appareil ne se met pas en marche ou ne fonctionne pas	Le cordon d'alimentation n'est pas raccordé à une prise murale.	Brancher le cordon d'alimentation dans une prise à 3 alvéoles reliée à la terre.
	Quelqu'un a trébuché sur le cordon d'alimentation.	Appuyer et relâcher le bouton RESET (réinitialisation) sur le cordon d'alimentation.
	Le bouton de mise sous tension Power n'a pas été enfoncé.	Appuyer sur le bouton de mise sous tension sur le tableau de commande ou la télécommande pour ALLUMER le climatiseur.
	La prise électrique n'est pas alimentée.	Brancher une lampe en état de marche sur la prise pour vérifier si celle-ci est alimentée.
	Un fusible est grillé ou un disjoncteur s'est déclenché.	Remplacer le fusible ou réenclencher le disjoncteur.
	La commande a été programmée pour un e mise en marche différée.	Annuler la mise en marche différée. Voir "Tableau de commande".
	Les piles de la télécommande sont épuisées.	Remplacer les piles.
	Le réservoir d'eau interne est plein. REMARQUE : Le climatiseur s'éteint automatiquement et le témoin de réservoir d'eau plein s'allume pour vous avertir.	Vider le réservoir d'eau. Voir "Entretien du climatiseur".
La télécommande ne fonctionne pas.	Les piles sont usées.	Remplacer les piles.
	Les piles n'ont pas été insérées correctement.	Vérifier que les piles sont insérées dans le bon sens.
Le climatiseur fonctionne mais la pièce ne refroidit pas.	La température de la pièce est élevée. REMARQUE : Durant les journées très chaudes et humides, le climatiseur met plus longtemps à refroidir la pièce.	Lors d'une première utilisation, le refroidissement de la pièce prend plus de temps. S'assurer que le débit thermique du climatiseur est approprié aux dimensions de la pièce à refroidir.
	La commande a été incorrectement réglée sur le mode Fan (ventilateur) ou Dehum (déshumidifier).	Régler l'appareil en mode Cool (refroidissement) et la vitesse du ventilateur sur High (élevée).
	Le débit d'air est obstrué.	Dégager tout obstacle obstruant le débit d'air et rediriger le débit d'air pour un refroidissement homogène.
	La température a été réglée à un niveau trop élevé.	Diminuer le réglage de la température.
	Les filtres à air sont sales ou obstrués.	Nettoyer le filtre à air. Voir "Entretien du climatiseur".
	Le climatiseur a été incorrectement installé.	Vérifier si le tuyau d'évacuation et le panneau de fenêtre ont été correctement installés.
	Les portes et les fenêtres sont ouvertes.	Fermer les portes et les fenêtres de la pièce à refroidir pour éviter que l'air froid ne s'échappe.

POUR OBTENIR DE L'AIDE SUPPLÉMENTAIRE, VISITER HAIERAMERICA.COM OU CONTACTER LA LIGNE D'ASSISTANCE À LA CLIENTÈLE AU 1-877-337-3639.

GARANTIE LIMITÉE

Pendant cette période :	GE effectuera :
Un an à partir de la date d'achat d'origine	Le remplacement, la réparation ou le remboursement du prix de détail d'origine de tout produit dont la défaillance est causée par une vice de matière ou de fabrication. Si l'appareil fait l'objet d'un remplacement, l'appareil de substitution est couvert pendant la période restante de la garantie d'origine d'un an de votre produit. GE Appliances procédera, à sa discrétion, au remplacement du produit par un autre d'une fonctionnalité et d'une qualité identique ou comparable, ou au remboursement du prix de détail d'origine.

Pour effectuer une réclamation sous garantie pendant les premiers 90 jours à partir de la date d'achat initiale :

- Emballer le produit correctement. Nous recommandons l'utilisation de la boîte et du matériel d'emballage d'origine.
- Inclure dans l'emballage une copie du reçu de caisse ou une autre preuve de la date d'achat initial. Imprimer aussi votre nom et votre adresse ainsi qu'une description de la défectuosité.
- Retourner le produit au point de vente de détail où il a été acheté.

Pour effectuer une réclamation sous garantie pendant la période restante de la garantie d'un an :

- Rechercher votre reçu de caisse d'origine et prendre note des numéros de modèle et de série.
- Veiller à retourner tout le matériel requis (port payé) dans la boîte d'emballage fournie. Ne pas oublier d'inclure une description de la défectuosité.
- Composer le 1.877.337.3639 (aux États-Unis) pour démarrer la procédure de remplacement du produit. Au Canada, composer le 1.877.470.9174.
- Votre produit de remplacement ou votre remboursement devrait vous parvenir dans un délai de 7 à 10 jours ouvrables après réception de votre emballage d'expédition.
- On vous demandera de fournir votre nom, votre adresse, la date d'achat et les numéros de modèle et de série.
- GE Appliances s'occupera de faire livrer une boîte d'emballage à votre domicile pour récupérer le produit.

Ce qui n'est pas couvert :

- Les instructions au client. Ce manuel d'utilisation contient des renseignements sur l'utilisation et les commandes de l'appareil.
- Le remplacement des fusibles du domicile ou le réarmement des disjoncteurs.
- Une installation incorrecte. En cas de problème d'installation, ou si la capacité du climatiseur est incorrecte, communiquer avec votre revendeur ou votre installateur. Il est de votre responsabilité de procurer un équipement électrique de branchement adéquat.
- Une défectuosité causée par le corrosion sur les modèles qui ne sont pas protégés contre celle-ci.
- Une défectuosité du produit résultant d'une modification du produit ou d'une utilisation déraisonnable, y compris de l'omission d'effectuer un entretien raisonnable et nécessaire.
- Tout dommage occasionné par une tension d'alimentation inappropriée, un accident, un incendie, une inondation ou d'autres catastrophes naturelles.
- Les dommages accessoires ou indirects causés par d'éventuels défectuosités de ce climatiseur.
- Les dommages survenus après la livraison.

EXCLUSION DES GARANTIES IMPLICITES – Votre seul et unique recours consiste dans la réparation du produit tel que stipulé dans la présente garantie limitée. Toute garantie implicite, y compris les garanties implicites relatives à la qualité marchande ou à l'adéquation à un usage particulier, se limitera à une période d'un an ou à la période la plus courte prescrite par la loi.

Clients des États-Unis Cette garantie est offerte à l'acheteur initial et à tout propriétaire subséquent d'un produit acheté aux États-Unis à des fins d'usage domestique. Si le produit est situé dans une localité où un réparateur autorisé GE Appliances n'est pas disponible, vous pourriez encourir des frais de déplacement ou devoir acheminer le produit à un réparateur autorisé GE Appliances pour faire réparer l'appareil. En Alaska, cette garantie exclut les frais d'expédition et les visites de service à votre domicile.

Certains États ou provinces ne permettent pas l'exclusion ou la restriction des dommages accessoires ou indirects. Certains droits particuliers vous sont dévolus en vertu de la présente garantie et peuvent s'accompagner d'autres droits qui varient selon votre lieu de résidence. Pour connaître la nature exacte de vos droits, consultez l'organisme de protection du consommateur de votre région, ou encore le bureau du procureur général de l'État.

Garant, Nous :

GE Appliances, a Haier company

ÍNDICE

SEGURIDAD DEL ACONDICIONADOR DE AIRE	25
PIEZAS Y CARACTERÍSTICAS	26
REQUISITOS DE INSTALACIÓN	27
Herramientas y piezas	27
Requisitos de ubicación	27
Requisitos eléctricos	27
INSTRUCCIONES DE INSTALACIÓN	28
Paso 1 - Desempaque su acondicionador de aire	28
Paso 2 - Instalar del extractor	28
Paso 3 - Instalar los paneles de ventana	28
Paso 4 - Adhiera la manguera del extractor a la boca del extractor	29
Paso 5 - Complete la instalación	29
PANEL DE CONTROL	30
Botones	30
Control remoto	30
Luces indicadoras	31
USO DEL ACONDICIONADOR DE AIRE	32
CUIDADO DEL ACONDICIONADOR DE AIRE	32
Limpieza	32
Filtros de aire	32
Tanque de agua interno	32
Almacenamiento	32
SOLUCIÓN DE PROBLEMAS	33
GARANTÍA LIMITADA	35
INFORMACIÓN A TENER EN CUENTA	24

INFORMACIÓN A TENER EN CUENTA

Le agradecemos la compra de este producto de marca Haier. Este manual para el usuario le ayudará a obtener el mejor funcionamiento de su nueva acondicionador de aire.

Para referencia futura, anote el modelo y número de serie en la etiqueta en el lado de su acondicionador de aire, y la fecha de compra.

Engrape la prueba de compra a este manual para asistirle cuando necesite obtener servicio bajo la garantía.

Número de modelo

Número de serie

Fecha de compra

SEGURIDAD DEL ACONDICIONADOR DE AIRE

Su seguridad y la seguridad de los demás es muy importante.

Hemos incluido muchos mensajes importantes de seguridad en este manual y en su electrodoméstico. Lea y obedezca siempre todos los mensajes de seguridad.



Este es el símbolo de advertencia de seguridad.

Este símbolo le llama la atención sobre peligros potenciales que pueden ocasionar la muerte o una lesión a usted y a los demás. Todos los mensajes de seguridad irán a continuación del símbolo de advertencia de seguridad y de la palabra "PELIGRO", "ADVERTENCIA" o "PRECAUCIÓN".

Estas palabras significan:

▲ PELIGRO

Se trata de una situación de peligro inminente. Si no sigue las instrucciones de inmediato, usted puede morir o sufrir una lesión grave.

▲ ADVERTENCIA

Se trata de una situación posiblemente peligrosa que, de no evitarse, podría causar la muerte o una lesión grave.

▲ PRECAUCIÓN

Se trata de una situación posiblemente peligrosa que, de no evitarse, podría causar lesiones moderadas o leves.

Todos los mensajes de seguridad le dirán el peligro potencial, le dirán cómo reducir las posibilidades de sufrir una lesión y lo que puede suceder si no se siguen las instrucciones.

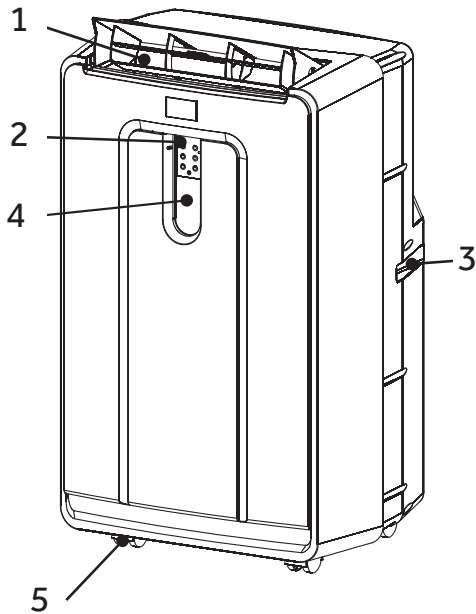
INSTRUCCIONES IMPORTANTES DE SEGURIDAD

ADVERTENCIA: Para reducir el riesgo de incendio, choque eléctrico, lesiones a personas o daños al utilizar el acondicionador de aire, siga precauciones básicas, incluyendo las siguientes:

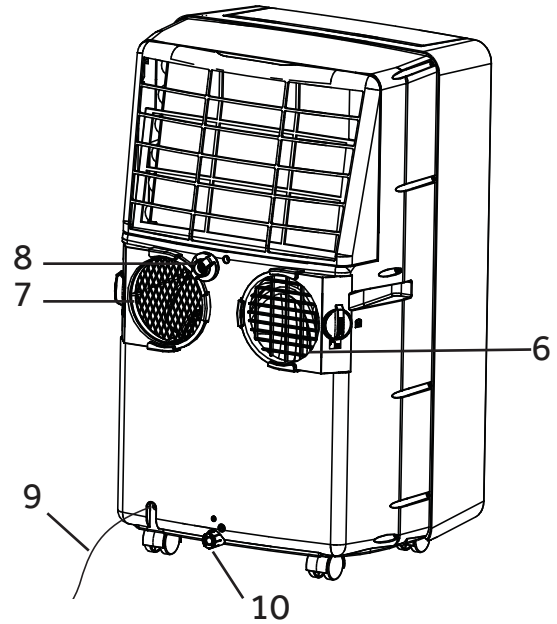
- Lea todas las instrucciones antes de usar este electrodoméstico.
 - Conecte a un contacto de pared de conexión a tierra de 3 terminales.
 - No quite el terminal de conexión a tierra.
 - No use un adaptador.
 - No use un cable eléctrico de extensión.
 - No ponga a funcionar el acondicionador de aire si tiene un cable o enchufe dañado, si no funciona correctamente o si se ha dañado o caído.
 - El acondicionador de aire solo debe ser reparado por personal de servicio competente. Llame a la compañía de servicio técnico autorizada para su inspección, reparación o ajuste.
 - Desconecte el suministro de energía antes de darle servicio técnico.
 - Desconecte el suministro de energía antes de limpiarlo.
- NOTA:** Si apaga la unidad presionando el botón Power (Encendido), esto NO desconecta el electrodoméstico del suministro de energía.
- No instale ni utilice el acondicionador de aire en áreas donde la atmósfera contenga gases combustibles o donde la atmósfera esté contaminada. Evite que cualquier producto químico entre en contacto con el acondicionador de aire.
 - No almacene nada directamente encima del acondicionador de aire.
 - Con la ayuda de dos o más personas, mueva e instale el acondicionador de aire.
 - Nunca haga funcionar el acondicionador de aire si los filtros de aire no están colocados en su lugar.
 - No utilice el acondicionado de aire cerca de una tina, ducha o lavabo ni otra zona húmeda.

LEA Y GUARDE ESTAS INSTRUCCIONES

PIEZAS Y CARACTERÍSTICAS



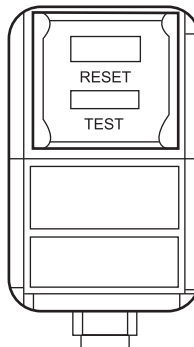
- 1. Salida de Aire
- 2. Panel de Control
- 3. Manija
- 4. Base del Control Remoto
- 5. Rueditas



- 6. Entrada de Aire
- 7. Salida de Aire
- 8. Drenaje Superior
- 9. Cable de Corriente
- 10. Drenaje Inferior

NOTA: Por favor asegúrese de que el drenaje de la salida de agua se encuentre bien instalado antes de su uso.

Cable de Corriente



PRUEBA: Cuando este botón sea presionado o cuando haya una pérdida de corriente, la unidad no funcionará.

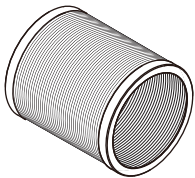
REINICIO: Luego de resolver el problema, presione el botón de reanudar para reiniciar el funcionamiento.

REQUISITOS DE INSTALACIÓN

HERRAMIENTAS Y PIEZAS

Reúna las herramientas y piezas requeridas antes de comenzar con la instalación.

PIEZAS PROVISTAS



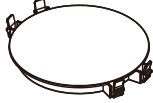
Manguera del Extractor (2)



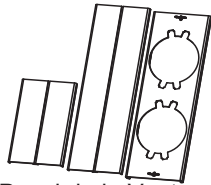
Conector de la Manguera (2)



Conector de la Manguera (2)



Tapa #5 (2)



Panel de la Ventana y Panel de Ampliación (3)

REQUISITOS DE UBICACIÓN

- Coloque el acondicionador de aire sobre una superficie plana y nivelada en una ubicación que esté al menos a 20" (51 cm) de la pared.

NOTA: La distancia recomendada de la ventana para un rendimiento óptimo es de 31.5 pulgadas.

- Mantenga un espacio libre mínimo de 20" (51 cm) alrededor del acondicionador de aire para no bloquear el flujo de aire.
- Mantenga el acondicionador de aire libre de obstrucciones como cortinas con pliegues, cortinas, persianas, etc.
- La manguera de escape debe estar libre de cualquier obstrucción.
- No coloque el acondicionador de aire en una superficie inestable o elevada, ya que podría caerse y provocar daños o lesiones.
- No exponga el acondicionador de aire a la luz directa del sol o cerca una fuente de calor como zócalos radiantes, estufas, etc.
- El panel de la ventana puede instalarse en una ventana con una abertura mínima de 20" (51 cm) hasta un máximo de 46" (117 cm).

REQUISITOS ELÉCTRICOS

⚠ ADVERTENCIA



Peligro de Choque Eléctrico

Conecte a un contacto de pared de conexión a tierra de 3 terminales.

No quite el terminal de conexión a tierra del cable de alimentación.

No use un adaptador.

No use un cable eléctrico de extensión.

No seguir estas instrucciones puede ocasionar la muerte, incendio o choque eléctrico.

CABLE DE SUMINISTRO DE ENERGÍA

Requisitos de cableado

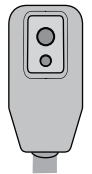
- Tomacorriente de 3 terminales con conexión a tierra de 115 voltios, 60 Hz, con fusibles de 15 amperios
- Se recomienda utilizar un fusible o un cortacircuitos retardador.
- Utilice solamente un circuito exclusivo.

NOTA: No utilice ningún otro electrodoméstico en este circuito; de lo contrario, se puede disparar el cortacircuitos/fusible.

Si el cable de suministro de energía está dañado, no se puede reparar. Debe reemplazarse con un cable del fabricante del producto. Si el cable de suministro de energía está dañado, llame al Servicio al cliente de Haier: 1-877-337-3639.

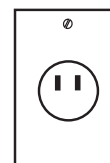
Para probar el cable de suministro de energía antes de usarlo:

1. Conecte el cable eléctrico a un tomacorriente de 3 terminales con conexión a tierra.
2. Presione el botón Test (Prueba) y, a continuación, presione y suelte el botón Reset (Restablecer) para restaurar la energía.



MÉTODO DE CONEXIÓN A TIERRA REQUERIDO

Este acondicionador de aire debe estar conectado a tierra. El acondicionador de aire está equipado con un cable de suministro de energía que tiene un enchufe de tres terminales con conexión a tierra. El cable de suministro de energía deberá enchufarse en un tomacorriente apropiado de 3 terminales, conectado a tierra de acuerdo con todos los códigos y ordenanzas locales.



115 voltios
15 amperios

INSTRUCCIONES DE INSTALACIÓN

PASO 1 - DESEMPAQUE SU ACONDICIONADOR DE AIRE

⚠ ADVERTENCIA

Peligro de Peso Excesivo

Use dos o más personas para mover e instalar el acondicionador de aire.

No seguir esta instrucción puede ocasionar una lesión en la espalda u otro tipo de lesiones.

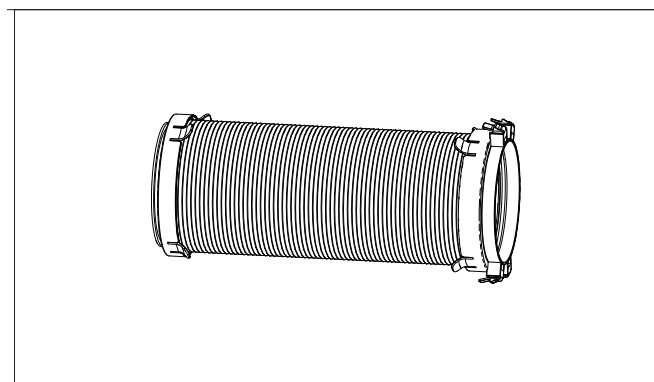
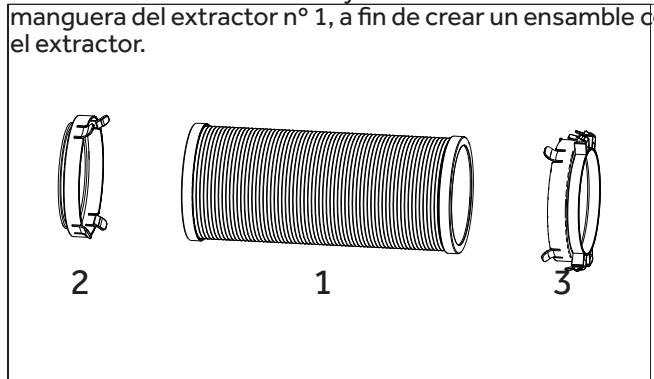
- Quite los materiales de empaque. Guarde la caja y el empaque de espuma para almacenar el acondicionador de aire cuando no esté en uso.

NOTA: NO hay materiales de empaque internos dentro del acondicionador de aire para quitar. No abra el gabinete.

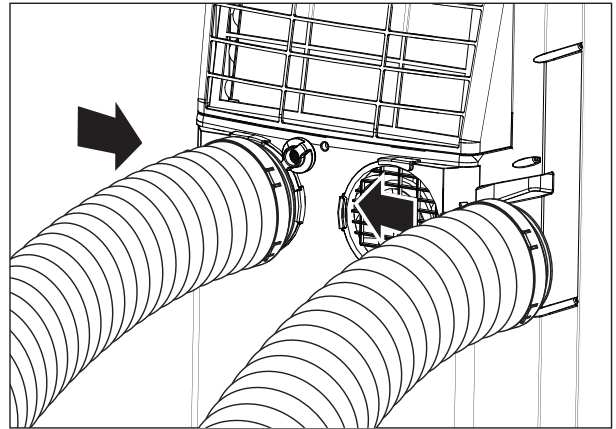
- Deshágase adecuadamente de todos los materiales de empaque o recíclelos.
- Manipule el acondicionador de aire con cuidado.
- Mantenga el acondicionador de aire en posición vertical y nivelado. No coloque el acondicionador de aire de costado, sobre su parte frontal, su parte posterior o al revés.

PASO 2 - INSTALACIÓN DEL EXTRACTOR

1. Conecte los conectores n° 2 y n° 3 sobre los dos lados de la manguera del extractor n° 1, a fin de crear un ensamble con el extractor.

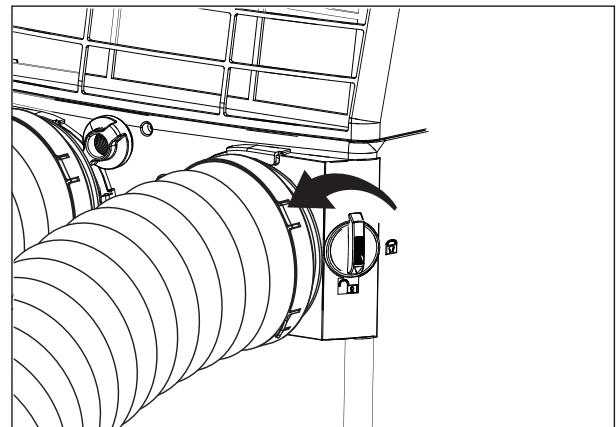


2. Deslice un extremo del ensamble de la manguera (con el conector de manguera n° 2) al panel trasero.



Luego gire la perilla para ajustar el ensamble de la manguera de manera firme.

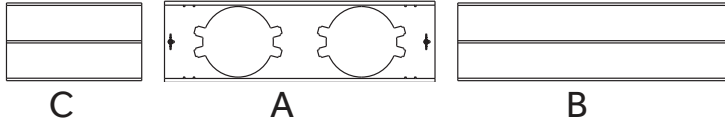
NOTA: La manguera de diámetro más pequeño deberá ser deslizada desde la derecha del panel trasero, y la de diámetro grande desde el lado izquierdo.



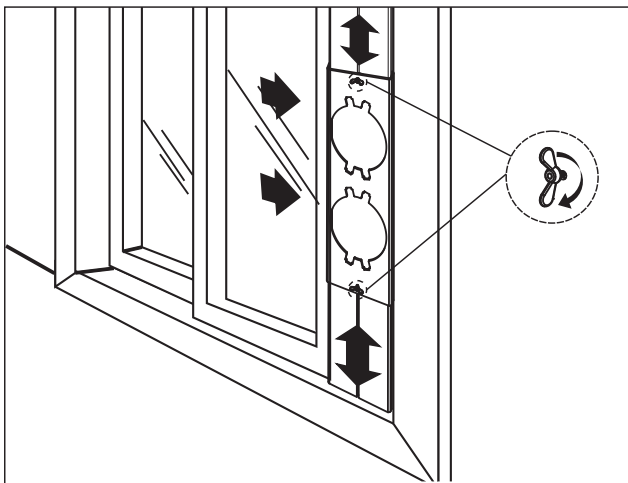
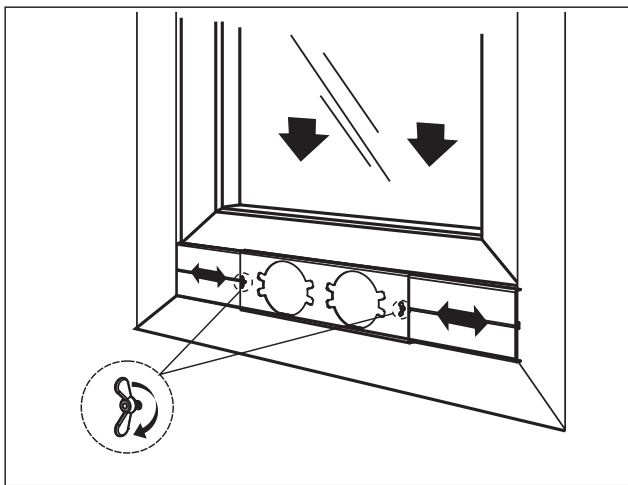
INSTRUCCIONES DE INSTALACIÓN

PASO 3 – INSTALE LOS PANELES DE VENTANA

1. Inserte los paneles de ventana B y C en cada extremo del panel principal A. Haga ajustes para hacer coincidir la extensión de la ventana.

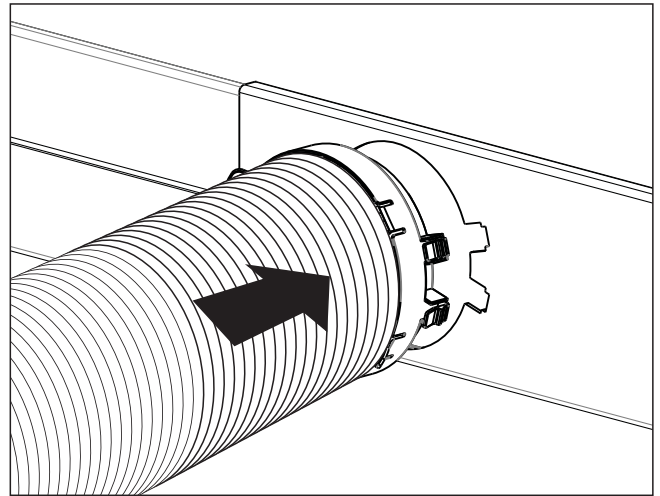


2. Abra la ventana y coloque los paneles de ventana en la ventana. Ajuste los paneles de ventana para que coincidan con el ancho y alto de la ventana con el conjunto de tornillos y tuercas montados en el panel principal A.



PASO 4 - ADHIERA LA MANGUERA DEL EXTRACTOR A LA BOCA DEL EXTRACTOR

1. Inserte el otro extremo del ensamble de la manguera del extractor (con el conector de manguera n° 3) en el soporte de la ventana.



PASO 5 - COMPLETE LA INSTALACIÓN

⚠ ADVERTENCIA



Peligro de Choque Eléctrico

Conecte a un contacto de pared de conexión a tierra de 3 terminales.

No quite el terminal de conexión a tierra del cable de alimentación.

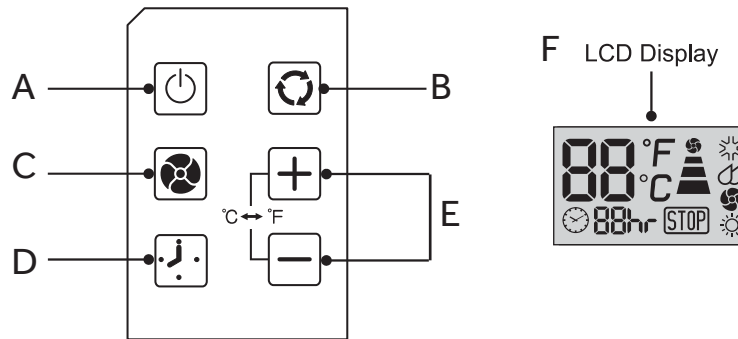
No use un adaptador.

No use un cable eléctrico de extensión.

No seguir estas instrucciones puede ocasionar la muerte, incendio o choque eléctrico.

1. Conecte el cable eléctrico a un toma corriente de 3 terminales con conexión a tierra.
2. Presione el botón Reset (Restablecer) en el cable eléctrico para asegurar que el tapón de seguridad está proporcionando energía al acondicionador de aire.

PANEL DE CONTROL



BOTONES

A Interruptor Encendido/ Apagado

B. Modo

Presione el botón de modo para acceder a la configuración deseada.

Frío: El signo – aparece en la pantalla de LCD cuando se está en el modo de refrigeración.

Deshumidificación: El signo – aparece en la pantalla de LCD cuando se está en el modo de deshumidificación.

Ventilador El signo – aparece en la pantalla de LCD cuando se está en el modo de ventilación.

Calor: El signo – aparece en la pantalla de LCD cuando se está en el modo de calefacción.

C. Velocidad del Ventilador

Los modos de refrigeración y ventilación cuentan con 3 velocidades ajustables. Low (Baja), Medium (Media) y High (Alta). En el modo de deshumidificación, y cuando la temperatura del ambiente sea superior a los 77° F la velocidad del ventilador podrá ser ajustada; de otra forma, la velocidad del ventilador será configurada en velocidad "baja".

D. Temporizador de Encendido/ Apagado

Para configurar el temporizador con un retraso de entre 1 y 24 horas, hasta que el acondicionador de aire se apague:

1. Al usar el botón de configuración mientras la unidad está en funcionamiento, usted puede realizar una configuración previa de un tiempo para que la unidad se apague.
2. Al usar el botón de configuración del temporizador mientras la unidad está en el modo de descanso, usted puede presentar un tiempo para que la unidad se encienda.
3. Si presiona el botón "ON/OFF" (Encendido/ Apagado), la función configurada previamente del temporizador será cancelada.
4. El rango de configuración del temporizador es de entre 1 y 24 horas.

Para borrar el programa de Timer Delay (Retraso del Temporizador):

NOTA: El acondicionador de aire podrá estar encendido o apagado.

1. Presione el botón Timer (Temporizador).
2. Mantenga presionado el botón menos hasta que la pantalla del temporizador haya sido borrada.

Para cambiar el tiempo restante (en horas):

1. Presione el botón Timer (Temporizador).
2. Presione el botón de más o menos para cambiar el tiempo de retraso entre 1 y 24 horas.

E. Configuración de la Temperatura

Para configurar la temperatura, presione las teclas + o - para subir o bajar la misma. La temperatura podrá ser elevada o bajada en el modo de refrigeración. La temperatura no podrá ser ajustada en los modos de ventilador o deshumidificación. Presione simultáneamente el 5 y el 6 para alternar entre °F y °C.

NOTA: La temperatura puede ser configurada entre 60° F y 89° F (modo de Refrigeración) y entre 61° F y 80° F (Modo de Calefacción).

F. Pantalla LCD


Cuando la luz indicadora STOP (Detener) se enciende, significa que el tanque de agua interno se llenó con agua condensada y el acondicionador de aire se apagará de forma automática. Consulte "Cuidado Portátil del Acondicionador de Aire" para acceder a instrucciones sobre cómo drenar el acondicionador de aire.

PANEL DE CONTROL


CONTROL REMOTO


1. Interruptor Encendido/ Apagado

2. Modo

Frío:  El signo – aparece en la pantalla de LCD cuando se está en refrigeración.

Deshumidificación:  El signo – aparece en la pantalla de LCD cuando se está en el modo de deshumidificación.

Ventilador:  El signo – aparece en la pantalla de LCD cuando se está en el modo de ventilación.

Calor:  El signo – aparece en la pantalla de LCD cuando se está en el modo de calefacción.

3. Velocidades del ventilador

Los modos de refrigeración y ventilación cuentan con 3 velocidades ajustables. Low (Baja), Medium (Media) y High (Alta). En el modo de deshumidificación, la temperatura del ambiente es superior a los 77° F y la velocidad del ventilador puede ser ajustada; de otra forma, el ventilador es configurado en velocidad "baja".

4. Temporizador de Encendido/ Apagado

Para configurar el temporizador con un retraso de entre 1 y 24 horas, hasta que el acondicionador de aire se apague:

1. Al usar el botón de configuración mientras la unidad está en funcionamiento, usted puede realizar una configuración previa de un tiempo para que la unidad se apague.
2. Al usar el botón de configuración mientras la unidad está en modo de descanso, usted puede realizar una configuración previa de un tiempo para que la unidad se encienda.
3. Si presiona el botón "ON/OFF" (Encendido/ Apagado), la función presente del temporizador será cancelada.
4. El rango de configuración del temporizador es de entre 1 y 24 horas.

Para borrar el programa de Timer Delay (Retraso del Temporizador):

NOTA: El acondicionador de aire podrá estar encendido o apagado.

1. Presione el botón Timer (Temporizador).
2. Mantenga presionado el botón menos hasta que la pantalla del temporizador haya sido borrada.

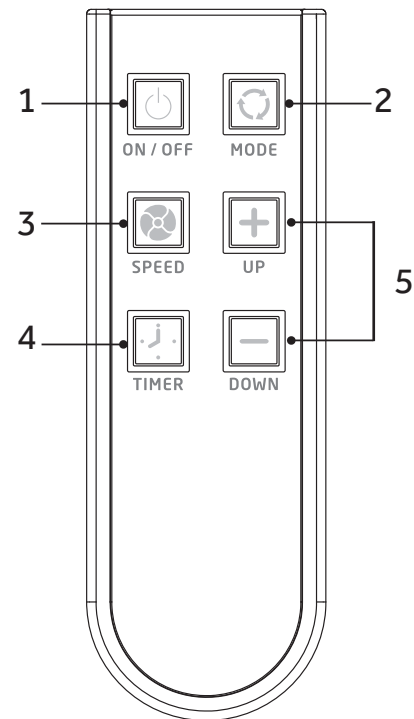
Para cambiar el tiempo restante (en horas):

1. Presione el botón Timer (Temporizador).
2. Presione el botón de más o menos para cambiar el tiempo de retraso entre 1 y 24 horas.
3. Será exhibido el nuevo tiempo de retraso.

5. Configuración de la Temperatura

Para configurar la temperatura, presione las teclas + o - para subir o bajar la temperatura. La temperatura podrá ser liberada o bajada en el modo de refrigeración. La temperatura no podrá ser ajustada en los modos de ventilación o deshumidificación.

NOTA: La temperatura puede ser configurada entre 61° F y 89° F (modo de Refrigeración) y entre 61° F y 80° F (Modo de Calefacción).



USO DEL ACONDICIONADOR DE AIRE

IMPORTANTE: Si el acondicionador de aire se ha inclinado hacia un lado, espere 24 horas antes de encender el acondicionador de aire a fin de permitir que el aceite vuelva al compresor. Esto evitará que el acondicionador de aire falle antes de tiempo.

- Deje 20" (51 cm) de espacio alrededor de la unidad para permitir una circulación adecuada de aire.
- No haga funcionar el acondicionador de aire si los filtros de aire no están colocados en su lugar.
- No derrame líquido en el panel de control; puede causar un cortocircuito a las piezas electrónicas del interior que lo desactivaría o haría que funcione incorrectamente.
- Al encender el acondicionador de aire por primera vez después de conectarlo a un toma corriente eléctrico, la unidad comenzará a funcionar en el modo Cooling (Enfriamiento) fijado en 75 °F (24 °C), y a la velocidad alta del ventilador. El panel de control mostrará la temperatura actual de la habitación.
- Al encender la unidad después de un uso anterior, recordará los últimos ajustes utilizados.
- Después de un apagado normal, espere 3 minutos antes de volver a poner en marcha la unidad.
- En el modo de enfriamiento, esta unidad no deberá requerir que se elimine el agua. Este modelo cuenta con un diseño único que evapora continuamente el agua.
- Cuando la unidad funciona en condiciones de alta humedad, es posible que usted tenga que vaciar periódicamente el tanque de agua.
- La unidad se apagará automáticamente cuando el tanque de agua esté lleno. El indicador Water Full (Máximo nivel de agua) se iluminará para avisarle acerca de esta condición.

CUIDADO DEL ACONDICIONADOR DE AIRE

⚠ ADVERTENCIA



Peligro de choque eléctrico

Desconecte el suministro de energía antes de limpiarlo.

No seguir esta instrucción puede ocasionar la muerte o choque eléctrico.

LIMPIEZA

1. Desenchufe o desconecte el suministro de energía.
2. Utilice solamente un paño suave humedecido con agua para limpiar el gabinete.

NOTA:

- No utilice un limpiador líquido o con rociador para limpiar el acondicionador de aire.
- NO utilice productos químicos, abrasivos, amoníaco, blanqueador con cloro, detergentes concentrados, solventes o estropajos de metal. Algunos de estos artículos/productos químicos pueden dañar y/o decolorar su acondicionador de aire.

3. Seque bien con un paño suave.
4. Enchufe o vuelva a conectar el suministro de energía.

FILTROS DE AIRE

Los filtros de aire deben limpiarse al menos una vez a la semana para que la unidad funcione con óptima eficacia.

IMPORTANTE: No haga funcionar el acondicionador de aire si los filtros de aire no están colocados en su lugar.

1. Desenchufe o desconecte el suministro de energía.
2. Jale de las lengüetas para deslizar los filtros de la parte posterior del acondicionador de aire.

NOTA: Los filtros secundarios son accesibles una vez que se quitan los filtros principales.

3. Lave o aspire el polvo de los filtros de aire.

NOTA: Si se lavan, agite suavemente el filtro para eliminar el exceso de agua y las partículas de polvo atrapadas en el filtro.

4. Vuelva a instalar los filtros.
5. Enchufe o vuelva a conectar el suministro de energía.

TANQUE DE AGUA INTERNO

El indicador Water Full (Máximo nivel de agua) se ilumina cuando el tanque de agua interno se llena de agua condensada.

Para vaciar el tanque de agua interno:

1. Desenchufe o desconecte el suministro de energía.
2. Coloque una bandeja profunda grande o de 1 cuarto de galón (no incluida) debajo del desagüe inferior situado en la parte posterior (cerca de la base) del acondicionador de aire.
3. Quite la tapa y el tapón de goma, y desagüe el tanque de agua.
4. Vuelva a colocar el tapón de desagüe y enrosque la tapa para que firme en su lugar.
5. Enchufe o vuelva a conectar el suministro de energía.

ALMACENAMIENTO

Si la unidad no se utiliza durante un período prolongado de tiempo:

1. Desenchufe o desconecte el suministro de energía.
2. Desagüe el agua del tanque de agua. Vea "Cuidado del acondicionador de aire".
3. Utilice el empaque original para volver a empacar la unidad y evitar acumulación de polvo o suciedad.
4. Guarde el acondicionador de aire en un lugar fresco y seco.

SOLUCIÓN DE PROBLEMAS

Pruebe las soluciones sugeridas aquí y posiblemente se evite el gasto de una visita de servicio técnico.

PROBLEMA	POSIBLE(S) CAUSA(S)	SOLUCIÓN
La unidad no se pone en marcha ni funciona	El cable de suministro de energía no está enchufado en un toma corriente.	Conecte el cable eléctrico a un toma corriente de 3 terminales con conexión a tierra.
	El cable de suministro de energía se ha disparado.	Presione y libere RESET (Restablecer) en el cable de suministro de energía.
	El botón Power (Encendido) no se ha presionado.	Presione el botón Power (Encendido) en el panel de control o el control remoto para ENCENDER el acondicionador de aire.
	El toma corriente eléctrico no recibe suministro eléctrico.	Enchufe una lámpara de trabajo en el toma corriente para verificar si hay energía.
	Se ha fundido un fusible de la casa o se ha disparado un cortacircuitos.	Reemplace el fusible o reposicione el cortacircuitos.
	El control fue programado para un tiempo diferido.	Cancele el tiempo diferido. Vea "Panel de control".
	Las pilas del control remoto están agotadas.	Reemplace las pilas.
	El tanque de agua interno está lleno. NOTA: El acondicionador de aire se apaga automáticamente y el indicador Water Full (Máximo nivel de agua) se ilumina para avisarle de este estado.	Vacíe el tanque de agua. Vea "Cuidado del acondicionador de aire".
El control remoto no funciona	Las pilas están agotadas.	Reemplace las pilas.
	Las pilas están insertadas de forma incorrecta.	Asegúrese de que las pilas se inserten en la posición correcta.
El acondicionador de aire está funcionando, pero la habitación no se enfría.	La temperatura de la habitación está caliente. NOTA: En días muy calurosos y húmedos, el acondicionador de aire necesitará más tiempo para enfriar la habitación.	Dé tiempo para que la habitación se enfríe cuando enciende la unidad por primera vez. Asegúrese de que el acondicionador de aire tenga una categoría de BTU (Unidad Térmica Británica) adecuada para el tamaño de la habitación que desea enfriar.
	El control se ha fijado incorrectamente en modo Fan (Ventilador) o Dry (Seco).	Fije el modo Cool (Enfriamiento) y la velocidad del ventilador en High (Alta).
	El flujo de aire ha disminuido.	Quite los obstáculos que bloquean el flujo de aire y redirija el flujo de aire para lograr un enfriamiento uniforme.
	La temperatura está fijada demasiado alta.	Baje la temperatura fijada.
	Los filtros de aire están sucios u obstruidos.	Limpie el filtro de aire. Vea "Cuidado del acondicionador de aire".
	El acondicionador de aire se ha instalado incorrectamente.	Verifique que la manguera de escape y el panel de la ventana estén correctamente instalados.
	Las puertas y las ventanas están abiertas.	Cierre las puertas y las ventanas de la habitación que desea enfriar para evitar que el aire enfriado se escape.

SI NECESITA MÁS AYUDA, VISITE HAIERAMERICA.COM O COMUNÍQUESE CON LA LÍNEA DE AYUDA AL CONSUMIDOR LLAMANDO AL 1-877-337-3639.

GARANTÍA LIMITADA

Por el Periodo de:	Reemplazaremos:
Un Año Desde la fecha de la compra original	Reemplazo, reparación o reembolso del costo minorista original de cualquier producto que falle debido a un defecto en los materiales o la fabricación. Si la unidad es cambiada, la unidad de reemplazo posee garantía por el resto del período de la garantía original de un año sobre su producto. GE Appliances reemplazará, a su exclusivo criterio, el producto por otro de la misma o de una funcionalidad y calidad comparable o hará un reembolso por el precio minorista original.

A Fin de Realizar una Reclamo sobre la Garantía Durante los Primeros 90 Días desde la Fecha Original de Compra:

- **Embale la unidad correctamente. Le recomendamos usar la caja de cartón y los materiales de embalaje originales.**
- **Entregue el producto en la ubicación del vendedor minorista donde fue adquirido.**
- **Incluya en el paquete una copia del receptor de la venta u otro comprobante de la fecha de compra original. También escriba su nombre y domicilio y una descripción del defecto.**

A Fin de Realizar un Reclamo sobre la Garantía Durante el Resto de la Garantía de un Año:

- **Ubique su recibo de venta original y haga una nota de su modelo y número de serie.**
- **Llame al 1.877.337.3639 (en Estados Unidos) para iniciar el proceso de reemplazo del producto.** En Canadá, llame al 1.877.470.9174.
- **Se solicitará su nombre, domicilio, fecha de compra, y números de modelo y serie.**
- **GE Appliances hará arreglos para que se envíe una caja de cartón a su hogar para recuperar el producto.**
- **Por favor entregue todos los materiales solicitados (envío postal prepago) en la caja de cartón provista. Por favor incluya una descripción del defecto.**
- **Debería recibir el producto de reemplazo o un reembolso entre los 7 y 10 días hábiles una vez que hayamos recibido su paquete.**

Qué No Será Cubierto:

- **Instrucción al cliente.** Este manual del propietario brinda información relacionada con instrucciones de funcionamiento y controles del usuario.
- **Instalación inadecuada.** Si tiene un problema de instalación o el acondicionador de aire no posee la capacidad adecuada, contacte a su vendedor minorista o instalador. Usted es responsable de brindar instalaciones de conexión eléctrica adecuadas.
- **Falla del producto como resultado de modificaciones sobre el mismo o debido a un uso irrazonable, incluyendo la falta de mantenimiento razonable o necesario.**
- **Reemplazo de fusibles del hogar o reinicio de disyuntores.**
- **Fallas como consecuencia de corrosión en modelos sin protección contra ésta.**
- **Daños ocasionados sobre el producto por nivel de suministro de voltaje inadecuado, accidente, incendio, inundaciones o catástrofes naturales.**
- **Daños consecuentes o incidentales causados por posibles defectos del acondicionador de aire.**
- **Daño causado después de la entrega.**

EXCLUSIÓN DE GARANTÍAS IMPLÍCITAS—Su única y exclusiva alternativa es la reparación del producto, como se indica en la Garantía Limitada. Las garantías implícitas, incluyendo garantías implícitas de comerciabilidad o conveniencia sobre un propósito particular, se limitan a un año o al período más corto permitido por la ley.

Para Clientes de EE.UU.: Esta garantía se extiende al comprador original y a cualquier dueño subsiguiente de productos comprados para uso hogareño dentro de EE.UU. Si el producto está en un área donde no se encuentra disponible un Proveedor Autorizado del Servicio Técnico de GE Appliances, usted será responsable por el costo de un viaje o se podrá requerir que traiga el producto a una ubicación del Servicio Técnico de GE Appliances Autorizado para recibir el servicio. En Alaska, la garantía excluye el costo de envío o llamadas del servicio técnico a su hogar.

Algunos estados no permiten la exclusión o limitación de daños fortuitos o consecuentes. Esta garantía le da derechos legales específicos y es posible que tenga otros derechos legales que varían entre un estado y otro. Para conocer cuáles son sus derechos legales, consulte a la oficina de asuntos del consumidor local o estatal o al Fiscal de su estado.

Garante en EE.UU:
GE Appliances, a Haier company

IMPORTANT

Do Not Return This Product To The Store

**If you have a problem with this product, please call 1-877-337-3639 for the name and telephone number of the nearest authorized service center.
DATED PROOF OF PURCHASE REQUIRED FOR WARRANTY SERVICE**

IMPORTANT

Ne pas Réexpédier ce Produit au Magasin

**En cas de problème avec ce produit, veuillez composer le 1-877-337-3639 pour connaître le nom et le numéro de téléphone du centre de service autorisé le plus proche.
PREUVE D'ACHAT DATÉE, NUMÉRO DE MODÈLE ET LE NUMÉRO DE SÉRIE REQUIS
POUR LE SERVICE DE GARANTIE**

IMPORTANTE

No regrese este producto a la tienda

**Si tiene un problema con este producto, por favor comuníquese al 1-877-337-3639 para solicitar el nombre y número telefónico del centro de servicio al cliente autorizado más cercano.
NECESITA UNA PRUEBA DE COMPRA FECHADA, NÚMERO DE MODELO
Y DE SERIE PARA EL SERVICIO DE LA GARANTÍA**