

This Owner's Manual is provided and hosted by [Appliance Factory Parts](#).



# Haier HTWR12XCR-1 Owner's Manual

[Shop genuine replacement parts for Haier  
HTWR12XCR-1](#)



[Find Your Haier Air Conditioner Parts - Select From 735 Models](#)

----- Manual continues below -----



# Haier

## Room Air Conditioner Climatiseur individuel

### Aire acondicionado de uso doméstico

User & Care Guide

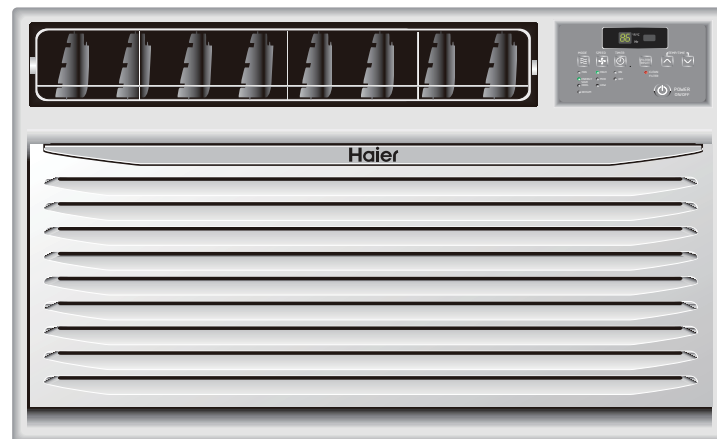
Guide d'utilisation et d'entretien

Guía de uso y cuidado

HTWR08XCR

HTWR10XCR HTWR10VCR

HTWR12XCR HTWR12VCR



For questions about features, operation/performance, parts,  
accessories or service call: 1-877-337-3639

Si tiene preguntas respecto a las características, funcionamiento,  
rendimiento, partes, accesorios o servicio técnico,  
llame al: 1-877-337-3639

Au Canada, pour assistance, installation ou service,  
composez le : 1-877-337-3639

**0010536101**





## TABLE OF CONTENTS

<b>AIR CONDITIONER SAFETY</b> .....	<b>3</b>	In the U.S.A. ....	14
<b>INSTALLATION INSTRUCTIONS</b> .....	<b>4</b>	In Canada .....	14
<b>AIR CONDITIONER USE</b> .....	<b>6</b>	<b>WARRANTY</b> .....	<b>15</b>
Starting Your Air Conditioner .....	6		
Using the Remote Control.....	9		
Changing Air Direction .....	11		
Normal Sounds.....	11		
<b>AIR CONDITIONER CARE</b> .....	<b>11</b>		
Cleaning the Air Filter .....	12		
Cleaning the Front Panel.....	12		
Annual Maintenance.....	12		
<b>TROUBLESHOOTING</b> .....	<b>12</b>		
<b>ASSISTANCE OR SERVICE</b> .....	<b>14</b>		

## TABLE DES MATIÈRES

<b>SÉCURITÉ DU CLIMATISEUR</b> .....	<b>16</b>	Aux États-Unis.....	26
<b>DIRECTNES D'INSTALLATION</b> .....	<b>17</b>	Au Canada.....	26
<b>UTILISATION DU CLIMATISEUR</b> .....	<b>19</b>	<b>GARANTIE</b> .....	<b>27</b>
Mise en marche du climatiseur.....	19		
Utilisation de la télécommande.....	21		
Changement de la direction de la circulation de l'air.....	23		
Sons normaux .....	23		
<b>ENTRETIEN DU CLIMATISEUR</b> .....	<b>23</b>		
Nettoyage du filtre à air .....	23		
Nettoyage du panneau avant.....	24		
Entretien annuel.....	24		
<b>DÉPANNAGE</b> .....	<b>24</b>		
<b>ASSISTANCE OU SERVICE</b> .....	<b>26</b>		

## ÍNDICE

<b>SEGURIDAD DEL ACONDICIONADOR DE AIRE</b> .....	<b>28</b>	En los EE.UU. ....	38
<b>INSTRUCCIONES DE INSTALACIÓN</b> .....	<b>29</b>	En CANADÁ .....	38
<b>USO DEL AIRE ACONDICIONADO</b> .....	<b>31</b>	<b>GARANTÍA</b> .....	<b>39</b>
Cómo se enciende el aire acondicionado .....	31		
Uso del control remoto.....	33		
Cambio de la dirección del aire.....	35		
Sonidos normales.....	35		
<b>CUIDADO DEL AIRE ACONDICIONADO</b> .....	<b>35</b>		
Limpieza del filtro de aire .....	35		
Limpieza del panel frontal .....	36		
Mantenimiento anual.....	36		
<b>SOLUCIÓN DE PROBLEMAS</b> .....	<b>36</b>		
<b>ASISIENCIA O SERVICIO</b> .....	<b>38</b>		





## AIR CONDITIONER SAFETY

### Your safety and the safety of others is very important.

We have provided many important safety messages in this manual and on your appliance. Always read and obey all safety messages.



This is the safety alert symbol.

This symbol alerts you to potential hazards that can kill or hurt you and others.

All safety messages will follow the safety alert symbol and either the word "DANGER" or "WARNING."

These words mean:

**⚠ DANGER**

You can be killed or seriously injured if you don't immediately follow instructions.

**⚠ WARNING**

You can be killed or seriously injured if you don't follow instructions.

All safety messages will tell you what the potential hazard is, tell you how to reduce the chance of injury, and tell you what can happen if the instructions are not followed.

### IMPORTANT SAFETY INSTRUCTIONS

**WARNING:** To reduce the risk of fire, electrical shock or injury when using your air conditioner, follow these basic precautions:

- Plug into a grounded 3 prong outlet.
- Do not use an extension cord.
- Do not remove ground prong.
- Unplug air conditioner before servicing.
- Do not use an adapter.
- Use two or more people to move and install air conditioner.

**SAVE THESE INSTRUCTIONS**

# INSTALLATION INSTRUCTIONS

## CAUTION

There are sharp edges that can cause serious cuts.  
When lifting the air conditioner, it is HEAVY. Use 2 peoples to lift.

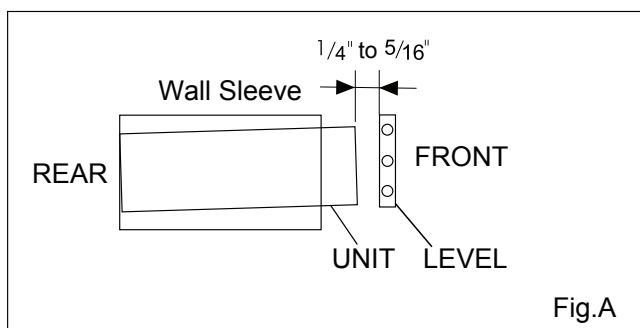
**For New Construction install Haier Wall Sleeve.**

**Remove old air conditioner and inspect sleeve for the following:**  
**Insallation--Make sure that sleeve is securely installed and in sound structural condition.**

**Dimensions--Measure the size to make sure the air conditioner will fit.**

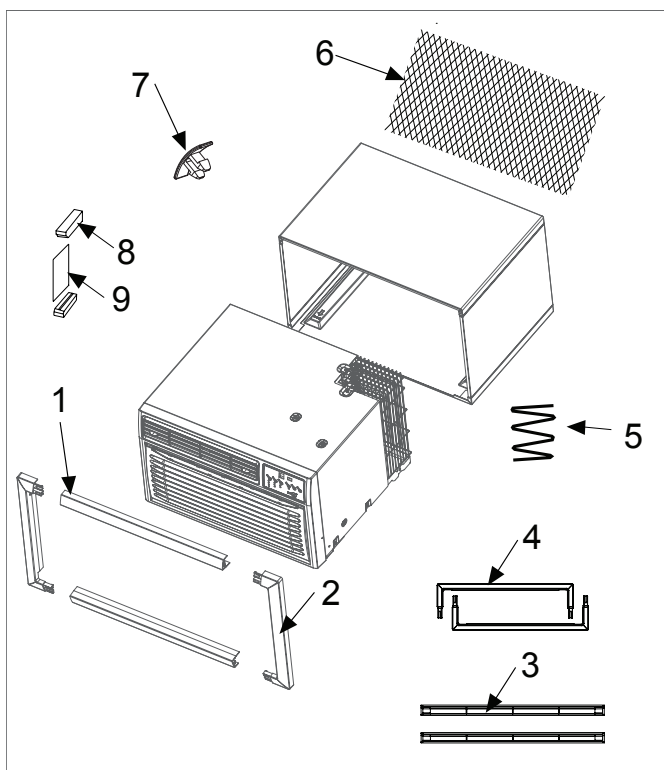
**Slope--There should be a rearward slope for condensate to drain from the rear of the sleeve.**

**Chece against Fig.A.**



**Manufacturer--So the method of installation can be determined.**  
**If the installation and slope are suspect, then removal and correct installation of a Haier Wall Sleeve, is recommended.**

**Check the conetents of the accessories supplied with your air conditioner as shown below:**



Number	Part name	QTY.
1	Wide Top/Bottom Trim Frame	2
2	Wide Side Trim Frame	2
3	Narrow Top/Bottom Trim Frame	2
4	Narrow Side Trim Frame	2
5	Foam Seal	1
6	Universal Fit Rear Grille	1
7	Rubber Clamp	4
8	Tapered Spacer Block	2
9	Board	1

## How to install

**1. Identify the existing wall sleeve before installing the unit from the listed below.**

Brand	Wall Sleeve Dimensions(inches)		
	Width	Height	Depth
Haier Amana	25-13/32	15-3/4	17-1/2
Haier Amana	25-7/8	15-9/16	16-3/4
White-westinghouse Frigidaire Carrier(52F series)	25-1/2	15-1/4	16, 17-1/2 or 22
General Electric /Hotpoint	26	15-5/8	16-7/8
Whirlpool	25-7/8	16-1/2	17-1/8
Fedders/Emerson	27	16-3/4	16-3/4 or 19-3/4
Sears/Kenmore	25-7/8	15-17/32	16-23/32
Carrier(51S series)	25-3/4	16-7/8	18-5/8
Emerson/Fedders	26-3/4	15-3/4	15
Friedrich	27	16-3/4	16-3/4
LG	25-7/8	15-17/32	16-23/32

**Note: All wall sleeves used to mount the new Air Conditioner must be in sound structural condition and have a rear grille that securely attaches to sleeve, or rear flange that serves as a stop for the Air conditioner.**

**2. Clean the interior of the sleeve (do not disturb seals).**

**3. Repaint the sleeve if needed.**

**4. For best performance and energy efficiency, replace the existing rear louver grille with the plastic mesh supplied in the package. Measure and cut the plastic grille to fit and place inside the wall sleeve against the rear flange. See Fig B**

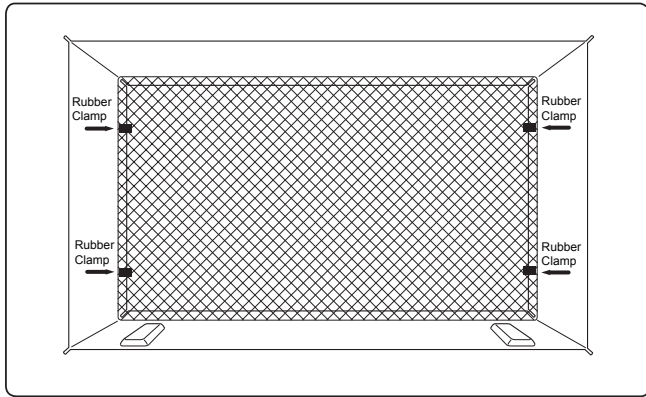


Fig.B

If your existing sleeve has a rear grille and you wish to retain: redirect the louvers to 60° angle as shown in Fig C.

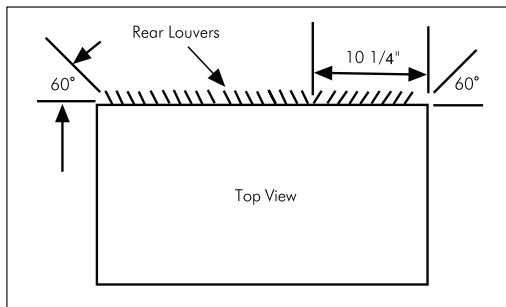


Fig.C

5.If the depth of your existing wall sleeve is less than or equal to 20",skip to step 7.Otherwise,cut the baffles and the support blocks according to length "A" in the table below.

Depth "D" of the existing wall sleeve (inches)	Length "A" (inches)
$20 < D \leq 20 \frac{5}{8}$	$\frac{3}{4}$
$20 \frac{5}{8} < D \leq 21 \frac{3}{4}$	$1 - \frac{3}{4}$
$21 \frac{3}{4} < D \leq 24$	4

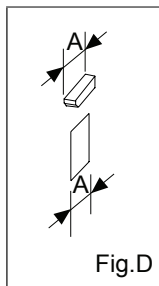


Fig.D

6.Remove the backing from the support blocks and attach them to the inside of the wall sleeve as shown FIG E.Slide the baffle into slots of the support blocks.

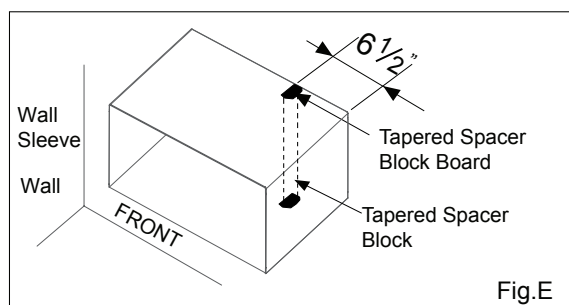


Fig.E

7.Install the new unit into the wall sleeve.

8.Install the 1"x1 1/2"x84"long stuffer seal between the wall sleeve and the unit.

9.To assemble trim, snap the tab of each piece into the slot of the other piece as shown below.2-Trim frames are supplied with unit.use the trim frame that best fits your sleeve. Slide trim over the front of the air conditioner until trim is flush with sleeve as shown below.

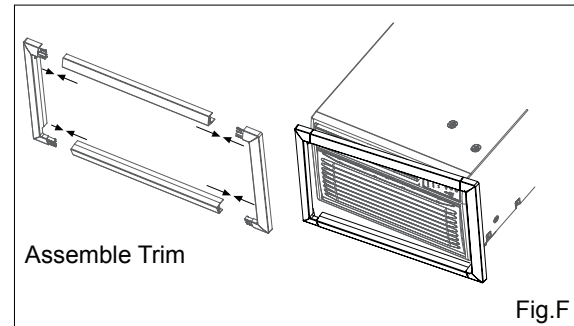


Fig.F

Note:Be sure to route the cord through the trim frame before placing the trim frame on the unit.

## AIR CONDITIONER USE

Operating your air conditioner properly helps you to obtain the best possible results.

This section explains proper air conditioner operation.

### IMPORTANT:

- If you turn off the air conditioner, wait at least 3 minutes before turning it back on. This keeps the air conditioner from blowing a fuse or tripping a circuit breaker.

- Do not try to operate your air conditioner in the Cool mode when outside temperature is below 61°F (16°C). The inside evaporator coil will freeze up, and the air conditioner will not operate properly.

### Starting Your Air Conditioner



Operating your air conditioner properly helps you to obtain the best possible results.

This section explains how to operate this air conditioner.

### IMPORTANT:

When you turn off the air conditioner, either at the control panel or with the remote control, wait at least 3 minutes before turning it back on. This prevents the compressor from overloading. This 3 minute delay also applies when switching from cool mode to fan and back.

Do not operate your air conditioner in the Cool mode when the outside temperature is below 61°F (16°C). The inside evaporator coil will freeze up, and the air conditioner will not operate properly.

## STARTING THE AIR CONDITIONER cont.

1. Carefully remove the clear plastic film from the control panel.
2. Press POWER once to turn on the air conditioner.

**NOTE:** When the air conditioner is first plugged in, the LED display will show "88" for 3 seconds.

After the air conditioner is turned on for the first time, the display will show the temperature 72°F and the fan is automatically set to Low speed and the Mode indicator will show ENERGY SAVE.

**NOTE:** To switch the temperature display between Fahrenheit (F) and Celsius(C), the air conditioner must be plugged in, and turned ON. On the control panel on the front of the AC, press the UP and DOWN button at the same time and hold for 3 seconds. The change cannot be done using the remote control.

3. Select Mode. Refer to "Mode."
4. Select Speed. Refer to "Speed."
5. Set Timer. Refer to "Temp/Time"
6. Reset the filter. Refer to "Filter Reset"

### MODE

1. Press mode until you see the indicator light come on next to the desired setting.

2. Choose Fan, Energy Save, Cool, or Dehum.

**FAN**—Only the fan runs. Press SPEED to select High, Med or Low fan speed. The display shows the current room temperature.

**ENERGY SAVE**—In this mode the fan runs only when cooling is needed. The fan will run for 3 minutes after the compressor shuts off. The fan then cycles on for 2 minutes at 10 minute intervals until the temperature in the room is above the set temperature. The compressor then turns back on.

**COOL**—Cools the room. Press SPEED to select High, Med, Low Fan speed. Press the TEMP/TIME up or down arrow button to adjust the temperature.



**DEHUM**—Aids in removing humidity from the room. This setting will NOT cool the room.

**NOTE:**

- Dehum mode cannot be used to cool the room.

**SPEED**

1. Press FAN SPEED until you see the indicator light come on next to the desired setting.
2. Choose High, Med, Low

**HIGH**—For maximum cooling

**MED**—For normal cooling

**LOW**—For minimum cooling

**TIMER**

To set the air conditioner to turn off between 1 hour and 24 hours (The air conditioner must be ON to set):

1. Press TIMER. Timer Off indicator light will be on. The display will show the remaining hours before the air conditioner will turn off.
2. Press the TEMP/TIME up or down arrow button to change the delay time from 1 hour to 24 hours.
3. After 5 seconds, Timer Off indicator light will remain on. The display will show the left time to Timer Off.

To set the air conditioner to turn on between 1 hour and 24 hours:

1. Press TIMER. Timer On indicator light will be on. The display will show the remaining hours before the air conditioner will turn on.
2. Press the TEMP/TIME up or down arrow button to change the delay time from 1 hour to 24 hours.
3. After 5 seconds, Timer On indicator light will remain on. The display will show the left time to Timer On.



## TO CLEAR TIMER PROGRAM:

**NOTE:** Air conditioner can be either on or off.

Press TIMER until Timer indicator light turns off.

## TO VIEW OR CHANGE THE REMAINING TIME (IN HOURS):

### TIMER OFF

1. Press the TEMP/TIME up or down arrow button to increase or decrease the time.
2. After 5 seconds, the display will show the remaining time to Timer OFF.

### TIMER ON

1. The display will show the remaining time.
2. Press the TEMP/TIME up or down arrow button to increase or decrease the time.
3. After 5 seconds, the display will show the remaining time to Timer ON.

### TEMP/TIME

1. Press the TEMP/TIME up arrow button to raise the temperature. Each time you press the TEMP/TIME up arrow button, the temperature will go up 1°F until it reaches 86°F (30°C).
2. Press the TEMP/TIME down arrow button to lower the temperature. Each time you press the TEMP/TIME down arrow button, the temperature will go down 1°F until it reaches 61°F (16°C).

**NOTE:** After 5 seconds, under Fan mode, the display will show the current temperature. Under Cool, Energy Save or Dehum mode, the display will show the set temperature.

### FILTER RESET

This feature automatically notifies you that the air filter must be cleaned. The indicator light will come on after 240 hours of operation. Clean the air filter (refer to Care and Cleaning), place it back in the front panel, and press the Filter Reset button. The light will turn off.

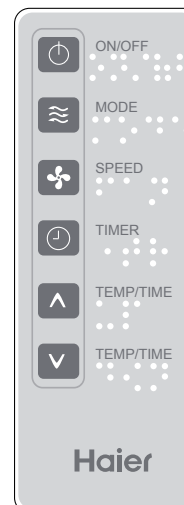


## USING THE REMOTE CONTROL

**NOTE:** The raised dots are Braille for the visually impaired.

Remote control may differ in appearance from the image shown.

**NOTE:** Remove and discard protective film prior to use. The remote control runs on one CR2025 battery (included). Replace battery after 6 months of use, or when the remote control starts to lose power. To change battery, first remove screw on back panel of remote.



### POWER

Press ON/OFF to turn on the air conditioner.

Mode

Press MODE to choose Fan, Energy Save, Cool or Dehum.

Speed

Press SPEED to choose High, Med, Low.

### TIMER

To set the air conditioner to turn off after a set amount between 1 hour and 24 hours (unit must be ON):

1. Press TIMER. Timer OFF indicator light on the air conditioner control panel will be on.
2. Press the TEMP/TIME up or down arrow button to change the delay time from 1 hour to 24 hours.
3. After 5 seconds, Timer OFF indicator light on the air conditioner control panel will remain on.

### TO SET THE AIR CONDITIONER TO TURN ON BETWEEN 1 HOUR AND 24 HOURS:

1. Press TIMER. Timer On indicator light on the air conditioner control panel will be on.
2. Press the TEMP/TIME up or down arrow button to change the delay time from 1 hour to 24 hours.
3. After 5 seconds, Timer On indicator light on the air conditioner control panel will remain on.



## **TO CLEAR TIMER DELAY PROGRAM:**

**NOTE:** Air conditioner can be either on or off.

Press **TIMER** until Timer indicator light turns off.

## **TO SEE OR CHANGE THE REMAINING TIME (IN HOURS):**

### **TIMER OFF:**

1. Press the **TEMP/TIME** up or down arrow button to increase or decrease the time.
2. After 5 seconds, the display on the air conditioner control panel will show the remaining time to Timer Off.

### **TIMER ON:**

1. Display on the air conditioner control panel will show remaining time.
2. Press the **TEMP/TIME** up or down arrow button to increase or decrease the time.

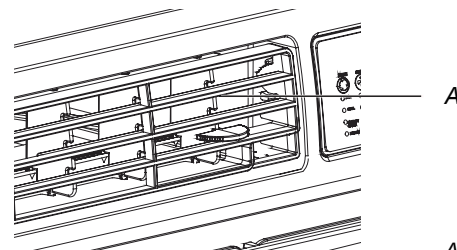
## **TEMP/TIME**

- Press the **TEMP/TIME** up arrow button to raise the temperature. Each time you press the **TEMP/TIME** up arrow button, the temperature will go up 1°F until it reaches 86°F (30°C).
- Press the **TEMP/TIME** down arrow button to lower the temperature. Each time you press the **TEMP/TIME** down arrow button, the temperature will go down 1°F until it reaches 61°F (16°C).



## Changing Air Direction

**4-Way Air Flow:** The air directional louvers let you control the direction of the airflow to the desired direction. The airflow can be directed up-down, left-right



A. 4-way Air Flow

## Normal Sounds

When your air conditioner is operating normally, you may hear sounds such as:

- Droplets of water hitting the condenser, causing a pinging or clicking sound. The water droplets help cool the condenser.
- Air movement from the fan.
- Clicks from the thermostat cycle.
- Vibrations or noise due to poor wall or window construction.
- A high-pitched hum or pulsating noise caused by the modern high-efficiency compressor cycling on and off.

## AIR CONDITIONER CARE

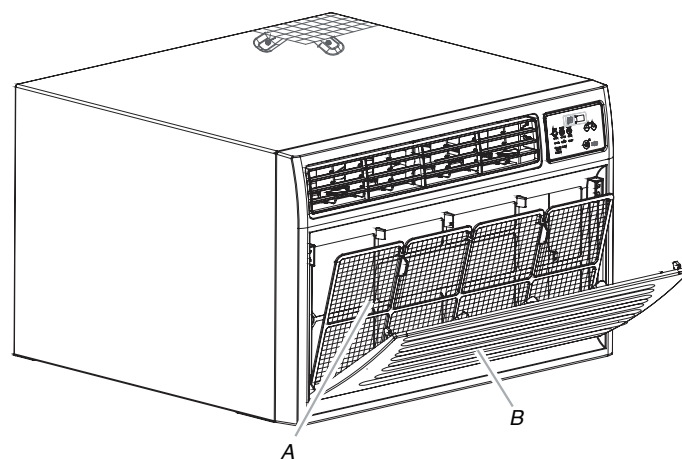
Your new air conditioner is designed to give you many years of dependable service. This section tells you how to clean and care for your air conditioner properly.

### Cleaning the Air Filter

The air filter is removable for easy cleaning. A clean filter helps remove dust, lint, and other particles from the air and is important for best cooling and operating efficiency. Check the filter every 2 weeks to see whether it needs cleaning.

**NOTE:** Do not operate the air conditioner without the filter in place.

1. Turn off the air conditioner.
2. Remove the air filter by opening the front panel and removing the air filter.



A. Air filter  
B. Front panel

3. Use a vacuum cleaner to clean air filter. If the air filter is very dirty, wash it in warm water with a mild detergent. Do not wash the air filter in the dishwasher or use any chemical cleaners. Air dry the air filter completely before replacing to ensure maximum efficiency.
4. Replace the air filter.
5. Close the front panel.
6. Turn on the air conditioner.

---

### Cleaning the Front Panel

1. Turn off the air conditioner.
2. Clean the front panel with a soft, damp cloth.
3. Air dry the front panel completely.
4. Turn on the air conditioner.

---

### Annual Maintenance

---

#### Air Conditioner

---

Your air conditioner needs annual maintenance to help ensure steady, top performance throughout the year. Call your local authorized dealer to schedule an annual checkup. The expense of an annual inspection is your responsibility.

---

## TROUBLE SHOOTING


Before calling for service, try the suggestions below to see whether you can solve your problem without outside help.

---

#### Air Conditioner Will Not Operate

---

**⚠ WARNING**



**Electrical Shock Hazard**

**Plug into a grounded 3 prong outlet.**

**Do not remove ground prong.**

**Do not use an adapter.**

**Do not use an extension cord.**

**Failure to follow these instructions can result in death, fire, or electrical shock.**

- **The power supply cord is unplugged.** Plug into a grounded 3 prong outlet. See “Electrical Requirements.”

- **The power supply cord has tripped (Reset button has popped out).** Press and release RESET (listen for click; Reset button will latch and on some devices, a green light will turn on) to resume operation.
- **A household fuse has blown, or circuit breaker has tripped.** Replace the fuse or reset the circuit breaker. If the problem continues, call an electrician. See “Electrical Requirements.”
- **The Power button has not been pressed or the Mode control knob is turned to Off.** Press POWER or turn the Mode control knob to an active setting.
- **The local power has failed.** Wait for power to be restored.

---

#### Air conditioner blows fuses or trips circuit breakers

---

- **Too many appliances are being used on the same circuit.** Unplug or relocate appliances that share the same circuit.
- **Time-delay fuse or circuit breaker of the wrong capacity is being used.** Replace with a time-delay fuse or circuit breaker of the correct capacity. See “Electrical Requirements.”



- **An extension cord is being used.** Do not use an extension cord with this or any other appliance.
- **You are trying to restart the air conditioner too soon after turning off the air conditioner.** Wait at least 3 minutes after turning off the air conditioner before trying to restart the air conditioner.

---

#### Air conditioner power supply cord trips (Reset button pops out)

---

- **Disturbances in your electrical current can trip (Reset button will pop out) the power supply cord.** Press and release RESET (listen for click; Reset button will latch and on some devices, a green light will turn on) to resume operation.
- **Electrical overloading, overheating, cord pinching or aging can trip (Reset button will pop out) the power supply cord.** After correcting the problem, press and release RESET (listen for click; Reset button will latch and on some devices, a green light will turn on) to resume operation.

**NOTE:** A damaged power supply cord must be replaced with a new power supply cord obtained from the product manufacturer and must not be repaired.

---

#### Air conditioner seems to run too much

---

- **The current air conditioner replaced an older model.** The use of more efficient components may cause the air conditioner to run longer than an older model, but the total energy consumption will be less. Newer air conditioners do not emit the “blast” of cold air you may be accustomed to from older air conditioners, but this is not an indication of lesser cooling capacity or efficiency. Refer to the efficiency rating (EER) and capacity rating (in Btu/h) marked on the air conditioner.
- **The air conditioner is in a heavily occupied room, or heatproducing appliances are in use in the room.** Use exhaust vent fans while cooking or bathing and try not to use heatproducing appliances during the hottest part of the day. A higher capacity air conditioner may be required, depending on the size of the room being cooled.

---

#### Air conditioner cycles on and off too much or does not cool room in cooling mode

---

- **The air conditioner is not properly sized for your room.** Check the cooling capabilities of your room air conditioner. Room air conditioners are not designed to cool multiple rooms.
- **The filter is dirty or obstructed by debris.** Clean the filter.
- **There is excessive heat or moisture (open container cooking, showers, etc.) in the room.** Use a fan to exhaust heat or moisture from the room. Try not to use heatproducing appliances during the hottest part of the day.
- **The louvers are blocked.** Install the air conditioner in a location where the louvers are free from curtains, blinds, furniture, etc.
- **The outside temperature is below 65°F (18°C).** Do not try to operate your air conditioner in the cooling mode when the outside temperature is below 65°F (18°C).
- **The temperature of the room you are trying to cool is extremely hot.** Allow extra time for the air conditioner to cool off a very hot room.
- **Windows or doors to the outside are open.** Close all windows and doors.
- **The Temperature control is not at a cool enough setting.** Adjust the TEMP/TIME control to a cooler setting by pressing the minus button to reduce the temperature. Set the Fan Speed control to the highest setting.

---

#### Water drips from cabinet into your house

---

- The air conditioner is not properly leveled. The air conditioner should slope slightly downward toward the outside. Level the air conditioner to provide a downward slope toward the outside to ensure proper drainage. See the Installation Instructions.  
**NOTE:** Do not drill a hole into the bottom of the metal base and condensate pan.



## ASSISTANCE OR SERVICE

Before calling for assistance or service, please check "Troubleshooting." It may save you the cost of a service call. If you still need help, follow the instructions below.

When calling, please know the purchase date and the complete model and serial number of your appliance. This information will help us to better respond to your request.

### If you need replacement parts

If you need to order replacement parts, we recommend that you use only factory-specified replacement parts. Factory-specified replacement parts will fit right and work right because they are made with the same precision used to build every new appliance. To locate factory-specified replacement parts in your area, call your nearest designated service center.

### Please record your model's information.

Whenever you call to request service on your appliance, you need to know your complete model number and serial number.

You can find this information on the model and serial number label. See "Electrical Requirements" for the location of the model and serial number label.

Please record the model and serial number information below. Also, record the purchase date of your appliance and the store's name, address, and telephone number.

Model Number \_\_\_\_\_

Serial Number \_\_\_\_\_

Purchase Date \_\_\_\_\_

Store Name \_\_\_\_\_

Store Address \_\_\_\_\_

Store Phone \_\_\_\_\_

Keep this book and the sales slip together for future reference.

### In the U.S.A.

Visit [www.haieramerica.com](http://www.haieramerica.com) or call Haier America toll free: **1-877-337-3639**.

#### Our consultants provide assistance with:

- Features and specifications on our appliances.
- Installation information.
- Use and maintenance procedures.
- Repair parts sales.
- Referrals to repair parts distributors, and service companies. Manufacturer-authorized service technicians are trained to fulfill the product warranty and provide after-warranty service, anywhere in the United States.

#### For Further Assistance

If you need further assistance, you can write with any questions or concerns to:

Haier America,  
Wayne, NJ 07470

Please include a daytime phone number in your correspondence.

### In Canada

Visit [www.haieramerica.com](http://www.haieramerica.com) or call Haier America toll free: **1-877-337-3639**.

#### Our consultants provide assistance with:

- Features and specifications on our appliances.
- Installation information.
- Use and maintenance procedures.
- Repair parts sales.
- Referrals to repair parts distributors, and service companies. Manufacturer-authorized service technicians are trained to fulfill the product warranty and provide after-warranty service, anywhere in the Canada.

#### For Further Assistance

If you need further assistance, you can write with any questions or concerns to:

Haier America,  
Wayne, NJ 07470

Please include a daytime phone number in your correspondence.



---

# LIMITED WARRANTY

---

## ONE YEAR LIMITED WARRANTY

This warranty covers all defects in workmanship or material for the mechanical and electrical parts (including labor costs) contained in this product for a period of 12 months from the date of purchase. For commercial or rental application, the warranty is 90 days. You must keep and be able to provide your original sales receipt as proof of the date of purchase.

---

## WHO IS COVERED

The original retail purchaser of this product.

---

## WHAT WILL BE DONE

Haier America will repair or replace any mechanical, electrical part or the compressor, which proves defective in normal household use for a period of 12 months. Haier America will repair or replace (excluding labor costs) the sealed system and compressor (parts only) for an additional 4-year period.

---

## HOW CAN YOU GET SERVICE

Contact your nearest manufacturer-authorized Service Depot. For the name of the Service Depot nearest you, contact Haier America at **1-877-337-3639**.

All service must be performed by a manufacturer-authorized Service Depot.

---

## THIS WARRANTY DOES NOT COVER

1. Damages from improper installation.
  2. Damages in shipping.
  3. Defects other than manufacturing.
  4. Damages from misuse, abuse, accident, alteration, lack of proper care and maintenance or incorrect current or voltage.
  5. Damage from other than household use.
  6. Damages from service by other than an authorized dealer or service center.
  7. Decorative trims or replaceable light bulbs.
  8. Labor, service, transportation and shipping charges for the removal of defective parts and installation of replacement parts beyond the initial 12-month period.
  9. Credit or refund for products over 30 days past date of purchase, or for any loss or injury caused by the product or defects to the product including but not limited to incidental or consequential damages.
  10. Food loss for food spoiled as a direct result of mechanical failure of a product or of any delay in providing service, repair or replacement.
  11. Refurbished product purchased as/like new or second-hand.
- 

## **THIS LIMITED WARRANTY IS GIVEN IN LIEU OF ALL OTHER WARRANTIES, EXPRESS OR IMPLIED, INCLUDING THE WARRANTIES OF MERCHANTABILITY AND FITNESS FOR A PARTICULAR PURPOSE.**

The remedy provided in this warranty is exclusive and is granted in lieu of all other remedies. This warranty does not cover incidental or consequential damages. Some states do not allow the exclusion of incidental or consequential damages, so this limitation may not apply to you. Some states do not allow limitations on how long an implied warranty lasts, so this limitation may not apply to you. This warranty gives you specific legal rights and you may also have other rights which vary from state to state.

---

This warranty covers units within the continental United States, Canada and Puerto Rico.

# SÉCURITÉ DU CLIMATISEUR

## Votre sécurité et celle des autres est très importante.

Nous donnons de nombreux messages de sécurité importants dans ce manuel et sur votre appareil. Lisez et observez tous les conseils de sécurité.



Voici le symbole d'alerte de sécurité.

Ce symbole vous signale les dangers potentiels de décès et de blessures graves à vous et à d'autres.

Tous les messages de sécurité suivront le symbole d'alerte de sécurité et le mot « DANGER »

ou « AVERTISSEMENT ».

Ces mots signifient :

**⚠ DANGER**

Risque possible de décès ou de blessure grave si vous ne suivez pas immédiatement les instructions.

**⚠ AVERTISSEMENT**

Risque possible de décès ou de blessure grave si vous ne suivez pas les instructions.

Tous les messages de sécurité vous diront quel est le danger potentiel et vous indiquent comment réduire le risque de blessure et ce qui peut se produire en cas de non-respect des instructions.

## CONSIGNES DE SÉCURITÉ IMPORTANTES

**AVERTISSEMENT** : Afin de réduire les risques d'incendie, de choc électrique ou de blessures lorsque vous utilisez votre climatiseur, veuillez suivre ces précautions élémentaires :

- Branchez l'appareil à une fiche tripolaire mise à la terre.
- Ne retirez pas la broche de mise à la terre.
- N'utilisez pas d'adaptateur.
- N'utilisez pas de rallonge électrique.
- Débranchez toujours le climatiseur avant d'en faire l'entretien.
- Le déplacement et l'installation de l'appareil doit se faire à deux personnes ou plus.

**CONSERVEZ CES INSTRUCTIONS.**

# DIRECTIVES D'INSTALLATION

## ⚠ MISE EN GARDE

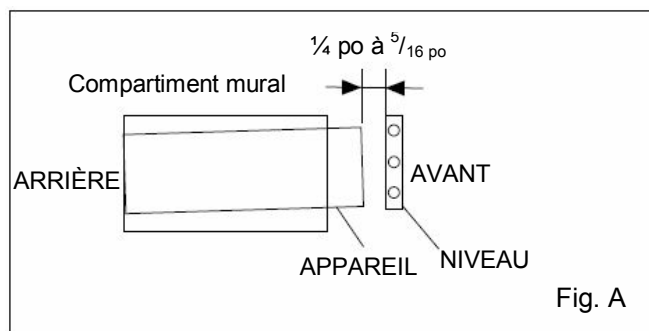
L'appareil a des rebords coupants pouvant causer de graves blessures.  
N'oubliez pas que le climatiseur est LOURD. Soyez 2 personnes pour le déplacer.

**Pour un bâtiment nouvellement construit, installez un compartiment mural Haier.**

**Enlevez l'ancien climatiseur et inspectez les éléments suivants du compartiment : Installation--Assurez-vous que le compartiment mural est solidement fixé est en bonne condition structurelle. Dimensions--Mesurez les dimensions afin de vous assurer que le climatiseur pourra y être logé.**

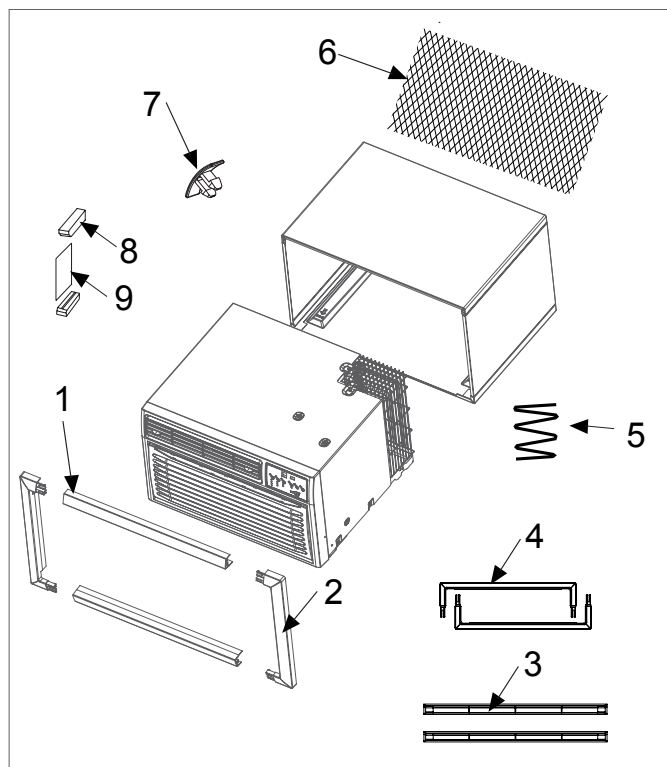
**Inclinaison--Une inclinaison vers l'arrière doit être présente pour permettre la vidange du condensat à partir de la partie arrière du compartiment mural.**

Comparez avec la Fig. A



**Fabricant --La méthode d'installation peut ainsi être déterminée. Si vous avez un doute au sujet de l'installation, nous vous recommandons alors d'enlever le vieux compartiment mural et d'installer un compartiment mural Haier.**

**Vérifiez le contenu des accessoires fournis avec votre climatiseur tel que montré ci-dessous :**



Numéro	Nom de pièce	QTÉ
1	Bordure large supérieure et inférieure	2
2	Bordure large latérale	2
3	Bordure étroite supérieure et inférieure	2
4	Bordure étroite latérale	2
5	Joint d'étanchéité en Mouse	1
6	Grille arrière universelle	1
7	Serrage En Caoutchouc	4
8	Bloc d'espacement	2
9	Panneau	1

## Installation

**1. À l'aide de la liste ci-dessous, identifiez le compartiment mural en place avant d'installer l'appareil.**

Marque	Dimensions du compartiment mural (en pouces)		
	Largeur	Hauteur	Longueur
Haier Amana	25 13/32	15 3/4	127 1/2
Haier Amana	25 7/8	15 9/16	116 3/4
White-westinghouse Frigidaire Série EVOKE	25 1/2	15 1/4	16,17 1/2 ou 22
General Electric/Hotpoint	26	15 5/8	16 7/8
Whirlpool	25 7/8	16 1/2	17 1/8
Fedders/Emerson	27	16 3/4	116 3/4 ou 19 3/4
Sears/Kenmore	25 7/8	15 17/32	16 23/32
Carrier (série 51S)	25 3/4	16 7/8	18 5/8
Emerson/Fedders	26 3/4	15 3/4	15
Friedrich	27	16 3/4	16 3/4
LG	25 7/8	15 17/32	16 23/32

**Remarque : Tous les compartiments muraux utilisés pour installer le nouveau climatiseur doivent être dans une bonne condition structurelle et avoir une grille arrière fixée au compartiment ou une bride arrière qui sert de butée pour le climatiseur.**

**2. Nettoyez la partie interne du compartiment (sans toucher aux joints d'étanchéité).**

**3. Au besoin, peignez le compartiment.**

**4. Pour une meilleure performance et efficacité énergétique, remplacer la grille arrière avec le filet de plastique fourni.**

**Mesurer et couper le filet de plastique à la taille nécessaire et placer dans la paroi contre le rebord à l'arrière. Voir Fig. B**

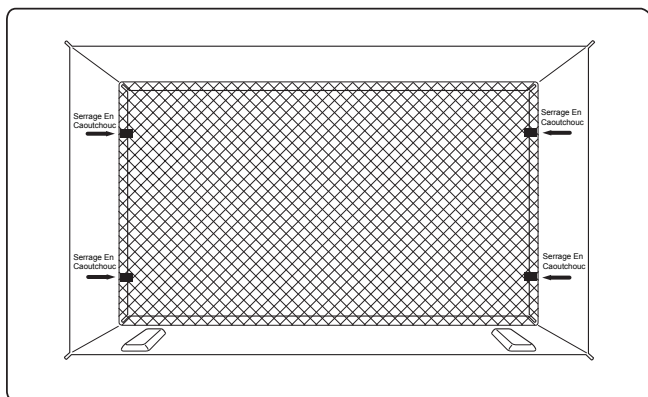


Fig. B

S'il y a déjà une grille arrière que vous désirez garder : rediriger les événements à un angle de 60 degrés tel qu'indiqué à la Fig. C.

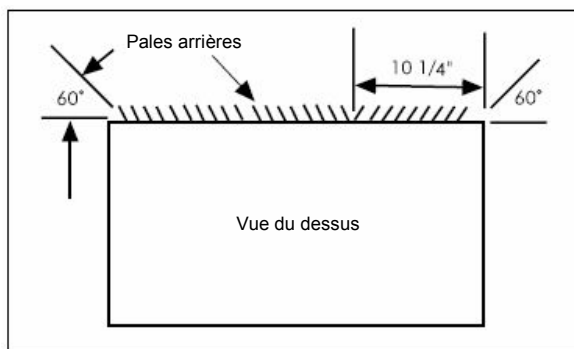


Fig. C

5. Si la profondeur de votre compartiment mural est de 20 po ou moins, passez à l'étape 7. Sinon, coupez les déflecteurs et les blocs d'appui à la longueur "A" du tableau ci-dessous.

Profondeur "D" du compartiment mural actuel (en po)	Longueur "A" (pouces)
$20 < D \leq 20 \frac{5}{8}$	$\frac{3}{4}$
$20 \frac{5}{8} < D \leq 21 \frac{3}{4}$	$1 \frac{3}{4}$
$21 \frac{3}{4} < D \leq 24$	4

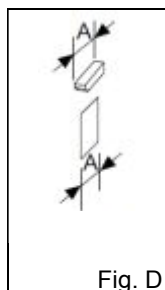


Fig. D

6. Retirez la partie arrière des blocs d'appui et fixez les blocs dans la partie interne du compartiment mural tel que montré à la Fig. E. Faites glisser le déflecteur dans les rainures des blocs d'appui.

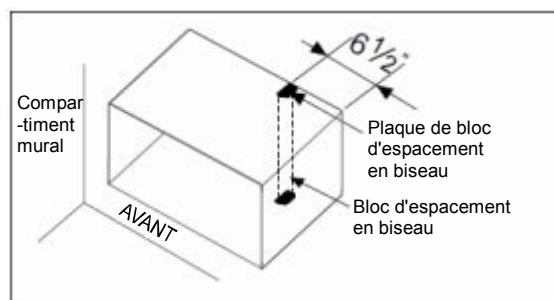


Fig. E

7. Installez le nouvel appareil dans le compartiment mural.
8. Installez un morceau de 1 po x 1 1/2 po x 84 po de matériau d'étanchéité/rembourrage entre le compartiment mural et l'appareil.
9. Pour installer la bordure, fixez les languettes de chaque morceau dans la rainure d'un autre morceau tel que montré ci-dessous. Deux bordures sont comprises avec l'appareil. Utilisez la bordure qui convient le mieux à votre compartiment. Faites glisser la bordure sur l'avant du climatiseur jusqu'à ce que la bordure soit à égalité avec le compartiment, tel que montré ci-dessous.

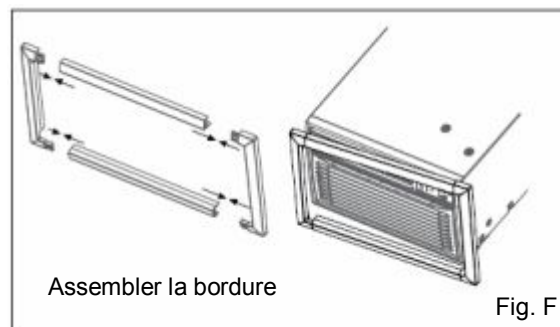


Fig. F

Remarque : Assurez-vous de passer le cordon par la bordure avant de placer la bordure sur l'appareil.

# UTILISATION DU CLIMATISEUR

Le fait d'utiliser votre climatiseur de manière appropriée vous procurera les meilleurs résultats possibles.

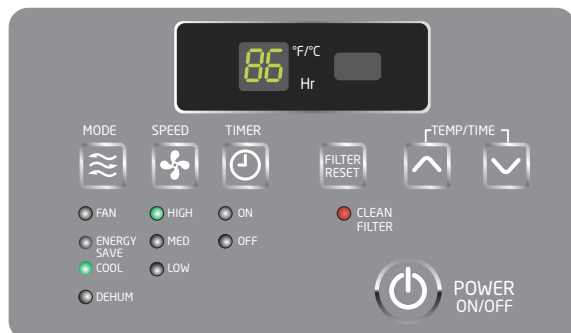
Cette partie explique comment faire fonctionner le climatiseur de manière appropriée.

## IMPORTANT :

- Si vous mettez le climatiseur à l'arrêt, attendez au moins 3 minutes avant de le remettre en marche. Cela empêche le climatiseur de faire sauter un fusible ou de déclencher un disjoncteur.

- N'essayez pas de faire fonctionner votre climatiseur en mode fraîcheur (Cool) lorsque la température extérieure est inférieure à 16°C (61°F). Le serpentin d'évaporateur interne gèlera et le climatiseur ne fonctionnera adéquatement.

## Mise en marche du climatiseur



Le fait d'utiliser votre climatiseur de manière appropriée vous procurera les meilleurs résultats possibles.

La partie suivante explique comment faire fonctionner ce climatiseur.

## IMPORTANT :

Lorsque le climatiseur est mis à l'arrêt, que ce soit par le panneau de commande ou au moyen de la télécommande, attendre au moins 3 minutes avant de le remettre en marche. Ceci prévient la surcharge du compresseur. Ce délai de 3 minutes s'applique aussi pour le passage aux modes fraîcheur (Cool) et ventilateur (Fan).

Ne pas essayer de faire fonctionner le climatiseur en mode fraîcheur (Cool) lorsque la température extérieure est inférieure à 16 °C (61°F). Le serpentin d'évaporateur interne gèlera et le climatiseur ne fonctionnera adéquatement.

## DÉMARRAGE DU CLIMATISEUR (suite)

1. Ôtez la pellicule de plastique recouvrant le panneau de commande.
2. Appuyez une fois sur le bouton de mise en marche (POWER) pour mettre en marche l'appareil.

**REMARQUE :** La première fois que le climatiseur est branché, l'écran DEL affichera les chiffres « 88 » pendant 3 secondes.

Une fois le climatiseur mis en marche pour la toute première fois, l'écran affichera la température de 72 °F (22 °C) et le ventilateur se mettra automatiquement à

la vitesse basse (Low) et l'indicateur Mode affichera Energy Save (économie d'énergie).

**REMARQUE :** Pour commuter entre les degrés Fahrenheit (F) et Celsius (C), le climatiseur doit être branché, et être en marche. Sur le panneau de commande à l'avant du climatiseur, maintenez les boutons UP (Haut) et DOWN (Bas) en même temps pendant 3 secondes. Le changement ne peut être fait à l'aide de la télécommande.

3. Sélectionnez le mode désiré. Rapportez-vous à la section « Mode ».
4. Sélectionnez la vitesse. Rapportez-vous à la section « Vitesse ».
5. Réglez la minuterie. Rapportez-vous « Températures / durée ».
6. Réinitialisez le filtre. Rapportez-vous à la section « Réinitialisation du filtre ».

## MODE

1. Appuyez sur MODE jusqu'à ce que le voyant indicateur s'illumine au réglage désiré.
2. Choisissez Fan (ventilateur), Energy Save (économie d'énergie), Cool (rafraîchir) ou Dehum (déshumidificateur).

**FAN (ventilateur)**—Seul le ventilateur fonctionne.

Appuyez sur SPEED pour choisir la vitesse du ventilateur (High, Med, Low). La température ambiante actuelle s'affiche à l'écran.

**ENERGY SAVE (économie d'énergie)**— À ce mode, le ventilateur ne fonctionne qu'en cas de besoin de rafraîchir la pièce. Le ventilateur continuera de tourner pendant 3 minutes après l'arrêt du compresseur. Le ventilateur se mettra en marche séquentielle, à raison de 2 minutes toutes les 10 minutes, jusqu'à ce que la température de la pièce soit au-dessus de la température configurée. À ce moment, le compresseur se remet en marche.

**COOL (rafraîchir)**—**Rafraîchit la pièce.** Appuyez sur SPEED pour choisir la vitesse du ventilateur (High, Med, Low). Appuyez sur les flèches haut ou bas TEMP/TIME pour régler la température.



**DEHUM** (déshumidificateur)— Aide à déshumidifier une pièce. Cette option ne rafraîchira PAS la pièce.

**REMARQUE :**

Le mode Dehum ne devrait pas être utilisé pour rafraîchir la pièce.

**VITESSE**

1. Appuyer sur FAN SPEED (vitesse du ventilateur) jusqu'à ce que le voyant indicateur s'allume au réglage désiré.
2. Sélectionnez High, Med ou Low.

**High (élevé)**— procure un rafraîchissement maximal

**Med (moyen)**— procure un rafraîchissement normal

**Low (faible)**— procure un rafraîchissement minimal

**MINUTERIE**

Pour régler le climatiseur de sorte qu'il s'arrête dans un délai de 1 à 24 heures (le climatiseur doit être en marche, à ON) :

1. Appuyer sur TIMER. Le voyant indicateur Timer Off s'allumera. L'écran affichera le nombre d'heures restantes avant que le climatiseur s'arrête.
2. Appuyez sur les flèches haut ou bas TEMP/TIME pour régler le temps de la minuterie entre 1 et 24 heures.
3. Après 5 secondes, le voyant indicateur Timer Off demeurera illuminé. L'écran affichera le temps restant jusqu'à l'arrêt (Timer Off).

Pour configurer le climatiseur de sorte qu'il se mette en marche dans un délai de 1 à 24 heures :

1. Appuyez sur TIMER. Le voyant indicateur Timer On s'allumera. L'écran affichera le nombre d'heures restant avant que le climatiseur ne s'arrête.
2. Appuyez sur les flèches haut ou bas TEMP/TIME pour régler le temps de la minuterie entre 1 et 24 heures.
3. Le voyant indicateur Timer On demeurera illuminé.

**POUR EFFACER LES RÉGLAGES PROGRAMMÉS DE LA MINUTERIE :**

**REMARQUE :** Le climatiseur peut être soit en marche, soit à l'arrêt.

Appuyez sur TIMER (MINUTERIE) jusqu'à ce que l'indicateur de la minuterie s'éteigne.

**POUR VISUALISER OU MODIFIER LE TEMPS RESTANT (EN HEURES) :**

**MINUTERIE DE MISE À L'ARRÊT**

1. Appuyez sur les flèches haut ou bas TEMP/TIME pour augmenter ou diminuer la durée.
2. Après 5 secondes, l'écran affichera le temps restant jusqu'à l'arrêt (Timer Off).

**MINUTERIE DE MISE EN MARCHÉ**

1. L'écran affichera le temps restant.
2. Appuyez sur les flèches haut ou bas TEMP/TIME pour augmenter ou diminuer la durée.
3. Après 5 secondes, l'écran affichera le temps restant jusqu'à la mise en marche (Timer On).

**TEMP./DURÉE**

1. Appuyez sur les flèches haut ou bas TEMP/TIME pour hausser la température. Chaque fois que la flèche du haut TEMP/TIME est enfoncée, la température augmente de 1°F jusqu'à ce qu'elle atteigne 86 °F (30 °C).
2. Appuyez sur les flèches haut ou bas TEMP/TIME pour abaisser la température. Chaque fois que la flèche du bas TEMP/TIME est enfoncée, la température s'abaisse de 1 °F jusqu'à ce qu'elle atteigne 61 °F (16 °C).

**REMARQUE :** Après 5 secondes, au mode Fan (ventilateur), la température ambiante actuelle s'affiche à l'écran. Après 5 secondes, aux modes Cool (rafraîchissement), Energy Save (économie d'énergie) or Dehum (déshumidificateur), la température réglée s'affiche à l'écran.



## RÉINITIALISATION DU FILTRE

Cette option vous avertit automatiquement que le filtre à air a besoin d'être nettoyé. Le témoin lumineux s'illuminera après 240 heures de fonctionnement. Nettoyez le filtre à air (se reporter à la section « Soins et entretien »), le replacer dans le panneau avant, et appuyer sur Filter reset (réinitialisation du filtre). Le voyant lumineux s'éteindra alors.

## UTILISATION DE LA TÉLÉCOMMANDE

**REMARQUE :** En Braille pour les personnes ayant une déficience de la vue.

L'apparence de la télécommande peut différer de l'image.

**REMARQUE :** Enlevez et jetez la pellicule de protection avant l'utilisation. La télécommande est alimentée par une pile CR2025 (comprise). Remplacez la pile tous les six mois ou lorsque la télécommande commence à faiblir. Pour remplacer la pile, retirez d'abord la vis du panneau arrière de la télécommande.

### ALIMENTATION

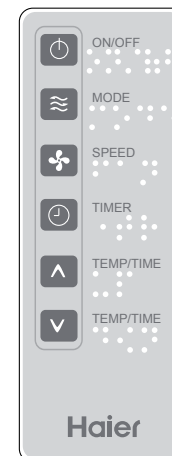
Appuyez sur le bouton ON/OFF pour mettre l'appareil en marche.

Mode

Appuyez sur MODE pour choisir le mode Fan (ventilateur), Energy Save (économie d'énergie), Cool (rafraîchir) ou Dehum (déshumidificateur).

Vitesse

Appuyez sur SPEED pour choisir la vitesse du ventilateur (High, Med, Low).



### MINUTERIE

Pour configurer le climatiseur de sorte qu'il s'arrête dans un délai de 1 à 24 heures (le climatiseur doit être en marche) :

1. Appuyez sur TIMER. Le voyant indicateur Timer OFF du panneau de commande du climatiseur restera illuminé.
2. Appuyez sur les flèches haut ou bas TEMP/TIME pour régler le temps de la minuterie entre 1 et 24 heures.
3. Après 5 secondes, le voyant indicateur Timer Off du panneau de commande demeurera illuminé.

### POUR CONFIGURER LE CLIMATISEUR DE SORTE QU'IL SE METTE EN MARCHÉ DANS UN DÉLAI DE 1 À 24 HEURES :

1. Appuyez sur TIMER. Le voyant indicateur Timer On du panneau de commande du climatiseur restera illuminé.
2. Appuyez sur les flèches haut ou bas TEMP/TIME pour régler le temps de la minuterie entre 1 et 24 heures.
3. Après 5 secondes, le voyant indicateur Timer On du panneau de commande demeurera illuminé.



## **POUR EFFACER LES RÉGLAGES PROGRAMMÉS DU MODE MINUTERIE :**

**REMARQUE :** Le climatiseur peut être soit en marche, soit à l'arrêt.

Appuyez sur TIMER (MINUTERIE) jusqu'à ce que l'indicateur de la minuterie s'éteigne.

## **POUR VISUALISER OU MODIFIER LE TEMPS RESTANT (EN HEURES) :**

### **MINUTERIE DE MISE À L'ARRÊT :**

1. Appuyez sur les flèches haut ou bas TEMP/TIME pour augmenter ou diminuer la durée.
2. Après 5 secondes, l'écran du panneau de commande du climatiseur affichera le temps restant jusqu'à l'arrêt (Timer Off).

### **MINUTERIE DE MISE EN MARCHÉ :**

1. L'écran du panneau de commande affichera le nombre d'heures restantes.
2. Appuyez sur les flèches haut ou bas TEMP/TIME pour augmenter ou diminuer la durée.

## **TEMP./DURÉE**

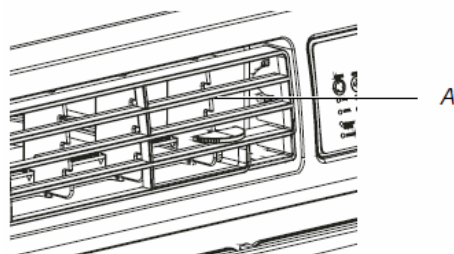
- Appuyez sur les flèches haut ou bas TEMP/TIME pour hausser la température. Chaque fois que la flèche du haut TEMP/TIME est enfoncée, la température augmente de 1 °F jusqu'à ce qu'elle atteigne 86 °F (30 °C).
- Appuyez sur les flèches haut ou bas TEMP/TIME pour abaisser la température. Chaque fois que la flèche du bas TEMP/TIME est enfoncée, la température s'abaisse de 1 °F jusqu'à ce qu'elle atteigne 61 °F (16 °C).





## Changement de la direction de la circulation de l'air

**Circulation d'air à quatre directions** Les pales orientables de circulation d'air vous permettent de contrôler la direction désirée de la circulation de l'air. La circulation de l'air peut être dirigée verticalement (haut/bas) ou latéralement (gauche/droite).



A. Circulation d'air à quatre directions

## Sons normaux

Lorsque votre climatiseur fonctionne normalement, vous pouvez entendre des sons comme :

- Le son de gouttelettes d'eau percutant le condensateur, causant un bruit d'eau percutant le métal ou un cliquetis. Les gouttelettes d'eau aident à refroidir le condensateur.
- Le déplacement d'air du ventilateur.
- Les clics des cycles du thermostat.
- Des vibrations ou du bruit dûs à une piètre construction des murs ou de la fenêtre.
- Un ronronnement aigu ou un son modulé causé par le cycle arrêt-marche du condensateur moderne à haute efficacité.

# ENTRETIEN DU CLIMATISEUR

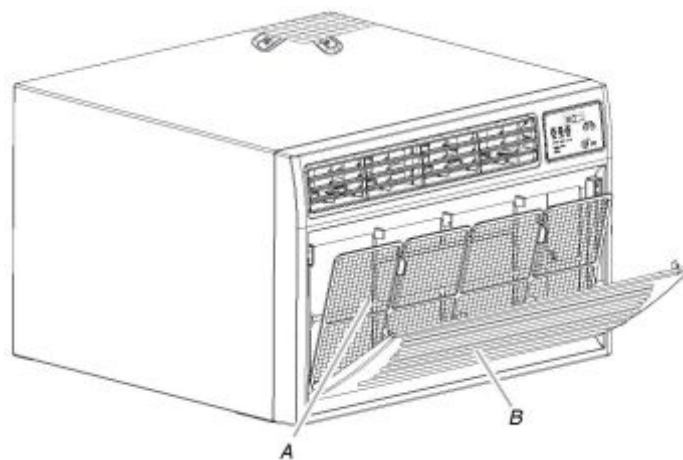
Votre nouveau climatiseur est conçu pour vous procurer de nombreuses années de service fiable. Cette section vous enseigne comment nettoyer et entretenir votre climatiseur adéquatement.

## Nettoyage du filtre à air

Le filtre à air est amovible, ce qui en facilite le nettoyage. La propreté du filtre aide à réduire la teneur de l'air en poussières, mousses et autres particules, et est importante pour un meilleur rendement de refroidissement et de fonctionnement. Vérifiez le filtre toutes les deux semaines pour voir s'il a besoin d'être nettoyé.

**REMARQUE :** Ne jamais faire fonctionner un climatiseur dont le filtre n'est pas installé.

1. Mettez le climatiseur à l'arrêt.
2. Ouvrez le panneau avant et retirez le filtre à air.



A. Filtre à air  
B. Panneau avant

3. Servez-vous d'un aspirateur pour nettoyer le filtre à air. Si le filtre est très sale, lavez-le avec de l'eau chaude et un savon doux. Ne mettez jamais un filtre à air au lave-vaisselle et n'utilisez pas de produit nettoyant chimique. Veillez à ce que le filtre à air soit complètement sec avant de le remettre en place pour une efficacité maximale.
4. Remettez le filtre à air en place.
5. Refermez le panneau avant.
6. Mettez le climatiseur en marche.

## Nettoyage du panneau avant

1. Mettez le climatiseur à l'arrêt.
2. Nettoyez le panneau avant avec un chiffon doux et humide.
3. Séchez complètement le panneau avant à l'air.
4. Mettez le climatiseur en marche.

## Entretien annuel

### Climatiseur

Votre climatiseur nécessite un entretien annuel pour veiller à ce qu'il vous procure un rendement stable et maximal tout au long de l'année. Appelez votre dépositaire local autorisé pour organiser un examen annuel. Les frais de l'inspection annuel sont de votre ressort.

# DÉPANNAGE

Avant d'appeler pour de l'entretien, essayez de mettre en pratique les conseils suggérés suivants pour voir si vous pouvez régler le problème sans l'aide d'un tiers.

### Le climatiseur ne fonctionne pas

**⚠ AVERTISSEMENT**



**Risque d'électrocution**

**Branchez l'appareil à une fiche tripolaire mise à la terre.**  
**Ne retirez pas la broche de mise à la terre.**  
**N'utilisez pas d'adaptateur.**  
**N'utilisez pas de rallonge électrique.**  
**La non-observance de ces instructions peut entraîner la mort, un incendie, ou une électrocution.**

- **Le cordon d'alimentation est débranché.** Branchez l'appareil à une fiche tripolaire mise à la terre. Consultez « Exigences en matière d'électricité ».

- **Le cordon d'alimentation s'est déclenché (le bouton Reset s'est déclenché).** Appuyez sur le bouton RESET, puis relâchez-le (attendez d'entendre un déclic; le bouton Reset s'enclenchera, et, sur certains modèles, un voyant lumineux vert s'illuminera) pour remettre l'appareil en marche.
- **Un fusible résidentiel a sauté, ou un disjoncteur s'est déclenché.** Remplacez le fusible ou enclenchez le disjoncteur. Si le problème persiste, faites appel à un électricien. Consultez « Exigences en matière d'électricité ».
- **Le bouton Power n'est pas enfoncé, ou le bouton de commande Mode est en position « Off ».** Appuyez sur POWER, ou placez le bouton de commande du mode à un réglage actif.
- **Votre réseau d'électricité local est en panne.** Attendez que le courant soit rétabli.

### Le climatiseur fait sauter des fusibles ou déclenche des disjoncteurs.

- **Trop d'appareils sont utilisés en même temps sur le même circuit.** Débranchez ou relocalisez les appareils partageant le même circuit.
- **Un fusible à retardement ou un disjoncteur possédant une capacité inadéquate est utilisé.** Remplacez l'élément fautif par un fusible à retardement ou un disjoncteur possédant une capacité adéquate. Consultez « Exigences en matière d'électricité ».



- **Vous utilisez une rallonge électrique.** N'utilisez pas de rallonge sur cet appareil ou sur tout autre appareil.
- **Vous essayez de redémarrer le climatiseur trop tôt après l'avoir mis à l'arrêt.** Attendez au moins 3 minutes avant de remettre le climatiseur en marche après sa mise à l'arrêt.

---

#### **Le cordon d'alimentation du climatiseur s'est déclenché (le bouton Reset est déclenché).**

- **Des perturbations de votre courant électrique peuvent déclencher (le bouton Reset se déclenche) le cordon d'alimentation.** Appuyez sur le bouton RESET, puis relâchez-le (attendez d'entendre un déclic; le bouton Reset s'enclenchera, et, sur certains modèles, un voyant lumineux vert s'illuminera) pour remettre l'appareil en marche.
- **Une surcharge électrique, une surchauffe, un étranglement du cordon d'alimentation ou le vieillissement de celui-ci peuvent déclencher (le bouton Reset se déclenche) le cordon.** Après avoir remédié au problème, appuyez sur le bouton RESET, puis relâchez-le (attendez d'entendre un déclic; le bouton Reset s'enclenchera, et, sur certains modèles, un voyant lumineux vert s'illuminera) pour remettre l'appareil en marche.

**REMARQUE :** Un cordon d'alimentation endommagé ne doit pas être réparé; il doit être remplacé par un cordon d'alimentation neuf, obtenu auprès du fabricant.

---

#### **Le climatiseur semble trop fonctionner**

- **Le climatiseur actuel remplace un modèle plus ancien.** L'utilisation de composants plus efficaces peut amener le climatiseur à fonctionner plus longtemps qu'un modèle plus ancien, mais l'énergie totale consommée sera moindre. Les climatiseurs plus récents n'émettent pas le « souffle » d'air froid auquel vous êtes accoutumé sur les modèles plus anciens; toutefois, cela n'indique pas que leur capacité de refroidissement ou leur efficacité soit amoindrie. Consultez le rendement énergétique et la capacité nominale (en Btu/h) indiqués sur le climatiseur.
- **Le climatiseur se trouve dans une pièce densément meublée, ou des appareils émettant de la chaleur se trouvent dans la pièce.** Actionnez les conduits de sortie pendant que vous cuisinez ou prenez un bain, et essayez de ne pas vous servir d'appareils émettant de la chaleur au point le plus chaud de la journée. Un climatiseur présentant une plus grande capacité peut être nécessaire, selon la taille de la pièce à refroidir.

---

#### **Le climatiseur passe trop souvent de la marche à l'arrêt et ne refroidit pas la pièce en mode refroidissement.**

- **Le climatiseur n'est pas de taille adéquate pour votre pièce.** Vérifiez les capacités refroidissantes de votre climatiseur. Ces appareils ne sont pas conçus pour refroidir plus d'une pièce.
- **Le filtre est sale ou obstrué par des débris.** Nettoyez le filtre.
- **La pièce présente une chaleur ou un taux d'humidité excessif (cuisson sans couvercle, douches, etc.).** Démarrez un ventilateur pour faire évacuer la chaleur ou l'humidité de la pièce. Essayez de ne pas vous servir d'appareils ménagers générant de la chaleur au point le plus chaud de la journée.
- Les pales d'évacuation de l'air sont bloquées. Installez le climatiseur dans un endroit où les pales ne sont pas obstruées par des rideaux, des stores, des meubles, etc.
- **La température extérieure est sous les 18 °C (65 °F).** N'essayez pas de faire fonctionner votre climatiseur en mode fraîcheur (Cool) lorsque la température extérieure est inférieure à 18°C (65°F).
- **La température de la pièce que vous essayez de rafraîchir est extrêmement élevée.** Laissez plus de temps au climatiseur pour rafraîchir une pièce où il fait très chaud.
- **Les fenêtres ou les portes donnant vers l'extérieur sont ouvertes.** Fermez toutes les fenêtres et portes.
- **Le bouton de commande n'est pas réglé à une température suffisamment fraîche.** Réglez le bouton de commande TEMP/TIME à un point plus frais en appuyant sur la flèche du bas pour réduire la température. Réglez le bouton de commande de la vitesse du ventilateur au réglage le plus élevé.

---

#### **De l'eau s'écoule du caisson à l'intérieur de votre pièce.**

- Le climatiseur n'est pas bien nivelé. Le climatiseur devrait être placé légèrement en pente vers l'extérieur. Nivelez l'appareil de sorte qu'il soit en pente vers l'extérieur pour assurer l'évacuation adéquate de l'eau. Consultez les instructions d'installation.

**REMARQUE :** Ne pas percer de trous dans la partie inférieure de la base métallique et du collecteur de condensat.

# ASSISTANCE OU SERVICE

Avant d'appeler pour obtenir de l'assistance ou du service, veuillez consulter la section « Dépannage ». Cela pourrait vous épargner le coût d'une visite d'un réparateur. Si vous avez toujours besoin d'aide, suivez les instructions ci-dessous.

Lorsque vous appelez, veuillez avoir en main la date d'achat et les numéros complets de modèles et de série de votre appareil. Ces renseignements nous aideront à mieux répondre à votre demande.

## Si vous avez besoin de pièces de rechange

Si vous devez commander des pièces de rechange, nous vous recommandons d'utiliser uniquement des pièces de rechange spécifiées d'origine. Les pièces de rechange spécifiées d'origine s'adaptent et fonctionnent parfaitement puisqu'elles sont fabriquées avec la même précision utilisée pour construire tous les nouveaux appareils. Pour trouver des pièces de rechange spécifiées d'origine dans votre région, communiquez avec le centre de service désigné le plus près de chez vous.

## N'oubliez pas de noter les renseignements de votre modèle.

Vous devez avoir le numéro de modèle et le numéro de série en entier lorsque vous téléphonez pour obtenir de l'entretien.

Ces renseignements se trouvent sur l'étiquette du modèle et du numéro de série. Consultez « Exigences en matière d'électricité » pour trouver l'emplacement de l'étiquette du modèle et du numéro de série.

Veuillez prendre en note le numéro du modèle et le numéro de série. De plus, prenez aussi en note la date d'achat de votre appareil ainsi que le nom, l'adresse et le numéro de téléphone du magasin.

Numéro de modèle \_\_\_\_\_

Numéro de série \_\_\_\_\_

Date d'achat \_\_\_\_\_

Nom du magasin \_\_\_\_\_

Adresse du magasin \_\_\_\_\_

Téléphone du magasin \_\_\_\_\_

Veuillez conserver ce guide ainsi que le reçu de caisse à des fins de référence ultérieure.

## Aux États-Unis

Visitez [www.haieramerica.com](http://www.haieramerica.com) ou téléphonez sans frais à Haier America : **1-877-337-3639**.

### Nos consultants sont en mesure de vous assister au sujet des éléments suivants :

- Caractéristiques et spécifications de nos appareils.
- Renseignements sur l'installation.
- Procédure d'utilisation et d'entretien.
- Vente de pièces de réparation.
- Référence à des distributeurs de pièces de réparation et des entreprises de service. Les techniciens de service autorisés du fabricant ont reçu la formation pour la prestation des services couverts par la garantie et après-vente du produit, partout aux États-Unis.

### Pour obtenir plus d'assistance

Si vous avez besoin de plus d'assistance, vous pouvez nous écrire pour poser toute question ou nous faire part de problèmes à :

Haier America,  
Wayne, NJ 07470

Dans votre correspondance, veuillez inclure un numéro de téléphone auquel nous pouvons vous joindre pendant la journée.

## Au Canada

Visitez [www.haieramerica.com](http://www.haieramerica.com) ou téléphonez sans frais à Haier America : **1-877-337-3639**.

### Nos consultants sont en mesure de vous assister au sujet des éléments suivants :

- Caractéristiques et spécifications de nos appareils.
- Renseignements sur l'installation.
- Procédure d'utilisation et d'entretien.
- Vente de pièces de réparation.
- Référence à des distributeurs de pièces de réparation et des entreprises de service. Les techniciens de service autorisés du fabricant ont reçu la formation pour la prestation des services couverts par la garantie et après-vente du produit, partout au Canada.

### Pour obtenir plus d'assistance

Si vous avez besoin de plus d'assistance, vous pouvez nous écrire pour poser toute question ou nous faire part de problèmes à :

Haier America,  
Wayne, NJ 07470

Dans votre correspondance, veuillez inclure un numéro de téléphone auquel nous pouvons vous joindre pendant la journée.

# GARANTIE LIMITÉE

## GARANTIE LIMITÉE D'UN AN

La présente garantie couvre l'ensemble des vices de fabrication ou de matériaux relativement aux pièces mécaniques et électriques (y compris les coûts de main-d'œuvre) de ce produit pour une période de 12 mois à partir de la date d'achat. Dans le cas des utilisations commerciales ou locatives, la garantie est de 90 jours. Vous devez conserver et être en mesure de présenter votre reçu d'achat original en tant que preuve pour la date d'achat.

## GARANTIE LIMITÉE DE CINQ ANS SUR LE SYSTÈME SCELLÉ

Le système scellé et le compresseur (le compresseur hermétique, le condensateur et l'évaporateur) dans ce produit sont assortis d'une garantie de 5 ans à partir de la date d'achat (à l'exclusion des coûts de main-d'œuvre après la période initiale de 12 mois). Dans les contextes d'utilisation commerciale ou locative, la garantie limitée additionnelle du compresseur est d'un an et 9 mois (sauf les coûts de main-d'œuvre après la période de 90 jours). Vous devez conserver et être en mesure de présenter votre reçu d'achat original en tant que preuve pour la date d'achat.

## PERSONNES COUVERTES

L'acheteur de détail original de ce produit de Haier.

## SERVICES COUVERTS

Haier réparera ou remplacera toute pièce mécanique ou électrique du compresseur qui s'avère défectueuse dans le cadre d'un usage résidentiel normal pendant une période de 12 mois. Haier America réparera ou remplacera (à l'exclusion des coûts de main-d'œuvre) le système scellé et le compresseur (pièces seulement) pour une période additionnelle de 4 ans.

## COMMENT OBTENIR DU SERVICE

Communiquer avec le centre de service autorisé de Haier le plus près de chez soi. Pour connaître le centre de service autorisé le plus près, communiquer avec Haier America au **1-877-337-3639**.

Toute réparation ou entretien doit être effectué par un centre de service autorisé de Haier.

## CETTE GARANTIE NE COUVRE PAS

1. Les dommages imputables à une installation inadéquate.
2. Les dommages subis par l'appareil pendant l'expédition.
3. Les défauts autres que ceux issus de la fabrication.
4. Les dommages causés par l'emploi incorrect ou abusif, les accidents, les modifications, l'entretien et le soin inadéquats de l'appareil, ou encore un voltage incorrect.
5. Les dommages subis ailleurs que dans le cadre d'une utilisation domestique.
6. Les dommages découlant d'un entretien effectué ailleurs que chez un détaillant ou un dépositaire autorisé.
7. Les bordures décoratives ou les ampoules remplaçables.
8. La main-d'œuvre, le service, le transport et les frais d'expédition pour le retrait et l'installation de pièces de remplacement des pièces défectueuses au-delà de la période initiale de 12 mois.
9. Tout crédit ou remboursement pour un produit acheté depuis plus de 30 jours, ou toute perte ou blessure causée par le produit ou par des défauts au produit dont, entre autres, les dommages consécutifs ou indirects.
10. Les aliments perdus en raison d'avaries découlant directement d'une défaillance mécanique du produit ou de tout retard dans la fourniture de l'entretien, des réparations ou d'un remplacement.
11. Les produits remis à neuf achetés comme neufs ou usagés.

## LA PRÉSENTE GARANTIE LIMITÉE EST DONNÉE EN GUISE ET LIEU DE TOUTE AUTRE GARANTIE, EXPRESSE OU TACITE, Y COMPRIS LES GARANTIES DE VALEUR MARCHANDE ET D'ADAPTATION À UN USAGE PARTICULIER.

Le recours fourni par la présente garantie est exclusif et accordé en remplacement de tout autre recours. Cette garantie ne couvre pas les dommages indirects ou consécutifs. Certains États ou provinces ne permettent pas d'exclusion relativement aux dommages directs ou indirects. Par conséquent, cette limitation peut ne pas s'appliquer à votre situation. Certains États ou provinces n'allouent pas de limites concernant la durée d'une garantie implicite, alors ces limites ne s'appliquent peut-être pas à vous. Cette garantie vous accorde des droits légaux précis, et vous pourriez aussi avoir d'autres droits qui varient d'un État à l'autre.

La présente garantie couvre les appareils de la zone continentale des États-Unis, de Porto Rico et du Canada.

# SEGURIDAD DEL AIRE ACONDICIONADO

## Su seguridad y la de otras personas es muy importante.

Este manual y el aparato contienen una gran cantidad de mensajes importantes relacionados con la seguridad. Lea y respete siempre todos los mensajes de seguridad.



Este es el símbolo de alerta de seguridad.

Este símbolo le advierte sobre posibles riesgos que pueden producir la muerte o lesiones a usted y otras personas.

Todos los mensajes de seguridad se presentan acompañados del símbolo de alerta de seguridad y de la palabra "PELIGRO" o "ADVERTENCIA",

Estas palabras significan lo siguiente:

**⚠ PELIGRO**

**Usted puede morir o sufrir una lesión grave si no sigue las instrucciones de inmediato.**

**⚠ ADVERTENCIA**

**Usted puede morir o sufrir una lesión grave si no sigue las instrucciones.**

Todos los mensajes de seguridad le indican cuál es el posible riesgo, cómo disminuir las probabilidades de sufrir una lesión y qué puede suceder si no se siguen estas instrucciones.

## INSTRUCCIONES IMPORTANTES DE SEGURIDAD

**ADVERTENCIA:** Para reducir el riesgo de incendios, descargas eléctricas o lesiones cuando use el aire acondicionado, siga estas precauciones fundamentales:

- Enchufe en un tomacorriente de 3 clavijas.
- No quite la clavija de conexión a tierra.
- No use un adaptador.
- No use un cable de extensión.
- Desenchufe el aire acondicionado antes de realizar las tareas de servicio.
- Dos personas o más deben mover e instalar el aire acondicionado.

**GUARDE ESTAS INSTRUCCIONES**

# INSTRUCCIONES DE INSTALACIÓN

## ⚠ PRECAUCIÓN

Hay bordes filosos que podrían provocar cortes graves. Cuando cargue el aire acondicionado, recuerde que es PESADO, se requieren dos personas para cargarlo.

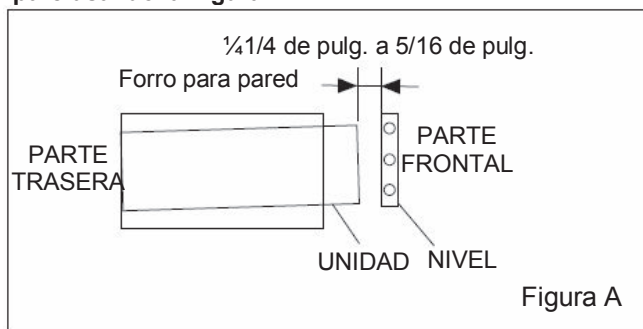
Para las construcciones nuevas, es necesaria la instalación del forro aislante para pared de Haier.

Retire el aire acondicionado anterior y revise el forro para comprobar lo siguiente: **Instalación:** Asegúrese de que el forro aislante se haya instalado de manera segura y que la estructura esté en buenas condiciones.

**Dimensiones:** Mida el espacio para asegurarse de que el aire acondicionado cabe perfectamente.

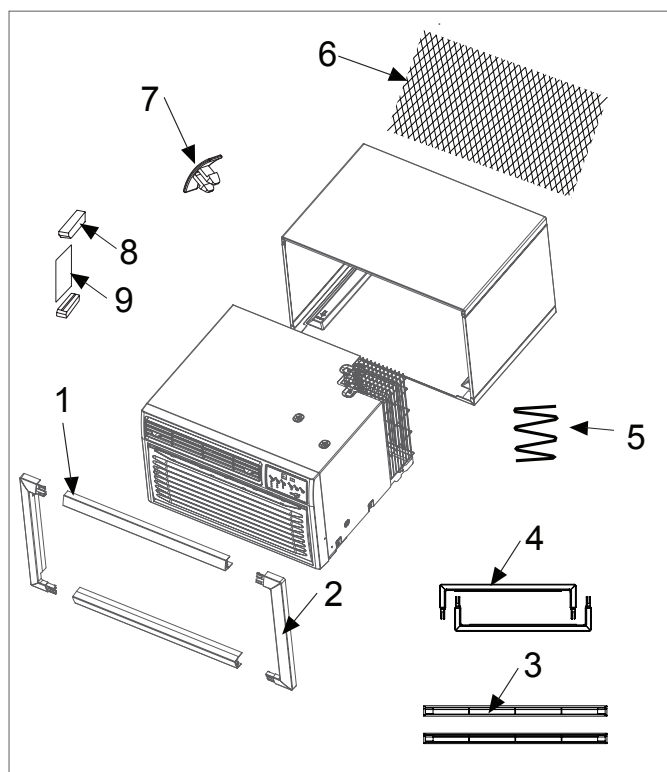
**Pendiente:** Debe haber una inclinación hacia la parte posterior para compensar el drenado desde la parte trasera del forro aislante.

Compare usando la Figura A.



**Fabricante:** Para poder determinar el método de instalación. Si hay alguna duda sobre la instalación y la pendiente, se recomienda retirar e instalar de manera correcta un forro aislante para pared de Haier.

Revise el contenido de los accesorios que se incluyen con el aire acondicionado, como se muestra a continuación:



Número	Nombre de la parte	CANT.
1	Moldura ancha superior/inferior	2
2	Moldura ancha lateral	2
3	Moldura estrecha superior/inferior	2
4	Moldura estrecha lateral	2
5	Cinta de espuma	1
6	Rejilla posterior de ajuste universal	1
7	Abrazadera De Goma	4
8	Bloque espaciador cónico	2
9	Placa	1

## Instalación

1. Identifique el forro aislante para pared existente antes de instalar la unidad, a partir de la siguiente lista.

Marca	Dimensiones del forro aislante para pared (en pulgadas)		
	Ancho	Altura	Profundidad
Haier Amana	25-13/32	15-3/4	127-1/2
Haier Amana	25-7/8	15-9/16	116-3/4
White-westinghouse Frigidaire Carrier (línea 52F)	25-1/2	15-1/4	16, 17-1/2 o 22
General Electric/Hotpoint	26	15-5/8	16-7/8
Whirlpool	25-7/8	16-1/2	17-1/8
Fedders/Emerson	27	16-3/4	116-3/4 o 19-3/4
Sears/Kenmore	25-7/8	15-17/32	16-23/32
Carrier (línea 51S)	25-3/4	16-7/8	18-5/8
Emerson/Fedders	26-3/4	15-3/4	15
Friedrich	27	16-3/4	16-3/4
LG	25-7/8	15-17/32	16-23/32

**Nota:** Todos los forros aislantes para pared que se usen para montar el aire acondicionado nuevo deben estar en buenas condiciones estructurales y contar con una rejilla posterior que se una de manera segura al forro aislante o a la brida posterior que sirve como tope para el aire acondicionado.

2. Limpie el interior del forro aislante (sin modificar los sellos).
3. Vuelva a pintar el forro aislante, si es necesario.
4. Para mejor rendimiento y eficiencia de energía, reemplace la rejilla tipo persiana trasera existente con la malla plástica provista en el paquete. Mida y corte la rejilla de plástico para encajar y colóquela dentro del soporte para pared contra la pestaña posterior. Consulte la Figura. B

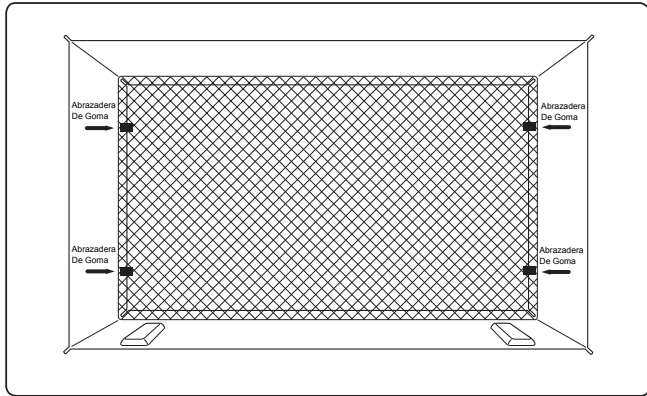


Figura.B

Si su soporte existente tiene una rejilla trasera y quiere conservarla: redireccione las persianas en un ángulo de 60 como se muestra en la Figura. C.

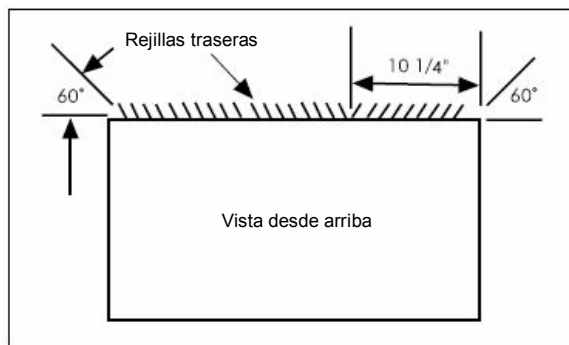


Figura C

5. Si la profundidad del forro aislante para pared existente es de 20 pulgadas o menos, vaya al paso 7. De lo contrario, corte las pantallas y los bloques de soporte conforme a la longitud "A" en la siguiente tabla.

Profundidad "D" del forro aislante para pared existente (pulg.)	Longitud "A" (pulgadas)
$20 < D \leq 20\frac{5}{8}$	$\frac{3}{4}$
$20\frac{5}{8} < D \leq 21\frac{3}{4}$	$1-\frac{3}{4}$
$21\frac{3}{4} < D \leq 24$	4

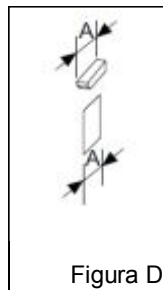


Figura D

6. Retire la base de los bloques de soporte y únalos al interior del forro aislante para pared, como se muestra en la Figura E. Deslice las pantallas dentro de las ranuras de los bloques de soporte.

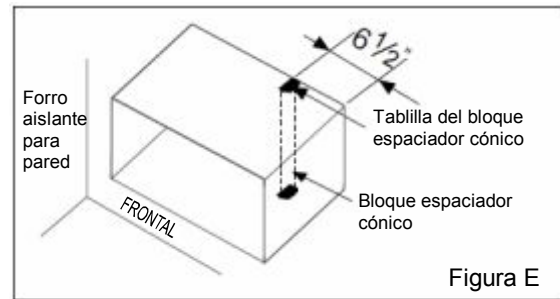


Figura E

7. Instale la unidad nueva en el forro aislante para pared.

8. Instale el sello estructural de 1 pulg. x 1 pulg. y media x 84 pulg. de longitud, entre el forro aislante para pared y la unidad.

9. Para instalar la moldura, ajuste la pestaña de cada pieza dentro de la ranura de la otra pieza, como se muestra abajo. Se incluyen dos molduras junto con la unidad.

Deslice la moldura sobre la parte delantera del aire acondicionado hasta que quede al ras con el forro, como se muestra abajo.

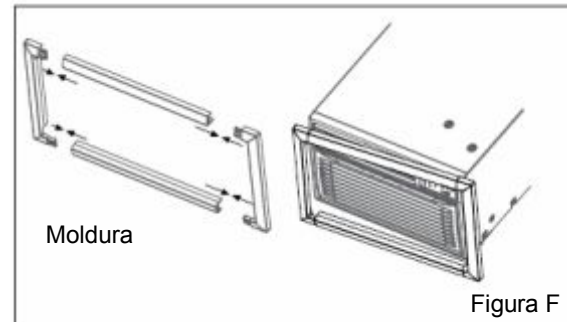


Figura F

Nota: Asegúrese de colocar el cable a lo largo del marco de la moldura antes de colocarla en la unidad.

## USO DEL AIRE ACONDICIONADO

La puesta en funcionamiento de manera adecuada del aire acondicionado le permite obtener los mejores resultados posibles.

Esta sección explica cómo poner correctamente en funcionamiento el aire acondicionado.

### IMPORTANTE:

- Si apaga el aire acondicionado, espere por lo menos 3 minutos antes de encenderlo de nuevo. Esto evita que el aire acondicionado funda un fusible o dispare el interruptor de carga.

- No intente poner en funcionamiento el aire acondicionado en el modo COOL (enfriar) cuando la temperatura exterior sea menor a los 61 °F (16 °C). El serpentín del evaporador interior se congelará y el aire acondicionado no funcionará correctamente.

### Cómo se enciende el aire acondicionado



La puesta en funcionamiento de manera adecuada el aire acondicionado le permite obtener los mejores resultados posibles.

Esta sección explica cómo hacer funcionar este aire acondicionado.

### IMPORTANTE:

Cuando apague el aire acondicionado, ya sea desde el tablero de control o con el control remoto, espere por lo menos 3 minutos antes de volver a encenderlo. Esto evita que el compresor se sobrecargue. Esta espera de 3 minutos también se aplica cuando se cambia del modo de espera al de ventilación y a la inversa.

No ponga en funcionamiento el aire acondicionado en el modo Cool cuando la temperatura exterior sea menor a los 61 °F (16 °C). El serpentín del evaporador interior se congelará y el aire acondicionado no funcionará correctamente.

## ENCENDIDO DEL AIRE ACONDICIONADO (continuación)

- Quite con cuidado la película de plástico transparente del tablero de control.
- Oprima POWER (encendido) una vez para encender el aire acondicionado.

**NOTA:** Cuando el aire acondicionado se conecte por primera vez, la pantalla LED mostrará "88" durante 3 segundos.

Después de encender el aire acondicionado por primera vez, la pantalla mostrará la temperatura de 72 °F y el ventilador se colocará automáticamente en Low speed (velocidad baja) y el indicador de modo mostrará ENERGY SAVE (ahorro de energía).

**NOTA:** Para cambiar la temperatura entre grados Fahrenheit (F) y Celsius (C) en la pantalla, debe conectar el aire acondicionado y encenderlo. En el tablero de control, en la parte frontal del aire acondicionado, oprima los botones UP (ARRIBA) y DOWN (ABAJO) al mismo tiempo y manténgalos oprimidos durante 3 segundos. El cambio no se puede hacer con el control remoto.

3. Seleccione Mode (modo). Consulte "Mode".
4. Seleccione Speed (velocidad). Consulte "Speed".
5. Ajuste el temporizador. Consulte "Temp/Time" (temperatura/temporizador).
6. Reestablezca el filtro. Consulte "Filter Reset" (Reestablecimiento de filtro).

### MODE (modo)

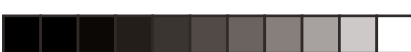
- Oprima MODE hasta que vea que la luz indicadora pasa a la siguiente configuración deseada.
- Elija Fan (ventilación), Energy Save, Cool o Dehum (deshumidificar).

**FAN:** Sólo hace funcionar el ventilador. Oprima SPEED (velocidad) para seleccionar la velocidad del ventilador: High (alta), Med (media) o Low (baja). La pantalla muestra la temperatura actual de la habitación.

**ENERGY SAVE:** En este modo el ventilador funciona únicamente cuando se requiere el enfriamiento.

El ventilador funcionará durante 3 minutos después de que el compresor se apague. Posteriormente el ventilador se encenderá en ciclos de 2 minutos en intervalos de 10 minutos hasta que la temperatura en la habitación esté por encima de la temperatura establecida. Después el compresor se enciende de nuevo.

**COOL:** Enfría la habitación. Oprima SPEED para seleccionar la velocidad del ventilador: High, Med o Low. Oprima el botón con la flecha hacia arriba o hacia abajo TEMP/TIME (temperatura/tiempo) para ajustar la temperatura.



**DEHUM:** Ayuda a eliminar la humedad de la habitación. Este ajuste NO enfriará la habitación.

**NOTA:**

- El modo Dehum no debe utilizarse para enfriar la habitación.

**SPEED (velocidad).**

1. Oprima FAN SPEED (velocidad del ventilador) hasta que vea que la luz indicadora pasa a la siguiente configuración deseada.
2. Elija High, Med o Low.

**HIGH:** para enfriar al máximo.

**MED:** para un enfriamiento normal.

**LOW:** para enfriar al mínimo.

**TIMER (temporizador)**

Para ajustar que el aire acondicionado se apague entre 1 hora y 24 horas (El aire acondicionado debe estar en encendido, ON, para poder ajustarse):

1. Oprima TIMER. Se encenderá la luz indicadora Timer Off. La pantalla mostrará las horas restantes antes de que el aire acondicionado se apague.
2. Oprima el botón con la flecha hacia arriba o hacia abajo TEMP/TIME para cambiar el tiempo de demora de 1 hasta 24 horas.
3. Después de 5 segundos, la luz indicadora Timer Off permanecerá encendida. La pantalla mostrará el tiempo restante para que se apague el temporizador.

Para programar el aire acondicionado de modo que se encienda dentro de un intervalo de entre una y 24 horas:

1. Oprima TIMER. Se encenderá la luz indicadora Timer On. La pantalla mostrará las horas restantes antes de que el aire acondicionado se encienda.
2. Oprima el botón con la flecha hacia arriba o hacia abajo TEMP/TIME para cambiar el tiempo de demora de 1 hasta 24 horas.
3. La luz indicadora Timer On permanecerá encendida.

**PARA BORRAR EL PROGRAMA DEL TEMPORIZADOR:**

**NOTA:** El aire acondicionado puede estar encendido o apagado.

Oprima TIMER hasta que la luz indicadora del temporizador se apague.

**PARA VER O CAMBIAR EL TIEMPO RESTANTE (EN HORAS):**

**TIMER OFF (TEMPORIZADOR APAGADO)**

1. Oprima el botón con la flecha hacia arriba o hacia abajo TEMP/TIME para aumentar o disminuir el tiempo.
2. Después de 5 segundos, la pantalla mostrará el tiempo restante para que se apague (OFF) el temporizador.

**TIMER ON (TEMPORIZADOR ENCENDIDO)**

1. La pantalla mostrará el tiempo restante.
2. Oprima el botón con la flecha hacia arriba o hacia abajo TEMP/TIME para aumentar o disminuir el tiempo.
3. Después de 5 segundos, la pantalla mostrará el tiempo restante para que se encienda el temporizador.

**TEMP/TIME (temperatura/hora)**

1. Oprima el botón con la flecha hacia arriba TEMP/TIME para aumentar la temperatura. Cada vez que oprima el botón con la flecha hacia arriba TEMP/TIME, la temperatura aumentará 1 °F hasta que llegue a los 86 °F (30 °C).
2. Oprima el botón con la flecha hacia abajo TEMP/TIME para disminuir la temperatura. Cada vez que oprima el botón con la flecha hacia abajo TEMP/TIME, la temperatura disminuirá 1 °F hasta que llegue a los 61 °F (16 °C).

**NOTA:** Después de 5 segundos, en el modo Fan (ventilador), la pantalla mostrará la temperatura actual. En el modo Cool, Energy Save o Deum, la pantalla mostrará la temperatura establecida.



## FILTER RESET (RESTABLECIMIENTO DEL FILTRO)

Esta característica le notifica de manera automática que el filtro de aire debe limpiarse. La luz indicadora se encenderá después de 240 horas de funcionamiento. Limpie el filtro de aire (consulte la sección de Cuidado y limpieza), colóquelo de nuevo en el tablero frontal y presione el botón Filter Reset (restablecimiento del filtro). La luz se apagará.

## USO DEL CONTROL REMOTO

**NOTA:** Los puntos en relieve son Braille para los discapacitados visuales.

El control remoto puede tener una apariencia diferente al de la imagen mostrada.

**NOTA:** Retire y deseche la película protectora antes de su uso. Este control remoto funciona con una batería CR2025 (incluida). Reemplace la batería después de 6 meses de uso, o bien, cuando el control remoto comience a perder energía. Para reemplazar la batería, retire primero el tornillo en el panel posterior del control remoto.

### POWER (suministro)

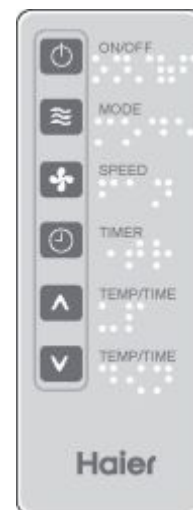
Oprima ON/OFF para encender el aire acondicionado.

Modo

Presione MODE para elegir Fan, Energy Save, Cool o Dehum.

Speed

Oprima SPEED para elegir High, Med o Low.



### TIMER

Para ajustar el aire acondicionado para que se apague después de una cantidad determinada de horas, entre 1 y 24 (la unidad debe estar encendida):

1. Oprima TIMER. Se encenderá la luz indicadora Timer OFF del tablero de control del aire acondicionado.
2. Oprima el botón con la flecha hacia arriba o hacia abajo TEMP/TIME para cambiar el tiempo de demora desde 1 y hasta 24 horas.
3. Después de 5 segundos, permanecerá encendida la luz indicadora Timer OFF del tablero de control del aire acondicionado.

### PARA PROGRAMAR EL AIRE ACONDICIONADO DE MODO QUE SE ENCIENDA DENTRO DE UN INTERVALO DE ENTRE UNA Y 24 HORAS:

1. Oprima TIMER. Se encenderá la luz indicadora Timer On del tablero de control del aire acondicionado.
2. Oprima el botón con la flecha hacia arriba o hacia abajo TEMP/TIME para cambiar el tiempo de demora desde 1 y hasta 24 horas.
3. Después de 5 segundos, permanecerá encendida la luz indicadora Timer On del tablero de control del aire acondicionado.



## **PARA BORRAR EL PROGRAMA DE DEMORA:**

**NOTA:** El aire acondicionado puede estar encendido o apagado.

Oprima **TIMER** hasta que la luz indicadora del temporizador se apague.

## **PARA VER O CAMBIAR EL TIEMPO RESTANTE (EN HORAS):**

### **TIMER OFF (TEMPORIZADOR APAGADO):**

1. Oprima el botón con la flecha hacia arriba o hacia abajo **TEMP/TIME** para aumentar o disminuir el tiempo.
2. Después de 5 segundos, la pantalla del tablero de control del aire acondicionado mostrará el tiempo restante para que se apague el temporizador.

### **TIMER ON (TEMPORIZADOR ENCENDIDO):**

1. La pantalla del tablero de control del aire acondicionado mostrará el tiempo restante.
2. Oprima el botón con la flecha hacia arriba o hacia abajo **TEMP/TIME** para aumentar o disminuir el tiempo.

### **TEMP/TIME**

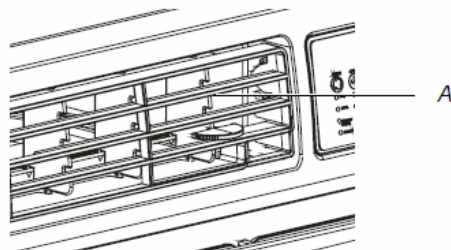
- Oprima el botón con la flecha hacia arriba **TEMP/TIME** para aumentar la temperatura. Cada vez que oprima el botón con la flecha hacia arriba **TEMP/TIME**, la temperatura aumentará 1 °F hasta que llegue a los 86 °F (30 °C).
- Oprima el botón con la flecha hacia abajo **TEMP/TIME** para disminuir la temperatura. Cada vez que oprima el botón con la flecha hacia abajo **TEMP/TIME**, la temperatura disminuirá 1 °F hasta que llegue a los 61 °F (16 °C).





## Cambio de la dirección del aire

**Flujo de aire en cuatro direcciones:** Las rejillas direccionales de aire permiten controlar la dirección del flujo de aire hacia la dirección deseada. El flujo de aire se puede dirigir hacia arriba o hacia abajo y hacia la derecha o izquierda.



A. Flujo de aire en cuatro direcciones

## Sonidos normales

Cuando el aire acondicionado esté funcionando normalmente, es posible que escuche sonidos como los siguientes:

- Gotas de agua que caen sobre el condensador, lo que produce un sonido metálico o un chasquido. Las gotas de agua ayudan a que el condensador se enfríe.
- Movimiento de aire que se origina en el ventilador.
- Chasquidos que se originan por el ciclo del termostato.
- Vibraciones o ruido producido por una construcción deficiente de la pared o la ventana.
- Zumbidos agudos o ruidos palpitantes producidos por el compresor moderno de alta eficiencia, al iniciar y finalizar su ciclo.

## CUIDADO DEL AIRE ACONDICIONADO

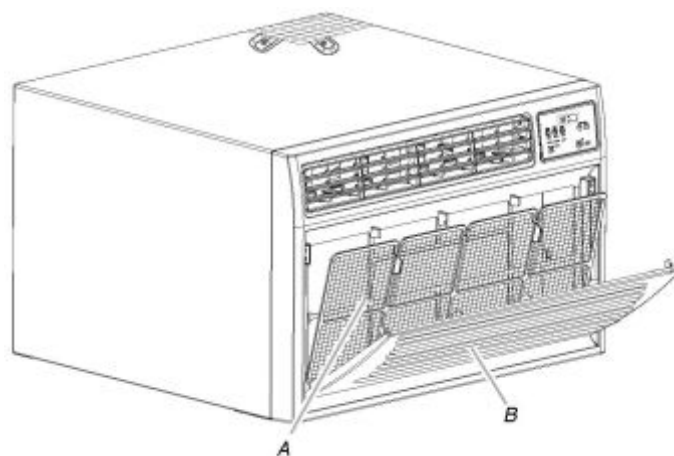
Su nuevo aire acondicionado está diseñado para ofrecerle muchos años de servicio confiable. En esta sección se explica cómo limpiar y cuidar adecuadamente el aire acondicionado.

### Limpieza del filtro de aire

Para facilitar la limpieza, se puede quitar el filtro de aire. Un filtro limpio contribuye a eliminar el polvo, las pelusas y otras partículas del aire, además de que es importante para obtener un mejor enfriamiento y un funcionamiento eficaz. Revise el filtro cada 2 semanas para determinar si necesita limpieza.

**NOTA:** No haga funcionar el aire acondicionado sin colocar el filtro en su lugar.

1. Apague el aire acondicionado.
2. Para quitar el filtro de aire, abra el panel frontal y saque el filtro de aire.



A. Filtro de aire  
B. Panel frontal

3. Utilice una aspiradora para limpiar el filtro de aire. Si el filtro de aire está muy sucio, lávelo con agua tibia y un detergente suave. No lave el filtro de aire en el lavavajillas ni utilice limpiadores químicos. Déjelo secar al aire completamente antes de volver a colocarlo, a fin de garantizar su máximo rendimiento.
4. Vuelva a colocar el filtro de aire.
5. Cierre el panel frontal.
6. Encienda el aire acondicionado.

## Limpieza del panel frontal

1. Apague el aire acondicionado.
2. Limpie el panel frontal con un paño húmedo suave.
3. Déjelo secar al aire completamente.
4. Encienda el aire acondicionado.

## Mantenimiento anual

### Aire acondicionado

Su aire acondicionado requiere mantenimiento anual para garantizar un funcionamiento óptimo y estable todo el año. Llame a su distribuidor autorizado local para programar una revisión anual. Usted debe pagar los gastos de la inspección anual.

# SOLUCIÓN DE PROBLEMAS

Antes de solicitar servicio de mantenimiento, intente realizar las siguientes sugerencias, para ver si usted puede solucionar el problema sin ayuda externa.

### El aire acondicionado no funciona.

**⚠ ADVERTENCIA**



**Riesgo de descarga eléctrica**

**Enchufe en un tomacorriente de 3 clavijas.**

**No quite la clavija de conexión a tierra.**

**No use un adaptador.**

**No use un cable de extensión.**

**De no seguir estas instrucciones, se puede producir la muerte, un incendio o una descarga eléctrica.**

- **El cable de suministro eléctrico está desenchufado.** Enchufe en un tomacorriente de 3 clavijas. Véase “Requisitos eléctricos”.

- **El cable de suministro eléctrico se disparó (el botón Reset se elevó).** Oprima y suelte RESET (espere escuchar un clic; el botón Reset se bloqueará y en algunos dispositivos se encenderá una luz verde) para reanudar el funcionamiento.
- **Se fundió un fusible doméstico o se disparó el interruptor de carga.** Reemplace el fusible o restablezca el interruptor de carga. Si el problema continúa, llame a un electricista. Véase “Requisitos eléctricos”.
- **El botón POWER no se ha oprimido o la perilla de control de modo está apagada.** Oprima POWER o gire la perilla de control de modo a una configuración activa.
- **Hubo una interrupción del suministro eléctrico local.** Espere a que el suministro eléctrico se restablezca.

### El aire acondicionado funde fusibles o dispara los interruptores de carga.

- **Se están utilizando demasiados aparatos en el mismo circuito.** Desenchufe los aparatos que comparten el mismo circuito o cámbielos de lugar.
- **Se está utilizando un fusible de retardo o un interruptor de carga de la capacidad incorrecta.** Reemplace el fusible de retardo o el interruptor de carga con uno de la capacidad correcta. Véase “Requisitos eléctricos”.



- **Se está usando un cable de extensión.** No use un cable de extensión con este ni con ningún otro aparato.
- **Está intentando volver a poner en marcha el aire acondicionado demasiado pronto después de haberlo apagado.** Espere por lo menos 3 minutos después de apagar el aire acondicionado antes de intentar volver a ponerlo en marcha.

**El cable de suministro eléctrico del aire acondicionado se dispara (el botón Reset se eleva).**

- **El cable de suministro eléctrico puede dispararse (el botón Reset se eleva) debido a alteraciones en la corriente eléctrica.** Oprima y suelte RESET (espere escuchar un clic; el botón Reset se bloqueará y en algunos dispositivos se encenderá una luz verde) para reanudar el funcionamiento.
- **El cable de suministro eléctrico puede dispararse (el botón Reset se eleva) debido a sobrecarga eléctrica, sobrecalentamiento, compresión del cable o desgaste.** Después de corregir el problema, oprima y suelte RESET (espere escuchar un clic; el botón Reset se bloqueará y en algunos dispositivos se encenderá una luz verde) para reanudar el funcionamiento.

**NOTA:** Si el cable de suministro eléctrico está dañado, debe sustituirse con uno nuevo que se obtenga del fabricante del producto. No debe repararse.

**El aire acondicionado parece funcionar demasiado tiempo.**

- **El aire acondicionado actual sustituyó a un modelo más antiguo.** El uso de componentes más eficientes puede provocar que el aire acondicionado funcione más tiempo que el modelo anterior, pero el consumo de energía total será menor. Los modelos más nuevos de aire acondicionado no emiten la "ráfaga" de aire frío a la que usted puede estar acostumbrado debido a los modelos más antiguos de aire acondicionado, pero esto no indica una menor capacidad de enfriamiento o de eficacia. Consulte el índice de eficiencia (*Energy Efficiency Rating*, EER) y de capacidad (en Btu/h) impresos en el aire acondicionado.
- **El aire acondicionado está en una habitación con alta ocupación o en la habitación se están utilizando aparatos que generan calor.** Utilice ventiladores de extracción de aire mientras cocina o se baña, e intente no utilizar aparatos que generen calor durante el momento más caluroso del día. Es posible que se requiera un aire acondicionado de mayor capacidad, según el tamaño de la habitación que se va a enfriar.

**El ciclo del aire acondicionado inicia y finaliza con demasiada frecuencia o no enfría la habitación en modo de enfriamiento.**

- **El aire acondicionado no es del tamaño adecuado para la habitación.** Compruebe las capacidades de enfriamiento del aire acondicionado de uso doméstico. Los aires acondicionados de uso doméstico no están diseñados para enfriar varias habitaciones.
- **El filtro está sucio u obstruido por residuos.** Limpie el filtro.
- **Hay demasiado calor o humedad (se cocina con recipientes destapados, hay regaderas, etc.) en la habitación.** Utilice un ventilador para extraer el calor o la humedad de la habitación. Intente no utilizar aparatos que generen calor durante el momento más caluroso del día.
- Las rejillas están obstruidas. Instale el aire acondicionado en un lugar en el que las rejillas estén libres de cortinas, persianas, muebles, etc.
- **La temperatura exterior es menor a 65°F (18°C).** No intente poner en funcionamiento el aire acondicionado en el modo de enfriamiento cuando la temperatura exterior sea menor a los 65°C (18°C).
- **La temperatura de la habitación que intenta enfriar es extremadamente elevada.** Concédale más tiempo al aire acondicionado para que enfríe una habitación muy caliente.
- **Las ventanas o puertas que dan al exterior están abiertas.** Cierre todas las ventanas y puertas.
- **El control de temperatura no está en un ajuste suficiente de enfriamiento.** Ajuste el control TEMP/TIME en una configuración de mayor enfriamiento oprimiendo el botón hacia abajo para disminuir la temperatura. Configure el control de velocidad del ventilador en el valor más alto.

**Escurre agua del gabinete en la casa.**

- El aire acondicionado no está nivelado correctamente. El aire acondicionado debe estar ligeramente inclinado hacia abajo y hacia el exterior. Nivele el aire acondicionado para que quede una inclinación hacia abajo y hacia el exterior a fin de asegurar que drene correctamente. Véase las instrucciones de instalación.  
**NOTA:** No haga un orificio en la parte inferior de la base metálica ni en la bandeja de condensación.



## ASISTENCIA O SERVICIO

Antes de llamar para solicitar asistencia o servicio, consulte la "Solución de problemas". Esto podría ahorrarle el costo de una llamada de servicio. Si aún necesita ayuda, siga las instrucciones a continuación.

Al llamar, debe saber la fecha de compra, el modelo y el número de serie completos del aparato. Esta información nos ayudará a responder mejor a su solicitud.

### En caso de necesitar refacciones

Si necesita realizar un pedido de refacciones, le recomendamos que utilice sólo las refacciones especificadas por la fábrica. Las refacciones especificadas por la fábrica se adaptarán y funcionarán correctamente debido a que están construidas con la misma precisión que la utilizada en la fabricación de los equipos nuevos. Para localizar las refacciones especificadas por la fábrica en su zona, llame al centro de servicio designado más cercano.

### Anote la información de su modelo.

Siempre que llame para solicitar servicio para su equipo necesitará saber los números de modelo y de serie completos.

Puede encontrar esta información en la etiqueta que tiene los números de serie y de modelo. Véase la sección de "Requisitos eléctricos" para conocer la ubicación de la etiqueta que tiene los números de serie y de modelo.

Anote a continuación los números de serie y de modelo. También debe anotar la fecha de compra del equipo y el nombre de la tienda en que donde se adquirió, con dirección y número de teléfono.

Número de modelo \_\_\_\_\_

Número de serie \_\_\_\_\_

Fecha de compra \_\_\_\_\_

Nombre de la tienda \_\_\_\_\_

Dirección de la tienda \_\_\_\_\_

Teléfono de la tienda \_\_\_\_\_

Guarde este folleto y el comprobante de la compra juntos para referencia futura.

### En los EE. UU.

Visite [www.haieramerica.com](http://www.haieramerica.com) o comuníquese al número gratuito de Haier America: **1-877-337-3639**.

#### Nuestros asesores proporcionan asistencia con:

- Las características y especificaciones de nuestros equipos.
- La información de instalación.
- Los procedimientos de uso y mantenimiento.
- La venta de refacciones.
- Las referencias de los distribuidores de refacciones y las compañías de servicio. Los técnicos de servicio autorizados por el fabricante cuentan con la capacitación para cubrir la garantía del producto y ofrecer el servicio posterior a su vencimiento en cualquier parte de los Estados Unidos.

#### Para asistencia futura

Si requiere asistencia adicional, puede dirigir por escrito cualquier duda o pregunta a:

Haier America,  
Wayne, NJ 07470

Incluya en toda su correspondencia un número de teléfono de contacto durante horas hábiles.

### En Canadá

Visite [www.haieramerica.com](http://www.haieramerica.com) o comuníquese al número gratuito de Haier America: **1-877-337-3639**.

#### Nuestros asesores proporcionan asistencia con:

- Las características y especificaciones de nuestros equipos.
- La información de instalación.
- Los procedimientos de uso y mantenimiento.
- La venta de refacciones.
- Las referencias de los distribuidores de refacciones y las compañías de servicio. Los técnicos de servicio autorizados por el fabricante cuentan con la capacitación para cubrir la garantía del producto y ofrecer el servicio posterior a su vencimiento en cualquier parte de Canadá.

#### Para asistencia futura

Si requiere asistencia adicional, puede dirigir por escrito cualquier duda o pregunta a:

Haier America,  
Wayne, NJ 07470

Incluya en toda su correspondencia un número de teléfono de contacto durante horas hábiles.



# GARANTÍA LIMITADA

## UN AÑO DE GARANTÍA LIMITADA

Esta garantía cubre todos los defectos de mano de obra o materiales de las partes mecánicas y eléctricas (incluye los costos de mano de obra) de este producto durante un período de 12 meses a partir de la fecha de adquisición. Para el uso comercial o de renta, la garantía es de 90 días. Debe guardar y entregar el recibo de venta original como comprobante de la fecha de compra.

## GARANTÍA LIMITADA DE CINCO AÑOS PARA EL SISTEMA SELLADO

La garantía del sistema de sellado y el compresor (compresor hermético, condensador y evaporador) de este producto es válida durante un período de 5 años a partir de la fecha de adquisición (excepto los costos de mano de obra después del período inicial de 12 meses). En el uso comercial o de renta, la garantía limitada adicional del compresor es de 1 año y 9 meses (excluyendo los costos de mano de obra después del período inicial de 90 días). Debe guardar y entregar el recibo de venta original como comprobante de la fecha de compra.

## ¿QUIÉN RECIBE COBERTURA?

La persona que compró originalmente este producto en la tienda.

## ¿QUÉ SE HARÁ?

Haier America reparará o reemplazará cualquier parte mecánica o eléctrica del compresor que resulte defectuosa por uso doméstico normal, durante un período de 12 meses. Haier America reparará o reemplazará (excepto los costos de mano de obra) el sistema de sellado y el compresor (únicamente las partes) durante un período adicional de 4 años.

## ¿CÓMO PUEDE SOLICITAR SERVICIO?

Comuníquese con el almacén de servicio más cercano autorizado por el fabricante. Para obtener el nombre del almacén de servicio más cercano, comuníquese con Haier America al **1-877-337-3639**.

Todo servicio debe ser realizado por un almacén de servicio autorizado por el fabricante.

## ESTA GARANTÍA NO CUBRE

1. Daños por instalación inadecuada.
2. Daños producidos en el envío.
3. Defectos distintos a los de fabricación.
4. Daños por uso incorrecto, maltrato, accidente, alteración, falta de cuidado y mantenimiento adecuados, o corriente o voltaje incorrectos.
5. Daño por uso distinto al doméstico.
6. Daños por un servicio brindado por alguien distinto a un distribuidor o centro de servicio autorizado.
7. Acabados decorativos o bombillas reemplazables.
8. Cargos por mano de obra, servicio, viáticos y transporte para el retiro de partes defectuosas e instalación de las refacciones, después del período inicial de 12 meses.
9. Crédito o reembolso por productos después de 30 días o más a partir de la fecha de adquisición, ni por ninguna pérdida o lesión provocada por el producto o por defectos del producto, que incluyen entre otros, daños incidentales o derivados.
10. Pérdida de alimentos proveniente de alimentos echados a perder como resultado directo de la falla mecánica de un producto o de cualquier demora al proporcionar servicio, reparación o reemplazo.
11. Producto reconstruido adquirido como nuevo o de segunda mano.

## **ESTA GARANTÍA LIMITADA SE OTORGA EN LUGAR DE CUALQUIER OTRA GARANTÍA, EXPRESA O IMPLÍCITA, INCLUSO LAS GARANTÍAS DE COMERCIALIZACIÓN E IDONEIDAD PARA UN FIN EN PARTICULAR.**

La solución ofrecida en esta garantía es exclusiva y se otorga en lugar de cualquier otra solución. Esta garantía no cubre daños incidentales o derivados. Algunos estados no permiten la exclusión por daños incidentales o derivados, de modo que es posible que estas limitaciones no se apliquen en su caso. Algunos estados no permiten limitaciones sobre la duración de una garantía implícita, de modo que es posible que esta limitación no aplique en su caso. Esta garantía le otorga derechos legales específicos y usted también puede tener otros derechos que varían según el estado.

Esta garantía cubre unidades dentro de los Estados Unidos continentales, Canadá y Puerto Rico.



[www.Haier.com](http://www.Haier.com)

Model # HTWR08XCR,HTWR10XCR  
HTWR10VCR,HTWR12XCR,HTWR12VCR  
Issued Date: September 2015

Haier America  
Wayne, NJ 07470  
©2016 Haier America Trading, LLC.