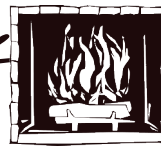
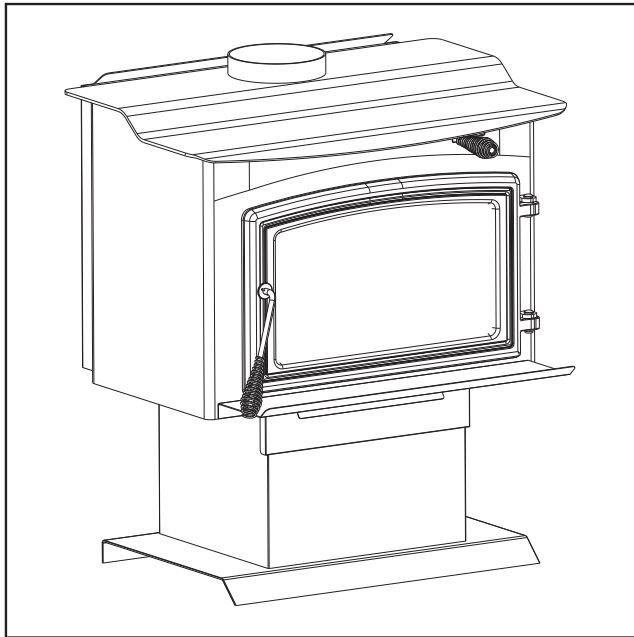


Pleasant Hearth

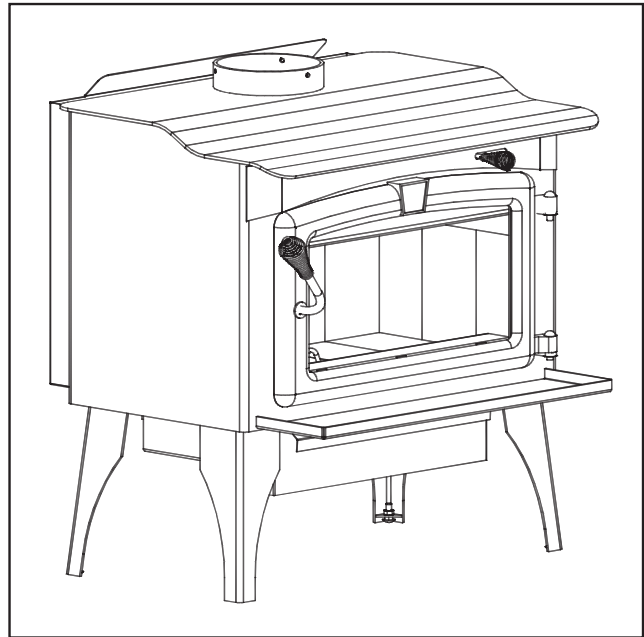


Warming Your Home. Warming Your Heart.

High Efficiency Wood Stove - Large



Model Series:
HWS-230292
WS-3029



Model Series:
LWS-130291

SAFETY NOTICE: IF THIS WOOD BURNING APPLIANCE IS NOT PROPERLY INSTALLED, OPERATED, AND MAINTAINED, A HOUSE FIRE MAY RESULT. TO REDUCE THE RISK OF FIRE, FOLLOW THE INSTALLATION INSTRUCTIONS. FAILURE TO FOLLOW THE INSTALLATION INSTRUCTIONS MAY RESULT IN PROPERTY DAMAGE, BODILY INJURY OR EVEN DEATH. CONTACT LOCAL BUILDING OFFICIALS ABOUT RESTRICTIONS AND INSTALLATION INSPECTION REQUIREMENTS IN YOUR AREA.

WARNING

BEFORE LIGHTING YOUR FIRST FIRE, REMOVE PLASTIC FILM OFF TRIM AND CLEAN THE PLATED SURFACES WITH DENATURED ALCOHOL OR A GOOD QUALITY, NON-ABRASIVE LIQUID GLASS CLEANER. APPLY WITH A VERY SOFT, CLEAN CLOTH. DO NOT USE PAPER TOWELS TO CLEAN THE PLATED PARTS. FAILURE TO CLEAN ALL MARKS AND FINGERPRINTS FROM THE PLATED SURFACES WILL CAUSE PERMANENT DAMAGE.

NOTE: Some states and provinces do not allow the exclusion or limitation of incidental or consequential damages. The above limitations may not apply to you.

This manual describes the installation and operation of the Model HWS-230292, Model WS-3029, and Model LWS-130291 non-catalytic wood heater. This wood heater needs periodic inspection and repair for proper operation. It is against federal regulations to operate this wood heater in a manner inconsistent with operating instructions in this manual.

This stove is listed by OMNI-Test Laboratories of Portland, Oregon to meet UL1482 for the US and ULC-S627 for Canada.

**6" Flue
required**



TESTED TO: UL UL 1482-2011 (R2015)/ULC-S627-00
REPORT NO. 0418WS001S



6440 W. Howard St.
Niles, IL 60714-3302
877-447-4768

Do Not Discard This Manual: Retain for Future Use

Questions, problems, missing parts? Before returning to your retailer, call our customer service department at 877-447-4768 8:30 a.m. - 4:30 p.m. CST, Monday - Friday or e-mail us at customerservice@ghpgroupinc.com.

60-10-001
04/21/2016

CAUTION

After reading these instructions, if you have any doubt about your ability to complete your installation in a professional like manner you should obtain the services of an installer versed in all aspects as to the correct and safe installation. Do not use temporary makeshift compromises during installation.

BEFORE INSTALLATION OF YOUR APPLIANCE

1. Check with the building inspector's office for compliance with local codes; a permit may be required.
 2. The room heater must be connected to 1) a chimney complying with the requirements for Type HT chimneys in the standard for Chimneys, Factory-Built, Residential Type and Building Heating Appliance, UL 103, or in Canada CAN/ULC-S629 Standard for 650 degree C Factory Built Chimneys and applicable building codes or 2) a code-approved masonry chimney with a flue liner.
 3. A 6" (152mm) diameter, 24 gauge Black Steel flue is required for proper performance.
 4. Always connect this unit to a chimney and NEVER vent to another room or inside a building.
 5. DO NOT connect this unit to any duct work to which another appliance is connected such as a furnace.
 6. **DO NOT CONNECT THIS UNIT TO A CHIMNEY FLUE SERVING ANOTHER APPLIANCE.**
 7. The connector pipe and chimney should be inspected periodically and cleaned if necessary.
 8. Remember the clearance distances when you place furniture or other objects within the area. **DO NOT** store wood, flammable liquids or other combustible materials too close to the unit.
- Refer to certification label on back of your unit for required clearances.**
9. Contact your local municipal or provincial fire authority for information on how to handle a chimney fire. Have a clearly understood plan to handle a chimney fire. In the event of a Chimney fire, turn air control to closed position and **CALL THE FIRE DEPARTMENT.**
 10. **DO NOT** tamper with combustion air control beyond normal adjustment.
 11. **DO NOT INSTALL THESE UNITS IN A MOBILE HOME OR TRAILER. THESE UNITS ARE NOT MOBILE HOME APPROVED.**
 12. **DO NOT CONNECT TO ANY AIR DISTRIBUTION DUCT OR SYSTEM.**
 13. When installing a solid fuel appliance, it is also recommended to install Smoke and Carbon Monoxide Detectors on every level of the house. During the initial firing of the appliance, some smoke or odor may occur due to paint curing. You may want to keep some windows open for ventilation during the first few hours of burning to prevent smoke detector activation. Test your smoke and carbon monoxide detectors regularly.

OPERATION

WHY THE CORRECT FLUE SIZE IS IMPORTANT - 6"

Draft is the force which moves air from the appliance up through the chimney. The amount of draft in your chimney depends on the length of the chimney, local geography,

nearby obstructions, and other factors. Too much draft may cause excessive temperatures in the appliance. An uncontrolled burn or a glowing red part or chimney connector indicates excessive draft. Inadequate draft may cause back puffing into the room and "plugging" of the chimney and/or cause the appliance to leak smoke into the room through appliance and chimney connector joints.

Today's solid fuel appliances are more efficient than in the past. The units are designed to give you controlled combustion, and maximum heat transfer, using less fuel to do so. The design of your new appliance is such that the exhaust smoke is now at lower temperatures than in the past, therefore requiring proper chimney size to give adequate draft. If your chimney is too large, the heating appliance will have a difficult time to raise the chimney flue temperature to give adequate draft, therefore causing a smoke back up, poor burn, or both.

Should you experience such a problem call in a local chimney expert.

With the door closed, the rate of burning is regulated by the amount of air allowed to enter the unit through the air control. With experience you will be able to set the control for heat and burning time desired.

Once the required chimney draft is obtained, operate only with doors closed and open doors slowly when re-fueling. (This will reduce or eliminate smoke from entering the room). Attempts to achieve higher output rates that exceed heater design specifications can result in permanent damage to the heater. The recommended wood load is level with the top of the firebricks.

Overloading may prevent sufficient air entering the heater to properly fuel the fire.

Operate this heater only with the door closed.

DO NOT BURN GARBAGE OR FLAMMABLE FLUIDS, SUCH AS GASOLINE, NAPHTHA, OR ENGINE OIL DO NOT USE CHEMICALS OR FLUIDS TO START THE FIRE.

ALWAYS PROVIDE A SOURCE OF FRESH AIR INTO THE ROOM WHERE THE UNIT IS INSTALLED. FAILURE TO DO SO MAY RESULT IN AIR STARVATION OF OTHER FUEL BURNING APPLIANCES AND THE POSSIBLE DEVELOPMENT OF HAZARDOUS CONDITIONS.

HOT WHILE IN OPERATION. KEEP CHILDREN, CLOTHING AND FURNITURE AWAY. CONTACT MAY CAUSE SKIN BURNS.

OPTIONAL BLOWER: MODEL PBAR-2427, 120 VOLTS, 60Hz, 1.0 AMPS, 2900 RPM
DANGER: RISK OF ELECTRIC SHOCK. DISCONNECT POWER BEFORE SERVICING UNIT.
IMPORTANT: FOR OPTIMUM HEATER PERFORMANCE AT LOW BURN RATE, OPERATE THE FAN AT LOW SPEED.

IMPORTANT: It is highly recommended that the wood stove and chimney be installed by a qualified installer. (A qualified installer is a person or entity who regularly installs wood heating products and chimneys, in the ordinary course of their regular business.)



Pedestal Base and Leg Installation

Before Installing Stove, Follow These Steps for Pedestal Base and leg Installation.

Model: HWS-230292

Large Wood Stove w/Pedestal Base

Pedestal base is pre-installed at the factory. No action is required.

Model: WS-3029

Large Wood Stove w/Pedestal Base and Legs

Remove Ash pan and (4) bolts that secure the stove body to the pedestal as shown in Figure 0.

With assistance, lift stove off of pedestal and lay stove on its side on a safe, elevated, padded and level platform that is about 6" off the ground.

Using the bolts that were removed in step 1, bolt each leg to the bottom of the stove as shown in Figure 0.2.

With assistance, lift the stove off of the raised platform, set upright on the legs, and re-install the ash pan.

When stove is in place for installation, make sure stove is level by adjusting the leg levelers shown in Figure 0.3.

Model: LWS-130291

Large Wood Stove w/Legs

Remove ash pan and (4) bolts in angle iron bracket as shown in Figure 0.1.

With assistance, lift stove off of wooden pallet and lay stove on its side on a safe, elevated, padded and level platform that is about 6" off the ground.

Using the bolts that were removed in step 1, bolt each leg to the bottom of the stove as shown in Figure 0.2.

With assistance, lift the stove off of the raised platform, set upright on the legs and re-install the ash pan.

When stove is in place for installation, make sure stove is level by adjusting the leg levelers shown in Figure 0.3.

Figure 0

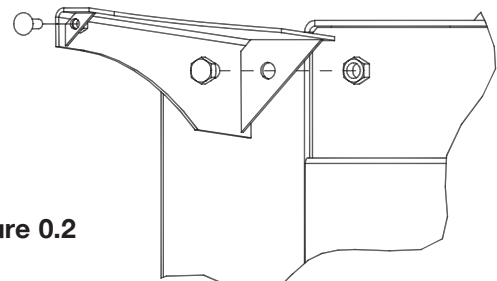
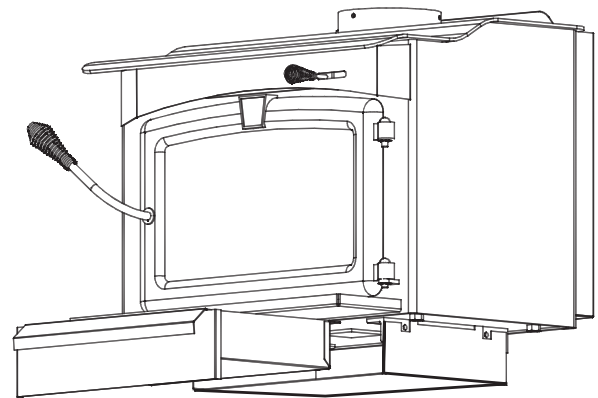
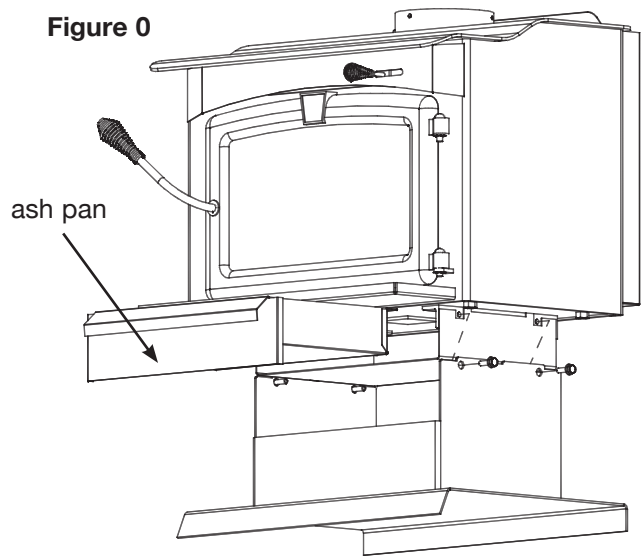


Figure 0.2

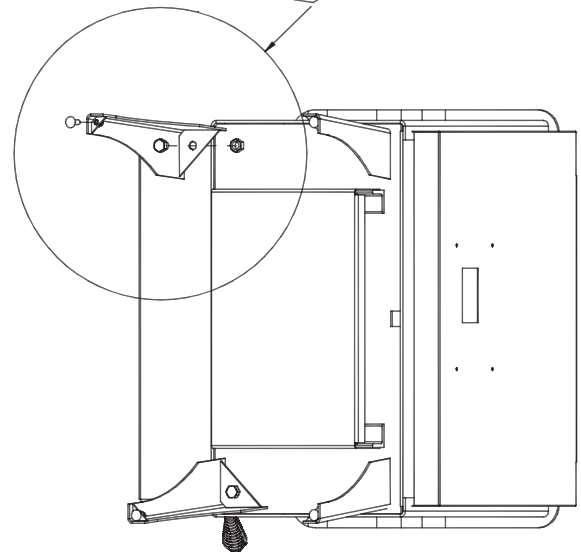
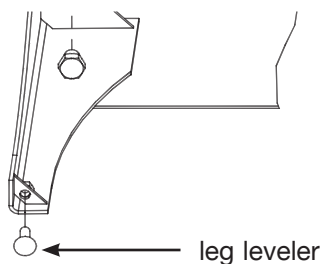


Figure 0.3



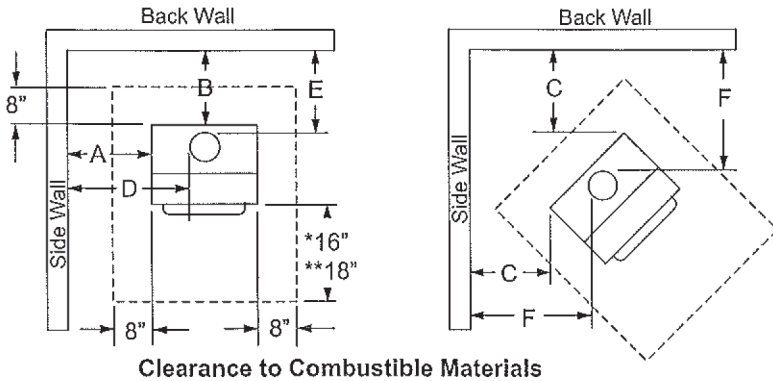
INSTALLATION

Contact your local building inspector prior to installation. A permit may be required in your area.

1. Remove all parts from inside the stove body.
2. Select the proper location for the stove. These appliances must not be installed any closer than the minimum clearance to combustible materials shown in Brick pattern (Figure 1). The stove must be installed on a non combustible surface as shown in Figure 1.

Figure 1

Clearance from Combustible Materials



A minimum clearance of 18" (457 mm) to the chimney connector may be required by the authority having jurisdiction.

From Heater

A. Sidewall 22" (559 mm)
B. Back Wall 16" (406 mm)
C. Corner 12" (305 mm)

From Chimney Connector

D. Sidewall 32" (813 mm)
E. Back Wall 19" (483 mm)
F. Corner 21.5" (546 mm)

Minimum height to ceiling

55" (1397 mm)

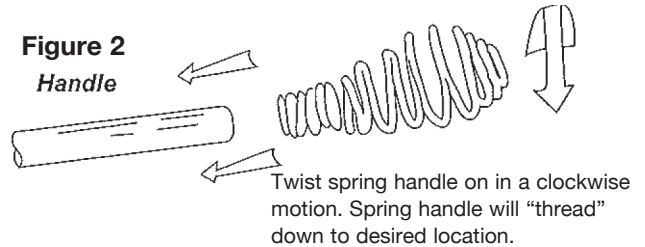
*16" (406 mm) US

**18" (457 mm) Canada

Unit must be placed on a noncombustible floor protection equivalent to 1" millboard. Floor protector must have min. R value of 1.19. Consult your local building authorities for further information.

3. If noncombustible materials have been installed on the walls, obtain the minimum clearances from either the manufacturer of these materials or the local building inspectors office.
4. Install the stovepipe INSIDE the flue collar on the top of the stove between the stove and chimney.
5. DO NOT use a grate to elevate the fire.

Figure 2
Handle



STOVE PIPE

1. A clearance of 18 inches (457mm) between the stovepipe and combustible materials may be required. Check with authorities having jurisdiction in your area.
2. All pipe sections must be connected with the male end (crimped end) toward the stove.
3. Fasten the stove pipe to the flue collar by the use of three sheet metal screws. Do the same at each additional joint to make the entire installation rigid.
4. Maintain the required diameter flue for the entire installation.
5. If you are connecting the stove to an old masonry flue, be sure to have it inspected for cracks and general condition. Resizing with a stainless steel liner may be required.
6. It is recommended that no more than two (2) 90° bends be used in the stove pipe installation. More than two (2) 90° bends may decrease the amount of draw and possibly cause smoke spillage.
7. A damper is not required in this installation. Remove damper plate in the chimney or secure in OPEN position.
8. Single wall flue pipe assemblies must not exceed 10 feet (3 m) in overall length.

CAUTION: DO NOT open fire-door to a point where it would be in contact with the combustible sidewall.

CAUTION: Brick for ash drawer must be installed before operation of wood heater.

CAUTION: DO NOT alter the primary air damper range

Optional Fan - An optional heat exchange blower is available for this wood burning appliance. To order please see the local dealer where you purchased the appliance.

FLOOR PROTECTION

INSTALLATION ON A CONCRETE FLOOR

An appliance installed on a concrete floor does not require floor protection. If carpeting or any other combustible floor covering is installed, a clearance around the stove must be maintained equivalent to the size of the floor protector described in the following section.

INSTALLATION ON A COMBUSTIBLE FLOOR

If the appliance is to be installed on a combustible floor or floor covering, a **floor protector** must be inserted under the stove and project beyond the front of the stove a minimum of 16" (406mm) in the US or 18" (457mm) in Canada and 8" (203mm) on all other sides. In the US the **floor protector** must also be positioned under any horizontal chimney run and project beyond the pipe a minimum of 2" (51mm) on both sides. The **floor protector** must be a durable noncombustible material with a minimum thickness of 1.0" and an R value of "2".

To determine a material's suitability use the following formulas;

1. If the material has an R (Thermal resistance) rating use the designated thickness and no conversion is needed. R values can be added for multi-layered materials.
2. If the material has a k (Thermal conductivity) rating convert this to an R rating using the formula $R = 1/k \times t$ (t = thickness in inches)
3. If the material has a C (Thermal conductance) rating convert this to an R rating using the formula $R = 1/C$.

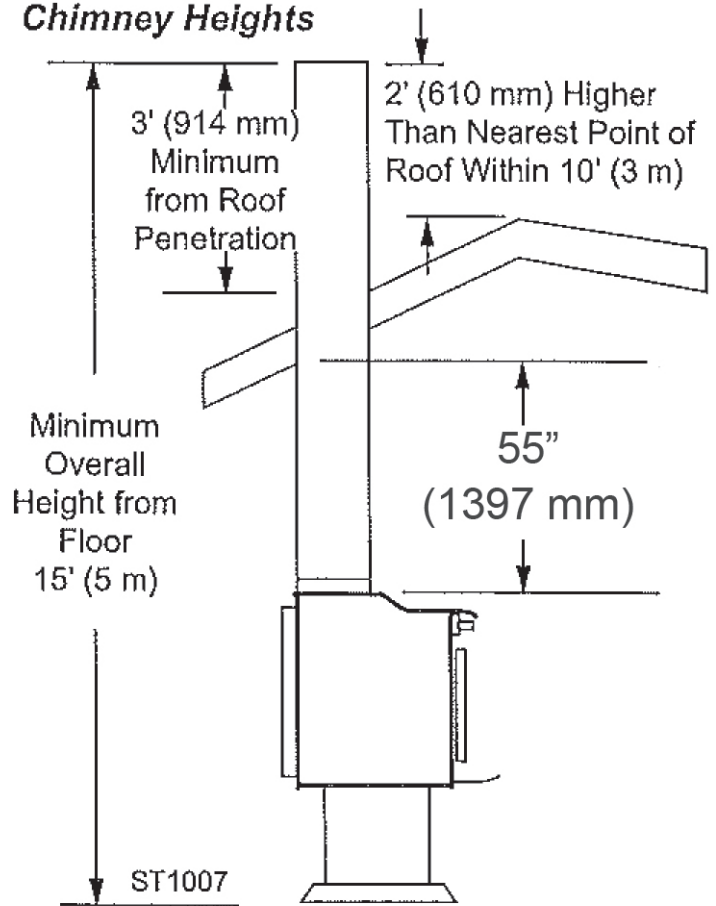
CHIMNEY

CONTACT YOUR LOCAL BUILDING AUTHORITY FOR APPROVED METHODS OF INSTALLATION

1. This appliance requires a masonry or pre-manufactured chimney listed to CAN/ULC-S629 (Canada) and UL103HT (USA) sized correctly.
2. If a masonry chimney is used it is advisable to have your chimney inspected for cracks and check the general condition before you install your unit. Relining may be required to reduce flue diameter to the appropriate functional size.
3. To help ensure a good draft, the top of the chimney should be at least 3 feet (914mm) above the point of penetration through the roof, and be at least 2 (610mm) feet higher than any point of the roof within 10 feet (3M).
4. The chimney connector shall not pass through an attic, roof space, closet, concealed space, floor, ceiling, wall, or any partition of combustible construction.
5. The minimum overall height of your chimney should be 15 feet (5 m) from the floor (Figure 3).
6. Do not use makeshift compromises during installation.

Figure 3

Chimney Heights



REFER TO CHIMNEY MANUFACTURER'S INSTRUCTIONS FLUE DRAFT CONSIDERATIONS

Location of the appliance and chimney will affect performance. The chimney should:

- Penetrate the highest part of the roof. This minimizes the affects of wind turbulence and down drafts.
- Consider the appliance location in order to avoid floor and ceiling attic joists and rafters. Exterior conditions such as roof line, surrounding trees, prevailing winds and nearby hills can influence stove performance. Your local dealer is the expert in your geographic area and can usually make suggestions or discover solutions that will easily correct your flue problem.

NOTE: These are guidelines only, and may vary somewhat for individual installations.

IMPORTANT: It is highly recommended that the wood stove and chimney be installed by a qualified installer. (A qualified installer is a person or entity who regularly installs wood heating products and chimneys, in the ordinary course of their regular business.)

VENTING SYSTEMS

The venting system consists of a chimney connector (also known as stove pipe) and a chimney. These get extremely hot during use. Temperatures inside the chimney may exceed 2000°F (1100°C) in the event of a creosote fire. To protect against the possibility of a house fire, the chimney connector and chimney **must be properly installed and maintained**. An approved thimble must be used when a connection is made through a combustible wall to a chimney. A chimney support package must be used when a connection is made through the ceiling to a prefabricated chimney. These accessories are **absolutely necessary** to provide safe clearances to combustible wall and ceiling material. Follow venting manufacturer's clearances when installing venting system.

TOOLS AND SUPPLIES NEEDED

Before beginning the installation be sure that the following tools and building supplies are available.

| | |
|---------------------------|--|
| Reciprocating saw | Framing Material |
| Pliers | Hi-Temp Caulking Material |
| Hammer | Gloves |
| Phillips Head Screwdriver | Framing Square |
| Flat Blade Screwdriver | Electric Drill & Bits (1/4") |
| Plumb Line | Safety Glasses |
| Level | 1/2 in. - 3/4 in. length, #6 or |
| Tape Measure | #8 self drilling screws (need per pipe section connection) |

INSPECT APPLIANCE & COMPONENTS AND

✓ PRE-USE CHECK LIST

| | |
|-----|--|
| 1. | Place the appliance in a location near the final installation area and follow the procedures below: |
| 2. | Open the appliance and remove all the parts and articles packed inside the Component Pack. Inspect all the parts and glass for shipping damage. Contact your dealer if any irregularities are noticed. |
| 3. | All safety warnings have been read and followed. |
| 4. | This Owner's Manual has been read. |
| 5. | Floor protection requirements have been met. |
| 6. | Venting is properly installed. |
| 7. | The proper clearances from the appliance and chimney to combustible materials have been met. |
| 8. | The masonry chimney is inspected by a professional and is clean, or the factory built metal chimney is installed according to manufacturer's instructions and clearances. |
| 9. | The chimney meets the required minimum height. |
| 10. | All labels have been removed from the glass door. |
| 11. | A power outlet is available nearby if installing optional blower assembly. |



WARNING



Asphyxiation Risk.

- Do NOT connect this unit to a chimney flue servicing another appliance.
 - Do NOT connect to any air distribution duct or system.
- May allow flue gases to enter the house.



WARNING



Fire Risk.

- Inspect appliance and components for damage. Damaged parts may impair safe operation.
- Do NOT install damaged components.
 - Do NOT install incomplete components.
 - Do NOT install substitute components.
- Report damaged parts to dealer.

Typical Stove Systems

Stove system with masonry chimney consists of:

- Stove
- Chimney Connector (stove pipe)
- Thimble
- Masonry Chimney
- Hearth Pad Floor Protection

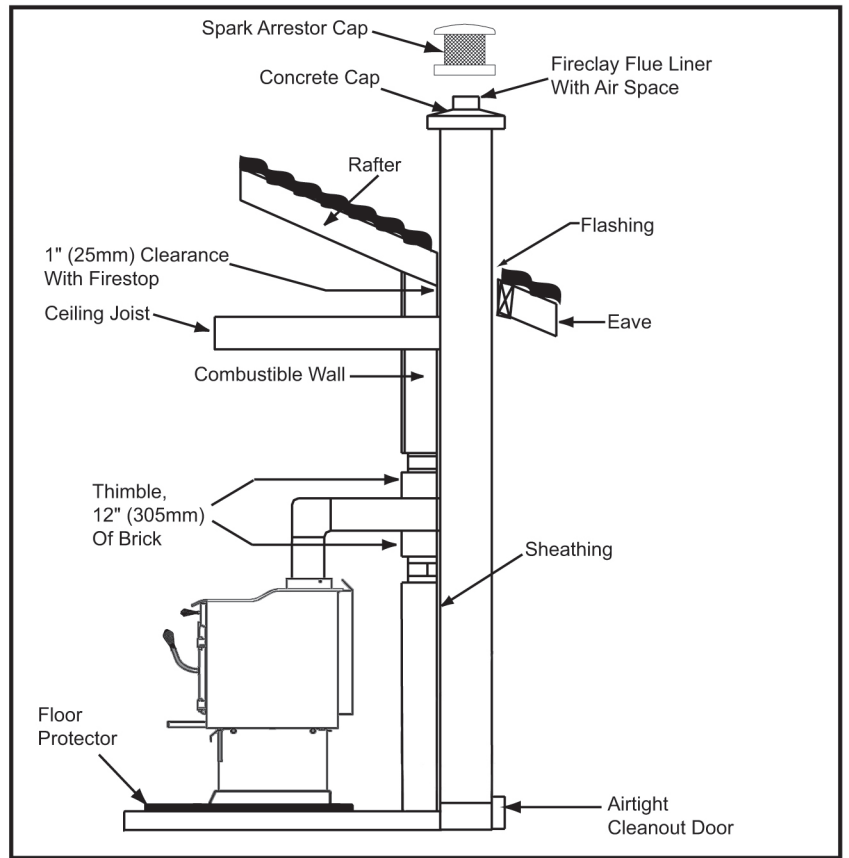


Figure 4.1 Masonry Chimney

Stove system with prefabricated metal chimney consists of:

- Stove
- Chimney Connector (stove pipe)
- Thimble (for exterior chimney)
- Firestops
- Insulations Shields
- Storm Collar and Flashing
- Termination Cap
- Hearth Pad Floor Protection

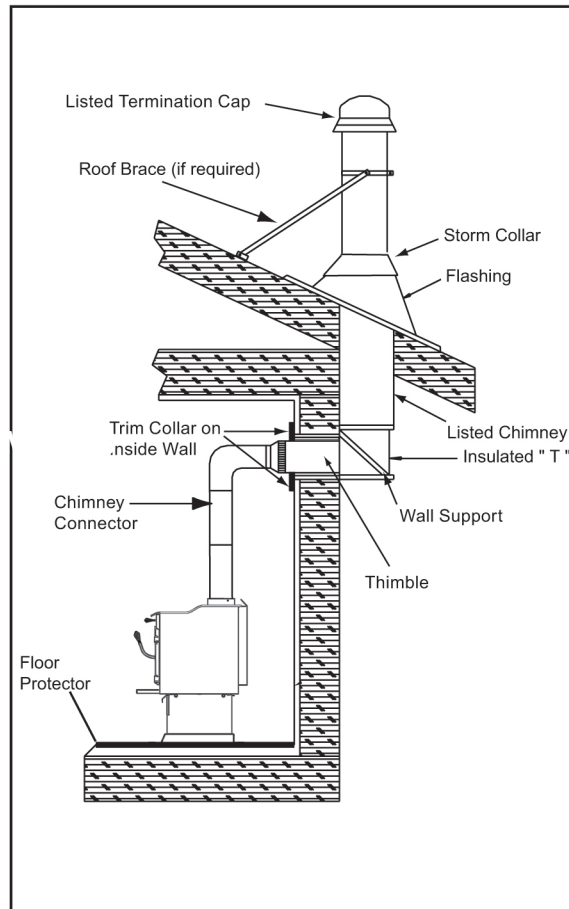


Figure 4.2 Exterior Prefabricated Chimney

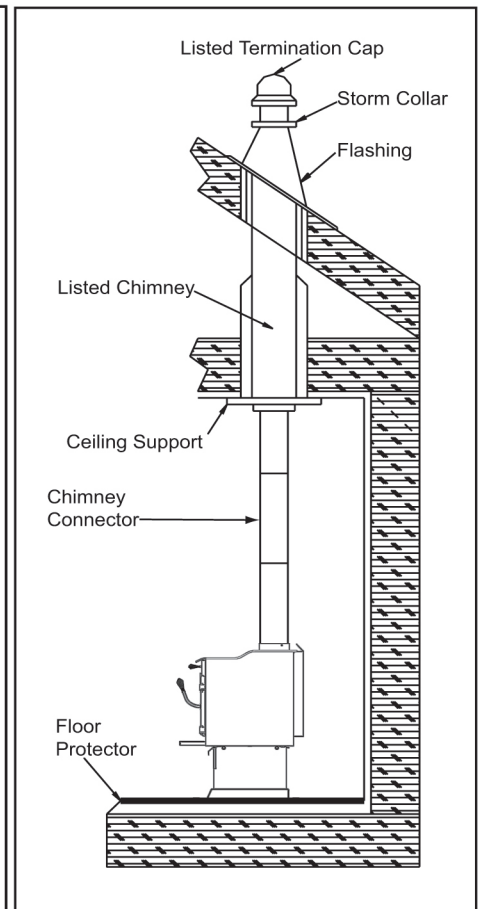


Figure 4.3 Interior Prefab. Chimney

CHIMNEY REQUIREMENTS

VENTING COMPONENTS

Chimney Connector:

It is also known as flue pipe or stove pipe. The chimney connector joins the stove to the chimney. It must be a 6 inch (152mm) minimum diameter 24 gauge mild steel black steel, or an approved air-insulated double wall venting pipe.

Thimble:

A manufactured or site-constructed device installed in combustible walls through which the chimney connector passes to the chimney. It is intended to keep the walls from igniting. Site constructed thimbles must meet NFPA 211 Standards. Prefabricated must be suitable for use with selected chimney and meet UL103 Type HT Standards. Follow instructions provided by the manufacturer for manufactured thimbles for masonry chimney and prefabricated chimneys.

Chimney:

The chimney can be new or existing, masonry or prefabricated and must meet the following minimum requirements specified in Section 5B.B.

CHIMNEY SYSTEMS

Prefabricated Metal Chimney

- Must be a 6 inch (152mm) diameter (ID) high temperature chimney listed to UL 103HT (2100°F) or ULC S627.
- Must use components required by the manufacturer for installation.
- Must maintain clearances required by the manufacturer for installation.
- Refer to manufacturers instructions for installation.

NOTE: In Canada when using a factory-built chimney it must be safety listed, **Type UL103 HT (2100°F) CLASS "A"** or conforming to **CAN/ULC-S629, STANDARD FOR 650°C FACTORY-BUILT CHIMNEYS.**

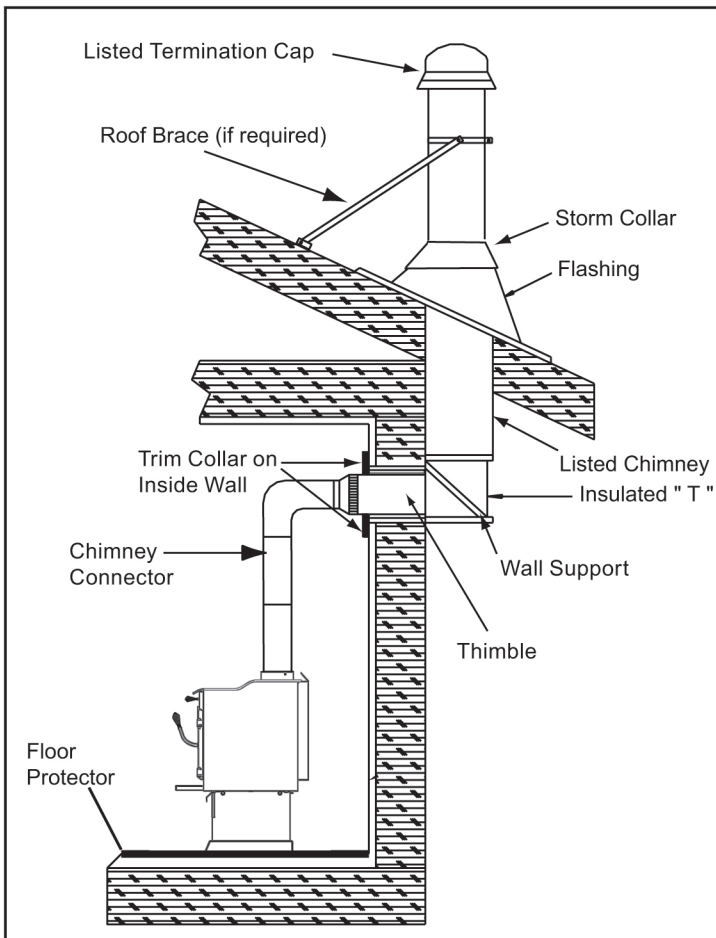


Figure 5.1 Prefabricated Exterior Chimney

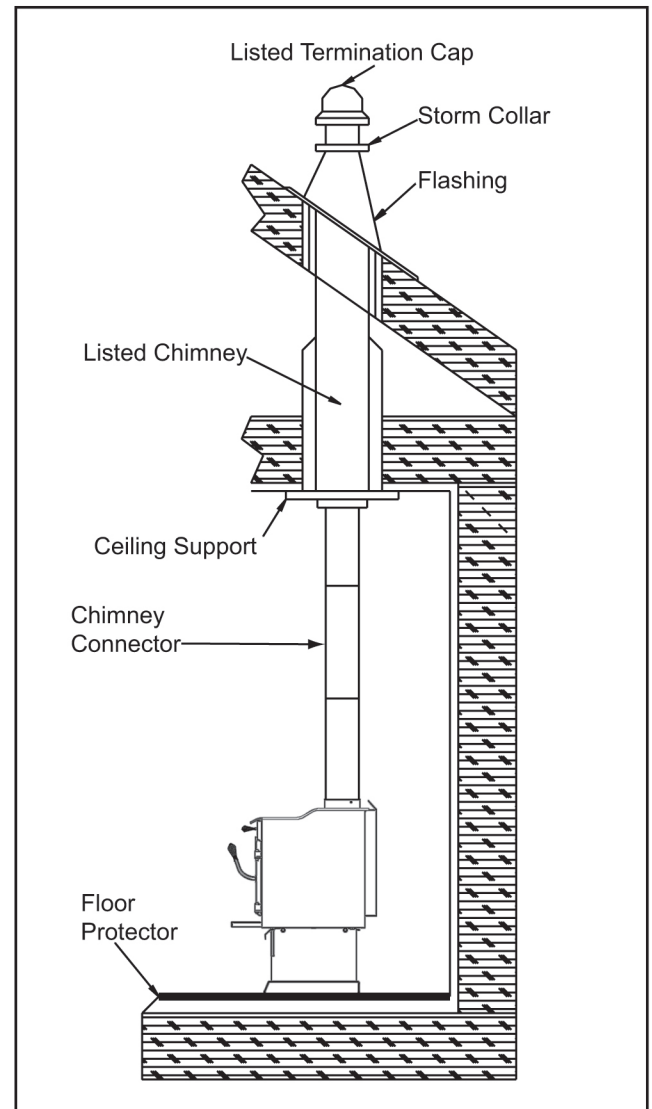


Figure 5.2 Prefabricated Interior Chimney

Thimble

Site constructed for masonry chimney installation:

Components

- A minimum length of 12 inches [05mm] (longer for thicker walls) of solid insulated factory-built chimney length constructed to UL 103 Type HT 6 inch (152mm) inside diameter. Chimney needs to extend a minimum of 2 inches (51mm) from the interior wall and a minimum of 1 inch (25mm) from the exterior wall.
- Wall spacer, trim collar and wall band to fit solid pack chimney selected.
 - Minimum 8 inch (20mm) diameter clay liner section (if not already present in chimney) and refractory mortar.

Air Clearances

- Masonry chimney clearance must meet NFPA 211 minimum requirement of 2 inches (51mm) to sheet metal supports and combustibles.
- Minimum of 1 inch (25mm) clearance around the chimney connector.
- Top of wall opening is a minimum of 1-1/2 inches (4mm) from ceiling or 4-1/2 inches (114mm) below minimum clearance specified by chimney connector manufacturer. NFPA 211 minimum vertical clearance of 18 inches (457mm) from chimney connector and ceiling or minimum recommended by chimney connector manufacturer. **Figure 6.1.**

Instructions:

1. Open inside wall at proper height for the chimney connector to enter the masonry chimney. **Figure 6.1.**
2. Entry hole to masonry chimney must be lined with an 8 inch (20mm) minimum diameter clay liner, or equivalent, secured with refractory mortar.
3. Construct a 17 inch x 17 inch (42mm x 42mm) outside dimension frame from 2 x 2 framing lumber to fit into wall opening. Inside opening of frame should be no less than 14 inch x 14 inch (56mm x 56mm). **Figure 6.1.**
4. Attach the wall spacer to the chimney side of the frame.
5. Nail the frame into the wall opening. The spacer should be on the chimney side.
6. Insert the section of the solid insulated chimney into the outer wall of the masonry chimney.
7. Tightly secure the length of the solid insulated chimney with the wall band to the masonry chimney.
8. Insert a section of chimney connector into the chimney. Make sure it does not protrude past the edge of the clay chimney liner inside the chimney.
9. Seal the end of the chimney connector to the clay liner with refractory mortar.
10. Install trim collar around the sold pack chimney section.

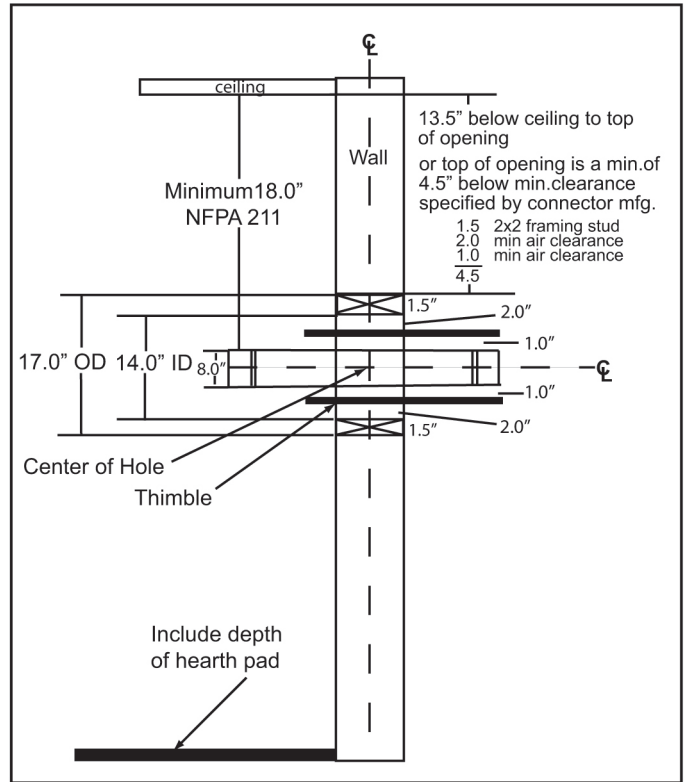


Figure 6.1

Solid Pack Chimney with Metal Supports as a Thimble

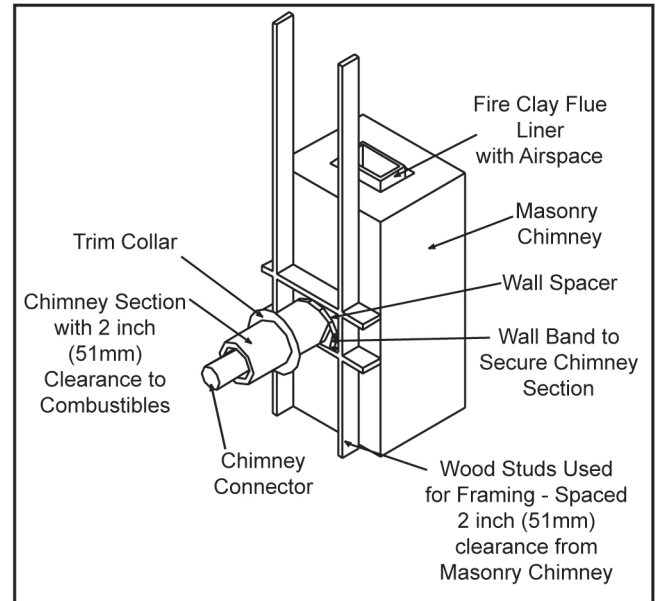


Figure 7.1

WARNING

Fire Risk.

- Do NOT pack insulation or other combustibles between spacers.
- ALWAYS maintain specified clearances around venting and spacers.
 - Install spacers as specified.
- Failure to keep insulation or other material away from vent pipe may cause fire.

Solid Pack Chimney with Metal Supports as a Thimble (Cont'd)

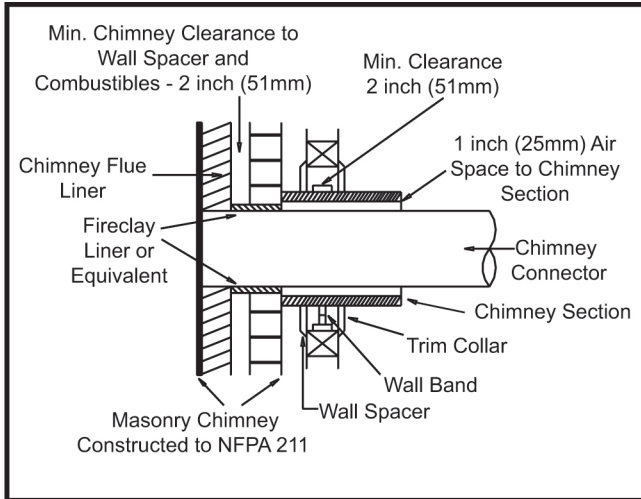


Figure 7.2

Chimney Height / Rise and Run

This product was designed for and tested on a 6 inch (152mm) chimney, 14 to 16 feet (420-480cm) high, (includes stove height) measured from the base of the appliance. The further your stack height or diameter varies from this configuration, the possibility of performance problems exists. Chimney height may need to be increased by 2% per each 1000 feet above sea level. It is not recommended to use offsets or elbows at altitudes above 4000 feet above sea level or when there are other factors that affect flue draft.

INSTALLING CHIMNEY COMPONENTS

Chimney Connector

Single wall connector or stove pipe.

This must be at least 24 gauge mild steel. The sections must be attached to the appliance and to each other with the crimped (male) end pointing toward the stove. All joints, including the connection at the flue collar, should be secured with sheet metal screws. Make sure to follow the minimum clearances to combustibles. Where passage through the wall, or partition of combustible construction is desired in Canada, the installation shall conform to CAN/CSA-B365.

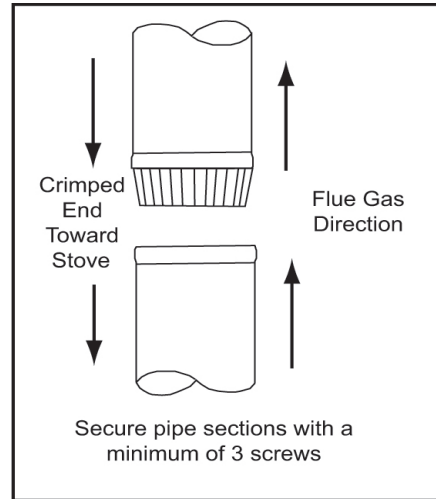





Figure 8


 **WARNING**

 **Fire Risk.**

Inspection of Chimney:

- Chimney must be in good condition.
- Meets minimum standard of NFPA 211
- Factory-built chimney must be 6 inch (152mm) UL103HT.

 **WARNING**

 **Fire Risk.**

Follow Chimney Connector Manufacturer's Instructions for Proper Installation.


ONLY use connector:


- Within the room, between appliance and ceiling or wall.

Connector shall NOT pass through:

- Attic or roof space
- Closet or similar concealed space
- Floor or ceiling


Maintain minimum clearances to combustibles

 **WARNING**

 **Asphyxiation Risk.**

- Do NOT connect this unit to a chimney flue servicing another appliance.
- Do NOT connect to any air distribution duct or system.

May allow flue gases to enter the house.

 **WARNING**

Improper installation, adjustment, alteration, service or maintenance can cause injury or property damage. Refer to the owner's information manual provided with this appliance. For assistance or additional information consult a qualified installer, service agency or your dealer.

Chimney Termination Requirements

Follow manufacturer's instructions for clearance, securing flashing and terminating the chimney.

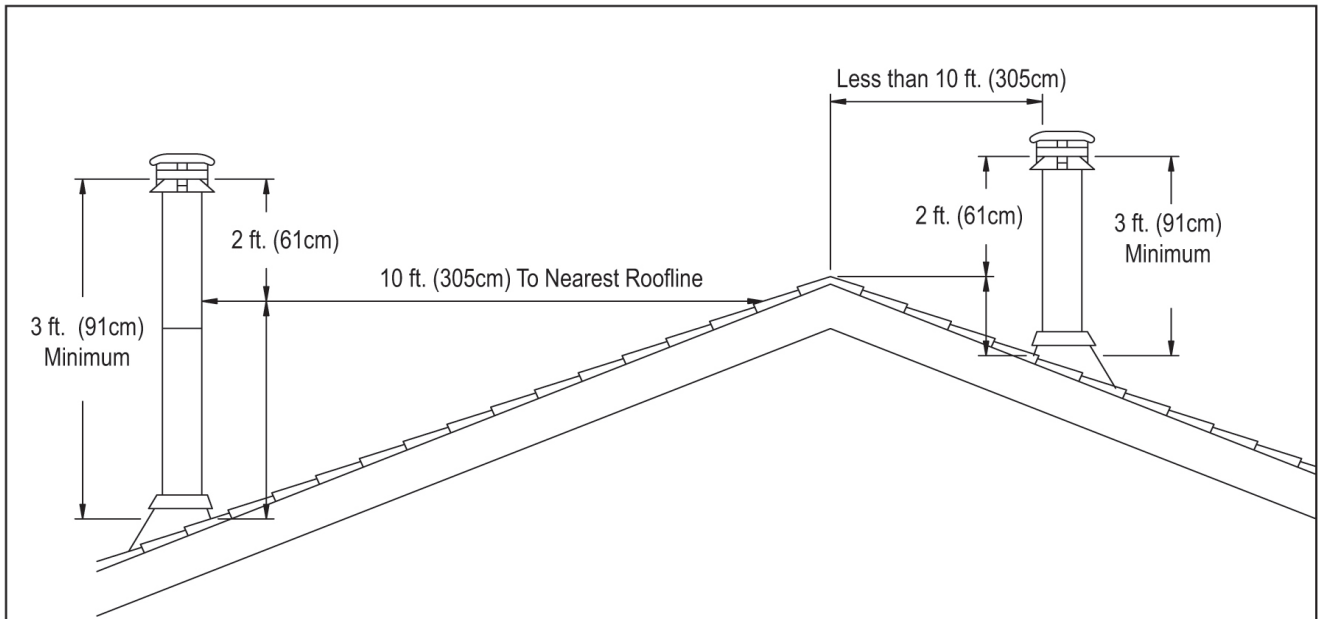
- Must have an approved and listed cap
- Must not be located where it will become plugged by snow or other material
- Must terminate at least 3 feet (91cm) above the roof and at least 2 feet (61cm) above any portion of the roof within 10 feet (305cm).
- Must be located away from trees or other structures

NOTE:

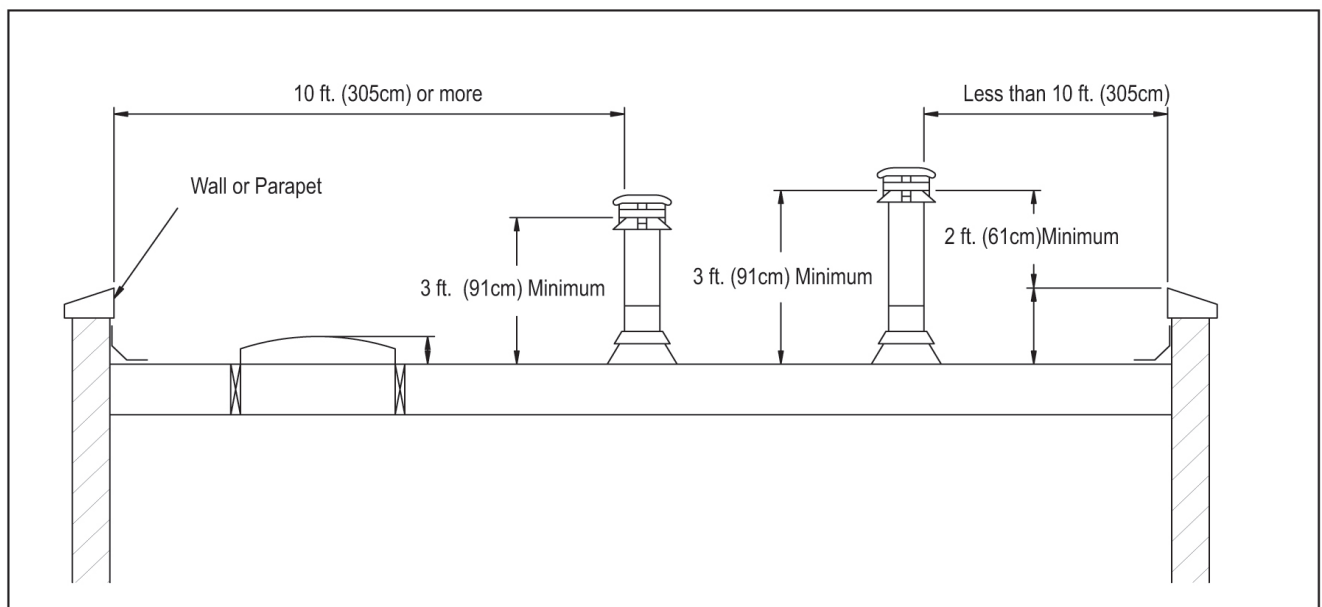
- Chimney performance may vary.
- Trees, buildings, roof lines and wind conditions affect performance.
- Chimney height may need adjustment if smoking or overdraft occurs.

2-10-3 Rule

These are safety requirements and are not meant to assure proper flue draft.



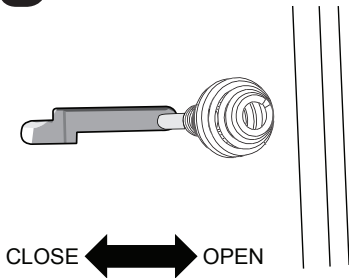
Pitched Roof



Flat Roof

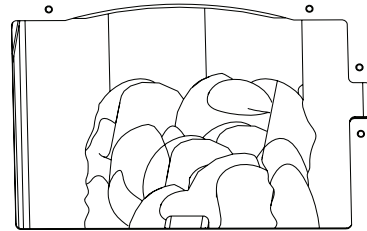
WOOD STOVE QUICK START GUIDE

1 OPEN AIR CONTROL



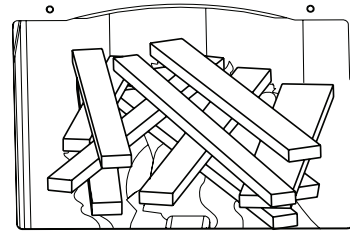
Slide damper control all the way to the right to completely open the damper.

2 ADD NEWSPAPER



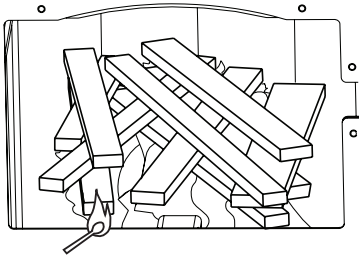
Add 10-15 pieces of wadded up newspaper to the firebox.

3 ADD KINDLING



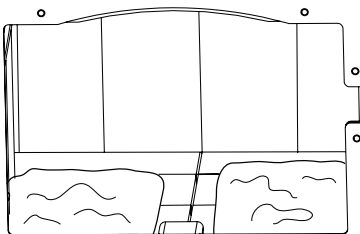
Stack 10-20 pieces of small, dry kindling evenly around newspaper.

4 LIGHT THE NEWSPAPER



Carefully light the newspaper using a fireplace match or extended lighter.

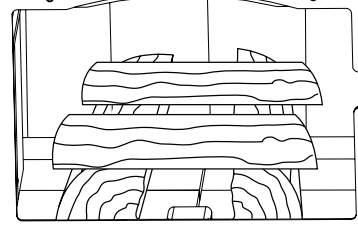
5 RAKE EMBERS



LINCOLN LOG METHOD

Rake embers to create a trough from front to back down the center of the firebox, with even amounts on the left right sides.

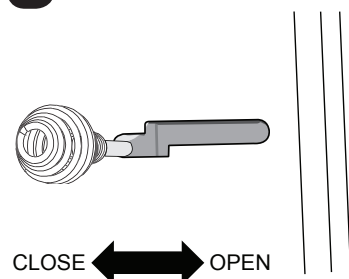
6 ADD WOOD



LINCOLN LOG METHOD

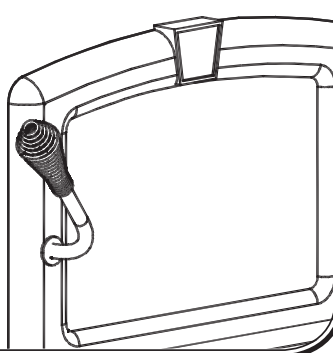
Add pieces of seasoned split wood to firebox using the Lincoln Log method.

7 REDUCE AIR CONTROL



Slide damper control all the way to the left and leave stove door cracked open for 5 minutes.

8 LATCH STOVE DOOR



Once fire is fully burning, fully close and latch stove door. Congratulations! Your wood stove is ready for operation.

9 WARNING! Risk of Fire

Close and securely latch the door after the fire has started, and after refueling, to prevent:

- Spillage of smoke, flame and carbon monoxide
- Spillage of sparks, coals and logs
- Over-firing

DO NOT leave the stove unattended with the door open.

Starting a fire may not require an open door to draft. The air control should supply adequate draft.

Questions, problems, missing parts? Before returning to your retailer, call our customer service department at 877-447-4768 8:30 a.m. – 4:30 pm CST, Monday – Friday, or email us at customerservice@ghpgroupinc.com

OPERATION

Do not use a grate or elevate fire. Build wood fire directly on hearth. When the stove is used for the first time the solvents in the paint will smoke off.

WOOD

This heater is designed to burn natural wood only. Higher efficiency and lower emissions generally result when burning air dried seasoned hardwood, as compared to softwood or to green or freshly cut hardwood. Only use dry seasoned wood. Green wood, besides burning at only 60 percent of the fuel value of dry wood, deposits creosote on the inside of your stove and along the chimney. This can cause an extreme danger of chimney fire. To be called seasoned, wood must be dried for a year. Regardless of whether the wood is green or seasoned, it should be stored in a well-sheltered, ventilated area to allow proper drying during the year to come. Wood should be stored beyond recommended clearance from combustibles.

DO NOT BURN:

- Treated Wood • Solvents • Trash • Coal
- Garbage • Cardboard • Coloured Papers

INSTRUCTIONS FOR FIRST BURN - CURING THE STOVE PAINT

Your stove has been painted with the highest quality stove paint and has special break-in procedures. The heat generated by the normal operation of the stove, will serve to harden the paint. Ventilate the house during the first three times the stove is used. The paint on the stove will give off smoke, carbon dioxide and an odor. Without adequate ventilation, concentrations of smoke could irritate you or cause damage to person and/or property. Open doors and windows and use a fan if necessary. After the initial burns, the paint will be cured and there should be no more smoke.

Each of the initial burns should be conducted as follows:

1. The first and second burns should be at approximately 250 deg F (120 deg C) for approximately 20 minutes.
2. The third burn should be between 500 deg F (260 to 370 deg C) for at least 45 minutes. The important fact is the paint should be cured slowly. Avoid hot fires during the curing process. During the curing process the paint will be gummy. Once cured the paint will remain hard. It is normal to see flat spots on painted surfaces of the stove. The flat spots on the paint surface indicate the hotter surfaces of the stove, and is caused by the heat radiating through the paint. It is also expected that shiny spots caused by friction from the packaging materials, will disappear during the curing of the stove.

SO:

1. Remember to Ventilate well.
2. Allow the stove to cure before burning for long periods at high temperatures.
3. Flat spots on the painted surfaces are normal.
4. Shiny spots on the paint surface before burning is normal.
5. Call your dealer if you have any questions.

BUILDING A FIRE

1. Open inlet air control fully.
2. Place a small amount of crumpled paper in the stove.
3. Cover the paper with a generous amount of kindling in a teepee fashion and a few small pieces of wood.
4. Ignite the paper and close door. If fire dies down substantially, open door slightly.
5. Using the lincoln log method, add larger pieces of wood as the fire progresses being careful not to overload. Do not fill firebox beyond firebrick area. An ideal coal bed of 1" to 2" should be established to achieve optimum performance.
6. This unit is designed to function most effectively when air is allowed to circulate to all areas of the firebox. An ideal means of achieving this is to rake a slight (1" to 2" wide) trough in the centre of the coal bed from front to back prior to loading the fuel.
7. Once fuel has been loaded, close door and open air inlet control fully until fire is well established (approx. 10 minutes) being careful not to overfire.
8. Readjust air inlet control to desired burn rate. If excessive smoke fills firebox, open air inlet control slightly until flames resume and wood is sufficiently ignited. A basic rule of thumb is "closed-low", "1 1/2 way-medium" and "fully open-high".
9. When refuelling, adjust air control to the fully open position. When fire brightens, slowly and carefully open the door. This procedure will prevent gases from igniting causing smoke and flame spillage.
10. Add fuel being careful not to overload.
11. Do not build fire close to glass. May result in glass breakage.

CAUTION: There are hazards with some fuels (eg charcoal), as well as the possibility of generating carbon monoxide, which there are hazards associated with also.

NEVER USE GASOLINE, GASOLINE-TYPE LANTERN FUEL, KEROSENE, CHARCOAL LIGHTER FLUID, OR SIMILAR LIQUIDS TO START OR FRESHEN UP A FIRE IN THIS HEATER. KEEP ALL SUCH LIQUIDS WELL AWAY FROM THE HEATER WHILE IT IS IN USE.

GLASS CARE

The following use and safety tips should be observed:

1. Inspect the glass regularly for cracks and breaks. If you detect a crack or break, extinguish the fire immediately, and contact your dealer for replacement.
2. Do not slam door or otherwise impact the glass. When closing doors, make sure that logs or other objects do not protrude and impact the glass.
3. Do not clean the glass with materials which may scratch (or otherwise damage) the glass. Scratches on the glass can develop into cracks or breaks.
4. Never attempt to clean the glass while unit is hot. If the deposit is not very heavy, normal glass cleaners are adequate with a plain, non-abrasive scouring pad. Heavier deposits may be removed with the use of a readily available oven cleaner.
5. Never put substances which can ignite explosively in the unit since even small explosions in confined areas can blow out the glass.
6. This unit has an airwash system, designed to reduce deposits on glass.
7. Deposits may build on the glass during normal operation and use. Normal glass cleaners work well to remove these deposits. Heavier deposits may be removed by using a damp cloth dipped in wood ashes or by using a commercially available oven cleaner.

REPLACE GLASS ONLY WITH GHP GROUP 5MM CERAMIC GLASS (SEE REPLACEMENT PARTS PAGE 18).

GLASS REPLACEMENT

CAUTION: Make sure fire is out and stove is completely cool to the touch.

1. Find an area that will ensure safe removal and no damage to surface of door frame or decorative home furnishing.
2. Wearing a pair of protective gloves, remove the push nuts that retain the door pins from being pulled out and then lift the door off of the hinges.
3. Lay the door face down on a protective surface located in Step 2.
4. Remove the screws from all glass retainers and remove the broken glass, ensuring that the door frame is free from any slivers. (If even small slivers are left, the

new glass will not seal correctly causing the stove to burn improperly.)

5. Attach glass gasket (from GHP Group replacement parts page 18) to new glass and install in door frame.
6. Replace glass retainers with screws making sure not to cross thread or overtighten.
7. Place door on hinges and replace new push nuts, purchased from GHP Group, on door pins to ensure door does not move after reinstall.

GASKET REPLACEMENT

After extensive use, the sealing material which provides glass and door seal may need to be replaced if it fails to sustain its resilience. Inspect glass and door seal periodically to ensure for proper seal. If gaskets become frayed or worn, replace immediately.

Contact your dealer or GHP Group Customer Service for approved replacement parts. The following steps should be followed for glass gasket replacement:

1. Ensure appliance is not in operation and is thoroughly cooled.
2. Remove screw and glass clip.
3. Lift glass out from glass clip.
4. Remove old gasket and clean glass.
5. Replace new gasket starting at the bottom of glass working along edges, being sure to centre gasket channel on glass.
6. Trim to length and butt ends together.
7. Replace glass in door, being sure not to over-tighten screw and clip.

The following steps should be followed for door gasket replacement:

1. Ensure appliance is not in operation and is thoroughly cooled.
2. Remove old door gasket and clean channel.
3. Using an approved high temperature gasket cement, apply a thin coat in bottom of channel.
4. Starting at hinge side of door, work into channel around door unit, end butt and trim to length.
5. Close door and allow three to four hours for cement to set before restarting appliance.

CREOSOTE

Creosote - Formation and Need for Removal

When wood is burned slowly, it produces tar and other organic vapors, which combine with expelled moisture to form creosote. The creosote vapors condense in the relatively cool chimney flue of a slow-burning fire. As a result, creosote residue accumulates on the flue lining. When ignited this creosote makes an extremely hot fire.

The chimney connector and chimney should be inspected at least once every two months during the heating season to determine if a creosote buildup has occurred.

If creosote has accumulated (3 mm or more) it should be removed to reduce the risk of a chimney fire.



WAYS TO PREVENT AND KEEP UNIT FREE OF CREOSOTE

1. Burn with air control open for several minutes at numerous intervals throughout the day during the heating season, being careful not to over-fire unit. This removes the slight film of creosote accumulated during low burn periods.
2. Burn stove with draft control wide open for several minutes every time you apply fresh wood. This allows wood to achieve the charcoal stage faster and burns wood vapours which might otherwise be deposited within the system.
3. **BURN ONLY SEASONED WOOD.** Avoid burning wet or green wood. Seasoned wood has been dried for at least one year.
4. A small hot fire is preferable to a large smouldering one that can deposit creosote within the system.
5. Establish a routine for the fuel, wood burner and firing technique. Check daily for creosote build-up until experience shows how often you need to clean to be safe. Be aware that the hotter the fire, the less creosote is deposited and weekly cleanings may be necessary in mild weather even though monthly cleanings may be enough in the coldest months. Contact your local municipal authority for information on how to handle a chimney fire. Have a clearly understood plan to handle a chimney fire.

WARNING: Things to remember in case of chimney fire:

1. **CLOSE DRAFT CONTROL.**
2. **CALL THE FIRE DEPARTMENT.**

ASH DISPOSAL

This unit features a convenient ash lip for easy removal of ash. During constant use, ashes should be removed every few days, or whenever ashes get to three to four inches deep in the firebox. Remove ashes only when the fire has died down and the ashes have cooled. Even then, expect to find a few hot embers.

Disposal of Ashes:

Ashes should be placed in a steel container with a tight-fitting lid. The container of ashes should be moved outdoors immediately and placed on a noncombustible floor or on the ground, well away from combustible materials, pending final disposal. If the ashes are disposed of by burial in soil or otherwise locally dispersed, they should be retained in the closed container until all cinders have thoroughly cooled. Other waste shall not be placed in this container.

USING THE ASH DRAWER

NOTE: Coals may still be hot even though stove feels cool to the touch.

1. Make sure stove is completely cool.
2. Open glass door and lift up the firebrick for ash drawer using a fireplace poker through the metal hook raised from the top of the brick and set aside in firebox.
3. Using a small hand broom, sweep the ashes into the opening, allowing the ashes to fall into the ash pan.
4. Make sure all debris is clear of the opening. This is important to ensure the firebrick (when replaced) seals to the metal stove bottom. If the fire brick is not properly sealed, the stove will not operate correctly.
5. Using gloves, pull out the ash drawer while holding the bottom of the ash pan so it doesn't fall out onto the floor.
6. Dispose of the ashes in a metal container with a tight-fitting lid.
7. Replace ash pan drawer and firebrick to their original positions.

IMPORTANT

1. What is the correct way to start a fire?

- a) You will need small pieces of dry wood (kindling) and paper. Use only newspaper or paper that has not been coated or had unknown materials glued or applied to it. Never use coated (typically advertising flyers) or coloured paper.
- b) Open the door of the wood stove.
- c) Crumple several pieces of paper and place them in the center of the firebox and directly on to the fire bricks of the wood stove. Never use a grate to elevate the fire.
- d) Place small pieces of dry wood (kindling) over the paper in a Teepee manner. This allows for good air circulation, which is critical for good combustion.
- e) Light the crumpled paper in 2 or 3 locations.
Note: It is important to heat the air in the stovepipe for draft to start.
- f) Fully open the air control of the wood stove and close the door until it is slightly open, allowing for much needed air to be introduced into the fire box. Never leave the door fully open as sparks from the kindling may occur causing injury or property damage. As the fire begins to burn the kindling, some additional kindling may be needed to sustain the fire. **DO NOT** add more paper after the fire has started.

g) Once the kindling has started to burn, start by adding some of your smaller pieces of seasoned (dry) firewood. NOTE: Adding large pieces at the early stages will only serve to smother the fire. Continue adding small pieces of seasoned (dry) firewood, keeping the door slightly open until each piece starts to ignite. Remember to always open the door slowly between placing wood into the fire.

h) Once the wood has started to ignite and the smoke has reduced, close the wood stove door fully. The reduction of smoke, is a good indication that the draft in the chimney has started and good combustion is now possible. Larger pieces of seasoned (dry) firewood can now be added when there is sufficient space in the Firebox. Adjust the air control setting to desired setting.

I) Note: The lower the air control setting the longer the burn time of your firewood.

2. What type of wood is best to use as Firewood?

Dry seasoned hardwood should be used. Avoid green unseasoned wood. Green wood, besides burning at only 60 percent of the fuel value of dry seasoned wood, will deposit creosote on the inside of your stove and along the inside of your chimney.

3. What does dry seasoned wood mean, and what is considered hardwood?

Wood that has been dried for a period of one year in a well-ventilated and sheltered area would be considered dry seasoned wood. Hardwoods are generally from slow growth trees (Example: Oak and Fir). Softwoods are generally from fast growth trees. (Example: Pine and Spruce)

4. Will following the above listed steps for starting a fire result in perfect results all the time?

The quick answer is most of the time. There are many variables that may affect your success rate when starting a fire. Most of those variables and how to deal with them will be learned through experience. Your ability to start a good fire will significantly increase with time and patience. Some of the reasons for poor stove performance will be covered in the next section of these instructions.

5. Why can't I get the fire lit?

Damp or wet wood and poor draft are the main reasons for poor results in starting a fire. Always use dry seasoned wood for your fire. Even wood dried for

two years will be difficult to ignite, if it has become wet.

6. Why is there always a large quantity of thick black smoke present in the firebox?

A large quantity of thick black smoke in the firebox, is a good indication that the draft is poor.

7. Is it normal for soot to cover the glass at the beginning of a fire?

Your stove has been built with an air wash system that will help keep the glass clear when the firebox has reached a good operating temperature, and has a good draft. Cold firebox temperature and poor draft cause sooting of the glass. Once the firebox temperature and the draft increases, the soot will burn off.

8. What is draft?

Draft is the ability of the chimney to exhaust draw by-products produced during the normal combustion process.

9. What can cause a poor draft?

The most common factors for poor draft are:

- a) Atmospheric pressure and air supply
- b) Environmental conditions
- c) Cold chimney temperature
- d) Poor chimney installation and maintenance

Atmospheric Pressure and Air Supply

Atmospheric pressure affecting the draft from a chimney can be either outside the home, inside the home or both. Outside the home, a high-pressure day (clear and cool) generally creates a better draft in the chimney than a low-pressure day (overcast and damp). Inside the home, normal household appliances, such as clothes dryers and forced air furnaces compete for air resulting in inadequate amounts of air available to fuel a fire and create a condition known as negative pressure. Under extreme conditions of negative pressure the combustion by-products can be drawn from the chimney and into the house. This condition is commonly referred to as down drafting. There are several factors that impact the amount of air available in the home. Increased amounts of insulation vinyl windows, extra caulking in various places and door seals can all keep heat in but may also make a home too airtight. If you are in doubt about whether or not there is sufficient air in your home for your stove, refrain from using those appliances known to consume the air where possible, or open a window or door to allow air to enter the home.

Environmental Conditions

High trees, low lying house location such as in a valley, tall buildings or structures surrounding your house and windy conditions can cause pool draft or down drafting.

Cold Chimney Temperature

Avoid cold chimney temperatures by burning a hot fire for the first fifteen to forty minutes, being careful not to over fire. If any part of the chimney or parts of the stove start to glow, you are over firing the stove. Where possible, install a temperature gauge on the chimney so temperature drops can be seen.

Chimney Installation and Maintenance

Avoid using too many elbows or long horizontal runs. If in doubt, contact a chimney expert and/or chimney manufacturer for help. Clean chimney, rain caps and

especially spark arrester regularly, to prevent creosote build-up, which will significantly reduce chimney draw and may cause a chimney fire.

10. Should I close or open the air control fully when shutting down the stove?

When shutting down the stove, fully open the air control. This allows the chimney temperatures to remain as high as possible for as long as possible. Cold chimney temperatures create creosote.

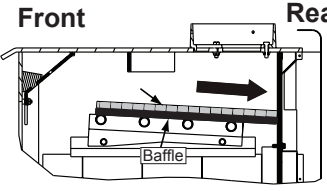
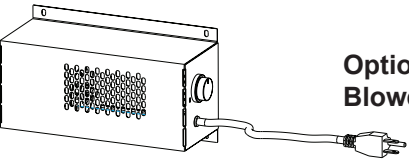
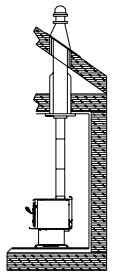
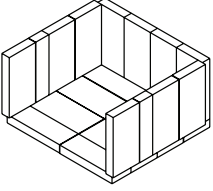
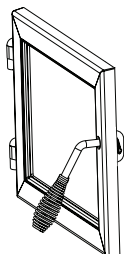
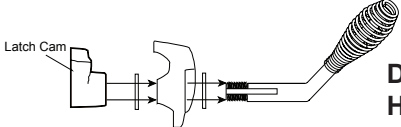
NOTE: This sheet is intended as an aid and does not supersede any local, provincial or state requirements. Check with officials or authorities having jurisdiction in your area.

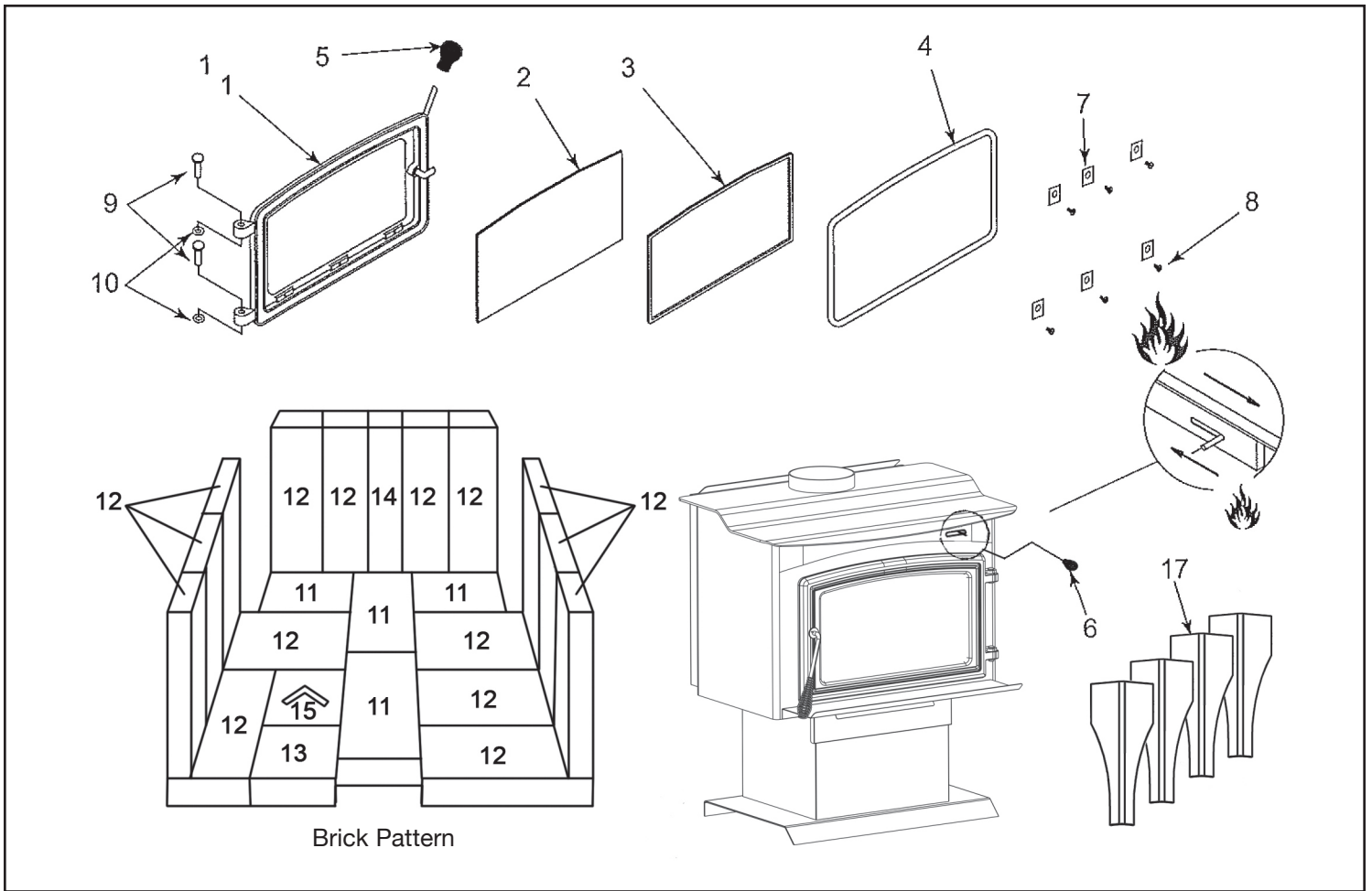
QUICK REFERENCE MAINTENANCE GUIDE



CAUTION! Allow the appliance to completely cool down before performing any cleaning or maintenance.

Start the first inspection after the first 2 months of use, or if performance changes, and adjust your schedule accordingly. Maintenance is required for safe operation and must be performed to maintain your warranty.

| AREA OF MAINTENANCE | FREQUENCY | TASK |
|---|--|---|
|  <p>Baffle & Blanket</p> | <p>MONTHLY or After Every Cord of Wood</p> | <p>Baffle and blanket placement is critical to heat output, efficiency and overall life of the unit. Make sure the baffle is pushed all of the way to the back of the firebox and the blanket is laying flat. Inspect baffle for cracks.</p> |
|  <p>Optional Blower</p> | <p>YEARLY or After Every 4 Cords of Wood</p> | <p>Vacuum the blower impellers.</p> |
|  <p>Chimney System</p> | <p>EVERY 2 MONTHS or After Every 4 Cords of Wood</p> | <p>The chimney and chimney cap must be inspected for soot and creosote every two months during the burn season or more frequency if chimney exceeds or is under 14-16 ft (4.3m- 4.8m) measured from bottom of appliance. This will prevent pipe blockage, poor draft, and chimney fires. Always burn dry wood to help prevent cap blockage and creosote build-up.</p> |
|  <p>Firebrick & Ash Removal</p> | <p>WEEKLY or After Every 25 Loads of Wood</p> | <p>Ashes must be cool before you can dispose of the ashes in a non-combustible container. Firebrick is designed to protect your firebox. After ashes are removed, inspect the firebrick and replace firebricks that are crumbling, cracked or broken.</p> |
|  <p>Door & Glass Assemblies</p> | <p>WEEKLY or After Every 25 Loads of Wood</p> | <p>Keep door and glass gasket in good shape to maintain good burn times on a low burn setting. To test: place a dollar bill between the stove and door and then shut the door. If you can pull the dollar out, replace the door gasket. Check the glass frame for loose screws to prevent air leakage. Check glass for cracks.</p> |
|  <p>Door Handle</p> | <p>WEEKLY or After Every 25 Loads of Wood</p> | <p>Check the door latch for proper adjustment. This is very important especially after the door rope has formed to the stove face. Check door handle for smooth cam operation.</p> |



GHP Group reserves the right to make changes in design, materials, specifications, prices and discontinue colors and products at any time, without notice.

| Item No. | Description | Qty. | Part No. |
|----------|---|------|-----------|
| 1. | Door Assembly | 1 | 75-21-503 |
| 2. & 3. | Glass (17.00"W x 9.75"H) and Gasket | 1 | 75-21-514 |
| 3. | 1/8" Glass Gasket | 4.3' | 75-21-123 |
| 4. | 5/8" Door Gasket | 5.1' | 75-21-143 |
| 5. | Spring Handle | 1 | 75-20-140 |
| 6. | Air Control Spring Handle | 1 | 75-20-141 |
| 7. | Glass Clip | 6 | 75-25-131 |
| 8. | Screw | 6 | 75-21-141 |
| 9. | Hinge Pin | 2 | 75-20-132 |
| 10. | Push Nut | 2 | 75-21-150 |
| 11. | Firebrick Lt. 7 3/4" x 4 7/16" x 1 1/4" | 4 | 75-21-145 |
| 12. | Firebrick Lt. 9" x 4 7/16" x 1 1/4" | 15 | 75-21-147 |
| 13. | Firebrick Lt. 4 1/2" x 4 7/16" x 1 1/4" | 1 | 75-21-146 |
| 14. | Firebrick Lt. 9" x 2 1/2" x 1 1/4" | 1 | 75-21-148 |
| 15. | Firebrick for Ash Drawer | 1 | 75-21-149 |
| 16. | Ash Drawer Assembly | 1 | 75-21-512 |
| 17. | Leg Assembly | 4 | 75-22-510 |

5 Year Warranty

GHP Group warrants that your new wood-burning stove, pellet-burning stove, or masonry wood insert is free from manufacturing and material defects for a period of five years from the date of sale, subject to the following conditions and limitations.

1. This warranty is extended to the original owner only, for residential use, and is subject to proof of purchase.
2. The new GHP Group product must be installed and operated at all times in accordance with the installation and operation instructions supplied with the appliance, and installation must be to local and national codes. Any alterations, willful abuse, accident, over firing or misuse will not be covered under warranty. NOTE: Some minor movement of certain parts is normal and is not a defect and therefore, not covered under warranty.
3. The warranty is non-transferable, and is made to the original owner, provided that the purchase was made through an authorized GHP Group supplier. The serial number must be supplied along with the Bill of Sale, showing the date of purchase, at the time the claim is submitted.
4. This warranty is limited to the repair or replacement of parts only, found to be defective in material or construction, provided that such parts have been subjected to normal conditions of use and service, after a said defect has been confirmed by GHP Group, or an authorized representative's inspection. Defective parts must be shipped back (at GHP Group discretion), transportation prepaid, to the manufacturer. Credits will be issued upon receipt of return of the defective product to GHP Group.
5. GHP Group, at its discretion, can fully discharge all obligation with respect to this warranty by refunding the wholesale price of the defective part(s).
6. Any installation, labor, construction, transportation or other related costs or expenses arising from defective parts, repair, replacement or otherwise of same, will not be covered by this warranty nor will GHP Group assume responsibility for same. Further, GHP Group will not be responsible for any incidental, indirect or consequent damages, except as provided by law, and in no event shall they exceed the original purchase price.
7. All other warranties - expressed or implied - with respect to the product, its components and accessories, or any obligations/liabilities on the part of GHP Group are hereby expressly excluded.
8. GHP Group neither assumes, nor authorizes any third party to assume, on GHP Group's behalf, any other liabilities with respect to the sale of this GHP Group product.
9. The warranties as outlined within this document do not apply to chimney components or other products made by other manufacturers when used in conjunction with the installation of this product. Improper use or the use of non-approved components may nullify your warranty. If in doubt, contact your nearest GHP Group supplier or GHP Group Customer Service Department.
10. GHP Group will not be responsible for:
 - Downdrafts or spillage caused by environmental conditions such as nearby trees, buildings, rooftops, hills, mountains, or ineffective

chimney design.

- Inadequate ventilation, excessive offsets or negative air pressure caused by mechanical systems such as furnaces, clothes dryers, fans, etc.

11. This warranty is void if:

- The appliance has been operated in atmospheres contaminated by chlorine, fluorine, or other damaging chemicals.
- This appliance has been subjected to prolonged periods of dampness or condensation.
- The appliance has any damage due to water, or weather damage that is the result of, but not limited to, improper chimney/venting installation.
- The appliance has been subjected to willful or accidental abuse or misuse.
- Corrosive driftwood, manufactured logs or other fuels are used other than as outlined in the installation and operating instructions.
- The appliance is not maintained in good condition, including firebrick and gaskets.

Doors with Glass and Plated Parts

Glass is warranted against thermal breakage only. To clean glass, use a ceramic/glass cleaner or polish. Do not use ammonia based cleaners. A suitable cleaner is available at your nearest Pleasant Hearth dealer.

DO NOT CLEAN GLASS WHILE HOT AND DO NOT USE ABRASIVE CLEANERS.

Plated parts will not be covered under this warranty. Plated parts should be cleaned by using denatured alcohol only and rubbed lightly with a lint-free non-abrasive cloth. Excessive rubbing or polishing may remove the plated finish. Plated parts may also be damaged by external chemicals.

Further Exclusions

WOOD-BURNING STOVE

Electrical components, such as the blower, are covered for five (5) years from the date of purchase if they are included with the purchase of your stove.

This warranty will not include or extend to paint, gaskets or firebrick components, and does not cover any removable firebox components such as brick retainers or stainless steel air tubes.

PELLET-BURNING STOVE:

Five Year Period:

1. Carbon steel and welded seams in the firebox are covered for five (5) years against splitting.

2. The steel door and hinges are covered for five (5) years against cracking.
One Year Period:

1. Component parts such as the hopper, auger, burn-pot, baffle plate, auger shaft and fasteners are covered for one (1) year against cracking, breakage and welded seam separation.

2. Electrical components, accessory items, glass and the painted surface of the stove are covered for one (1) year from the date of purchase.

TO REGISTER THE WARRANTY ON YOUR HEATER, PLEASE FILL OUT THIS CARD COMPLETELY
AND MAIL WITHIN 14 DAYS FROM DATE OF PURCHASE OR REGISTER ON-LINE AT www.ghpgroupinc.com

NAME: _____ PHONE: () _____ EMAIL: _____
ADDRESS: _____ CITY: _____ STATE: _____ ZIP: _____
MODEL: _____ SERIAL #: _____ DATE PURCHASED: _____
DEALER PURCHASED FROM: _____ TYPE OF STORE: _____
CITY & STATE WHERE PURCHASED: _____ PRICE PAID: _____

Please Take a Minute To Give Us Your Answers To The Following Questions.

All Responses Are Used Solely For Market Research And Are Held In Strict Confidence.

Who primarily decided this purchase? Male Female 18-24 25-39 40-59 60 and over

Purpose of Purchase? _____

Do you own any other portable heaters? Yes No If yes, type _____ brand _____

How do you intend to use your new heater? Construction Site Farm Warehouse/Commercial Garage/Outbuilding Other

How did you become aware of this heater? In-Store Display Newspaper Ad Magazine Ad Friend/Relative

TV Commercial Store Salesperson Other _____

What made you select this heater? Style Size/Portability Price Package Brand Other _____

Do you: own rent Would you recommend this heater to a friend? Yes No

Please give us your comments: _____

THANK YOU FOR COMPLETING THIS FORM!

Information will be held confidential.



IF WARRANTY SERVICE IS REQUIRED

Contact GHP Group Customer Service. Make sure you have your sales receipt and the model/serial number of your GHP Group product.

Do not attempt to do any service work yourself, unless pre-approved by GHP Group in writing as this will void the warranty.

GHP Group must authorize service and provide a Warranty Claim Number prior to any warranty related service calls. Without an authorization number, any service work will not be deemed warranty.

WARRANTY REGISTRATION

IMPORTANT: We urge you to fill out your warranty registration card within fourteen (14) days of date of purchase. You can also register your warranty on the internet at www.ghpgroupinc.com. Complete the entire serial number. Retain this portion of the card for your records.



GHP Group, Inc.
6440 W. Howard St.
Niles, IL 60714-3302

Tel: (877) 447-4768
www.ghpgroupinc.com

SAVE THIS CARD!

Place
Postage
Stamp
Here

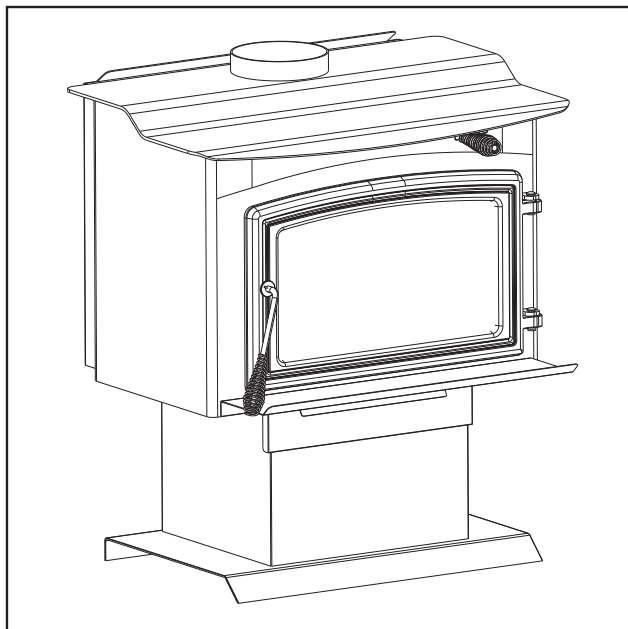
GHP Group, Inc.
6440 W. Howard St.
Niles, IL 60714-3302

Pleasant Hearth

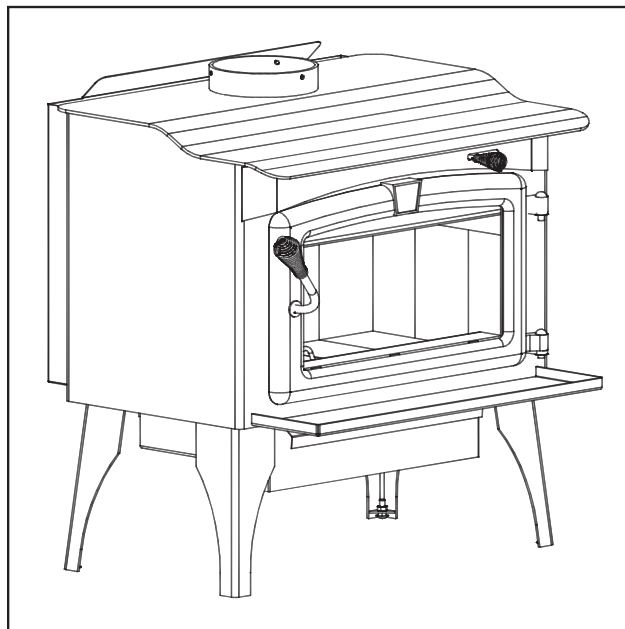
Warming Your Home. Warming Your Heart.



Poêle à bois à haut rendement



Modèle Série:
HWS-230292
WS-3029



Modèle Série:
LWS-130291

AVIS DE SÉCURITÉ: CET APPAREIL DE CHAUFFAGE AU BOIS PEUT CAUSER UN INCENDIE DE MAISON S'IL N'EST PAS BIEN INSTALLÉ, UTILISÉ ET SI ON NÉGLIGE SON ENTRETIEN. SUIVEZ LES INSTRUCTIONS D'INSTALLATION POUR DIMINUER LES RISQUES D'INCENDIE. LE NON RESPECT DES INSTRUCTIONS D'INSTALLATION POURRAIT CAUSER DES DOMMAGES AUX BIENS, DES BLESSURES OU LA MORT. INFORMEZ-VOUS AUPRÈS DU DIRECTEUR RÉGIONAL DE LA CONSTRUCTION POUR OBTENIR DE L'INFORMATION SUR LES RESTRICTIONS ET LES EXIGENCES RELATIVES À L'INSPECTION DE L'INSTALLATION DANS VOTRE RÉGION.

! AVERTISSEMENT

AVANT D'ALLUMER VOTRE PREMIER FEU. ENLEVEZ LA PELLICULE PLASTIQUE SUR LES MOULURES ET NETTOYEZ LES SURFACES PLAQUÉES AVEC DE L'ALCOOL DÉNATURÉ OU UN NETTOYANT À VITRE NON ABRASIF ET DE BONNE QUALITÉ. UTILISEZ UN CHIFFON TRÈS DOUX ET PROPRE. N'UTILISEZ PAS DES ESSUIE-TOUT POUR NETTOYER LES PIÈCES PLAQUÉES. IL Y AURA DES DOMMAGES PERMANENTS SI LES TÂCHES ET LES EMPREINTES SUR LES PIÈCES PLAQUÉES NE SONT PAS NETTOYÉES.

NOTE: Il est possible que vous ne soyez pas concerné par les restrictions mentionnées ci-dessus puisque certains États et provinces n'acceptent pas les restrictions ou prescriptions relatives aux dommages consécutifs ou indirects.

Ce manuel porte sur l'installation et l'utilisation du modèle HWS-230292, modèle WS-3029 et du modèle LWS-130291 (appareil de chauffage au bois non catalytique). Ce poêle à bois doit inspection périodique et la réparation pour un fonctionnement correct. Il est contre les règlements fédéraux pour faire fonctionner ce poêle à bois d'une manière incompatible avec les instructions de fonctionnement dans ce manuel.

Ce poêle à bois est enregistré par (OMNI-Test Laboratories, **Conduit de fumée de** Portland, Oregon) et a satisfait aux normes d'évaluation américaines et canadiennes UL1482 et ULC-S627. **1,83 m requise.**



OMNI-Test Laboratories, Inc.
MIS A L'ÉPREUVE SELON:
UL 1482-2011 (R2015)/ULC-S627-00
RAPPORT NO: 0418WS001S



6440 W. Howard St.
Niles, IL 60714-3302
877-447-4768

Ne jetez pas ce manuel: Gardez-le pour consultation

Questions, problèmes, pièces manquantes? Contactez notre service à la clientèle avant de retourner l'article chez le détaillant : 1-877-447-4768 8h30 à 16h30 HNC du lundi au vendredi ou envoyez-nous un urriel.customerservice@gphgroupinc.com.

60-10-001
04/21/2016

AVERTISSEMENT

Utilisez les services d'un installateur qualifié et compétent qui sera en mesure de faire une installation professionnelle et sécuritaire de l'appareil si vous doutez, suite à la lecture des instructions, de votre capacité à faire une installation professionnelle et sécuritaire. Ne faites pas une installation incomplète ou temporaire.

AVANT L'INSTALLATION DE L'APPAREIL

1. Informez-vous auprès du service d'inspection des constructions afin de connaître les règlements municipaux. Un permis est parfois requis.

2. L'appareil de chauffage doit être raccordé à 1) une cheminée qui satisfait aux normes des cheminées de Type HT et aux normes générales des cheminées. La cheminée doit être préfabriquée et de type résidentiel et répondre aux normes des appareils de chauffage UL 103, et au Canada CAN/ULC-S629 (norme de 650 degrés Celsius pour cheminée préfabriquée) et être conforme aux codes et règlements de la construction, ou 2) cheminée en maçonnerie avec doublage de cheminée conforme aux codes et règlements.

3. Un conduit de fumée en métal noir de (152mm) de diamètre et d'une épaisseur de 24.

4. Il faut toujours raccorder l'appareil à une cheminée; il ne faut JAMAIS faire évacuer la fumée dans une autre pièce ou à l'intérieur.

5. NE raccordez PAS l'appareil à un tuyau qui est raccordé à un autre appareil, par ex. une fournaise.

6. NE RACCORDEZ PAS L'APPAREIL À UN CONDUIT DE FUMÉE QUI EST RACCORDÉ À UN AUTRE APPAREIL.

7. Il faut vérifier régulièrement le raccordement de tuyau et la cheminée, et les nettoyer si nécessaire.

8. Il faut tenir compte de la distance de sécurité lors de l'installation de meubles et d'objets à proximité de l'appareil. NE METTEZ PAS de bois, liquide inflammable ou combustible près de l'appareil.

Les distances de sécurité sont inscrites sur le sceau d'attestation qui se trouve à l'arrière de l'appareil.

9. Contactez les services municipaux ou provinciaux de protection contre l'incendie pour obtenir de l'information sur les incendies de cheminée. Établissez un plan d'action afin de bien réagir en cas d'incendie de cheminée. Fermez l'entrée d'air et TÉLÉPHONEZ LE SERVICE D'INCENDIE en cas d'incendie.

10. Il NE faut PAS forcer la manette d'admission d'air pour modifier son réglage normal.

11. N'INSTALLEZ PAS CES APPAREILS DANS UNE MAISON MOBILE OU ROULOTTE. CES APPAREILS NE SONT PAS APPROUVÉS POUR UTILISATION DANS UNE MAISON MOBILE.

12. NE LE RACCORDEZ PAS À UN TUYAU D'AÉRATION OU SYSTÈME DE DISTRIBUTION DE L'AIR.

13. Lorsque vous installez un appareil à combustibles solides, vous devriez aussi installer des détecteurs de fumée et de monoxyde de carbone à chaque niveau de la maison. Lors de la première utilisation, il pourrait y avoir de la fumée ou certaines odeurs. Vous pourriez ouvrir quelques fenêtres pour assurer une circulation de l'air pendant les premières heures d'utilisation afin que le détecteur de fumée ne se déclenche pas. Testez vos détecteurs de fumée et de monoxyde de carbone de façon régulière.

UTILISATION

VOICI POURQUOI IL EST IMPORTANT D'UTILISER UN CONDUIT DE FUMÉE DE LA BONNE DIMENSION (1,83 M): Le tirage de la cheminée est le mouvement de l'air dans le conduit, provoqué par l'attraction de l'oxygène vers une combustion. Le tirage de la cheminée est fonction de la longueur et de l'emplacement de

la cheminée ainsi que des choses se trouvant à proximité de la cheminée et d'autres facteurs. L'appareil peut chauffer de façon excessive si le tirage est trop puissant. Le tirage est trop puissant lorsque la combustion est incontrôlable ou lorsque la cheminée ou les raccordements de cheminée sont rouges vifs. Un tirage insuffisant peut repousser la fumée dans la pièce ou « boucher » la cheminée et/ou laisser la fumée s'échapper par les joints de l'appareil et de la cheminée.

Les appareils à combustible solide d'aujourd'hui sont plus efficaces. Ces appareils offrent une combustion optimale et dégagent plus de chaleur avec moins de combustible. La cheminée doit être de la bonne dimension afin d'assurer un tirage efficace puisque les nouveaux appareils évacuent la fumée à une plus basse température. L'appareil ne pourra pas augmenter efficacement la température du conduit de fumée si la cheminée est trop large et le tirage ne sera pas efficace. Il y aura donc un refoulement de fumée et/ou une combustion inadéquate.

Contactez un expert en entretien de cheminées si vous avez ce problème.

Lorsque la porte est fermée : vous utilisez la manette d'admission d'air pour actionner le mécanisme permettant de contrôler l'entrée d'air dans la chambre à combustion. Vous serez à la longue capable de contrôler l'intensité de la chaleur et la durée de combustion. Vous pourrez utiliser l'appareil lorsque le tirage de la cheminée sera convenable, mais à condition de fermer la porte. Il faut ouvrir la porte lentement lorsqu'on ajoute le bois afin d'empêcher la fumée de s'échapper. Une utilisation inappropriée de l'appareil pourrait occasionner des dommages irréparables, soit une combustion à une température supérieure aux normes de conception de l'appareil. Il est recommandé de mettre du bois jusqu'au niveau de la brique réfractaire.

Une trop grande quantité peut nuire à la circulation de l'air et à la combustion.

Utilisez cet appareil de chauffage seulement lorsque la porte est fermée.

NE BRÛLEZ PAS D'ORDURES OU DE LIQUIDES COMBUSTIBLES, PAR EX. ESSENCE, NAPhte, HUILE POUR MOTEUR. N'UTILISEZ PAS DE PRODUITS CHIMIQUES OU DE LIQUIDES COMBUSTIBLES POUR ALLUMER LE FEU.

IL DOIT TOUJOURS AVOIR DE L'AIR FRAIS DANS LA PIÈCE OÙ SE TROUVE L'APPAREIL PUISQU'UNE IMPORTANTE DIMINUTION DE LA QUANTITÉ D'AIR POURRAIT NUIRE AU FONCTIONNEMENT D'AUTRES APPAREILS À COMBUSTION ET CRÉER UNE SITUATION POTENTIELLEMENT DANGEREUSE.

DÉGAGE UNE CHALEUR. LES ENFANTS NE DOIVENT PAS S'APPROCHER. LES VÊTEMENTS ET LES MEUBLES NE DOIVENT PAS SE TROUVER À PROXIMITÉ. PEUT CAUSER DES BRÛLURES.

VENTILATEUR OPTIONEL : MODÈLE PBAR-2427, 120 VOLTS, 60Hz, 1.0 AMP, 2900 T/M
DANGER: RISQUE D'ÉLECTROCUTION.
DÉBRANCHEZ L'APPAREIL AVANT L'ENTRETIEN OU LA RÉPARATION. IMPORTANT : FAITES FONCTIONNER LE VENTILATEUR À FAIBLE VITESSE POUR OPTIMALISER LE FONCTIONNEMENT DE L'APPAREIL DE CHAUFFAGE LORSQUE LA COMBUSTION EST LENTE.

IMPORTANT: Nous vous recommandons fortement que l'installation du poêle à bois et de la cheminée se fasse par un installateur qualifié. (Un installateur qualifié est toute personne ou entité qui installe régulièrement des produits de chauffage au bois et des cheminées dans le cadre de son travail normal).



Installation du socle et des pieds

Suivez ces instructions sur l'installation du socle et des pieds avant d'installer le poêle.

Modèle: HWS-230292

Gros poêle à bois sur socle

Il n'est pas nécessaire de l'installer puisque le socle est installé à l'usine.

Modèle: WS-3029

Gros poêle à bois sur socle et pieds

Enlevez le panier à cendre et les (4) boulons de fixation du socle, tel qu'il est montré à l'illustration 0.

Demandez de l'aide afin de dégager le poêle du socle et déposez le poêle sur son côté sur une surface plane, sécuritaire, matelassée et d'une hauteur d'environ 15cm.

Il faut ensuite visser les pieds au poêle avec les boulons qui ont été enlevés à l'étape 1 (voir l'illustration 0.2). Demandez de l'aide afin de soulever le poêle de la surface surélevée et déposez-le sur ses pieds. Installez le panier à cendre.

Vérifiez le réglage de niveau des pieds afin de vous assurer de l'horizontalité du poêle (voir l'illustration 0.3).

Modèle: LWS-130291

Gros poêle à bois sur pieds

Enlevez le panier à cendre et les (4) boulons des pièces cornières de renfort (voir l'illustration 0.1).

Demandez de l'aide et soulevez le poêle de la palette de bois et déposez-le sur son côté sur une surface plane, sécuritaire, matelassée et d'une hauteur d'environ 15 cm.

Il faut ensuite visser les pieds au poêle avec les boulons qui ont été enlevés à l'étape 1 (voir l'illustration 0.2). Demandez de l'aide afin de soulever le poêle de la surface surélevée et déposez-le sur ses pieds. Installez le panier à cendre. Vérifiez le réglage de niveau des pieds afin de vous assurer de l'horizontalité du poêle (voir l'illustration 0.3).

Illustration 0

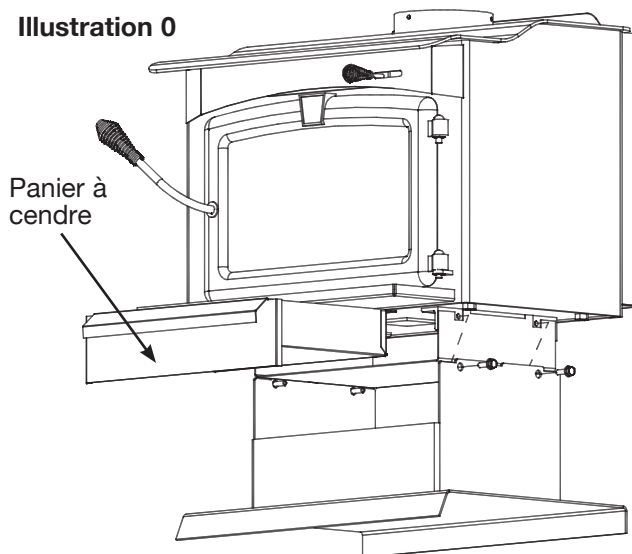


Illustration 0.1

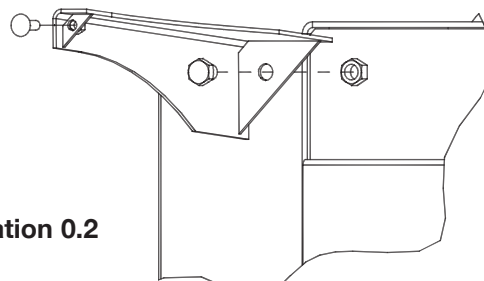
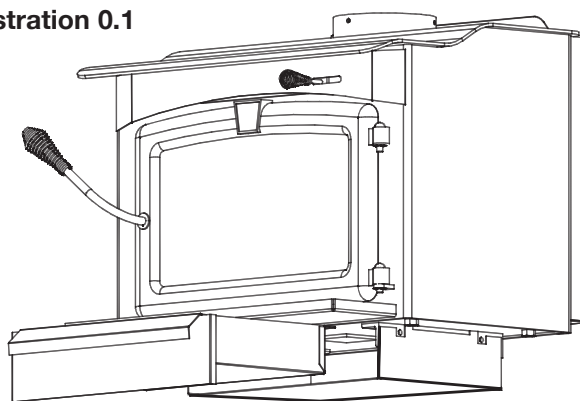


Illustration 0.2

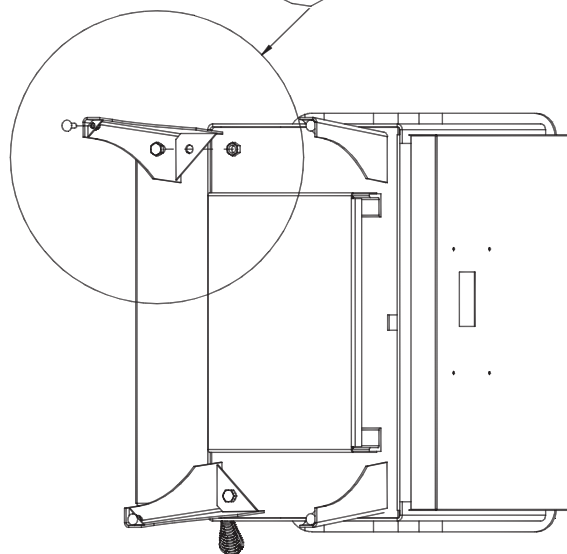
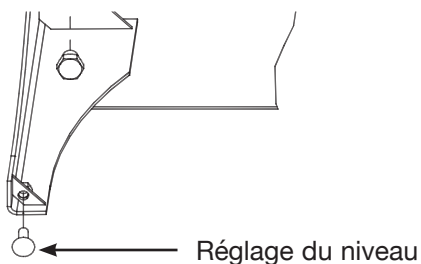


Illustration 0.3



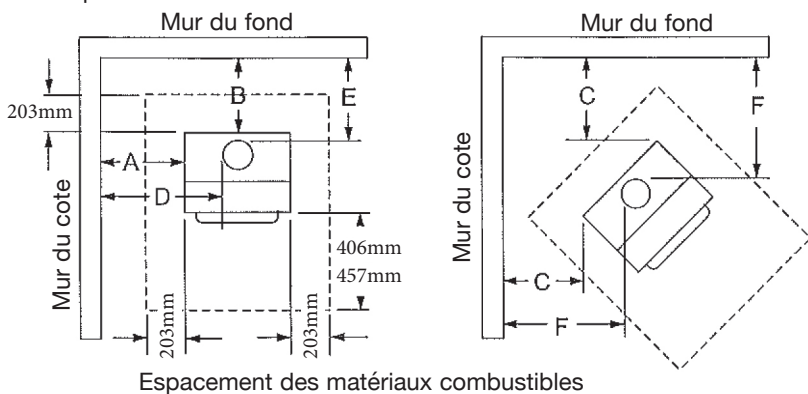
INSTALLATION

Contactez l'inspecteur en bâtiment de votre région avant l'installation. Un permis est parfois nécessaire.

1. Enlevez les pièces qui se trouvent dans le poêle.
2. Sélectionnez un endroit approprié pour le poêle. Il ne faut pas que l'espace entre l'appareil et une matière combustible soit inférieur à l'espace minimal montré à l'illustration 1). Il faut installer le poêle sur une surface imbrûlable (voir l'illustration 1).

Illustration 1

Espacement des matériaux combustibles



Espacement des matériaux combustibles

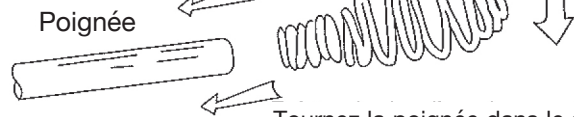
Un espacement minimal de 46cm du raccordement de la cheminée peut être exigé de l'autorité administrative.

| Appareil | Raccordement cheminée |
|--------------------------|--------------------------|
| A. Mur côté 22" (559 mm) | D. Mur côté 32" (813 mm) |
| B. Mur noir 16" (406 mm) | E. Mur noir 19" (483 mm) |
| C. Coin 12" (305 mm) | F. Coin 21.5" (546 mm) |
| Hauteur libre plafond | 55" (140cm) |
| *16" (41 cm) É.-U. | **18" (46cm) Canada |

Il faut installer l'appareil sur un tapis protecteur imbrûlable d'une épaisseur comparable à l'épaisseur du celloderme 2,54cm. Le protège plancher doit avoir une valeur Rf d'au moins 1.19. Contactez votre municipalité pour obtenir de plus amples renseignements.

3. Demandez au fabricant de panneaux muraux imbrûlable ou à l'inspecteur en bâtiment de vous informer de l'espace de dégagement minimal si les murs sont faits de panneaux muraux imbrûlables.
4. Installez le tuyau de poêle à L'INTÉRIEUR de la buse au-dessus du poêle (entre le poêle et la cheminée).
5. N'UTILISEZ PAS la grille à feu pour surélever le feu.

Illustration 2



Tournez la poignée dans le sens horaire (comme pour dévisser). La poignée s'insérera à la bonne position.

TUYAU DE POËLE

1. Un espace de dégagement de 46cm entre le tuyau de poêle et le matériel combustible est peut-être nécessaire. Vérifiez auprès de l'autorité compétente de votre municipalité.
2. Les raccords mâles (bord rabattu) doivent pointer vers le poêle lors de l'installation des sections de tuyaux.
3. Fixez le tuyau de poêle à la buse en utilisant trois vis à tête. Faites la même chose à chaque raccordement pour bien solidifier.
4. Utilisez un conduit de fumée de la bonne dimension.
5. Faites inspecter le conduit de fumée pour savoir s'il est en bon état ou fissuré si vous raccorder le poêle à un conduit de fumée d'un vieux foyer en maçonnerie. Il sera peut-être nécessaire d'ajouter un blindage en acier.
6. Il est recommandé de ne pas avoir plus de deux (2) sections de tuyau à un angle de 90°. Il pourrait y avoir un problème de tirage de fumée et de fuite de fumée s'il y a plus de deux (2) sections à un angle de 90°.
7. Il n'est pas nécessaire d'utiliser un registre pour ce type d'installation. Enlevez la plaque du registre dans la cheminée ou fixez-la à la position OUVERT.
8. Les raccordements de conduits de fumée à paroi simple ne doivent pas être d'une longueur supérieure à 3 mètres.

AVERTISSEMENT : La porte **NE DOIT PAS** toucher un mur inflammable lorsque vous l'ouvrez.

AVERTISSEMENT : Il faut installer la brique du panier à cendre avant d'utiliser le poêle à bois.

ATTENTION : NE PAS modifier la principale plage de volet d'air

Ventilateur optionnel : Un échangeur de chaleur est offert en option pour ce poêle à bois. Vous pouvez le commander chez le détaillant où vous avez acheté l'appareil.

PROTECTION DU SOL

INSTALLATION SUR PLANCHER DE BÉTON

Un protecteur de plancher n'est pas nécessaire si l'appareil est posé sur un plancher en béton. Si du tapis ou tout autre type de revêtement de sol combustible est installé, un espace autour du foyer de la grandeur du protecteur de plancher, décrit dans la section suivante, doit rester dégagé.

INSTALLATION SUR UN PLANCHER COMBUSTIBLE

Si l'appareil est installé sur un plancher ou un revêtement de sol combustible, un **protecteur de plancher** doit être posé sous le foyer. Le protecteur doit dépasser à l'avant du foyer de 406 mm (16 po) aux États-Unis et de 457 mm (18 po) au Canada et de 203 mm (8 po) des autres côtés. Aux États-Unis, il doit aussi y avoir un protecteur de plancher sous tout conduit horizontal de cheminée et le protecteur doit s'étendre de 51 mm (2 po) de chaque côté du tuyau. Le **protecteur de plancher** doit être fait d'un matériel incombustible et durable dont l'épaisseur fait au moins 254 mm (1 po) et dont la valeur d'isolation thermique « R » est d'un minimum de 2. Fiez-vous à ces formules pour déterminer si le matériau convient :

1. Si le matériau détient une cote de résistance thermique « R », utilisez l'épaisseur indiquée. Aucune conversion n'est nécessaire. Les valeurs « R » s'additionnent quand on superpose des matériaux.
2. Si le matériau a une cote de conductivité thermique « k », convertissez-la en une cote « R » en suivant cette formule : $R = 1/k \times e$ (e = épaisseur en pouces).
3. Si le matériau a une cote de conductance thermique « C », convertissez-la en une cote « R » en suivant cette formule : $R = 1/C$.

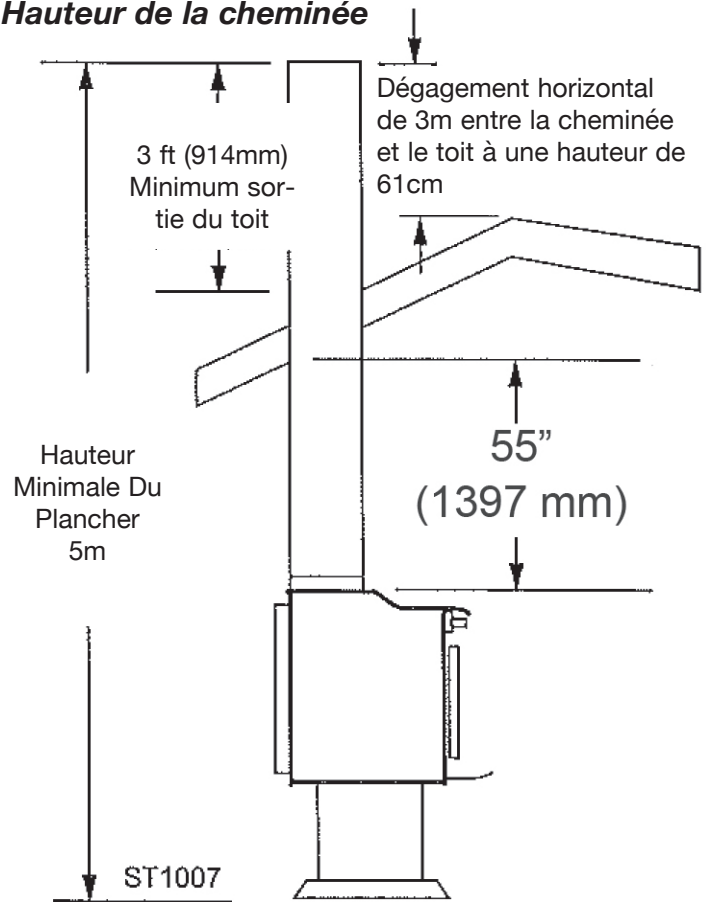
CHEMINÉE

CONTACTEZ L'AUTORITÉ COMPÉTENTE DE VOTRE MUNICIPALITÉ POUR CONNAÎTRE LA PROCÉDURE D'INSTALLATION APPROUVÉE.

1. Il faut utiliser une cheminée en maçonnerie ou une cheminée préfabriquée de bonne dimension et homologuée CAN/ULC-S629 (Canada) et UL103HT (É.-U.).
2. Il est recommandé de faire inspecter le conduit de fumée pour savoir s'il est en bon état ou fissuré si vous raccordez le poêle à un conduit de fumée d'un foyer en maçonnerie. Il sera peut-être nécessaire d'installer un doublage de cheminée afin de diminuer le diamètre du conduit de fumée.
3. L'extrémité de la cheminée devrait être à au moins 92cm du toit. Il faut aussi un espace de dégagement horizontal de 3mètres entre la cheminée et le toit à une hauteur de 61cm afin d'assurer un tirage efficace.
4. Le carneau de fumées ne doit pas passer à travers un grenier, un vide sous toit, placard, vide de construction, plancher, plafond, mur, ou une cloison combustible.
5. La hauteur minimale de votre cheminée devrait être 5

Illustration 3

Hauteur de la cheminée



mètres du plancher (illustration 3).

6. Ne faites pas une installation incomplète.

CONSULTEZ LES INSTRUCTIONS D'INSTALLATION DU FABRICANT DE LA CHEMINÉE.

INFORMATION SUR LE TIRAGE DE LA CHEMINÉE :

L'emplacement de l'appareil et de la cheminée a un impact sur le rendement.

- La cheminée devrait passer à travers la partie la plus élevée du toit pour diminuer les effets de la rupture de tirage et de la turbulence du vent.
- Tenez compte de l'emplacement des solives de plancher et de plafond et des chevrons de grenier avant l'installation.

La ligne de toiture, les arbres, les vents dominants et les collines peuvent avoir un impact sur le rendement du poêle à bois. Votre détaillant régional est un expert qui pourra vous proposer des solutions simples à vos problèmes de conduit de fumée.

NOTE: Il s'agit d'information générale. La situation peut être différente selon le cas.

IMPORTANT: Nous vous recommandons fortement que l'installation du poêle à bois et de la cheminée se fasse par un installateur qualifié. (Un installateur qualifié est toute personne ou entité qui installe régulièrement des produits de chauffage au bois et des cheminées dans le cadre de son travail normal).

LE RÉSEAU DE VENTILATION

Le réseau de ventilation est composé d'un carneau (aussi appelé tuyau de poêle) et d'une cheminée. Ces pièces sont très chaudes lors de l'utilisation de l'appareil. La température à l'intérieur de la cheminée peut être supérieure à (1100 °C) lors d'un incendie de créosote. Le carneau et la cheminée doivent être bien installés et entretenus afin d'empêcher un incendie de maison. Il faut utiliser un manchon d'emboîtement approuvé lorsque le raccordement de la cheminée se fait à travers un mur combustible. Il faut utiliser un support de cheminée lorsqu'il y a un raccordement à une cheminée préfabriquée à travers un plafond. Ces pièces sont absolument nécessaires afin de s'assurer que l'espace de dégagement des murs et des plafonds combustibles est suffisant. Suivez les instructions du fabricant sur l'espace de dégagement lors de l'installation du réseau de ventilation.

OUTILS ET FOURNITURES DE CONSTRUCTION

Assurez-vous d'avoir les outils et les fournitures de construction qui figurent ci-dessous avant de commencer l'installation :

| | |
|--------------------|---|
| Scie alternative | Matériel de finition |
| Pince | Produit de calfeutrage haute température |
| Marteau | Gants |
| Tournevis Phillips | Équerre de charpentier |
| Tournevis plat | Perceuse électrique et forêts (1/4 po) |
| Fil à plomb | Lunette de sécurité |
| Niveau | 1/2 po - 1/4 po longueur, no 6 ou |
| Ruban à mesurer | no 8 vis auto-foreuse (raccordement des tuyaux) |



AVERTISSEMENT



Risque d'asphyxie

- NE raccordez PAS cet appareil à un conduit de cheminée qui est raccordé à un autre appareil.
- Ne raccordez PAS à un tuyau ou à un système de distribution de l'air.

Les gaz de cheminée pourraient se propager dans la maison.

VÉRIFIEZ L'APPAREIL ET LES PIÈCES ET UTILISEZ LA LISTE DE CONTRÔLE



| | |
|-----|---|
| 1. | Placez l'appareil près de l'endroit où il sera installé et suivez les instructions ci-dessous : |
| 2. | Ouvrez l'appareil et retirez les pièces qui se trouvent dans l'emballage. Vérifiez les pièces et la vitre pour savoir si la livraison a occasionné des dommages. Avisez le vendeur en cas d'irrégularité. |
| 3. | Lisez et respectez tous les avertissements. |
| 4. | Lisez le manuel du propriétaire. |
| 5. | La protection du plancher est conforme aux normes. |
| 6. | Le système de ventilation est bien installé. |
| 7. | L'espacement entre l'appareil, la cheminée et le matériel combustible est conforme. |
| 8. | La cheminée en maçonnerie a été inspectée par un professionnel et est propre. La cheminée préfabriquée en métal est installée conformément aux instructions du fabricant—l'espace de dégagement est conforme. |
| 9. | La cheminée respecte les normes de hauteur minimum. |
| 10. | Les étiquettes ont été retirées de la vitre de porte. |
| 11. | Il y a une prise de courant à proximité en cas d'installation d'un ventilateur optionnel. |



AVERTISSEMENT



Risque de feu

Faites une vérification de l'appareil et des pièces pour savoir s'il y a des dommages. Il est possible que l'appareil ne puisse fonctionner correctement s'il y a des dommages.

- N'installez PAS des pièces endommagées.
- N'installez PAS des pièces incomplètes.
- N'installez PAS des pièces de rechange.

Informez le détaillant des pièces endommagées.

Installation ordinaire

Le poêle raccordé à une cheminée en maçonnerie comporte les pièces suivantes :

- Poêle
- Carneau de fumée (tuyau de poêle)
- Manchon d'emboîtement (virole)
- Cheminée en maçonnerie
- Protège plancher

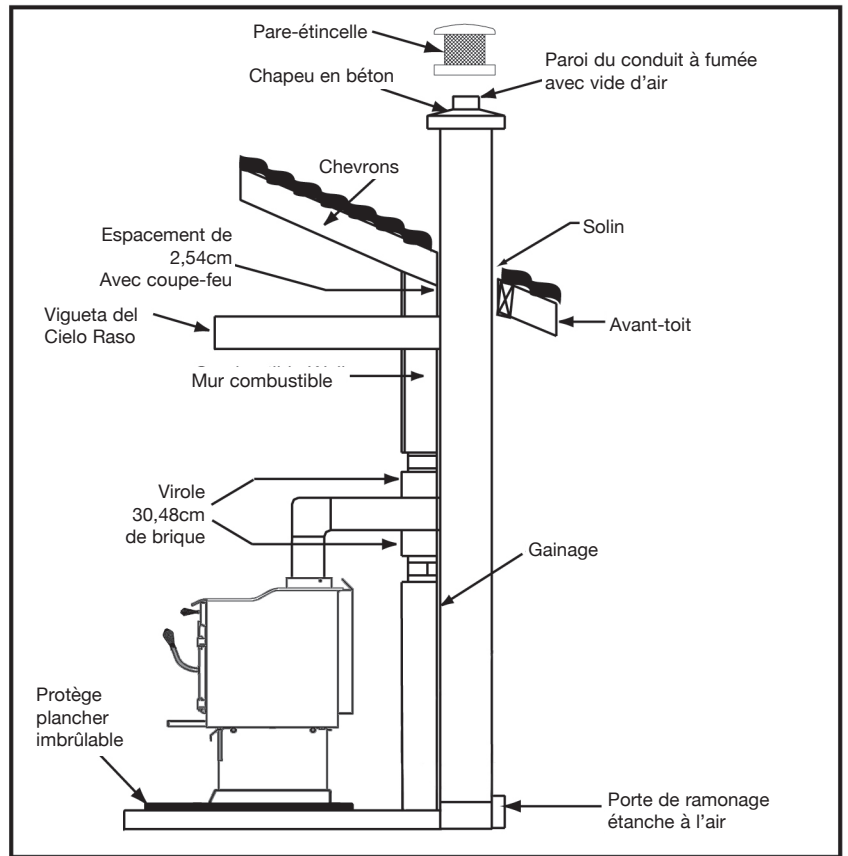


Illustration 4.1 Cheminée en maçonnerie

Le poêle avec cheminée en acier préfabriqué comporte les pièces suivantes :

- Poêle
- Carneau de fumée (tuyau de poêle)
- Virole (pour cheminée extérieure)
- Coupe-feu
- Bouclier thermique
- Solin et collet
- Mitre
- Protège plancher

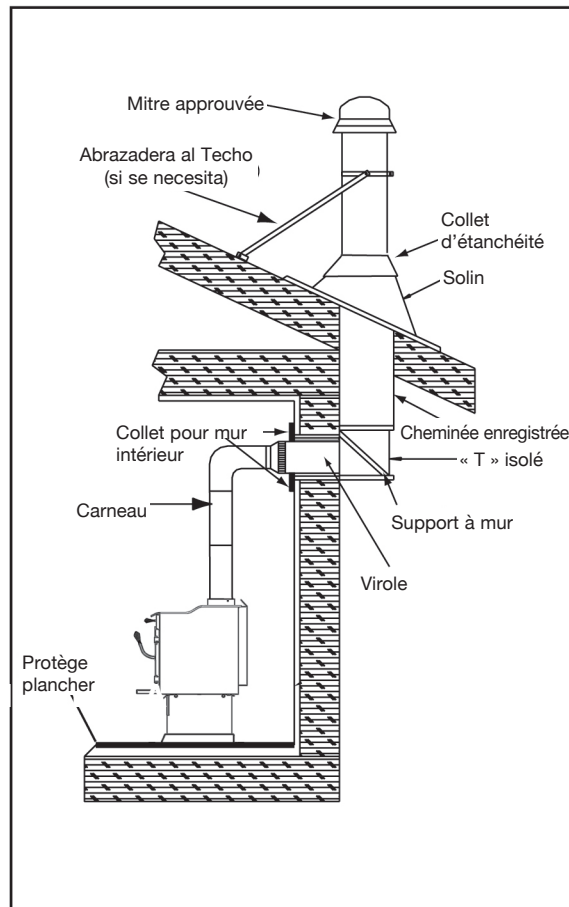


Illustration 4.2 Cheminée d'extérieur préfabriquée

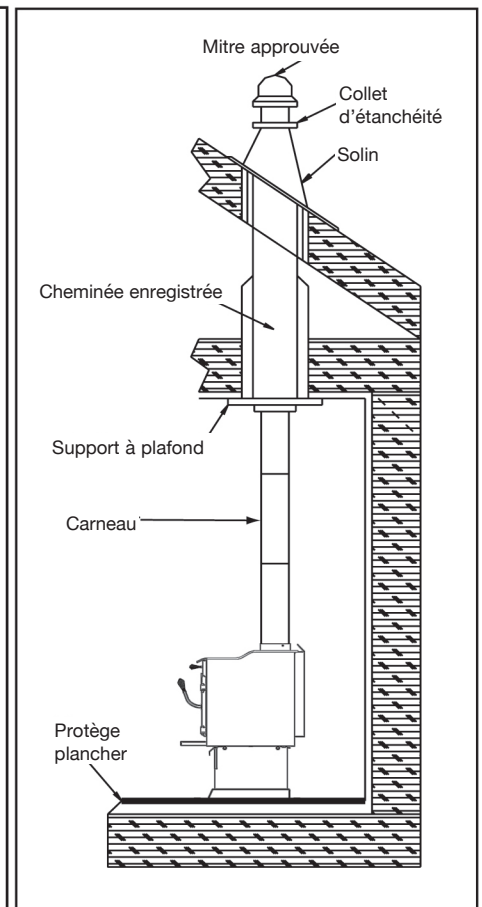


Illustration 4.3 Cheminée d'intérieur préfabriquée

NORMES D'INSTALLATION DE LA CHEMINÉE

VENTILATION

CARNEAU DE FUMÉE :

On l'appelle aussi le tuyau de poêle, Le carneau de fumée raccorde le poêle à la cheminée. Il doit avoir un diamètre d'au moins 15,24cm et une épaisseur de 24 d'acier doux noir, ou un tuyau d'évacuation de l'air à double paroi, hermétique (aéro-isolé) et homologué.

Virole:

Une pièce fabriquée en usine et installée par le constructeur à l'intérieur d'un mur combustible et raccordée au tuyau de poêle et à la cheminée. Cette pièce empêche les murs de prendre feu. Les viroles installées par le constructeur doivent satisfaire les normes NFPA 211. La virole préfabriquée doit être raccordée à une cheminée compatible et satisfaire les normes UL103 Type HT. Il faut suivre les instructions du fabricant de viroles et les instructions pour les cheminées en maçonnerie et les cheminées préfabriquées.

Cheminée:

On peut utiliser une cheminée neuve ou une cheminée en maçonnerie ou préfabriquée. La cheminée doit satisfaire les normes indiquées dans la section 5B.B.

LA CHEMINÉE

Cheminée préfabriquée en métal

- Il faut un diamètre de 15,24cm (D.int.) cheminée haute température conforme aux normes UL 103HT (1149 °C) ou CAN/ULC-S629.
- Il faut utiliser les pièces exigées par le fabricant lors de l'installation.
- Il faut que les espaces de dégagement soient conformes aux exigences du fabricant lors de l'installation.
- Suivez les instructions d'installation du fabricant.

NOTE : Au Canada, les cheminées préfabriquées doivent satisfaire aux normes de sécurité Type UL103 HT (1149 °C) CATÉGORIE « A » ou CAN/CAN/ULC-S629, NORME 650 °C Cheminée préfabriquée.

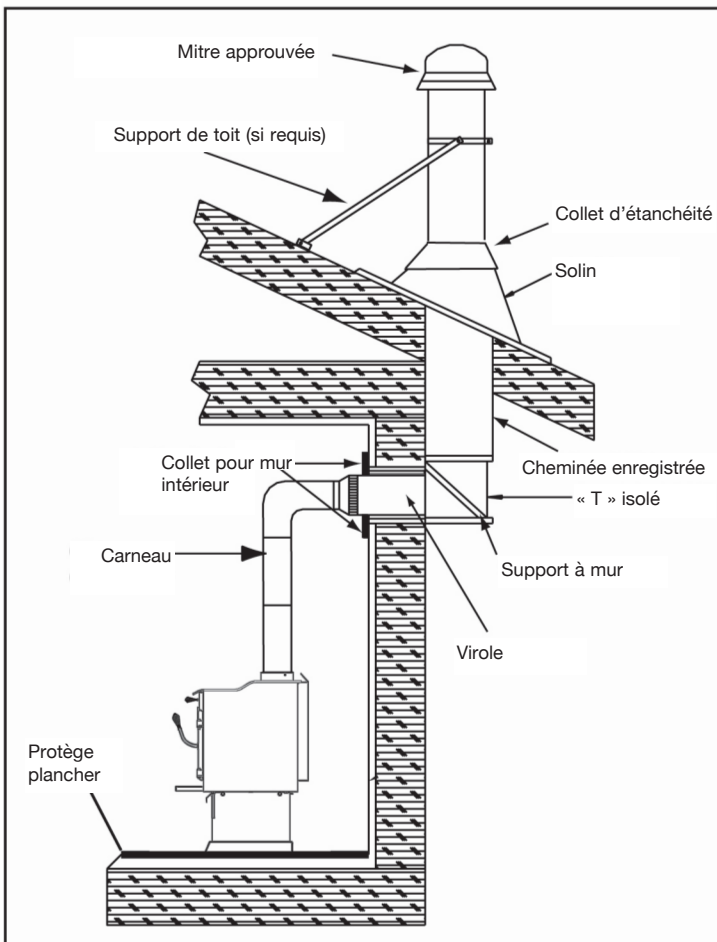


Illustration 5.1 Cheminée extérieure préfabriquée

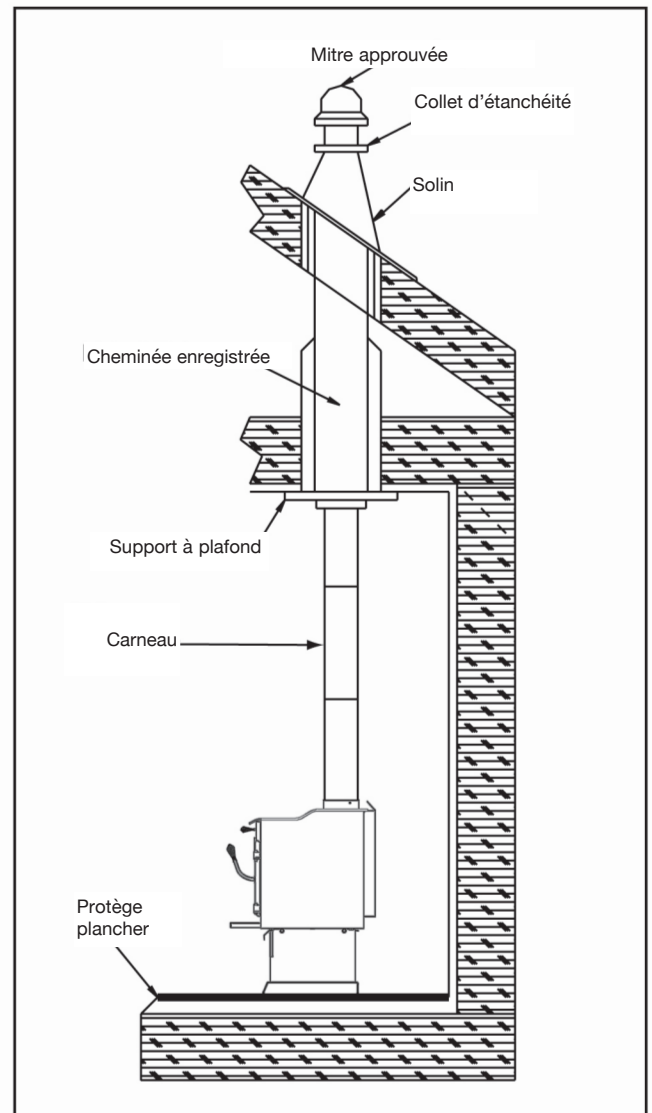


Illustration 5.2 Cheminée intérieure préfabriquée

Virole

Installation d'une cheminée en maçonnerie :

Pièces :

- Une longueur minimum de 30cm (plus long pour mur plus épais). Une cheminée préfabriquée à isolant rigide et conforme à la norme UL 103 Type HT (15cm) de diamètre intérieur. Il doit y avoir un écart d'au moins 5cm entre la cheminée et le mur intérieur et un écart d'au moins 2,54cm entre la cheminée et le mur extérieur.
- L'espaceur de mur, le collier et l'anneau doivent être compatibles avec la cheminée à isolant rigide.
- Il faut une doublure d'argile d'au moins 20cm de diamètre (si elle n'est pas déjà dans la cheminée), et du mortier réfractaire.

Espacement

- L'espace de dégagement des cheminées en maçonnerie doit être conforme à la norme NFPA 211, soit un espace minimum de 5cm des pièces de support de la tôle et des matières combustibles.
- Un espace d'au moins 2,54cm autour du carneau de fumée.
- L'ouverture du haut du mur est au moins à 3,81cm du plafond ou 11,43cm au-dessous de l'espacement indiqué par le fabricant du carneau. L'espacement vertical minimal (NFPA 211) est de 45,72cm entre le carneau et le plafond. Il y a aussi l'espacement minimal recommandé par le fabricant du carneau. (Voir l'illustration 6.1).

Instructions:

1. Faites une ouverture dans le mur à la hauteur appropriée afin de mettre le carneau dans la cheminée en maçonnerie. (Voir l'illustration 6.1).
2. Il faut poser avec du mortier réfractaire une doublure d'argile (ou l'équivalent) d'au moins 20,32 cm de diamètre dans l'ouverture de la cheminée en maçonnerie.
3. Fabriquez un cadre de 43,18cm par 43,18cm avec des montants 2 x 2 (5cm x 5cm) pour l'ouverture du mur. L'ouverture intérieure du cadre ne doit pas être inférieure à 35,56 cm x 35,56cm. (Voir l'illustration 6.1).
4. Attachez la barre de raccord au mur à la partie du cadre qui est du côté de la cheminée.
5. Clouez le cadre à l'ouverture du mur. La barre de raccord doit être du côté de la cheminée.
6. Insérez la cheminée à isolant rigide dans le mur extérieur de la cheminée en maçonnerie.
7. Utilisez l'anneau pour fixer solidement la cheminée à isolant rigide à la cheminée en maçonnerie.
8. Insérez le carneau dans la cheminée. Soyez certain qu'il ne dépasse pas la doublure d'argile à l'intérieur de la cheminée.
9. Étanchéisez l'extrémité de la virole à la doublure d'argile avec du mortier réfractaire.
10. Installez le collier autour de la cheminée à isolant rigide.

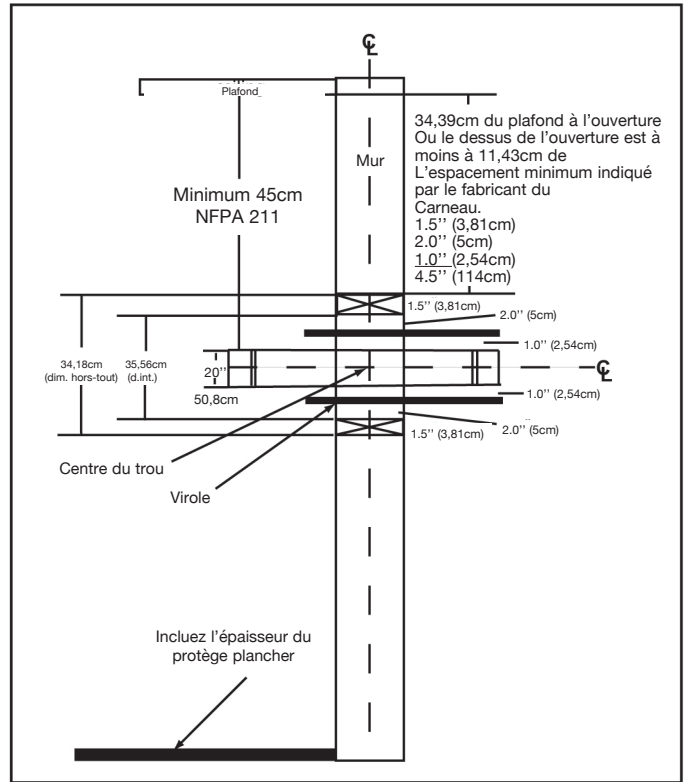


Illustration 6.1

Cheminée à isolant rigide avec support de métal (virole)

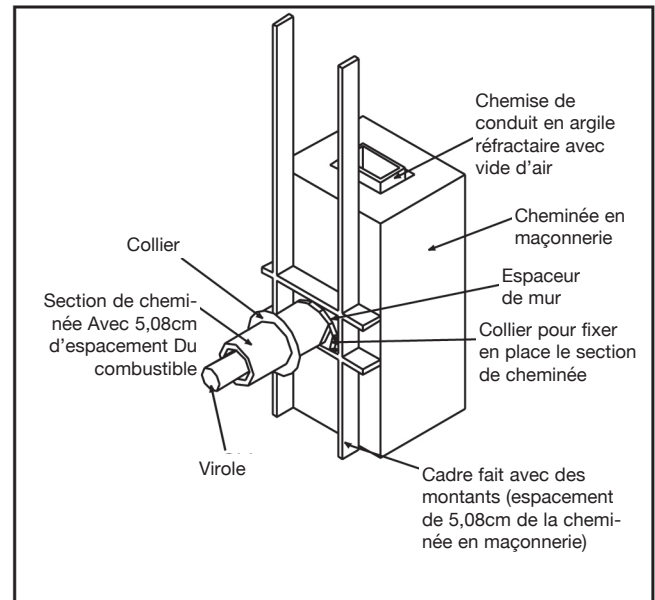


Illustration 7.1



AVERTISSEMENT



Risque de Feu

NE mettez PAS un isolant ou un autre combustible entre les espaceurs.

- L'espacement du système d'aération et des espaceurs doit TOUJOURS être conforme.
- Installez les espaceurs tel qu'indiqué.

Il peut avoir un feu si l'espacement entre l'isolant ou autre matériel et le tuyau d'aération n'est pas suffisant.

Suite : Cheminée à isolant rigide avec support de métal (virole)

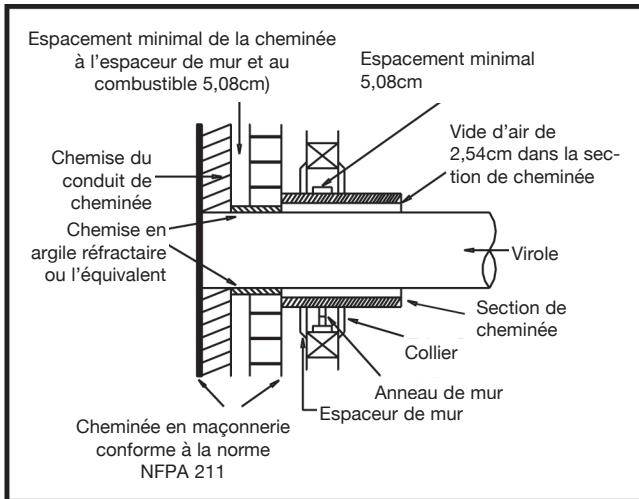


Illustration 7.2

Cheminée (hauteur, longueur, largeur)

Ce produit a été conçu et testé pour une cheminée de 15,24cm dont la hauteur est de 4,27 m à 4,88 m (en tenant compte de la hauteur du poêle) lorsque mesuré de la base de l'appareil. Les risques de problèmes de rendement augmentent lorsqu'on ne tient pas compte de ce diamètre et de cette hauteur. Il sera peut-être nécessaire d'augmenter la hauteur de la cheminée de 2% pour chaque 304,8 mètres au-dessus du niveau de la mer. Il n'est pas recommandé d'utiliser des déviements ou des coudes à une altitude supérieure à 1219,2 mètres au-dessus du niveau de la mer ou lorsque d'autres facteurs affectent le tirage cheminée.



AVERTISSEMENT



Risque de feu.

Inspection de la cheminée:

- La cheminée doit être en bon état.
- Elle doit satisfaire à la norme NFPA 211
- La cheminée préfabriquée doit être de 15cm UL103HT.



AVERTISSEMENT



Risque d'asphyxie

- NE raccordez PAS cet appareil à un conduit de cheminée qui est raccordé à un autre appareil.
- Ne raccordez PAS à un tuyau ou à un système de distribution de l'air. Les gaz de cheminée pourraient se propager dans la maison.

INSTALLATION DE COMPOSANTS DE CHEMINÉE

Tuyau de raccordement

Connecteur à simple paroi ou tuyau de poêle.

Ce doit être au moins de calibre 24 en acier doux. Les sections doivent être fixées à l'appareil et l'autre avec le serti (mâle) fin pointant vers le poêle. Tous les joints, y compris le raccordement à la buse, doit être fixé avec des vis en tôle. Assurez-vous de suivre les dégagements minimaux aux matériaux combustibles. Lorsque le passage à travers le mur, ou une partition de construction combustible est souhaitée au Canada, l'installation doit être conforme aux CAN/CSA-B365.

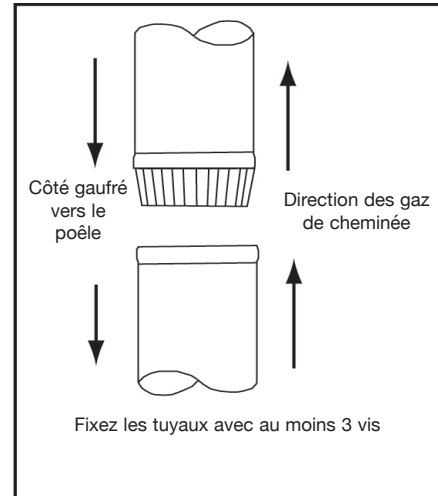


Illustration 8



AVERTISSEMENT



Risque de feu.

Suivez les instructions du fabricant du carneau.

Utilisez SEULEMENT un carneau:

- Dans la pièce, entre l'appareil et le plafond ou le mur. Le carneau NE DOIT PAS passer à travers:
- Le grenier et le vide sous toit.
- Un garde-robe ou d'autres vides de construction.
- Un plancher ou un plafond.

Il faut un espace minimum entre les matières combustibles



AVERTISSEMENT

Une installation incomplète, un ajustement, une modification, réparation ou entretien inadéquat peuvent causer des blessures ou dommages matériels. Lisez le manuel de l'utilisateur fourni avec l'appareil. Contactez un installateur qualifié, un centre de services ou le détaillant pour obtenir de l'aide ou de plus amples renseignements.

Normes relatives à l'extrémité de la cheminée

Suivez les instructions du fabricant en ce qui a trait à l'espace de dégagement, le solin et l'extrémité de la cheminée.

- La mitre doit être enregistrée et approuvée
- Il ne doit pas se trouver à un endroit où la neige ou une chose pourrait le boucher.
- L'extrémité verticale doit être à au moins 91 cm du toit et dans un rayon horizontale d'au moins 3,05 mètres du toit à une hauteur de 61cm.
- Ne dois pas être près d'arbres, structure, etc.

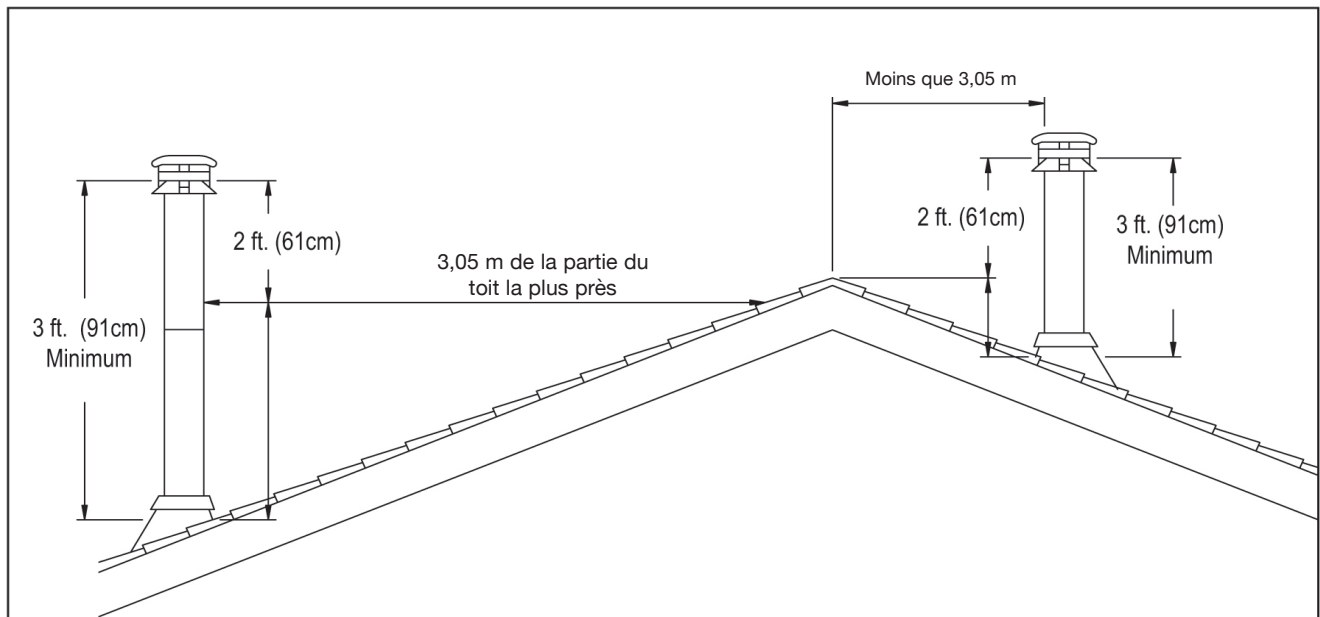
NOTE:

- Le rendement de la cheminée peut varier.
- Les arbres, édifices, lignes de toiture et les vents affectent le rendement.

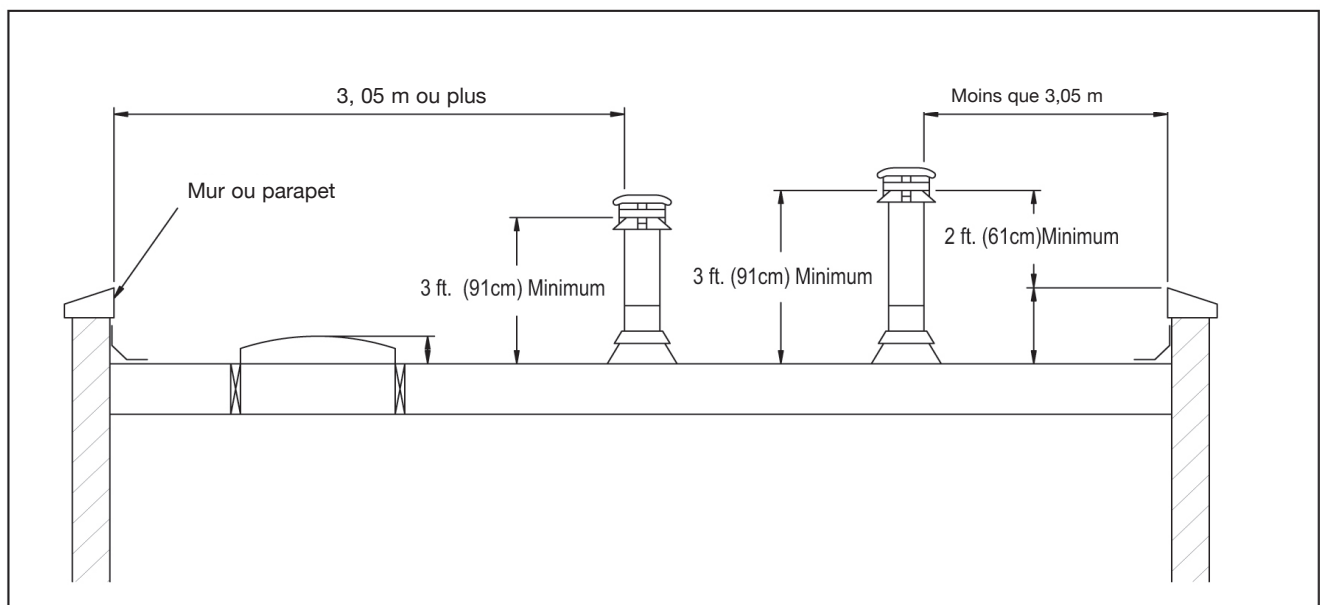
Il sera peut-être nécessaire d'ajuster la hauteur de la cheminée s'il y a trop de fumée ou de tirage.

2-10-3 Règles

Il s'agit de règles de sécurité plutôt que de procédures pour améliorer le tirage



Toit incliné

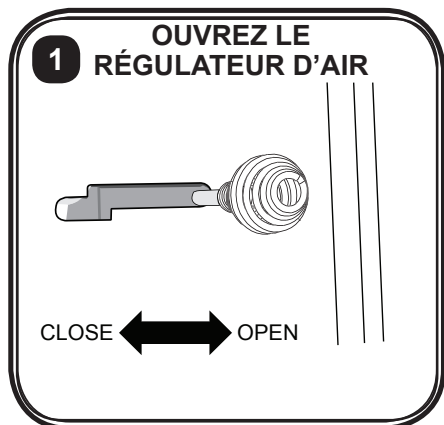


Toit plat

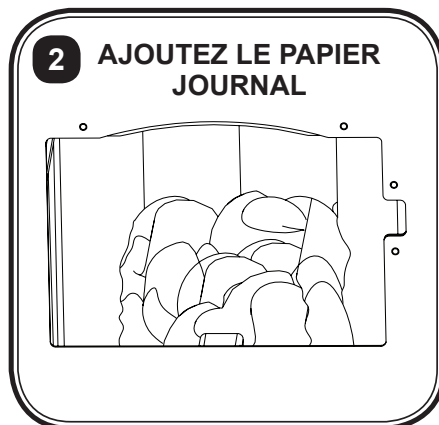
GUIDE DE DÉMARRAGE RAPIDE DU POÊLE À BOIS

ARTICLES NÉCESSAIRES POUR FAIRE VOTRE PREMIER FEU:

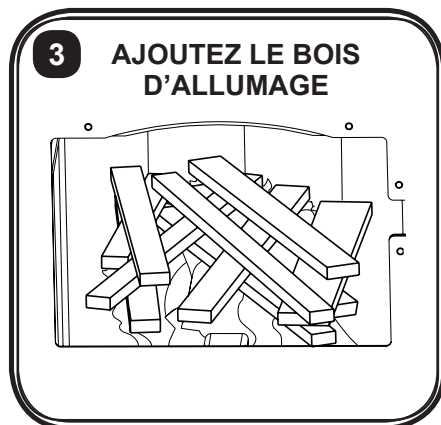
- 10 à 15 feuilles de papier journal roulées en boules
- 10 à 20 morceaux de bois d'allumage
- Quelques morceaux de bois sec fendu



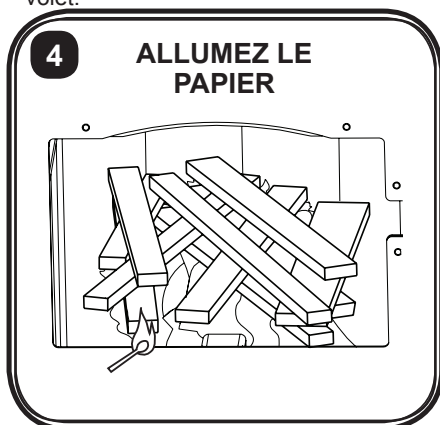
Faites glisser le contrôle de l'amortisseur tout le chemin vers la droite pour ouvrir complètement le volet.



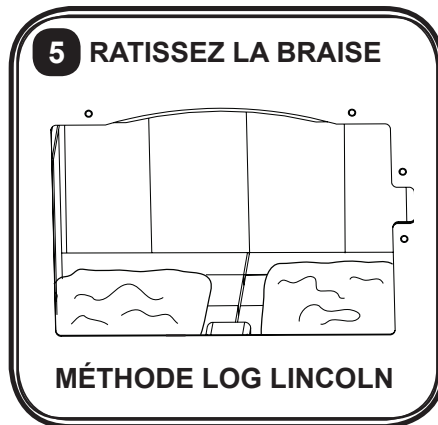
Ajoutez de 10 à 15 feuilles de papier journal roulées en boules dans la chambre de combustion.



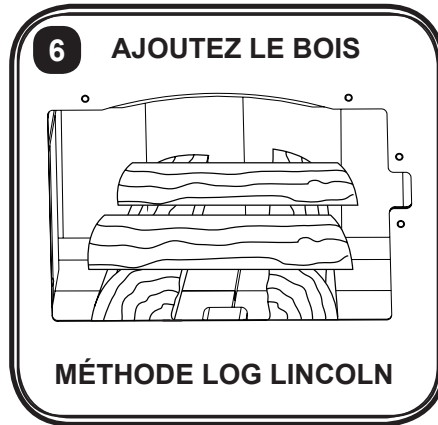
Empilez uniformément de 10 à 20 petits morceaux de bois d'allumage autour du papier journal.



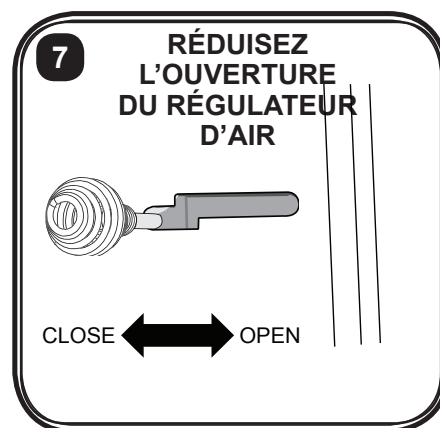
Allumez avec précaution le papier journal à l'aide d'une allumette pour foyer ou d'un long briquet.



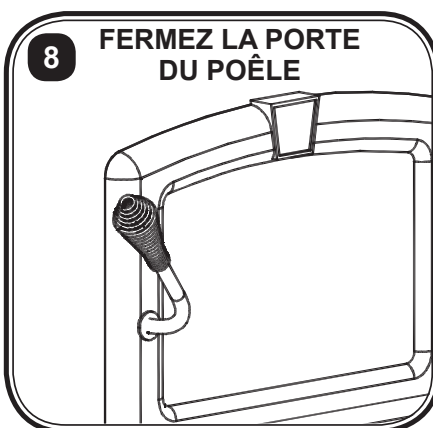
Ratissez la braise de façon à créer une cavité de l'avant à l'arrière, au centre de la chambre de combustion, en vous assurant que la quantité de braise à gauche et à droite est la même.



Ajoutez des morceaux de bois sec fendu dans la chambre de combustion à la manière des rondins Lincoln.



Faites glisser le contrôle de l'amortisseur tout le chemin à gauche et laissez la porte du poêle fendu pendant 5 minutes.



Une fois que le feu brûle bien, fermez et enclenchez complètement la porte du poêle.



Des questions, des problèmes, des pièces manquantes? Avant de retourner l'article au détaillant, appelez notre service à la clientèle au 1 877 447 4768, entre 8 h 30 et 16 h 30 (HNC), du lundi au vendredi, ou écrivez-nous à customerservice@ghpgroupinc.com

UTILISATION

N'utilisez pas un porte-bûches et ne surélevez pas le feu. Préparez le feu sur l'âtre. La peinture dégagera une odeur lors de la première utilisation.

BOIS

Cet appareil de chauffage est conçu pour brûler du bois seulement. Il y a moins d'émissions et le rendement est meilleur avec du bois dur séché à l'air durant une année plutôt qu'avec du bois mou, du bois vert ou du bois dur fraîchement coupé. Utilisez seulement du bois dur séché durant une année. La valeur combustible du bois vert n'est que de 60 % la valeur combustible du bois séché. Le bois vert laisse également des dépôts de créosote dans le poêle et la cheminée ce qui constitue un grave danger de feu de cheminée. Un bois séché est un bois qui a pu sécher pendant une année. Le bois doit être à l'abri des intempéries et dans un endroit bien ventilé pour bien sécher pendant l'année, et ce, peu importe le type de bois (bois vert ou bois séché durant une année). Il faut un espace suffisamment grand entre le bois et les combustibles.

NE BRÛLEZ PAS:

- du bois traité • des solvants • des ordures • du charbon
- des déchets • du carton • du papier de couleur

INSTRUCTIONS POUR LE PREMIER FEU – DURCISSEMENT DE LA PEINTURE

Votre poêle a été peinturé avec une peinture à poêle de la meilleure qualité et il y a une procédure à suivre lors des premières utilisations. La chaleur aura pour effet de durcir la peinture lors de l'utilisation du poêle. Il faut aérer la maison lors des trois premières utilisations du poêle. La peinture du poêle dégagera de la fumée, du dioxyde de carbone et une odeur. La fumée peut nuire à la santé et/ou causer un dommage matériel si la ventilation est inadéquate. Ouvrez les portes et les fenêtres et utilisez un ventilateur, si nécessaire. La peinture aura durci après les premières utilisations et il ne devrait plus avoir de fumée.

Voici la procédure à suivre pour les premiers feux :

1. La température et la durée approximative du premier et du deuxième feu devraient être de 120 degrés Celsius et 20 minutes.
2. La température du troisième feu devrait être entre 260 degrés Celsius et 370 degrés Celsius pendant au moins 45 minutes. Il est important de savoir que le durcissement de la peinture doit s'effectuer lentement. Évitez de faire des feux à température trop élevée durant la période de durcissement. La peinture sera gommeuse durant la période de durcissement. La peinture sera dure après la période de durcissement. Il est normal de voir des taches sur la peinture du poêle. Les surfaces peintes qui sont plus exposées à la chaleur forment des taches sur le poêle. Les taches brillantes causées par la friction des emballages de pièces devraient disparaître durant le durcissement de la peinture.

INFO:

1. Assurez-vous de bien ventiler.
2. Attendez que la peinture soit durcie avant de faire des feux à haute température pendant de longues périodes de temps.
3. Il est normal de voir des taches sur la peinture.
4. Il est normal de voir des taches brillantes sur la peinture avant l'utilisation.
5. Appelez le détaillant si vous avez des questions.

FAIRE UN FEU

1. Tirez la manette d'admission d'air jusqu'au bout.
2. Placez un peu de papier froissé dans le poêle.
3. Mettez une grande quantité de bois d'allumage en forme de tipi sur le papier et quelques morceaux de bois.
4. Allumez le papier et fermez la porte. Ouvrez un peu la porte si le feu est presque éteint.
5. Utilisation de la méthode log lincoln, alimentez le feu en ajoutant de plus gros morceaux de bois. Soyez prudent : n'ajoutez pas trop de bois.
6. L'appareil fonctionne de manière optimale lorsque l'air peut circuler librement dans la chambre de combustion. La meilleure façon de procéder est de dégager un espace de 2,54 cm à 5,08 cm d'une extrémité à l'autre de la chambre de combustion avant d'allumer.
7. Fermez la porte et tirez sur la manette d'admission d'air jusqu'au bout. Attendez l'allumage complet (approx. 10 minutes). Évitez de faire un trop gros feu.
8. Contrôlez le temps de combustion avec la manette. Tirez un peu sur la manette jusqu'à ce que le bois s'enflamme de nouveau si la chambre de combustion est trop enfumée. De manière générale, le réglage est le suivant : (fermez-minimum), (1/2 moyen), (haute 100%).
9. Tirez au maximum sur la manette lorsque vous ajoutez du bois. Ouvrez la porte lentement et avec précaution lorsque le feu brûle afin de ne pas libérer des gaz qui causent des flammes et de la fumée.
10. Assurez-vous de ne pas mettre trop de bois.
11. Ne faites pas un feu près d'une vitre puisqu'elle pourrait briser.

ATTENTION: Il y a des risques avec certains combustibles (charbon de bois), ainsi que la possibilité de générer du monoxyde de carbone, dont il existe des risques associés à également.

N'UTILISEZ JAMAIS D'ESSENCE, COMBUSTIBLE À LANTERNE, KÉROSÈNE, COMBUSTIBLE À CHARBON ET LES AUTRES PRODUITS SIMILAIRES POUR ALLUMER UN FEU OU POUR ENTREtenir UN FEU DANS CET APPAREIL. GARDEZ CES PRODUITS LOIN DE L'APPAREIL LORS DE SON UTILISATION.

ENTRETIEN DE LA VITRE

Suivez les instructions et les conseils de sécurité suivants :

1. Vérifiez souvent la vitre : éteignez immédiatement le feu si vous voyez une fissure ou une cassure et contactez votre détaillant pour un remplacement.
2. Fermez la porte lentement et ne frappez pas la vitre. Pour ne pas abîmer la vitre, soyez certain qu'aucun morceau de bois ou objet ne dépasse avant de fermer la porte
3. Ne nettoyez pas la vitre avec des produits qui pourraient abîmer ou égratigner la vitre. Les égratignures peuvent fissurer ou casser la vitre.
4. Ne nettoyez jamais la vitre lorsque l'appareil est chaud. Il est possible de nettoyer la vitre avec un nettoyant à vitre et un tampon à récurer non abrasif et d'enlever les taches plus coriaces avec un produit à nettoyer les fours.
5. Ne mettez jamais des produits explosifs dans l'appareil puisqu'il suffit d'une petite explosion pour faire éclater la vitre.
6. Cet appareil est muni d'un système de nettoyage à l'air qui réduit la quantité de dépôt sur la vitre.
7. Des résidus pourraient apparaître sur la vitre lors du fonctionnement habituel. Les nettoyants pour vitres ordinaires enlèvent ces résidus efficacement. Les résidus plus résistants peuvent être nettoyés à l'aide d'un linge humide trempé dans les cendres de bois ou à l'aide d'un nettoyant pour four offert sur le marché.

NE REMPLACEZ LA VITRE QUE PAR UNE VITRE EN CÉRAMIQUE DE 5 MM DU GROUPE GHP (VOIR LES PIÈCES DE RECHANGE À LA PAGE 18).

REPLACEMENT DE LA VITRE

ATTENTION: Assurez-vous que le feu est éteint et que le poêle est froid au toucher.

1. Choisissez un endroit où il sera possible de l'enlever de manière sécuritaire et sans causer de dommages dans la maison.
2. Mettez des gants de sécurité et enlevez les écrous capuchons des tiges de charnières et soulevez la porte.
3. Placez la porte face en dessous sur la surface sécuritaire identifiée à l'étape 2.
4. Enlevez les vis qui tiennent la vitre et enlevez la vitre brisée en vous assurant qu'il n'y a pas d'éclats de verre dans le cadre (la nouvelle vitre ne sera pas hermétique et la combustion du poêle sera moins efficace s'il reste des petits morceaux de vitres).
5. Posez le joint d'étanchéité (voir pièces de remplacement « GHP Group » à la page 18) à la nouvelle vitre et posez-la dans le cadre de la porte.

6. Remettez les vis de fixation de la vitre en vous assurant de ne pas fausser le filetage et de trop serrer.
7. Placez la porte dans les charnières et mettez de nouveaux écrous capuchons achetés de « GHP Group » sur les tiges pour solidifier la porte.

REPLACEMENT DU JOINT D'ÉTANCHÉITÉ

Le joint d'étanchéité de la vitre et de la porte doit parfois être remplacé s'il n'assure plus l'étanchéité après une longue période d'utilisation. Vérifiez régulièrement le joint d'étanchéité de la vitre et de la porte afin de vous assurer de son étanchéité. Remplacez le joint d'étanchéité immédiatement s'il est effrité ou usé.

Contactez le détaillant ou le service à la clientèle de GHP Group pour obtenir des pièces de remplacement approuvées. Suivez les étapes suivantes pour remplacer le joint d'étanchéité de la vitre :

1. Soyez certain que l'appareil est complètement froid et éteint.
2. Enlevez la vis et l'attache de vitre.
3. Enlevez la vitre de l'attache.
4. Enlevez le joint d'étanchéité et nettoyez la vitre.
5. Installez le nouveau joint en commençant par le bas de la vitre. Assurez-vous de bien le centrer dans la rainure.
6. Ajustez la longueur et collez les deux bouts.
7. Installez la vitre dans la porte. Ne serrez pas trop la vis et l'attache.

Suivez les étapes suivantes pour remplacer le joint d'étanchéité de la porte :

1. Soyez certain que l'appareil est complètement froid et éteint.
2. Enlevez le vieux joint de la porte et nettoyez la rainure.
3. Mettez une mince couche de pâte à ciment approuvée et résistante à des températures très élevées dans la rainure.
4. Commencez l'installation du côté des charnières de porte et suivez la rainure. Coupez et joignez les deux bouts.
5. Fermez la porte et permettez au ciment de durcir pendant trois ou quatre heures avant d'utiliser l'appareil de nouveau.

CREOSOTE

Créosote – Formation et besoin de nettoyage

Lorsque le bois brûle lentement, il produit du goudron et d'autres vapeurs organiques qui se mélangent à l'humidité qui se dégage pour former de la créosote. Les vapeurs de créosote d'un feu à combustion lente se condensent dans le conduit de fumée relativement froid. Par conséquent, des résidus de créosote s'accumulent dans le conduit de fumée. Lorsqu'elle s'enflamme, cette créosote produit un feu extrêmement chaud.

Le raccord de la cheminée ainsi que la cheminée devraient être inspectés au moins tous les deux mois pendant la période de chauffage pour vérifier qu'il ne s'est pas formé de créosote.

Si de la créosote s'est formée (3 mm ou plus), elle devrait être retirée afin de réduire le risque de feu dans la cheminée.



MOYENS DE PRÉVENIR ET NETTOYER LA MACHINE DE LA CRÉOSOTE

1. Ouvrez la manette d'admission d'air plusieurs fois par jour durant la saison de chauffage en vous assurant toutefois de ne pas trop attiser le feu. Cela enlève la pellicule de créosote qui s'accumule lorsque le feu brûle lentement.
2. Laissez la manette d'admission complètement ouverte pendant quelques minutes lorsque vous ajoutez du bois : le bois se transformera en charbon de bois plus rapidement et brûlera les vapeurs qui pourraient se loger à l'intérieur.
3. **BRÛLEZ SEULEMENT DU BOIS SÈCHÉ.** Il est déconseillé de brûler du bois humide ou du bois vert. Le bois doit avoir séché pendant au moins une année.
4. Un petit feu est mieux qu'un gros feu couvant qui laisse des dépôts de créosote.
5. Mettez au point une procédure d'allumage du feu. Vous saurez à quelle fréquence il faut enlever la créosote de l'appareil afin d'assurer une utilisation sécuritaire si vous le vérifiez quotidiennement. Sachez qu'il y a moins de créosote lorsque le feu dégage plus de chaleur. Un nettoyage hebdomadaire.

AVERTISSEMENT: À faire en cas de feu de cheminée:

1. **FERMEZ LE RÉGULATEUR DE TIRAGE.**
2. **TÉLÉPHONEZ LE SERVICE D'INCENDIE.**

LES CENDRES

Cet appareil est doté d'un plateau à cendres pour faciliter le ramassage. Il faut enlever les cendres à un intervalle de quelques jours lorsque l'appareil fonctionne fréquemment ou les enlever lorsqu'elles atteignent une hauteur de 7cm à 10cm dans la chambre de combustion. Il faut enlever les cendres lorsque le feu est éteint et lorsqu'elles ne sont plus chaudes—il pourrait encore avoir des morceaux de braise.

Élimination des cendres :

Les cendres devraient être déposées dans un contenant en acier muni d'un couvercle étanche. Le contenant à cendres devrait être transporté à l'extérieur immédiatement et entreposé sur un plancher incombustible ou sur le sol directement, à bonne distance de tout matériau combustible, en attendant l'élimination définitive des cendres. Si les cendres sont éliminées par enfouissement dans le sol ou par dispersion, elles doivent rester dans le contenant fermé jusqu'à ce qu'elles aient complètement refroidi. Aucun autre déchet ne doit être placé dans ce contenant.

MOYEN LE TIROIR À CENDRES

NOTE: Le charbon peut être chaud même si le poêle est frais au toucher

1. Assurez-vous que le poêle est froid.
2. Ouvrez la porte de vitre et soulevez la brique réfractaire du tiroir à cendres en tirant sur le crochet avec un tisonnier. Placez-la à côté dans la chambre de combustion.
3. Utilisez un balai pour faire tomber les cendres dans l'ouverture qui se trouve au-dessus du tiroir à cendres.
4. Soyez certain qu'il n'y a plus de débris près de l'ouverture. Cela est important puisque la brique réfractaire devra être placée à plat sur le support de métal du poêle. Le poêle ne fonctionnera pas correctement si la brique n'est pas bien installée.
5. Mettez des gants et sortez le tiroir à cendres en tenant la base afin d'éviter qu'il tombe au sol.
6. Mettez les cendres dans un contenant de métal muni d'un couvercle hermétique.
7. Installez le tiroir à cendres et la brique réfractaire.

IMPORTANT

CONSEIL PRATIQUES

1. Quelle est la bonne façon d'allumer un feu?

- a) Il faut utiliser des petits morceaux de bois d'allumage séché et du papier. Utilisez seulement des journaux ou des papiers sur lesquels rien n'a été ajouté, par ex. colle, substance, etc.
- b) Ouvrez la porte du poêle à bois.
- c) Froissez plusieurs morceaux de papier et placez-les sur les briques réfractaires au centre de la chambre à combustion du poêle. N'utilisez jamais une grille à feu pour surélever le feu.
- d) Placez des petits morceaux de bois d'allumage séchés en forme de tipi sur le papier afin d'obtenir une bonne circulation d'air—un élément essentiel pour une combustion optimale.
- e) Allumez le papier froissé à 2 ou 3 endroits. Note : Il est important de réchauffer l'air dans le tuyau du poêle pour que le tirage débute.
- f) Tirez complètement sur la manette d'admission d'air du poêle et fermez presque complètement la porte afin de laisser pénétrer de l'air dans la chambre de combustion. Ne laissez jamais la porte complètement ouverte puisque des éclats du bois d'allumage pourraient causer des blessures ou du dommage matériel. Il sera peut-être nécessaire d'ajouter d'autre bois d'allumage lorsque le bois commencera à le brûler. **N'AJOUTEZ PAS** d'autre papier lorsque le feu est allumé.

g) Commencez à ajouter les plus petits morceaux de bois séché lorsque le bois d'allumage commence à brûler. NOTE: Le feu étouffera si vous ajoutez des gros morceaux de bois. Continuez à ajouter des petits morceaux de bois séché en laissant la porte un peu ouverte jusqu'à ce que chaque morceau commence à prendre feu. N'oubliez pas qu'il faut ouvrir la porte lentement.

h) Fermez complètement la porte du poêle à bois lorsque le bois brûlera et la fumée se dissipera. La dissipation de la fumée signifie que le tirage de fumée a commencé et que la combustion est bonne. Il est alors possible d'ajouter de plus gros morceaux de bois séché s'il y a suffisamment d'espace dans la chambre de combustion. Mettez la manette d'admission d'air à la position désirée.

i) Note: Le feu brûle plus longtemps lorsque le réglage de la manette est bas.

2. Quelle est la meilleure sorte de bois séché?

Utilisez du bois dur séché. Évitez d'utiliser du bois vert non séché. La valeur combustible du bois vert n'est que de 60 % la valeur combustible du bois séché. Le bois vert laisse également des dépôts de créosote dans le poêle et la cheminée.

3. Qu'est-ce que du bois sec signifie, et ce qui est considéré de bois franc?

Un bois séché est un bois qui a pu sécher pendant une année. Le bois doit être à l'abri des intempéries et dans un endroit bien ventilé pour bien sécher pendant l'année. Le bois dur provient habituellement des arbres à croissance lente, par ex. le chêne et le sapin. Le bois tendre provient habituellement des arbres à croissance rapide, par ex. le pin et l'épinette.

4. Est-ce possible de toujours bien allumer un feu en suivant les étapes ci-dessus?

Pour répondre en peu de mots : dans la majorité des cas. Il y a plusieurs facteurs dont il faut tenir compte lorsqu'on allume un feu. Vous serez en mesure d'apprendre par expérience. Votre capacité à bien allumer un feu est une question de temps et de patience.

5. Je ne peux pas allumer le feu, pourquoi?

Les principales causes sont le bois humide ou mouillé et un tirage de fumée peu efficace. Utilisez toujours du bois séché pour faire un feu. Un bois séché pendant deux ans s'enflammera difficilement s'il est mouillé.

6. Comment se fait-il qu'il y ait toujours une épaisse

fumée noire dans la chambre de combustion?

Une épaisse fumée noire dans la chambre de combustion signifie souvent que le tirage est insuffisant.

7. Est-ce normal que de la suie recouvre la vitre lorsque le feu s'allume?

Ce poêle est muni d'un système de nettoyage à l'air qui garde la vitre propre lorsque la chambre de combustion a atteint une bonne température et un bon tirage. Les particules de suie se déposent sur la vitre lorsque la température de la chambre de combustion est basse et le tirage inadéquat.

8. Qu'est-ce que le tirage?

C'est un appel d'air frais qui alimente le foyer et qui favorise l'ascension des fumées et gaz brûlés dans le conduit.

9. Quelle est la cause d'un tirage inefficace?

Voici les causes les plus fréquentes d'un tirage inefficace :

- a) La pression atmosphérique et la quantité d'air
- b) L'environnement
- c) Une cheminée dont la température est trop basse
- d) Une installation et un entretien inadéquat de la cheminée

La pression atmosphérique qui nuit au tirage de la fumée peut provenir de l'intérieur de la maison ou de l'extérieur de la maison, ou des deux endroits. Le tirage de la fumée est usuellement plus efficace lorsque le temps est frais et le ciel dégagé (haute pression) que lorsque le ciel est sombre et le temps humide. Il y a une pression négative dans la maison lorsqu'un générateur d'air pulsé, une sècheuse et des appareils électroménagers aspirent l'air nécessaire à la combustion. Les fumées et les gaz de la cheminée peuvent se propager dans la maison lorsque la pression négative est très élevée—il s'agit de la rupture de tirage. Il y a plusieurs éléments qui diminuent la quantité d'air dans une maison : une trop grande quantité d'isolant, des fenêtres en vinyle, du calfeutrage, du scellant de portes. Ces produits protègent du froid, mais rendent les maisons trop étanches à l'air. Essayez, si possible, de ne pas utiliser ces appareils si vous pensez qu'il n'y a pas suffisamment d'air dans la maison pour le poêle, ou ouvrez une fenêtre ou une porte afin de laisser l'air entrer dans la maison.

L'emplacement et le vent

Les grands arbres, les maisons situées dans une vallée, les grands édifices ainsi que les vents peuvent causer

un courant descendant ou ascendant dans la cheminée.

Refroidissement de la cheminée

Il est possible d'empêcher le refroidissement de la cheminée en faisant un feu ardent pendant les premières quinze à quarante minutes. En s'assurant toutefois que le feu n'est pas trop intense. Le feu est trop intense si des lueurs transparaissent à travers des parties de la cheminée ou du poêle. Installez, si possible, un indicateur de température sur la cheminée afin de voir les changements de température.

Installation et entretien de la cheminée

Évitez d'installer trop de coudes et de longs tuyaux horizontaux. Contactez un expert en cheminée et/ou le fabricant de cheminées si vous avez des doutes. Nettoyez régulièrement la cheminée et le pare-étincelles et les couvercles à charnières afin d'empêcher l'accumulation de crésote qui réduit grandement le tirage et qui peut causer un feu de cheminée.

10. Devrais-je ouvrir ou fermer complètement la manette d'admission d'air lorsque j'éteins le foyer?

Ouvrez complètement la manette d'admission d'air lorsque vous éteignez le foyer pour que la température de la cheminée reste élevée pendant une plus longue période de temps. La crésote s'accumule plus facilement dans une cheminée froide.

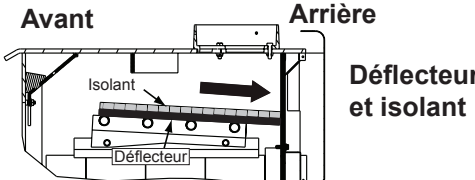
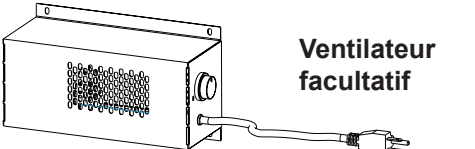
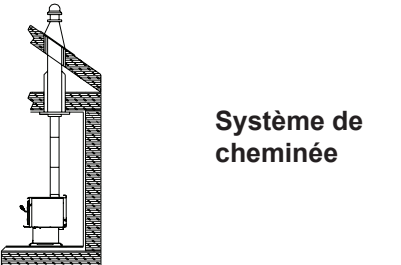
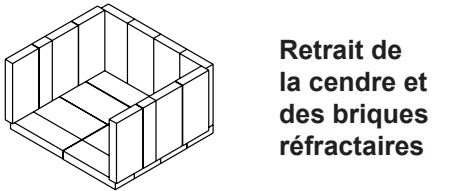

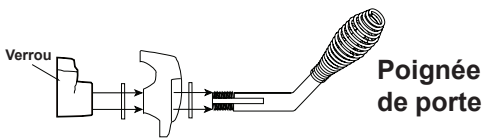
NOTE: Ce document est fourni à titre informatif. Il ne remplace pas les règlements régionaux et provinciaux. Informez-vous auprès de l'autorité compétente de votre municipalité.

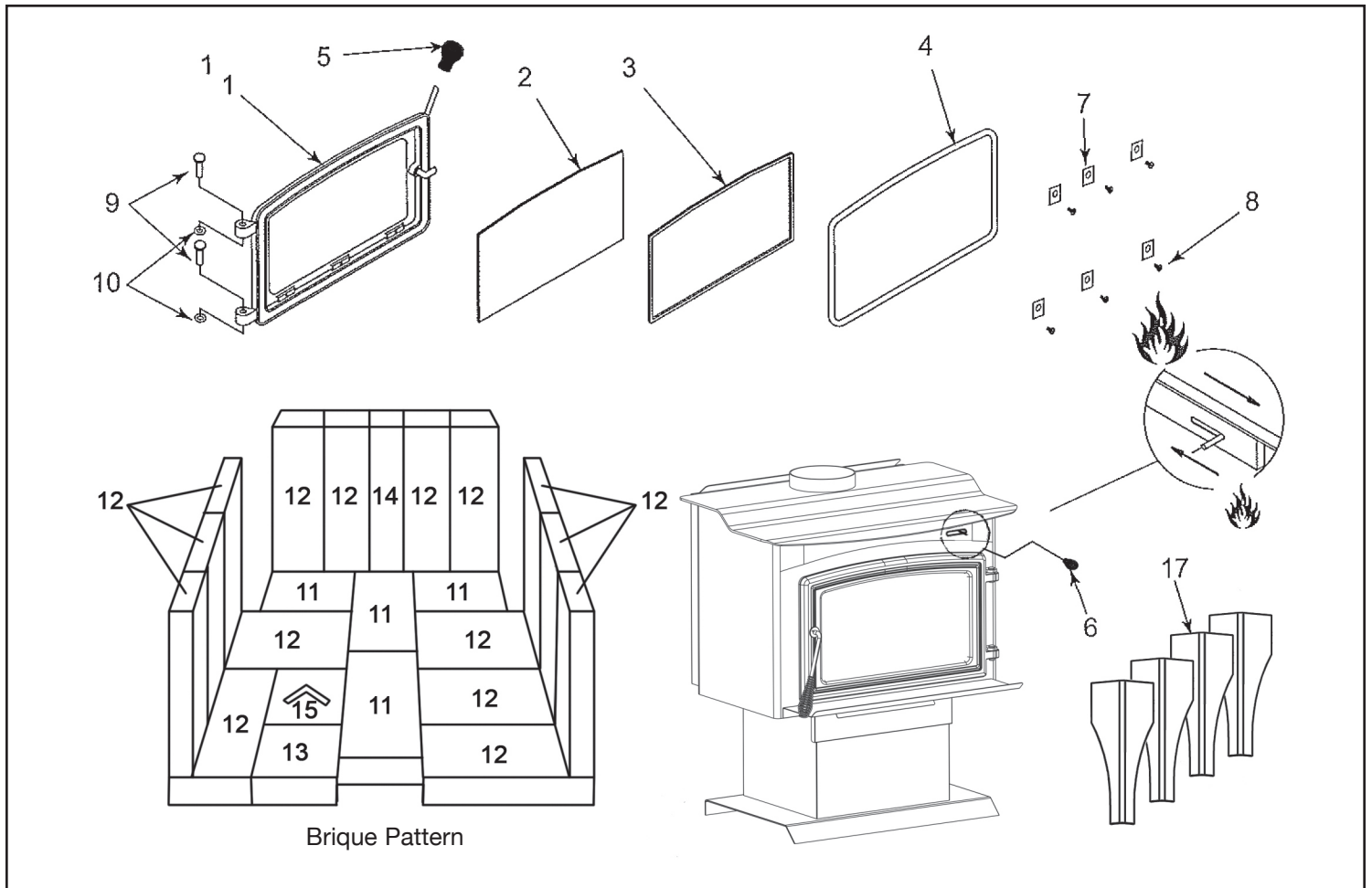
GUIDE DE RÉFÉRENCE POUR L'ENTRETIEN



MISE EN GARDE! Laissez l'appareil refroidir complètement avant de le nettoyer ou d'en faire l'entretien.

Effectuez une première inspection après deux mois d'utilisation ou si le rendement change, puis modifiez la fréquence des inspections en conséquence. Il est nécessaire d'entretenir l'appareil pour en assurer la sécurité et pour conserver la garantie.

| ZONE À ENTREtenir | FRÉQUENCE | TÂCHE |
|--|--|--|
|  <p>Déflecteur et isolant</p> | <p>CHAQUE MOIS ou après chaque corde de bois</p> | <p>L'utilisation du déflecteur et de l'isolant est nécessaire à l'émission de chaleur, à l'efficacité et à la durée de vie en général de l'appareil. Assurez-vous d'installer le déflecteur tout au fond du foyer et de placer l'isolant à plat. Vérifiez que le déflecteur n'est pas fissuré.</p> |
|  <p>Ventilateur facultatif</p> | <p>CHAQUE ANNÉE ou après 4 cordes de bois</p> | <p>Nettoyez les roues du ventilateur à l'aide d'un aspirateur.</p> |
|  <p>Système de cheminée</p> | <p>TOUS LES 2 MOIS ou après 4 cordes de bois</p> | <p>Vérifiez la présence de suie et de créosote dans la cheminée et le couvercle de celle-ci tous les deux mois en période d'utilisation ou encore plus fréquemment si la taille de la cheminée ne se situe pas entre 4,3 m et 4,8 m (14 et 16 pi) à partir du bas de l'appareil. Nettoyez ces pièces afin d'éviter l'obstruction du tuyau, une mauvaise circulation d'air et les feux de cheminée. Brûlez toujours du bois sec pour éviter l'obstruction du couvercle et la formation de créosote.</p> |
|  <p>Retrait de la cendre et des briques réfractaires</p> | <p>CHAQUE SEMAINE ou après 25 feux</p> | <p>Laissez la cendre refroidir avant de la jeter dans un contenant non combustible. Les briques réfractaires sont conçues pour protéger votre foyer. Après avoir retiré la cendre, vérifiez les briques réfractaires et remplacez celles qui sont effritées, fissurées ou brisées.</p> |
|  <p>Ensemble de porte et de vitre</p> | <p>CHAQUE SEMAINE ou après 25 feux</p> | <p>Maintenez le joint d'étanchéité de la porte vitrée en bon état pour assurer des temps de combustion appropriés lorsque l'appareil est en mode de combustion lente. Pour le vérifier, placez un billet de banque entre le foyer et la porte, puis fermez la porte. Si vous pouvez retirer le billet, remplacez le joint d'étanchéité de la porte. Vérifiez que les vis du cadre de la vitre sont serrées afin d'empêcher toute fuite d'air. Vérifiez que la vitre n'est pas fissurée.</p> |
|  <p>Poignée de porte</p> | <p>CHAQUE SEMAINE ou après 25 feux</p> | <p>Vérifiez le réglage du verrou. Cette mesure est très importante, surtout lorsque vous avez installé un cordon d'étanchéité à l'avant du foyer. Actionnez la poignée pour vérifier le bon fonctionnement du verrou.</p> |



GHP Group se réserve le droit d'apporter des changements dans la conception, matériaux, spécifications, prix et arrêter les couleurs et les produits à tout moment, sans préavis.

| No | Description | Quantité | No de pièce |
|---------|--|----------|-------------|
| 1. | Porte | 1 | 75-21-503 |
| 2. & 3. | Vitre (43,18 cm l x 24,77 cm H) et joint d'étanchéité | 1 | 75-21-514 |
| 3. | 1/8" Joint de porte | 4.3' | 75-21-123 |
| 4. | 5/8" Joint de porte | 5.1' | 75-21-143 |
| 5. | Poignée spirale | 1 | 75-20-140 |
| 6. | Manette d'admission d'air | 1 | 75-20-141 |
| 7. | Attache vitre | 6 | 75-25-131 |
| 8. | Vis | 6 | 75-21-141 |
| 9. | Tige à charnière | 2 | 75-20-132 |
| 10. | Bouton à pression | 2 | 75-21-150 |
| 11. | Brique réfractaire 7 3/4" x 4 7/16" x 1 1/4" | 4 | 75-21-145 |
| 12. | Brique réfractaire 9" x 4 7/16" x 1 1/4" | 15 | 75-21-147 |
| 13. | Brique réfractaire 4 1/2" x 4 7/16" x 1 1/4" | 1 | 75-21-146 |
| 14. | Brique réfractaire 9" x 2 1/2" x 1 1/4" | 1 | 75-21-148 |
| 15. | Brique réfractaire pour tiroir à cendres | 1 | 75-21-149 |
| 16. | Tiroir à cendre | 1 | 75-21-512 |
| 17. | Pieds | 4 | 75-22-510 |

Garantie de 5 années

GHP Group garantit que ce poêle à bois neuf, poêle à granules ou cette cheminée encastrable neuve pour foyer en maçonnerie ne comporte pas de défaut de fabrication. La garantie est valide pendant cinq années à compter de la date d'achat, et ce, conformément aux restrictions et conditions suivantes:

1. Cette garantie est offerte seulement au propriétaire initial. Une preuve d'achat est nécessaire. Usage résidentiel seulement.
2. L'appareil neuf de GHP Group doit toujours être installé et utilisé conformément au mode d'emploi fourni avec l'appareil. L'installation doit satisfaire les normes et règlements municipaux et nationaux. La garantie ne couvre pas les dommages causés par un mauvais usage, une modification, un accident ou un surchauffage. NOTE: Un léger déplacement de certaines pièces est normal. Ce n'est pas couvert par la garantie puisque cela n'est pas un défaut de fabrication.
3. La garantie nest pas transférable et est offerte seulement au propriétaire initial, et ce, à condition que l'achat fut effectué chez un marchand autorisé de GHP Group. Il faut fournir le numéro de série et le reçu sur lequel est écrit la date d'achat lors d'une demande au titre de la garantie.
4. La garantie couvre seulement la réparation ou le remplacement de pièces qui sont défectueuses ou comportant un défaut de fabrication, et ce, à condition que lesdites pièces furent utilisées et entretenues normalement. Il faudra que GHP Group ou un représentant autorisé confirme la défectuosité suite à une vérification. À la discrétion de GHP Group, il sera ensuite possible d'envoyer la pièce défectueuse à GHP Group. Les frais de livraison au fabricant doivent être prépayés. Un remboursement sera fourni suite à la réception de la pièce défectueuse chez GHP Group.
5. À la discrétion de GHP Group, GHP Group pourra se décharger de toute responsabilité relative à cette garantie en remboursant le prix de gros de la pièce défectueuse, ou des pièces défectueuses.
6. Les coûts reliés à l'installation, la main-d'oeuvre, la construction, le transport ou autres coûts ou dépenses reliés à des pièces défectueuses, réparation, remplacement etc. ne seront pas couverts par cette garantie et GHP Group n'assumera pas la responsabilité. De plus, GHP Group ne sera pas tenu responsable de dommages accessoires, dommages indirects ou préjudices indirects, à moins que prévu dans la loi. La couverture ne sera jamais supérieure au prix d'achat initial, sans aucune exception.
7. Les autres garanties expresses ou tacites relatives à ce produit, les pièces et accessoires et les obligations et responsabilités sont expressément exclues et ne concernent pas GHP Group.
8. GHP Group n'assume pas d'autres responsabilités et ne donne pas la permission à une tierce partie d'assumer d'autres responsabilités au nom de GHP Group en ce qui a trait à la vente de ce produit GHP Group.
9. La garantie décrite dans ce document ne couvre pas les pièces de cheminée et les produits fabriqués par d'autres fabricants et utilisés lors de l'installation de cet appareil. L'utilisation inadéquate de pièces ou l'utilisation de pièces non approuvées peut donner lieu à l'annulation de la garantie. En cas de doute, contactez un fournisseur GHP Group ou le service à la clientèle GHP Group.
10. GHP Group ne sera pas tenu responsable dans les cas suivants:
 - Une aspiration descendante ou un déversement causé par les conditions du milieu, par ex. la proximité d'arbres, d'édifices, de toits, collines et montagnes, ou la conception/installation inadéquate d'une cheminée.
 - Une ventilation insuffisante, une déviation excessive, une pression négative d'air causé par une fournaise, sècheuse, ventilateur, etc.

11. La garantie sera nulle dans les cas suivants:

- L'appareil a été utilisé dans un endroit où se trouvent des substances chimiques telles que le chlore, le fluor ou d'autres substances chimiques dommageables.
- L'appareil a été exposé à l'humidité ou la condensation pendant une longue période de temps.
- L'appareil a été endommagé suite à un dégât d'eau ou un dégât causé par les intempéries qui résultent, sans exclusion d'autres possibilités, d'une installation inadéquate de la cheminée ou du système de ventilation.
- L'appareil a été mal utilisé ou détérioré, et ce, par accident ou volontairement.
- Des combustibles nocifs comme le bois flotté, le bois préfabriqué ou d'autres combustibles ont été utilisés plutôt que les combustibles mentionnés dans le manuel de l'utilisateur.
- L'appareil, la brique réfractaire et les joints d'étanchéité n'ont pas été bien entretenus

Portes en verre et des pièces plaquées

Le verre est garanti contre le bris thermique seulement. Pour nettoyer le verre, utilisez un nettoyant céramique / verre ou de vernis. Ne pas utiliser de produits nettoyants à base d'ammoniac. Un produit de nettoyage approprié est disponible chez votre revendeur le plus proche Hearth Agréable. **NE PAS NETTOYER TOUT CHAUD ET NE PAS UTILISER DE NETTOYANTS ABRASIFS.**

Des pièces plaquées ne seront pas couverts par cette garantie. Des pièces plaquées doivent être nettoyés à l'aide de l'alcool dénaturé et ne frottez légèrement avec un chiffon non pelucheux non-abrasif. Frottement excessif ou de polissage peut enlever la finition plaquée. Des pièces plaquées peuvent également être endommagés par des produits chimiques externes.

Exclusions additionnelles

POÊLE À BOIS

1. Les composants électriques, comme le ventilateur sont couverts pendant cinq (5) années à compter de la date d'achat s'ils sont inclus avec l'achat du poêle.

2. La garantie ne couvre pas la peinture, les joints d'étanchéité et la brique réfractaire ainsi que les pièces détachables du foyer, par ex. les supports à briques et les tubes d'air en acier inoxydable.

POÊLE À GRANULES:

Période de cinq ans:

1. En acier au carbone et les soudures du foyer sont couverts pendant cinq (5) ans contre le fractionnement.

2. La porte en acier et charnières sont couverts pour les cinq (5) ans contre le fendillement.

Période d'une année:

1. Les pièces comme la trémie, tarière, pot de combustion, plaque de chicanes, tige de la tarière et les attaches sont couverts pendant une (1) année contre les craques, brisures et séparation des joints soudés.

2. Les composants électriques, les accessoires, la vitre et les surfaces peintes du poêle sont couverts pendant une (1) année à compter de la date d'achat.

VEUILLEZ, S'IL VOUS PLAÎT, DÛMENT REMPLIR LA CARTE POUR ENREGISTRER LA GARANTIE DE VOTRE RADIATEUR ET POSTEZ-LA DANS LES 14 JOURS SUIVANTS LA DATE D'ACHAT OU FAITES-LE EN LIGNE À : www.ghpgroupinc.com

NOM: _____ TÉLÉPHONE: () _____ COURRIEL: _____
ADRESSE: _____ VILLE: _____ PROVINCE: _____ CODE POSTAL: _____
MODÈLE: _____ NO DE SÉRIE: _____ DATE D'ACHAT: _____
NOM DU DÉTAILLANT: _____ TYPE DE MAGASIN: _____
LIEU DE L'ACHAT (VILLE & PROVINCE): _____ PRIX PAYÉ: _____

Il suffit d'une minute pour répondre aux questions suivantes, nous vous en remercions :
Les réponses seront gardées confidentielles et utilisées seulement pour une étude de recherche.

Qui a décidé d'acheter le produit? Homme Femme 18-24 25-39 40-59 60 et plus
Raison de l'achat? _____
Êtes-vous propriétaire d'un autre radiateur portable? Oui Non Si oui, type _____ Marque _____
Où sera utilisé ce nouveau radiateur? Site de construction Site Ferme Entrepôt/Commercial Garage/Construction accolée Autre
Comment avez-vous été informé du radiateur? Étalage en magasin Annonce dans un journal Annonce dans un magazine
 Ami/Membre de la famille Annonce télévisée Commis-vendeur Autre _____
Pourquoi avez-vous choisi ce radiateur? Style Dimension/Portabilité Prix Emballage Marque Autre _____
Êtes-vous: Propriétaire? Ou est-ce loué? Recommanderiez-vous ce radiateur à un ami? Oui Non
Veuillez nous faire part de vos commentaires: _____

NOUS VOUS REMERCIONS D'AVOIR RÉPONDU AU QUESTIONNAIRE!
L'information sera gardée confidentielle.



RÉCLAMATION AU TITRE DE LA GARANTIE

Contactez le service à la clientèle de GHP Group. Assurez-vous d'avoir votre reçu ainsi que le numéro de modèle et le numéro de série de l'appareil GHP Group.

N'essayez pas d'effectuer une réparation, à moins d'avoir une préautorisation écrite de GHP Group, puisque cela annulera la garantie. GHP Group doit autoriser l'entretien ou la réparation et fournir un numéro de réclamation de garantie avant l'appel de service couvert par la garantie. L'entretien ou la réparation ne sera pas couvert par la garantie sans un numéro d'autorisation.

ENREGISTREMENT DE LA GARANTIE

IMPORTANT: Nous vous conseillons fortement de remplir la carte d'enregistrement au cours des quatorze (14) journées suivant la date de l'achat. Vous pouvez aussi enregistrer la garantie en ligne au www.ghpgroupinc.com. Écrivez le numéro de série. Gardez cette partie de la carte pour vos dossiers.



GHP Group, Inc.
6440 W. Howard St.
Niles, IL 60714-3302

Tel: (877) 447-4768
www.ghpgroupinc.com

CONSERVEZ CETTE CARTE!

Appelez
un timbre
ici

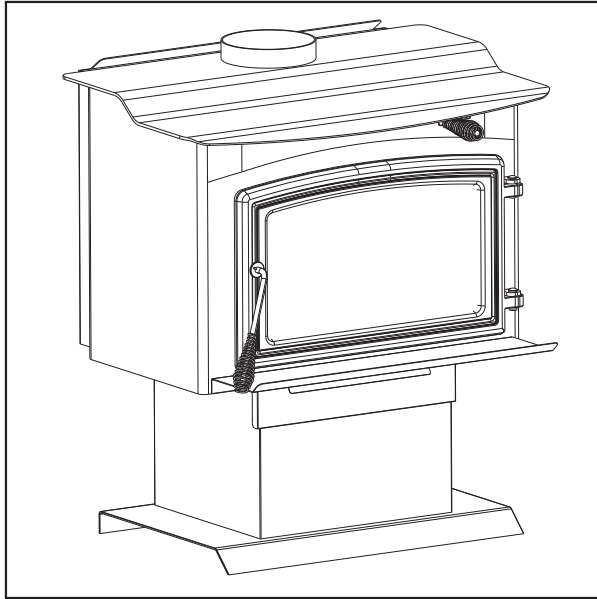
GHP Group, Inc.
6440 W. Howard St.
Niles, IL 60714-3302

Pleasant Hearth

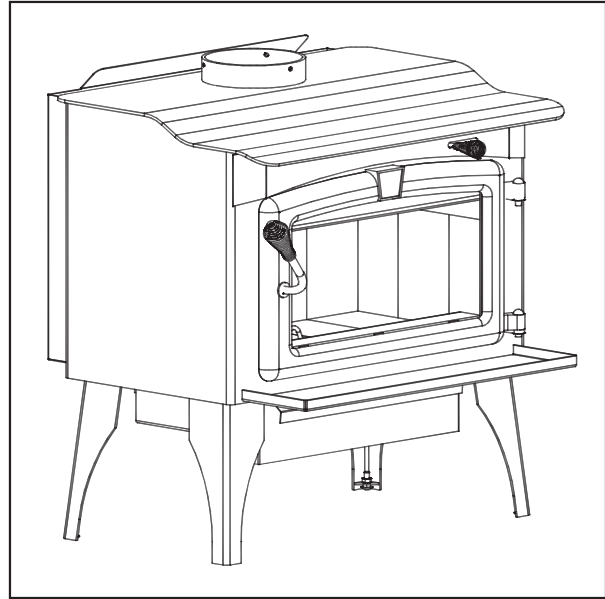


Warming Your Home. Warming Your Heart.

Estufa de Alta Eficiencia para Madera



Modelo Serie:
HWS-230292
WS-3029



Modelo Serie:
LWS-130291

AVISO DE SEGURIDAD: SI ESTE APARATO QUEMADOR DE LEÑA NO ESTÁ CORRECTAMENTE INSTALADO, OPERADO Y MANTENIDO, SE PUEDE PRODUCIR UN INCENDIO EN LA CASA. PARA REDUCIR EL RIESGO DE INCENDIO, SIGA LAS INSTRUCCIONES DE INSTALACIÓN. SI NO LAS SIGUE SE PUEDEN ORIGINAR DAÑOS MATERIALES, LESIONES PERSONALES O INCLUSO LA MUERTE. CONTACTE LAS AUTORIDADES DE CONSTRUCCIÓN LOCALES ACERCA DE LAS RESTRICCIONES Y DE LOS REQUERIMIENTOS DE INSPECCION DE LA INSTALACIÓN EN SU ÁREA.

! ADVERTENCIA

ANTES DE ENCENDER POR PRIMERA VEZ EL APARATO, RETIRE LA PELÍCULA PLÁSTICA DE LA GUARNICIÓN Y LIMPIE LAS SUPERFICIES CHAPADAS, CON ALCOHOL DESNATURALIZADO O CON LIQUIDO LIMPIA VIDRIOS NO ABRASIVO, DE BUENA CALIDAD. APLIQUELO CON UN PAÑO MUY SUAVE Y LIMPIO. NO USE TOALLAS DE PAPEL PARA LIMPIAR LA PARTES CHAPADAS. EN CASO DE NO LIMPIAR TODAS LAS MARCAS Y HUELLAS DIGITALES DE LAS SUPERFICIES CHAPADAS SE PUEDE CAUSAR DAÑOS PERMANENTES.

NOTA: Algunos estados y provincias no permiten la exclusión o limitación de daños incidentales o consecuentes. Las limitaciones anteriores puede que no se apliquen a usted.

Este manual describe la instalación y operación de los Modelos HWS-2360292, WS-3029 y LWS-130291 de calentadores no-catalíticos para madera. Este calentador de madera necesita inspección periódica y reparación para su correcto funcionamiento. Es en contra de las regulaciones federales para operar este calentador de madera de manera incompatible con las instrucciones de funcionamiento de este manual.

Esta estufa está certificada por OMNI-Test Laboratories de Portland-Oregon como que cumple con las normas UL1482 de los EEUU y ULC-S627 de Canadá.

Se requiere un ducto de 6"



CUMPLE CON PRUEBAS:
UL 1482-2011 (R2015)/ULC-S627-00
INFORME NO: 0418WS001S



6440 W. Howard St.
Niles, IL 60714-3302
877-447-4768

No Deseche Este Manual: Consérvelo para Uso Futuro

¿Tiene preguntas, problemas o le faltan piezas? Antes de devolverlo al distribuidor, llame a nuestro departamento de servicio al cliente al 1-877-447-4768 entre 8:30 a.m. y 4:30 p.m. CST, de Lunes a Viernes; o envíenos un correo electrónico a customerservice@ghpinc.com.

60-10-001
04/21/2016

PRECAUCIÓN

Después de leer estas instrucciones, en caso de tener alguna duda acerca de su habilidad para completar la instalación tal como lo haría un profesional, usted debe obtener los servicios de un instalador que conozca todos los detalles de una correcta y segura instalación. No haga instalaciones improvisadas.

ANTES DE LA INSTALACIÓN DE SU CALENTADOR

1. Establezca con la oficina de Inspección de Edificios las normas locales que se tengan que cumplir; un permiso podría ser requerido.
2. El calentador debe ser conectado a 1) una chimenea que cumpla con los requerimientos para chimeneas Tipo HT del estándar para “Chimeneas, Elaboradas en Fábrica, Tipo Residencial y Calentadores de Edificios, UL103,” o en Canadá “CAN/ULC-S629, Estándar para Chimeneas Elaboradas en Fábrica, de 650 grados C” y normas para edificios que sean aplicables., o 2) una chimenea de mampostería, certificada, con revestimiento de ducto.
3. Para un desempeño apropiado se requiere un ducto de 6” (152mm) de diámetro, en acero negro de calibre 24.
4. Conecte siempre esta unidad a una chimenea y NUNCA permita que ventile hacia otro cuarto o dentro del edificio.
5. NO conecte esta unidad a ductos que pertenezcan a otro aparato similar tal como un horno.
6. **NO CONECTE ESTA UNIDAD A UN DUCTO DE CHIMENEA QUE CORRESPONDA A OTRO APARATO SIMILAR.**
7. El tubo conector y la chimenea deben ser inspeccionados periódicamente y limpiados si es necesario.
8. Respete las separaciones mínimas cuando usted coloque muebles u otros objetos en la misma área. NO almacene madera, líquidos inflamables o cualquier otro material combustible demasiado cerca de la unidad.
Remítase a la etiqueta de certificación en la parte posterior de la unidad para las separaciones requeridas.
9. Contacte la autoridad de bomberos municipal o provincial para obtener información de cómo manejar un incendio ocasionado por chimenea. Tenga un plan muy claro de cómo manejar un incendio ocasionado por chimenea. En el caso de que se produzca un incendio por chimenea, accione el control de aire a la posición “Cerrada” y LLAME AL DEPARTAMENTO DE BOMBEROS.
10. NO accione el control de aire para regular la combustión más allá de su ajuste normal.

11. NO INSTALE ESTAS UNIDADES EN CASAS MÓVILES O TRAILERS. ESTAS UNIDADES NO ESTÁN APROBADAS PARA CASAS MÓVILES.

12. NO LA CONECTE A NINGÚN DUCTO O SISTEMA DE DISTRIBUCIÓN DE AIRE.

13. Al instalar un electrodoméstico de combustible sólido, se recomienda también instalar detectores de humo y de monóxido de carbono en cada nivel de la casa. Cuando se enciende el electrodoméstico por primera vez, es posible que se presente humo o algún olor debido al curado de la pintura. Es mejor mantener algunas ventanas abiertas por razones de ventilación durante las primeras horas de consumo para evitar la activación del detector de humo. Pruebe sus detectores de humo y de monóxido de carbono de manera regular.

OPERACIÓN

POR QUÉ EL TAMAÑO CORRECTO DEL DUCTO ES IMPORTANTE - 6” El tiraje es la fuerza que mueve el aire hacia arriba, desde la unidad a través de la chimenea. La cantidad de tiraje en su chimenea depende de la longitud de la chimenea, de la geografía local, de las obstrucciones circundantes y de otros factores. Demasiado tiraje puede causar una temperatura excesiva en el aparato. Una llama incontrolada o el hecho de que una parte

del conector de chimenea se ponga rojo brillante, indican un tiraje excesivo. Por el contrario, un tiraje inferior al normal puede ocasionar que el humo se devuelva a la habitación y el atascamiento de la chimenea y/o que el humo se cuele a la habitación por los empalmes entre el conector de la chimenea y el aparato.

Los aparatos de combustible sólido de hoy en día son más eficientes que los del pasado. Las unidades están diseñadas para permitir una combustión controlada y una transferencia máxima de calor, utilizando menos combustible. El diseño de su nuevo aparato es tal que el humo de salida tiene hoy en día una temperatura inferior que en el pasado. Esto permite que un tamaño apropiado de la chimenea provea un adecuado tiraje. Si la chimenea es muy grande, al calentador le costará más trabajo elevar la temperatura del ducto de la chimenea para que haya un adecuado tiraje. A su turno esto causará que el humo se devuelva, una pobre combustión o ambos. En caso de que usted experimente un problema como éste, llame a su experto local en chimeneas.

Con la compuerta cerrada, la rata de combustión está regulada por la cantidad de aire que entra a la unidad a través del control de aire. A medida que va ganando en experiencia, usted va a poder ajustar el control a la temperatura y al tiempo de combustión deseados.

Una vez que se obtiene el tiraje adecuado, opere tan solo con las compuertas cerradas; ábralas lentamente, únicamente para alimentar con material combustible. (Esto va a reducir o aún eliminar el humo que entra a la habitación). Cualquier intento de lograr ratas de salida mayores a las establecidas por diseño pueden ocasionar un daño permanente al calentador. La carga recomendada de madera está a nivel con la parte superior de los ladrillos refractarios.

Al sobrecargarse, se impide que una suficiente cantidad de aire entre al calentador para que alimente la combustión.

Opere este calentador únicamente con la compuerta cerrada.

NO QUEME BASURA O LÍQUIDOS INFLAMABLES, TALES COMO GASOLINA, NAFTA O ACEITE PARA MOTOR. NO UTILICE QUÍMICOS O ALGÚN LÍQUIDO PARA INICIAR LA LLAMA.

ASEGÚRESE DE QUE HAYA CIRCULACIÓN DE AIRE FRESCO EN LA HABITACIÓN DONDE ESTÁ INSTALADA LA UNIDAD. EN CASO CONTRARIO PUEDEN GENERARSE CONDICIONES PELIGROSAS DEBIDO A LA INSUFICIENCIA DE AIRE PARA OTROS APARATOS DE COMBUSTION QUE ALLÍ SE ENCUENTREN.

POR ESTAR CALIENTE MIENTRAS TRABAJA, ALEJE NIÑOS, ROPA O MUEBLES DE LA UNIDAD. EL CONTACTO CON EL CALENTADOR PUEDE CAUSAR QUEMADURAS DE PIEL.

VENTILADOR OPCIONAL: MODELO PBAR-2427, 120 VOLTIOS, 60Hz, 1.0 AMPS, 2900 RPM
PELIGRO: RIESGO DE CHOQUE ELÉCTRICO.
DESCONÉCTELO DE LA CORRIENTE ANTES DE HACERLE MANTENIMIENTO. IMPORTANTE: PARA UN ÓPTIMO DESEMPEÑO DEL CALENTADOR A BAJA RATA DE COMBUSTIÓN, OPERE EL VENTILADOR A BAJA VELOCIDAD.

IMPORTANTE: Se recomienda encarecidamente que las estufas y chimeneas con madera sean instaladas por un profesional autorizado. (Un instalador calificado es una persona o entidad que instala con regularidad productos de calefacción con madera y chimeneas, durante horas regulares de trabajo).



Instalación del Pedestal y de las Patas

Antes de Instalar la Estufa, Siga Estos Pasos para la Instalación del Pedestal y de las Patas.

Modelo: HWS-230292

Estufa Grande para Madera, con Pedestal

El pedestal viene preinstalado de fábrica. No hay que hacer nada.

Modelo: WS-3029

Estufa Grande para Madera, con Pedestal y Patas

Retire la bandeja de cenizas y los (4) tornillos que aseguran el cuerpo de la estufa al pedestal como lo muestra la Figura 0. Busque ayuda, levante la estufa del pedestal y acuéstela de costado, sobre una superficie segura y acolchada, que esté a nivel y levantada del piso unos 6".

Utilizando los tornillos que quitó en el paso 1, atornille cada pata a la parte inferior de la estufa como lo muestra la Figura 0.2. Busque ayuda, levante la estufa de la plataforma, enderécela sobre sus patas y vuelva a colocar la bandeja de cenizas. Cuando la estufa esté en el lugar definitivo, asegúrese de nivelarla ajustándole los niveladores de las patas, mostrados en la Figura 0.3.

Modelo: LWS-130291

Estufa Grande para Madera, con Patas

Retire la bandeja de cenizas y los (4) tornillos en el ángulo de soporte de hierro como se muestra en la Figura 0.1. Busque ayuda, levante la estufa de la plataforma de madera y acuéstela de costado, sobre una superficie segura y acolchada, que esté a nivel y levantada del piso unos 6". Utilizando los tornillos que quitó en el paso 1, atornille cada pata a la parte inferior de la estufa como lo muestra la Figura 0.2. Busque ayuda, levante la estufa de la plataforma, enderécela sobre sus patas y vuelva a colocar la bandeja de cenizas. Cuando la estufa esté en el lugar definitivo, asegúrese de nivelarla ajustándole los niveladores de las patas, mostrados en la Figura 0.3.

Figura 0

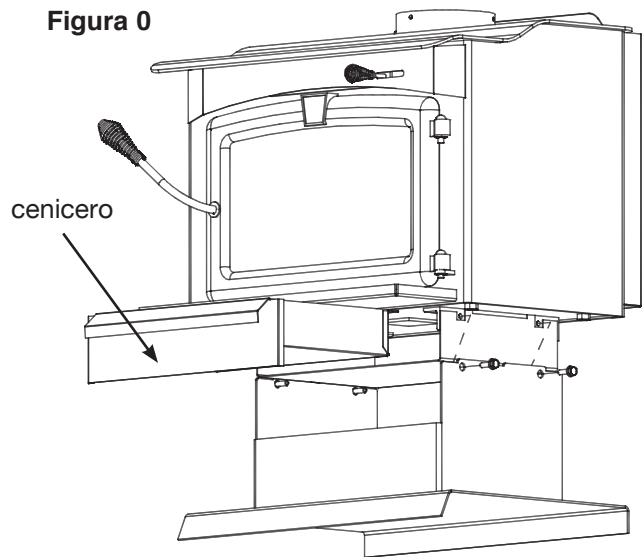


Figura 0.1

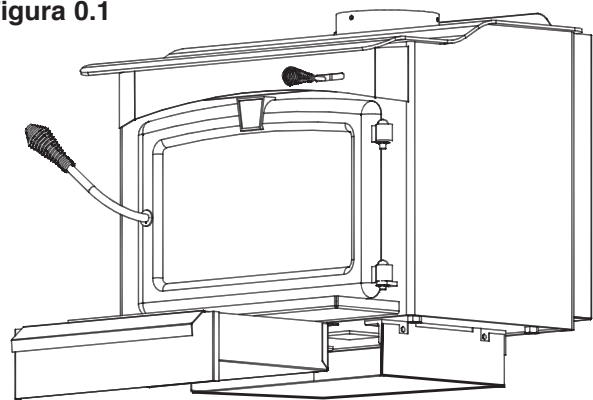


Figura 0.2

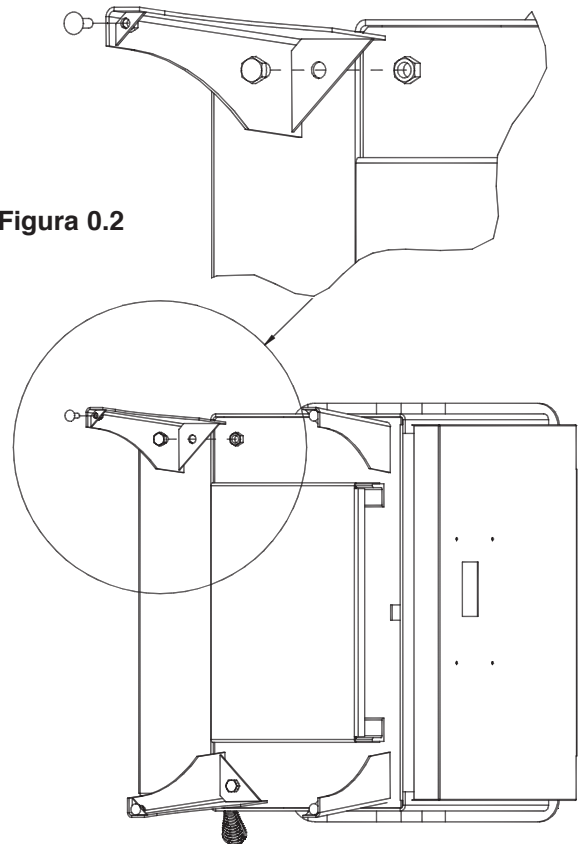
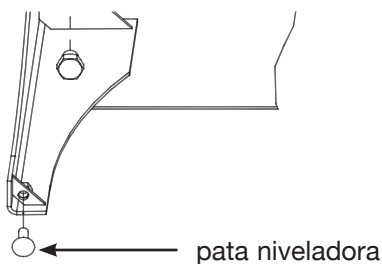


Figura 0.3



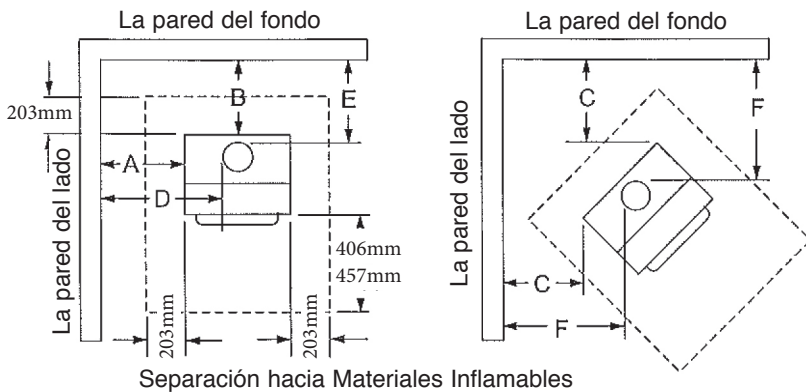
INSTALACIÓN

Contacte al inspector de edificios de su localidad antes de la instalación. Un permiso puede ser requerido en su área.

1. Saque todas las piezas de dentro de la estufa.
2. Seleccione la ubicación más adecuada para la estufa. Estos aparatos deben ser instalados respetando la separación mínima a materiales combustibles como se señala en el patrón "Ladrillo" (Figura 1). La estufa debe ser instalada sobre una superficie no combustible como se muestra en la Figura 1.

Figura 1

Separación con respecto a Materiales Inflamables



La autoridad competente puede requerir una separación mínima de 18" (457 mm) al conector de la chimenea.

Del Calentador a

A. Pared lateral 22" (559 mm)
 B. Pared posterior 16" (406 mm)
 C. Esquina 12" (305 mm)
 Mínima altura al cielo raso

Del Conector de la Chimenea a

D. Pared lateral 32" (813 mm)
 E. Pared posterior 19" (483 mm)
 F. Esquina 21.5" (546 mm)
 55" (1397 mm)

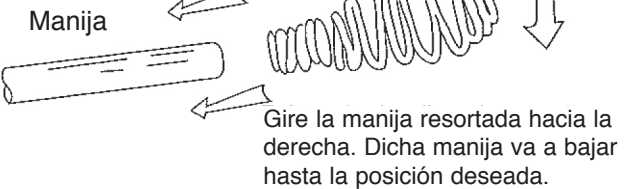
*16" (406 mm) EEUU

**18" (457 mm) Canadá

La unidad debe ser colocada sobre un protector de piso no inflamable, equivalente a un cartón piedra de 1". El protector de piso debe tener un valor R mínimo de 1.19. Consulte a sus autoridades locales de construcción para mayor información.

3. Si se han instalado materiales no combustibles en las paredes, averigüe con el fabricante de estos materiales o con la oficina de inspectores de edificios de su localidad acerca de las separaciones mínimas.
4. Instale el tubo de la estufa DENTRO DEL cuello del ducto en la parte superior de la estufa entre la estufa y la chimenea.
5. NO utilice una parrilla para elevar el fuego.

Figura 2



TUBO DE LA ESTUFA

1. Se puede requerir una separación mínima de 18 pulgadas (457mm) entre el tubo de la estufa y materiales combustibles. Verifique con las autoridades competentes en su área.
2. Todas las secciones de tubos deben ser conectadas con la terminación macho (rizada) hacia la estufa.
3. Apriete el tubo de la estufa al cuello del ducto mediante tres tornillos para lámina metálica. Haga lo mismo en cada empate, para hacer que toda la instalación quede rígida.
4. Mantenga el diámetro requerido de ducto durante toda la instalación.
5. Si está conectando la estufa a un ducto de mampostería antigua, asegúrese de hacerla inspeccionar para descartar fisuras y establecer su estado general. Se puede requerir ajustarle su tamaño mediante un revestimiento de acero inoxidable.
6. En la instalación del tubo de la estufa se recomienda que no se hagan más de dos (2) codos de 90°. Tener más de dos (2) codos de 90° puede disminuir el tiraje y causar que el humo se desparrame.
7. Esta instalación no requiere un regulador de tiro. Retire la plaqueta del regulador de tiro de la chimenea o asegúrela en la posición ABIERTA.
8. La longitud total de un montaje individual de ducto no debe exceder 10 pies (3 mts).

PRECAUCIÓN: NO abra la puerta de combustión al punto de que pueda entrar en contacto con la pared lateral inflamable.

PRECAUCIÓN: El ladrillo para el cajón de cenizas debe ser instalado antes de poner el calentador en funcionamiento.

PRECAUCIÓN: No alteran el rango amortiguador de aire primario

Ventilador Opcional – Para este aparato quemador de Madera hay disponible un abanico intercambiador de calor opcional. Para obtenerlo consulte al distribuidor donde compró el calentador.

PROTECCIÓN DEL PISO

INSTALACIÓN SOBRE UN PISO DE CONCRETO

Un artefacto instalado sobre un piso de concreto no necesita protección del piso. Si tiene instaladas alfombras u otras cubiertas de piso combustibles, debe conservar una distancia de separación alrededor de la estufa equivalente al tamaño del protector de piso descrito en la sección a continuación.

INSTALACIÓN SOBRE UN PISO INFLAMABLE

Si el artefacto se va a instalar sobre un piso o cubierta de piso combustible, debe instalar un **protector de piso** debajo de la estufa y extenderlo frente a la estufa al menos 40,64 cm (16") en EE.UU. o 45,72 cm (18") en Canadá y 20,32 cm (8") en los otros lados. En EE.UU., **el protector de piso** debe también colocarse bajo todas las instalaciones de chimenea horizontales y extenderse más allá de la tubería al menos 5,08 cm (2") en ambos lados. **El protector de piso** debe estar compuesto de un material duradero no combustible con un grosor mínimo de 2,54 cm (1") y un valor R de 2.

Para determinar si un material es adecuado, use las fórmulas a continuación:

1. Si el material tiene una clasificación R (resistencia térmica), use el grosor mencionado y no necesitará ninguna conversión. Los valores R pueden sumarse para materiales con varias capas.
2. Si el material tiene una clasificación k (conductividad térmica), conviértalo en clasificación R con esta fórmula $R = 1/k \times t$ (t = grosor en pulgadas)
3. Si el material tiene una clasificación C (conductancia térmica), conviértalo en clasificación R con esta fórmula $R = 1/C$.

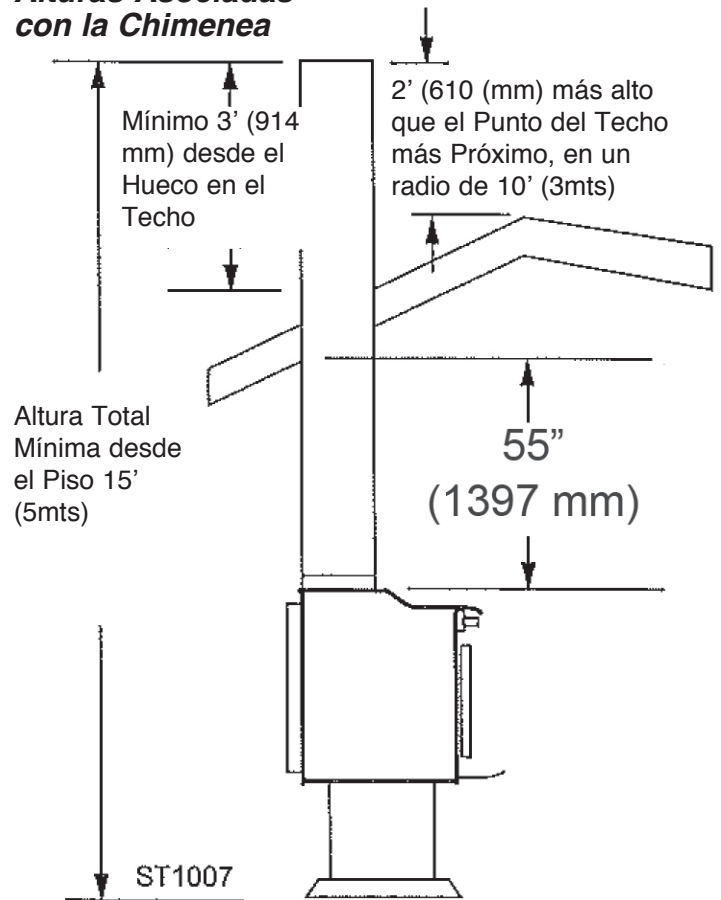
CHIMENEA

CONTACTE SU AUTORIDAD LOCAL DE CONSTRUCCIÓN PARA INFORMARSE SOBRE LOS MÉTODOS APROBADOS DE INSTALACIÓN

1. Este calentador requiere una chimenea de mampostería o una prefabricada cuyo tamaño esté de acuerdo con las normas CAN/ULC-S629 (Canadá) o UL103HT (EEUU).
2. Si se utiliza una chimenea de mampostería, es aconsejable hacerla inspeccionar para descartar fisuras y para determinar su estado general antes de instalar el calentador. Se puede requerir ajustar el revestimiento para reducir el diámetro del ducto al tamaño apropiado para su funcionamiento.
3. Para asegurar un tiraje correcto, la parte superior de la chimenea debe estar al menos 3 pies (914mm) por encima del punto de penetración a través del techo y 2 pies (610mm) por encima de cualquier punto del techo en un radio de 10 pies (3mts).
4. El conector de la chimenea no deberá pasar a través de un ático, espacio en el techo, closet, espacio cerrado, piso, cielo raso, pared o cualquier elemento de construcción que sea inflamable.

Figura 3

Alturas Asociadas con la Chimenea



5. La altura mínima de la chimenea debería ser 15 pies (5mts) a partir del piso (Figura 3).
6. No haga instalaciones provisionales ni se salga de especificaciones en ningún momento.

REMÍTASE A LAS INSTRUCCIONES DEL FABRICANTE DE LA CHIMENEA

CONSIDERACIONES CON RESPECTO AL DUCTO

La ubicación del calentador y de la chimenea afectarán el desempeño. La chimenea debe:

- Penetrar la parte más alta del techo. Esto minimiza los efectos de turbulencia del viento y de tiraje hacia abajo.
- Tenga en cuenta la localización de vigas y viguetas, tanto en piso como en cielo raso del ático, para evitarlas. Condiciones exteriores como la forma del techo, árboles circundantes, tipos de vientos y colinas vecinas pueden influenciar el desempeño de la estufa. Su distribuidor local es el experto en su área geográfica y puede usualmente hacerle sugerencias o encontrar soluciones que le pueden ayudar a corregir fácilmente problemas de ducto.

NOTA: Estas son solamente guías, y pueden variar de alguna manera de una instalación a otra.

IMPORTANTE: Se recomienda encarecidamente que las estufas y chimeneas con madera sean instaladas por un profesional autorizado. (Un instalador calificado es una persona o entidad que instala con regularidad productos de calefacción con madera y chimeneas, durante horas regulares de trabajo).

SISTEMAS DE VENTILACIÓN

El sistema de ventilación consiste de un conector de chimenea (también conocido como tubo de estufa) y una chimenea. Estos se tornan extremadamente calientes durante el uso. La temperatura al interior de la chimenea puede sobrepasar los 2000°F (1100°C) en el evento de que se produzca un fuego creosota. Para prevenir que se produzca un incendio en la casa, el conector de la chimenea y la chimenea **deben estar adecuadamente instalados y mantenidos**. Cuando se haga un empalme a una chimenea a través de una pared inflamable, se deberá utilizar una abrazadera aprobada. Un paquete de soporte para chimeneas deberá ser usado cuando se haga un empalme a través del cielo raso a una chimenea prefabricada. Estos accesorios son **absolutamente indispensables** para garantizar distancias seguras a materiales inflamables tanto en pared como en cielo raso. Cuando instale un sistema de ventilación, respete las separaciones mínimas indicadas por el fabricante de dicho sistema.

HERRAMIENTAS Y MATERIALES REQUERIDOS

Antes de comenzar la instalación asegúrese de contar con las siguientes herramientas y materiales de construcción.

| | |
|----------------------------|--|
| Sierra Alternativa | Material para hacer marcos |
| Alicates | Material para Calafateo a Alta Temp. |
| Martillo | Guantes |
| Destornillador de Estrella | Escuadra |
| Destornillador de Pala | Taladro Eléctrico & Brocas (1/4") |
| Plomada | Anteojos de Seguridad |
| Nivel | Tornillos auto perforantes de 1/2 pul. - /4 pul. de long., #6 o #8 |
| Cinta de Medición | (se necesitan por cada empalme de tubo) |



ADVERTENCIA



Riesgo de Asfixia.

- NO conecte esta unidad al ducto de la chimenea asociado con otro aparato similar.
- NO conecte a ningún ducto o sistema de distribución de aire.

Puede ocasionar que gases del ducto entren a la casa.

INSPECCIONE EL APARATO Y SUS COMPONENTES. LISTA DE CHEQUEO PREVIA AL USO

| | |
|-----|--|
| 1. | Coloque el aparato cerca a su ubicación final y siga los procedimientos a continuación: |
| 2. | Abra el calentador y retire todas las piezas y artícu los empacados dentro del "Component Pack". Inspeccione todas las piezas y el vidrio por si hubo algún daño en el transporte. Contacte su distribuidor si se nota alguna irregularidad. |
| 3. | Todas las precauciones de seguridad han sido leídas y seguidas. |
| 4. | Este Manual del Propietario ha sido leído. |
| 5. | Los requerimientos de protección del piso se han cumplido. |
| 6. | El sistema de ventilación está instalado apropiadamente. |
| 7. | Las distancias mínimas desde el calentador y la chimenea a materiales inflamables se han cumplido. |
| 8. | La chimenea de mampostería es inspeccionada por un profesional y está limpia, o la chimenea de metal hecha en fábrica es instalada de acuerdo con las instrucciones del fabricante y con las distancias mínimas requeridas. |
| 9. | La chimenea cumple con la altura mínima requerida. |
| 10. | Todas las etiquetas han sido retiradas de la puerta de vidrio. |
| 11. | Hay un toma-corriente cerca en caso de instalarse el ventilador opcional. |



ADVERTENCIA



Riesgo de Incendio.

Inspeccione el aparato y sus componentes para detectar cualquier daño. Componentes dañados pueden impedir una operación segura.

- NO instale componentes dañados.
- NO instale componentes incompletos.
- NO instale componentes sustitutos.

Reporte piezas dañadas a su distribuidor.

Sistemas de Estufa Típicos

Un sistema de Estufa con chimenea de mampostería consiste de:

- Estufa
- Conector de Chimenea (tubo de estufa)
- Abrazadera
- Chimenea de Mampostería
- Tapete de Protección para el Piso del Calentador

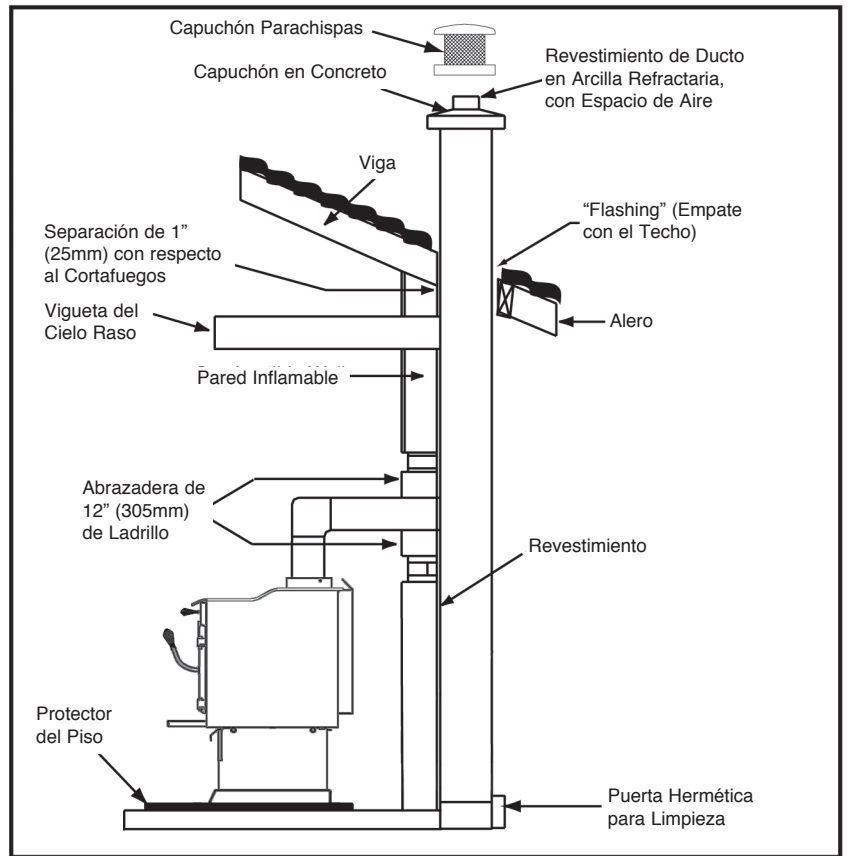


Figura 4.1 Chimenea de Mampostería

Un Sistema de Estufa con chimenea metálica prefabricada consiste de:

- Estufa
- Conector de Chimenea (tubo de estufa)
- Abrazadera (para chimenea exterior)
- Cortafuegos
- Escudos Aislantes
- Collar para Tormenta y Flashing (o empate con el techo)
- Capuchón de la Punta
- Tapete de Protección para el Piso del Calentador

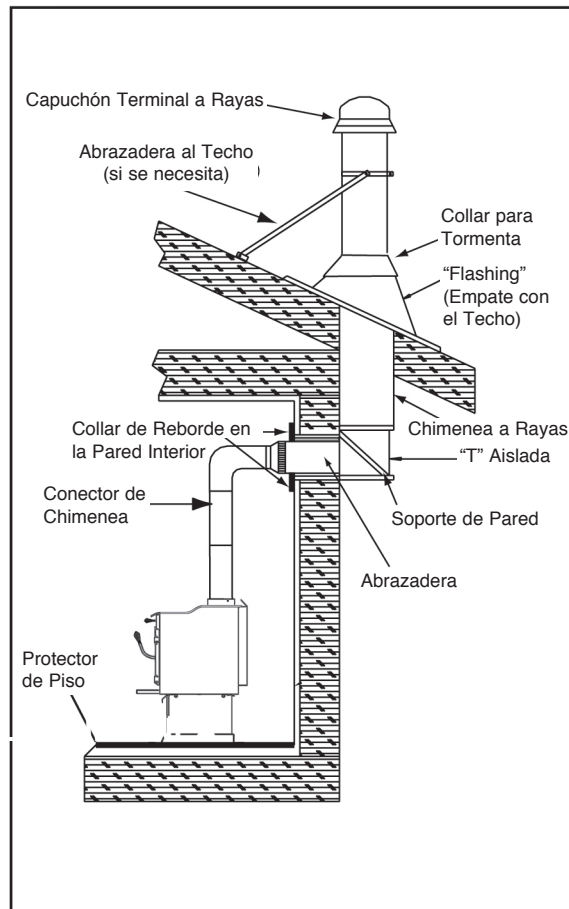


Figura 4.2 Chimenea Prefabricada Exterior

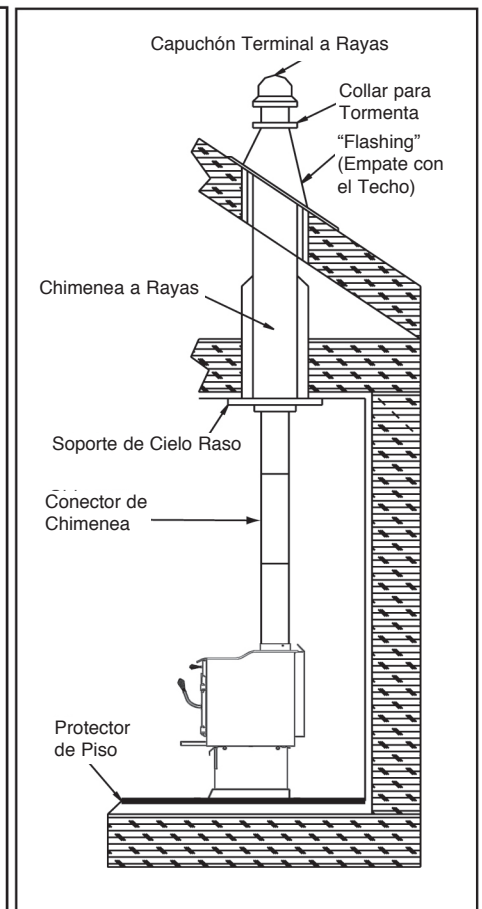


Figura 4.3 Chimenea Pref. Interior

REQUERIMIENTOS PARA LA CHIMENEA

COMPONENTES DEL SISTEMA DE VENTILACION

CONECTOR DE LA CHIMENEA:

Es también conocido como ducto o tubo de la estufa. El conector de la chimenea une la estufa a la chimenea. Debe ser un tubo de ventilación de 6" (152mm) de diámetro, en acero dulce negro de calibre 24, o bien un tubo de doble pared, con aislamiento y que esté de acuerdo con las normas vigentes.

Abrazadera:

Esta es una unidad prefabricada o bien construida en el sitio, instalada en paredes inflamables a través del cual el conector de la chimenea pasa a la chimenea. Su propósito es de evitar que las paredes se incendien. Si la abrazadera se construye en el sitio debe cumplir las normas NFPA 211. Si es prefabricada, ésta debe ser adecuada para la chimenea seleccionada y cumplir con las normas UL103 Tipo HT. Siga las instrucciones suministradas por el fabricante para abrazaderas prefabricadas tanto para chimeneas de mampostería como para chimeneas prefabricadas.

Chimenea:

La chimenea puede ser nueva o existente, de mampostería o prefabricada, y debe cumplir con las normas mínimas especificadas en la Sección 5B.B.

SISTEMAS DE CHIMENEA

Chimenea Prefabricada de Metal

- Debe ser una chimenea de 6 pulg.(152mm) de diámetro (DI) para alta temperatura, que esté certificada bajo las normas UL 103HT (2100°F) o CAN/ULC-S629.
- Se deben usar los componentes requeridos por el fabricante para su instalación.
- Se deben respetar las separaciones mínimas requeridas por el fabricante para su instalación
- Refiérase a las instrucciones del fabricante para su instalación.

NOTA: En Canadá cuando se usa una chimenea prefabricada, ésta debe estar certificada bajo las normas de seguridad Tipo UL103 HT (2100°F) CLASE "A" o CAN/ULC-S629, NORMA PARA CHIMENEAS PREFABRICADAS PARA 650°C.

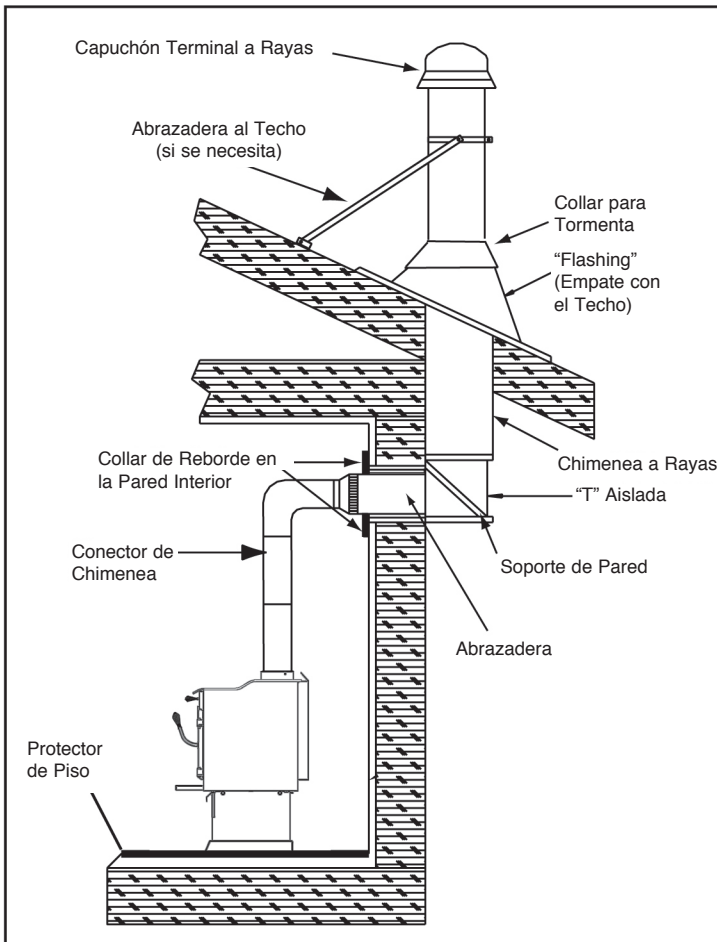


Figura 5.1 Chimenea Prefabricada Exterior

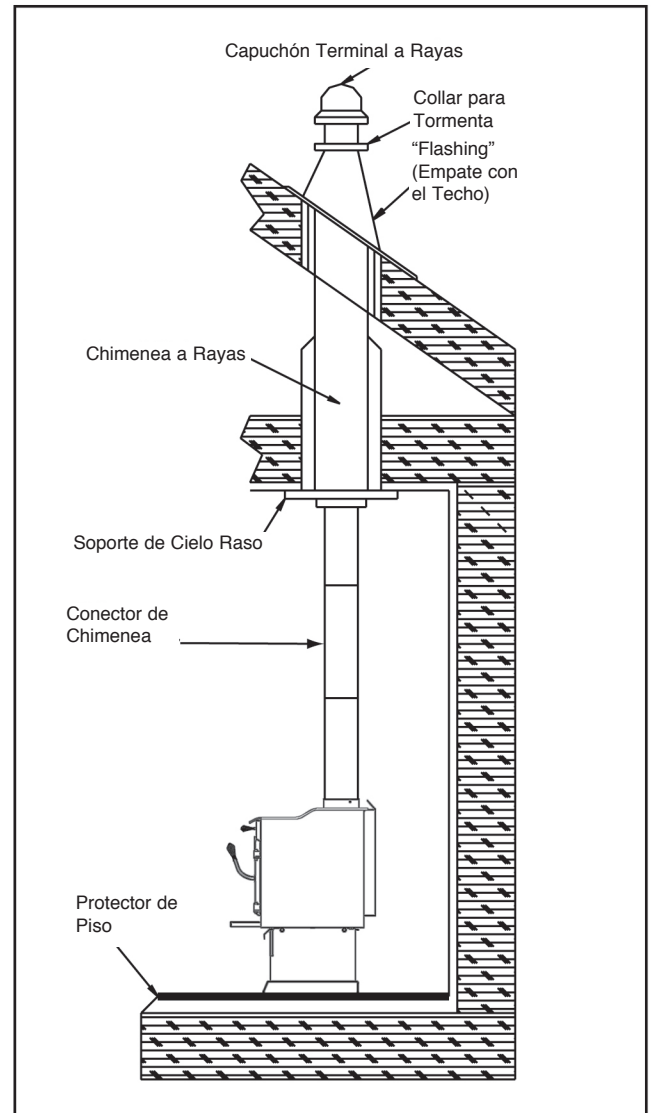


Figura 5.2 Chimenea Prefabricada Interior

Abrazadera

Construida en el sitio, para ser instalada con una chimenea de mampostería:

Componentes

- Una sección de chimenea sólida, prefabricada y aislada, con una longitud mínima de 12 pulg. [305mm] (más larga para paredes más espesas) que cumpla con las normas UL 103 Tipo HT, con diámetro interior de 6 pulg. (152mm). La chimenea tiene que extenderse un mínimo de 2 pulg. (51mm) desde la pared interior y un mínimo de 1 pulg. (25mm) desde la pared exterior.
- Espaciador de muro, collar de reborde y zuncho de muro que concuerden con la sección de chimenea sólida seleccionada.
- Sección de revestimiento de arcilla (si no existe ya en la chimenea) con un mínimo de 8 pulg. (20mm) de diámetro, y mortero refractario.

Espaciamientos

- El espaciamiento de la chimenea de mampostería debe cumplir con las normas NFPA 211, la cual consiste en un mínimo de 2 pulg. (51mm) a las láminas metálicas de soporte y al material inflamable.
- Alrededor del conector de chimenea debe haber un espaciamiento mínimo de 1 pulg. (25mm).
- La parte superior de la abertura en el muro debe estar a un mínimo de 1-1/2 pulg. (40mm) del cielo raso o 4-1/2 pulg. (114mm) por debajo del espaciamiento mínimo especificado por el fabricante del conector de chimeneas. En cumplimiento de la norma NFPA 211, debe haber un espaciamiento vertical mínimo de 18 pulg. (457mm) entre el conector de la chimenea y el cielo raso, o el mínimo recomendado por el fabricante de conectores de chimenea. **Fig. 6.1.**

Instrucciones:

1. Abra la pared interior a la altura apropiada para que el conector de chimenea penetre en la chimenea de mampostería. **Figura 6.1.**
2. El hueco de entrada a la chimenea de mampostería debe estar revestido con un revestimiento de arcilla, cuyo diámetro mínimo debe ser de 8 pulg. (203mm), o equivalente, asegurado con mortero refractario.
3. Construya un marco con medidas externas de 17 pulg. x 17 pulg. (432mm x 432mm) a partir de un listón para marco de 2 x 2, de tal manera que concuerde con la abertura en el muro. La abertura interior del marco no debe ser menor de 14 pulg. x 14 pulg. (356mm x 356mm). Figura 6.1.
4. Junte el espaciador de pared al costado del marco que da a la chimenea.
5. Clave el marco dentro de la abertura en el muro. El espaciador debe estar en el lado de la chimenea.
6. Inserte la sección de chimenea sólida aislada dentro de la pared externa de la chimenea de mampostería.
7. Asegure herméticamente la sección de chimenea sólida aislada con el zuncho de pared, a la chimenea de mampostería.
8. Inserte una sección del conector de chimenea dentro de la chimenea. Asegúrese de que no sobresalga más allá del borde del revestimiento de arcilla dentro de la chimenea.
9. Pegue el extremo del conector de chimenea al revestimiento de arcilla, mediante mortero refractario.
10. Instale un collar de reborde alrededor de la sección de chimenea sólida.

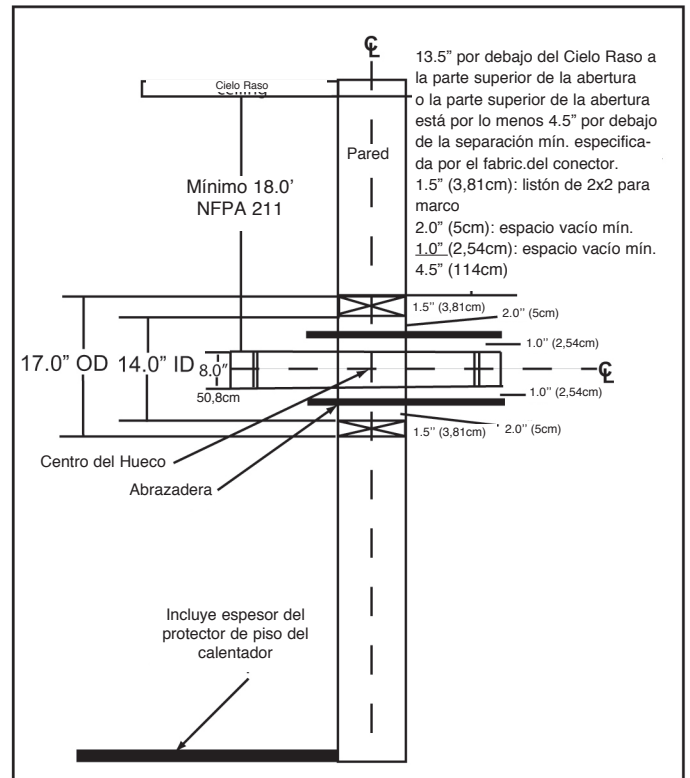


Figura 6.1
Chimenea Sólida con Soportes Metálicos a manera de Abrazadera

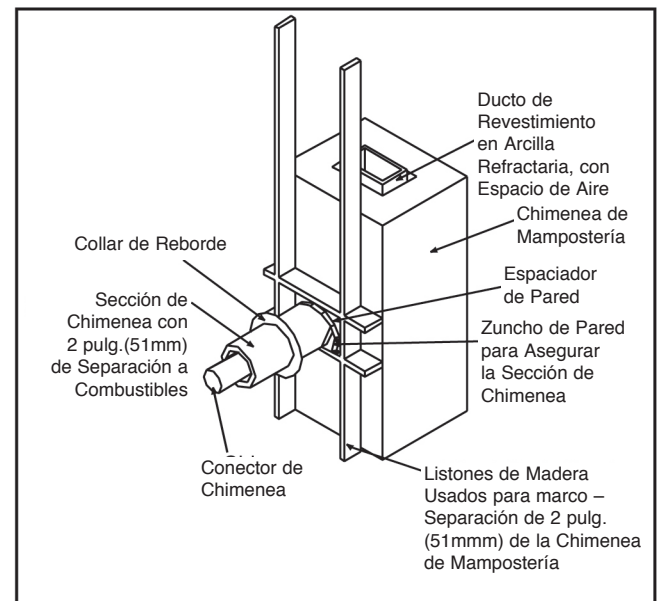


Figura 7.1



ADVERTENCIA



Riesgo de Incendio.

NO coloque material aislante u otros materiales inflamables entre los espaciadores.

- SIEMPRE conserve las separaciones mínimas especificados alrededor de los sistemas de ventilación y de los espaciadores.
- Instale los espaciadores de acuerdo con especificaciones. El no mantener material aislante u otro material alejado del tubo de ventilación puede producir incendio.

Sección de Chimenea Sólida con Soportes Metálicos a manera de Abrazadera (Cont.)

Altura de la Chimenea / Levantamiento y Desempeño

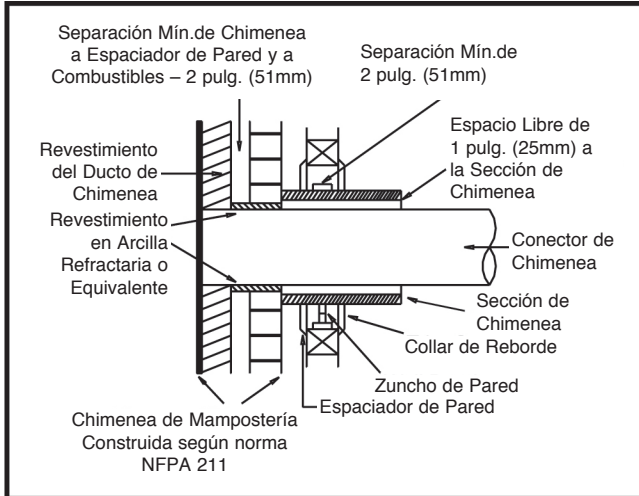


Figura 7.2

Altura de la Chimenea / Levantamiento y Desempeño

Este producto fue diseñado y probado con una chimenea de 6 pulg. (152mm) de ancho, con una altura de 14 a 16 pies (420-480cm), incluida la altura de la estufa medida desde la base de dicha estufa. Entre más variación de altura y diámetro con respecto a esta configuración, aumenta la posibilidad de problemas de desempeño. Puede que la altura de la chimenea necesite ser incrementada en un 2% por cada 1000 pies sobre el nivel del mar. No es recomendable usar codos o extensiones para compensar, cuando la altura sobre el nivel del mar supere los 4000 pies o cuando haya otros factores que afecten el tiraje del ducto.



ADVERTENCIA



Riesgo de Incendio.

Inspección de la Chimenea:

- La chimenea debe estar en buen estado.
- Debe cumplir con las normas NFPA 211
- La chimenea prefabricada debe ser de 6 pulg. (152mm) UL103HT.



ADVERTENCIA



Riesgo de Asfixia.

- NO conecte esta unidad a un ducto de chimenea que sea utilizado por otro aparato.
- NO conecte esta unidad a ningún sistema o ducto de distribución de aire.

Se pueden filtrar gases del ducto a la casa.

INSTALANDO LOS COMPONENTES DE LA CHIMENEA Conector de Chimenea

Conector sencillo de muro o tubo de estufa.

Este debe ser al menos de calibre 24 en acero dulce. Las secciones deben estar unidas al calentador y entre sí con el lado rizado (macho) dirigido hacia la estufa. Todos los empalmes, incluyendo la conexión al cuello del ducto, deben estar asegurados mediante tornillos para lámina metálica. Asegúrese de respetar las separaciones mínimas con respecto a material combustible. Cuando en Canadá se requiera que la instalación pase a través de una pared o sección de material inflamable, dicha instalación debe cumplir las normas CAN/CSA-B365.

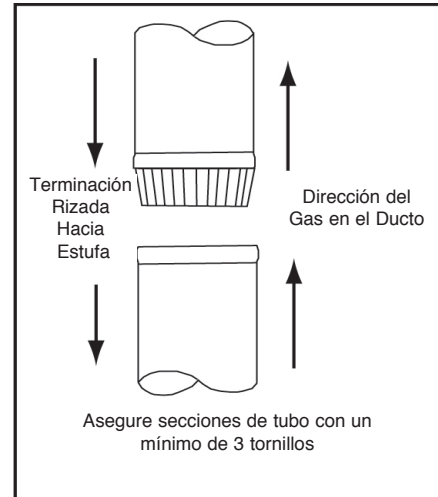


Figura 8



ADVERTENCIA



Riesgo de Incendio.

Siga las instrucciones del fabricante del Conector de Chimenea para una Instalación Adecuada.

SOLAMENTE utilice el conector:

- Dentro de la habitación, entre el aparato y el cielo raso o la pared.

El conector NO debe pasar a través de:

- El ático o el espacio en el techo
- El closet o un espacio oculto similar
- El piso o el cielo raso

Respete las separaciones mínimas a los materiales combustibles



ADVERTENCIA

Tanto una instalación inapropiada, como ajustes, alteraciones, mantenimiento o reparaciones inadecuados pueden causar heridas o daños a la propiedad. Remítase al manual del propietario suministrado con esta unidad. Para ayuda o información adicional consulte a un instalador calificado, a una agencia de reparaciones o a su distribuidor.

Requerimientos de Acabado de la Chimenea

Siga las instrucciones del fabricante acerca de separaciones mínimas, del aseguramiento del empate con el techo (o flashing) y del acabado de la chimenea.

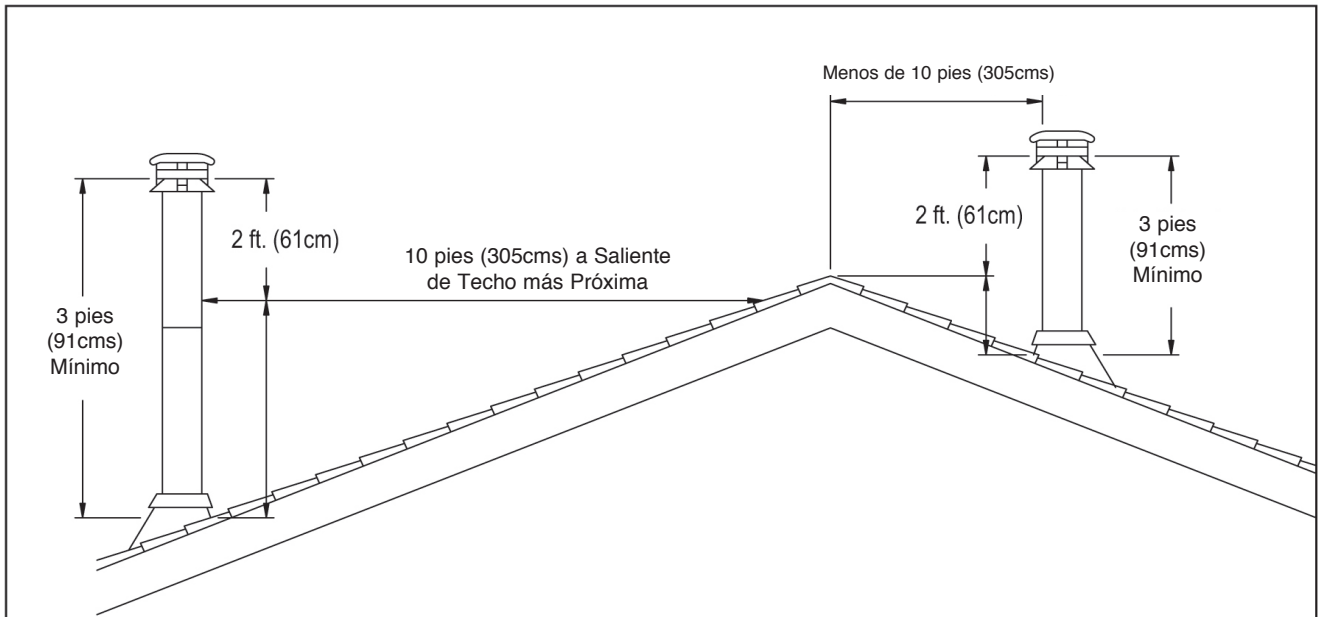
- Debe llevar un capuchón aprobado y certificado
- No debe instalarse donde pueda quedar atascado con nieve u otro material
- Debe finalizar al menos a 3 pies (91cm) por encima del techo y a por lo menos 2 pies (61cm) por encima de cualquier punto o elemento del techo en un radio de 10 pies (305cm).
- Debe ubicarse alejado de árboles y otras estructuras

NOTA:

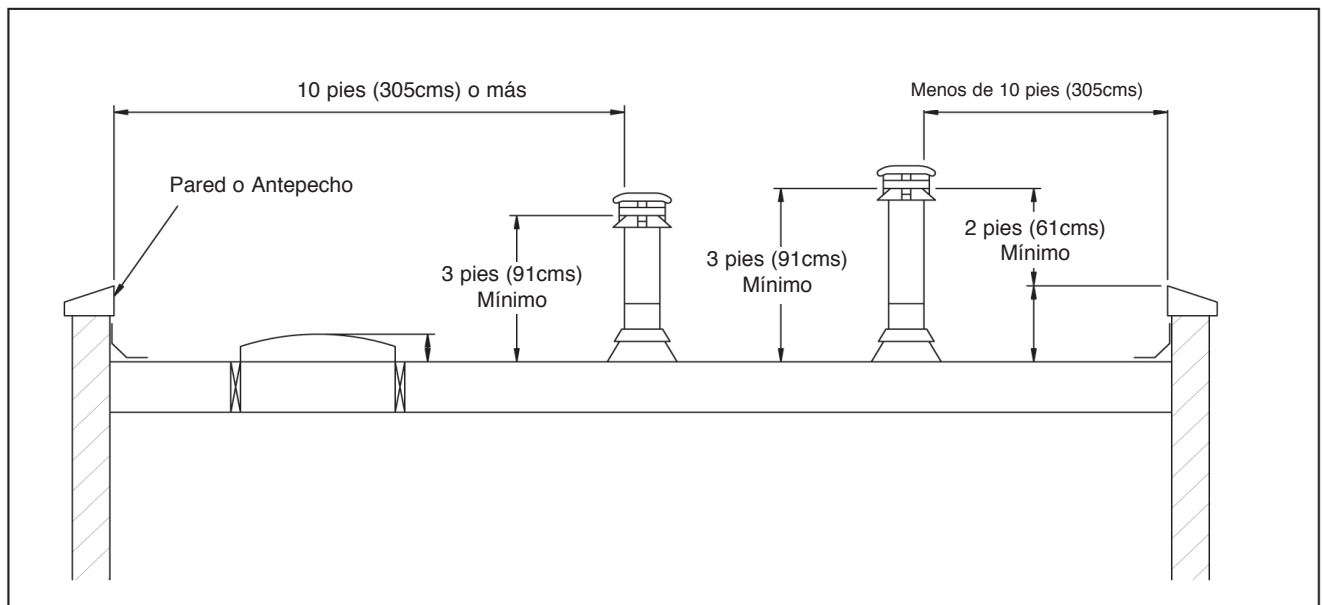
- El desempeño de la chimenea puede variar.
- Tanto árboles como edificaciones, techos y condiciones del viento pueden afectar el desempeño.
- La altura de la chimenea puede requerir ajuste en caso de que se produzcan humaredas o corrientes de aire

2-10-3 Rule

Estos son requerimientos de seguridad y no pretenden garantizar un tiraje apropiado del ducto



Techo Inclinado

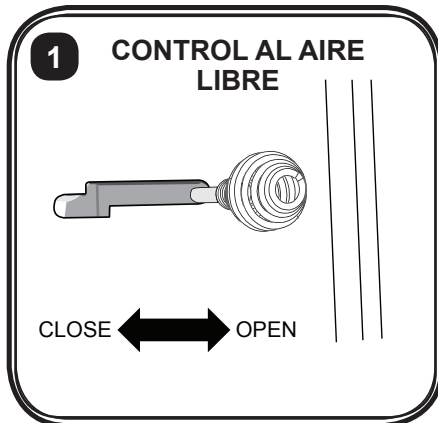


Piso Techo

GUÍA DE INICIO RÁPIDO DE LA ESTUFA DE LEÑA

ELEMENTOS NECESARIOS PARA EL PRIMER ENCENDIDO:

- 10 a 15 trozos arrugados de papel periódico
- 10 a 20 piezas de astillas secas
- Algunos trozos de madera aclimatada cortada



Deslice el control regulador de tiro hasta el final a la derecha para abrir completamente la compuerta.



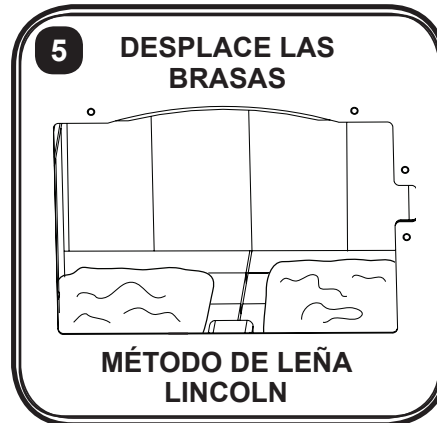
Agregue 10 a 15 pedazos de papel periódico arrugado a la cámara de combustión.



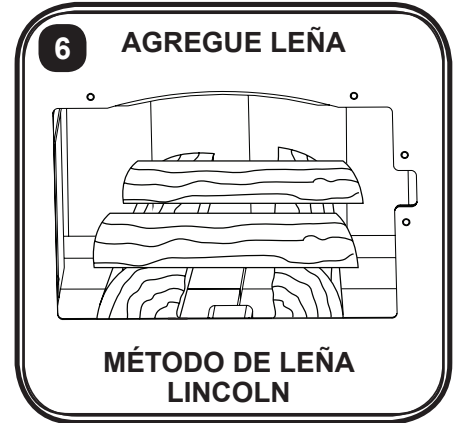
Apile de forma uniforme 10 a 20 astillas pequeñas y secas alrededor del periódico.



Encienda con cuidado el periódico con un fósforo para chimeneas o con un encendedor largo.



Desplace las brasas para crear una cavidad desde adelante hacia atrás, en el centro de la cámara de combustión, con una cantidad uniforme a la derecha e izquierda.



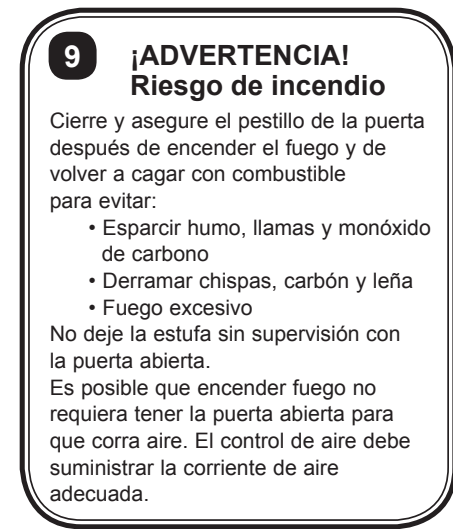
Agregue pedazos de madera partida aclimatada a la cámara de combustión según el método de leños Lincoln.



Deslice el control regulador de tiro de todo el camino a la izquierda y deje la puerta del horno entreabierta durante 5 minutos.



Cuando el fuego arda por completo, cierre completamente la puerta del horno y coloque el pestillo.



¿Preguntas, problemas, piezas faltantes? Antes de volver a la tienda, llame a nuestro Departamento de Servicio al Cliente al 877-447-4768, de lunes a viernes de 8:30 a.m. a 4:30 p.m., hora central estándar, o envíenos un correo electrónico a customerservice@ghpgroupinc.com

OPERACIÓN

No use una parrilla ni levante la llama. Genere fuego de madera directamente en el calentador. Cuando se use la estufa por primera vez los disolventes de la pintura se van a quemar.

MADERA

Este calentador está diseñado para quemar madera natural únicamente. Una mayor eficiencia y menores emisiones generalmente se obtienen cuando se quema madera dura secada al aire libre, a diferencia de madera blanda o verde, o de madera dura recientemente cortada. Utilice solamente madera seca. La madera verde, además de tener tan solo el 60% del poder combustible de la madera seca, genera depósitos de creosota al interior de la estufa y a lo largo de la chimenea. Esto puede generar un gran peligro de incendio en la chimenea. Para poder considerarse seca, la madera debe haber sido secada durante un año. Independiente de si la madera es verde o seca, ésta debe ser conservada en un lugar ventilado y cubierto para permitir que se seque apropiadamente durante por lo menos un año. La madera debe ser almacenada con una separación con respecto a combustibles por encima de la recomendada.

NO QUEME:

- Madera tratada • Disolventes • Desperdicios • Carbón
- Basura • Cartón • Papel con Colores

INSTRUCCIONES PARA LA PRIMER VEZ QUE ENCIENDA EL CALENTADOR – CURANDO LA PINTURA DE LA ESTUFA

Su estufa ha sido pintada con pintura de la más alta calidad y tiene procedimientos especiales para su cura. El calor generado por la operación normal de la estufa va a permitir el endurecimiento de la pintura. Ventile la casa durante las primeras tres veces que se utilice la estufa. La pintura sobre la estufa va a generar humo, dióxido de carbono y olor. Si no hay una ventilación adecuada, las concentraciones de humo podrían generarle irritación o causar daños personales y/o a la propiedad. Abra puertas y ventanas y utilice un ventilador si es necesario. Después de las primeras encendidas del calentador, la pintura se va a curar y no deberá haber más humo.

Las encendidas iniciales deben ser llevadas a cabo de la siguiente manera:

1. Las primeras dos encendidas deben ser de alrededor de 20 minutos y llevar la temperatura a 250 grados F.(120 grados C) aproximadamente.
2. La tercera encendida debe ser de por lo menos 45 minutos y llevar la temperatura entre 500 y 698 grados F (260-370 grados C). El hecho importante es que la pintura debe ser curada lentamente. Evite una llama muy caliente durante el proceso de curación. Durante dicho proceso la pintura estará pegajosa. Una vez curada, la pintura permanecerá dura.

Es normal observar parches planos sobre la superficie pintada de la estufa. Estos señalan las superficies más calientes de la misma, y son originados por el calor que se irradia a través de la pintura. Se espera también que manchas brillantes causadas por la fricción con los materiales de empaque desaparezcan durante la cura de la estufa.

POR LO TANTO:

1. Recuerde ventilar apropiadamente.
2. Permita que la estufa se cure antes de utilizarla por largos períodos a altas temperaturas.
3. Parches planos en las superficies pintadas son normales.
4. Parches brillantes en las superficies pintadas, antes de la cura, son normales
5. Llame a su distribuidor si tiene preguntas.

ENCENDIENDO UN FUEGO

1. Abra completamente el control de aire de entrada.
2. Coloque una pequeña cantidad de papel arrugado en la estufa.
3. Coloque sobre el papel una cantidad generosa de astillas y unos cuantos trozos de madera, formando una pila cónica.
4. Encienda el papel y cierre la puerta. Si la llama se disminuye sustancialmente entreabra la puerta.
5. Usando el método de leña lincoln, adicione trozos más grandes de madera a medida que el fuego aumenta, teniendo en cuenta de no sobrecargarla. No llene el horno más allá del área con ladrillo refractario. Una cama ideal de carbón de 1" a 2" debería ser colocada para obtener desempeño óptimo.
6. Esta unidad está diseñada para funcionar de manera más efectiva cuando se permite que el aire circule en todas las áreas del horno. Una forma ideal de lograrlo es abriendo con el rastrillo un canal (de 1 a 2 pulgadas de ancho) a través del centro de la cama de carbón de adelante hacia atrás, antes de alimentar con madera.
7. Una vez la madera ha sido cargada, cierre la puerta y abra completamente el control de entrada del aire hasta que el fuego se haya consolidado (aprox. 10 minutos); sea cuidadoso eso sí de no generar un recalentamiento.
8. Reajuste el control de entrada del aire a la rata de combustión deseada. Si el horno se llena de humo en exceso, entreabra el control de entrada del aire hasta que las llamas se vuelvan a activar y que la madera se haya encendido suficientemente. Mientras se tiene como regla empírica básica que "cerrado=fuego bajo", "abierto a la mitad=medio" y "completamente abierto=alto".
9. Cuando se recargue con madera, ajuste el control del aire a la posición de "completamente abierto". Cuando el fuego se abrigante abra la compuerta lenta y cuidadosamente. Este procedimiento va a impedir que los gases se enciendan, evitando que haya humo y que la llama se desparrame.
10. Adicione madera, teniendo cuidado de no sobrecargarlo.
11. No genere fuego cerca del vidrio. Esto puede hacer que éste se rompa.

PRECAUCIÓN: Existen riesgos con algunos combustibles (por ejemplo, carbón vegetal), así como la posibilidad de generar monóxido de carbono, los cuales hay peligros asociados con el también.



NUNCA UTILICE GASOLINA, COMBUSTIBLE TIPO-GASOLINA PARA LÁMPARA, QUEROSENO, LÍQUIDO PARA ENCENDER CARBÓN, O LÍQUIDOS SIMILARES PARA INICIAR O REAVIVAR UN FUEGO EN ESTE CALENTADOR. MANTENGA TALES LÍQUIDOS COMPLETAMENTE ALEJADOS DE LA UNIDAD MIENTRAS ESTÉ EN USO.

CUIDADO DEL VIDRIO

El siguiente uso y consejos de seguridad deben ser seguidos:

1. Inspeccione periódicamente el vidrio para determinar que no tenga fisuras ni roturas.

Si detecta una fisura o rotura, apague el fuego inmediatamente, y contacte a su distribuidor con el fin de cambiar el vidrio.

2. No cierre la compuerta con violencia para no dañar el vidrio.

Cuando cierre la compuerta, asegúrese de que no haya leños u otros objetos salientes para evitar golpear el vidrio.

3. No limpie el vidrio con materiales que lo puedan rayar (y eventualmente dañar). Rayones sobre el vidrio pueden convertirse en fisuras o roturas.

4. Nunca trate de limpiar el vidrio mientras que la unidad esté caliente. Si la suciedad no es muy pesada, un líquido limpia-vidrios normal será suficiente, aplicado con un paño no abrasivo. Depósitos más pesados pueden ser removidos mediante el uso de un producto limpia-hornos fácilmente disponible.

5. Nunca coloque dentro de la unidad sustancias que puedan explotar, ya que aún explosiones pequeñas en pequeños espacios pueden explotar el vidrio.

6. Esta unidad tiene un sistema de lavado con aire, diseñado para reducir los depósitos sobre el vidrio.

7. Los depósitos pueden formarse en el vidrio durante el funcionamiento y uso normales. Los limpiadores de vidrio normales son útiles para eliminar estos depósitos. Los depósitos más pesados pueden limpiarse con un paño húmedo que haya sido colocado en cenizas de la madera o con ayuda de un limpiador de horno disponible a nivel comercial.

REEMPLACE EL VIDRIO ÚNICAMENTE CON VIDRIO CERÁMICO DE 5 MM DEL GRUPO GHP (VER LAS PIEZAS DE REPUESTO EN LA PÁGINA 18).

VIDRIO DE REPUESTO

PRECAUCIÓN: Asegúrese de que el fuego está apagado y de que la estufa está completamente fría al tacto.

1. Ubique un lugar que le permita quitar el vidrio con seguridad y asegurar que no se va a dañar el marco de la puerta o los muebles o decoración de la habitación.

2. Use un par de guantes de protección, retire las tuercas de presión que sostienen los pasadores de las puertas para que éstas no se salgan; retire luego la puerta de las bisagras.

3. Coloque la puerta boca abajo sobre una superficie de protección previamente preparada (paso 2).

4. Retire los tornillos de todos los retenedores del vidrio y quite el vidrio roto, asegurándose de que al marco de la compuerta no le quede ninguna astilla. (Si se dejan astillas, el nuevo vidrio no va a sellar correctamente provocando que la estufa combustione de manera inapropiada.)

5. Colóquelo la empaquetadura (véase las piezas de repuesto

del Grupo GHP, pág. 18) sobre el nuevo vidrio e instálela también en el marco de la puerta.

6. Remplace los retenedores del vidrio mediante tornillos, asegurándose de no dañar la rosca o de apretar demasiado.

7. Coloque la puerta en las bisagras e instale nuevas tuercas de presión (compradas al Grupo GHP) sobre los pasadores de la puerta para garantizar que ésta queda fija una vez reinstalada.

REPLAZO DE LA EMPAQUETADURA

Después de mucho uso, el material que hace que el vidrio y la puerta sellen puede requerir ser remplazado en caso de que no mantenga su elasticidad. Inspeccione periódicamente el sellado de la puerta y el vidrio para asegurarse que se mantenga. Si la empaquetadura se torna cuarteada o desgastada replácela inmediatamente.

Contacte a su distribuidor o al Servicio al Cliente del Grupo GHP para obtener piezas de repuesto aprobadas. Los siguientes pasos deben ser seguidos para remplazar la empaquetadura:

1. Asegúrese de que el calentador no está en funcionamiento y de que se ha enfriado completamente.

2. Retire los tornillos y el broche del vidrio.

3. Levante el vidrio del broche.

4. Retire la empaquetadura vieja y limpie el vidrio.

5. Coloque la nueva empaquetadura comenzando por la parte inferior del vidrio, subiendo por los bordes y asegurándose de centrar la canal de la empaquetadura en el vidrio.

6. Asegúrese de recortar los extremos de la empaquetadura si es necesario, para que dichos extremos queden juntos.

7. Vuelva a colocar el vidrio en la puerta, asegurándose de no apretar demasiado el tornillo y el broche.

Los siguientes son los pasos para remplazar la empaquetadura de la puerta:

1. Asegúrese de que el calentador no está en funcionamiento y de que se ha enfriado completamente.

2. Retire la vieja empaquetadura de la puerta y limpie la canal.

3. Empleando un pegante aprobado de empaquetaduras para alta temperatura, aplique una fina capa en el fondo de la canal.

4. Comenzando en el lado de la bisagra en la puerta, coloque la empaquetadura en la canal, junte los extremos y recorte el exceso si es necesario.

5. Cierre la puerta y deje pasar de tres a cuatro horas para que el pegante se seque, antes de volver a encender el calentador.

CREOSOTA

Creosota: Formación y necesidad de limpieza

Cuando la madera se quema lentamente, produce alquitrán y otros vapores orgánicos que se combinan con la humedad que se expele para formar la creosota. Los vapores de la creosota se condensan en el tiro de la chimenea que está relativamente fresco mientras los leños están encendidos a fuego lento. Como consecuencia, los residuos de la creosota se acumulan en el recubrimiento o forro del tiro. Al encenderse la creosota hace que el fuego sea extremadamente caliente.

El conector de la chimenea y la chimenea deben revisarse por lo menos una vez cada dos meses durante la estación cálida para determinar si se ha producido una acumulación de creosota.

Si la creosota se ha acumulado (3 mm o más), debe limpiarse para reducir el riesgo de un incendio en la chimenea.

FORMAS DE PREVENIR Y DE MANTENER LA UNIDAD LIBRE DE CREOSOTA

1. Durante la estación fría, queme con el control de aire abierto durante varios minutos en repetidas ocasiones durante el día, teniendo eso sí cuidado de no generar un recalentamiento. Esto permite retirar la delgada capa de creosota acumulada durante la época de baja utilización del calentador.
2. Siempre que utilice madera fresca, opere la estufa con el control de tiraje completamente abierto por varios minutos. Esto permite que la madera alcance más rápidamente el estado de carbón vegetal y que se quemem los vapores de la madera que de otra manera se depositarían en el sistema.
3. QUEME MADERA SECA ÚNICAMENTE. Evite quemar madera húmeda o verde. Consideramos como madera seca aquella que ha sido secada durante por lo menos un año.
4. Un fuego pequeño y caliente es preferible a uno grande que arde lentamente el cual puede depositar creosota en el sistema.
5. Establezca una rutina para las técnicas de encendido, de alimentación con madera y de quema de la misma. Para garantizar seguridad, verifique diariamente la formación de creosota hasta que por experiencia usted sepa cada cuánto debe efectuar limpieza. Tenga en cuenta que entre más caliente sea el fuego, menor creosota se va a depositar y que una limpieza semanal puede ser necesaria durante las épocas de clima no tan frío; sin embargo en los meses más fríos, una limpieza mensual puede bastar. Contacte a su autoridad local para información acerca de qué hacer en caso de un incendio de chimenea. Tenga un plan claro y concreto de cómo manejar un incendio de chimenea.

ADVERTENCIA: Detalles a recordar en caso de un incendio de chimenea:

1. CIERRE EL CONTROL DE TIRAJE.
2. LLAME AL DEPARTAMENTO DE BOMBEROS.

CÓMO DISPONER DE LAS CENIZAS

Esta unidad dispone de un práctico recipiente de cenizas para extraer fácilmente las mismas. Cuando la unidad se esté usando permanentemente, las cenizas deben ser retiradas cada cierto número de días, o cuando las cenizas en el horno alcancen de tres a cuatro pulgadas de espesor. Retire las cenizas solamente cuando el fuego se haya extinguido completamente y las cenizas se hayan enfriado. Aún así, puede de pronto encontrarse con unas cuantas brasas calientes.

Eliminación de las cenizas:

Las cenizas deben colocarse en un recipiente de acero con una tapa hermética. El recipiente para las cenizas debe retirarse a la parte exterior de inmediato y debe colocarse sobre una superficie no inflamable o en el suelo, bien alejado de los materiales inflamables, hasta que se desechen. Si las cenizas se desechan mediante el entierro en el suelo o se dispersan a nivel local, deben mantenerse en un recipiente cerrado hasta que el rescolado haya enfriado por completo. No se debe colocar

ningún otro tipo de desecho en este recipiente.

UTILIZANDO EL CAJÓN DE CENIZAS

NOTA: Algunos carbones pueden estar todavía calientes a pesar de que la estufa se sienta fría al tacto.

1. Asegúrese de que la estufa está completamente fría.
2. Abra la puerta de vidrio y levante el ladrillo refractario para el cajón de cenizas, pasando un atizador a través del gancho de metal que está en la parte superior de dicho ladrillo. Coloque este ladrillo a un lado dentro del horno.
3. Usando una escobilla, barra las cenizas a través del hueco, de tal forma que las mismas caigan en el cajón correspondiente.
4. Asegúrese de que ninguna partícula queda sobre el hueco. Esto es importante para garantizar que el ladrillo, una vez puesto en su sitio, se selle completamente contra el fondo de la estufa metálica. Si dicho ladrillo no sella completamente el hueco correspondiente, la estufa no va a trabajar correctamente.
5. Utilizando guantes, hale hacia afuera el cajón de las cenizas mientras sostiene el fondo del mismo con la otra mano para que no vaya a caer al piso.
6. Coloque las cenizas en el recipiente metálico con tapa hermética.
7. Vuelva a colocar en su posición original tanto el cajón de las cenizas como el ladrillo refractario.

IMPORTANTE

CONSEJOS ÚTILES

1. ¿Cuál es la forma correcta de iniciar un fuego?

- a) Va a necesitar pequeños trozos de madera seca (astillas) y papel. Solamente utilice papel periódico, o que no tenga capa de tinta o materiales desconocidos que hayan sido pegados o aplicados al mismo. Nunca utilice papel con capa de tinta (como en los volantes de publicidad) o papel de color.
- b) Abra la puerta de la estufa.
- c) Arrugue varios pedazos de papel y colóquelos en el centro del horno, directamente sobre los ladrillos refractarios. No utilice nunca una parrilla para levantar el fuego.
- d) Coloque pequeños trozos de madera seca (astillas) sobre el papel formando una pila cónica. Esto permite una buena circulación de aire la cual es crítica para una buena combustión.
- e) Encienda el papel arrugado en 2 o 3 puntos. Nota: Es importante calentar el aire en el ducto para que el tiraje comience.
- f) Abra completamente el control del aire de la estufa, y cierre la compuerta hasta que quede ligeramente entreabierta; ello va a permitir que entre al horno el aire necesario. Nunca deje la compuerta completamente abierta por cuanto se pueden producir chispas de las astillas las cuales pueden causar heridas o daños a la propiedad. A medida que el fuego queme las astillas, astillas adicionales

les pueden ser necesarias para mantener el fuego. NO adicione más papel después de que el fuego ya se ha iniciado.

g) Una vez que las astillas se han comenzado a quemar, comience a adicionar algunos de los trozos más pequeños de madera seca. NOTA: El adicionar trozos grandes al comienzo hará que el fuego se apague. Continúe adicionando pequeños trozos de madera seca, manteniendo la puerta ligeramente abierta hasta que cada trozo se encienda. Tenga siempre presente en abrir lentamente la puerta cuando esté adicionando madera.

h) Una vez que la madera ha comenzado a encender y que el humo ha disminuido, cierre completamente la puerta de la estufa. La disminución de humo es un buen indicativo de que el tiraje en la chimenea se ha iniciado y de que una buena combustión es ahora posible. En la medida en que va haciéndose espacio en el horno, se puede comenzar a introducir trozos más grandes de madera seca. Ajuste el control de aire a la graduación deseada.

I) Nota: Entre más bajo se tenga el control de entrada de aire, mayor será el tiempo de combustión.

2. ¿Cuál es el mejor tipo de madera para el calentador?

Se debe usar madera que ha sido secada durante por lo menos un año. Evite madera verde que aún no esté seca. La madera verde, además de suministrar tan solo el 60% del valor de combustión de la madera seca, va a depositar creosota al interior de la estufa y de la chimenea.

3. ¿Qué significa madera seca, y cuál puede ser considerada madera dura?

Madera seca es aquella que ha sido secada por un período de un año en un lugar cubierto y bien ventilado. Maderas duras son por lo general de árboles que han crecido lentamente (Ejemplo: Roble y Abeto). Maderas blandas son por lo general de árboles que han crecido rápidamente. (Ejemplo: Pino y Picea)

4. ¿El seguir los pasos para iniciar un fuego indicados arriba, permitirá tener un fuego perfecto todo el tiempo?

La respuesta es sí las más de las veces. Hay muchas variables que pueden influir en su tasa de éxito cuando de iniciar un fuego se trata. Muchas de estas variables y cómo manejarlas van a ser aprendidas a través de la experiencia. Su habilidad para iniciar un buen fuego se va incrementar significativamente con el tiempo y con

paciencia. Algunas de las razones para un pobre desempeño de la estufa serán cubiertas en la siguiente sección.

5. ¿Por qué no puedo hacer que el fuego se encienda?

Una madera mojada o húmeda y un tiraje deficiente son las principales razones para obtener pobres resultados cuando se quiere encender un fuego. Utilice siempre madera que haya sido secada durante un año.

Pero aún madera secada durante dos años será difícil de encender si ha llegado a humedecerse.

6. ¿Por qué siempre hay una gran cantidad de humo negro y espeso en el horno?

La presencia de una gran cantidad de humo negro y espeso en el horno es signo de que el tiraje es pobre.

7. ¿Es normal que al principio de un fuego el vidrio se cubra de hollín?

Su estufa ha sido construida con un sistema de limpieza de aire que le ayudará a mantener el vidrio despejado cuando el horno ha alcanzado una buena temperatura de operación y tiene un buen tiraje. Una temperatura baja del horno y un pobre tiraje generan que el vidrio se cubra de hollín. Una vez que el tiraje y la temperatura del horno aumentan el hollín se irá quemando.

8. ¿Qué es tiraje?

Tiraje es la habilidad de una chimenea para evacuar subproductos del proceso normal de combustión.

9. ¿Qué puede causar un tiraje deficiente?

Los factores más comunes para un tiraje deficiente son:

- a) Presión atmosférica y suministro de aire
- b) Condiciones Ambientales
- c) Baja temperatura de la chimenea
- d) Deficiente instalación y mantenimiento de la chimenea

Presión Atmosférica y Suministro de Aire. La presión atmosférica que afecta el tiraje de la chimenea puede estar afuera de la casa, dentro de la casa o en ambas partes. Fuera de la casa, un día con alta presión (despejado y fresco) generalmente crea un mejor tiraje que un día de baja presión (nublado y húmedo). Dentro de la casa, aparatos domésticos normales tales como secadores de ropa y hornos de aire forzado compiten por el aire, creando una condición conocida como presión negativa, la cual provoca una insuficiencia de aire que no favorece el encender un fuego. Bajo condiciones extremas de presión negativa la combustión de subproductos puede devolverse de la chimenea hacia la casa. Esta condición se conoce comúnmente como tiraje hacia

abajo. Hay muchos factores que influyen en la cantidad de aire disponible en la casa. Una gran cantidad de ventanas con sistemas de aislamiento de vinilo, sellado extra en diferentes partes y sellos en las puertas ayudan a que el calor se conserve, pero por otro lado hacen que el aire se vuelva más escaso dentro de la casa. Si piensa que de pronto el aire es insuficiente para la combustión en la estufa, restrinja en lo posible el uso de aquellos aparatos que consumen aire, o abra una ventana o una puerta para permitir que el aire entre en la casa.

Condiciones Ambientales

Árboles altos, ubicación de la casa en partes bajas tales como un valle, edificios altos, o estructuras que rodean la casa y vientos pueden causar un tiraje hacia abajo o tiraje invertido.

Baja Temperatura de la Chimenea

Evite una temperatura baja de la chimenea encendiendo un fuego caliente en los primeros 15 a 40 minutos, teniendo eso sí cuidado de no generar un recalentamiento. Si alguna sección de la chimenea o piezas de la estufa comienzan a brillar es porque usted está recalentando la estufa. En lo posible, instale un medidor de temperatura en la chimenea para que pueda darse cuenta cuando su temperatura baja.

Deficiente Instalación y Mantenimiento de la Chimenea

Evite el uso excesivo de codos o de ductos horizontales muy largos. Si tiene dudas, solicite ayuda a un experto en chimeneas y/o a un fabricante de chimeneas. Limpie con frecuencia la chimenea, el capuchón antilluvia y especialmente el parachispas. Ello previene el aumento de la creosota, la cual reduce significativamente el tiraje de la chimenea y puede originar incendio al interior de la misma.

10. ¿Debería cerrar o abrir completamente el control de aire cuando esté apagando la estufa?

Cuando esté apagando la estufa abra completamente el control de aire. Esto permite que la temperatura de la chimenea se mantenga tan alta como posible por mayor cantidad de tiempo. Recuerde que la temperatura baja en la chimenea genera creosota.

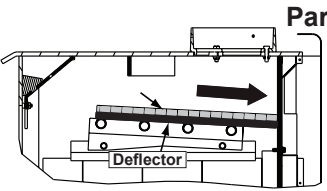
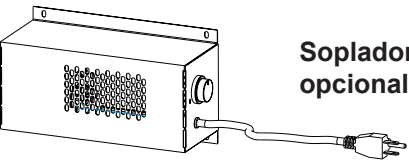
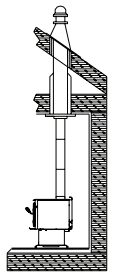
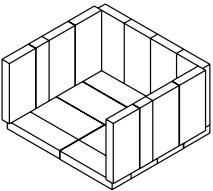
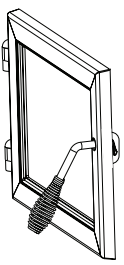
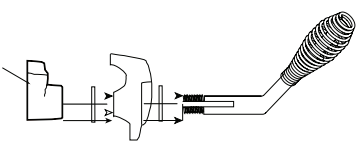
NOTA: Estas instrucciones pretenden ser una ayuda y no reemplazan los requerimientos tanto locales, como provinciales y estatales. Verifique los mismos con las autoridades competentes de su localidad.

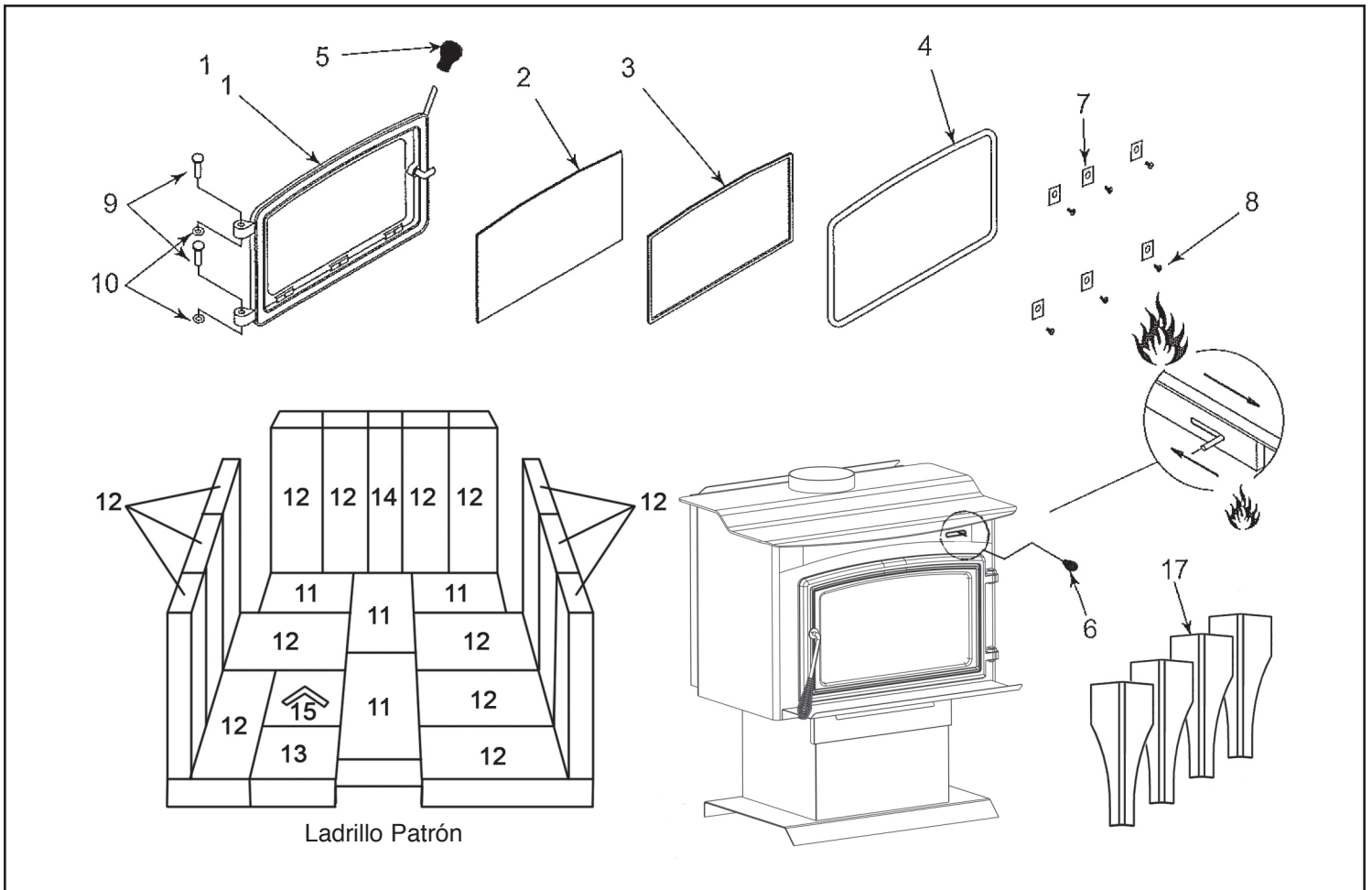
GUÍA DE MANTENIMIENTO DE REFERENCIA RÁPIDA



¡PRECAUCIÓN! Deje que la estufa se enfríe completamente antes de realizar cualquier rutina de limpieza o mantenimiento.

Comience la primera inspección después de los primeros 2 meses de uso o si cambia el rendimiento, y ajuste su itinerario según esto. El mantenimiento es obligatorio para un funcionamiento seguro y para mantener la garantía.

| ÁREA DE MANTENIMIENTO | FRECUENCIA | PARA REALIZAR TRABAJOS |
|--|---|---|
|  <p>Parte posterior Deflector y manta</p> | MENSUALMENTE o después de cada carga de leña | La posición del deflector y la manta es muy importante para la salida de calor, la eficacia y la vida útil general de la unidad. Asegúrese de que el deflector esté presionado completamente en la parte posterior de la cámara de combustión y que la manta esté estirada. Revise que el deflector no tenga grietas. |
|  <p>Soplador opcional</p> | ANUALMENTE o después de cada 4 cargas de leña | Aspire los impulsores del soplador. |
|  <p>Sistema de chimenea</p> | CADA 2 MESES o después de cada 4 cargas de leña | Se debe inspeccionar la chimenea y su tapa para asegurarse de que no tengan hollín ni creosota cada dos meses durante la temporada de uso o más frecuentemente si la chimenea excede o tiene menos de 4,27 a 4,88 m (14 a 16 pies) medidos desde la parte inferior de la unidad. Esto evitará que se bloqueen las tuberías, que haya una corriente de aire deficiente y que haya fuego en la chimenea. Siempre quemé leña seca para ayudar a evitar que se bloquee la tapa y se acumule creosota. |
|  <p>Retiro de los ladrillos refractarios y de cenizas</p> | SEMANALMENTE o después de cada 25 cargas de leña | Las cenizas se deben enfriar antes de poder deshacerse de ellas en un contenedor no inflamable. Los ladrillos refractarios están diseñados para proteger la cámara de combustión. Después de retirar las cenizas, inspeccione los ladrillos refractarios y reemplace los que estén desprendidos, agrietados o rotos. |
|  <p>Ensamblajes de la puerta y el vidrio</p> | SEMANALMENTE o después de cada 25 cargas de leña | Mantenga la puerta y la empaquetadura de vidrio en buena forma para mantener buenos tiempos de encendido en una configuración de quemado bajo. A modo de prueba: Coloque un billete de un dólar entre la estufa y la puerta, y luego cierre la puerta. Si puede sacar el billete jalándolo, reemplace la empaquetadura de la puerta. Revise el marco de vidrio no tenga tornillos sueltos para evitar fugas de aire. Verifique que el vidrio no tenga grietas. |
|  <p>Manija de la puerta</p> | SEMANALMENTE o después de cada 25 cargas de leña | Asegúrese de que el pestillo de la puerta esté ajustado correctamente. Esto es muy importante, especialmente después de haber instalado el sello de cuerda para puerta en la parte frontal de la estufa. Revise la manija de la puerta para ver si la leva funciona correctamente. |



Grupo GHP se reserva el derecho de hacer cambios en el diseño, materiales, especificaciones, precios y discontinuar colores y productos en cualquier momento, sin previo aviso.

| Item No. | Descripción | Cant. | No. de Parte |
|----------|---|-------|--------------|
| 1. | Conjunto de la Puerta | 1 | 75-21-503 |
| 2. & 3. | Vidrio (43,18 cm de ancho x 24,77 cm de alto) y Empaquetadura | 1 | 75-21-514 |
| 3. | Empaquetadura del vidrio de 1/8" | 4.3' | 75-21-123 |
| 4. | Empaquetadura de la puerta de 5/8" | 5.1' | 75-21-143 |
| 5. | Manija Resortada | 1 | 75-20-140 |
| 6. | Manija Resortada del Control de Aire | 1 | 75-20-141 |
| 7. | Gancho del Vidrio | 6 | 75-25-131 |
| 8. | Tornillo | 6 | 75-21-141 |
| 9. | Pasador de la Bisagra | 2 | 75-20-132 |
| 10. | Tuerca de Presión | 2 | 75-21-150 |
| 11. | Ladrillo Refr. 7 3/4" x 4 7/16" x 1 1/4" | 4 | 75-21-145 |
| 12. | Ladrillo Refr. 9" x 4 7/16" x 1 1/4" | 15 | 75-21-147 |
| 13. | Ladrillo Refr. 4 1/2" x 4 7/16" x 1 1/4" | 1 | 75-21-146 |
| 14. | Ladrillo Refr. 9" x 2 1/2" x 1 1/4" | 1 | 75-21-148 |
| 15. | Ladrillo Refr. para Cajón de Cenizas | 1 | 75-21-149 |
| 16. | Conjunto de Cajón de Cenizas | 1 | 75-21-512 |
| 17. | Conjunto de Patas | 4 | 75-22-510 |

5 años de garantía

El Grupo GHP garantiza que su nueva estufa de combustión de madera, estufa de combustión de pellets, o el inserto de madera de mampostería está libre de defectos de fabricación y defectos en los materiales durante un periodo de cinco años a partir de la fecha de venta, con sujeción a las siguientes condiciones y limitaciones.

- Esta garantía se extiende al propietario original únicamente, para uso residencial, y está sujeta a una prueba de compra.
- El nuevo producto de GHP debe ser instalado y operado en todo momento de acuerdo con las instrucciones de instalación y de operación suministradas con el aparato, y la instalación debe ceñirse a las normas locales y nacionales. Cualquier modificación, abuso intencional, accidente, fuego excesivo o uso indebido no será cubierto por la garantía.
- La garantía no es transferible, y está extendida al propietario original, siempre que la compra se haya hecho a través de un proveedor autorizado del Grupo GHP. En el momento de presentación de la reclamación, el número de serie debe ser suministrado junto con la factura de venta, la cual debe indicar la fecha de compra.
- Una vez que dicho defecto ha sido confirmado por el Grupo GHP o mediante la inspección de un representante autorizado, esta garantía se limitará únicamente a la reparación o sustitución de piezas, las cuales hayan sido encontradas defectuosas en su material o construcción, siempre que dichas piezas hayan sido sometidas a condiciones normales de uso y servicio. Las piezas defectuosas deben ser enviadas de vuelta al fabricante (a discreción del Grupo GHP), con flete pre-pagado. Los créditos se emitirán una vez que el Grupo GHP reciba la devolución de los productos defectuosos.
- GHP Group, a su discreción, puede dar cumplimiento pleno a todas las obligaciones con respecto a esta garantía, mediante el reembolso del precio al por mayor de la (s) pieza (s) defectuosa (s).
- Cualquier instalación, mano de obra, construcción, transporte u otros costos relacionados o gastos derivados de las piezas defectuosas, la reparación, reemplazo o no de los mismos, no serán cubiertos por esta garantía, ni el Grupo GHP asumirá la responsabilidad de los mismos. Además, el Grupo GHP no se hace responsable de ningún daño incidental, indirecto o consecutivo, salvo lo dispuesto por la ley, y en ningún caso superará el precio de compra original.
- Todas las demás garantías expresas o implícitas - con respecto al producto, sus componentes y accesorios, o cualquier otra obligación o responsabilidad por parte del Grupo GHP quedan expresamente excluidas.
- El Grupo GHP no asume ni autoriza a ningún tercero a asumir en nombre del Grupo GHP, cualquier otra responsabilidad con respecto a la venta de este producto del Grupo GHP.
- Las garantías que se indican en este documento no se aplican a los componentes de chimenea u otros productos hechos por otros fabricantes cuando se utilizan en conjunción con la instalación de este producto. El uso inadecuado o el uso de componentes no autorizados pueden anular la garantía. En caso de duda, póngase en contacto con su proveedor más cercano del Grupo GHP o con el Departamento de Servicio al Cliente del Grupo GHP.
- El Grupo GHP no será responsable de:
 - Corrientes descendentes o esparcimiento de humo, causados por condiciones ambientales, tales como árboles cercanos, edificios, tejados, colinas, montañas, o un diseño ineficaz de la chimenea.
 - Ventilación insuficiente, compensaciones excesivas o presión negativa de aire causada por sistemas mecánicos, tales como hornos, secadoras de ropa, ventiladores, etc.

11. Esta garantía se anula si:

- El aparato ha sido operado en atmósferas contaminadas por cloro, flúor, u otros productos químicos perjudiciales.
- Este aparato ha sido sometido a períodos prolongados de humedad o de condensación.
- El aparato tiene algún daño debido al agua o a las condiciones climáticas, que son el resultado de, pero no limitado a, una inadecuada instalación de la chimenea / ventilación.
- El aparato ha sido sometido a abuso deliberado o accidental, o a uso indebido.
- La utilización de madera corrosiva como la que ha estado en contacto con agua de mar, troncos de fabricación u otros combustibles diferentes de aquellos indicados en las instrucciones de instalación y funcionamiento.
- El aparato no se mantiene en buenas condiciones, y esto incluye las partes en ladrillo refractario y las empaquetaduras.

Puertas con Vidrio y Partes Chapadas

El vidrio está garantizado contra rotura térmica únicamente. Para limpiar el vidrio, utilice un limpiador para cerámica / vidrio o una cera. No utilice limpiadores a base de amoníaco. Un limpiador apropiado se puede conseguir en su distribuidor más cercano de Pleasant Hearth. **NO LIMPIE EL**

VIDRIO MIENTRAS ESTÉ CALIENTE Y NO UTILICE LIMPIADORES ABRASIVOS.

Las piezas chapadas no serán cubiertas por esta garantía. Las piezas chapadas deberán limpiarse con alcohol desnaturalizado únicamente y frotadas suavemente con un paño sin pelusa que no sea abrasivo. El frotamiento excesivo o el pulido pueden retirar el chapado. Las piezas chapadas también pueden ser dañadas por los productos químicos externos.

Otras Exclusiones

ESTUFA DE LEÑA

Los componentes eléctricos, tales como el ventilador, están cubiertos por cinco (5) años a partir de la fecha de compra si fueron incluidos con la compra de su estufa.

Esta garantía no incluye o no se extiende a la pintura, empaquetaduras o componentes en ladrillo refractario, y no cubre ningún componente que se pueda desmontar de la cámara de combustión tales como retenedores de ladrillo o tubos de aire en acero inoxidable.

ESTUFA DE PELLETS:

Periodo de Cinco Años:

- Las uniones en la cámara de combustión, hechas en acero de carbono y soldadura, están cubiertas contra separación por cinco (5) años.
- La puerta de acero y las bisagras están cubiertas contra agrietamiento por cinco (5) años.

Periodo de Un Año:

- Las piezas de componentes tales como el alimentador, la barrena, la marmita de combustión, la placa deflectora, el eje de la barrena y los sujetadores están cubiertos por un (1) año contra la formación de grietas, roturas y la separación de costuras de soldadura.
- Los componentes eléctricos, accesorios, el vidrio y la superficie pintada de la estufa están cubiertos por un (1) año a partir de la fecha de compra

PARA REGISTRAR LA GARANTÍA DE SU CALENTADOR, POR FAVOR LLENE COMPLETAMENTE ESTA TARJETA Y ENVÍELA DENTRO DE LOS SIGUIENTES 14 DÍAS A LA FECHA DE COMPRA O REGÍSTRELA POR INTERNET EN www.ghpgroupinc.com.

NOMBRE: _____ TELÉFONO: () _____ CORREO ELECTRÓNICO: _____
 DIRECCIÓN: _____ CIUDAD: _____ ESTADO: _____ CÓDIGO POSTAL: _____
 MODELO: _____ # DE SERIE: _____ FECHA DE COMPRA: _____
 VENDEDOR AL QUE SE LO COMPRO: _____ TIPO DE TIENDA: _____
 CIUDAD & ESTADO DONDE FUE COMPRADO: _____ PRECIO QUE PAGÓ: _____

Por favor tome un minuto para proporcionarnos su respuesta A Las Sigüientes Preguntas:

¿Quién decidió primordialmente sobre esta compra? Masculino Femenino 18-24 25-39 40-59 60 en adelante

¿Propósito de Compra? _____

¿Tiene usted algún otro calentador portátil? Sí No Si Sí, escribalo _____ Marca _____

¿Cómo pretende usar su nuevo calentador? En un lugar de Construcción Granja Bodega/Comercial

Estacionamiento/Fuera del Edificio Otro

¿Cómo se enteró de este calentador? Por exposición en la tienda Anuncio de Periódico Anuncio de Revista Amigo/Familiar

Comercial de Televisión Vendedor de la Tienda Otror _____

¿Qué lo hizo seleccionar este calentador? Estilo Tamaño/Transportabilidad Precio Paquete Marca Otro _____

Usted: Tiene casa Propia Renta ¿Recomendaría usted este calentador a un amigo? Sí No

Por favor díganos sus comentarios: _____

¡GRACIAS POR COMPLETAR ESTE FORMULARIO!

La Información será mantenida de manera confidencial.



EN CASO DE QUE SE REQUIERA SERVICIO POR GARANTIA

Contacte al Servicio al Cliente del Grupo GHP. Asegúrese de que tiene el recibo de compra, y el modelo / número de serie de su producto del Grupo GHP.

No intente hacer ningún trabajo de reparación usted mismo, a no ser que haya sido pre-aprobado por el Grupo GHP por escrito, de lo contrario esto anulará la garantía.

El Grupo GHP debe autorizar la reparación y suministrar un Número de Reclamo por Garantía antes de que se lleve a cabo cualquier reparación que tenga que ver con la garantía. Sin un número de autorización, cualquier trabajo de reparación no se considerará como parte de la garantía.

REGISTRO DE GARANTÍA

IMPORTANTE: Lo invitamos a completar nuestro formulario de registro de garantía dentro los siguientes 14 días a la fecha de compra. Usted también puede registrar su garantía en el internet en www.ghpgroupinc.com. Complete el número de serie. Conserve esta parte de la tarjeta como su comprobante.



GHP Group, Inc.
6440 W. Howard St.
Niles, IL 60714-3302

Tel: (877) 447-4768
www.ghpgroupinc.com

¡GUARDE ESTA TARJEJETA!

Ponga una
Estampa Postal
Aquí

GHP Group, Inc.
6440 W. Howard St.
Niles, IL 60714-3302