

# Pleasant Hearth™



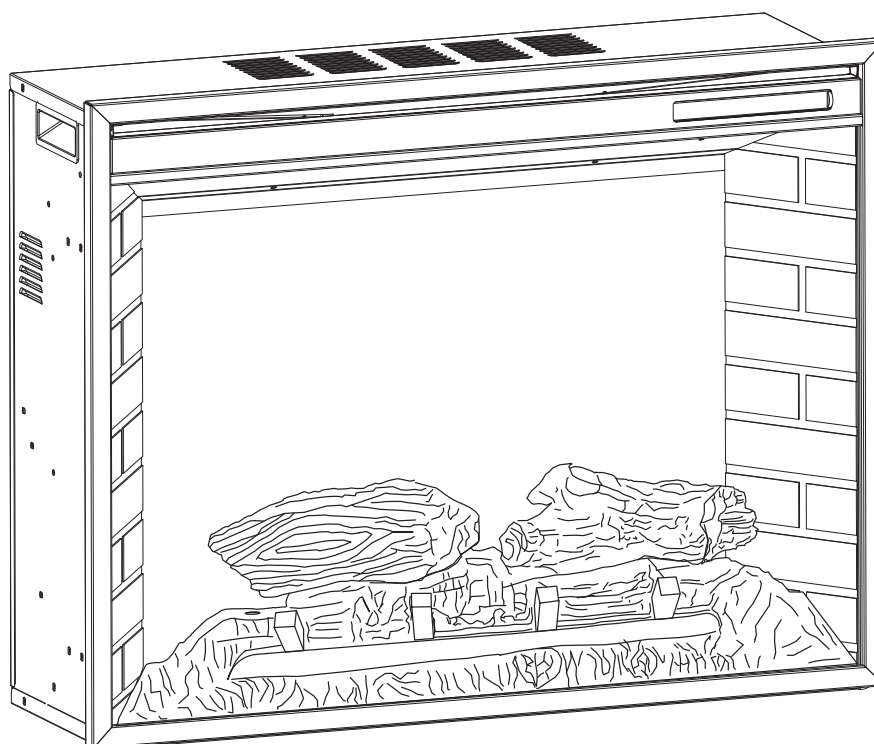
*Warming Your Home. Warming Your Heart.*

## HOMEOWNER'S INSTALLATION AND OPERATING INSTRUCTIONS

**PLEASANT HEARTH ELECTRIC FIREPLACE INSERT**  
MODEL/MODELE/MODELO #GLF-2308 / 23-800-001 / GEF23TRG18/  
28-800-001 / GLF-2808 / GEF28TRG18

Français p. 19

Español p. 39



For installation with  
Pleasant Hearth  
Fireplace Mantel



### IMPORTANT INSTRUCTIONS

PLEASE READ THIS MANUAL BEFORE INSTALLING AND USING APPLIANCE

#### WARNING!

IF THE INFORMATION IN THIS MANUAL IS NOT FOLLOWED EXACTLY,  
AN ELECTRICAL SHOCK OR FIRE MAY RESULT  
CAUSING PROPERTY DAMAGE, PERSONAL INJURY OR LOSS OF LIFE.

**INSTALLER:** Leave this manual with the appliance.  
**CONSUMER:** Retain this manual for future reference.



Questions, problems, missing parts? Before returning to your retailer, call our customer service department at 877-447-4768 8:30 a.m. – 4:30 pm CST, Monday – Friday.  
or email us at [customerservice@ghpgroupinc.com](mailto:customerservice@ghpgroupinc.com)

6440 W. Howard St.  
Niles, IL 60714-3302  
877-447-4768

Rev.4/13

## TABLE OF CONTENTS

---

Safety Information .....	3
Installation Instructions .....	6
Operation Instructions .....	10
Care and Maintenance .....	13
Electric Wiring Diagram .....	14
Troubleshooting .....	15
Warranty .....	16
Replacement Parts List .....	17

**Thank you and congratulations on your purchase of a  
GHP Group electric fireplace.**




**IMPORTANT: Read all instructions and warnings carefully before starting Installation. Failure to follow these instructions may result in a possible electric shock, injury to persons, fire hazard and will void the warranty.**

**Please read the Installation & Operating Instructions before using this appliance.**



Please read and understand this entire manual before attempting to assemble, operate or install the product. If you have any questions regarding the product, please call customer service at 1-877-447-4768, 8:30 a.m. – 4:30 p.m., CST, Monday – Friday.

1. Read all instructions before using this appliance.
2. This appliance is hot when in use. To avoid burns, do not let bare skin touch hot surfaces. If provided, use handles when moving this appliance. Keep combustible materials, such as furniture, pillows, bedding, papers, clothes and curtains at least 3 ft. (914 mm) from the front of this appliance.
3.  **CAUTION: Extreme caution is necessary when any heater is used by or near children or invalids and whenever the heater is left operating unattended.**
4. If possible always unplug this appliance when not in use.
5. Do not operate any heater with a damaged cord or plug or after the appliance malfunctions, has been dropped or damaged in any manner.
6. Any repairs to this appliance should be carried out by a qualified service person.
7. Under no circumstances should this appliance be modified. Parts having to be removed for servicing must be replaced prior to operating this appliance again.
8. Do not use outdoors.
9. This heater is not intended for use in bathrooms, laundry areas and similar indoor locations. Never place this appliance where it may fall into a bathtub or other water container.
10. Do not run cord under carpeting. Do not cover cord with throw rugs, runners or the like. Arrange cord away from traffic areas and where it will not be tripped over.
11. To disconnect this appliance, turn controls to the off position, then remove plug from outlet.
12. Connect to properly grounded outlets only.
13. This appliance, when installed must be electrically grounded in accordance with local codes, with the current CSA C22.1 Canadian Electrical codes or for USA installations, follow local codes and the National Electric Code, ANSI/NFPA No. 70.
14. Do not insert or allow foreign objects to enter any ventilation or exhaust opening as this may cause an electric shock, fire or damage the appliance.
15. To prevent possible fire, do not block air intakes or exhaust in any manner. Do not use on soft surfaces, like a bed, where openings may become blocked.
16. This appliance has hot and arcing or sparking parts inside. Do not use it in areas where gasoline, paint or flammable liquids are used or stored. This appliance should not be used as a drying rack for clothing, nor should Christmas stockings or decorations be hung on or near it.
17. Use this appliance only as described in this manual. Any other use not recommended by the manufacturer may cause fire, electric shock or injury to persons.
18. Avoid the use of an extension cord because of the risk of overheating the cord and the risk of fire. Extension cords are for temporary use only. If an extension cord must be used, it must be UL/CSA certified, rated at 15A (1875W), 125V maximum with 14 AWG minimum and constructed of two current carrying conductors with ground. A heavy duty extension cord with the shortest length possible for the connection is recommended and must not be longer than 50 ft. (15.2 m). Do not coil or cover the extension cord.

**! DANGER**



**Electrical Connection**

A 15-Amp, 120-Volt, 60 Hz circuit with a properly grounded outlet is required. Preferably, the fireplace will be on a dedicated circuit as other appliances on the same circuit may cause the circuit breaker to trip or the fuse to blow when the heater is in operation. The unit comes standard with a 6 ft. (1.8 m) long three wire cord, exiting the right side of the fireplace. Plan the installation to avoid the use of an extension cord. Extension cords are for temporary use only. If an extension cord must be used, it must be UL/CSA certified, rated at 15A (1,875W), 125V maximum with 14 AWG minimum and constructed of two current carrying conductors with ground. A heavy duty extension cord with the shortest length possible for the connection is recommended and must not be longer than 50 ft. (15.2 m). Do not coil or cover the extension cord.



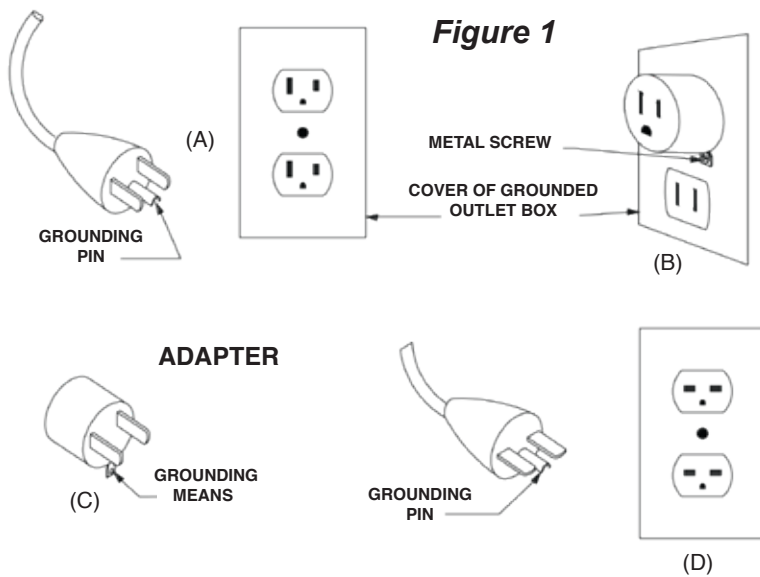
Electrical outlet wiring must comply with local building codes and other applicable regulations to reduce the risk of fire, electrical shock and injury to persons.



Do not use this fireplace if any part of it has been under water. Immediately call a qualified service technician to inspect the fireplace and replace any part of the electrical system which has been under water.

**Grounding Instructions**

This heater is for use on 120 volts. The cord has a plug as shown at (A) in Figure 1. An adapter as shown at (C) is available for connecting three-blade grounding-type plugs to two-slot receptacles. The green grounding lug extending from the adapter must be connected to a permanent ground such as a properly grounded outlet box. The adapter should not be used if a three-slot grounded receptacle is available.



**NOTE: Adapters are NOT for use in Canada.**

## SAFETY INFORMATION

---

### Remote Control


This equipment has been tested and found to comply with the limits for a Class B digital device, pursuant to Part 15 of the FCC Rules and Industry Canada ICES-003. These limits are designed to provide reasonable protection against harmful interference in a residential installation. This equipment generates, uses, and can radiate radio frequency energy and, if not installed and used in accordance with the instruction manual, might cause harmful interference to radio communications.

However, there is no guarantee that interference will not occur in a particular installation. If this equipment does cause harmful interference to radio or television reception, which can be determined by turning the equipment off and on, the user is encouraged to try to correct the interference by one or more of the following measures:

- Reorient or relocate the receiving antenna.
- Increase the separation between the equipment and receiver.
- Connect the equipment into an outlet on a circuit different from that to which the receiver is connected.
- Consult the dealer or an experienced radio/TV technician for help.

**The remote control requires 1 Lithium Coin Cell Battery (size CR2025), which is included.**

DO NOT mix old and new batteries.

-  DO NOT use rechargeable silver oxide cell batteries with remote control unit.
- DO NOT mix alkaline, standard (Carbon-Zinc), or rechargeable (Nickel-Cadmium) batteries.
- DO NOT dispose of batteries in fire. Improper disposal may cause batteries to leak or explode.

## WARNING



### **ELECTRICAL, PLUMBING OR GAS LINES MAY BE IN WALL.**

Before cutting, drilling or hammering verify their location. If needed, contact your electrician, plumber or service person.

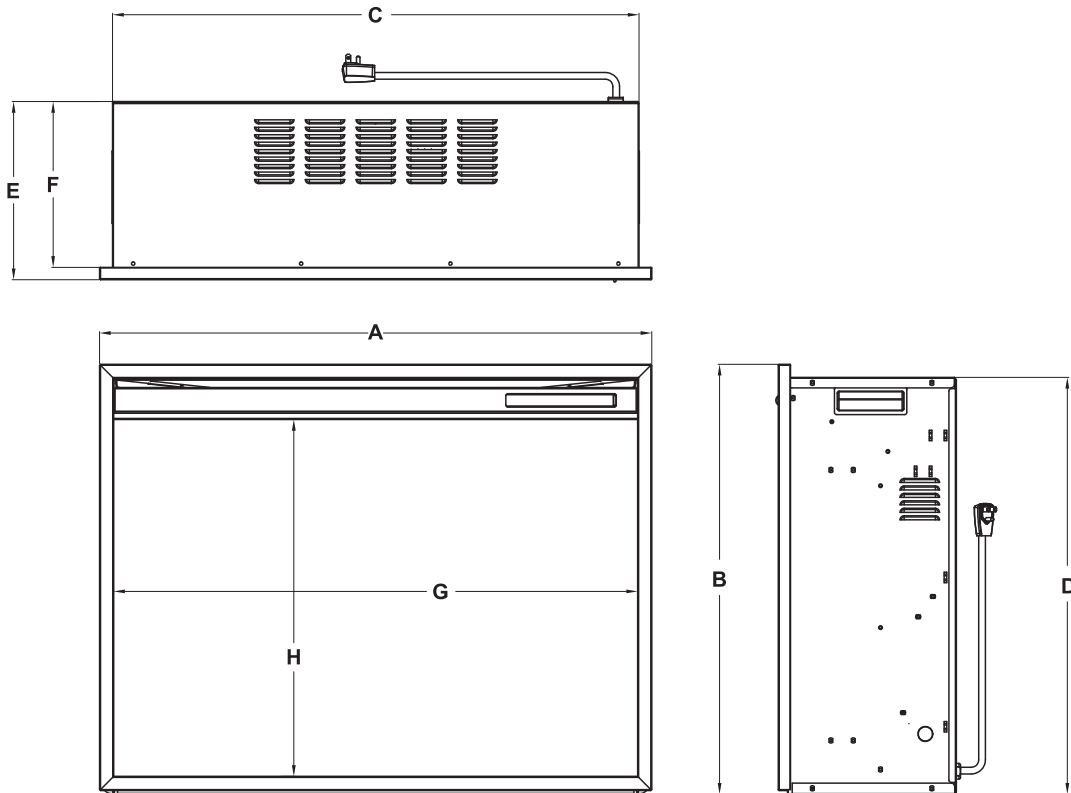
## CAUTION

### **PRODUCT DAMAGE MAY OCCUR.**

Never attempt to disassemble or alter the product in any way not instructed by this manual.

# INSTALLATION INSTRUCTIONS

## Fireplace Dimensions



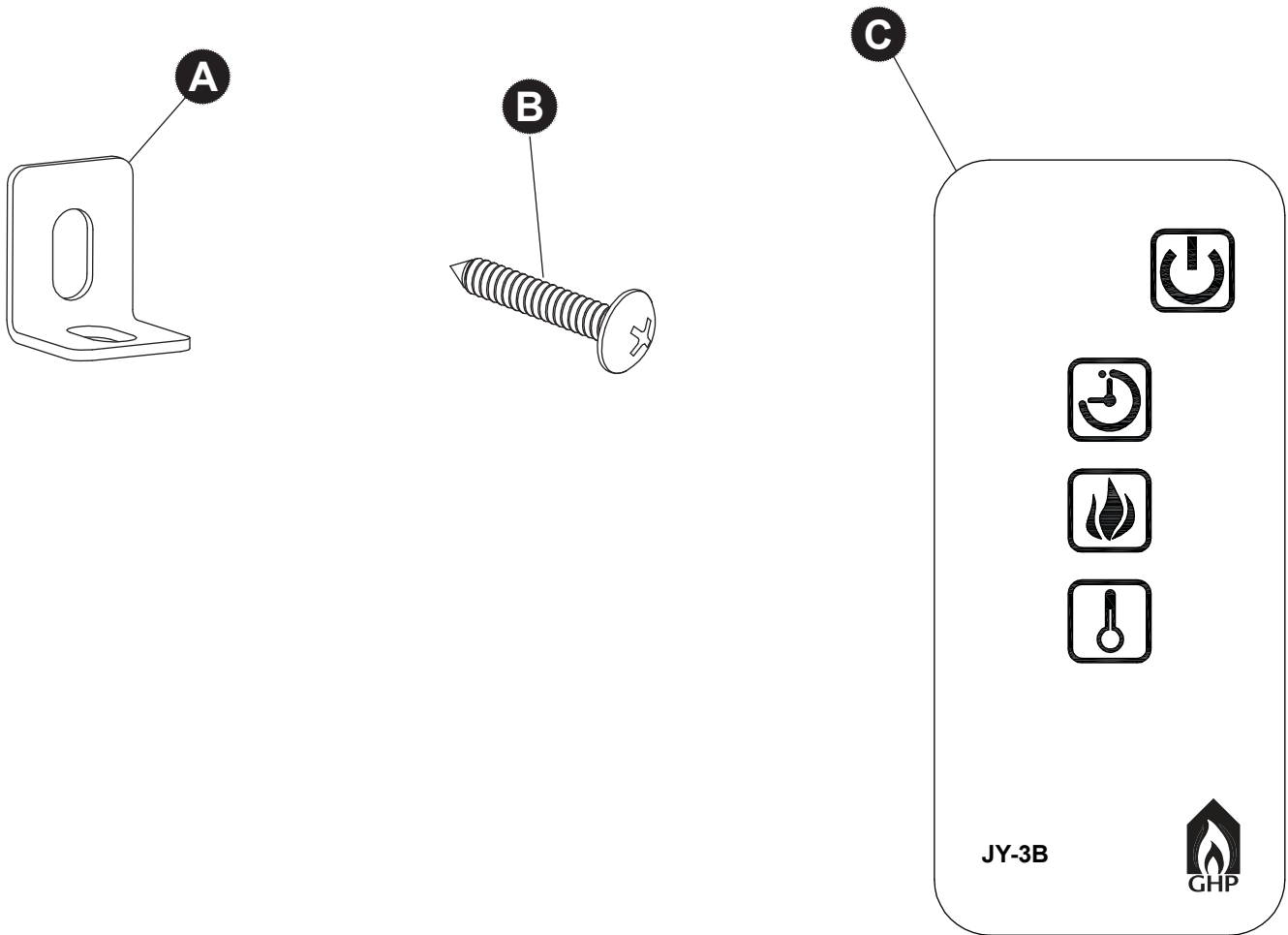
Ref.	23-800-001 / GLF-2308 / GEF23TRG18	28-800-001 / GLF-2808 / GEF28TRG18
A	24-1/4" (616 mm)	29-1/8" (740 mm)
B	20-1/4" (514 mm)	22-11/16" (576 mm)
C	22-7/8" (581 mm)	27-3/4" (705 mm)
D	19-9/16" (496.5 mm)	22" (558.5 mm)
E	9-13/32" (239 mm)	9-13/32" (239 mm)
F	8-3/4" (222.5 mm)	8-3/4" (222.5 mm)
G	22-3/4" (578 mm)	27-5/8" (702 mm)
H	16-3/8" (416 mm)	19" (483 mm)

Technical Specifications	
VOLTAGE	120 V AC
FREQUENCY	60Hz
MAX AMPS	12A
HEATER RATING	1350W

# INSTALLATION INSTRUCTIONS

---

## Package Contents



PART	DESCRIPTION	QUANTITY
A	Mounting Bracket Kit	2
B	Screw (ST4)	4
C	Infrared Remote Control	1

## INSTALLATION INSTRUCTIONS

---

### The Fireplace should be located in an area:

- Out of direct sunlight
- Not susceptible to moisture
- Away from uninsulated outside wall
- At least 3 ft. (.9 m) from drapery, furniture and other combustibles

Clearance to Combustibles	
Sides	2-27/64 in. (61.5 mm)
Floor	0 in. (0 mm)
Top	2 in. (51 mm)
Front	36 in. (914 mm)
Rear	25/32 in. (20 mm)
Wooden Facing [up to 5/8 in. (16 mm) thick]	5/16 in. (8 mm)

### PREPARATION

Before beginning assembly of product, make sure all parts are present. Compare parts with package contents list and hardware contents. If any part is missing or damaged, do not attempt to assemble the product. Contact customer service for replacement parts.



**Estimated Assembly Time: 15 minutes**

Phillips Screwdriver (not included)

Open the unit and check carefully for visible damage. If you have any problems with installation, operation, missing parts, or damage, please call 877-447-4768 for service.

**DO NOT dispose of packaging until you are satisfied with your fireplace.**

**DO NOT return unit to store before calling 877-447-4768 for service.**



## INSTALLATION INSTRUCTIONS

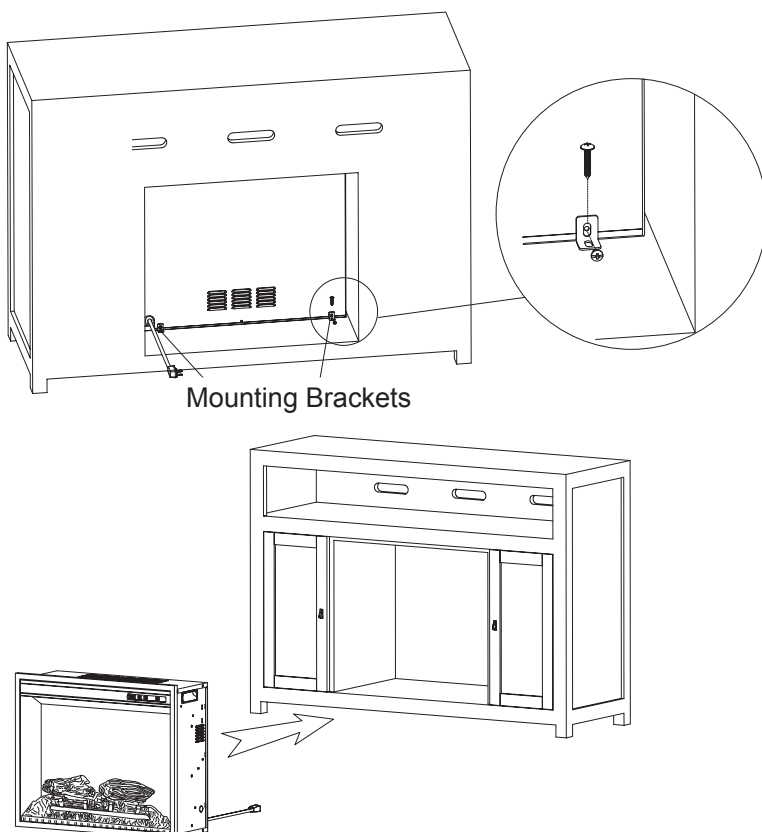
1. Place the assembled mantel near a 15-amp, 120-volt grounded electric outlet. Read all instructions before using this appliance.
2. Place the insert directly in front of the mantel opening.
3. Carefully lift the insert through the center opening in the front of the fireplace. The bottom of the insert has two foam rubber strips to prevent scratching of the hearth base. Slide the insert back through the opening until the metal trim makes contact with the front of the mantel.
4. Install the mounting brackets provided with the insert in the pre-drilled holes on the bottom of the insert (see Figure 2).
5. Carefully position mantel with installed fireplace against wall.
6. Plug the power cord into the 15-amp, 120-volt outlet. Use an extension cord rated for a minimum of 1,875 watts if necessary.

**NOTE:** This unit comes equipped with a safety switch on the back panel which disables the heater (See Figure 3).

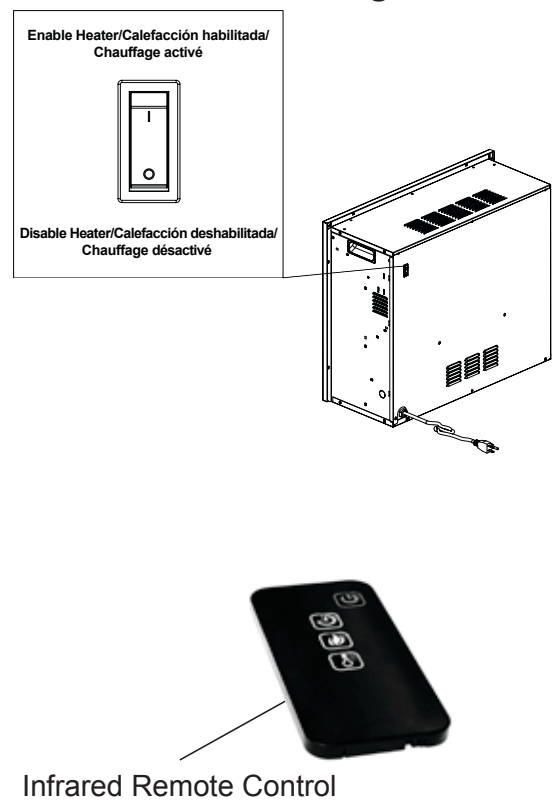
To enable the heater, please ensure the switch is in the “On” mode. The heater will function using the remote control or control panel on the front of the unit.

**CAUTION:** Make sure that the unit is installed so that the power cord is not compressed against or caught on the unit or the mantel and that it has an unobstructed path to the grounded outlet.

**Figure 2**



**Figure 3**



## OPERATING INSTRUCTION

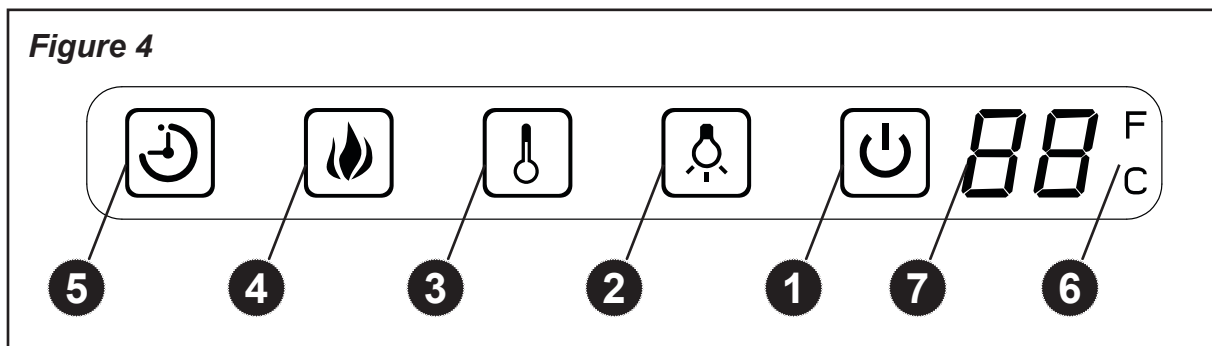
---

The fireplace control functions can be accessed in two (2) ways:

- Using the touchpad control panel, located in the upper right-hand corner of the fireplace behind the sliding control panel cover.
- Using the multifunction remote control unit.

The fireplace features conveniently separate controls for flame effect and for heater control. This allows you to operate the unit in two (2) different modes:

- **As a full-featured fireplace** - both flame effect and heater are on. This mode allows you to enjoy the look of the fire along with the heat output of a heater.
- **As a visual effect** - only the flame effect is on, the heater is off. We recommend this mode for warm weather application, when you want the ambiance of a fire, without any heat output.



- 1 Main Power Button:**  
This button supplies power to all the functions of the fireplace. The Main Power button must be in the **ON** position, either from the remote or on the touch pad for the functions to work.
- 2 Down Light Button: (MODEL 28" only)**  
This button controls the interior brightness. Turning the down light button on illuminates the interior of the firebox.
- 3 Heater Control Button:**  
This button controls the heater **ON/OFF** and 11 temperature modes from 68°F (20°C) to 88°F (31°C). When the heater is first turned on, it will come on at the lowest room temperature setting 68°F (20°C). Each time the Heater Control button is pressed, the temperature set point increases 2°F (1°C), allowing you to adjust the ambient temperature, up to 88°F (31°C). The fireplace will remember the last heat setting, and in later use, the heater will start at that setting, unless power to the unit has been interrupted.
- 4 Flame Control button:**  
This button controls the brightness of the flame effect with settings at High, Medium and Low. When the fireplace is first turned on, the flame will come on at the highest setting. The fireplace will remember the last flame setting used and in later use the flame brightness will start at that setting, unless power to the unit has been interrupted. Each time the Flame button is pressed, the flame brightness decreases. The only way to turn off the flame effect completely is to turn off the Main Power button.

## OPERATING INSTRUCTION

### 5 Timer Button:

This button controls the timer **ON/OFF** and 10-time setting from 30 minutes to 9 hours. When the Timer is first turned on, it will come on at the shortest time setting (30 minutes). Each time the Timer button is pressed, the time increases 1 hour, up to the longest setting (9 hours). Once the set time expires, all fireplace functions will be automatically turned off.

### 6 Fahrenheit/Celsius Display:

This button displays F (Fahrenheit) or C (Celsius) depending on how the temperature mode is set. When the fireplace is first turned on, the Fahrenheit (F) temperature will be displayed. To switch from Fahrenheit to Celsius, or vice-versa, when HEATER is ON, hold HEATER CONTROL button for 10 seconds. The fireplace will remember the last temperature mode setting, and in later use, the display will start at that setting, unless power to the unit has been interrupted.

### 7 Temperature/Timer Display

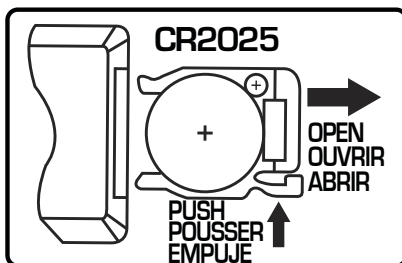
This LED display shows the set point for the temperature and timer functions. When either of these functions is activated, the display reflects the set point for five seconds and then fades to black. Any change in the set point of the temperature or timer will reactivate the display, which again fades after five seconds.

The infrared remote control relies on a line of sight and must be pointed at the flame/screen of the fireplace to work. The remote control unit has the controls required to turn **ON/OFF** both the main power and the heater. If you prefer to use the touchpad control on the fireplace unit itself, open the control panel sliding cover to access the touchpad buttons. The layout of the buttons on touchpads and remote control unit can be seen in Figures 4 and 6, respectively.

1. Plug your fireplace into a 15-amp, 120-volt power outlet.
2. Turn the power on. Flame will show on the back screen of the fireplace.
3. Remove plastic tab from inside battery compartment to activate remote control.
4. Point the remote control directly at the fireplace flame/screen and use the buttons to operate the fireplace.

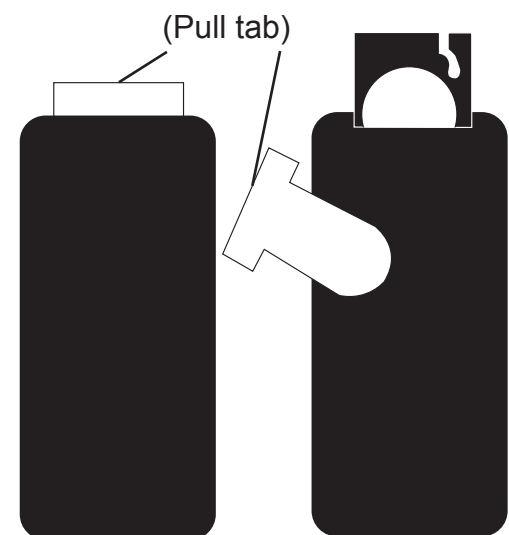
### Battery Replacement Procedure: (Size CR2025)

Battery replacement instruction  
Instructions de remplacement des piles  
Instrucción de reemplazo de la batería



**Figure 5**

The plastic tab inside the battery compartment **MUST** be removed before remote control will operate.



## OPERATING INSTRUCTION

---

- 1 Main Power Button:**

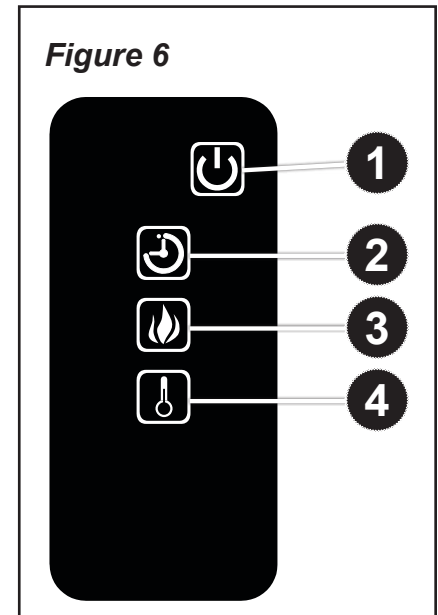
This button supplies power to all the functions of the fireplace. The main power button must be in the **ON** position, either from the remote or on the touch pad for the functions to work.
- 2 Timer Button:**

This button controls the timer **ON/OFF** and 10-time setting from 30 minutes to 9 hours. When the Timer is first turned on, it will come on at the shortest time setting (30 minutes). Each time the Timer button is pressed, the time increases 1 hour, up to the longest setting (9 hours). Once the set time expires, all fireplace functions will be automatically turned off.
- 3 Flame Control button:**

This button controls the brightness of the flame effect with settings at High, Medium and Low. When the fireplace is first turned on, the flame will come on at the highest setting. The fireplace will remember the last flame setting used and in later use the flame brightness will start at that setting, unless power to the unit has been interrupted. Each time the Flame button is pressed, the flame brightness decreases. The only way to turn off the flame effect completely is to turn off the Main Power button.
- 4 Heater Control Button:**

This button controls the heater **ON/OFF** and 11 temperature modes from 68°F (20°C) to 88°F (31°C). When the heater is first turned on, it will come on at the lowest room temperature setting 68°F (20°C). Each time the Heater Control button is pressed, the temperature set point increases 2°F (1°C), allowing you to adjust the ambient temperature, up to 88°F (31°C). The fireplace will remember the last heat setting, and in later use, the heater will start at that setting, unless power to the unit has been interrupted.

**NOTE:** To switch between Fahrenheit/Celsius modes see control panel Fahrenheit/Celsius display instructions.



## CARE AND MAINTENANCE

---

### **Before attempting ANY maintenance:**

1. Turn off power to the unit.
2. Unplug the power cord from outlet.
3. Let fireplace cool if it has been operating.

### **Glass Information:**

1. Under no circumstances should this product be operated with broken glass.
2. Do not strike or slam the glass.
3. Do not use abrasive cleaners to clean the glass.
4. This product uses tempered glass. Replacement of the glass supplied by the manufacturer should be done by a qualified service person.

### **Maintenance of Motors:**

**Always disconnect the appliance from the main power supply and allow it to cool before any servicing operation.**

The motors used on the fan heater and flame blower are pre-lubricated for extended bearing life and require no further lubrication. However, periodic cleaning/vacuuming of the appliance around the air intake and exhaust, as well as the fan heater is recommended. For heavy or continuous use, periodic cleaning must be done more frequently. If the heater blows alternating cold and warm air, check the fan for free movement and for debris restricting air flow. If the fan does not move freely, the unit must be turned off and the fan replaced immediately in order to prevent further damage to the unit.

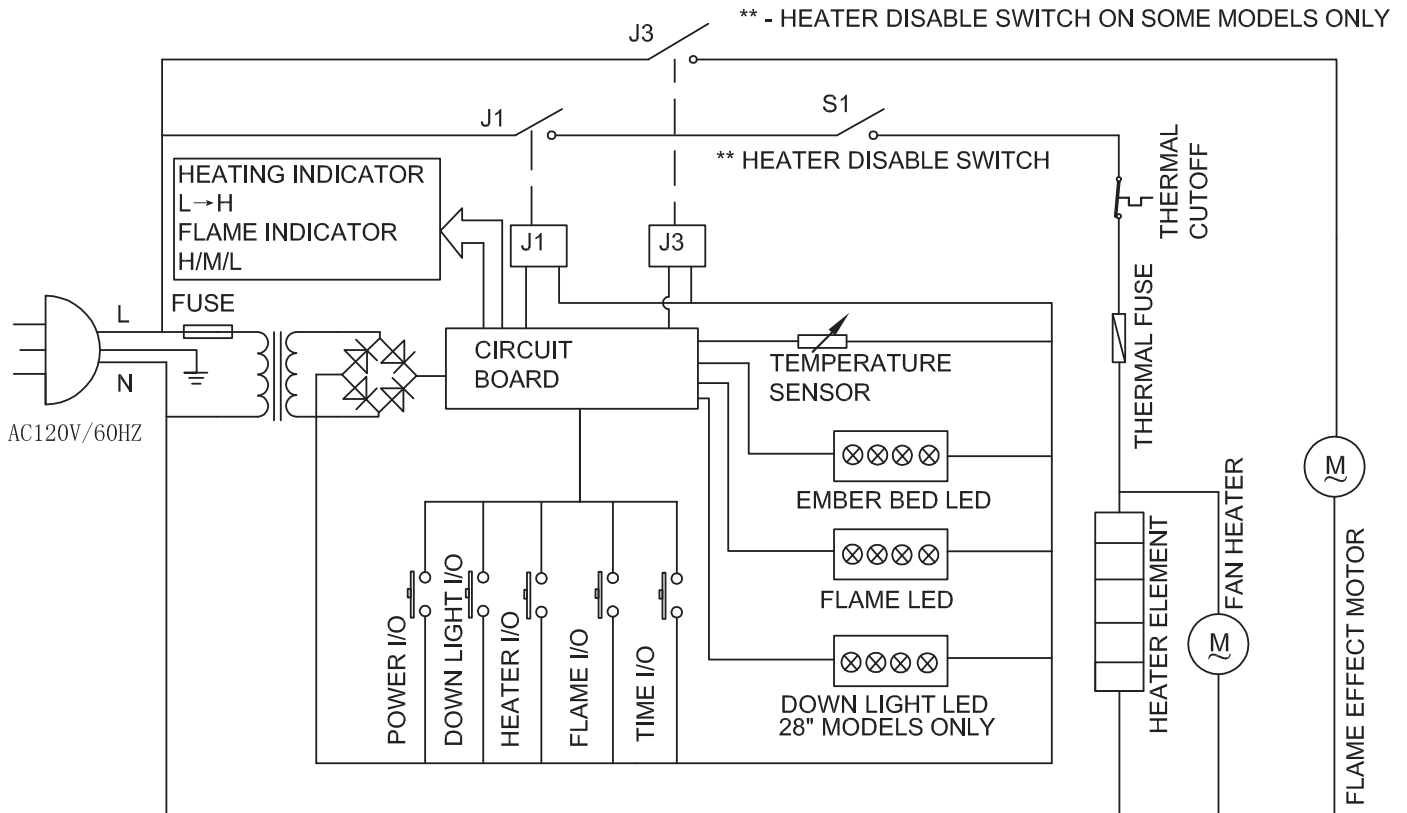
### **Cleaning:**

Cleaning of the control panel, located in the upper right-hand corner of the fireplace behind the sliding control panel cover, is to be done only using a soft cloth, slightly dampened in water (if needed, a small amount of dish soap can be added to the water) and dried using a clean, dry soft cloth. Cleaning of the screen diffuser is to be done using only water and a lint free cloth. **DO NOT** use any abrasive household cleaners as these products will damage the touch-pad controls and the diffusing screen.

# ELECTRIC WIRING DIAGRAM

Any electrical repairs or rewiring of this unit should be carried out by a licensed electrician in accordance with national and local codes.

## CIRCUIT DIAGRAM



**WARNING: Disconnect power before servicing.**

## ⚠ DANGER



**Disconnect power before servicing.**



Any electrical re-wiring of this appliance must be done by a qualified electrician. This wiring must be done in accordance with local codes and/or in Canada with the current CSA C22.1 Canadian Electrical Code, and for US installations, the National Electrical Code ANSI/NFPA NO 70.



**If repairing or replacing any electrical component or wiring, the original wire routing, color coding and securing locations must be followed.**

## TROUBLESHOOTING

If you have any questions regarding the product, please call customer service at 877-447-4768  
8:30 a.m. – 4:30 p.m. CST, Monday – Friday.

<b>Problem</b>	<b>Possible Cause</b>	<b>Corrective Action</b>
Fireplace does not operate; the ON/OFF power light on the control panel is not lit.	<ol style="list-style-type: none"> <li>1. The fireplace is not plugged in.</li> <li>2. A circuit breaker is tripped or a fuse blown.</li> <li>3. Defective ON/OFF switch.</li> <li>4. Loose wiring.</li> </ol>	<ol style="list-style-type: none"> <li>1. Make sure the fireplace is plugged in to a standard 120V outlet.</li> <li>2. Check additional appliances on the circuit; ideally the fireplace should be on a dedicated 15-amp circuit.</li> <li>3. Call customer service: (877) 447-4768.</li> <li>4. Call customer service: (877) 447-4768.</li> </ol>
Power light is ON but the back flame is not bright/visible.	<ol style="list-style-type: none"> <li>1. Incorrect operation.</li> <li>2. LED strip not functioning.</li> <li>3. Loose wiring.</li> </ol>	<ol style="list-style-type: none"> <li>1. Refer to operating instructions.</li> <li>2. Call customer service: (877) 447-4768.</li> <li>3. Call customer service: (877) 447-4768.</li> </ol>
Power light is ON but the ember bed flame is not flickering.	<ol style="list-style-type: none"> <li>1. LED strip not functioning.</li> <li>2. Loose wiring.</li> </ol>	<ol style="list-style-type: none"> <li>1. Call customer service: (877) 447-4768.</li> <li>2. Call customer service: (877) 447-4768.</li> </ol>
Excessive noise when the flame is ON but the heater OFF.	<ol style="list-style-type: none"> <li>1. Rotating flame reflector shaft rubbing against housing.</li> <li>2. Defective flame reflector shaft motor.</li> </ol>	<ol style="list-style-type: none"> <li>1. Open back of firebox and reposition flame reflector shaft. Turn off unit prior to servicing.</li> <li>2. Call customer service: (877) 447-4768.</li> </ol>
Heater is not operating.	<ol style="list-style-type: none"> <li>1. Incorrect operation.</li> <li>2. Safety switch enabled</li> <li>3. Defective heater switch.</li> <li>4. Defective heater assembly.</li> <li>5. Loose wiring.</li> <li>6. Dirty or clogged sliding door.</li> <li>7. Thermostat has been satisfied</li> </ol>	<ol style="list-style-type: none"> <li>1. Refer to operating instructions.</li> <li>2. Ensure switch is in "ON" position (see pg 9)</li> <li>3. Call customer service: (877) 447-4768.</li> <li>4. Call customer service: (877) 447-4768.</li> <li>5. Call customer service: (877) 447-4768.</li> <li>6. Unplug the unit. Clear door area of dust and debris. Wait five minutes, plug the unit in again and turn on the heater.</li> <li>7. Increase desired room temperature on the control panel/remote</li> </ol>
Excessive noise when the heater is operating.	<ol style="list-style-type: none"> <li>1. Dirty or clogged blower.</li> <li>2. Defective heater assembly.</li> </ol>	<ol style="list-style-type: none"> <li>1. Refer to Maintenance of Motors in Care and Maintenance.</li> <li>2. Call customer service: (877) 447-4768.</li> </ol>

## WARRANTY

---

The manufacturer warrants that your new electric fireplace is free from manufacturing and material defects for a period of one year from date of purchase, subject to the following conditions and limitations.

1. This electric fireplace must be installed and operated at all times in accordance with the instructions furnished with the product. Any alteration, willful abuse, accident, or misuse of the product shall nullify this warranty.
2. This warranty is non-transferrable, and is made to the original owner, provided that the purchase was made through an authorized supplier of the manufacturer.
3. This warranty is limited to the repair or replacement of part(s) found to be defective in material or workmanship, provided that such part(s) have been subjected to normal conditions of use and service, after said defect is confirmed by the manufacturer's inspection.
4. The manufacturer may, at its discretion, fully discharge all obligations with respect to this warranty by refunding the wholesale price of the defective part(s).
5. Any installation, labor, construction, transportation, or other related costs/expenses arising from defective part(s), repair, replacement, or otherwise of same, will not be covered by this warranty, nor shall the manufacturer assume responsibility for same. Further, the manufacturer will not be responsible for any incidental, indirect, or consequential damages, except as provided by law.
6. All other warranties - expressed or implied - with respect to the product, its components and accessories, or any obligations/liabilities on the part of the manufacturer are hereby expressly excluded.
7. The manufacturer neither assumes, nor authorizes any third party to assume, on its behalf, any other liabilities with respect to the sale of this product.
8. The warranties as outlined within this document do not apply to non-manufacturer accessories used in conjunction with the installation of this product.

### **This warranty is void if:**

- a) The fireplace has been operated in atmospheres contaminated by chlorine, fluorine or other damaging chemicals.
- b) The fireplace is subjected to prolonged periods of dampness or condensation.
- c) Any alteration, willful abuse, accident, or misuse of the product.

### **IF WARRANTY SERVICE IS NEEDED . . .**

- 1) Contact customer service. Make sure you have your warranty, your sales receipt, and the model/serial number of your product.
- 2) DO NOT ATTEMPT TO DO ANY SERVICE WORK YOURSELF.



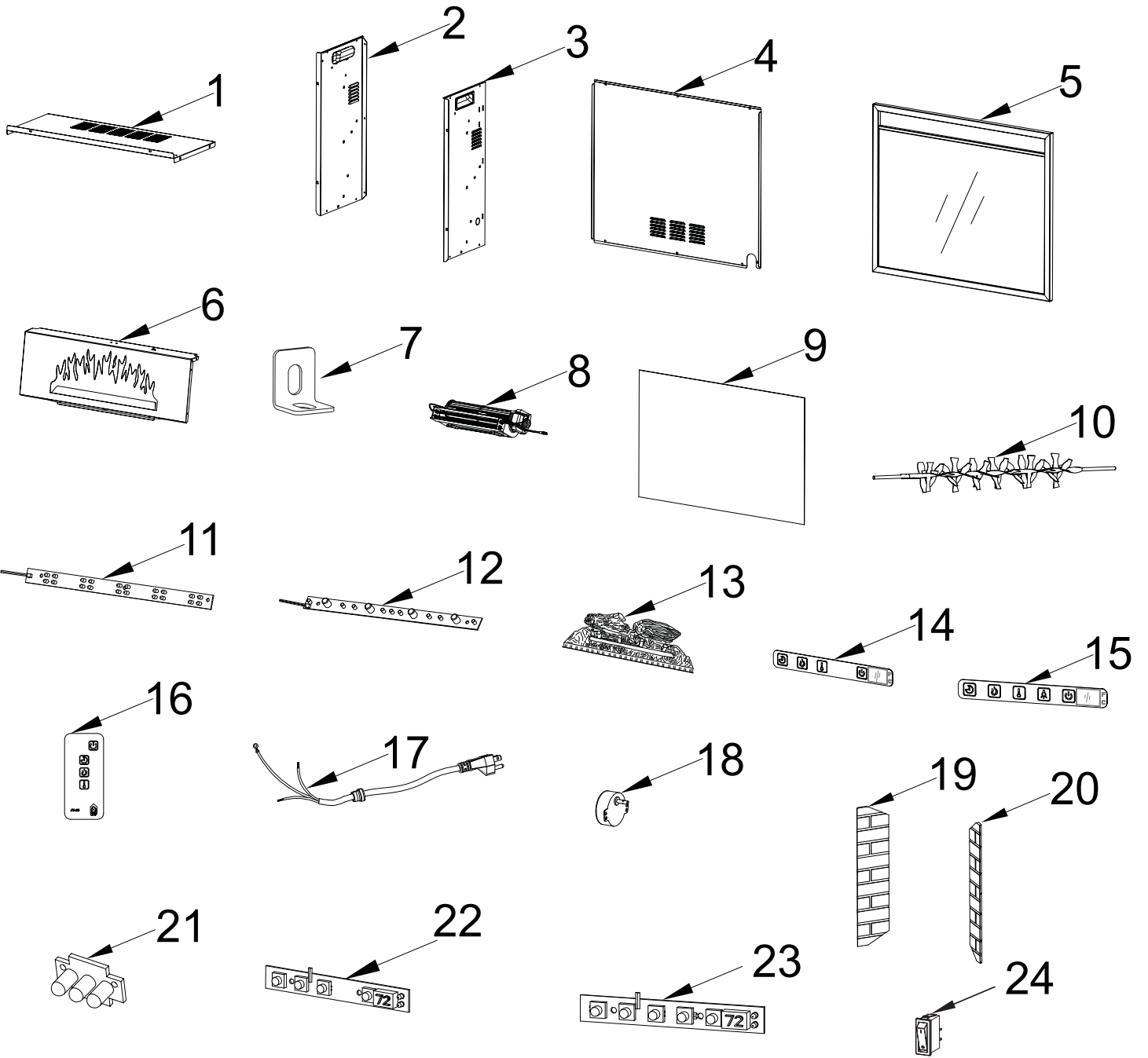
**GHP Group, Inc.**  
6440 W. Howard St.  
Niles, IL 60714-3302  
877-447-4768



## REPLACEMENT PARTS LIST

For replacement parts, call our customer service department at 877-447-4768,  
8:30 a.m. – 4:30 p.m. CST, Monday – Friday.

Ref.	Description	GLF-2308	28-800-001
		23-800-001 GEF23TRG18	GLF-2808 GEF28TRG18
1	Top panel	EF23350AC	EF28350AC
2	Left side panel assembly	EF23106AC	EF23106AC
3	Right side panel assembly	EF23107AC	EF28107AC
4	Back panel	EF23354AC-13	EF28354AC
5	Trim assembly	EF23108AC	EF28108AC
6	Flame panel	EF23356AC	EF28356AC
7	Mounting bracket kit	EF33405A-12	EF33405A-12
8	Heater	EF33501A	EF33501A
9	Screen	EF23372AC	EF28374AC
10	Flame reflector	EF23373AS-12	EF28377A-12
11	Ember bed-LED strip	EF28368AC	EF28368AC
12	Flame-LED	EF28369AS	EF28369AS
13	Logset	EF23371AS	EF28373
14	Control panel graphic	EF23511A-12	
15	Control panel graphic		EF33504AC-12
16	Remote control	EF33510AS-12	EF33510AS-12
17	Power cord & connector	EF33515A	EF33515A
18	B-Motor	EF33508A	EF33508A
19	Left brick side panel		EF28375AC
20	Right brick side panel		EF28381AC
21	Down light assembly		EF33109A
22	Control panel circuit board	EF23511A-12	
23	Control panel circuit board		EF33504AC-12
24	Toggle switch	EF24900014AC	



# Pleasant Hearth™



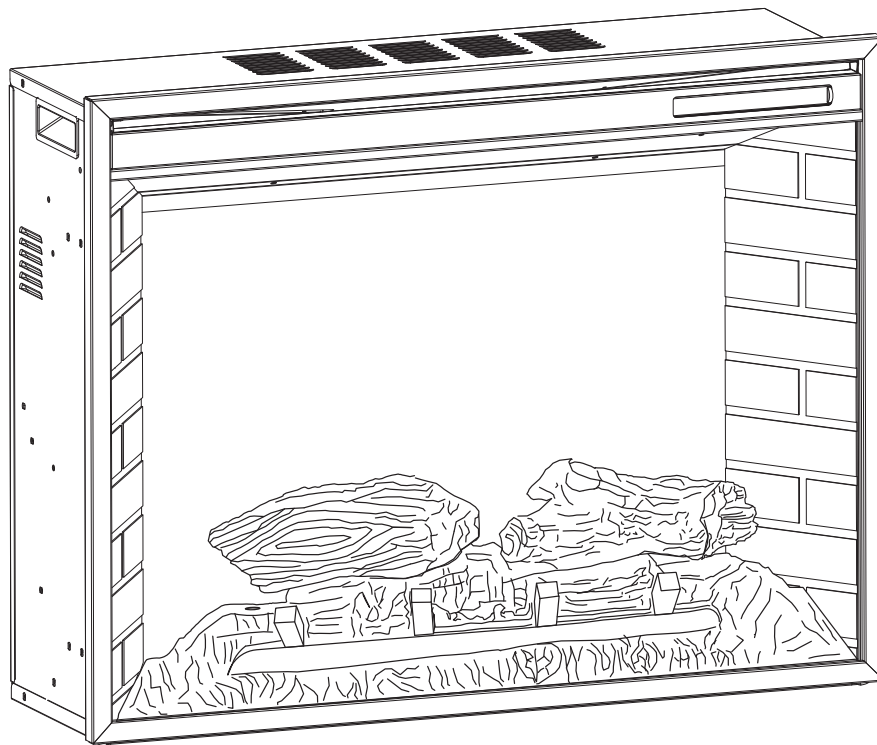
*Warming Your Home. Warming Your Heart.*

## DIRECTIVES D'INSTALLATION ET D'UTILISATION

### FOYER ÉLECTRIQUE ENCASTRABLE PLEASANT HEARTH

MODÈLE N° ##GLF-2308 / 23-800-001 / GEF23TRG18/  
28-800-001 / GLF-2808 / GEF28TRG18

### FRANÇAIS



À installer avec le  
manteau pour foyer  
Pleasant Hearth.



C US

### CONSIGNES IMPORTANTES

VEUILLEZ LIRE CE MANUEL AVANT D'INSTALLER OU D'UTILISER LE FOYER.

#### AVERTISSEMENT!

RESPECTEZ SCRUPULEUSEMENT LES DIRECTIVES DU PRÉSENT MANUEL  
POUR PRÉVENIR LES CHOCS ÉLECTRIQUES, LES INCENDIES, LES  
DOMMAGES AINSI QUE LES BLESSURES GRAVES OU MORTELLES.

REMARQUE À L'INTENTION DE L'INSTALLATEUR : Veuillez laisser ce manuel au propriétaire.

REMARQUE À L'INTENTION DU CLIENT : Veuillez conserver ce manuel pour vous  
y référer ultérieurement.

Des questions, des problèmes, des pièces manquantes? Avant de retourner  
l'article au détaillant, appelez notre service à la clientèle au 877 447 4768,  
entre 8 h 30 et 16 h 30, HNC, du lundi au vendredi, ou envoyez-nous un courriel à  
l'adresse suivante : [customerservice@ghpgroupinc.com](mailto:customerservice@ghpgroupinc.com).



6440 W. Howard St.  
Niles, IL 60714-3302  
877-447-4768

Rev. 4/13

## TABLE DE MATIÈRES

---

Consignes de sécurité .....	21
Directives d'installation .....	25
Directives d'utilisation .....	29
Entretien .....	32
Schéma de câblage.....	33
Dépannage .....	34
Garantie.....	36
Liste des pièces de rechange.....	37

**Merci et félicitations pour votre achat d'un foyer  
électrique de GHP Group.**




**IMPORTANT : Lisez attentivement toutes les directives et les avertissements avant de procéder à l'installation. Le non-respect de ces directives peut provoquer un choc électrique, des blessures et un incendie, et annule la garantie.**

**Veillez lire les directives d'installation et d'utilisation avant d'utiliser ce foyer.**



Veillez vous assurer de lire et de comprendre l'intégralité de ce manuel avant d'assembler, d'utiliser ou d'installer ce produit. Si vous avez des questions concernant ce produit, veuillez téléphoner au service à la clientèle au 1-877-447-4768, entre 8 h 30 et 16 h 30, HNC, du lundi au vendredi.

1. Lisez toutes les directives avant d'utiliser ce foyer.
2. Ce foyer est chaud lorsqu'il est en fonction. Afin d'éviter les brûlures, ne touchez pas aux surfaces chaudes. Si le foyer est muni de poignées, servez-vous des poignées pour le déplacer. Assurez-vous que les matières combustibles, tels que les meubles, les oreillers, la literie, le papier, les vêtements et les rideaux, se trouvent au moins 914 mm (3 pi) de l'avant du foyer.
3.  **MISE EN GARDE : Faites preuve d'une extrême prudence lorsqu'un radiateur est utilisé par ou à proximité des enfants ou des personnes handicapées et lorsque vous laissez le radiateur en fonction sans surveillance.**
4. Dans la mesure du possible, débranchez toujours ce foyer lorsqu'il n'est pas utilisé.
5. N'utilisez pas un radiateur muni d'un cordon ou d'une fiche endommagé, qui a déjà subi une défaillance, qui est déjà tombé ou qui a été endommagé de quelque façon que ce soit.
6. Confiez toute réparation de ce foyer à un technicien qualifié.
7. Ne modifiez jamais ce foyer. Remettez en place les pièces qui doivent être retirées pour l'entretien avant d'utiliser le foyer de nouveau.
8. N'utilisez pas ce foyer à l'extérieur.
9. Le radiateur n'est pas conçu pour être utilisé dans une salle de bains, une salle de lavage ou tout autre endroit humide semblable. Ne placez jamais ce foyer en un endroit où il pourrait tomber dans une baignoire ou un autre contenant rempli d'eau..
10. Évitez d'acheminer le cordon sous un tapis. Ne couvrez pas le cordon avec une carpe, un tapis de passage ou un autre article semblable. Placez le cordon dans un endroit peu passant et où il ne pourra pas être accroché.
11. Pour débrancher ce foyer, tournez les commandes en position d'arrêt, puis retirez la fiche de la prise.
12. Branchez le cordon uniquement à une prise correctement mise à la terre.
13. Lors de l'installation, veillez à ce que le foyer soit mis à la terre conformément aux codes locaux, à la plus récente version du Code canadien de l'électricité, CSA C22.1 ou, dans le cas des installations aux É.-U., aux codes locaux et au code national de l'électricité, ANSI/NFPA N° 70.
14. N'insérez jamais un objet, quel qu'il soit, dans les ouvertures de ventilation ou de sortie d'air du foyer afin de prévenir les dommages ainsi que les risques de choc électrique et d'incendie.
15. Afin de prévenir les risques d'incendie, ne bloquez jamais les prises d'entrée ou de sortie d'air de quelque façon que ce soit. Ne placez pas le foyer sur une surface molle, comme un lit, car les ouvertures pourraient se bloquer.



## CONSIGNES DE SÉCURITÉ

---

16. Ce foyer renferme des pièces chaudes et qui produisent des arcs électriques ou des étincelles. N'utilisez pas le foyer là où de l'essence, de la peinture ou des liquides inflammables sont utilisés ou entreposés. Ce foyer et ses environs ne doivent pas servir de support de séchage pour les vêtements ni à accrocher des bas de Noël ou des décorations.
17. N'utilisez ce foyer que pour l'usage prévu dans ce manuel. Toute autre utilisation du foyer qui n'est pas prévue par le fabricant peut provoquer un incendie, un choc électrique ou des blessures.
18. Évitez d'utiliser une rallonge car elle pourrait surchauffer et présenter des risques d'incendie. Les rallonges ne servent qu'à un usage temporaire. Si une rallonge doit être utilisée, assurez-vous qu'il s'agit d'une rallonge certifiée UL/CSA d'une intensité nominale de 15 A (1 875 watts), 125 V maximum, d'un calibre américain des fils minimal de 14 et dotée de deux conducteurs de courant et d'une mise à la terre. Nous vous recommandons d'utiliser une rallonge robuste aussi courte que possible, d'au plus 15,2 m (50 pi). N'enroulez pas la rallonge et ne la couvrez pas.

**CONSERVEZ CES DIRECTIVES**

## **! DANGER**



### **Branchement électrique**

Un circuit de 15 A, 120 V, 60 Hz correctement mis à la terre est nécessaire. Il est recommandé de réserver un circuit au foyer car d'autres appareils alimentés par le même circuit pourraient causer le déclenchement du disjoncteur ou faire griller le fusible lorsque le radiateur est en fonction. Le foyer est muni d'un cordon trifilaire de 1,8 m (6 pi) qui se trouve du côté droit du foyer. Planifiez l'installation pour éviter d'utiliser une rallonge. Les rallonges ne servent qu'à un usage temporaire. Si une rallonge doit être utilisée, assurez-vous qu'il s'agit d'une rallonge certifiée UL/CSA d'une intensité nominale de 15 A (1 875 watts), 125 V maximum, d'un calibre américain des fils minimal de 14 et dotée de deux conducteurs de courant et d'une mise à la terre. Nous vous recommandons d'utiliser une rallonge aussi courte que possible, d'au plus 15,2 m (50 pi). N'enroulez pas la rallonge et ne la couvrez pas.



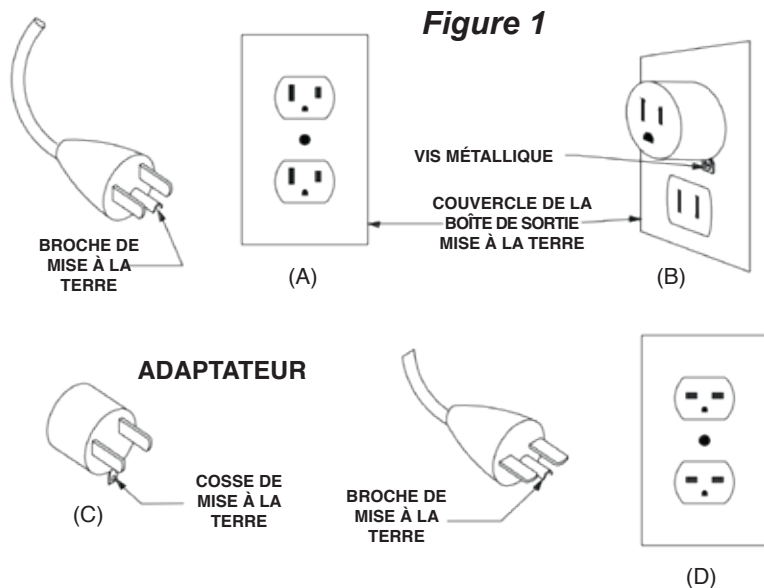
Le câblage de la prise électrique doit être conforme aux codes du bâtiment locaux et à tout autre règlement afin de réduire le risque d'incendie, de choc électrique ou de blessure.



N'utilisez pas ce foyer si une partie du foyer a été immergée. Appelez immédiatement un technicien qualifié qui inspectera le foyer et remplacera toute partie du circuit électrique qui a été immergée.

### **Directives de mise à la terre**

Ce radiateur est conçu en fonction d'un circuit de 120 volts. Le cordon est doté d'une fiche (illustration A, figure 1). Un adaptateur (illustration C, figure 1) permet de brancher les fiches à trois broches avec mise à la terre aux prises à deux fentes. La cosse de mise à la terre verte de l'adaptateur doit être branchée à une mise à la terre permanente comme une boîte de sortie correctement mise à la terre. Ne vous servez pas de l'adaptateur si une prise à trois fentes mise à la terre est disponible.



**Avertissement:**  
**N'utilisez PAS d'adaptateurs au Canada.**

## **CONSIGNES DE SÉCURITÉ**

### **Télécommande**

Cet appareil a été testé et déclaré conforme aux limites imposées aux appareils numériques de classe B, conformément à l'alinéa 15 du règlement de la FCC et à la norme NMB-003 d'Industrie Canada. Ces limites sont destinées à assurer une protection raisonnable contre les interférences nuisibles dans un environnement résidentiel. Cet appareil génère, utilise et peut émettre de l'énergie radiofréquence et, s'il n'est pas installé et utilisé conformément aux directives, risque de provoquer des interférences nuisibles aux communications radio.

Cependant, tout risque d'interférence ne peut être totalement exclu. S'il constate des interférences lors de la réception d'émissions de radio ou de télévision (il suffit pour le vérifier d'allumer et d'éteindre successivement l'appareil), l'utilisateur devra prendre les mesures nécessaires pour les éliminer. À cette fin, il devra :

- réorienter ou déplacer l'antenne réceptrice;
- accroître la distance entre l'appareil et le récepteur;
- brancher l'appareil dans une prise de courant appartenant à un autre circuit que celui du récepteur;
- obtenir de l'aide auprès du détaillant ou d'un technicien en radio et télévision expérimenté.

**Une pile bouton au lithium (format CR2025) est incluse pour la télécommande.**

N'UTILISEZ PAS de vieilles piles avec des piles neuves.

N'UTILISEZ PAS de piles rechargeables à oxyde d'argent-cadmium avec la télécommande.



N'UTILISEZ PAS de piles alcalines, ordinaires (carbone-zinc) ou rechargeables (nickel-cadmium) ensemble.

NE JETEZ PAS les piles au feu. Une mise au rebut inadéquate pourrait causer une fuite ou faire exploser les piles.

## **AVERTISSEMENT**



**LES LIGNES ÉLECTRIQUES, DE METTRE D'APLOMB OU DE GAZ PEUVENT ÊTRE DANS LE MUR.** Avant la coupure, le forage ou le martèlement vérifiez leur endroit. Si nécessaire, contactez votre électricien, plombier ou personne de service.

## **ATTENTION**

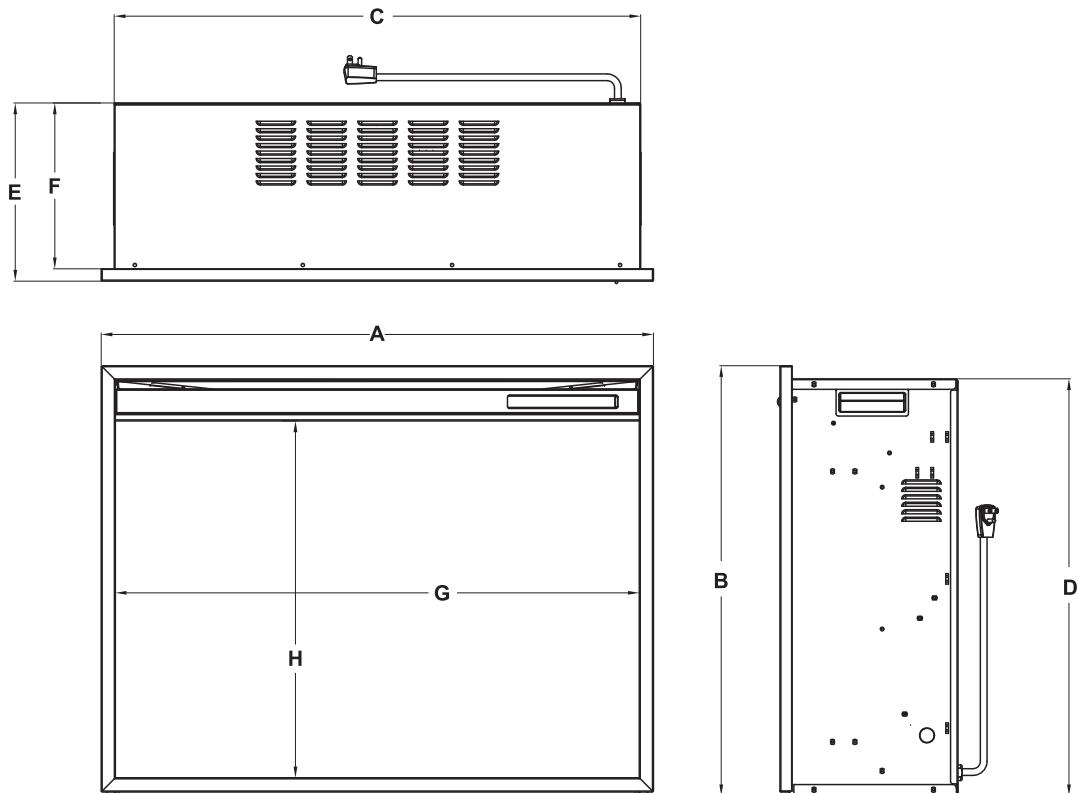
**LES DOMMAGES DE PRODUIT PEUVENT SE PRODUIRE.**

N'essayez jamais de démonter ou changer le produit de quelque façon non instruit par ce manuel.



## DIRECTIVES D'INSTALLATION

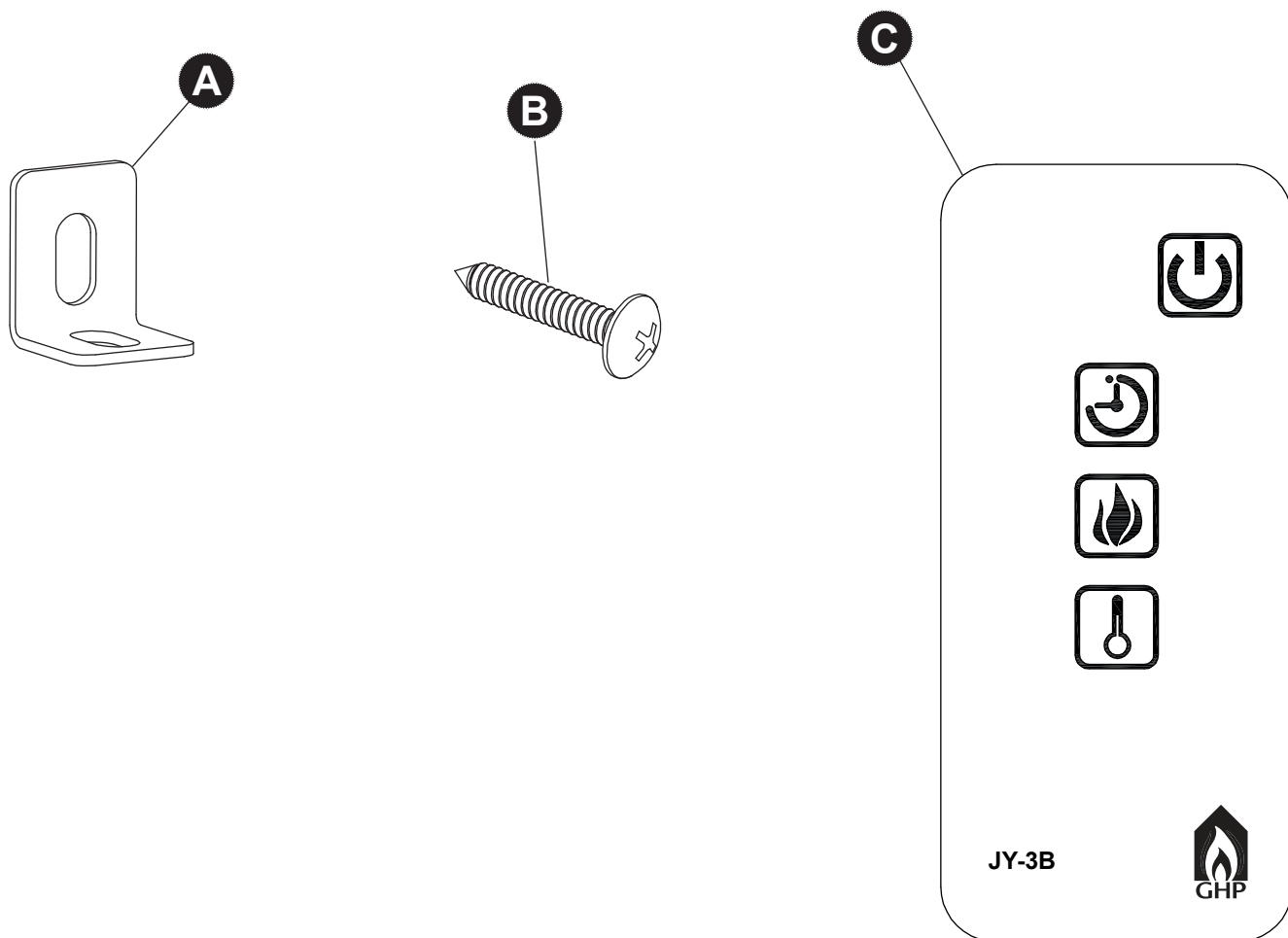
### Dimensions du foyer



Réf.	23-800-001 / GLF-2308 / GEF23TRG18	28-800-001 / GLF-2808 / GEF28TRG18
A	616 mm	740 mm
B	514 mm	576 mm
C	581 mm	705 mm
D	496.5 mm	558.5 mm
E	239 mm	239 mm
F	222.5 mm	222.5 mm
G	578 mm	702 mm
H	416 mm	483 mm

Fiche technique	
Tension	120 V AC
Fréquence	60Hz
Intensité Maximale	12A
Puissance Nominale du Radiateur	1350W

## Contenu de l'emballage



PIÈCE	DESCRIPTION	QUANTITÉ
A	Ensemble de supports de fixation	2
B	Vis (ST4)	4
C	Télécommande à infrarouge	1

## DIRECTIVES D'INSTALLATION

---

### Placez le foyer en un endroit :

- qui n'est pas exposé à la lumière directe du soleil;
- qui n'est pas exposé à l'humidité;
- à l'écart des murs extérieurs non isolés;
- à au moins 0,9 m (3 pi) des rideaux, des meubles et de toute autre matière combustible.

Dégagement minimal avec les matières combustibles	
Côtés	61.5 mm
Plancher	0 mm
Dessus	51 mm
Avant	914 mm
Arrière	20 mm
Le Revêtement en bois [augmente à 16 mm épais]	8 mm

### PRÉPARATION

Avant de commencer l'assemblage du produit, assurez-vous d'avoir toutes les pièces. Comparez les pièces avec la liste du contenu de l'emballage et de la quincaillerie ci-dessus. S'il y a des pièces manquantes ou endommagées, ne tentez pas d'assembler le produit. Communiquez avec le service à la clientèle pour obtenir des pièces de rechange.



**Temps d'assemblage approximatif: 15 minutes**

tournevis cruciforme (non inclus)

Ouvrez le foyer et vérifiez soigneusement s'il est endommagé. En cas de problèmes d'installation, d'utilisation, de pièces manquantes ou de dommages, communiquez avec le service à la clientèle au 877 447-4768.

**NE JETEZ PAS l'emballage tant que vous n'êtes pas satisfait de votre foyer.**

**NE RETOURNEZ PAS le foyer au détaillant avant de communiquer avec le service à la clientèle au numéro sans frais 877 447-4768.**

## DIRECTIVES D'INSTALLATION

1. Placez le manteau en bois Pleasant Hearth assemblé près d'une prise de 15 A, 120 V mise à la terre. Lisez toutes les directives avant d'utiliser ce foyer.
2. Placez le foyer encastrable directement à l'avant de l'ouverture du manteau.
3. Levez soigneusement le foyer encastrable dans le centre de l'ouverture à l'avant du foyer. Il y a deux caoutchoucs en bande sur la partie inférieure du foyer-insert qui protègent l'âtre des égratignures. Glissez le foyer encastrable dans l'ouverture jusqu'à ce que la garniture métallique touche à l'avant du manteau.
4. Installez les supports de montage fournis avec le foyer encastrable dans les trous préperforés sur le fond du foyer encastrable (voir la figure 2).
5. Placez soigneusement le manteau, le foyer y étant installé, contre le mur.
6. Branchez le cordon d'alimentation dans la prise de 15 A, 120 V. Utilisez une rallonge d'une puissance minimale de 1 875 watts au besoin.

**NOTE:** Il y a un interrupteur de sécurité à l'arrière de cette chaufferette qui permet de l'éteindre (voir la figure 3). Veuillez-vous assurer que l'interrupteur est à la position « **ON** » si vous voulez utiliser la chaufferette. Utilisez la télécommande ou le panneau de commande frontal pour faire fonctionner la chaufferette

**! REMARQUE :** Assurez-vous que le foyer est installé de sorte que le cordon d'alimentation ne soit pas comprimé ou pincé sous l'unité ou le manteau et que la voie soit libre vers la prise mise à la terre.

Figure 2

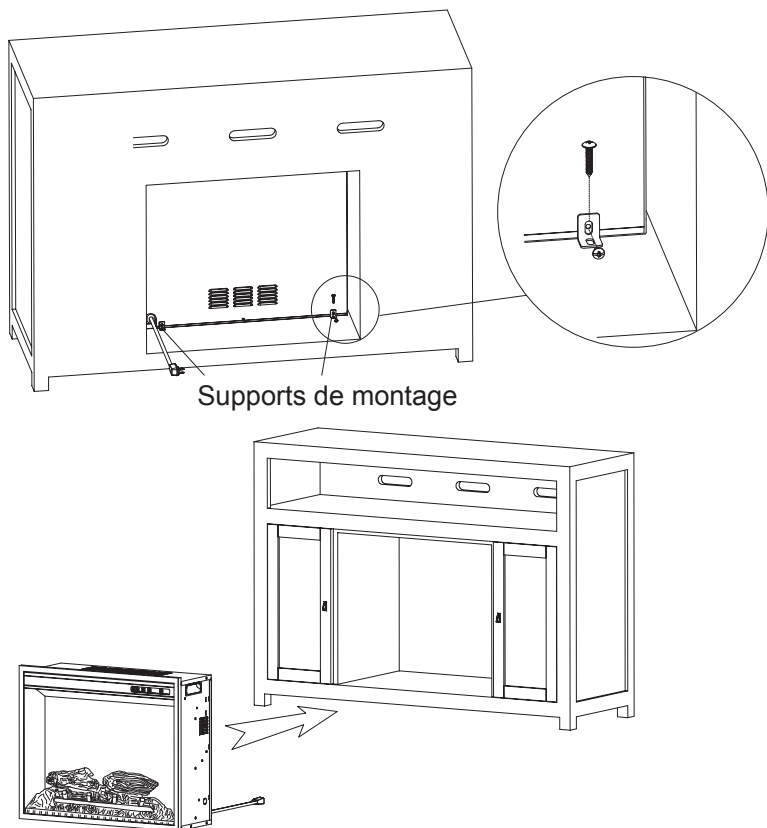
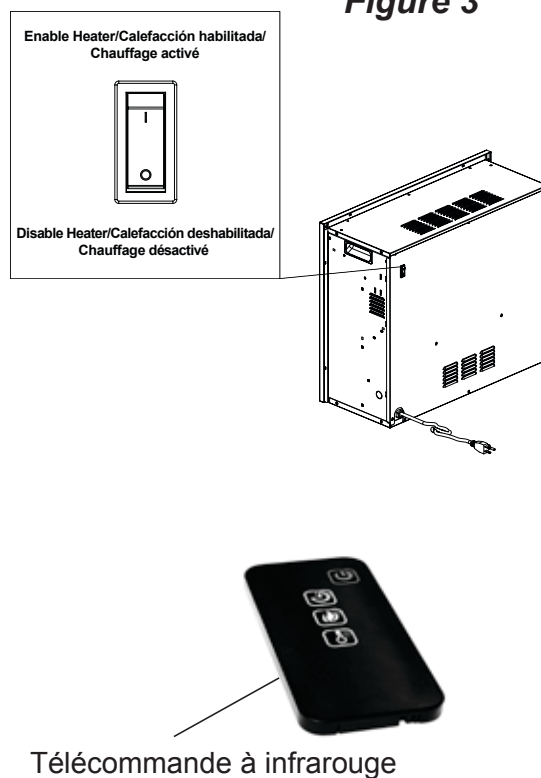


Figure 3



## DIRECTIVES D'UTILISATION

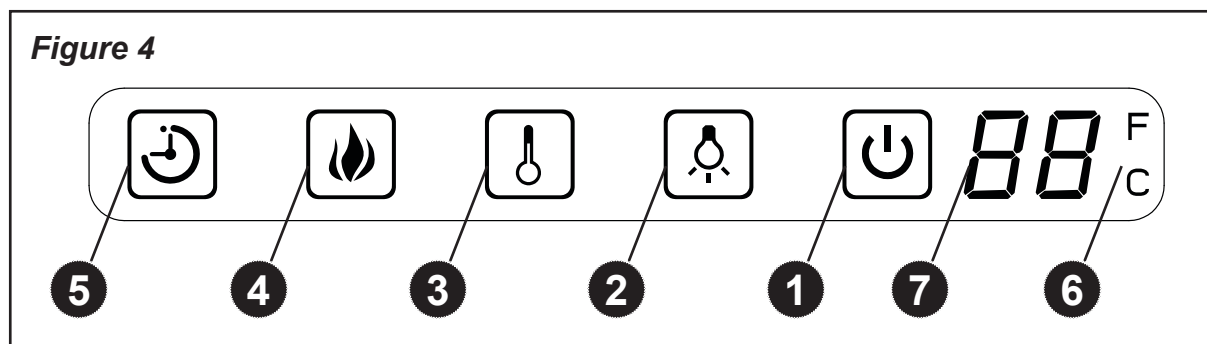
Deux (2) méthodes permettent d'accéder aux fonctions de commande du foyer :

- Au moyen du tableau de commande tactile, dans le coin supérieur droit du foyer derrière le couvercle coulissant du panneau de commande.
- au moyen de la télécommande multifonction.

Le foyer comprend de pratiques commandes distinctes pour l'effet de flamme et le radiateur.

Ces commandes permettent d'utiliser le foyer en deux (2) différents modes :

- **Comme foyer complet** – l'effet de flamme et le radiateur sont en fonction. Ce mode permet d'apprécier l'apparence d'un feu tout en bénéficiant de l'apport de chaleur d'un radiateur.
- **Comme effet visuel seulement** – seul l'effet de flamme est en fonction, le radiateur est hors fonction. Nous recommandons ce mode lorsque la température est élevée, pour apprécier l'ambiance d'un feu sans apport de chaleur.



### 1 Interrupteur général :

Ce bouton fournit l'énergie à toutes les fonctions de la cheminée. Pour que ces fonctions travaillent, le Bouton Principal d'Allumage doit être dans la position "ON" (d'allumage), soit à partir de la télécommande ou sur le pavé tactile de la cheminée.

### 2 Bouton du luminaire à éclairage direct: (MODÈLE de 71,12 cm seulement)

Ce bouton permet de régler l'intensité de l'éclairage du foyer. Allumez le bouton d'éclairage illumine l'intérieur de la chambre de combustion.

### 3 Bouton de réglage de l'appareil de chauffage:

C'est le bouton Marche/Arrêt et le bouton qui permet de régler la température de 20°C (68°F) à 31°C (88°F) -11 réglages. L'appareil sera réglé à la plus basse température ambiante 20°C (68°F) quand on le fera fonctionner. Il y aura une augmentation de la température de 1°C (2°F) chaque fois qu'on appuiera sur le bouton de réglage de l'appareil de chauffage. Vous pourrez ainsi ajuster la température ambiante jusqu'à 31°C (88°F). Le foyer se souviendra de la dernière température sélectionnée et sera réglé à cette température lors de la prochaine utilisation, à moins que le courant ait été coupé.

### 4 Bouton de commande de flamme:

Ce bouton de commande permet de régler l'intensité lumineuse des flammes (haute, moyenne, basse). Les flammes seront à l'intensité lumineuse maximale lors de la mise en marche du foyer. Le foyer conservera son réglage de flamme en mémoire chaque fois que vous l'éteindrez, à moins d'une coupure de courant. Il est possible de diminuer l'intensité lumineuse des flammes en appuyant sur ce bouton. Seul le commutateur principal permet d'éteindre complètement les flammes artificielles.

## DIRECTIVES D'UTILISATION

### 5 Minuterie:

C'est le bouton **Marche/Arrêt** de la minuterie et de 10 réglages de 30 minutes à 9 heures. La minuterie sera réglée automatiquement à (30 minutes) à la position marche. La durée de fonctionnement augmentera de 1 heure chaque fois qu'on appuiera sur le bouton, jusqu'à un maximum de (9 heures). Toutes les fonctions du foyer seront éteintes lorsque le laps de temps sera écoulé.

### 6 Indicateur Fahrenheit/Celsius:

L'indicateur montre un F pour (Fahrenheit) ou un C pour (Celsius). L'indicateur montre un F (Fahrenheit) quand l'appareil est mis en marche. Appuyez sur le **BOUTON DE RÉGLAGE DE L'APPAREIL** pendant 10 secondes lorsque **L'APPAREIL** est en **MARCHE** pour changer entre Fahrenheit et Celsius. Le foyer se souviendra de la dernière température sélectionnée et sera réglé à cette température lors de la prochaine utilisation, à moins que le courant ait été coupé.

### 7 Affichage Température/Minuterie

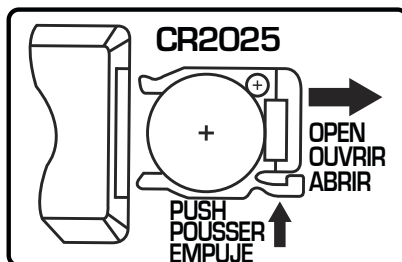
L'affichage à DEL montre la température et le réglage de la minuterie sélectionné. L'écran devient noir après cinq secondes d'affichage. De plus, l'affichage montrera une nouvelle température ou un nouveau réglage de la minuterie qu'on aura sélectionné, et ce, pendant cinq secondes.

La télécommande à infrarouge doit se trouver en visibilité directe avec la flamme ou l'écran pour fonctionner. Les commandes de la télécommande permettent d'établir et de couper l'alimentation et de mettre le radiateur en fonction et hors fonction. Si vous préférez utiliser le clavier tactile du foyer même, ouvrez le couvercle coulissant du panneau de commande pour accéder aux boutons du clavier tactile. Consultez respectivement les figures 4 et 6 pour connaître la disposition des boutons du clavier tactile et de la télécommande.

1. Branchez votre foyer dans une prise de 15 A, 120 V.
2. Mettez le foyer sous tension (consultez l'illustration pour connaître l'emplacement de l'interrupteur général). La flamme paraît sur la écran arrière du foyer.
3. Retirez la languette en plastique de l'intérieur du compartiment de la pile pour activer la télécommande.
4. Pointez la télécommande directement sur la flamme ou l'écran du foyer et servez-vous des boutons pour commander le foyer.

#### Procédure de remplacement des piles : (format CR2025)

Battery replacement instruction  
Instructions de remplacement des piles  
Instrucción de reemplazo de la batería



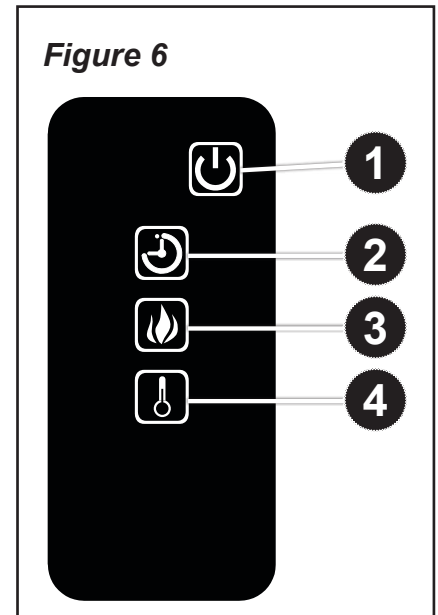
**Figure 5**

Il FAUT retirer la languette en plastique du compartiment de la pile avant que la télécommande ne fonctionne (tirez sur la languette).  
(tirez sur la languette)



- 1 Interrupteur général :**  
Ce bouton fournit l'énergie à toutes les fonctions de la cheminée. Pour que ces fonctions travaillent, le Bouton Principal d'Allumage doit être dans la position "ON" (d'allumage), soit à partir de la télécommande ou sur le pavé tactile de la cheminée.
- 2 Minuterie:**  
C'est le bouton **Marche/Arrêt** de la minuterie et de 10 réglages de 30 minutes à 9 heures. La minuterie sera réglée automatiquement à (30 minutes) à la position marche. La durée de fonctionnement augmentera de 1 heure chaque fois qu'on appuiera sur le bouton, jusqu'à un maximum de (9 heures). Toutes les fonctions du foyer seront éteintes lorsque le laps de temps sera écoulé.
- 3 Bouton de commande de flamme:**  
Ce bouton de commande permet de régler l'intensité lumineuse des flammes (haute, moyenne, basse). Les flammes seront à l'intensité lumineuse maximale lors de la mise en marche du foyer. Le foyer conservera son réglage de flamme en mémoire chaque fois que vous l'éteindrez, à moins d'une coupure de courant. Il est possible de diminuer l'intensité lumineuse des flammes en appuyant sur ce bouton. Seul le commutateur principal permet d'éteindre complètement les flammes artificielles.
- 4 Bouton de réglage de l'appareil de chauffage:**  
C'est le bouton **Marche/Arrêt** et le bouton qui permet de régler la température de 20°C (68°F) à 31°C (88°F) -11 réglages. L'appareil sera réglé à la plus basse température ambiante 20°C (68°F) quand on le fera fonctionner. Il y aura une augmentation de la température de 1°C (2°F) chaque fois qu'on appuiera sur le bouton de réglage de l'appareil de chauffage. Vous pourrez ainsi ajuster la température ambiante jusqu'à 31°C (88°F). Le foyer se souviendra de la dernière température sélectionnée et sera réglé à cette température lors de la prochaine utilisation, à moins que le courant ait été coupé.

**NOTE :** Consultez les instructions sur la commande Fahrenheit/Celcius pour choisir entre l'affichage Fahrenheit ou Celcius.



## ENTRETIEN

---

### Avant TOUT entretien :

1. Coupez l'alimentation du foyer.
2. Débranchez le cordon d'alimentation de la prise.
3. Laissez le foyer refroidir s'il était en fonction.

### Renseignements sur la vitre :

1. N'utilisez jamais ce foyer si la vitre est brisée.
2. Ne frappez pas la vitre et ne la tapez pas.
3. Ne nettoyez pas la vitre avec un produit abrasif.
4. Ce foyer est muni d'une vitre trempée. Confiez le remplacement de la vitre fournie par le fabricant à un technicien qualifié.

### Entretien des moteurs :

**Débranchez toujours le foyer de l'alimentation électrique principale et laissez le foyer refroidir avant tout entretien.**

Les moteurs utilisés sur le radiateur du ventilateur et la soufflante de flamme ont été prégraissés pour prolonger la durée des roulements et n'exigent aucun autre graissage. Il est toutefois recommandé de nettoyer le foyer et de passer l'aspirateur périodiquement autour de la prise d'air, de la sortie d'air et du radiateur du ventilateur. Nettoyez plus fréquemment le foyer en cas d'utilisation intensive ou continue. Si le radiateur propulse en alternance de l'air froid et de l'air chaud, vérifiez si le ventilateur tourne librement ou si des débris obstruent la circulation d'air. Si le ventilateur ne tourne pas librement, mettez le foyer hors fonction, puis remplacez immédiatement le ventilateur pour prévenir tout autre dommage au foyer.

### Nettoyage :

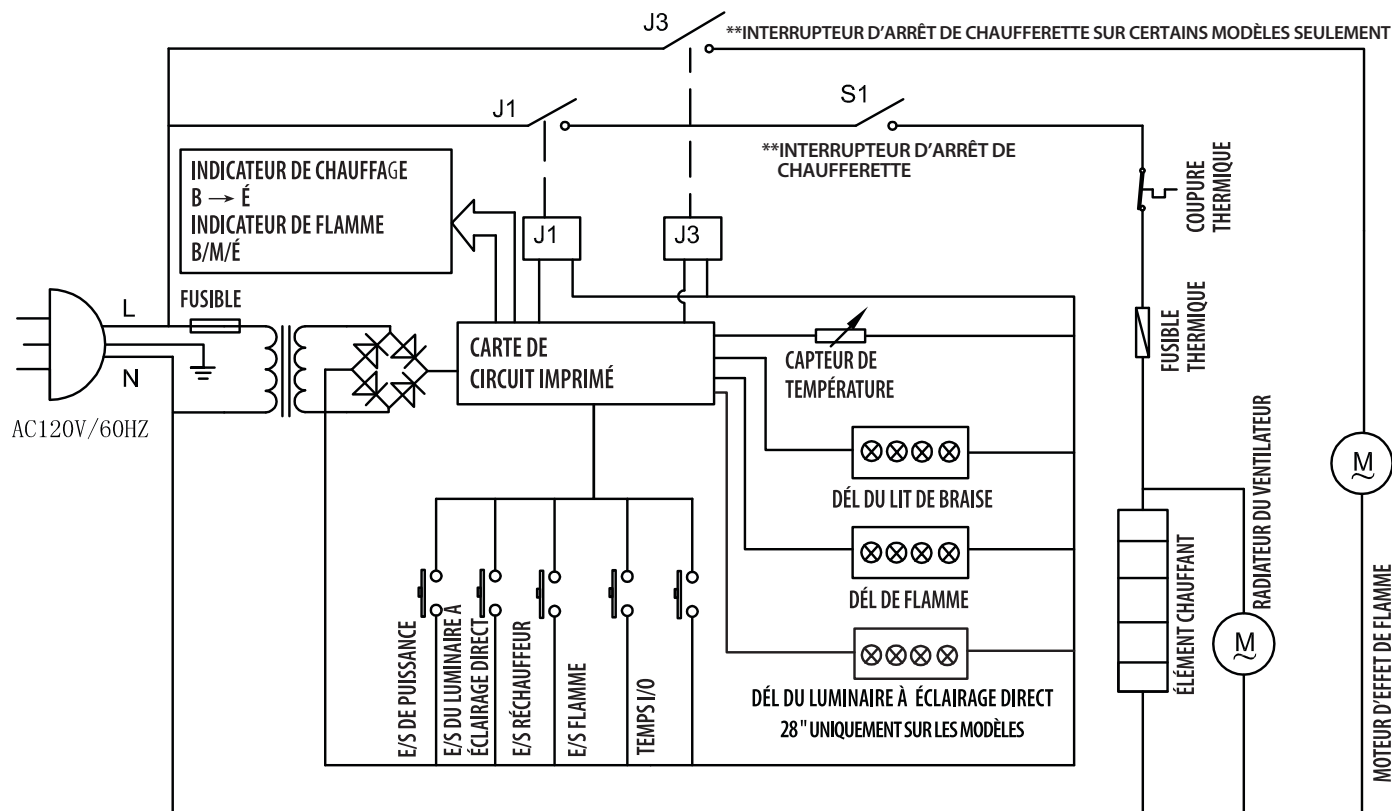
Nettoyage du panneau de commande, dans le coin supérieur droit du foyer derrière le couvercle du panneau de commande coulissant, exclusivement avec un chiffon doux légèrement humecté d'eau (au besoin, ajoutez un peu de savon à vaisselle à l'eau), puis asséchez-le au moyen d'un chiffon doux, propre et sec. Nettoyez le diffuseur de l'écran seulement avec de l'eau et un chiffon non pelucheux. **N'UTILISEZ PAS** de produits de nettoyage domestiques car ces produits endommageront les commandes du clavier tactile et l'écran de diffusion.



## SCHÉMA DE CÂBLAGE

Confiez les réparations électriques et tout nouveau câblage de ce foyer à un électricien agréé qui respectera les codes nationaux et locaux.

### SCHÉMA DE CÂBLAGE



**AVERTISSEMENT: Coupez l'alimentation avant d'effectuer l'entretien**

## ⚠ DANGER



**Coupez l'alimentation avant l'entretien**



Confiez tout nouveau câblage de ce foyer à un technicien qualifié. Veillez à ce que le câblage soit effectué conformément aux codes locaux ou, au Canada, à la plus récente version du Code canadien de l'électricité, CSA C22.1 ou, dans le cas des installations aux É.-U., au code national de l'électricité, ANSI/NFPA N° 70.



**En cas de réparation ou de remplacement d'un composant ou d'un câble électrique, respectez l'acheminement des câbles, les codes de couleur et les emplacements de fixation d'origine.**

## DÉPANNAGE

Si vous avez des questions concernant ce produit, veuillez téléphoner au service à la clientèle au 1-877-447-4768, entre 8 h 30 et 16 h 30, HNC, du lundi au vendredi.

<b>Problème</b>	<b>Cause possible</b>	<b>Mesure corrective</b>
Le foyer ne fonctionne pas, le voyant d'alimentation du tableau de commande n'est pas allumé.	<ol style="list-style-type: none"><li>1. Le foyer n'est pas branché.</li><li>2. Un fusible est déclenché ou un fusible est grillé.</li><li>3. Interrupteur général défectueux.</li><li>4. Câblage desserré.</li></ol>	<ol style="list-style-type: none"><li>1. Assurez-vous que le foyer est branché dans une prise standard de 120 V.</li><li>2. Vérifiez si d'autres appareils sont alimentés par le même circuit. Idéalement, le foyer devrait se trouver sur un circuit dédié de 15 A.</li><li>3. Communiquez avec le service à la clientèle au 877 447-4768.</li><li>4. Communiquez avec le service à la clientèle au (877) 447-4768.</li></ol>
Le voyant d'alimentation est allumé, mais la flamme arrière n'est pas lumineuse ni visible.	<ol style="list-style-type: none"><li>1. Fonctionnement incorrect.</li><li>2. La bande de DÉL ne fonctionne pas.</li><li>3. Câblage desserré.</li></ol>	<ol style="list-style-type: none"><li>1. Consultez les directives d'utilisation.</li><li>2. Communiquez avec le service à la clientèle au 877 447-4768.</li><li>3. Communiquez avec le service à la clientèle au 877 447-4768.</li></ol>
Le voyant d'alimentation est allumé, mais le lit de braise ne scintille pas.	<ol style="list-style-type: none"><li>1. La barrette de DÉL ne fonctionne pas.</li><li>2. Câblage desserré.</li></ol>	<ol style="list-style-type: none"><li>1. Communiquez avec le service à la clientèle au 877 447-4768.</li><li>2. Communiquez avec le service à la clientèle au 877 447-4768.</li></ol>
Le bruit est excessif lorsque la flamme est allumée mais que le radiateur est éteint.	<ol style="list-style-type: none"><li>1. L'arbre du réflecteur de flamme en rotation frotte contre le boîtier.</li><li>2. Le moteur de l'arbre du réflecteur de flamme est défectueux.</li></ol>	<ol style="list-style-type: none"><li>1. Ouvrez l'arrière du foyer et remplacez l'arbre du réflecteur de flamme. Mettez le foyer hors tension avant l'entretien.</li><li>2. Communiquez avec le service à la clientèle au 877 447-4768.</li></ol>

## DÉPANNAGE

Si vous avez des questions concernant ce produit, veuillez téléphoner au service à la clientèle au 1-877-447-4768, entre 8 h 30 et 16 h 30, HNC, du lundi au vendredi.

<b>Problème</b>	<b>Cause possible</b>	<b>Mesure corrective</b>
Le radiateur ne fonctionne pas.	<ol style="list-style-type: none"><li>1. Fonctionnement incorrect.</li><li>2. Permettent interrupteur de sécurité</li><li>3. Interrupteur de radiateur défectueux.</li><li>4. Ensemble de radiateur défectueux.</li><li>5. Câblage desserré.</li><li>6. La porte coulissante est sale ou colmatée.</li><li>7. Le thermostat a atteint le point de contrôle</li></ol>	<ol style="list-style-type: none"><li>1. Consultez les directives d'utilisation.</li><li>2. Assurer que l'interrupteur est à la position « ON » (voir p.28)</li><li>3. Communiquez avec le service à la clientèle au 877 447-4768.</li><li>4. Communiquez avec le service à la clientèle au 877 447-4768.</li><li>5. Communiquez avec le service à la clientèle au 877 447-4768.</li><li>6. Débranchez le foyer. Retirez la poussière et les débris obstruant la porte. Attendez cinq minutes, branchez le foyer de nouveau, puis remettez le radiateur en fonction.</li><li>7. Augmentez la température ambiante de la pièce avec le panneau de commande/ télécommande</li></ol>
Le bruit est excessif lorsque le radiateur est en fonction.	<ol style="list-style-type: none"><li>1. Soufflante sale ou colmatée.</li><li>2. Ensemble de radiateur défectueux.</li></ol>	<ol style="list-style-type: none"><li>1. Consultez la section du manuel d'utilisation qui traite de l'entretien des moteurs.</li><li>2. Communiquez avec le service à la clientèle au 877 447-4768.</li></ol>

## **GARANTIE**

---

Le fabricant garantit que votre nouveau foyer électrique est exempt de défaut de fabrication ou de matériaux durant une année à partir de la date d'achat, en tenant compte des conditions et des restrictions suivantes.

1. Ce foyer électrique doit être installé et utilisé en tout temps conformément aux directives d'installation et d'utilisation remises avec le produit. Une modification, un abus volontaire, un accident ou une mauvaise utilisation du produit invalide la présente garantie.
2. Cette garantie n'est pas transférable et n'est offerte qu'à l'acheteur d'origine, tant que l'achat a été conclu chez un fournisseur autorisé de l'entreprise.
3. Cette garantie se limite à la réparation ou au remplacement des pièces qui présentent des défauts de matériaux ou de fabrication, tant que ces pièces ont fait l'objet d'une utilisation et d'un entretien normaux, une fois un tel défaut confirmé par l'inspection effectuée par l'entreprise.
4. L'entreprise peut, à sa discrétion, s'acquitter de toute obligation en vertu de la présente garantie en remboursant le prix de gros des pièces défectueuses.
5. Tout frais d'installation, de main-d'œuvre, de fabrication, de transport, ou d'autres frais connexes découlant des pièces défectueuses, de la réparation, du remplacement ou d'une intervention du même type, ne sont pas couverts par la présente garantie et l'entreprise n'assume aucune responsabilité à cet égard. De plus, l'entreprise n'est pas responsable des dommages accessoires ou consécutifs, sauf conformément aux dispositions de la loi.
6. Toutes les autres garanties, explicites ou implicites, sur le produit, ses composants et ses accessoires ainsi que toute autre obligation ou responsabilité de l'entreprise sont expressément exclues par les présentes.
7. L'entreprise n'assume ni n'autorise un tiers à assumer, en son nom, toute autre responsabilité quant à la vente de ce produit.
8. Les garanties énoncées dans le présent document ne couvrent pas les accessoires qui ne proviennent pas de le fabricant utilisés de concert avec l'installation de ce produit.

### **Cette garantie sera annulée si :**

- a) Le foyer a été utilisé dans une atmosphère contaminée par du chlore, du fluor ou d'autres produits chimiques nocifs.
- b) Le foyer est exposé à l'humidité ou à la condensation pendant des périodes prolongées.
- c) Le produit a fait l'objet d'une modification, d'un abus volontaire ou d'une mauvaise utilisation, ou a subi un accident.

### **SERVICE AU TITRE DE LA GARANTIE . . .**

- 1) Communiquez avec le service à la clientèle de le fabricant. Assurez-vous d'avoir en mains votre garantie, votre reçu de vente ainsi que les numéros de modèle et de série de votre produit de le fabricant.
- 2) **NE TENTEZ PAS DE RÉPARER LE PRODUIT VOUS-MÊME.**

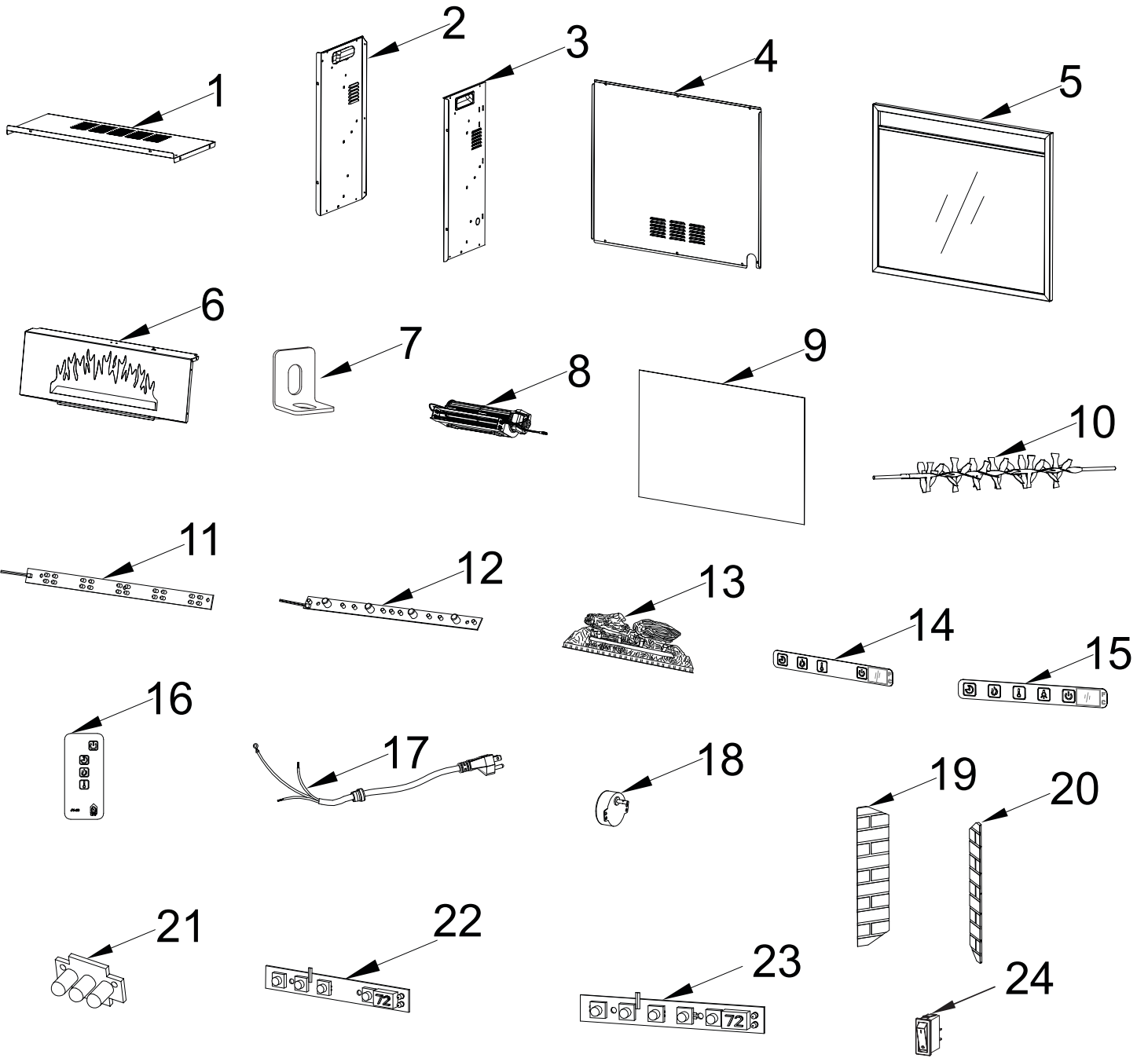


**GHP Group, Inc.**  
6440 W. Howard St.  
Niles, IL 60714-3302  
877-447-4768

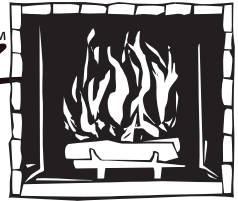
## LISTE DES PIÈCES DE RECHANGE

Pour obtenir des pièces de rechange, communiquez avec notre service à la clientèle au 1-877-447-4768, entre 8 h 30 et 16 h 30, HNC, du lundi au vendredi.

Réf.	Description	23-800-001 GLF-2308 GEF23TRG18	28-800-001 GLF-2808 GEF28TRG18
1	Panneau supérieur	EF23350AC	EF28350AC
2	Ensemble de panneau latéral gauche	EF23106AC	EF23106AC
3	Ensemble de panneau latéral droit	EF23107AC	EF28107AC
4	Panneau arrière	EF23354AC-13	EF28354AC
5	Ensemble de garniture	EF23108AC	EF28108AC
6	Panneau de flamme	EF23356AC	EF28356AC
7	Kit de supports de fixation	EF33405A-12	EF33405A-12
8	Radiateur	EF33501A	EF33501A
9	Écran	EF23372AC	EF28374AC
10	Réflecteur de flamme	EF23373AS-12	EF28377A-12
11	Bande DEL du porte-braises	EF28368AC	EF28368AC
12	Bande DEL des flammes	EF28369AS	EF28369AS
13	Ensemble de bûches	EF23371AS	EF28373
14	Graphique du panneau de commande	EF23511A-12	
15	Carte de circuits imprimés du panneau de commande		EF33504AC-12
16	Télécommande	EF33510AS-12	EF33510AS-12
17	Cordon d'alimentation et connecteur	EF33515A	EF33515A
18	B-Moteur	EF33508A	EF33508A
19	Panneau latéral gauche en brique		EF28375AC
20	Panneau latéral droit en brique		EF28381AC
21	Assemblage lumière		EF33109A
22	Carte de circuits imprimés du panneau de commande	EF23511A-12	
23	Carte de circuits imprimés du panneau de commande		EF33504AC-12
24	Interrupteur à bascule	EF24900014AC	



# Pleasant Hearth™



*Warming Your Home. Warming Your Heart.*

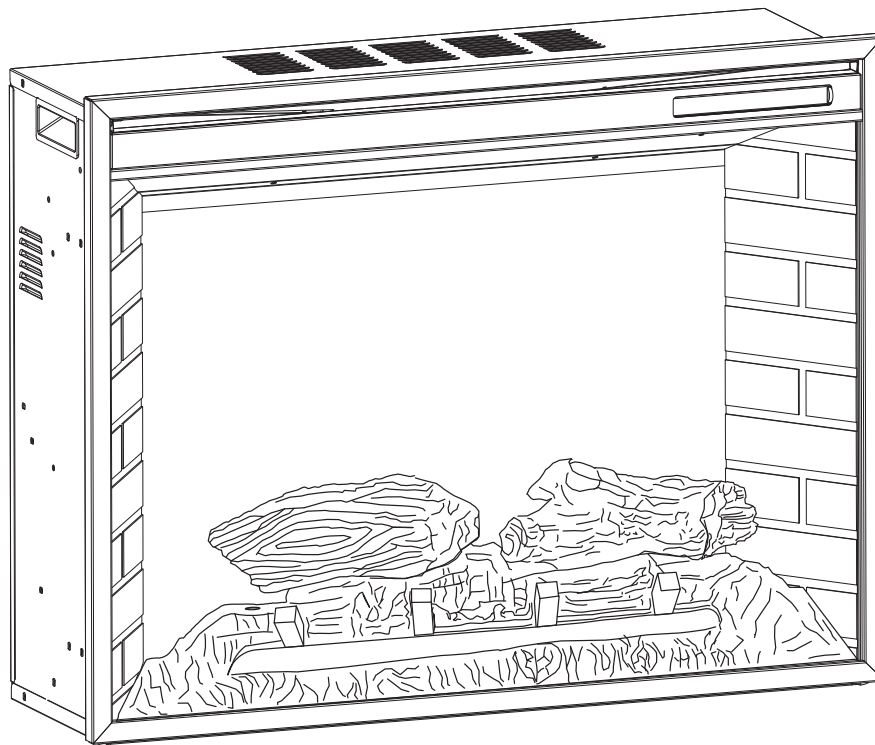
## INSTRUCCIONES DE INSTALACIÓN Y FUNCIONAMIENTO PARA EL PROPIETARIO

### ACCESORIO PARA CHIMENEA ELÉCTRICA PLEASANT HEARTH

MODELO ##GLF-2308 / 23-800-001 / GEF23TRG18/

28-800-001 / GLF-2808 / GEF28TRG18

## ESPAÑOL



Para instalación con repisa para chimenea Pleasant Hearth



### INSTRUCCIONES IMPORTANTES

LEA ESTE MANUAL ANTES DE INSTALAR Y USAR EL ELECTRODOMÉSTICO

#### ¡ADVERTENCIA!

SI NO SE SIGUE CON PRECISIÓN LA INFORMACIÓN DE ESTE MANUAL, SE PUEDE PRODUCIR UNA DESCARGA ELÉCTRICA O UN INCENDIO QUE PRODUZCA DAÑOS A LA PROPIEDAD, LESIONES PERSONALES O MUERTE.

**INSTALADOR:** Deje este manual con el electrodoméstico.  
**CONSUMIDOR:** Conserve este manual para referencia futura.



6440 W. Howard St.  
Niles, IL 60714-3302  
877-447-4768

## ÍNDICE

---

Información de seguridad .....	41
Instrucciones de instalación .....	45
Instrucciones de operación.....	49
Cuidado y mantenimiento.....	52
Diagrama del cableado eléctrico .....	53
Solución de problemas .....	54
Garantía.....	56
Lista de piezas de repuesto.....	57

**Gracias y felicitaciones por la compra de  
su chimenea eléctrica de GHP Group.**




**IMPORTANTE:** lea con atención todas las instrucciones y advertencias antes de comenzar la instalación. Si no se siguen las instrucciones, se puede provocar una descarga eléctrica, lesiones a personas, riesgo de incendio, lo que anulará la garantía.

**Lea estas instrucciones de instalación y funcionamiento  
antes de utilizar el electrodoméstico.**





Lea y comprenda completamente este manual antes de intentar ensamblar, usar o instalar el producto. Si tiene preguntas relacionadas con el producto, llame al Servicio al Cliente llamando al 877-447-4768, de 8:30 a.m. a 4:30 p.m. hora central estándar, de lunes a viernes.

1. Lea todas las instrucciones antes de usar este electrodoméstico.
2. Este electrodoméstico se calienta cuando está en funcionamiento. Para evitar quemaduras, no toque superficies calientes con la piel desnuda. Si se incluyen, utilice las manijas para trasladar el electrodoméstico. Mantenga materiales inflamables, como muebles, almohadas, ropa de cama, papeles, ropa y cortinas al menos a 914,4 mm (3 pies) de la parte delantera de este electrodoméstico.
3.  **PRECAUCIÓN: Se debe tener extrema precaución cuando niños o personas discapacitadas usen un calentador o cuando se use cerca de ellos, y siempre que el calentador se deje funcionando sin vigilancia.**
4. Si es posible, siempre desenchufe este electrodoméstico cuando no lo use.
5. No opere ningún calentador con un cable o enchufe dañados, o después de fallas del mismo, de que se haya dejado caer o dañado de cualquier forma.
6. Toda reparación de este electrodoméstico debe realizarla un técnico calificado.
7. Bajo ninguna circunstancia se debe modificar este electrodoméstico. Las piezas que se deben retirar para reparación se deben reemplazar antes de volver a hacer funcionar este electrodoméstico.
8. No lo use en exteriores.
9. Este calentador no se debe usar en el baño, lavadero y en espacios húmedos similares interiores. Nunca coloque este calentador donde se pueda caer dentro de una bañera u otro contenedor de agua.
10. No coloque el cable debajo de una alfombra. No cubra el cable con alfombras, tapetes o similares. Coloque el cable lejos de zonas de tránsito en donde nadie se pueda tropezar y caer.
11. Para desconectar este electrodoméstico, gire los controles a la posición de apagado y luego retire el enchufe del tomacorriente.
12. Conecte únicamente a un tomacorriente con la debida puesta a tierra.
13. Cuando está instalado, este electrodoméstico se debe poner a tierra según los códigos locales, según los Códigos de Electricidad de Canadá CSA C22.1 o, para instalaciones en EE.UU., siga los códigos locales y el código nacional de electricidad, ANSI/NFPA No. 70.
14. No introduzca objetos extraños ni permita que entren en las aberturas de escape o ventilación, ya que pueden provocar descargas eléctricas, incendios o daños en el electrodoméstico.
15. Para evitar incendios, no bloquee las entradas ni salidas de aire de ninguna manera. No use sobre superficies blandas, como una cama, donde las aberturas se puedan bloquear.
16. Este electrodoméstico tiene en su interior piezas calientes y piezas que forman arcos eléctricos o que echan chispas. No lo use en áreas donde se use o almacene gasolina, pintura o líquidos inflamables. Este electrodoméstico no se debe usar como una rejilla para secar ropa, ni tampoco se deben colgar calcetas navideñas o decoraciones en el electrodoméstico o cerca de éste.



## INFORMACIÓN DE SEGURIDAD

---

17. Utilice este electrodoméstico sólo como se describe en este manual. Cualquier otro uso no recomendado por el fabricante puede causar incendios, descargas eléctricas o lesiones personales.
18. Evite utilizar extensiones eléctricas, debido al riesgo de sobrecalentarlas y provocar un incendio. Las extensiones eléctricas son sólo para uso temporal. De ser necesaria una extensión eléctrica, ésta debe estar certificada UL/CSA, clasificada como 15 A (1875 W), 125 V como máximo con 14 AWG como mínimo y fabricada con dos conductores de corriente con puesta a tierra. Se recomienda una extensión eléctrica para trabajo pesado de la menor longitud posible para la conexión, que no sobrepase los 15,24 m (50 pies). No enrolle ni cubra la extensión eléctrica.

**GUARDE ESTAS INSTRUCCIONES**

# **! PELIGRO**



## **Conexión eléctrica**

Se requiere un circuito de 15 amperios, 120 voltios, 60 Hz con un tomacorriente correctamente puesto a tierra. De preferencia, la chimenea debe estar en un circuito dedicado, ya que la conexión de otros electrodomésticos al mismo circuito puede provocar que el interruptor de circuito se desconecte o que el fusible se funda cuando el calentador esté en funcionamiento. Se incluye como estándar con la unidad un cable de tres conductores de 1,83 m (6 pies) de largo, que sale del lado derecho de la chimenea. Planifique la instalación para evitar el uso de una extensión eléctrica. Las extensiones eléctricas son sólo para uso temporal. De ser necesaria una extensión eléctrica, ésta debe estar certificada UL/CSA, clasificada como 15 A (1875 W), 125 V como máximo con 14 AWG como mínimo y fabricada con dos conductores de corriente con puesta a tierra. Se recomienda una extensión eléctrica para trabajo pesado de la menor longitud posible para la conexión, que no sobrepase los 15,24 m (50 pies). No enrolle ni cubra la extensión eléctrica.



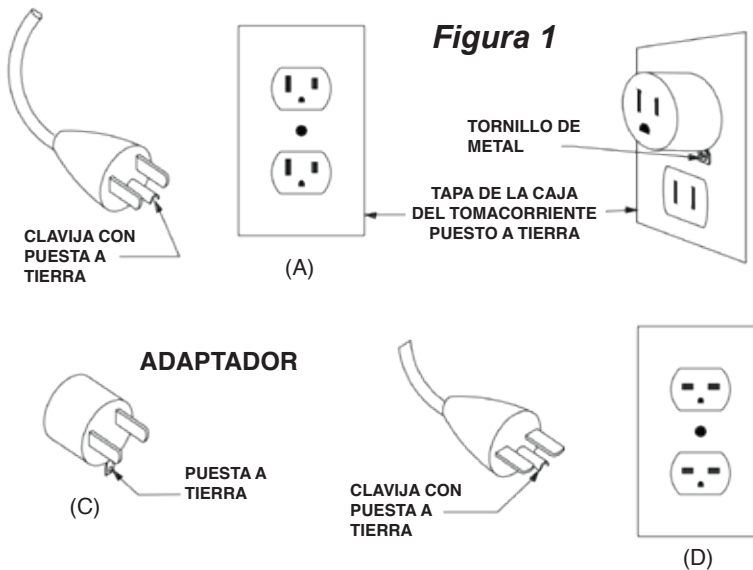
El cableado del tomacorriente debe cumplir con los códigos de construcción locales y con otras normas que correspondan para reducir el riesgo de incendio, descarga eléctrica y lesiones a personas.



No utilice esta chimenea si alguna de sus piezas estuvo sumergida en agua. Llame de inmediato a un técnico en mantenimiento calificado a fin de que inspeccione la chimenea y reemplace cualquier pieza del sistema eléctrico que haya estado bajo agua.

## **Instrucciones de puesta a tierra**

Este calentador fue diseñado para su uso en 120 voltios. El cable tiene un enchufe, como se muestra en A de la figura 1. Hay disponible un adaptador, como se muestra en C, para conectar enchufes con puesta a tierra de tres clavijas a receptáculos de dos ranuras. La orejeta verde de puesta a tierra que sale del adaptador se debe conectar permanentemente a tierra, como a través de una caja de un tomacorriente correctamente puesto a tierra. El adaptador no se debe usar si hay disponible un receptáculo de tres ranuras puesto a tierra.



**NOTA:**  
**Los adaptadores NO son para ser utilizados en Canadá**

## INFORMACIÓN DE SEGURIDAD

### Control remoto

Este equipo ha sido probado y se ha verificado que cumple con los límites para un dispositivo digital Clase B, conforme a la Parte 15 de las reglas de la FCC y con ICES-003 de la Industria de Canadá. Estos límites están diseñados para proporcionar protección razonable contra interferencia perjudicial en una instalación residencial. Este equipo genera, utiliza y puede irradiar energía de radiofrecuencia y, si no se instala y usa de acuerdo con el manual de instrucciones, puede causar interferencia perjudicial a las comunicaciones de radio.

Sin embargo, no se garantiza que no se producirán interferencias en una instalación en particular. Si este equipo genera interferencia perjudicial a la recepción de radio o televisión, lo que se puede determinar al apagar y encender el equipo, se recomienda al usuario que intente corregir la interferencia con una o más de las siguientes medidas:

- Reorientar o reubicar la antena de recepción.
- Aumentar la separación entre el equipo y el receptor.
- Conectar el equipo a un tomacorriente de un circuito distinto al que usa el receptor.
- Solicitar ayuda al concesionario o a un técnico con experiencia en radio/TV.

**El control remoto requiere 1 batería de botón de litio (tamaño CR2025), que viene incluida.**

NO mezcle baterías antiguas con nuevas.

NO use baterías recargables de plata-cadmio en la unidad de control remoto.

NO mezcle baterías alcalinas, estándar (zinc-carbono) o recargables (níquel cadmio).

NO incinere las baterías. Una eliminación incorrecta de las baterías puede provocar que éstas exploten o se filtren.

## ALERTA



**LAS LÍNEAS ELÉCTRICAS, DE PLOMERÍA O DE GAS DEBEN ESTAR EN PARED.**

Antes de cortar, perforar o martillar, verifique su localización. Si es necesario, entre en contacto con su electricista, plomero o persona del servicio.

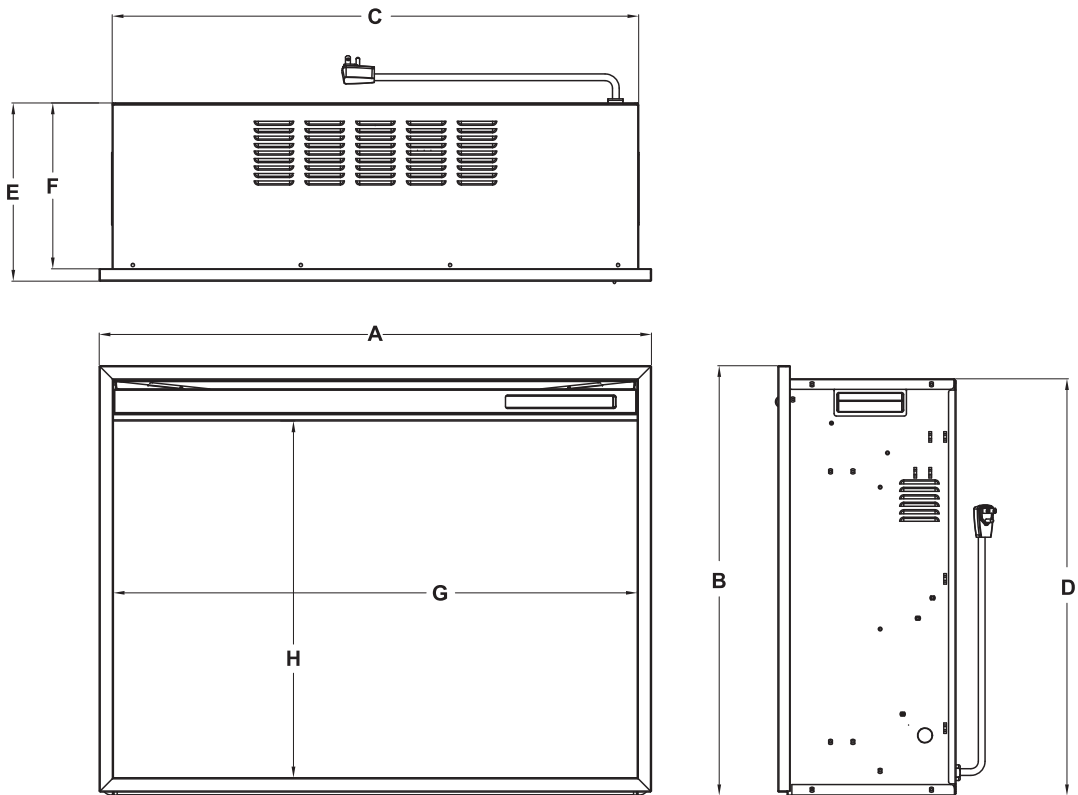
## PRECAUCIÓN

**EL DAÑO DEL PRODUCTO PUEDE OCURRIR.**

Nunca intente desmontar o alterar el producto de cualquier manera no instruida por este manual.

# INSTRUCCIONES DE INSTALACIÓN

## Dimensiones de la chimenea

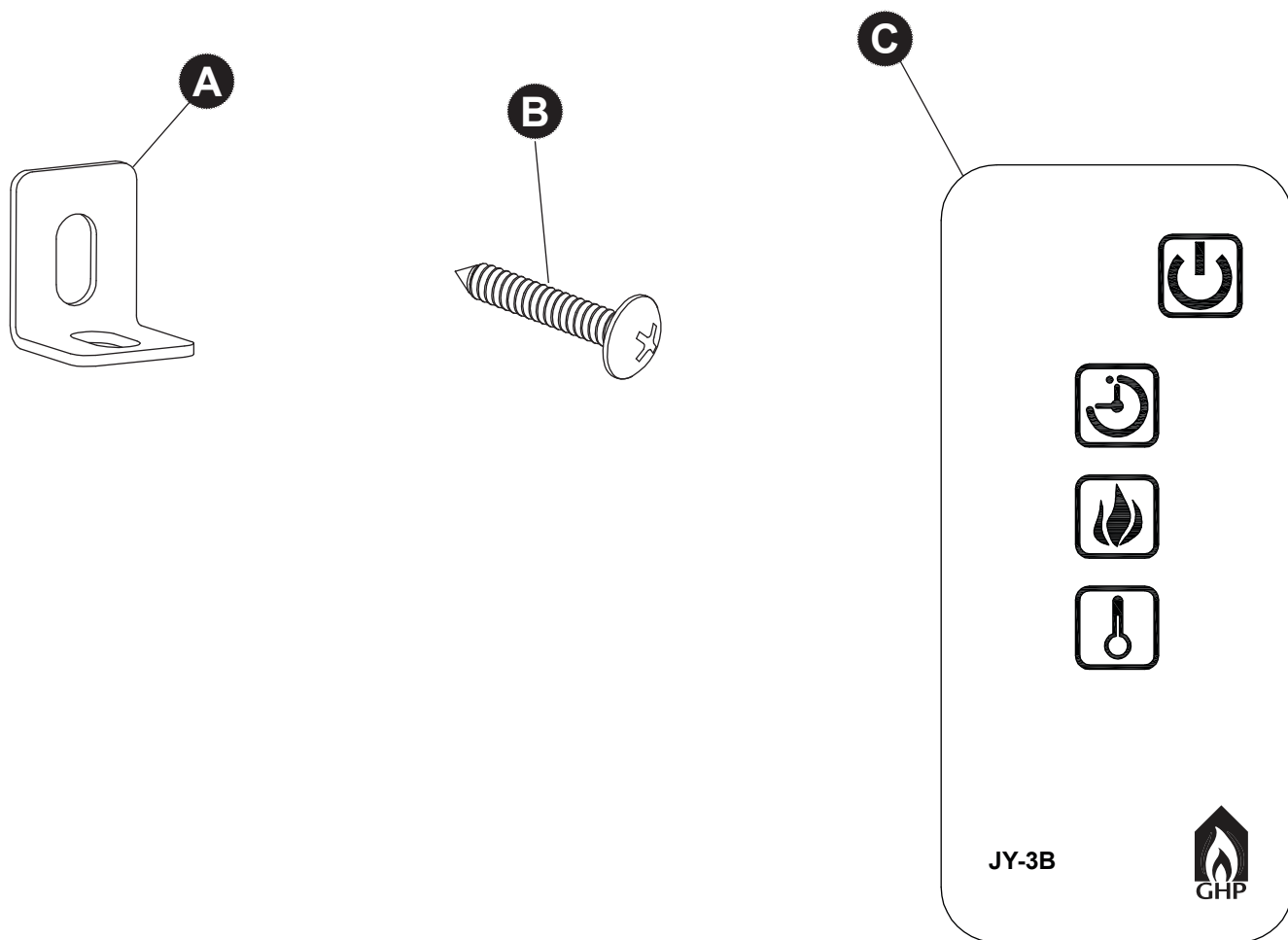


Ref.	23-800-001 / GLF-2308 / GEF23TRG18	28-800-001 / GLF-2808 / GEF28TRG18
A	616 mm	740 mm
B	514 mm	576 mm
C	581 mm	705 mm
D	496.5 mm	558.5 mm
E	239 mm	239 mm
F	222.5 mm	222.5 mm
G	578 mm	702 mm
H	416 mm	483 mm

Especificaciones técnicas	
Voltaje	120 V AC
Frecuencia	60Hz
Amperaje Máximo	12A
Potencia de Servicio del Calentador	1350W

## INSTRUCCIONES DE INSTALACIÓN

### Contenido del paquete



PIEZA	DESCRIPCIÓN	CANTIDAD
A	Kit de abrazadera de montaje	2
B	Tornillo (ST4)	4
C	Control remoto infrarrojo	1

## INSTRUCCIONES DE INSTALACIÓN

---

### La chimenea debe ubicarse en un área:

- Lejos de la luz solar directa
- No susceptible a la humedad
- Lejos de una pared exterior no aislada
- Al menos a 0,91 m (3 pies) de cortinas, muebles y otros elementos inflamables

Distancia de separación con elementos inflamables	
Lateral	61.5 mm
Piso	0 mm
Parte superior	51 mm
Parte delantera	914 mm
Trasero	20 mm
De madera frente a [hasta 16 Mm grueso]	8 mm

### PREPARACIÓN

Antes de comenzar a ensamblar el producto, asegúrese de tener todas las piezas. Compare las piezas con la lista del contenido del paquete y los aditamentos mencionados anteriormente. No intente ensamblar el producto si falta alguna pieza o si éstas están dañadas. Póngase en contacto con el Servicio al Cliente para obtener piezas de repuesto.



**Tiempo estimado de ensamblaje: 15 minutos**

Destornillador Phillips (no se incluyen)

Abra la unidad y verifique cuidadosamente si hay daños visibles. Se tiene algún problema con la instalación, funcionamiento, piezas faltantes o daño, llame al 877-447-4768 para obtener servicio.

**NO elimine el empaque hasta que esté satisfecho con la chimenea.**

**NO devuelva la unidad a la tienda antes de llamar gratis al 877-447-4768 para obtener servicio.**

## INSTRUCCIONES DE INSTALACIÓN

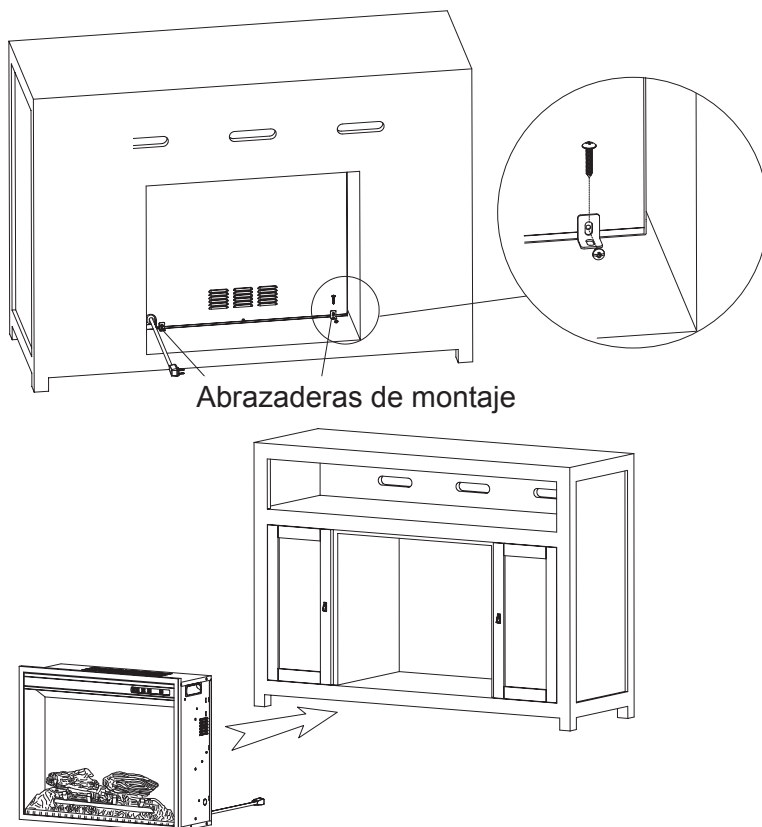
1. Ubique la repisa de madera para chimenea ensamblada Pleasant Hearth cerca de un tomacorriente de 15 amperios/120 voltios puesto a tierra. Lea todas las instrucciones antes de usar este electrodoméstico.
2. Ubique el accesorio directamente frente a la abertura de la repisa para chimenea.
3. Levante cuidadosamente el accesorio por la abertura central de la parte delantera de la chimenea. La parte inferior de la placa adicional dispone de dos tiras de espuma de caucho para evitar que se raye la base de la chimenea. Vuelva insertar el accesorio por la abertura hasta que el reborde de metal haga contacto con la parte delantera de la repisa para chimenea.
4. Instale las abrazadera de montaje proporcionadas con el accesorio en los orificios previamente taladrados en la parte inferior del accesorio (vea la figura 2).
5. Coloque cuidadosamente la repisa para chimenea con la chimenea instalada en la pared.
6. Enchufe el cable de alimentación en el tomacorriente de 15 amperios / 120 voltios. Use una extensión eléctrica calificada para un mínimo de 1875 vatios si es necesario.

**NOTA:** Esta unidad equipada con una válvula de seguridad en el panel de atrás que desactiva el horno (vea la figura 3).

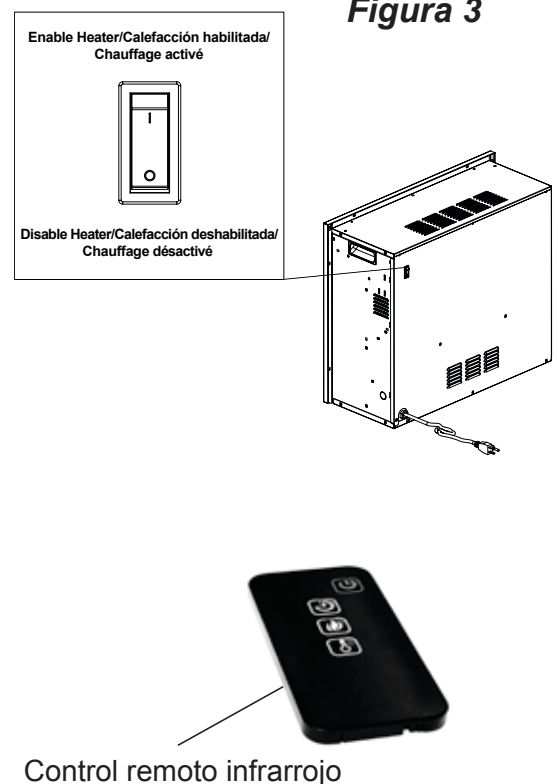
Para activar el calentador, por favor asegúrese que el botón este en "ON." El calentador funcionará usando el control remoto o el panel de control del frente de la unidad.

**PRECAUCIÓN:** asegúrese de que la unidad esté instalada de manera tal que el cable de alimentación no quede apretado o atrapado en la unidad o en la repisa para chimenea, y de que no haya obstáculos hasta el toma corriente puesto a tierra.

**Figura 2**



**Figura 3**





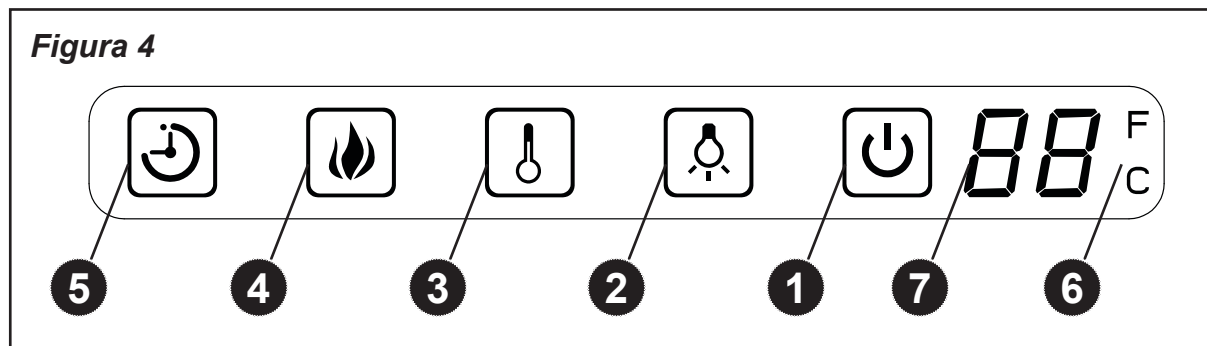
## INSTRUCCIONES DE OPERACIÓN

Si puede tener acceso a las funciones de control de la chimenea de dos (2) formas:

- Mediante el panel de control de teclado, ubicado en la esquina superior derecha de la chimenea detrás de la cubierta corrediza del panel de control.
- Mediante la unidad de control remoto multifuncional.

La chimenea ofrece controles convenientemente separados para efecto de llamas y para control del calentador. Esto le permite operar la unidad de dos (2) modos diferentes:

- **Como una completa chimenea**, cuando el efecto de llamas y el calentador están encendidos. Este modo le permite disfrutar de la apariencia de fuego junto con la salida de calor de un calentador.
- **Como efecto visual**, cuando sólo está encendido el efecto de llama, pero no el calentador. Recomendamos este modo para aplicación en clima cálido, cuando se desea el ambiente de una chimenea, pero sin salida de calor.



- 1 Botón de alimentación principal:**

Este botón alimenta todas las funciones de la chimenea. Para que dichas funciones trabajen, el Botón Principal de Encendido debe estar en la posición "ON" (de encendido), bien sea desde el control remoto o sobre el teclado táctil de la chimenea.
- 2 Botón de luz hacia abajo: (Sólo el MODELO de 71,12 cm)**

Este botón controla la iluminación interior. Al encender el botón de luz inferior se ilumina el interior de la chimenea.
- 3 Botón de Control de la Chimenea:**

Este botón controla el encendido/apagado (ON/OFF) de la chimenea y 11 graduaciones de temperatura, desde 68°F (20°C) hasta 88°F (31°C). Cuando la chimenea se enciende por primera vez, comienza con la temperatura más baja 68°F (20°C). Cada vez que el botón de Control de la Chimenea es presionado, la temperatura se incrementa 2°F (1°C), permitiendo ajustar la temperatura ambiente hasta 88°F (31°C). A menos que la alimentación de energía eléctrica haya sido interrumpida, la chimenea va a recordar la última graduación de temperatura, y en una posterior utilización va a comenzar en dicha graduación.
- 4 Botón de control de llama:**

Este botón controla la brillantez del efecto de llama, con graduaciones de Alto, Medio y Bajo. Cuando la chimenea se enciende por primera vez, la llama se enciende en el nivel más alto. La chimenea recordará la última configuración de la flama y en usos subsecuentes el brillo de la flama iniciará en dicha configuración, a menos de que se interrumpa el suministro de energía a la unidad. Cada vez que el botón de llama es presionado, la brillantez de la llama disminuye. La única forma de apagar completamente el efecto de llama es apagando la chimenea mediante el Botón de Encendido principal.

## INSTRUCCIONES DE OPERACIÓN

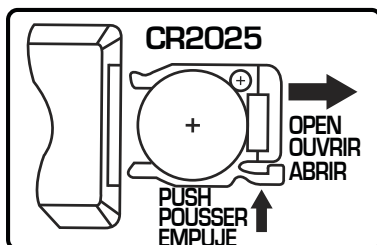
- 5 Botón del Temporizador:**  
Este botón controla el encendido/apagado (ON/OFF) del temporizador y 10 graduaciones de tiempo, desde 30 minutos hasta 9 horas. Cuando el Temporizador se enciende por primera vez, comienza con la graduación de tiempo más corta (30 minutos). Cada vez que el botón del Temporizador es presionado, el tiempo se incrementa 1 hora, hasta la graduación máxima de 9 horas. Una vez que el tiempo establecido expira, todas las funciones de la chimenea se van a apagar automáticamente.
- 6 Visualización de Fahrenheit/Celsius:**  
Este botón muestra F (Fahrenheit) o C (Celsius), dependiendo de cómo la temperatura ha sido graduada. Cuando la chimenea se enciende por primera vez, la temperatura F (Fahrenheit) será mostrada. Cuando al CHIMENEA ESTÁ ENCENDIDA, para cambiar de Fahrenheit a Celsius o viceversa, presione el BOTÓN DE CONTROL DE LA CHIMENEA durante 10 segundos. A menos que la alimentación de energía eléctrica haya sido interrumpida, la chimenea recordará la última graduación de temperatura, y en una posterior utilización la pantalla comenzará en dicha graduación.
- 7 Visualización de Temperatura/Temporizador:**  
Esta pantalla tipo LED muestra el punto de graduación para las funciones de temperatura y de temporizador. Cuando alguna de estas funciones se activa, la pantalla muestra el punto de graduación durante cinco segundos y después se desvanece hasta quedar en negro. Cualquier cambio en el punto de graduación de la temperatura o del temporizador reactivará la pantalla, la cual se desvanecerá de nuevo después de cinco segundos.

El control remoto infrarrojo utiliza una línea de visión y se debe apuntar a la llama o la malla de la chimenea para que funcione. La unidad de control remoto cuenta con los controles necesarios para **encender o apagar** tanto la alimentación principal como el calentador. Si prefiere usar el control de teclado en la chimenea misma, abra la cubierta corrediza del panel de control para tener acceso a los botones del teclado. La disposición de los botones en el teclado y la unidad de control remoto se puede ver en las figuras 4 y 6 respectivamente.

1. Enchufe la chimenea en un tomacorriente de 15 amperios y 120 voltios.
2. Encienda la unidad (consulte la ilustración para conocer la ubicación del botón de alimentación principal). La llama se encenderá en la pared posterior de la chimenea.
3. Retire la lengüeta plástica del interior del compartimiento de baterías para activar el control remoto (consulte la figura 5).
4. Apunte el control remoto directamente a la llama o malla de la chimenea y use los botones para operarla.

### Battery Replacement Procedure: (Tamaño CR2025)

Battery replacement instruction  
Instructions de remplacement des piles  
Instrucción de reemplazo de la batería



▼  
RELEASE  
RELÂCHER  
LIBERAR



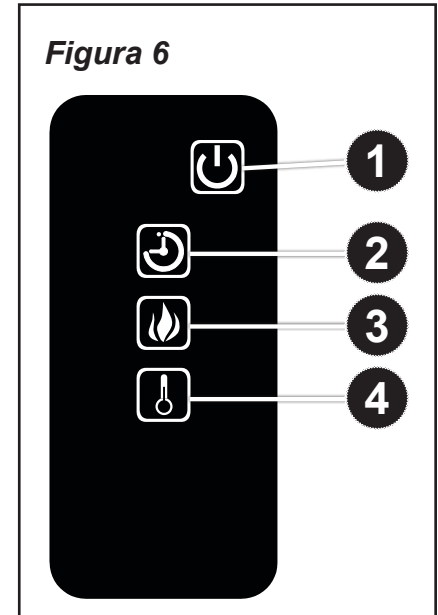
- 1 Botón de alimentación principal:**

Este botón alimenta todas las funciones de la chimenea. Para que dichas funciones trabajen, el Botón Principal de Encendido debe estar en la posición "ON" (de encendido), bien sea desde el control remoto o sobre el teclado táctil de la chimenea.
- 2 Botón del Temporizador:**

Este botón controla el encendido/apagado (ON/OFF) del temporizador y 10 graduaciones de tiempo, desde 30 minutos hasta 9 horas. Cuando el Temporizador se enciende por primera vez, comienza con la graduación de tiempo más corta (30 minutos). Cada vez que el botón del Temporizador es presionado, el tiempo se incrementa 1 hora, hasta la graduación máxima de 9 horas. Una vez que el tiempo establecido expira, todas las funciones de la chimenea se van a apagar automáticamente.
- 3 Botón de control de llama:**

Este botón controla la brillantez del efecto de llama, con graduaciones de Alto, Medio y Bajo. Cuando la chimenea se enciende por primera vez, la llama se enciende en el nivel más alto. La chimenea recordará la última configuración de la flama y en usos subsecuentes el brillo de la flama iniciará en dicha configuración, a menos de que se interrumpa el suministro de energía a la unidad. Cada vez que el botón de llama es presionado, la brillantez de la llama disminuye. La única forma de apagar completamente el efecto de llama es apagando la chimenea mediante el Botón de Encendido principal.
- 4 Botón de Control de la Chimenea:**

Este botón controla el encendido/apagado (ON/OFF) de la chimenea y 11 graduaciones de temperatura, desde 68°F (20°C) hasta 88°F (31°C). Cuando la chimenea se enciende por primera vez, comienza con la temperatura más baja 68°F (20°C). Cada vez que el botón de Control de la Chimenea es presionado, la temperatura se incrementa 2°F (1°C), permitiendo ajustar la temperatura ambiente hasta 88°F (31°C). A menos que la alimentación de energía eléctrica haya sido interrumpida, la chimenea va a recordar la última graduación de temperatura, y en una posterior utilización va a comenzar en dicha graduación.



**NOTA:** Para cambiar la temperatura de Fahrenheit a Celsius y viceversa vea las instrucciones de visualización de Fahrenheit/Celsius del panel de control.

## CUIDADO Y MANTENIMIENTO

---

### **Antes de intentar realizar CUALQUIER mantenimiento:**

1. Apague la unidad.
2. Desenchufe el cable de alimentación del tomacorriente.
3. Deje que la chimenea se enfríe si ha estado funcionando.

### **Información sobre el vidrio**

1. Bajo ninguna circunstancia este producto se debe operar con el vidrio roto.
2. No golpee el vidrio.
3. No use limpiadores abrasivos para limpiar el vidrio.
4. Este producto usa vidrio templado. El reemplazo del vidrio proporcionado por el fabricante sólo debe realizarlo un técnico calificado.

### **Mantenimiento de los motores**

#### **Siempre desconecte el electrodoméstico del suministro eléctrico principal y permita que se enfríe antes de cualquier operación de mantenimiento.**

Los motores usados en el calentador de ventilador y el soplador de llamas vienen lubricados previamente para prolongar la vida útil de los rodamientos y no necesitan otra lubricación. Sin embargo, se recomienda una limpieza o aspiración periódica del electrodoméstico alrededor de la entrada y salida de aire, así como del calentador de ventilador. Para un uso pesado o continuo, la limpieza periódica se debe realizar con mayor frecuencia. Si el calentador sopla alternadamente aire frío y cálido, compruebe que el ventilador se mueva libremente y que no haya desechos que obstruyan el flujo de aire. Si el ventilador no se mueve libremente, la unidad se debe apagar y el ventilador se debe reemplazar inmediatamente para evitar daños a la unidad.

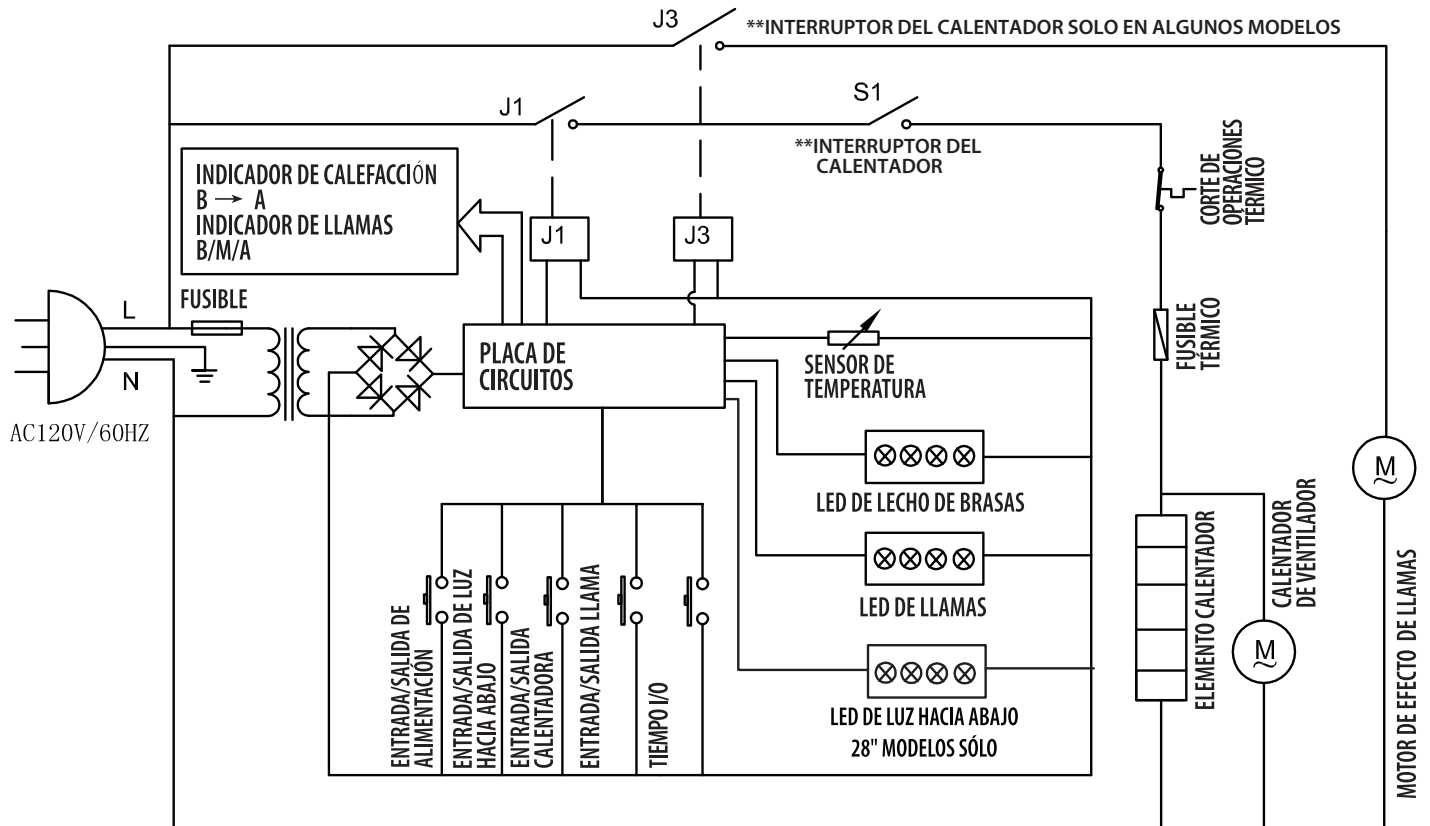
### **Limpieza**

Limpieza del panel de control de teclado, ubicado en la esquina superior derecha de la chimenea detrás de la cubierta corrediza del panel de control, se debe realizar sólo usando un paño suave, levemente humedecido con agua (si es necesario, se puede agregar una pequeña cantidad de jabón para platos al agua) y se debe secar usando un paño suave seco. La limpieza del difusor de la malla se debe realizar usando sólo agua y un paño sin pelusas. NO use ningún limpiador doméstico abrasivo, ya que estos productos dañan los controles del teclado y el difusor de la malla.

## DIAGRAMA DEL CABLEADO ELÉCTRICO

Toda reparación eléctrica o nuevo cableado de esta unidad sólo debe realizarlo un electricista certificado de acuerdo con los códigos nacionales y locales.

### DIAGRAMA DE CIRCUITO



**ADVERTENCIA:** Desconecte la fuente de alimentación antes de dar mantenimiento.

## ⚠ PELIGRO



**Desconecte de la alimentación antes de realizar mantenimiento.**



Todo nuevo cableado eléctrico del electrodoméstico debe realizarlo un electricista calificado. Este cableado se debe realizar de acuerdo con códigos locales o, en Canadá, de acuerdo con el Código de Electricidad de Canadá CSA C22.1 actual, y para las instalaciones en EE.UU., de acuerdo con el código nacional de electricidad, ANSI/NFPA No. 70.



**Si se repara o reemplaza cualquier componente eléctrico o cableado, se deben seguir las rutas originales de los cables, los códigos de color y las ubicaciones de fijación.**

## SOLUCIÓN DE PROBLEMAS

Si tiene preguntas relacionadas con el producto, llame al Servicio al Cliente llamando al 1-877-447-4768, de 8:30 a.m. a 4:30 p.m. hora central estándar, de lunes a viernes.

Problema	Causa posible	Acción correctiva
La chimenea no funciona; la luz de encendido del panel de control no está encendida.	<ol style="list-style-type: none"> <li>1. La chimenea no está enchufada.</li> <li>2. Un interruptor de circuito se desconectó o se fundió un fusible.</li> <li>3. Interruptor de ENCENDIDO/ APAGADO defectuoso</li> <li>4. Cableado suelto.</li> </ol>	<ol style="list-style-type: none"> <li>1. Asegúrese de que la chimenea esté enchufada a un tomacorriente estándar de 120 V.</li> <li>2. Compruebe si hay otros electrodomésticos conectados al circuito; idealmente, la chimenea debe estar conectada a un circuito dedicado de 15 amperios.</li> <li>3. Llame a Servicio al Cliente al (877) 447-4768.</li> <li>4. Llame a Servicio al Cliente al (877) 447-4768.</li> </ol>
La luz de encendido está encendida pero la llama posterior no brilla o no está visible.	<ol style="list-style-type: none"> <li>1. Funcionamiento incorrecto.</li> <li>2. La tira del LED no funciona.</li> <li>3. Cableado suelto.</li> </ol>	<ol style="list-style-type: none"> <li>1. Consulte las instrucciones de operación.</li> <li>2. Llame a Servicio al Cliente al (877) 447-4768.</li> <li>3. Llame a Servicio al Cliente al (877) 447-4768.</li> </ol>
La luz de encendido está encendida pero la llama del lecho de brasas no titila.	<ol style="list-style-type: none"> <li>1. La tira del LED no funciona.</li> <li>2. Cableado suelto.</li> </ol>	<ol style="list-style-type: none"> <li>1. Llame a Servicio al Cliente al (877) 447-4768.</li> <li>2. Llame a Servicio al Cliente al (877) 447-4768.</li> </ol>
Ruido excesivo cuando la llama está encendida pero el calentador está apagado.	<ol style="list-style-type: none"> <li>1. El eje del reflector de llamas giratorio se está friccionando contra la carcasa.</li> <li>2. Motor del eje del reflector de llamas defectuoso.</li> </ol>	<ol style="list-style-type: none"> <li>1. Abra la parte posterior de la cámara de combustión y corrija la posición del eje del reflector de llamas. Apague la unidad antes de realizar mantenimiento.</li> <li>2. Llame a Servicio al Cliente al (877) 447-4768.</li> </ol>

## SOLUCIÓN DE PROBLEMAS

Si tiene preguntas relacionadas con el producto, llame al Servicio al Cliente llamando al 1-877-447-4768, de 8:30 a.m. a 4:30 p.m. hora central estándar, de lunes a viernes.

Problema	Causa posible	Acción correctiva
El calentador no funciona.	<ol style="list-style-type: none"><li>1. Funcionamiento incorrecto.</li><li>2. Válvula de seguridad activado</li><li>3. Interruptor del calentador defectuoso.</li><li>4. Ensamble del calentador defectuoso.</li><li>5. Cableado suelto.</li><li>6. Puerta corrediza sucia u obstruida.</li><li>7. EL termostato ha sido satisfecho.</li></ol>	<ol style="list-style-type: none"><li>1. Consulte las instrucciones de operación.</li><li>2. Asegúrese de que el botón esté en "ON". (Vea la página 48)</li><li>3. Llame a Servicio al Cliente al (877) 447-4768.</li><li>4. Llame a Servicio al Cliente al (877) 447-4768.</li><li>5. Llame a Servicio al Cliente al (877) 447-4768.</li><li>6. Desenchufe la unidad. Limpie el polvo y los desechos del área de la puerta. Espere cinco minutos, vuelva a enchufar la unidad y encienda el calentador.</li><li>7. Incremente la temperatura ambiente deseada sobre el panel de control o mediante el control remoto.</li></ol>
Ruido excesivo cuando el calentador está funcionando.	<ol style="list-style-type: none"><li>1. Soplador sucio u obstruido.</li><li>2. Ensamble del calentador defectuoso.</li></ol>	<ol style="list-style-type: none"><li>1. Consulte la sección Mantenimiento de los motores del manual de instrucciones.</li><li>2. Llame a Servicio al Cliente al (877) 447-4768.</li></ol>



## **GARANTÍA**

---

El fabricante garantiza que su nueva chimenea eléctrica no presentará defectos de fabricación ni materiales durante un período de un año a partir de la fecha de compra, siempre y cuando se cumplan las siguientes condiciones y limitaciones.

1. Esta chimenea eléctrica se debe instalar y operar en todo momento de acuerdo con las instrucciones de instalación y operación proporcionadas con el producto. Cualquier alteración, abuso deliberado, accidente o uso inadecuado del producto anulará esta garantía.
2. Esta garantía no es transferible y sólo está disponible para el propietario original, siempre y cuando la compra se haya realizado a través de un proveedor autorizado de la Compañía.
3. Esta garantía se limita a la reparación o reemplazo de piezas que se consideren defectuosas en material o mano de obra, siempre y cuando dicha pieza haya estado sometida a condiciones normales de uso y servicio, después de que una inspección por parte de la Compañía confirme dicho defecto.
4. La Compañía podrá, bajo su criterio, eximirse de toda obligación respecto de esta garantía reembolsando el precio al por mayor de la pieza defectuosa.
5. Esta garantía no cubrirá ningún costo de instalación, mano de obra, construcción, transporte o de otro tipo que surja de la pieza defectuosa, su reparación, reemplazo u otra situación, y la Compañía no asumirá ninguna responsabilidad por las mismas. La Compañía tampoco será responsable por ningún daño accidental, indirecto o resultante, salvo que la ley estipule lo contrario.
6. Mediante el presente, se excluye expresamente cualquier otra garantía, expresa o implícita, respecto del producto, sus componentes y accesorios, o cualquier otra obligación o responsabilidad de parte de la Compañía.
7. La Compañía no asume, ni autoriza a ningún tercero a asumir en su nombre, ninguna otra responsabilidad respecto de la venta de este producto.
8. Las garantías descritas en este documento no se aplican a accesorios que no sean de el fabricante y que se usen junto con la instalación de este producto.

### **Esta garantía es nula si:**

- a) La chimenea ha funcionado en atmósferas contaminadas con cloro, flúor u otras sustancias químicas dañinas.
- b) La chimenea está sometida a períodos prolongados de humedad o condensación.
- c) Se produce cualquier alteración, abuso deliberado, accidente o uso inadecuado del producto.

### **SI SE NECESITA SERVICIO DE GARANTÍA. . .**

- 1) Póngase en contacto con el Servicio al Cliente de el fabricante.  
Asegúrese de tener su garantía, su recibo de venta y el modelo o número de serie de su producto el fabricante.
- 2) **NO INTENTE REALIZAR NINGÚN TRABAJO DE REPARACIÓN USTED MISMO.**



**GHP Group, Inc.**  
6440 W. Howard St.  
Niles, IL 60714-3302  
877-447-4768



## LISTA DE PIEZAS DE REPUESTO

Para pedir piezas de repuesto, llame a nuestro departamento de Servicio al Cliente al 1-877-447-4768, de 8:30 a.m. a 4:30 p.m. hora central estándar, de lunes a viernes.

Ref.	Descripción	23-800-001	28-800-001
		GLF-2308 GEF23TRG18	GLF-2808 GEF28TRG18
1	Panel superior	EF23350AC	EF28350AC
2	Ensamble de panel lateral izquierdo	EF23106AC	EF23106AC
3	Ensamble de panel lateral derecho	EF23107AC	EF28107AC
4	Panel posterior	EF23354AC-13	EF28354AC
5	Ensamble de reborde	EF23108AC	EF28108AC
6	Panel de llamas	EF23356AC	EF28356AC
7	Kit del soporte de instalación	EF33405A-12	EF33405A-12
8	Calentador	EF33501A	EF33501A
9	Malla	EF23372AC	EF28374AC
10	Reflector de llamas	EF23373AS-12	EF28377A-12
11	Cama de brasas-Tira de luces LED	EF28368AC	EF28368AC
12	Llama-Luces LED-Tira	EF28369AS	EF28369AS
13	Juego de leños	EF23371AS	EF28373
14	Gráfico del panel de control	EF23511A-12	
15	Tablero de circuitos del panel de control		EF33504AC-12
16	Control remoto	EF33510AS-12	EF33510AS-12
17	Cable de alimentación y conector	EF33515A	EF33515A
18	Motor-B	EF33508A	EF33508A
19	Panel lateral izquierdo de ladrillo		EF28375AC
20	Panel lateral derecho de ladrillo		EF28381AC
21	Ensamble de luz hacia abajo		EF33109A
22	Tablero de circuitos del panel de control	EF23511A-12	
23	Tablero de circuitos del panel de control		EF33504AC-12
24	Interruptor de palanca	EF24900014AC	

