

This Owner's Manual is provided and hosted by [Appliance Factory Parts](#).



DYNA-GLO DGA480SSN-D-1 Owner's Manual

[Shop genuine replacement parts for DYNA-GLO
DGA480SSN-D-1](#)



[Find Your DYNA-GLO Grill Parts - Select From 232 Models](#)

----- Manual continues below -----

Dyna-Glo™ 4-BURNER NATURAL GAS GRILL WITH SIDE BURNER

MODEL #DGA480SSN/DGA480SSN-D

Français p. 25

Español p. 49



C US

ANS Z21.58b-2012
CSA 1.6b-2012
Outdoor Cooking
Gas Appliance

ATTACH YOUR RECEIPT HERE

Serial Number _____ Purchase Date _____



Questions, problems, missing parts? Before returning to your retailer, call our customer service department at 1-877-447-4768, 8:30 a.m. – 4:30 p.m., CST, Monday – Friday or e-mail us at customerservice@ghpgroupinc.com.

TABLE OF CONTENTS

Safety Information	3
Package Contents	5
Hardware Contents	6
Preparation	6
Assembly Instructions	7
Operating Instructions	15
Care and Maintenance	16
Troubleshooting	19
Warranty	21
Replacement Parts List	22

Assembler/Installer: This manual contains important information necessary for the proper assembly and safe use of this appliance. Read and follow all warnings and instructions before assembling and using this appliance. **Leave these instructions with the consumer.**

Consumer/User: Follow all warnings and instructions when using this appliance.
Retain these instructions for future reference.



DANGER:

If you smell gas:

- 1. Shut off gas to the appliance.**
- 2. Extinguish any open flame.**
- 3. Open lid.**
- 4. If odor continues, keep away from the appliance and immediately call your gas supplier or your fire department.**



WARNING:

1. Do not store or use gasoline or other flammable liquids or vapors in the vicinity of this or any other appliance.
2. An LP cylinder not connected for use shall not be stored in the vicinity of this or any other appliance.
3. This grill is for outdoor use only and shall not be used in a building, garage, under overhangs or any other enclosed area.
4. Do not leave a lit grill unattended. Keep children and pets away from the grill at all times.



SAFETY INFORMATION

Please read and understand this entire manual before attempting to assemble, operate or install the product. If you have any questions regarding the product, please call customer service at: 1-877-447-4768, 8:30 a.m. – 4:30 p.m., CST, Monday – Friday.

DANGER

- Do not use in an explosive atmosphere. Keep grill area clear and free from combustible materials, gasoline and other flammable vapors and liquids.

CALIFORNIA PROPOSITION 65

Fuels used in gas or oil fired appliances and the products of combustion of such fuels contain chemicals known to the State of California to cause cancer, birth defects or other reproductive harm. This product contains chemicals, including lead and lead compounds, known to the State of California to cause cancer, birth defects or other reproductive harm. ***Wash hands after handling.***

CAUTION

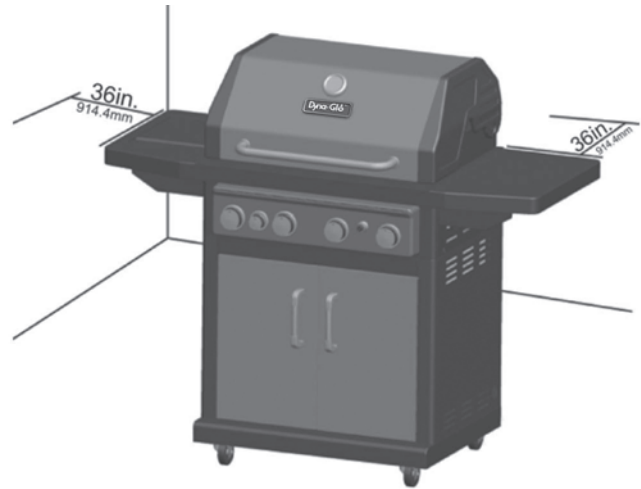
- Never use charcoal or lighter fluid with the grill.
- Do not use gasoline, kerosene or alcohol for lighting.
- This grill is not intended to be used in or installed on recreational vehicles and/or boats.
- Always open grill lid slowly and carefully as heat and steam trapped within the grill can burn you severely.
- Never attempt to operate this grill using propane.
- Always employ a qualified service agency to install all necessary natural gas supply plumbing, manual shutoff valve, and quick-connect fittings.

SAFETY INFORMATION

WARNING

- Do not place the grill under overhead combustible construction or awnings. Minimum clearance from sides and back of unit to combustible construction: 36 inches (914.4 mm).

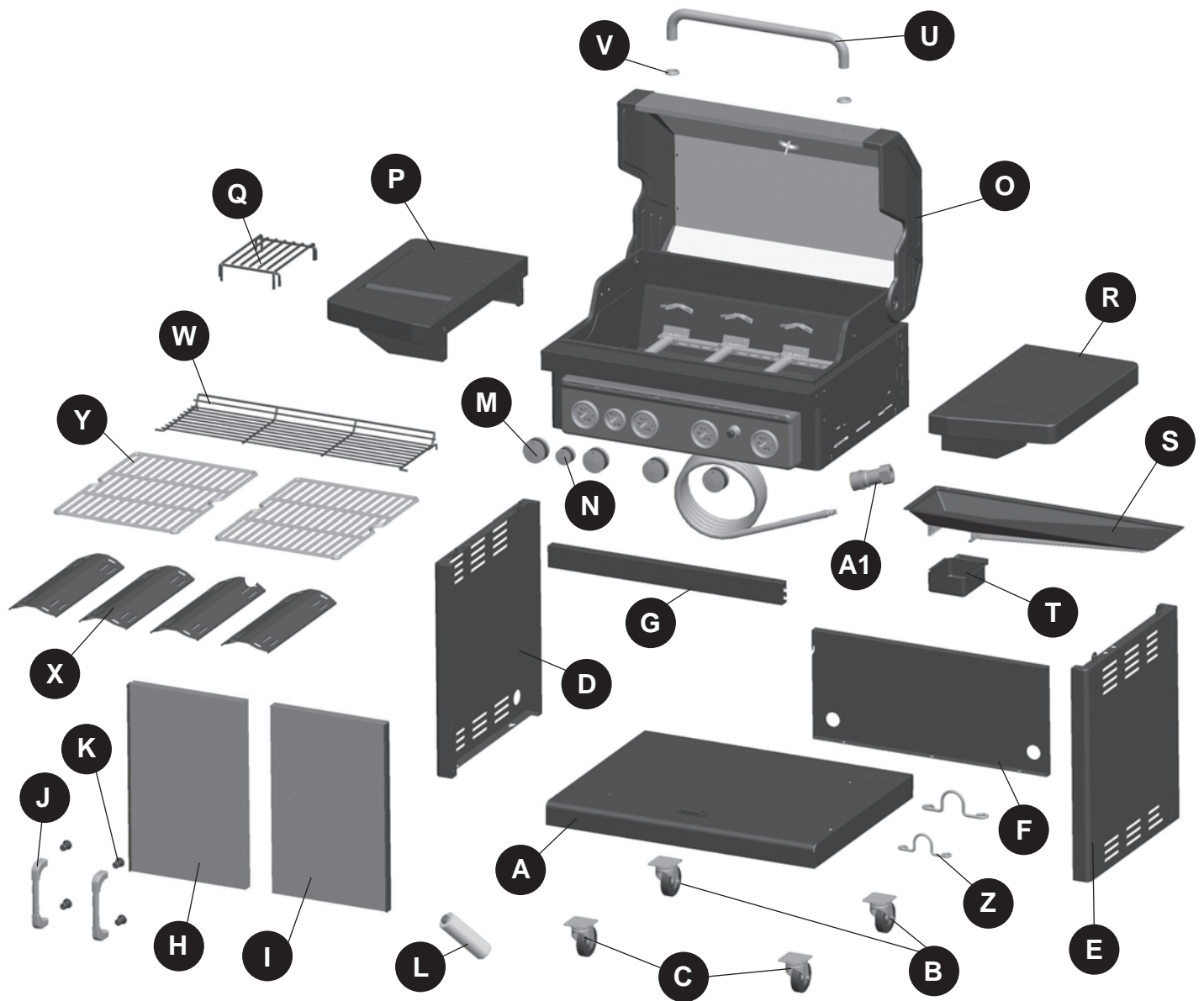
NOTE: The installation must conform with local codes or, in the absence of local codes, with either the National Fuel Gas Code, ANSI Z223.1/NFPA 54, Natural Gas and Propane Installation Code, CSA B149.1, or Propane Storage and Handling Code, B149.2.



CAUTION

- Do not store or use gasoline or other flammable liquids or vapors in the vicinity of this or any other appliance. Do not store flammables inside the cart of the grill.
- An LP cylinder not connected for use shall not be stored in the vicinity of this or any other appliance.
- This grill is for use with natural gas only.
- Never attempt to attach this grill to the self-contained propane system of a boat, camper trailer, motor home or house.
- Do not attempt to move the grill while it is lit or when it is hot. The casters should be locked when not moving the grill.
- Do not use the grill unless it is completely assembled and all parts are securely fastened and tightened.
- Keep all combustible items and surfaces at least 36 inches (91.44 cm) away from the grill at all times.
- Do not touch metal parts of grill until it has completely cooled (about 45 minutes) to avoid burns, unless you are wearing protective gear (pot holders, gloves, BBQ mittens, etc...).
- Do not alter this grill in any manner.
- Clean and inspect the hose before each use. If there is evidence of abrasion, wear, cuts, or leaks, the hose must be replaced prior to operating the appliance. The replacement hose assembly will be that which is specified by the manufacturer, listed in the repair parts list in this manual.
- Move gas hoses as far away as possible from hot surfaces and dripping hot grease. Never allow the gas hose to touch heated surfaces.
- Keep the grill's valve compartment, burners and circulating air passages clean. Inspect the grill before each use. Do not obstruct the flow of gas or ventilation air.
- The use of alcohol, prescription or non-prescription drugs may impair the operator's ability to properly assemble or safely operate the grill.
- **Do not leave a lit grill unattended. Keep children and pets away from the grill at all times.**
- Do not place this grill on any type of tabletop surface. The grill should be placed on a flat and level surface.
- Do not use the grill in high winds.









PACKAGE CONTENTS



PART	DESCRIPTION	QUANTITY
A	Bottom Shelf	1
B	Locking Caster	2
C	Caster	2
D	Cart Left Side Panel	1
E	Cart Right Side Panel	1
F	Cart Rear Panel	1
G	Upper Door Brace	1
H	Left Door Assembly	1
I	Right Door Assembly	1
J	Door Handle	2
K	Door Handle Sleeve	4
L	AA Battery	1
M	Main Burner Control Knob (Lg)	4
N	Side Burner Control Knob (Sm)	1

PART	DESCRIPTION	QUANTITY
O	Grill Body	1
P	Left Side Burner Assembly	1
Q	Side Burner Cooking Grate	1
R	Right Shelf Assembly	1
S	Grease Pan	1
T	Grease Cup	1
U	Lid Handle	1
V	Lid Handle Bezel	2
W	Warming Rack	1
X	Heat Tent	4
Y	Cooking Grate	2
Z	Natural Gas Hose Holder	2
A1	Quick Disconnect Coupling	1

HARDWARE CONTENTS (shown actual size)

AA	BB	CC	DD	EE	FF	GG	HH
							
M6 x 12 Screw	Plain Washer	Spring Washer	M4 x 10 Screw	M6 x 20 Screw	M6 x 16 Screw	M4 x 10 Screw	M6x25 Screw
Qty. 29	Qty. 16	Qty. 16	Qty. 14	Qty. 4	Qty. 10	Qty. 4	Qty. 2
			NOTE: Four screws preassembled with bottom shelf			NOTE: GG preassembled in door handles	NOTE: Preassembled in lid handle

PREPARATION

Before beginning assembly of product, make sure all parts are present. Compare parts with package contents list and hardware contents list. If any part is missing or damaged, do not attempt to assemble the product.

Estimated Assembly Time: 50 minutes with 2 people.

Tools Required for Assembly and Leak Testing (not included): Phillips screwdriver, spray bottle

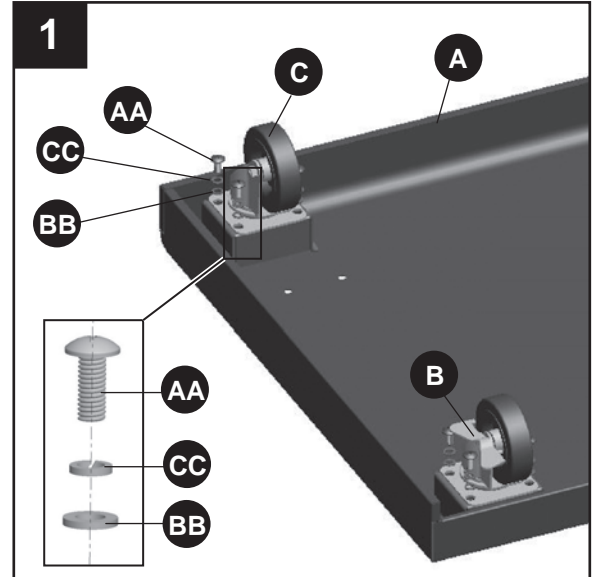
⚠ CAUTION

THIS UNIT IS HEAVY. TWO PEOPLE REQUIRED FOR SAFE ASSEMBLY.

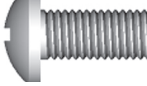


Two people required for safe assembly. Some parts may contain sharp edges. Wear protective gloves if necessary. Read and follow all safety statements, warnings, assembly instructions and use and care instructions before attempting to assemble and use.

ASSEMBLY INSTRUCTIONS

1. Locate the two locking casters (B) and the two standard casters (C). Secure the two locking casters (B) to the rear of the bottom shelf (A) (the area with the bevel) using four screws (AA) inserted through four spring washers (CC), then through four plain washers (BB) and into the threaded holes on the bottom shelf (A). Secure the two standard casters (C) to the front of the bottom shelf (A) using four screws (AA) inserted through four spring washers (CC), then through four plain washers (BB) and into the threaded holes on the bottom shelf (A). Tighten all screws.



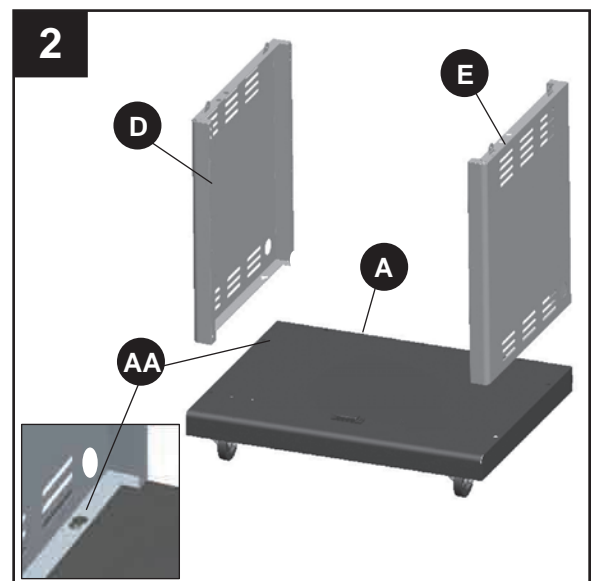
Hardware Used

AA	M6 x 12 Screw		x 16
CC	Spring Washer		x 16
BB	Plain Washer		x 16

2. Insert 4 screws (AA) halfway into threaded holes in bottom shelf (A). Attach the cart left side panel (D) by placing the panel keyholes over the screw heads (AA) on left side of bottom shelf (A). Slide the cart left side panel (D) so that the screw head is over the smaller part of the keyhole. Thread the screw (AA) down snug but do not tighten as some slack will be necessary in following assembly steps. Repeat with cart right side panel (E).

Hardware Used

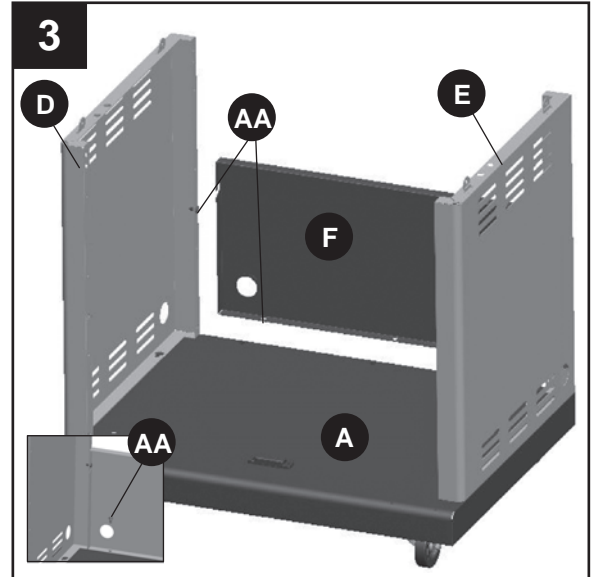
AA	M6 x 12 Screw		x 4
----	---------------	---	-----



ASSEMBLY INSTRUCTIONS

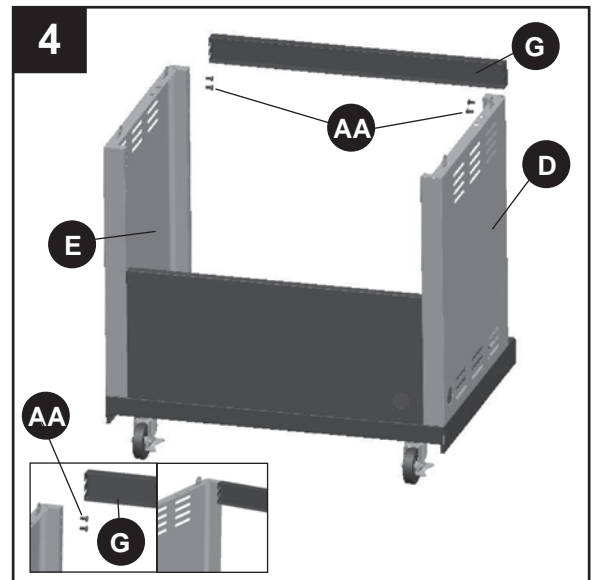
3. Insert one screw (AA) halfway into the middle rear threaded hole on both the cart left side panel (D) and cart right side panel (E). Attach the cart rear panel (F) by sliding the keyholes in the cart rear panel (F) over the inserted screws. Slide the cart rear panel (F) down to meet bottom shelf (A). Secure the cart rear panel (F) to the bottom shelf (A) with 3 screws (AA). Tighten all screws, including the 2 screws in cart side panels (D and E).

Hardware Used



4. Insert 2 screws (AA) halfway into the top front threaded holes of both the cart left side panel (D) and the cart right side panel (E). Attach the upper door brace (G) by sliding the cut-outs in the upper door brace (G) over the 4 screws (AA) and tightening all 4 screws (AA).

Hardware Used



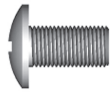
ASSEMBLY INSTRUCTIONS

5. Remove preassembled screws (GG) from the door handles (J). Insert 2 door handle sleeves (K) into the holes located on the back of the left door assembly (H). Insert 2 screws (GG) into the door handle sleeves (K) and into the threaded holes in the door handle (J). Tighten the screws.
Repeat with right door assembly (I).

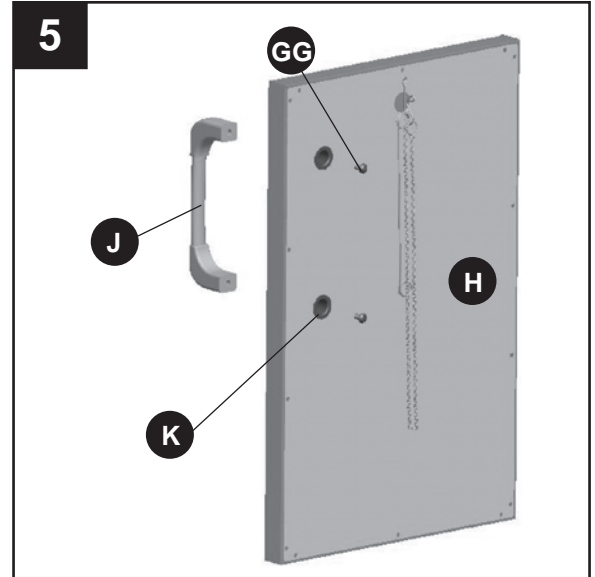
Hardware Used

GG

M4 x 10 Screw
(preassembled)



x 4

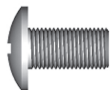


6. Attach the left door assembly (H) to the cart body by aligning the holes in the hinge of the left door assembly (H) with the holes in the cart left side panel (D), inserting 4 screws (DD) and tightening.
Repeat with right door assembly (I).

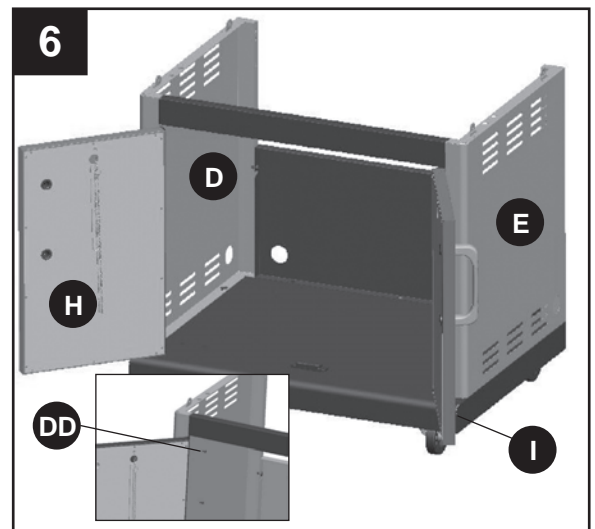
Hardware Used

DD

M4 x 10 Screw



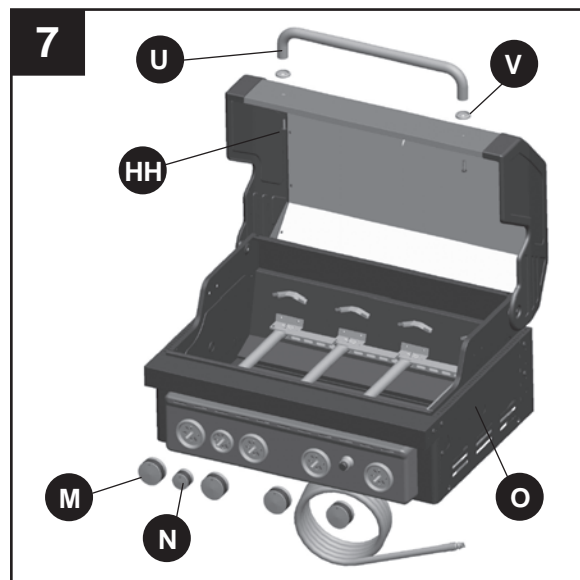
x 8



ASSEMBLY INSTRUCTIONS

7. Slip main burner control knobs (M) and side burner control knob (N) onto the valve stems located on the front control panel of the grill body (O). Remove preassembled screws (HH) from the lid handle (U). Attach the lid handle (U) by inserting two screws (HH) from inside the lid of the grill body (O), through the lid handle bezels (V), into the handle (U) and tightening securely.

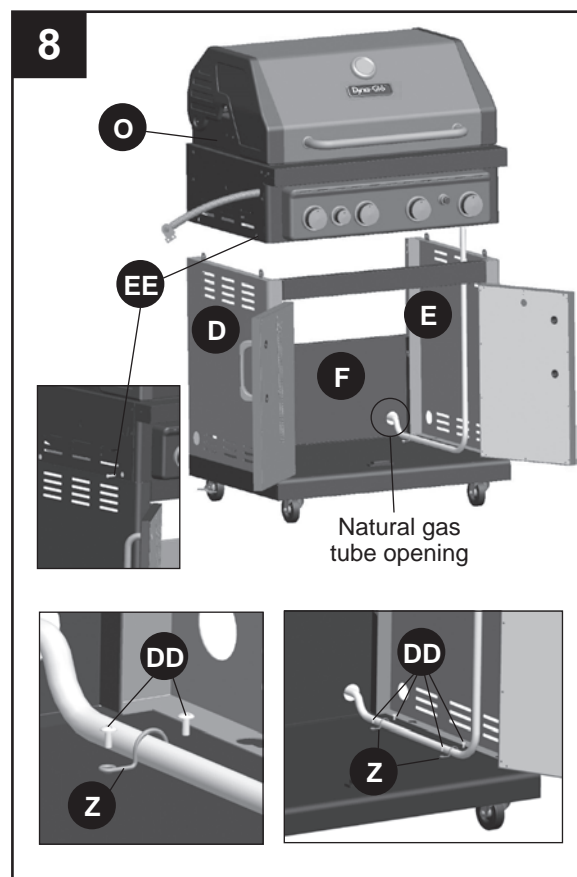
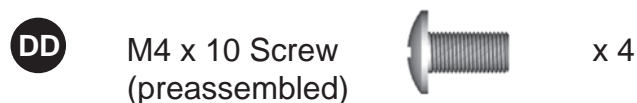
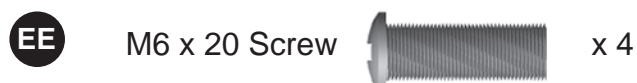
Hardware Used



8. Lock the back two casters to ensure the cart doesn't move. Carefully place the grill body (O) over the mounting tabs on the cart side panels (D and E) and onto the cart. Adjust the grill body (O) so that the holes in the grill body (O) are aligned with the holes in the tabs of the cart side panels (D and E). NOTE: Make sure the natural gas hose drops inside the cart and exits through the opening in the cart rear panel (F). Secure the grill body (O) using 2 screws (EE) on each side.

Install the natural gas hose holders (Z) by removing the screws (DD) from the predrilled holes in the the bottom shelf (A), aligning the natural gas hose holders (Z) with the predrilled holes and over the natural gas hose, then securing with the screws (DD).



Hardware Used



ASSEMBLY INSTRUCTIONS

9. Attach two screws (FF) to the grill body (O) as illustrated. Do not fully tighten screws (leave approximately 5 mm). Align the key holes in the left side burner assembly (P) with the two screws (FF) just installed in the grill body (O) and tighten screws. Insert three screws (FF) in the remaining holes in the supports and tighten. Align the side burner tubing with the side burner orifice and insert into the side burner orifice. Use 2 screws (DD) to secure the side burner orifice and side burner orifice support to the side burner support. Attach the ignition wiring to the electrode. Align the key holes on the burner tray with the side burner cooking grate (Q) and set in place.

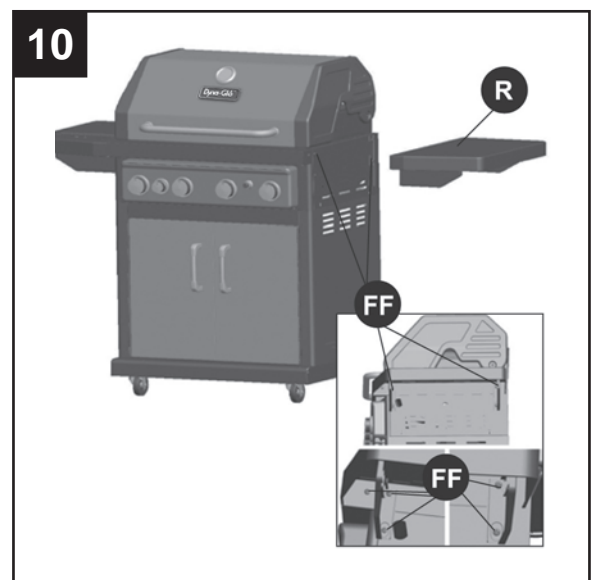
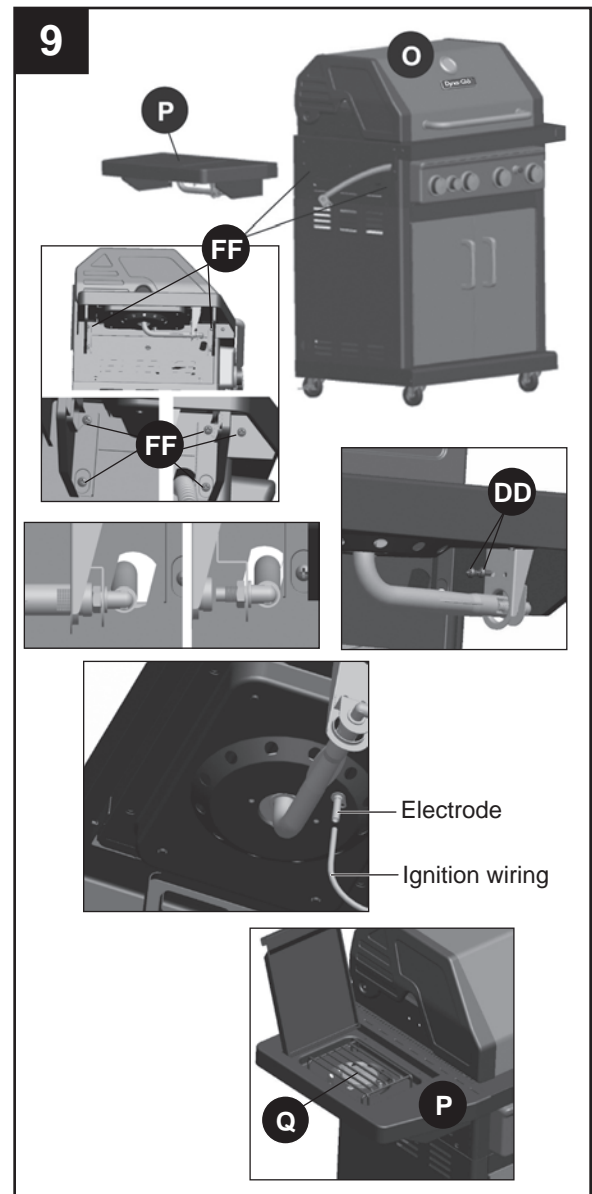
Hardware Used

- DD** M4 x 10 Screw  x 2
- FF** M6 x 16 Screw  x 5

10. Install two screws (FF) on the grill body (O). Do not fully tighten. (Leave approximately 5 mm). Align the key holes in the right shelf assembly (R) with the two screws (FF) just installed in the grill body (O) and tighten screws. Insert three screws (FF) in the remaining holes in the supports and tighten.

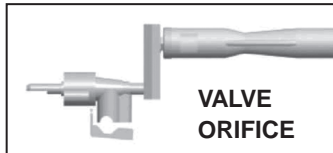
Hardware Used

- FF** M6 x 16 Screw  x 5

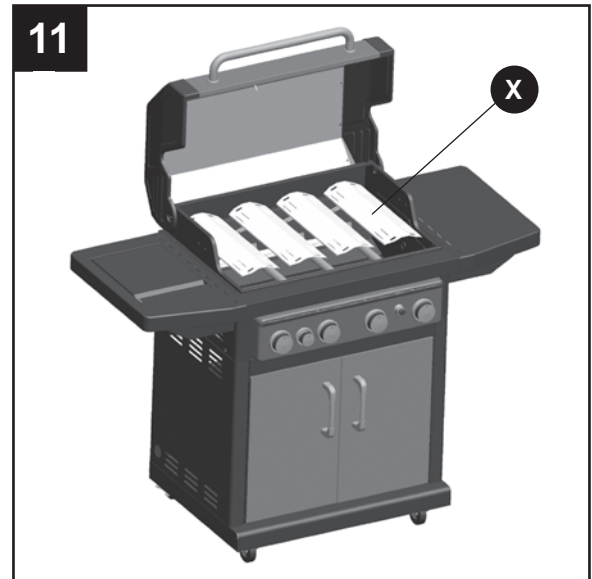


ASSEMBLY INSTRUCTIONS

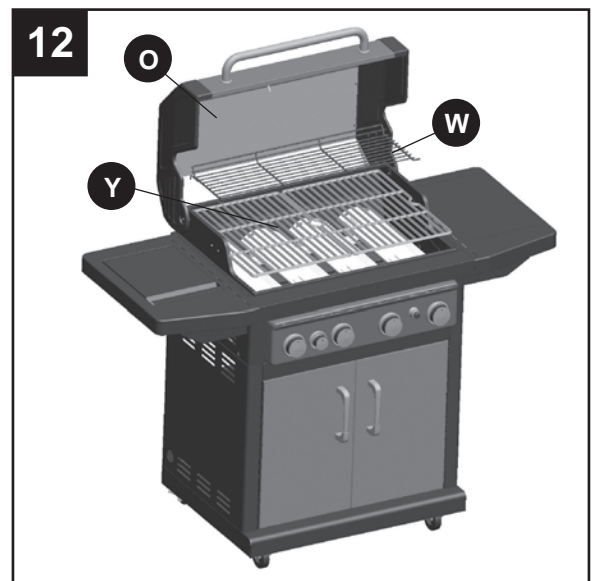
⚠ WARNING: IT IS VERY IMPORTANT TO CHECK AND ENSURE THAT EACH AND EVERY BURNER IS FULLY ENGAGED WITH THE ADJACENT VALVE ORIFICE BEFORE COMPLETING STEP 11. FAILURE TO DO SO MAY RESULT IN FIRE OR EXPLOSION, POSSIBLY CAUSING SERIOUS INJURY OR DEATH. REFER TO MAINTENANCE SECTION INSTRUCTIONS TO PROPERLY CHECK THE ENGAGEMENT.



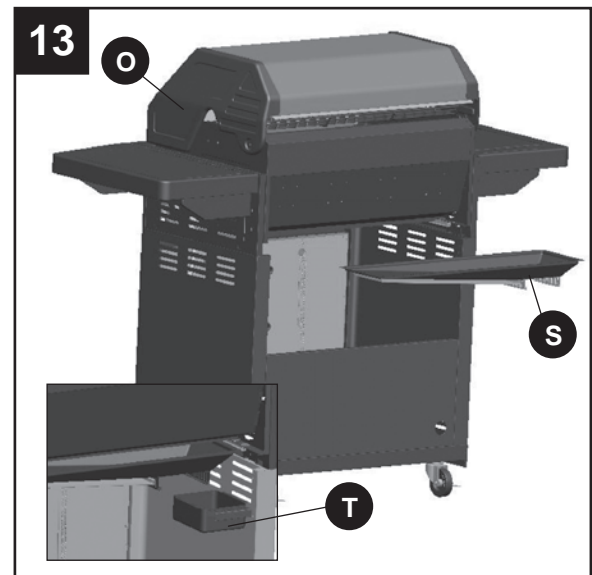
11. Open the lid and place the four heat tents (X) on the brackets directly above the burners.



12. Place cooking grates (Y) on the grill body braces and grill rear panel, then insert the warming rack (W) into the 2 holes located on the back edge of the grill body (O).

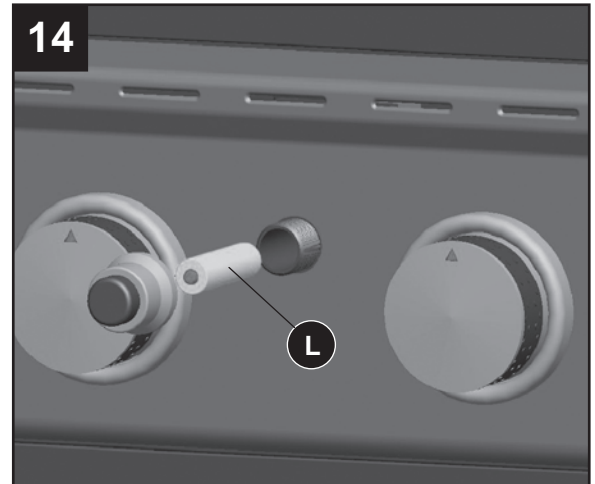


13. Insert the grease pan (S) into position by sliding it in the grill body (O) from the rear along the rails located just below the underside of the grill body (O). Insert the grease cup (T) into position by sliding it onto the rails located on the bottom side of the grease pan (S).



ASSEMBLY INSTRUCTIONS

14. Remove the igniter cap by turning it counter-clockwise. Insert the AA battery (L) into the igniter body with Positive (+) end facing out. Replace the igniter cap.

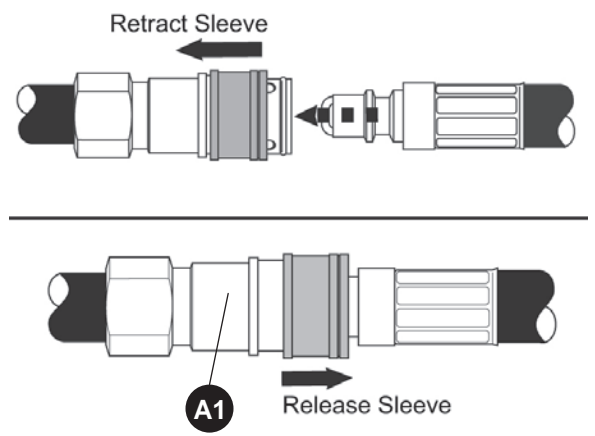


CONNECTING THE GRILL TO THE NATURAL GAS SUPPLY

- The quick disconnect socket (A1) and supply gas line must be installed by a qualified service agency. The supply connection must be made in accordance with local codes or, in the absence of local codes, with either the National Fuel Gas Code, ANSI Z223.1/NFPA 54, in the USA, or the Natural Gas and Propane Installation Code, CSA B149.1, in Canada.
- A properly sized manual shutoff valve must be installed between the grill and the gas supply piping.
- The grill and its individual shutoff valve must be disconnected from the gas supply piping system during any pressure testing of that system at test pressures in excess of 0.5 PSI (3.5 kPa).
- The grill must be isolated from the gas supply piping system by closing its individual manual shutoff valve during any pressure testing of the gas supply piping system at test pressures equal to or less than 0.5 PSI (3.5 kPa).
- Always connect the flexible gas supply hose to the gas supply before opening the manual shutoff valve.

TO CONNECT:

1. Ensure that the manual gas shutoff valve is closed.
2. Remove the protective rubber caps from the plug and sleeve ends of the quick disconnect fittings. Check that the fittings are clean.
3. Retract the sleeve on the coupling as illustrated.
4. Insert the plug and release the sleeve as illustrated.
5. Push the plug into the sleeve until the sleeve snaps forward to lock the plug in the coupling.
6. Open the manual gas shutoff valve.



TO DISCONNECT

1. Close the manual shutoff valve.
2. Push the sleeve back and gently pull out the plug.
3. Replace the protective rubber caps on the plug and sleeve ends of the quick disconnect couplings.

⚠ WARNING

In the connection process, make sure:

- The gas supply hose does not come in contact or remain in contact with the firebox.

CHECKING FOR LEAKS

After all connections are made, check all connections and fittings on the natural gas quick connector, gas hose and manifold for leaks with a water and soap solution.

To prevent fire or explosion while testing for a leak:

- Always perform leak test prior to lighting the grill.
- Do not smoke while testing for a leak.
- Always perform leak tests outdoors in a well-ventilated area.
- Do not use any source of flame while testing for leaks.
- Do not use the grill until any and all leaks are corrected.
- If you are unable to correct a leak, close the manual gas shutoff valve and call a gas appliance service agency.

PERFORM LEAK TEST

- Prepare leak test solution by combining 1 part liquid dish soap with 3 parts water. Total solution required is approximately 2 - 3 ounces (70 - 90 ml). Put leak test solution in a spray bottle.
- Ensure all control knobs are in the 'OFF' position.
- Connect the gas hose to the gas supply.
- Open the gas shutoff valve.
- Spray leak test solution on all gas carrying connections and fittings. Presence of bubbles at areas of applied test solution indicates a gas leak. If leaks are detected or you smell or hear gas, shut off the gas supply valve immediately and repair or replace the defective part. Do not use the grill until all leaks are corrected.

⚠ CAUTION

Only use the hose assembly provided! If a replacement is necessary, please call our customer service center. Do not use replacement parts that are not intended for this grill.

⚠ WARNING

ALL INSTRUCTIONS AND SAFEGUARDS ON THIS PAGE MUST BE FOLLOWED TO PREVENT FIRE, DAMAGE AND/OR INJURY.

OPERATING INSTRUCTIONS

LIGHTING THE GRILL

Before first use:

Remove all hangings or plastic straps, if present. Before you cook on your new gas grill, it is important to clean your grill with heat. To do this, operate the grill for approximately 15 minutes with the lid closed and the control knob in the highest position. This will clean the internal parts by burning off any residue and odor from the manufacturing process.

⚠ CAUTION

If the flame extinguishes accidentally during ignition or operation, immediately **TURN OFF** the manual gas shutoff valve and then **TURN OFF** the control knob.


⚠ WARNING

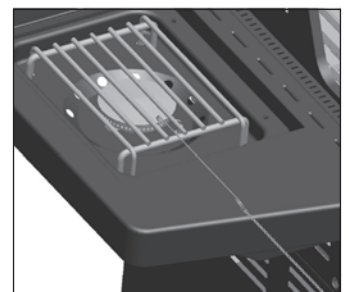
Do not lean over grill when lighting. Read instructions before lighting.

1. Check that the control knobs are in the **OFF** position.
2. Open natural gas shutoff valve.
3. Open lid during lighting.
4. Push igniter down 3 to 4 seconds while turning right side control knob to the **HIGH** position. The burner should ignite.
If ignition does not take place within 5 seconds, immediately turn the control knob to the **OFF** position. Wait 5 minutes and repeat Step 4 above or refer to match lighting instructions below.
5. Repeat Step 4 above to ignite left side burner.


If the burner still does not light, check that the manual gas shutoff valve is open and follow the match lighting instructions.

LIGHTING THE GRILL WITH A MATCH

1. Insert a match in the end of the match holder that is installed on the inside of the cabinet door.
2. Light the match.
3. Immediately place the lit match through the 0.75 inches (20 mm) hole on the side of the grill body, nearest the left burner. Make sure the lit match is close to the burner ports.
4. Press in the control knob that operates the left burner and rotate counter-clockwise  to **High** position and burner should light immediately.
5. The other main control can now be turned on the **High** position and will light via crossover port.
6. Adjust burners to desired cooking settings.



SHUTDOWN INSTRUCTIONS

1. Turn control knobs  clockwise to the **OFF** position.
2. Close manual gas shutoff valve.
3. Close lid.

Turn off manual gas shutoff valve when appliance is not in use.

CARE AND MAINTENANCE

COOKING GRATES

The best time to burn-off the cooking grates is after every use (approx. 15 minutes). The grill is already hot from cooking thus requiring less fuel to obtain necessary temperature for burn-off.

To burn-off or heat clean your grill, turn the burners to highest position and run for 15 minutes with the lid closed. Then turn off the burners and use a wire brush to clean excess food residue from the grates.

The porcelain grates have an enamel finish (similar to glass) and should be handled with care not to chip.

⚠ CAUTION

Ensure the grill is cool before cleaning and conducting maintenance and with the gas supply turned off at the manual gas shutoff valve.

RECOMMENDED CLEANING SUPPLIES

Mild liquid dish soap, warm water, nylon cleaning pad, wire brush

DO NOT use cleaners that contain acid, mineral spirits or any abrasive substance.

OUTSIDE SURFACES

It is recommended to use only mild dish soap and hot water to clean grill and grill parts.

Rinse with warm water.

INSIDE BOTTOM PAN OF GRILL BODY

To avoid flare-ups, the bottom pan of the cooking box should be kept clean on a regular basis.

Remove residue using a brush, scraper and/or cleaning pad. Wash with mild dish soap and warm water. Rinse with warm water. Avoid water splashing into venturi tubes of burners.

HEAT TENTS

Clean residue with wire brush and wash with mild dish soap and warm water. Rinse with warm water.

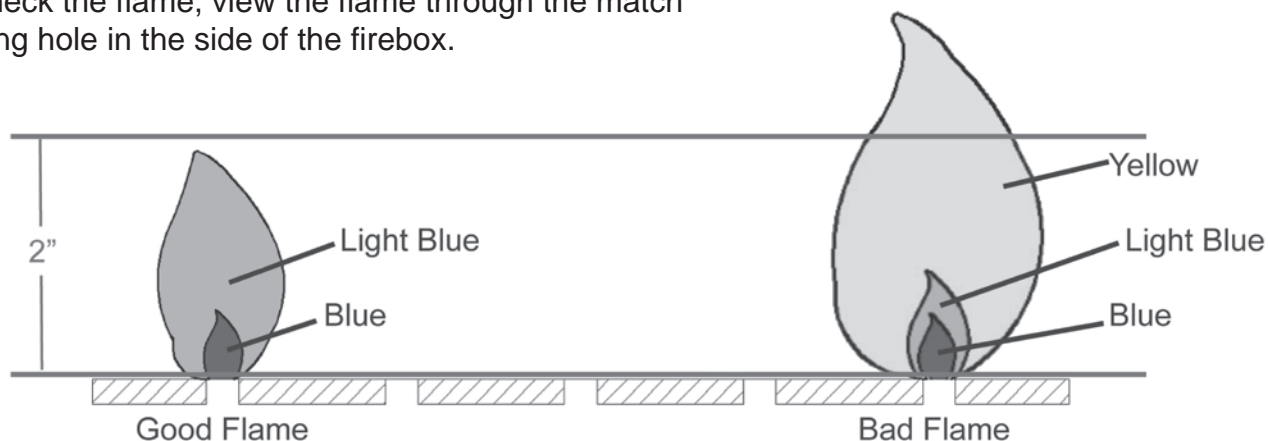
GREASE CUP

Empty the grease cup and clean with mild dish soap and warm water on a regular basis.

CHECKING THE FLAME

For maximum fuel efficiency and cooking performance, flame should be mostly or all blue in color and be between 1 - 2 inches high.

To check the flame, view the flame through the match lighting hole in the side of the firebox.

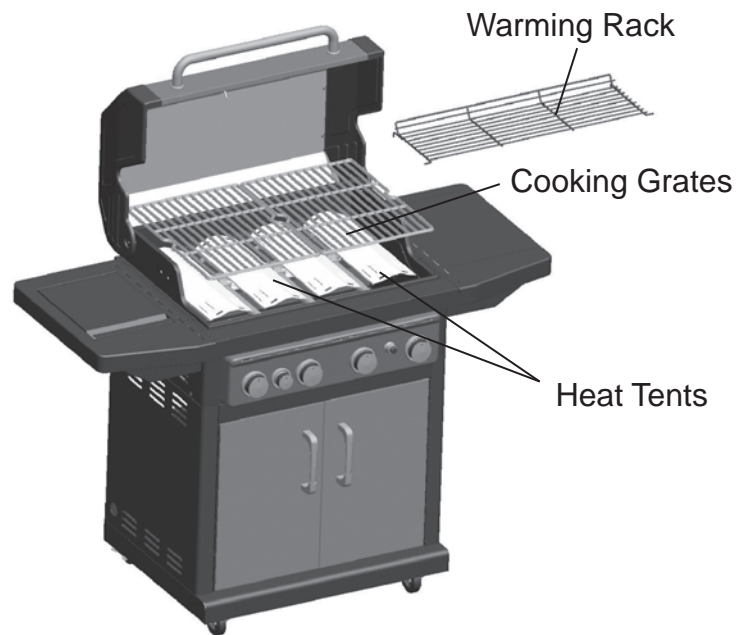


CARE AND MAINTENANCE

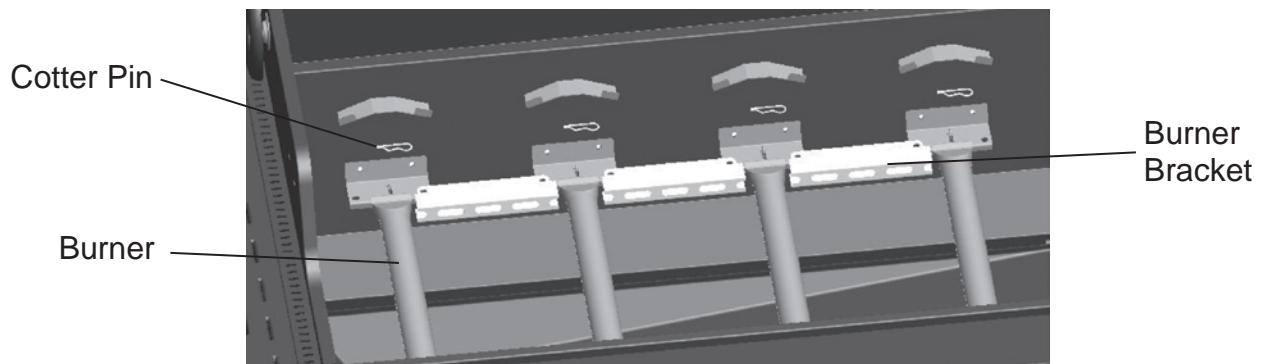
BURNER ASSEMBLY

REMOVING THE BURNER ASSEMBLY

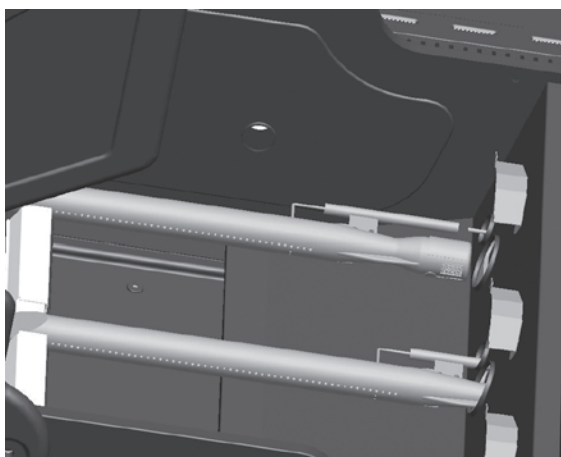
1. Make sure all control knobs are in the OFF position, gas supply valve is closed, and the gas hose is disconnected from the gas supply.
2. Open lid and remove warming rack, cooking grates, and heat tents.



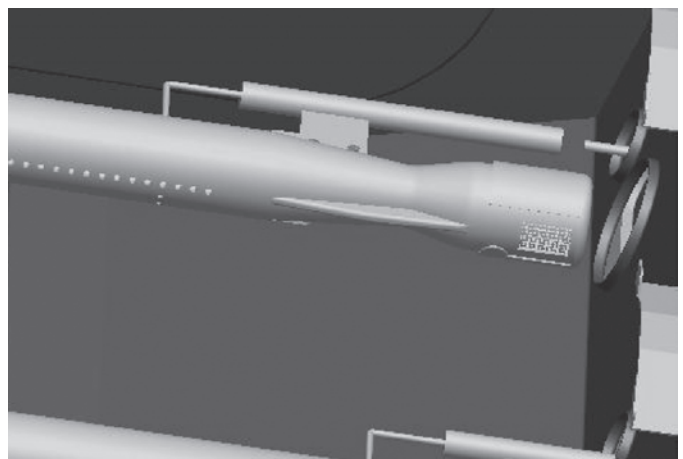
3. Remove cotter pins at back of burners to detach burners from brackets.



4. Slide burners out of firebox as shown.



5. Detach ignition wire from ignitor as shown.



CARE AND MAINTENANCE

CLEANING THE BURNER ASSEMBLY

– Make sure the grill is cool

1. Turn gas off at the manual gas supply valve.
2. Disconnect gas supply hose.
3. Remove warming rack, cooking grates and heat tents.
4. Detach burner by removing the cotter pins at the back of the burners to detach them from the brackets.
5. Detach ignition wire from electrode by hand only. DO NOT use pliers or any other tool as it may damage the electrode or wire.
6. Lift burner slowly.
7. Ensure all burner ports are clear of clogs. Use of a pin or paper clip works well.
8. Ensure burner is free of any damage. If damage is found, replace with new burner.
9. Ensure the end of the burner and primary air screen are clear from insect nests, dirt or debris.

RE-INSTALLING THE BURNER

Ensure that gas valve orifices are correctly positioned inside burner inlet (venturi).

The use of a flashlight may be necessary to ensure the correct position.

It is recommended to view the correct position through the firebox vent holes as illustrated below.



⚠ WARNING

If the instructions above are not followed, a fire or explosion may result, possibly causing serious bodily injury or death.

OTHER CARE AND MAINTENANCE

- It is recommended that inspection and service on this appliance be conducted annually by a qualified service person.
- It is recommended that you regularly check that the outdoor cooking appliance area is clear and free from combustible material, gasoline and other flammable vapors and liquids.
- It is recommended that you regularly check that the flow of combustion and ventilation air is not obstructed.
- It is recommended that you regularly check that the ventilation openings of the grill cabinet are free and clear from debris.
- It is recommended that you regularly check and clean the burner/venturi tubes for insects and insect nests. A clogged tube can lead to a fire beneath the grill.

CARE AND MAINTENANCE

The electronic ignition requires 1 “AA” alkaline battery, which is included.

!WARNING

DO NOT mix old and new batteries.
DO NOT mix alkaline, standard (Carbon-Zinc), or rechargeable (Nickel-Cadmium) batteries.
DO NOT dispose of batteries in fire. Improper disposal may cause batteries to leak or explode.

TROUBLESHOOTING

If you have any questions regarding the product, please call customer service at 1-877-447-4768, 8:30 a.m. – 4:30 p.m., CST, Monday – Friday.

PROBLEM	POSSIBLE CAUSE	CORRECTIVE ACTION
The burner will not light using the ignitor procedure (weak or no spark being generated).	<ol style="list-style-type: none">1. The igniter electrode may be covered with grease or residue.2. The igniter electrode may have a loose or disconnected wire.3. Cracked or broken ignition electrode.4. Dead battery or faulty battery connection.	<ol style="list-style-type: none">1. Clean the ignitor electrode.2. Check the connection and reconnect any loose or disconnected wires.3. Replace ignition electrode (see Replacement Parts List).4. Perform any of the following:<ol style="list-style-type: none">a. Replace battery.b. Check to see if battery is inserted correctly.c. Check for any corrosion around battery terminals.d. Check wire connections as stated above.
Excessive flare-ups.	<ol style="list-style-type: none">1. Grease and/or residue build-up on heat tents or in firebox.2. Excessive dripping of fat or marinade from food.3. Cooking temperature too high.	<ol style="list-style-type: none">1. Clean the grill components.2. Trim the fat from meat and use non-oil based marinades.3. Lower temperature accordingly.

TROUBLESHOOTING

PROBLEM	POSSIBLE CAUSE	CORRECTIVE ACTION
The burner will not light with a match.	<ol style="list-style-type: none"> 1. Match not reaching burners (when holding match with hand). 2. Gas supply shut off. 3. Poor connection between gas hose plug fitting and sleeve coupling. 4. Burner inlet blocked. 	<ol style="list-style-type: none"> 1. Use match holder found in cabinet door. 2. Check that the manual gas supply shutoff valve is open. 3. Turn off the grill knobs, close the gas supply shutoff valve and check the connection between the plug and sleeve coupling. Disconnect and reconnect, if necessary. 4. Clean the burner inlet (venturi) and burner as described by the Care and Maintenance section in the manual.
No gas flow or an obstructed gas flow.	<ol style="list-style-type: none"> 1. Gas supply shut off. 2. Poor connection between gas hose plug fitting and sleeve coupling. 3. Burner inlet blocked. 	<ol style="list-style-type: none"> 1. Check that the manual gas supply shutoff valve is open. 2. Turn off the grill knobs, close the gas supply shutoff valve and check the connection between the plug and sleeve coupling. Disconnect and reconnect, if necessary. 3. Clean the burner inlet (venturi) and burner as described by the Care and Maintenance section in the manual.
Low heat.	<ol style="list-style-type: none"> 1. Insufficient gas pressure to the unit. 	<ol style="list-style-type: none"> 1. Call a qualified service agency to check the gas supply pressure and correct the pressure.

LIMITED WARRANTY

1-Year Limited Warranty

This natural gas grill is warranted for 1 year (5 years on the Stainless Steel burners) against broken or damaged parts at the time of purchase. It is warranted to be free of defects. Paint is warranted to be free of defects except for rust, which may appear after repeated use.

This warranty does not cover damage or issues related to neglect, abuse, or modifications to the appliance. Repair labor is not covered.

All parts that meet the warranty requirements will be shipped at no charge via the discretion of the manufacturer (ground shipments, US Mail, or Parcel Post ONLY). Any special handling charges (i.e. Second Day, overnight, etc.) will be the responsibility of the consumer.

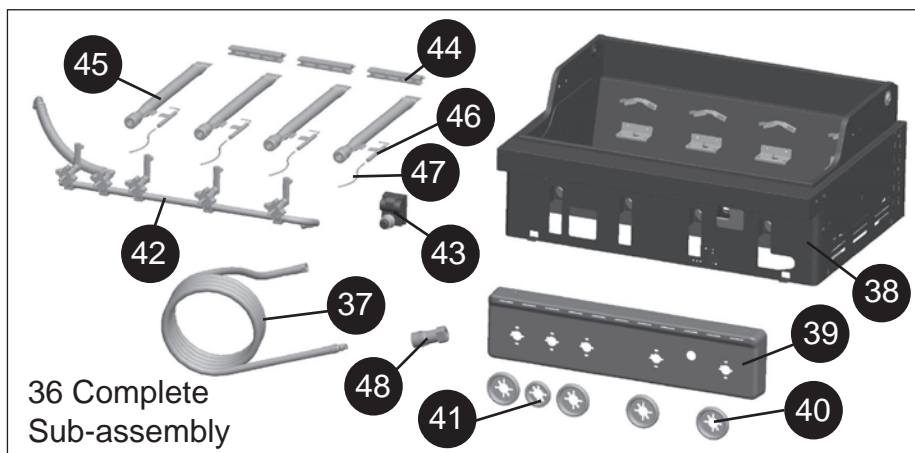
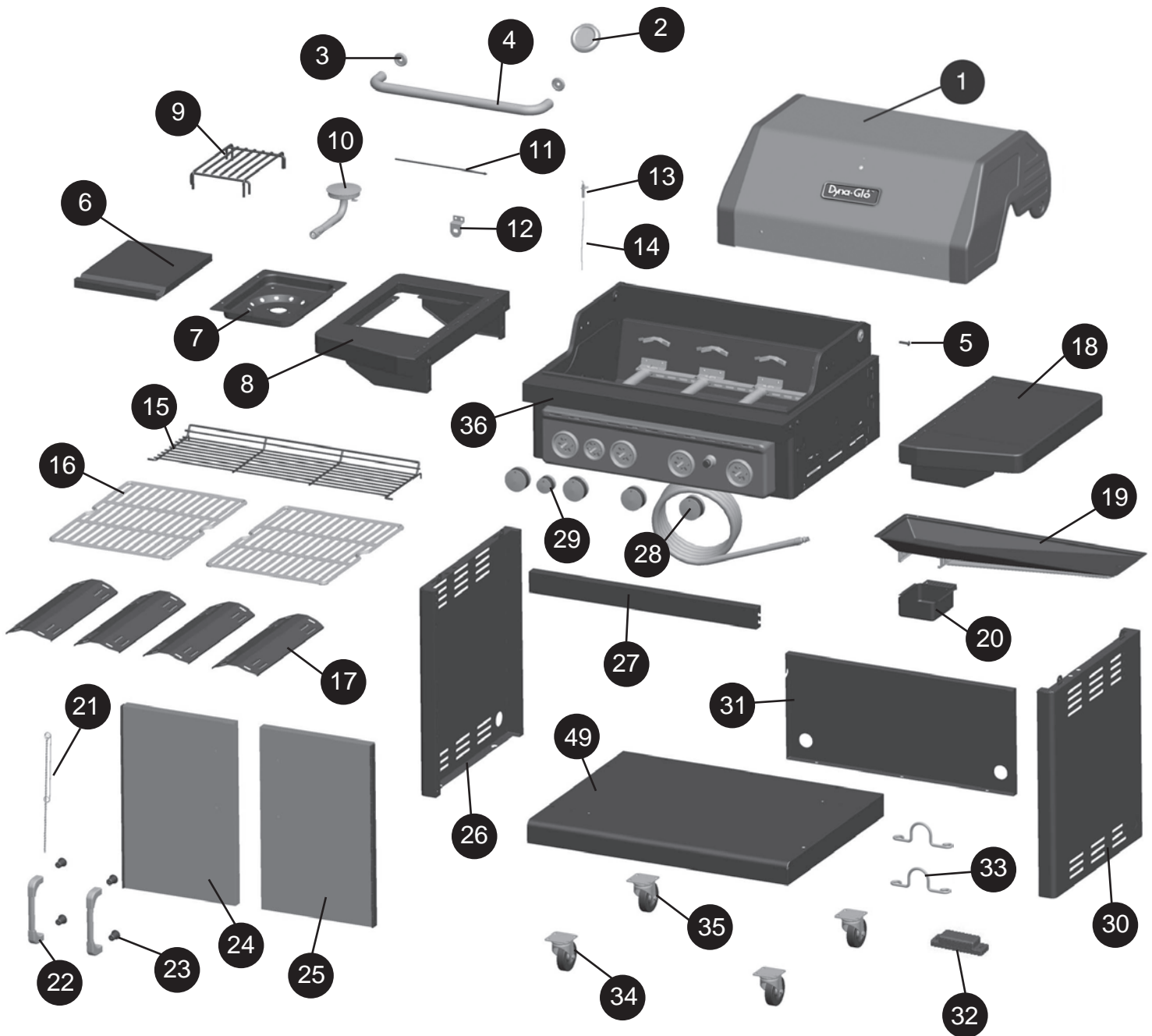
All warranty claims apply only to the original purchaser and require a proof of purchase verifying purchase date. Do not return parts without first obtaining a return authorization number from our customer service. This service is available by calling toll free at 1-877-447-4768, 8:30 a.m. – 4:30 p.m., CST, Monday – Friday.

NOTICE: Some states do not allow the exclusion or limitation of incidental or consequential damages or limitations on how long an implied warranty lasts, so the above limitations or exclusions may not apply to you. This warranty gives you specific legal rights and you may also have other legal rights which may vary from state to state.

GHP Group, Inc.
6440 W. Howard St.
Niles, IL, USA
60714-3302

Item Name: 4-Burner Natural Gas Grill with Side
Burner Model #: DGA480SSN/DGA480SSN-D
Rated BTU: 60,000 BTU/Hr

REPLACEMENT PARTS LIST



REPLACEMENT PARTS LIST

For replacement parts, call our customer service department at 1-877-447-4768, 8:30 a.m. – 4:30 p.m., CST, Monday – Friday.

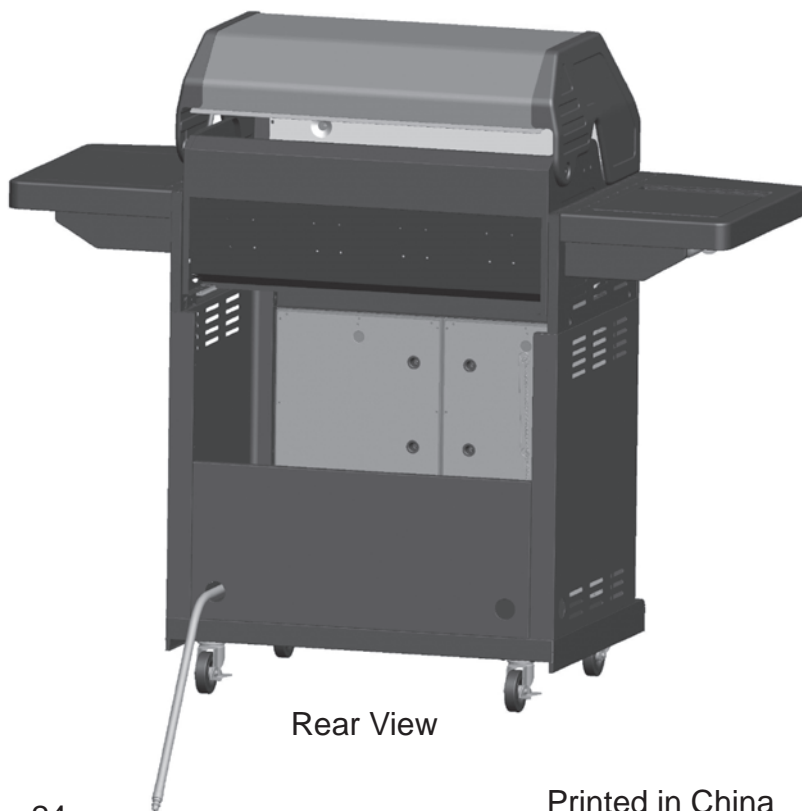
PART	DESCRIPTION	PART #
1	Grill lid assembly	70-01-115
2	Temp gauge and nut	102-02005
3	Bezel for 25 mm lid handle (pack of 1)	101-12004
4	25 mm diameter lid handle – includes screws to attach	113-12003
5	Lid pivot pins - with cotter pins (pack of 2)	101-02007
6	Side table cover	113-04004
7	Side table pan	113-14004
8	Side table - left	113-14003
9	Side burner grate	103-04006
10	Side burner with venturi tube - with screws to attach	123-04005
11	Side burner hinge pin (pack of 1)	113-24004
12	Side burner valve retaining bracket	113-14005
13	Ignition electrode - side burner	113-03022
14	Ignition wire - side burner	113-03019
15	Warming rack	113-03016
16	Cooking grate (pack of 1)	113-03015
17	Heat tent (pack of 1)	113-03005
18	Side table assembly - right	103-04001
19	Grease pan	113-04013
20	Grease cup	102-04014
21	Match holder - with chain and screw to attach	101-04019
22	Cart front door handle (includes screws to attach)	101-01017-00
23	Cart front door handle sleeve (pack of 1)	102-04021
24	Cart front door assembly - left - no handle	70-01-106
25	Cart front door assembly - right - no handle	70-01-107
26	Cart side panel - left	102-04009
27	Cart front upper door brace	103-04009
28	Control knob - main burners (pack of 1)	102-03009
29	Control knob - side burner	103-03011
30	Cart side panel - right	113-04010
31	Cart rear panel	103-04008
32	Door magnet	113-14020
33	Natural gas tube holder	123-04012
34	3 in. caster - regular - with 4 screws/flat washers/spring washers	103-04018
35	3 in. caster - locking - with 4 screws/flat washers/spring washers	103-04017
36	Firebox assembly - includes burners/natural gas valve & manifold assembly/natural gas hose & control panel/electronic ignition/ignition wire and electrode	70-01-110
37	3/8 in. natural gas hose - 10 feet	123-03009
38	Firebox assembly - includes lid bumpers	113-13002
39	Control panel	70-01-109
40	Control knob bezel - main burners (pack of 1)	102-03010
41	Control knob bezel - side burners (pack of 1)	103-03014
42	Natural gas valves & manifold	123-03007

REPLACEMENT PARTS LIST

PART	DESCRIPTION	PART #
43	Electronic ignitor	113-03023
44	Ignition carry-over tube	113-13023
45	Burner - main	123-03003
46	Ignition electrode - main burner	113-03020
47	Ignition wire - main burner	113-03017
48	Quick disconnect coupling	123-06001
49	Cart bottom shelf	123-04007
n/a	Hardware pack	113-05001
n/a	Owner's/instruction manual	70-10-058



Front View



Rear View

Dyna-Glo™ BARBECUE AU GAZ NATUREL À QUATRE BRÛLEURS AVEC BRÛLEUR LATÉRAL

MODÈLE #DGA480SSN/DGA480SSN-D



C US

ANS Z21.58b-2012
CSA 1.6b-2012

Pour la cuisson à l'extérieur
Appareil au gaz

JOIGNEZ VOTRE REÇU ICI

Numéro de série _____ Date d'achat _____



Des questions, des problèmes, des pièces manquantes? Avant de retourner l'article au détaillant, appelez notre service à la clientèle au 1-877-447-4768, 08:30-16 heures 30, HNC, du lundi - vendredi ou par e-mail à customerservice@ghpgroupinc.com.

TABLE DES MATIÈRES

Consignes de sécurité	27
Contenu de l'emballage	29
Quincaillerie incluse	30
Préparation	30
Instructions pour l'assemblage	31
Mode d'emploi	39
Entretien	40
Dépannage	43
Garantie	45
Liste des pièces de rechange	46

Assembleur ou installateur : Le présent manuel contient des renseignements importants qui permettent d'assembler l'appareil de façon adéquate et de l'utiliser en toute sécurité. Avant d'assembler et d'utiliser cet appareil, lisez et suivez tous les avertissements ainsi que toutes les instructions. **Remettez ces instructions au consommateur.**

Consommateur ou utilisateur : Lorsque vous utilisez cet appareil, suivez tous les avertissements et toutes les instructions. **Veillez conserver les présentes instructions aux fins de consultation ultérieure.**



DANGER :

S'il y a une odeur de gaz:

- 1. Coupez l'admission de gaz de l'appareil.**
- 2. Éteindre toute flamme nue.**
- 3. Ouvrir le couvercle.**
- 4. Si l'odeur persiste, éloignez-vous de l'appareil et appelez immédiatement le fournisseur de gaz ou le service d'incendie.**



AVERTISSEMENT :

1. Ne pas entreposer ni utiliser de l'essence ni d'autres vapeurs ou liquides inflammables dans le voisinage de l'appareil, ni de tout autre appareil.
2. Une bouteille de propane qui n'est pas raccordée en vue de son utilisation, ne doit pas être entreposée dans le voisinage de cet appareil ou de tout autre appareil.
3. Ce barbecue est conçu pour usage à l'extérieur seulement. Ne pas utiliser ni entreposer la bouteille dans un bâtiment, un garage, un auvent ou un endroit fermé.
4. Ne laissez pas un barbecue allumé sans surveillance. Gardez le barbecue hors de la portée des enfants et des animaux en tout temps.

CONSIGNES DE SÉCURITÉ

Assurez-vous de lire et de comprendre l'intégralité de ce manuel avant de tenter d'assembler, d'utiliser ou d'installer le produit. Si vous avez des questions concernant ce produit, veuillez téléphoner au service à la clientèle au at 1-877-447-4768, 08:30-16 heures 30, HNC, du lundi - vendredi.

DANGER

N'utilisez pas le barbecue dans un endroit présentant un risque d'explosion. Assurez-vous que l'espace autour du barbecue est propre et exempt de matériaux combustibles, d'essence et d'autres vapeurs ou liquides inflammables.

PROPOSITION 65 DE LA CALIFORNIE

Les combustibles utilisés dans les appareils de chauffage au gaz ou à l'huile, et les produits de combustion contiennent des produits chimiques reconnus par l'État de la Californie comme étant la cause de cancers et d'anomalies congénitales et d'autres problèmes liés aux fonctions reproductrices. Cet appareil contient des produits chimiques, notamment du plomb et des composés de plomb, reconnus par l'État de la Californie comme étant la cause de cancers, d'anomalies congénitales et d'autres problèmes liés aux fonctions reproductrices. **Lavez-vous les mains après l'avoir manipulé.**

MISE EN GARDE

- N'utilisez jamais de gaz d'allumage pour charbon de bois ou d'essence à briquet avec ce barbecue.
- N'utilisez pas d'essence, de kérosène ni d'alcool pour l'allumage.
- Ce barbecue n'est pas destiné à être utilisé ou installé sur un véhicule récréatif ou un bateau.
- Ouvrez toujours le couvercle du barbecue lentement et avec précaution, car la chaleur et la vapeur emprisonnées qui s'en échappent peuvent causer des brûlures graves.
- N'essayez jamais de faire fonctionner ce barbecue avec du propane.
- Demandez toujours à un service d'entretien autorisé d'installer toute la tuyauterie d'alimentation en gaz nécessaire, la vanne d'arrêt manuel et les raccords à branchement rapide.

! AVERTISSEMENT

• Ne pas utiliser cet appareil sous une surface combustible ou un auvent. Dégagement minimal entre les parois latérales et l'arrière de l'appareil et la construction combustible (914,4 mm (36 po) à partir des parois latérales et 914,4 mm (36 po) à partir de l'arrière).

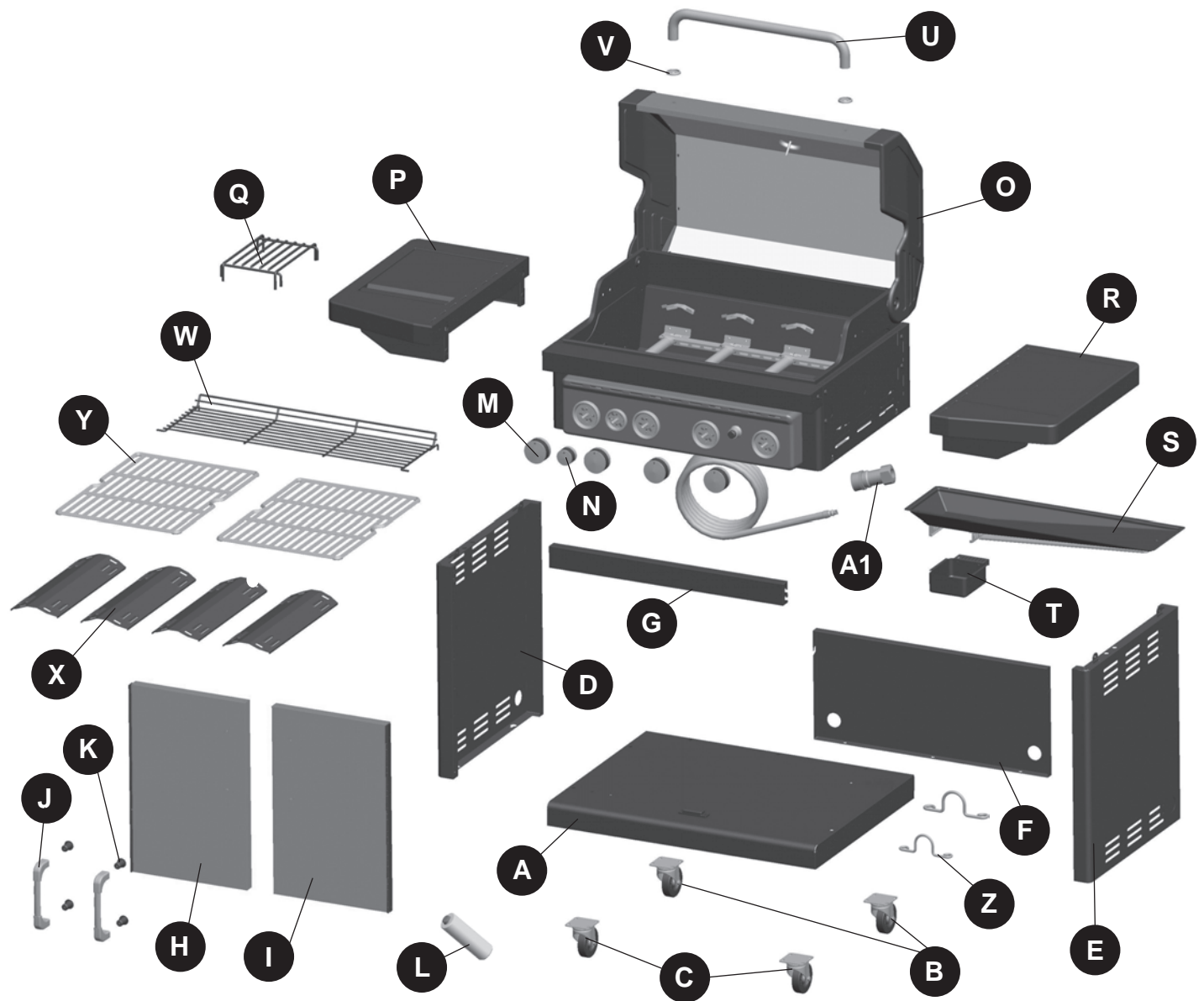
REMARQUE : L'installation doit être effectuée conformément à la réglementation locale ou, en l'absence d'une telle réglementation, au National Fuel Gas Code, ANSI Z223.1/NFPA 54, Natural Gas and Propane Installation Code, CSA B149.1, ou au Propane Storage and Handling Code, B149.2.



! MISE EN GARDE

- Ne pas entreposer ni utiliser de l'essence ni d'autres vapeurs ou liquides inflammables dans le voisinage de l'appareil, ni de tout autre appareil. Ne rangez aucun produit inflammable dans le chariot du barbecue.
- Une bouteille de propane qui n'est pas raccordée en vue de son utilisation, ne doit pas être entreposée dans le voisinage de cet appareil ou de tout autre appareil.
- Ce barbecue est conçu pour être alimenté par du gaz naturel seulement.
- Ne tentez jamais de raccorder ce barbecue au système autonome d'alimentation en gaz propane d'un bateau d'une caravane, d'une autocaravane ou d'une résidence.
- Ne tentez jamais de déplacer le barbecue lorsqu'il est allumé ou toujours chaud. Verrouillez toujours les roulettes avec frein lorsque vous ne déplacez pas le barbecue.
- N'utilisez pas le barbecue tant qu'il n'est pas complètement assemblé et tant que toutes les pièces ne sont pas fixées et serrées solidement.
- Maintenez tout objet ou toute surface combustible à une distance d'au moins 91,44 cm (36 po) du barbecue, et ce, en tout temps.
- Ne touchez pas les éléments en métal du barbecue avant que celui-ci ne soit complètement refroidi (environ 45 minutes) afin d'éviter les brûlures, à moins d'utiliser des articles de protection (poignées, gants, mitaines pour le barbecue, etc.).
- Ne modifiez ce barbecue d'aucune façon.
- Nettoyez et inspectez le tuyau avant chaque utilisation. Si vous constatez des signes d'abrasion ou d'usure, ou s'il est coupé ou qu'il fuit, il est important de le remplacer avant de faire fonctionner l'appareil. Vous devez utiliser l'ensemble de tuyau de remplacement précisé par le fabricant, lequel est indiqué dans la liste des pièces de rechange de ce manuel.
- Éloignez les tuyaux à gaz le plus loin possible des surfaces chaudes ou des débordements de graisse chaude.
- Assurez-vous que le compartiment du robinet du barbecue, ses brûleurs et les conduits d'aération sont toujours propres. Inspectez le barbecue avant chaque utilisation. N'entravez pas le flux de gaz ou d'air de la ventilation.
- L'alcool, les médicaments sous ordonnance et les médicaments vendus sans ordonnance peuvent affecter les facultés de l'utilisateur, l'empêchant d'assembler ce barbecue correctement ou de l'utiliser de manière sécuritaire.
- **Ne laissez pas un barbecue allumé sans surveillance. Gardez le barbecue hors de la portée des enfants et des animaux en tout temps.**
- Ne le placez pas sur une table. Placez le barbecue sur une surface plane.
- N'utilisez pas ce barbecue dans des conditions de grands vents.









CONTENU DE L'EMBALLAGE



PIÈCE	DESCRIPTION	QTÉ
A	Tablette inférieure	1
B	Roulette avec frein	2
C	Roulette	2
D	Panneau latéral gauche du chariot	1
E	Panneau latéral droit du chariot	1
F	Panneau arrière du chariot	1
G	Traverse supérieure de la porte avant	1
H	Ensemble de porte gauche	1
I	Ensemble de porte droite	1
J	Poignée de porte	2
K	Manchon de la poignée	4
L	Pile AA	1
M	Bouton de commande du brûleur principal	4
N	Bouton de commande du brûleur latéral	1

PIÈCE	DESCRIPTION	QTÉ
O	Corps du barbecue	1
P	Ensemble de brûleur latéral gauche	1
Q	Grille de cuisson du brûleur latéral	1
R	Ensemble de tablette droite	1
S	Cuvette à graisse	1
T	Bac ramasse-graisse	1
U	Poignée du couvercle	1
V	Collerette de la poignée du couvercle	2
W	Grille de maintien au chaud	1
X	Plaque chauffante	4
Y	Grille de cuisson	2
Z	Support du tuyau d'alimentation en gaz naturel	2
A1	Raccord de débranchement rapide	1

QUINCAILLERIE INCLUSE (grandeur réelle)

							
AA	BB	CC	DD	EE	FF	GG	HH
Vis M6 de 12 mm	Rondelle ordinaire	Rondelle à ressort	Vis M4 de 10 mm	Vis M6 de 20 mm	Vis M6 de 16 mm	Vis M4 de 10 mm	Vis M6 de 25 mm
Qté : 29	Qté : 16	Qté : 16	Qté : 14	Qté : 4	Qté : 10	Qté : 4	Qté : 2
			REMARQUE : Quatre vis préassemblées dans la tablette inférieure.			REMARQUE : GG préassemblée à la poignée de porte.	REMARQUE : Préassemblée à la poignée du couvercle.

PRÉPARATION

Avant de commencer l'assemblage du produit, assurez-vous d'avoir toutes les pièces. Comparez les pièces dans l'emballage avec la liste des pièces de la page précédente et la quincaillerie indiquée ci-dessus. S'il y a des pièces manquantes ou endommagées, ne tentez pas d'assembler le produit. Communiquez avec le service à la clientèle pour obtenir des pièces de rechange.

Temps d'assemblage approximatif : 50 minutes, par deux personnes

Outils nécessaires pour l'assemblage et la vérification des fuites (non inclus) : tournevis cruciforme et vaporisateur

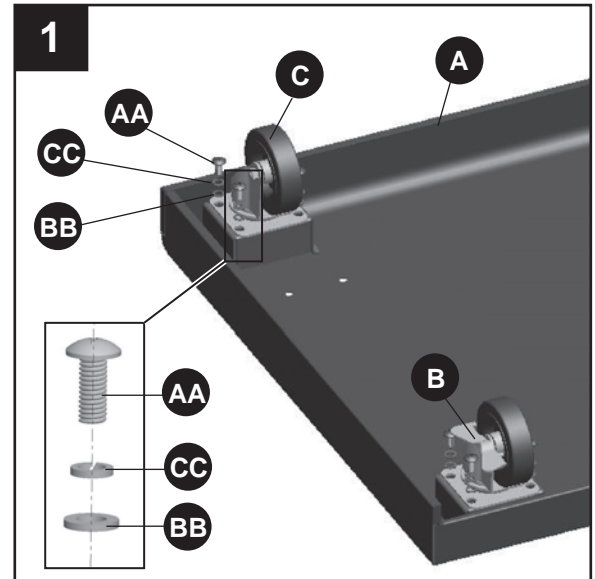
⚠ MISE EN GARDE

CET ARTICLE EST LOURD. DEUX PERSONNES SONT NÉCESSAIRES POUR ASSEMBLER L'ARTICLE EN TOUTE SÉCURITÉ.

Deux personnes sont nécessaires pour l'assembler en toute sécurité. Soyez prudent, car certaines pièces peuvent avoir des bords coupants. Au besoin, portez des gants protecteurs. Lisez et respectez tous les énoncés sur la sécurité et les avertissements, et suivez toutes les instructions pour l'assemblage ainsi que la section sur l'entretien de l'article avant de tenter d'assembler et d'utiliser cet article.

INSTRUCTIONS POUR L'ASSEMBLAGE

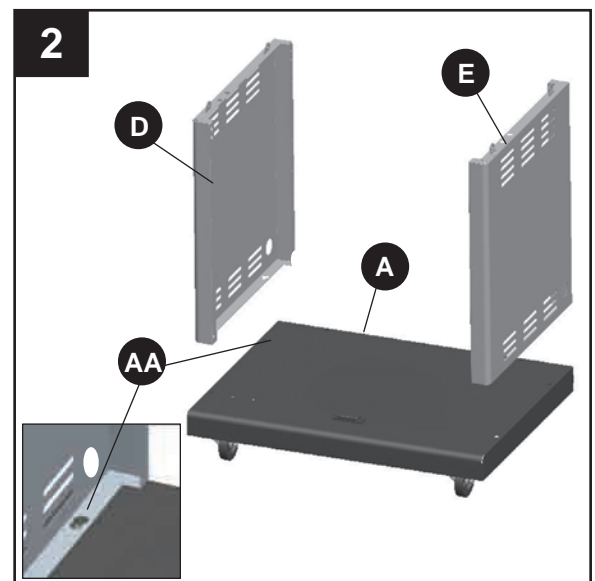
1. Repérez les deux roulettes avec frein (B) et les deux roulettes sans frein (C). Fixez les deux roulettes avec frein (B) à l'arrière (sur la partie mince de la tablette inférieure) de la tablette inférieure (A) à l'aide des quatre vis (AA), que vous devez insérer dans les quatre rondelles à ressort (CC), puis dans les quatre rondelles plates (BB) et enfin dans les trous filetés de la tablette inférieure (A). Fixez les deux roulettes sans frein (C) à l'avant de la tablette inférieure (A) à l'aide des quatre vis (AA), que vous devez insérer dans les quatre rondelles à ressort (CC), puis dans les quatre rondelles plates (BB) et enfin dans les trous filetés de la tablette inférieure (A). Serrez toutes les vis.



Quincaillerie utilisée

AA	Vis M6 de 12 mm		x16
CC	Rondelle à ressort		x16
BB	Rondelle ordinaire		x16

2. Insérez quatre vis (AA) à moitié dans les trous filetés de la tablette inférieure (A). Pour fixer le panneau latéral gauche du chariot (D), placez les encoches en trou de serrure du panneau sur la tête des vis (AA) situées du côté gauche de la tablette inférieure (A). Glissez le panneau latéral gauche du chariot (D) de façon à ce que la tête de la vis soit par-dessus la partie la plus étroite de l'encoche en trou de serrure. Vissez la vis (AA) sans trop la serrer, car vous aurez besoin d'une certaine marge de manœuvre afin d'effectuer les étapes d'assemblage suivantes. Répétez les étapes afin d'assembler le panneau latéral droit du chariot (E).



Quincaillerie utilisée

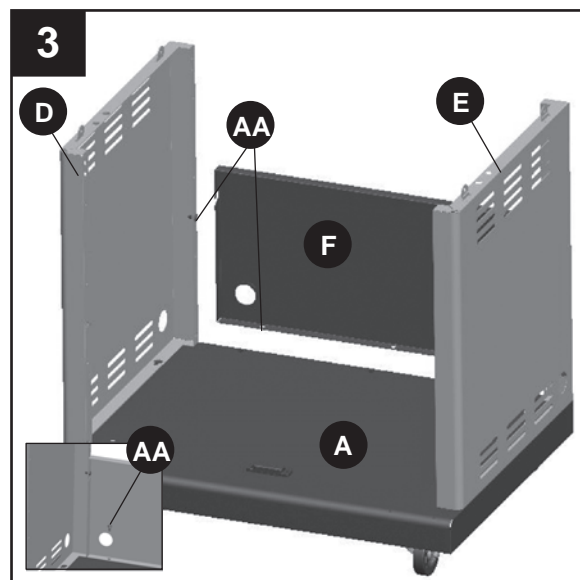
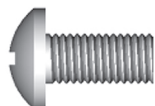
AA	Vis M6 de 12 mm		x4
----	-----------------	--	----

INSTRUCTIONS POUR L'ASSEMBLAGE

3. Insérez à moitié une vis (AA) dans le trou central fileté arrière du panneau latéral gauche du chariot (D) et de celui de droite (E). Pour fixer le panneau arrière du chariot (F), glissez les encoches en trou de serrure de ce dernier (F) sur les vis précédemment insérées. Glissez le panneau arrière du chariot (F) de manière à ce qu'il atteigne la tablette inférieure (A). Fixez le panneau arrière du chariot (F) à la tablette inférieure (A) à l'aide de trois vis (AA). Serrez toutes les vis, y compris les deux vis des panneaux latéraux du chariot (D et E).

Quincaillerie utilisée

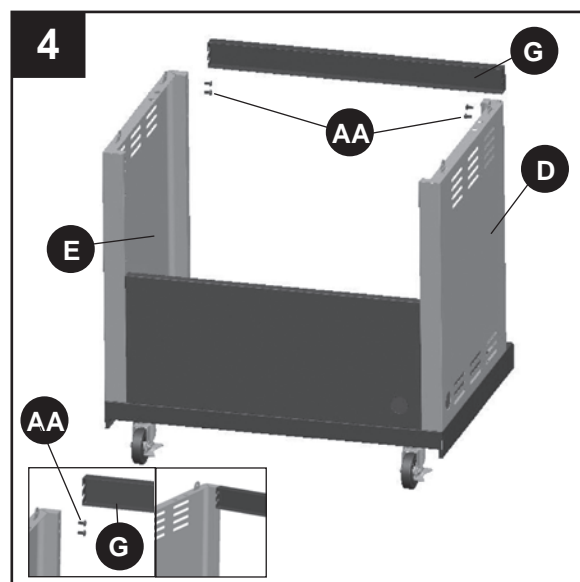
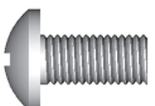
AA Vis M6 de 12 mm x 5



4. Insérez deux vis (AA) à moitié dans les trous supérieurs filetés avant de chaque panneau latéral du chariot (D et E). Pour fixer la traverse supérieure de la porte avant (G), glissez les échancrures de celle-ci (G) sur les quatre vis (AA), puis serrez ces dernières (AA).

Quincaillerie utilisée

AA Vis M6 de 12 mm x 4



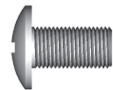
INSTRUCTIONS POUR L'ASSEMBLAGE

5. Retirez les vis préassemblées (GG) des poignées de porte (J). Insérez les deux manchons de la poignée de porte (K) dans les trous situés à l'arrière de l'ensemble de porte gauche (H). Insérez deux vis (GG) dans les manchons de la poignée de porte (K), puis dans les trous filetés de la poignée de porte (J). Serrez les vis.
Répétez les mêmes étapes pour l'ensemble de porte droite (I).

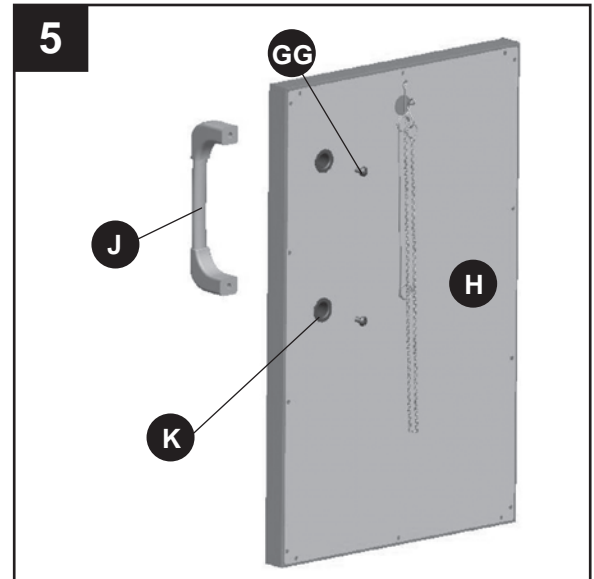
Quincaillerie utilisée

GG

Vis M4 de 10 mm
préassemblée



x 4

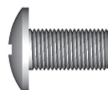


6. Pour fixer l'ensemble de porte gauche (H) au corps du chariot, alignez les trous de la charnière de l'ensemble de porte gauche (H) avec les trous du panneau latéral gauche du chariot (D), insérez quatre vis (DD), puis serrez.
Répétez les mêmes étapes pour l'ensemble de porte droite (I).

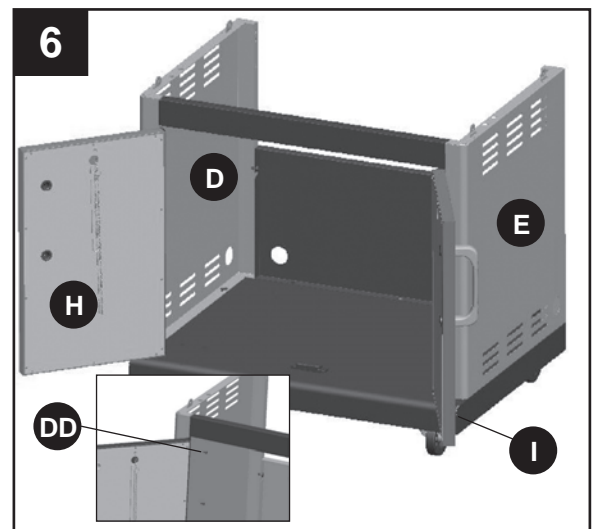
Quincaillerie utilisée

DD

Vis M4 de 10 mm



x 8



INSTRUCTIONS POUR L'ASSEMBLAGE

7. Placez le bouton de commande du brûleur principal (M) et le bouton de commande du brûleur latéral (N) sur les tiges de robinet situées sur le panneau de commande avant du corps du barbecue (O). Retirez les vis préassemblées (HH) de la poignée du couvercle (U). Pour fixer la poignée du couvercle (U), insérez deux vis (HH), à partir de l'intérieur du couvercle du corps du barbecue (O), dans les collerettes de la poignée du couvercle (V), puis dans la poignée (U), et serrez fermement.

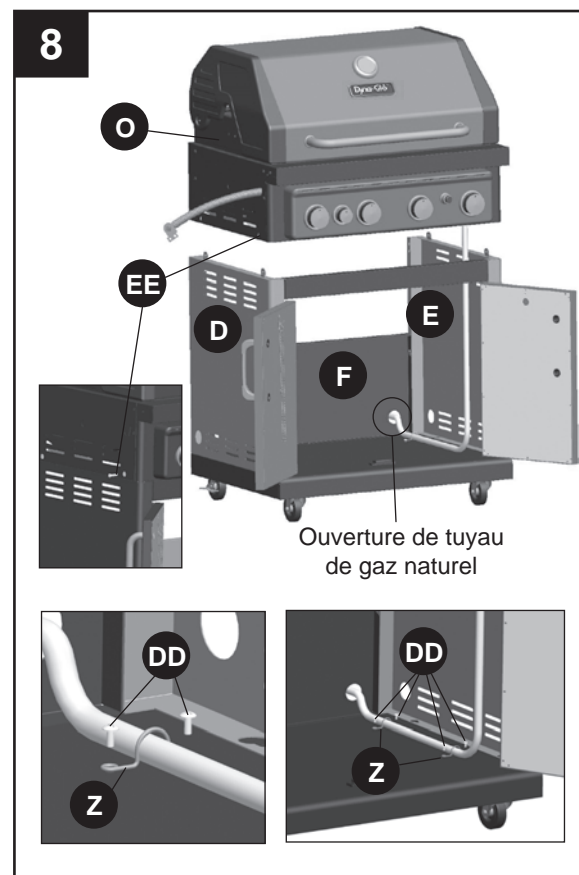
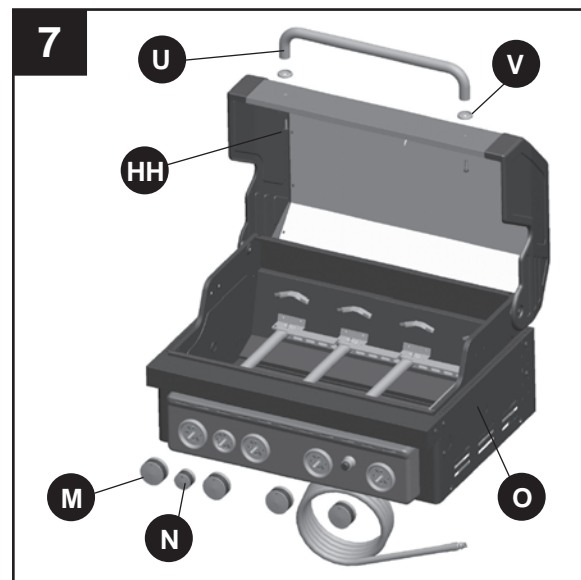
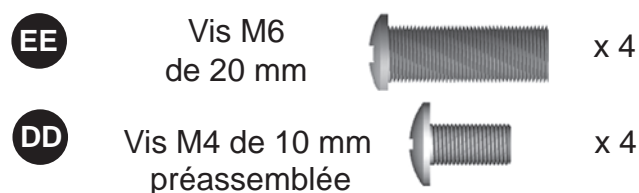
Quincaillerie utilisée



8. Verrouillez les deux roulettes arrière afin que le chariot ne se déplace pas. Déposez délicatement le corps du barbecue (O) sur les languettes de montage situées sur les panneaux latéraux du chariot (D et E) et sur le chariot. Ajustez le corps du barbecue (O) de façon à ce que les trous situés sur ce dernier (O) soient alignés avec les trous des languettes des panneaux latéraux du chariot (D et E). REMARQUE : Assurez-vous que le tuyau d'alimentation en gaz naturel passe dans le chariot et ressort par l'ouverture dans le panneau arrière du chariot (F). Fixez le corps du barbecue (O) de chaque côté à l'aide de deux vis (EE).

Pour installer les supports du tuyau d'alimentation en gaz naturel (Z), retirez les vis (DD) des trous prépercés dans la tablette inférieure (A), alignez les supports du tuyau d'alimentation en gaz naturel (Z) avec les trous prépercés et le tuyau d'alimentation en gaz naturel, puis fixez le tout à l'aide des vis (DD).

Quincaillerie utilisée



INSTRUCTIONS POUR L'ASSEMBLAGE

9. Fixez deux vis (FF) au corps du barbecue (O), comme illustré. Ne serrez pas complètement les vis (laissez un jeu d'environ 5 mm). Alignez les encoches en trou de serrure de l'ensemble de brûleur latéral gauche (P) avec les deux vis (FF) que vous venez de poser sur le corps du barbecue (O), puis serrez les vis. Insérez une vis (FF) dans chacun des trois trous restants des supports, puis serrez-les. Alignez le tube du brûleur latéral avec l'orifice du brûleur latéral, puis insérez-le dans l'orifice. Fixez l'orifice du brûleur latéral et son support au support du brûleur latéral à l'aide de deux vis (DD). Fixez le fil d'allumage à l'électrode. Alignez les encoches en trou de serrure du plateau du brûleur avec la grille de cuisson du brûleur latéral (Q), puis fixez cette dernière en place.

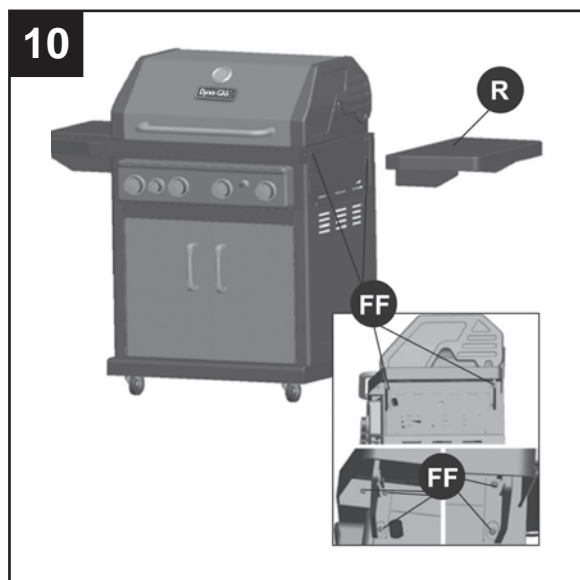
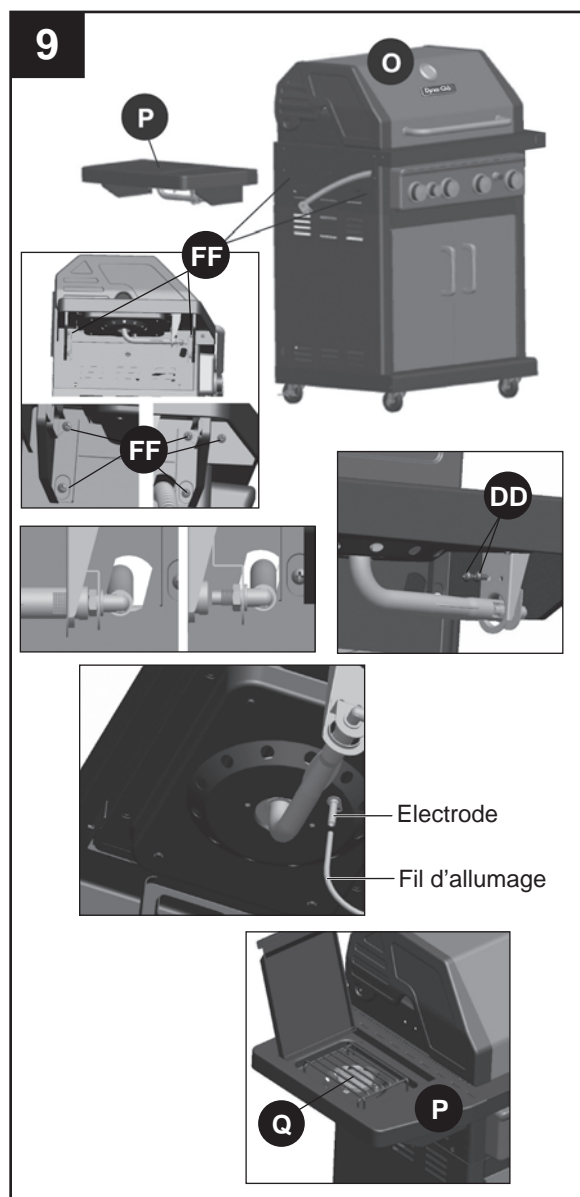
Quincaillerie utilisée

- DD** Vis M4 de 10 mm x 2
- FF** Vis M6 de 16 mm x 5

10. Installez deux vis (FF) sur le corps du barbecue (O). Ne serrez pas complètement. (Laissez un jeu d'environ 5 mm.) Alignez les encoches en trou de serrure de l'ensemble de tablette droite (R) avec les deux vis (FF) que vous venez de poser sur le corps du barbecue (O), puis serrez les vis. Insérez une vis (FF) dans chacun des trois trous restants des supports, puis serrez-les.

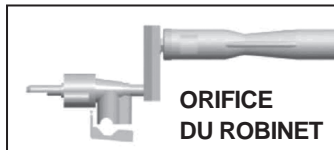
Quincaillerie utilisée

- FF** Vis M6 de 16 mm x 5

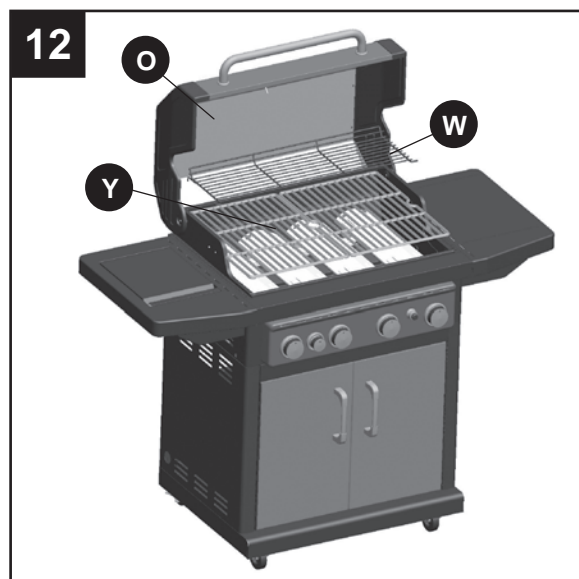
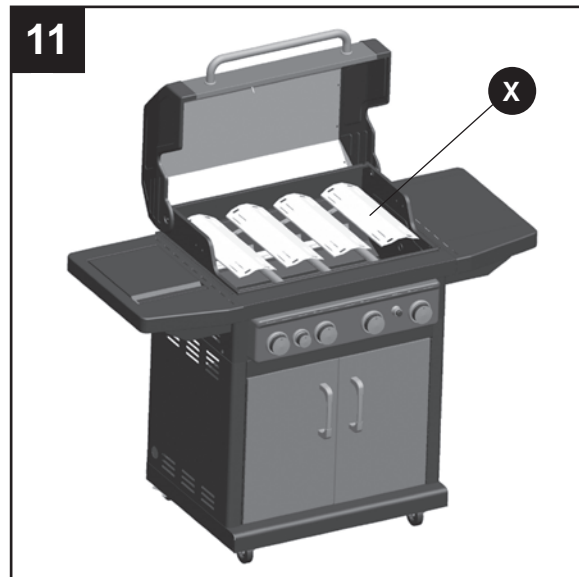


INSTRUCTIONS POUR L'ASSEMBLAGE

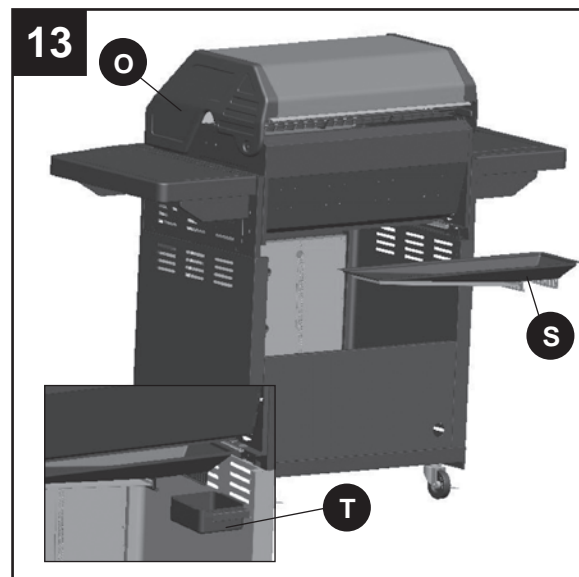
⚠ AVERTISSEMENT : IL EST TRÈS IMPORTANT DE S'ASSURER QUE CHACUN DES BRÛLEURS EST COMPLÈTEMENT INSÉRÉ DANS L'ORIFICE DU ROBINET ADJACENT AVANT DE PASSER À L'ÉTAPE 11. LE NON-RESPECT DE CETTE CONSIGNE POURRAIT ENTRAÎNER UN INCENDIE OU UNE EXPLOSION, CE QUI POURRAIT CAUSER DES BLESSURES GRAVES, VOIRE LA MORT. CONSULTEZ LES INSTRUCTIONS DE LA SECTION ENTRETIEN INDIQUANT LA FAÇON ADÉQUATE DE VÉRIFIER SI LES BRÛLEURS SONT INSÉRÉS.



11. Ouvrez le couvercle et placez les quatre plaques chauffantes (X) sur les supports, directement au-dessus des brûleurs.
12. Déposez les grilles de cuisson (Y) sur les traverses du corps et sur le panneau arrière du barbecue, puis insérez la grille de maintien au chaud (W) dans les deux trous situés sur le bord arrière du corps du barbecue (O).

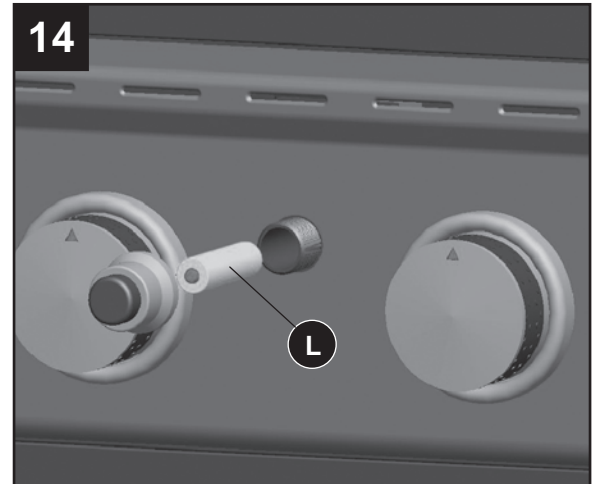


13. Pour mettre en place la cuvette à graisse (S), glissez-la dans le corps du barbecue (O) à partir de l'arrière, le long des traverses situées juste en dessous de la partie inférieure du corps du barbecue (O). Pour mettre en place le bac ramasse-graisse (T), glissez-le sur les traverses situées sur l'extrémité inférieure de la cuvette à graisse (S).



INSTRUCTIONS POUR L'ASSEMBLAGE

- Retirez le capuchon de l'allumeur en le tournant dans le sens contraire des aiguilles d'une montre. Insérez la pile AA (L) dans le boîtier de l'allumeur en plaçant la borne positive (+) vers l'extérieur. Remettez le capuchon de l'allumeur en place.

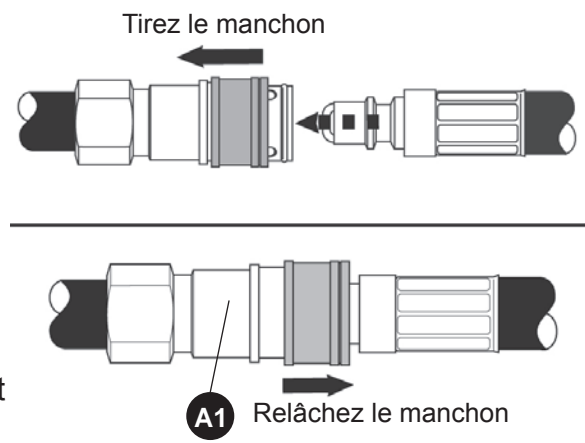


RACCORD DU BARBECUE À L'ALIMENTATION EN GAZ NATUREL

- La douille de débranchement rapide (A1) et le tuyau d'alimentation en gaz doivent être installés par un service d'entretien autorisé. Le raccord d'alimentation doit être réalisé selon la réglementation locale ou, en l'absence d'une telle réglementation, selon le National Fuel Gas Code, ANSI Z223.1/NFPA 54, aux Etats-Unis, ou le Natural Gas and Propane Installation Code, CSA B149.1, au Canada.
- Une vanne d'arrêt manuel de taille appropriée doit être installée entre le barbecue et le tuyau d'alimentation en gaz.
- Le barbecue et sa vanne d'arrêt individuelle doivent être déconnectés du réseau de distribution du gaz avant tout test de pression du réseau, pour des pressions d'essai excédant 0,5 lb/po² (3,5 kPa).
- Avant toute vérification de pression du système de tuyauterie d'alimentation en gaz, pour des pressions d'essai égales ou inférieures à 0,5 lb/po² (3,5 kPa), fermez la vanne d'arrêt manuel individuelle pour isoler le barbecue du système de tuyauterie d'alimentation en gaz.
- Raccordez toujours le tuyau flexible d'alimentation en gaz au réseau de distribution avant d'ouvrir la vanne d'arrêt manuel.

POUR RACCORDER :

- Assurez-vous que la vanne d'arrêt manuel du gaz est fermée.
- Retirez les bouchons protecteurs en caoutchouc aux extrémités de l'embout et du manchon des raccords de débranchement rapide. Vérifiez si les raccords sont propres.
- Tirez le manchon sur le raccord, comme illustré.
- Insérez l'embout, puis relâchez le manchon, comme illustré.
- Poussez l'embout dans le manchon, jusqu'à ce que le manchon s'enclenche vers l'avant pour bloquer l'embout dans le raccord.
- Ouvrez la vanne d'arrêt manuel de gaz.



POUR DÉBRANCHER :

- Fermez la vanne d'arrêt manuel.
- Tirez le manchon, puis retirez délicatement l'embout.
- Remplacez les bouchons protecteurs en caoutchouc sur les extrémités de l'embout et du manchon des raccords de débranchement rapide.

⚠ AVERTISSEMENT

Lorsque vous effectuez les raccordements, assurez-vous que :

- le tuyau d'alimentation en gaz ne touche pas au foyer du barbecue.

DÉTECTION DES FUITES

Après avoir effectué tous les branchements, vérifiez s'il y a des fuites en vaporisant de l'eau savonneuse sur le raccord de gaz naturel à branchement rapide, le tuyau de gaz et le collecteur.

Pour prévenir les incendies ou les explosions lorsque vous tentez de détecter les fuites :

- Procédez toujours à la détection des fuites avant d'allumer le barbecue.
- Ne fumez pas lorsque vous vérifiez la présence de fuites.
- Procédez toujours à la détection des fuites à l'extérieur, dans un endroit bien aéré.
- N'utilisez aucune source de flamme lorsque vous vérifiez la présence de fuites.
- N'utilisez pas le barbecue tant que les fuites n'ont pas toutes été colmatées.
- Si vous ne parvenez pas à colmater une fuite, fermez la vanne d'arrêt manuel du gaz, puis communiquez avec un service de réparation d'appareils au gaz.

DÉTECTION DES FUITES

- Pour préparer une solution afin de procéder à la détection des fuites, mélangez une part de savon à vaisselle liquide et trois parts d'eau. Vous aurez besoin d'environ 70 à 90 ml (2 à 3 oz) de liquide. Versez la solution en question dans un vaporisateur.
- Assurez-vous que tous les boutons de commande sont à la position **○ FERMÉ**.
- Branchez le tuyau de gaz au réseau de distribution de gaz.
- Ouvrez la vanne d'arrêt de gaz.
- Vaporisez la solution sur tous les branchements et les raccords dans lesquels circule du gaz. La présence de bulles à un endroit où vous avez appliqué la solution d'eau savonneuse indique une fuite de gaz. Si vous détectez ou entendez une fuite, ou si vous sentez une odeur de gaz, fermez immédiatement la vanne d'alimentation en gaz et réparez ou remplacez la pièce défectueuse. N'utilisez pas le barbecue tant que les fuites n'ont pas toutes été colmatées.

⚠ MISE EN GARDE

Utilisez uniquement l'ensemble régulateur et tuyau fourni! Si vous avez besoin d'une pièce de rechange, communiquez avec le service à la clientèle. N'utilisez pas de pièces de rechange qui ne sont pas conçues pour ce barbecue.

⚠ AVERTISSEMENT

TOUTES LES INSTRUCTIONS ET MESURES DE SÉCURITÉ QUI SUIVENT DOIVENT ÊTRE RESPECTÉES AFIN DE PRÉVENIR LES INCENDIES, LES DOMMAGES ET LES BLESSURES.

MODE D'EMPLOI

ALLUMAGE DU BARBECUE

Avant la première utilisation :

Retirez toutes les étiquettes et les courroies de plastique, le cas échéant. Avant d'utiliser votre nouveau barbecue au gaz, il est nécessaire de le nettoyer à la chaleur. Pour ce faire, faites fonctionner le barbecue pendant une quinzaine de minutes; le couvercle doit être fermé et le bouton de commande, à la position maximale. De cette façon, la chaleur brûlera tous les résidus et dissipera l'odeur provenant du processus de fabrication, nettoyant ainsi les pièces internes.

⚠ MISE EN GARDE


Si la flamme s'éteint accidentellement pendant l'allumage ou l'utilisation du barbecue, **FERMEZ** immédiatement la vanne d'arrêt manuel du gaz, puis **FERMEZ** les boutons de commande du brûleur.

⚠ AVERTISSEMENT

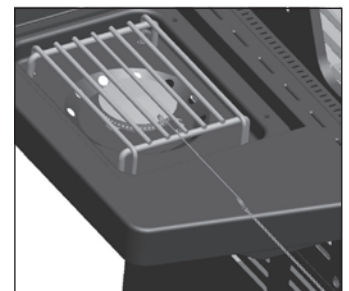
**Ne vous penchez pas au-dessus du barbecue lorsque vous l'allumez.
Lisez les instructions avant d'allumer l'appareil.**

1. Vérifiez que les boutons de commande sont à la position **○ FERMÉ**.
2. Ouvrez la vanne d'arrêt de gaz naturel.
3. Ouvrez le couvercle avant d'allumer l'appareil.
4. Enfoncez l'allumeur pendant 3 ou 4 secondes tout en tournant le bouton de commande de droite à la position **🔥 MAXIMALE**. Le brûleur devrait s'allumer.
Si l'appareil ne s'allume pas en 5 secondes, fermez le robinet du brûleur, attendez 5 minutes, et procédez de nouveau à l'allumage ou consultez les instructions pour l'allumage avec une allumette indiquées ci-dessous.
5. Répétez l'étape 4 ci-dessus afin d'allumer le brûleur gauche.
Si le brûleur ne s'allume toujours pas, vérifiez que la vanne d'arrêt manuel du gaz est ouverte, puis suivez les instructions d'allumage avec une allumette.


ALLUMAGE DU BARBECUE AVEC UNE ALLUMETTE

1. Insérez une allumette à l'extrémité du support à allumettes situé à l'intérieur de la porte du charriot.
2. Allumez l'allumette.
3. Insérez sans tarder l'allumette enflammée dans le trou de 20 mm (0,75 po) situé sur le côté du corps du barbecue le plus près du brûleur que vous souhaitez allumer. Assurez-vous que l'allumette enflammée est près des orifices du brûleur.
4. Appuyez sur le bouton de commande lié au brûleur et tournez-le dans le sens  contraire des aiguilles d'une montre à la position **🔥 MAXIMALE**; le brûleur devrait s'allumer immédiatement.
5. Réglez les brûleurs à l'intensité de cuisson désirée.

Si vous devez allumer les deux brûleurs, répétez les étapes 1 à 4 afin d'allumer l'autre brûleur.



INSTRUCTIONS POUR L'ARRÊT

1. Tournez les boutons de commande dans le sens des  aiguilles d'une montre jusqu'à la position **○ FERMÉ**.
2. Fermez la vanne d'arrêt manuel du gaz.
3. Fermez le couvercle.

Fermez la vanne d'arrêt manuel du gaz lorsque vous n'utilisez pas l'appareil.

ENTRETIEN

GRILLES DE CUISSON

Il est recommandé de brûler les résidus sur la grille de cuisson environ quinze minutes après chaque utilisation. Le barbecue est encore chaud et nécessite donc moins de gaz pour atteindre la chaleur nécessaire pour brûler les résidus.

Pour brûler les résidus ou nettoyer votre barbecue par la chaleur, allumez les brûleurs à la position maximale et laissez-les fonctionner pendant 15 minutes, le couvercle du barbecue fermé. Ensuite, éteignez les brûleurs et utilisez une brosse métallique afin de nettoyer les résidus de nourriture qui se trouvent sur les grilles.

Les grilles de porcelaine ont un fini d'émail vitrifié (semblable au verre). Veillez à les manipuler avec soin pour ne pas les ébrécher.

⚠ MISE EN GARDE

Avant de nettoyer et d'entretenir le barbecue, assurez-vous qu'il est refroidi et que la vanne d'arrêt manuel du gaz est fermée et coupe l'alimentation en gaz.

PRODUITS DE NETTOYAGE RECOMMANDÉS

Savon à vaisselle liquide doux, eau tiède, tampon à récurer en nylon, brosse métallique.

N'utilisez PAS de produits nettoyants contenant de l'acide, de l'essence minérale ou toute substance abrasive.

SURFACES EXTÉRIEURES

Il est recommandé de n'utiliser que du savon à vaisselle liquide doux et de l'eau chaude pour nettoyer le barbecue et les pièces de celui-ci. Rincez à l'eau tiède.

CUVETTE INFÉRIEURE À L'INTÉRIEUR DU CORPS DU BARBECUE

Afin d'éviter les montées de flammes, il est recommandé de nettoyer régulièrement la cuvette inférieure située à l'intérieur du barbecue. Enlevez les résidus à l'aide d'une brosse, d'un grattoir ou d'un tampon à récurer. Nettoyez doucement à l'aide de savon à vaisselle liquide doux et d'eau tiède. Rincez à l'eau tiède. Évitez d'éclabousser les tubes diffuseurs des brûleurs.

PLAQUES CHAUFFANTES

Nettoyez les résidus à l'aide d'une brosse métallique et lavez avec du savon à vaisselle doux et de l'eau tiède. Rincez à l'eau tiède.

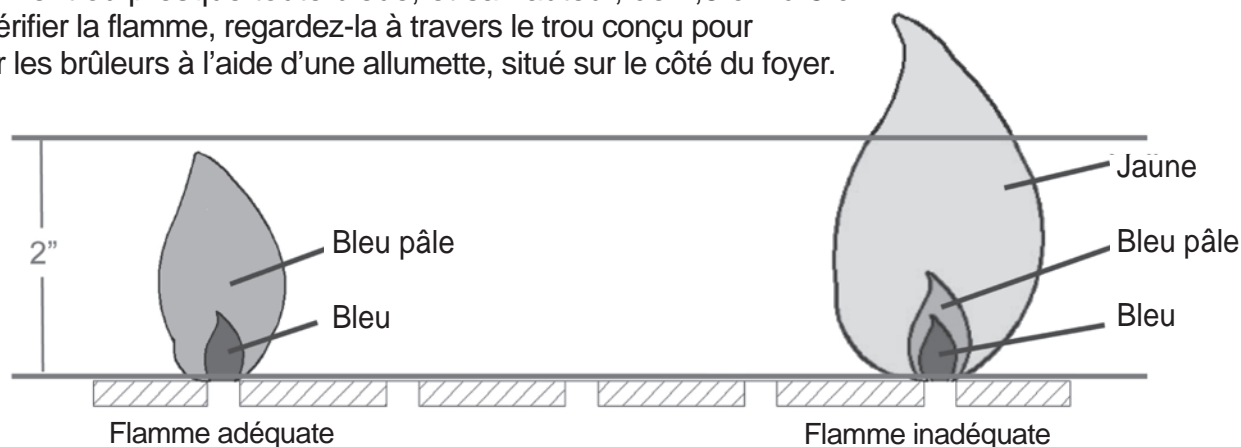
BAC RAMASSE-GRAISSE

Videz le bac ramasse-graisse, puis nettoyez-le régulièrement avec du savon à vaisselle liquide doux et de l'eau tiède.

VÉRIFICATION DE LA FLAMME

Pour obtenir un rendement énergétique optimal ainsi qu'une excellente cuisson, la flamme doit être entièrement ou presque toute bleue, et sa hauteur, de 2,5 cm à 5 cm.

Pour vérifier la flamme, regardez-la à travers le trou conçu pour allumer les brûleurs à l'aide d'une allumette, situé sur le côté du foyer.

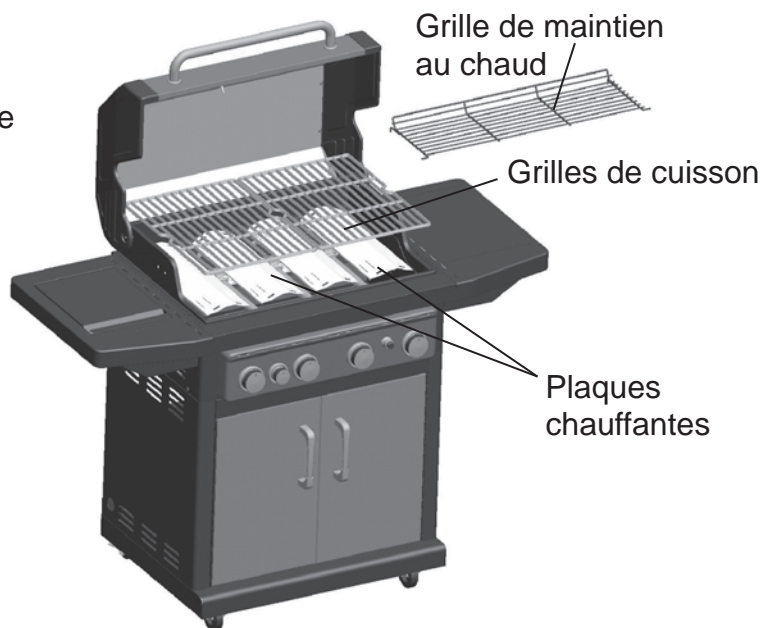


ENSEMBLE DE BRÛLEUR

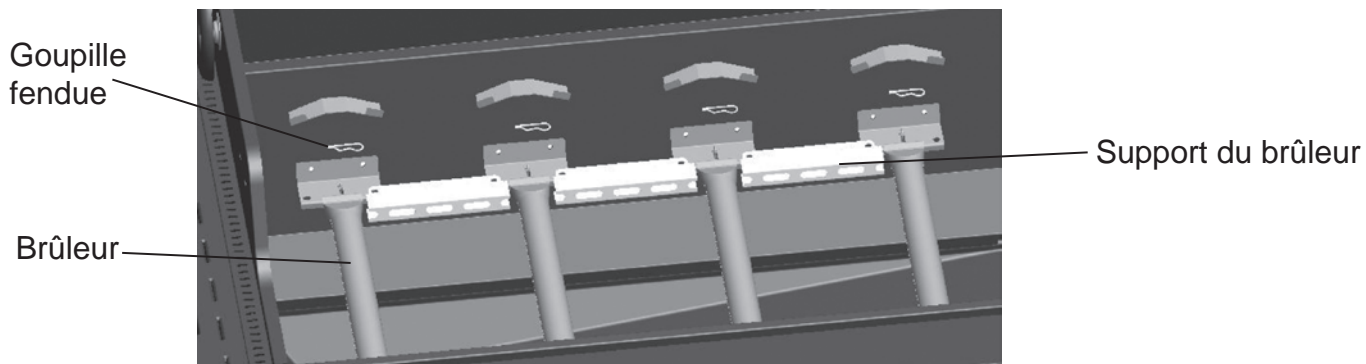
RETRAIT DE L'ENSEMBLE DE BRÛLEUR

1. Assurez-vous que tous les boutons de commande sont à la position « OFF » (arrêt), la vanne d'alimentation en gaz est fermée, et le tuyau de gaz est déconnectée de l'alimentation en gaz.

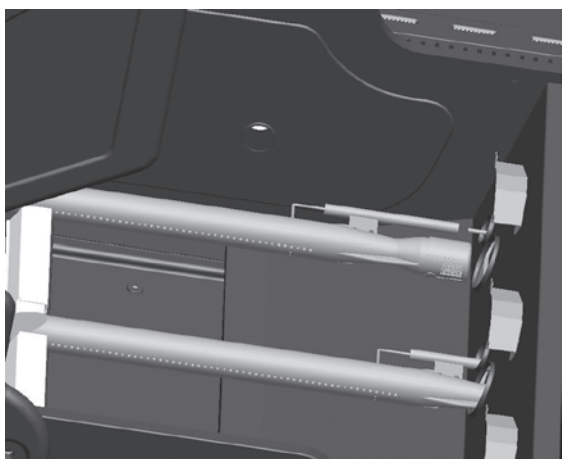
2. Ouvrez ensuite le couvercle et retirez la grille de maintien au chaud, les grilles de cuisson et les plaques chauffantes.



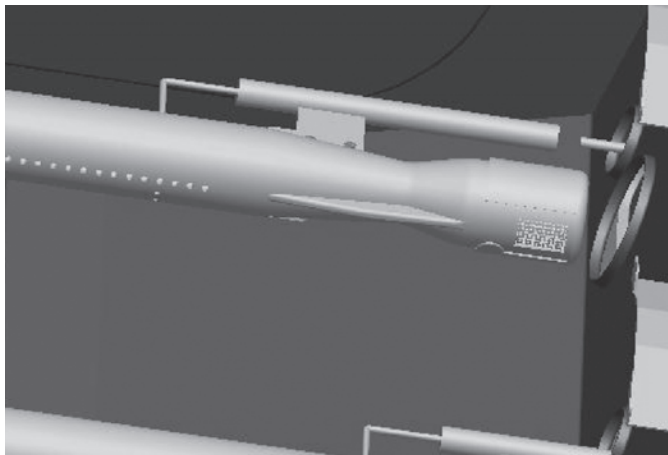
3. Retirez les goupilles fendues à l'arrière des brûleurs pour les retirer des supports.



4. Retirez les brûleurs du foyer du barbecue, tel qu'il est illustré.



5. Séparez le fil d'allumage de l'allumeur, tel qu'il est illustré.



ENTRETIEN

NETTOYAGE DE L'ENSEMBLE DE BRÛLEUR – Assurez-vous que le barbecue est refroidi.

1. Fermez le gaz à l'aide de la vanne d'alimentation manuelle en gaz.
2. Retirez le tuyau d'alimentation en gaz.
3. Retirez ensuite la grille de maintien au chaud, les grilles de cuisson et les plaques chauffantes.
4. Retirez les goupilles fendues situées à l'arrière des brûleurs afin de retirer ces derniers des supports.
5. Séparez à la main le fil d'allumage de l'électrode. N'utilisez NI pinces NI aucun autre outil, car vous pourriez endommager l'électrode ou le fil.
6. Soulevez lentement le brûleur.
7. Assurez-vous que tous les orifices du brûleur ne sont pas bouchés. Pour ce faire, utilisez une épingle ou un trombone.
8. Assurez-vous que le brûleur n'est pas endommagé. Le cas échéant, remplacez-le par un nouveau brûleur.
9. Assurez-vous que l'extrémité du brûleur et le filtre à air principal sont exempts de nids d'insectes, de poussière ou de débris.

RÉINSTALLATION DU BRÛLEUR

Assurez-vous que les orifices du robinet de gaz sont placés correctement à l'intérieur du diffuseur du brûleur (venturi).

Vous devrez peut-être utiliser une lampe de poche pour les installer correctement.

Il est recommandé de vérifier leur position à travers les trous de ventilation du foyer du barbecue, tel que l'illustre la figure ci-dessous.



⚠ AVERTISSEMENT

Si les directives mentionnées précédemment ne sont pas suivies, un incendie ou une explosion pourrait survenir, risquant de causer des blessures graves, voire la mort.

AUTRES TYPES D'ENTRETIEN

Nous vous recommandons de faire faire l'entretien de cet appareil une fois par année par un technicien qualifié.

Nous vous recommandons de vérifier régulièrement que l'espace autour du barbecue au gaz est exempt de tout matériau combustible, essence et autres vapeurs et liquides inflammables.

Nous vous recommandons de vérifier régulièrement que le flux d'air de combustion et de ventilation n'est pas entravé.

Nous vous recommandons de vérifier régulièrement que les ouvertures de ventilation entourant la bouteille (sur le charriot) sont exemptes de débris.

Nous vous recommandons de vérifier régulièrement les tubes du venturi et du brûleur, et de les nettoyer si des insectes ou des nids d'insectes s'y trouvent. Un tube obstrué peut causer un feu sous le barbecue.

ENTRETIEN

L'allumage électronique nécessite une pile alcaline « AA » incluse.

! AVERTISSEMENT

N'utilisez PAS de vieilles piles avec des piles neuves.

NE combinez PAS des piles alcalines avec des piles ordinaires (carbone-zinc) ou avec des piles rechargeables (nickel-cadmium).

NE jetez PAS les piles au feu. Une mise au rebut inadéquate pourrait causer une fuite ou faire exploser les piles.

DÉPANNAGE

Si vous avez des questions, veuillez téléphoner au service à la clientèle au 1-877-447-4768, 08:30-16 heures 30, HNC, du lundi - vendredi.

PROBLÈME	CAUSE POSSIBLE	MESURE CORRECTIVE
Le brûleur ne s'allume pas à l'aide de l'allumeur (pas d'étincelle ou étincelle faible).	<ol style="list-style-type: none">1. L'électrode de l'allumeur est couverte de graisse ou de résidus.2. Un fil de l'électrode de l'allumeur est mal raccordé ou déconnecté.3. L'électrode d'allumage est fissurée ou fendue.4. La pile est à plat ou la connexion des piles est inadéquate.	<ol style="list-style-type: none">1. Nettoyez l'électrode de l'allumeur.2. Vérifiez les fils et reconnectez tout fil mal raccordé ou déconnecté.3. Remplacez l'électrode d'allumage (consultez la liste des pièces de rechange).4. Prenez l'une des mesures suivantes :<ol style="list-style-type: none">a. Remplacez la pile.b. Vérifiez si la pile est insérée correctement.c. Vérifiez si les bornes de la pile présentent des traces de corrosion.d. Vérifiez le branchement des fils comme indiqué ci-dessus.
Il y a trop de montées de flammes intermittentes.	<ol style="list-style-type: none">1. De la graisse ou des résidus se sont accumulés sur les plaques chauffantes ou dans le foyer du barbecue.2. Du gras ou de la marinade a dégoutté de la nourriture en trop grande quantité.3. La température de cuisson est trop élevée.	<ol style="list-style-type: none">1. Nettoyez les pièces du barbecue.2. Retirez le gras de la viande et n'utilisez pas de marinades à base d'huile.3. Réduisez la température en conséquence.

DÉPANNAGE

PROBLÈME	CAUSE POSSIBLE	MESURE CORRECTIVE
Le brûleur ne s'allume pas à l'aide d'une allumette.	<ol style="list-style-type: none">1. L'allumette n'atteint pas les brûleurs (lorsque vous la tenez d'une main).2. L'alimentation en gaz est coupée.3. Il y a un mauvais branchement entre le raccord à manchon et l'embout du tuyau de gaz.4. L'entrée du brûleur est obstruée.	<ol style="list-style-type: none">1. Utilisez le support à allumettes situé dans la porte de l'armoire.2. Vérifiez si la vanne d'arrêt manuel du gaz est ouverte.3. Tournez les boutons de commande à la position OFF (fermé), fermez la vanne d'arrêt du gaz, puis vérifiez le branchement du raccord à manchon et de l'embout. Au besoin, déconnectez-les et reconnectez-les.4. Nettoyez le diffuseur (venturi) et le brûleur selon les instructions de la section Entretien du manuel.
Le gaz ne circule pas ou sa circulation est entravée.	<ol style="list-style-type: none">1. L'alimentation en gaz est coupée.2. Il y a un mauvais branchement entre le raccord à manchon et l'embout du tuyau de gaz.3. L'entrée du brûleur est obstruée.	<ol style="list-style-type: none">1. Vérifiez si la vanne d'arrêt manuel du gaz est ouverte.2. Tournez les boutons de commande à la position OFF (fermé), fermez la vanne d'arrêt du gaz, puis vérifiez le branchement du raccord à manchon et de l'embout. Au besoin, déconnectez-les et reconnectez-les.3. Nettoyez le diffuseur (venturi) et le brûleur selon les instructions de la section Entretien du manuel.
La chaleur est faible.	<ol style="list-style-type: none">1. La pression du gaz vers l'appareil est insuffisante.	<ol style="list-style-type: none">1. Communiquez avec un service d'entretien autorisé pour qu'il vérifie la pression de l'alimentation en gaz et la corrige.

GARANTIE LIMITÉE

Garantie limitée de 1 an

La garantie de un an de ce barbecue au gaz naturel (et celle de 5 ans des brûleurs en acier inoxydable) couvre les pièces endommagées ou brisées au moment de l'achat. Le barbecue est garanti contre tout défaut. La peinture est garantie contre tout défaut, à l'exception de la rouille qui peut apparaître après une utilisation répétée.

La garantie ne couvre pas les dommages ou les problèmes liés à une négligence, à un usage abusif ou aux modifications apportées à l'appareil. La garantie ne couvre pas les coûts de main-d'œuvre.

Toutes les pièces couvertes par la garantie seront expédiées sans frais selon la méthode choisie par le fabricant (envoi terrestre par US Mail ou Parcel Post **UNIQUEMENT**). Tout montant additionnel (par exemple, la livraison le lendemain, le surlendemain, etc.) relève de la responsabilité du consommateur.

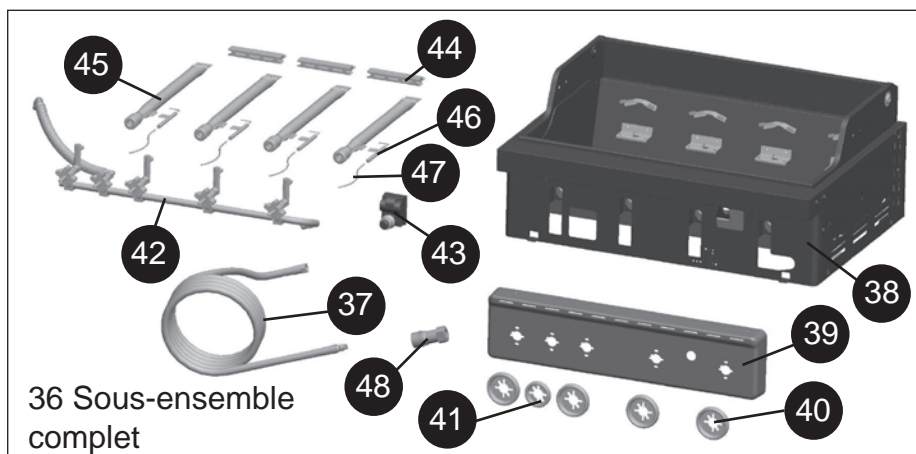
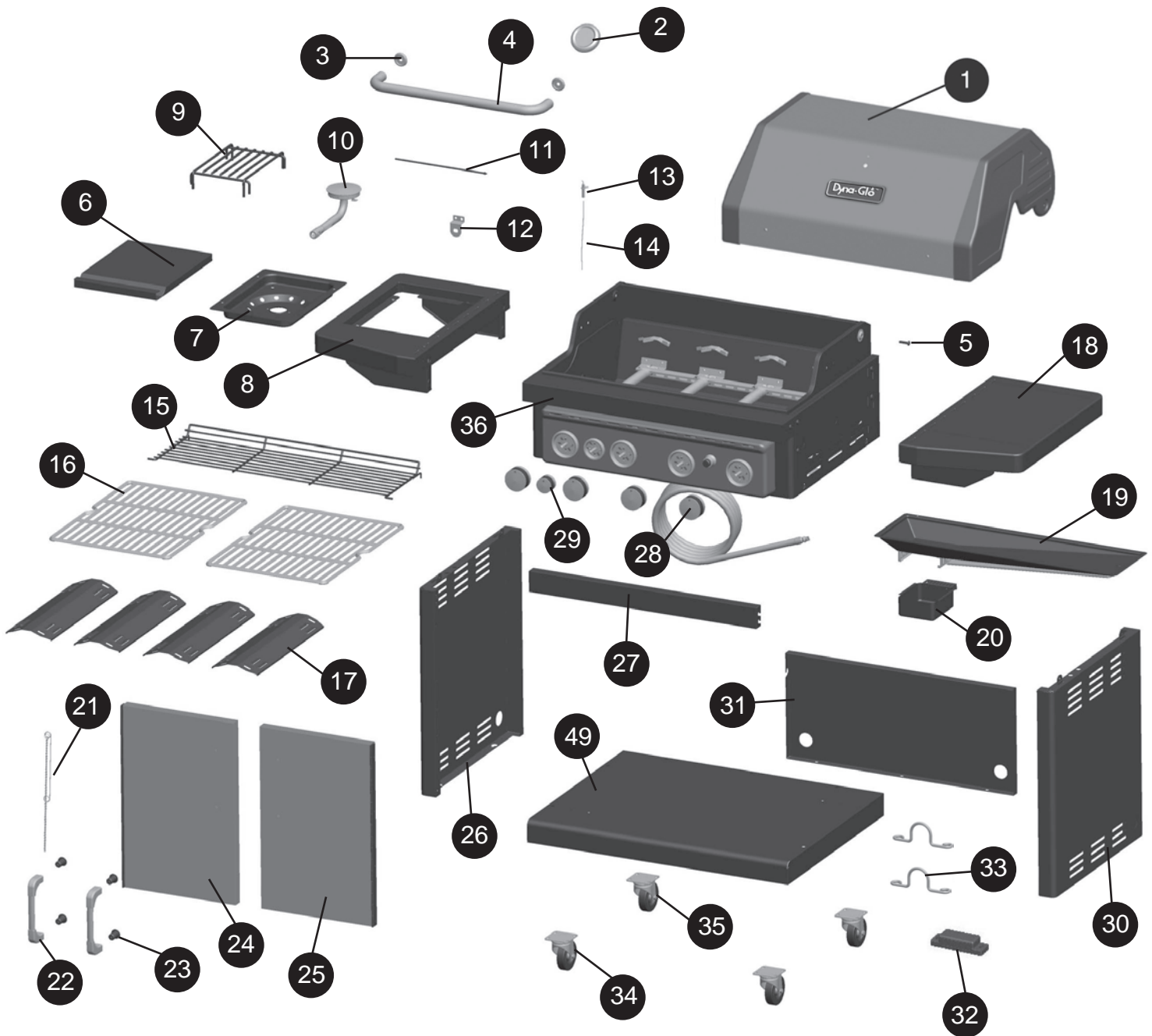
Toutes les réclamations au titre de la garantie ne peuvent être effectuées que par l'acheteur initial du produit et nécessitent une preuve d'achat qui indique la date d'achat. Ne retournez aucune pièce à l'adresse de GHP sans avoir obtenu un numéro d'autorisation de retour de notre service à la clientèle. Vous pouvez appeler sans frais notre service à la clientèle au 1-877-447-4768, 08:30-16 heures 30, HNC, du lundi - vendredi.

AVIS : Certains États ou certaines provinces ne permettent pas une limitation de la durée de la garantie implicite ou une exclusion ou une limitation des dommages accidentels ou consécutifs, de sorte que les limitations ou exclusions mentionnées ci-dessus peuvent ne pas s'appliquer à vous. Cette garantie vous confère des droits précis. Il est possible que vous disposiez également d'autres droits, qui varient d'un État ou d'une province à l'autre.

GHP Group, Inc.
8280 Austin Avenue
Morton Grove, IL, États-Unis
60053-3207

Nom de l'article : Barbecue au gaz naturel à quatre brûleurs avec brûleur latéral
N° de modèle : DGA480SSN/DGA440SSN-D
Capacité nominale : 60 000 BTU/h

LISTE DES PIÈCES DE RECHANGE



LISTE DES PIÈCES DE RECHANGE

Pour obtenir des pièces de rechange, communiquez avec le service à la clientèle au 1 800 963-0211, entre 8 h et 20 h (HNE), du lundi au le vendredi.

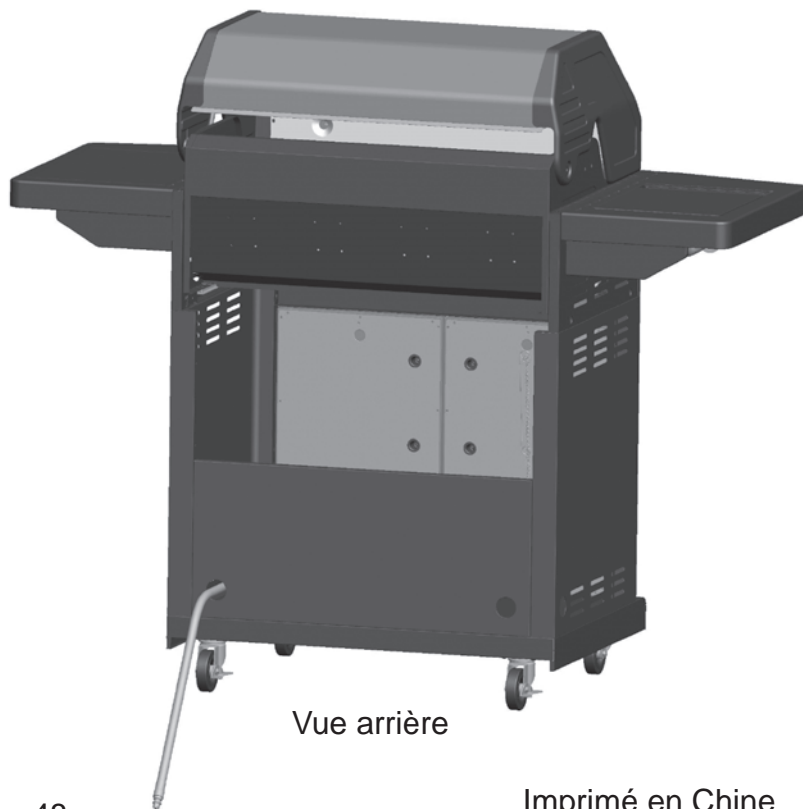
PIÈCE	DESCRIPTION	N° DE PIÈCE
1	Ensemble de couvercle du barbecue	70-01-115
2	Jauge de température et écrou	102-02005
3	Collerette pour une poignée de couvercle de 25 mm (ensemble de une)	101-12004
4	Poignée de couvercle de 25 mm de diamètre; comprend les vis de fixation	113-12003
5	Pivots de couvercle et goupilles fendues (ensemble de deux)	101-02007
6	Couvercle de la table de service	113-04004
7	Cuvette de table de service	113-14004
8	Table de service de gauche	113-14003
9	Grille de brûleur latéral	103-04006
10	Brûleur latéral avec tube de venturi et vis de fixation	123-04005
11	Pivot de charnière du brûleur latéral (ensemble de un)	113-24004
12	Support de fixation du robinet du brûleur latéral	113-14005
13	Électrode d'allumage du brûleur latéral	113-03022
14	Fil d'allumage – brûleur latéral	113-03019
15	Grille de maintien au chaud	113-03016
16	Grille de cuisson (ensemble de une)	113-03015
17	Plaque chauffante (ensemble de une)	113-03005
18	Ensemble de table de service de droite	103-04001
19	Cuvette à graisse	113-04013
20	Bac ramasse-graisse	102-04014
21	Support à allumettes avec chaîne et vis de fixation	101-04019
22	Poignée de porte avant du chariot (inclut des vis de fixation)	101-01017-00
23	Manchon de la poignée de porte avant du chariot (ensemble de un)	102-04021
24	Ensemble de porte avant gauche de chariot sans poignée	70-01-106
25	Ensemble de porte avant droite de chariot sans poignée	70-01-107
26	Panneau latéral gauche du chariot	102-04009
27	Traverse supérieure de la porte avant du chariot	103-04009
28	Bouton de commande du brûleur principal (ensemble de un)	102-03009
29	Bouton de commande du brûleur latéral	103-03011
30	Panneau latéral droit de chariot	113-04010
31	Panneau arrière du chariot	103-04008
32	Aimant de porte	113-14020
33	Support du tuyau d'alimentation en gaz naturel	123-04012
34	Roulette sans frein de 7,6 cm avec quatre vis, rondelles plates et rondelles à ressort	103-04018
35	Roulette avec frein de 7,6 cm avec quatre vis, rondelles plates et rondelles à ressort	103-04017
36	Ensemble de foyer du barbecue; inclut les brûleurs, la vanne et l'ensemble de collecteur de gaz naturel, le tuyau d'alimentation en gaz naturel et le panneau de commande, l'allumage électronique, le fil d'allumage et l'électrode	70-01-110
37	Tuyau d'alimentation en gaz naturel de 3,05 m x 0,95 cm	123-03009
38	Ensemble de foyer, avec heurtoirs de couvercle	113-13002
39	Panneau de commande	70-01-109
40	Collerette de bouton de commande du brûleur principal (ensemble de une)	102-03010
41	Collerette de bouton de commande du brûleur latéral (ensemble de une)	103-03014

LISTE DES PIÈCES DE RECHANGE

PIÈCE	DESCRIPTION	N° DE PIÈCE
42	Collecteur et vannes de gaz naturel	123-03007
43	Allumeur électronique	113-03023
44	Tuyau d'entraînement d'allumage	113-13023
45	Brûleur principal	123-03003
46	Électrode d'allumage du brûleur principal	113-03020
47	Fil d'allumage du brûleur principal	113-03017
48	Raccord de débranchement rapide	123-06001
49	Tablette inférieure du chariot	123-04007
s.o.	Trousse de quincaillerie	113-05001
s.o.	Manuel d'instructions et guide d'utilisation	70-10-058



Vue de face



Vue arrière

Dyna-Glò™ PARRILLA A GAS NATURAL DE 4 QUEMADORES CON QUEMADOR LATERAL

MODELO #DGA480SSN/DGA480SSN-D



C US

ANS Z21.58b-2012

CSA 1.6b-2012

Cocina en exteriores

Electrodoméstico a gas

ADJUNTE SU RECIBO AQUÍ

Número de serie _____ Fecha de compra _____



¿Preguntas, problemas, piezas faltantes? Antes de volver a la tienda, llame a nuestro Departamento de Servicio al Cliente al 1-877-447-4768, de 8:30 am - 4:30 pm, hora central, de lunes - viernes o envíe un correo electrónico a customerservice@ghpgroupinc.com.

Información de seguridad	51
Contenido del paquete	53
Aditamentos	54
Preparación	54
Instrucciones de ensamblaje	55
Instrucciones de funcionamiento	63
Cuidado y mantenimiento	64
Solución de problemas	67
Garantía	69
Lista de piezas de repuesto	70

Ensamblador/Instalador: Este manual contiene información importante necesaria para el ensamblaje correcto y el uso seguro del electrodoméstico. Lea y siga todas las advertencias e instrucciones antes de ensamblar y utilizar este electrodoméstico. **Entregue estas instrucciones al consumidor.**

Consumidor/Usuario: Siga todas las advertencias e instrucciones al utilizar este electrodoméstico. **Guarde estas instrucciones para referencia futura.**



PELIGRO:

Si percibe olor a gas:

- 1. Cierre el suministro de gas hacia el electrodoméstico.**
- 2. Apague cualquier llama directa.**
- 3. Abra la tapa.**
- 4. Si el olor persiste, manténgase alejado del electrodoméstico y llame de inmediato a su proveedor de gas o al departamento de bomberos.**



ADVERTENCIA:

1. No almacene ni utilice gasolina u otros líquidos o vapores inflamables cerca de éste u otro electrodoméstico.
2. Un cilindro de gas propano que no esté conectado y en uso no debe almacenarse cerca de éste ni de ningún otro aparato.
3. Esta parrilla es sólo para uso en exteriores y no se debe usar en edificios, garajes, bajo salientes u otras áreas cerradas.
4. No deje la parrilla encendida sin supervisión. Mantenga a los niños y las mascotas alejados de la parrilla en todo momento.



INFORMACIÓN DE SEGURIDAD

Lea y comprenda completamente este manual antes de intentar ensamblar, usar o instalar el producto. Si tiene preguntas relacionadas con el producto, llame al Servicio al Cliente al: 1-877-447-4768, de 8:30 am - 4:30 pm, hora central, de lunes - viernes.

PELIGRO

- No utilice la unidad en un entorno explosivo. No debe haber materiales combustibles, gasolina ni otros vapores o líquidos inflamables cerca de la parrilla.

PROPUESTA 65 DE CALIFORNIA

Los combustibles que se usan en electrodomésticos de combustión a gas o petróleo y los productos de la incineración de dichos combustibles contienen sustancias químicas reconocidas por el estado de California como causantes de cáncer, defectos congénitos u otros daños en el aparato reproductivo. Este producto contiene sustancias químicas, incluido plomo y compuestos de plomo, reconocidas por el estado de California como causantes de cáncer, defectos congénitos u otros daños en el aparato reproductivo. **Lávese las manos después de manipularlo.**

PRECAUCIÓN

- No utilice carbón o líquido para encendedor en la parrilla.
- No use gasolina, queroseno o alcohol para encender la parrilla.
- Esta parrilla no está diseñada para usarse o instalarse en vehículos recreativos y/o botes.
- Siempre abra la tapa de la parrilla lentamente y con cuidado, ya que el calor y el vapor atrapados dentro de la parrilla pueden causarle quemaduras graves.
- Nunca intente operar esta parrilla con propano.
- Siempre utilice una agencia de servicio calificada para instalar todas las tuberías de suministro de gas natural, la válvula de cierre manual y los conectores de conexión rápida.

! ADVERTENCIA

- No coloque la parrilla debajo de construcciones o cobertizos inflamables. Debe haber un espacio de separación mínimo de 91,44 cm (36") desde los lados y la parte posterior de la unidad hasta construcciones de material combustible.

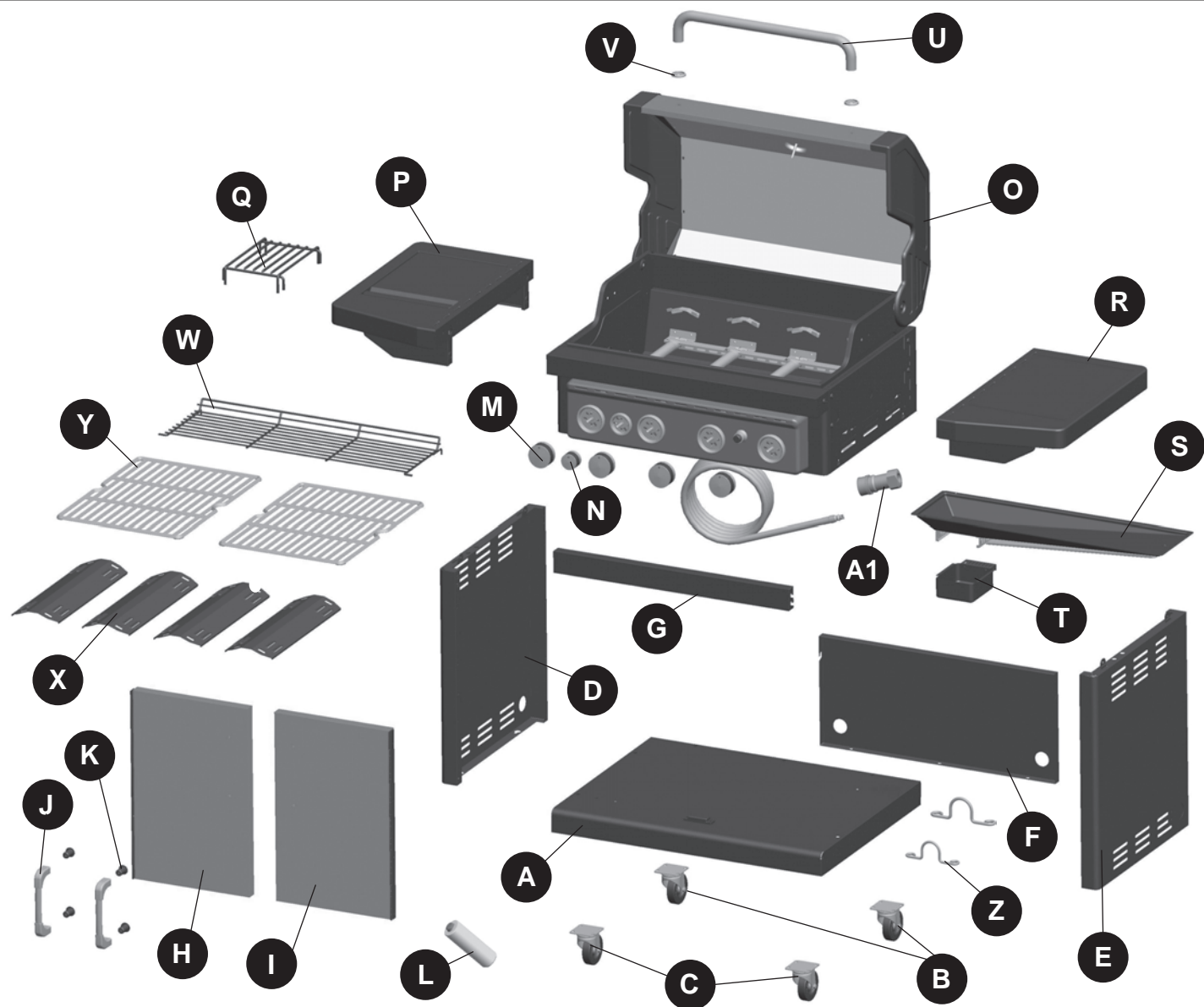
NOTA: La instalación debe cumplir con los códigos locales o, en su defecto, con el National Fuel Gas Code, ANSI Z223.1/NFPA 54, Natural Gas and Propane Installation Code, CSA B149.1, o Propane Storage and Handling Code, B149.2.



! PRECAUCIÓN

- NO almacene ni utilice gasolina ni otros vapores o líquidos inflamables dentro de 8 metros (25 pies) de distancia de éste ni de ningún otro electrodoméstico. No almacene artículos inflamables dentro del carrito de la parrilla.
- Cualquier tanque de gas propano líquido que no esté conectado y en uso debe almacenarse a una distancia mínima de 3 metros de éste o cualquier otro electrodoméstico.
- Esta parrilla debe utilizarse sólo con gas propano (no se incluye el cilindro de gas propano).
- No intente conectar esta parrilla al sistema de gas propano autocontenido de un bote, remolque para camping, casa rodante o casa.
- No intente mover la parrilla mientras está encendida o caliente. Las ruedas deben estar con seguro cuando la parrilla no se esté moviendo.
- No use la parrilla a menos que esté completamente ensamblada y todas las piezas estén ajustadas y apretadas con firmeza.
- Mantenga todos los artículos y las superficies combustibles a una distancia mínima de 91,44 cm (36") de la parrilla en todo momento.
- No toque las piezas metálicas de la parrilla hasta que se hayan enfriado completamente (espere unos 45 minutos) para evitar quemaduras, a menos que utilice artículos de protección (almohadillas, guantes, manoplas para horno, etc...).
- No altere la parrilla de ninguna manera.
- Limpie e inspeccione la manguera antes de cada uso. Si hay evidencia de abrasión, desgaste, cortes o fugas, se debe reemplazar la manguera antes de operar el electrodoméstico. La manguera de reemplazo debe ser la especificada por el fabricante, que se menciona en la lista de piezas de repuesto de este manual.
- Coloque las mangueras de gas lo más lejos posible de superficies calientes y de donde pueda caer grasa caliente.
- Mantenga limpios el compartimiento de la válvula, los quemadores y los pasajes de circulación de aire de la parrilla. Inspeccione la parrilla antes de cada uso. No obstruya el flujo de gas o del aire de ventilación.
- El consumo de alcohol, medicamentos recetados o medicamentos sin receta puede disminuir la capacidad del usuario para armar o utilizar la parrilla de manera segura.
- **No deje la parrilla encendida sin supervisión. Mantenga a los niños y las mascotas alejados de la parrilla en todo momento.**
- No coloque la parrilla sobre ningún tipo superficie de mesa. La parrilla se debe colocar sobre una superficie plana y nivelada.
- No use la parrilla si hay viento fuerte.









CONTENIDO DEL PAQUETE



PIEZA	DESCRIPCIÓN	CANT.
A	Estante inferior	1
B	Rueda con seguro	2
C	Rueda	2
D	Panel lateral izquierdo del carrito	1
E	Panel lateral derecho del carrito	1
F	Panel posterior del carrito	1
G	Soporte de la puerta superior	1
H	Ensamble de la puerta izquierda	1
I	Ensamble de la puerta derecha	1
J	Manija de la puerta	2
K	Manga de la manija de la puerta	4
L	Batería AA	1
M	Quemador principal perilla de control	4
N	Quemador lateral perilla de control	1

PIEZA	DESCRIPCIÓN	CANT.
O	Cuerpo de la parrilla	1
P	Lateral izquierdo ensamble del quemador	1
Q	Cocción lateral del quemador parrilla	1
R	Ensamble de la mesa lateral derecha	1
S	Bandeja de recolección de grasa	1
T	Recipiente de grasa	1
U	Manija de la tapa	1
V	Bisel de la manija de la tapa	2
W	Rejilla para calentar	1
X	Cámara de calor	4
Y	Rejilla de cocción	2
Z	Soporte de la manguera de gas natural	2
A1	Acoplador de desconexión rápida	1

ADITAMENTOS (se muestran en tamaño real)

							
Tornillo M6 x 12 Cant. 29	Arandela lisa Cant. 16	Arandela de resorte Cant. 16	Tornillo M4 x 10 Cant. 14	Tornillo M6 x 20 Cant. 4	Tornillo M6 x 16 Cant. 10	Tornillo M4 x 10 Cant. 4	Tornillo M6 x 25 Cant. 2
			NOTA: Cuatro tornillos preensamblados con estante inferior			NOTA: GG preensamblado en las manijas de las puertas	NOTA: Preensamblado en la manija de la tapa

PREPARACIÓN

Antes de comenzar a ensamblar el producto, asegúrese de tener todas las piezas. Compare las piezas con la lista del contenido del paquete de la página anterior y los aditamentos que aparecen arriba. No intente ensamblar el producto si falta alguna pieza o si éstas están dañadas. Póngase en contacto con el Departamento de Servicio al Cliente para obtener piezas de repuesto.

Tiempo estimado de ensamblaje: 50 minutos con 2 personas.

Herramientas necesarias para el ensamblaje y la prueba de fugas (no se incluyen):
Destornillador Phillips, botella con atomizador

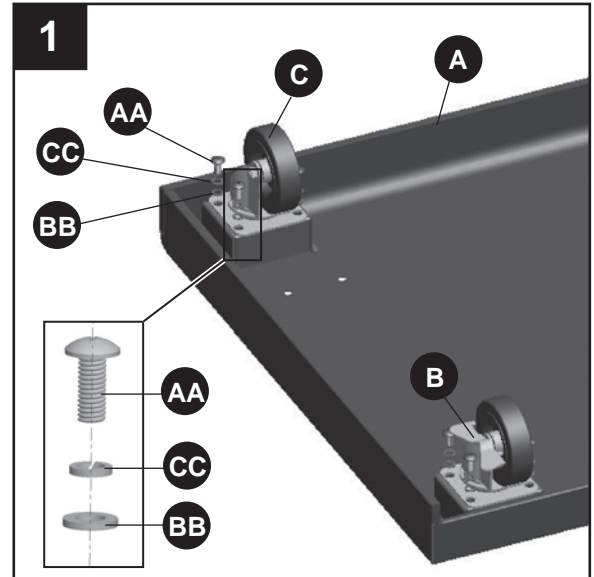
⚠ PRECAUCIÓN

ESTA UNIDAD ES PESADA. SE NECESITAN DOS PERSONAS PARA UN ENSAMBLAJE SEGURO.

Se requieren dos personas para un ensamblaje seguro. Algunas partes pueden presentar bordes filosos. Utilice guantes de protección si es necesario. Lea y siga todas las indicaciones de seguridad, advertencias, instrucciones de ensamblaje, uso y cuidado antes de ensamblar y usar.

INSTRUCCIONES DE ENSAMBLAJE

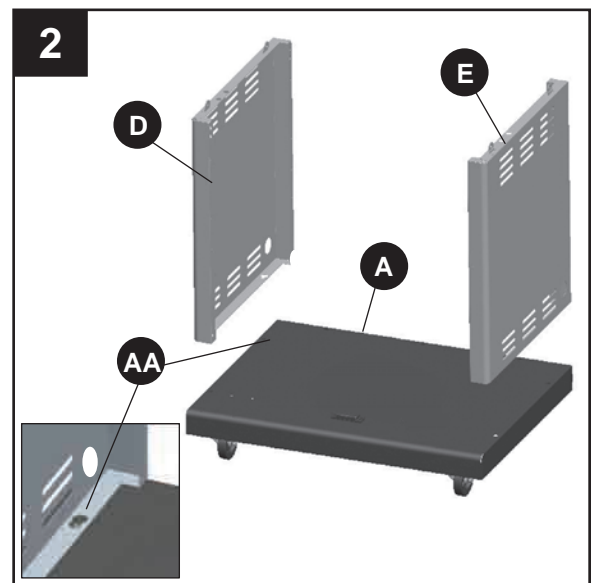
1. Coloque las dos ruedas con seguro (B) y las dos ruedas sin seguro (C). Fije las dos ruedas con seguro (8) a la parte posterior (área del estante inferior con un corte) del estante inferior (A) con cuatro tornillos (AA) insertados en cuatro arandelas de resorte (CC), luego a través de cuatro arandelas lisas (BB) y en los orificios roscados del estante inferior (A). Fije las dos ruedas sin seguro (C) a la parte frontal del estante inferior (A) con cuatro tornillos (AA) insertados en cuatro arandelas de resorte (CC), luego a través de cuatro arandelas lisas (BB) y en los orificios roscados del estante inferior (A). Apriete todos los tornillos.



Aditamentos utilizados

AA	Tornillo M6 x 12		x 16
CC	Arandela de resorte		x 16
BB	Arandela lisa		x 16

2. Inserte 4 tornillos (AA) hasta la mitad en los orificios roscados de la repisa inferior (A). Fije el panel lateral izquierdo del carrito (D) colocando los orificios con forma de cerradura del panel sobre las cabezas de los tornillos (AA) en el costado izquierdo de la repisa inferior (A). Deslice el panel lateral izquierdo del carrito (D) de modo que la cabeza del tornillo quede sobre la parte más pequeña del orificio con forma de cerradura. Ajuste el tornillo (AA) en forma ceñida, pero no apriete ya que se necesitará cierta soltura en los pasos de ensamblaje siguientes. Repita con el panel lateral derecho del carrito (E).



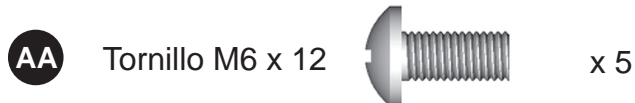
Aditamentos utilizados

AA	Tornillo M6 x 12		x 4
----	------------------	--	-----

INSTRUCCIONES DE ENSAMBLAJE

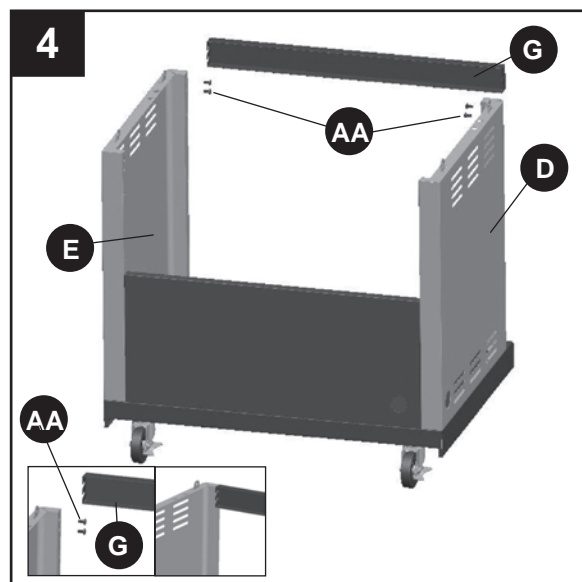
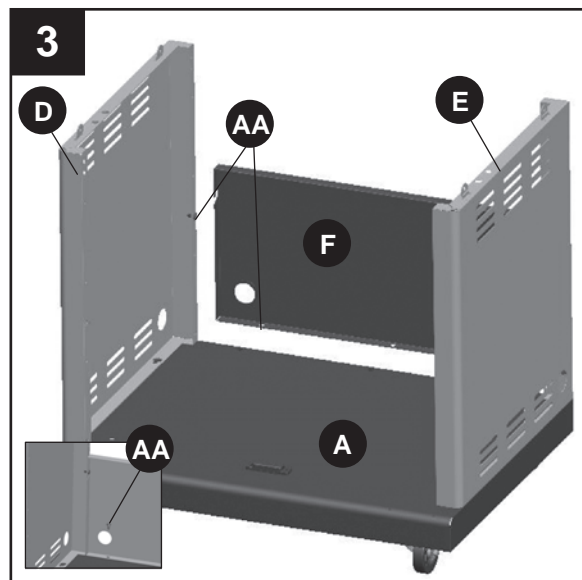
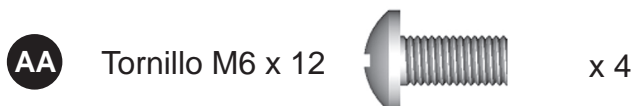
3. Inserte un tornillo (AA) hasta la mitad en el orificio roscado posterior central en ambos paneles laterales del carrito, izquierdo (D) y derecho (E). Fije el panel posterior del carrito (F) deslizándolo en el panel posterior del carrito (F) sobre los tornillos insertados. Deslice el panel posterior del carrito (F) hacia abajo para que entre en contacto con la repisa inferior (A). Fije el panel posterior del carrito (F) a la repisa inferior (A) con 3 tornillos (AA). Apriete todos los tornillos, incluyendo los 2 tornillos en los paneles laterales del carrito (D y E).

Aditamentos utilizados



4. Inserte 2 tornillos (AA) hasta la mitad en los orificios roscados frontales superiores del panel lateral izquierdo (D) y el panel lateral derecho del carrito (E). Fije el soporte de la puerta superior (G) deslizándolo en el soporte de la puerta superior (G) sobre los 4 tornillos (AA) y apretándolos.

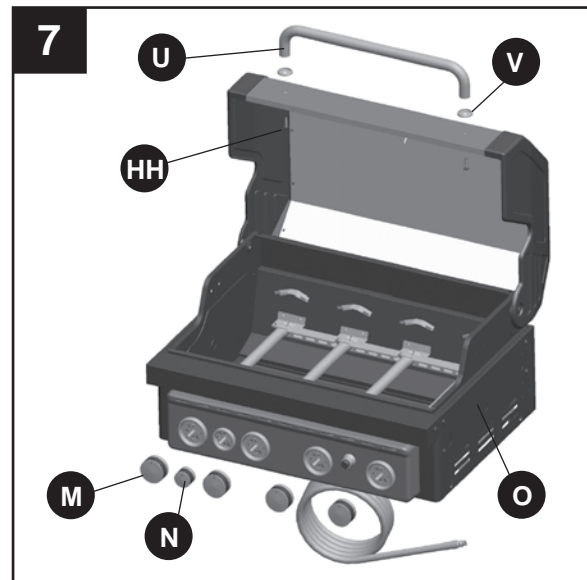
Aditamentos utilizados



INSTRUCCIONES DE ENSAMBLAJE

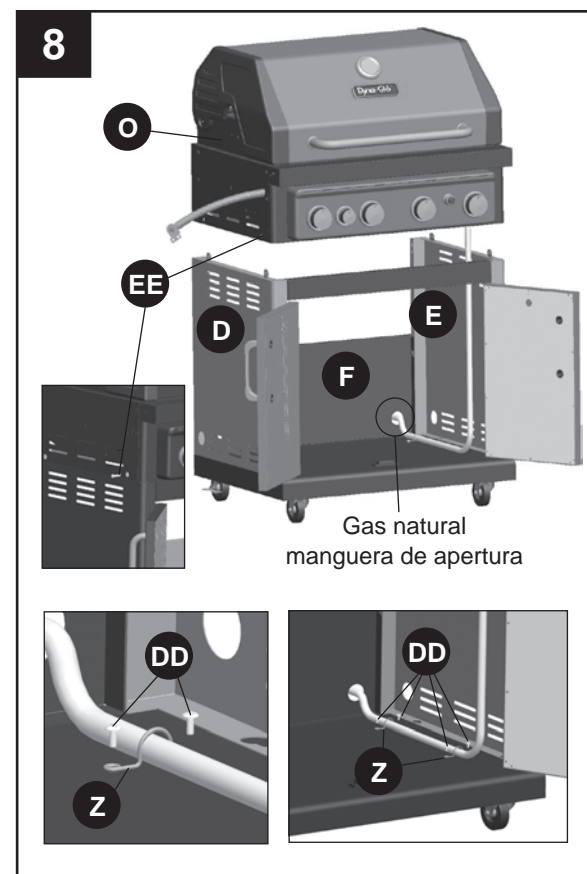
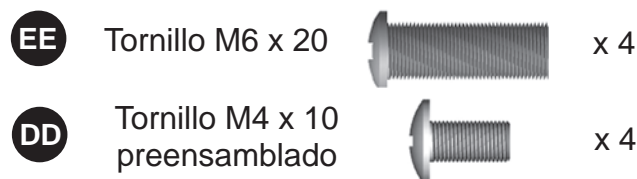
7. Deslice las perillas de control del quemador principal (M) y la perilla de control del quemador lateral (N) en los vástagos de la válvula ubicados en el panel de control frontal del cuerpo de la parrilla (O). Retire los tornillos preensamblados (HH) de la manija de la tapa (U). Fije la manija de la tapa (U) insertando dos tornillos (HH) desde el interior de la tapa del cuerpo de la parrilla (O), a través de los biselados de la manija de la tapa (V), en la manija (U) y apretando bien.

Aditamentos utilizados



8. Fije las dos ruedas posteriores para asegurarse de que el carrito no se mueva. Coloque cuidadosamente el cuerpo de la parrilla (O) sobre las lengüetas de montaje de los paneles laterales del carrito (D y E) y sobre el carrito. Ajuste el cuerpo de la parrilla (O) de modo que los orificios del cuerpo de la parrilla (O) estén alineados con los orificios de las lengüetas de los paneles laterales del carrito (D y E). **NOTA:** Asegúrese de que la manguera de gas natural caiga por el interior del carrito y salga a través de la abertura del panel posterior del carrito (F). Asegure el cuerpo de la parrilla (O) con 2 tornillos (EE) en cada costado. Instale los soportes de la manguera de gas natural (Z) retirando los tornillos (DD) de los orificios pretaladrados de la repisa inferior (A), alineando los soportes de la manguera de gas natural (Z) con los orificios pretaladrados y sobre la manguera de gas natural, y asegurando con los tornillos (DD).

Aditamentos utilizados



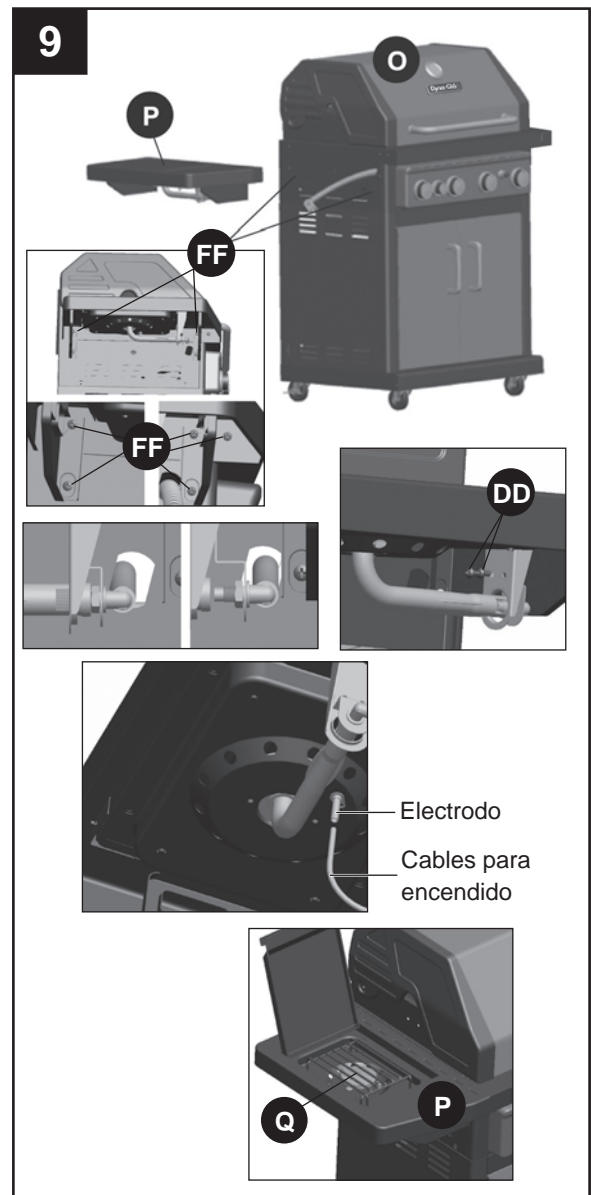
INSTRUCCIONES DE ENSAMBLAJE

9. Fije dos tornillos (FF) al cuerpo de la parrilla (O), como se muestra. No apriete completamente los tornillos (deje aproximadamente 5 mm). Alinee los orificios con forma de cerradura del ensamble del quemador lateral izquierdo (P) con los dos tornillos (FF) que acaba de instalar en el cuerpo de la parrilla (O) y apriete los tornillos. Inserte tres tornillos (FF) en los orificios restantes de los soportes y apriételes. Alinee los tubos del quemador lateral con el orificio del quemador lateral e inserte los tubos en el orificio.

Use 2 tornillos (DD) para asegurar el orificio del quemador lateral y el soporte del orificio del quemador lateral al soporte del quemador lateral. Fije los cables de ignición al electrodo. Alinee los orificios con forma de cerradura en la bandeja del quemador con la rejilla de cocción del quemador lateral (Q) y fije en el lugar.

Aditamentos utilizados

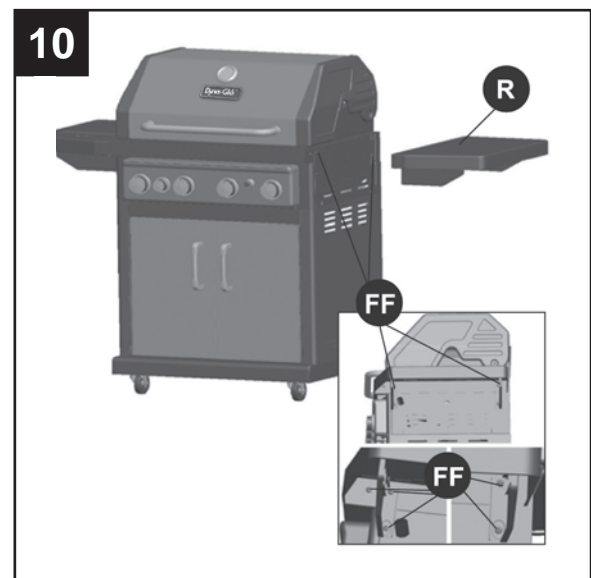
- DD** Tornillo M4 x 10 x 2
- FF** Tornillo M6 x 16 x 5



10. Instale dos tornillos (FF) en el cuerpo de la parrilla (O). No los apriete completamente. (Deje aproximadamente 5 mm). Alinee los orificios con forma de cerradura en el ensamble de la repisa derecha (R) con los dos tornillos (FF) que acaba de instalar en el cuerpo de la parrilla (O) y apriete los tornillos. Inserte tres tornillos (FF) en los orificios restantes de los soportes y apriételes.

Aditamentos utilizados

- FF** Tornillo M6 x 16 x 5

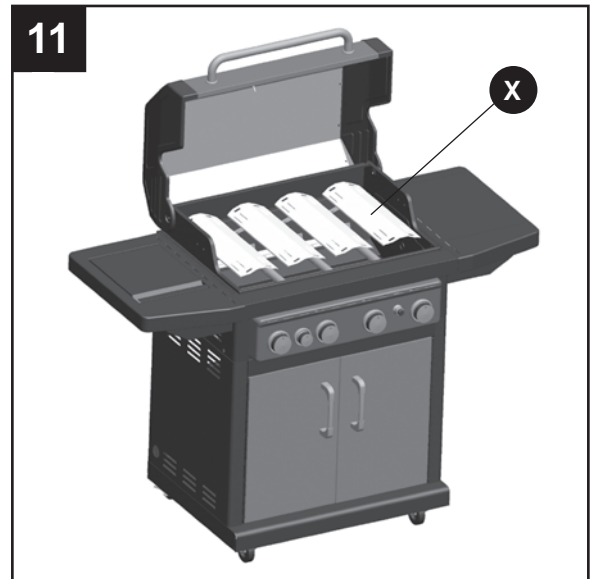


INSTRUCCIONES DE ENSAMBLAJE

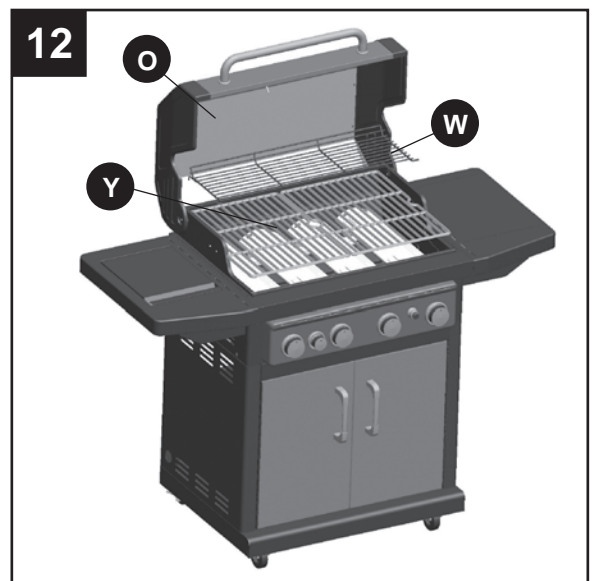
⚠ ADVERTENCIA: ES MUY IMPORTANTE VERIFICAR Y ASEGURARSE DE QUE TODOS LOS QUEMADORES ESTÉN COMPLETAMENTE ACOPLADOS CON EL ORIFICIO DE LA VÁLVULA ADYACENTE ANTES DE FINALIZAR EL PASO 11. NO HACERLO PODRÍA PROVOCAR UN INCENDIO O UNA EXPLOSIÓN, LO QUE POSIBLEMENTE CAUSARÍA LESIONES GRAVES O LA MUERTE. CONSULTE LAS INSTRUCCIONES DE MANTENIMIENTO PARA VERIFICAR ADECUADAMENTE EL ACOPLAMIENTO.



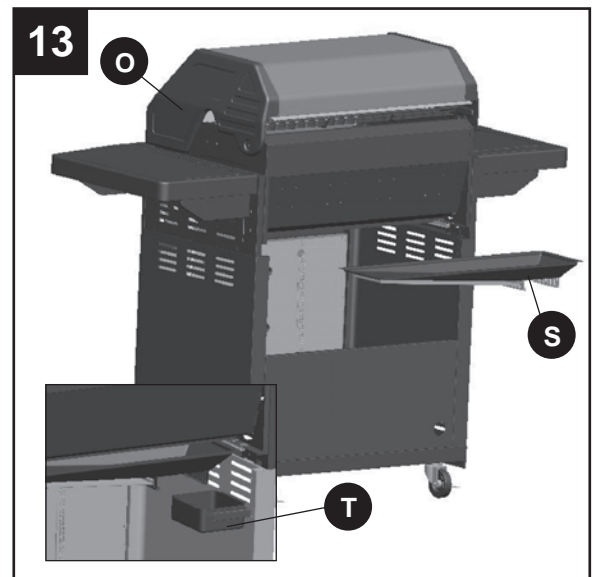
11. Abra la tapa y coloque cuatro cámaras de calor (X) en las abrazaderas directamente sobre los quemadores.



12. Coloque las rejillas de cocción (Y) en los soportes del cuerpo de la parrilla y en el panel posterior de la parrilla, luego inserte la rejilla para calentar (W) en los 2 orificios ubicados en el borde posterior del cuerpo de la parrilla (O).

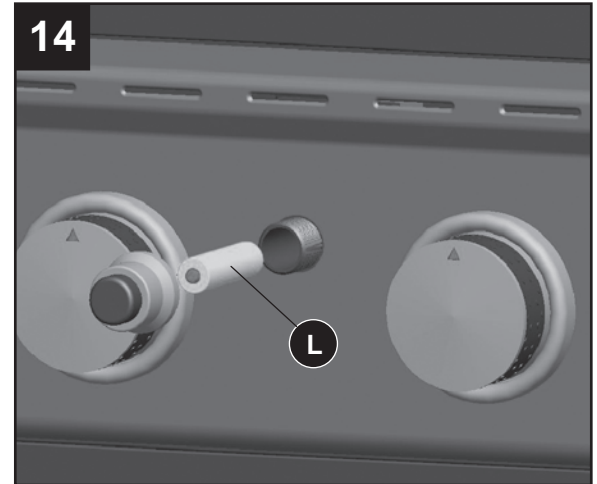


13. Inserte la bandeja de recolección de grasa (S) en posición deslizándola en el cuerpo de la parrilla (O) desde la parte posterior, a lo largo de los rieles ubicados justo bajo la parte inferior del cuerpo de la parrilla (O). Inserte el recipiente para grasa (T) en posición deslizándolo sobre los rieles ubicados en la parte inferior del recipiente para grasa (S).



INSTRUCCIONES DE ENSAMBLAJE

14. Retire la tapa del encendedor girándola en dirección contraria a las manecillas del reloj. Inserte la batería AA (L) en el cuerpo del encendedor con el extremo Positivo (+) hacia afuera. Vuelva a colocar la tapa del encendedor.

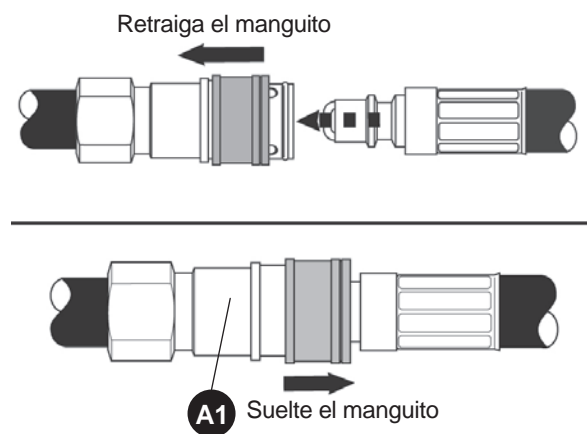


CONEXIÓN DE LA PARRILLA AL SUMINISTRO DE GAS NATURAL

- El socket de desconexión rápida (A1) y la tubería de gas de suministro lo debe instalar una agencia de servicio calificada. La conexión de suministro se debe realizar de acuerdo con los códigos locales o, en su ausencia, el National Fuel Gas Code, ANSI Z223.1/NFPA 54, en los Estados Unidos, o el Natural Gas and Propane Installation Code, CSA B149.1, en Canadá.
- Se debe instalar una válvula de cierre manual de tamaño adecuado entre la parrilla y la tubería de suministro.
- La parrilla y su válvula de cierre individual se deben desconectar del sistema de tubería de suministro de gas durante cualquier procedimiento de prueba del sistema a presiones de prueba que excedan los 0,5 PSI/3,5 kPa).
- La parrilla se debe desconectar del sistema de tuberías de suministro de gas cerrando la válvula de cierre manual individual durante cualquier prueba de presión del sistema de tuberías de suministro de gas a presiones iguales o inferiores a 0,5 PSI (3,5 kPa).
- Siempre conecte la manguera de suministro de gas flexible al suministro de gas antes de operar la válvula de cierre manual.

PARA CONECTAR:

1. Asegúrese de que la válvula de cierre de gas manual esté cerrada.
2. Retire las tapas protectoras de goma del tapón y los extremos de los manguitos de los conectores de conexión rápida. Verifique que los conectores estén limpios.
3. Retraiga el manguito en el acoplador como se muestra.
4. Inserte el tapón y libere el manguito como se muestra.
5. Presione el tapón en el manguito hasta que el manguito encaje hacia delante para fijar el tapón en el acoplador.
6. Abra la válvula de cierre de gas manual.



PARA DESCONECTAR

1. Cierre la válvula de cierre manual.
2. Tire del manguito y jale suavemente el tapón hasta sacarlo.
3. Vuelva a colocar las tapas protectoras de goma en el tapón y los extremos de los manguitos de los conectores de desconexión rápida.

⚠ ADVERTENCIA

En el proceso de conexión, asegúrese de que:

- La manguera de suministro de gas no entre en contacto con la cámara de combustión.

BÚSQUEDA DE FUGAS

Después de realizar todas las conexiones, verifique que no haya fugas en todas las conexiones y los conectores del conector rápido de gas natural, la manguera de gas y el tubo colector con una solución de agua y jabón.

Para evitar incendios o explosiones mientras realiza la prueba de fugas:

- Siempre realice la prueba de fugas antes de encender la parrilla.
- No fume mientras realiza la prueba de fugas.
- Siempre realice las pruebas de fugas en exteriores, en un área bien ventilada.
- No use ninguna fuente de fuego mientras realiza la prueba de fugas.
- No use la parrilla hasta que corrija todas las fugas.
- Si no puede corregir una fuga, cierre la válvula de cierre manual y llame a una agencia de servicio de electrodomésticos a gas.

CÓMO REALIZAR LA PRUEBA DE FUGAS

- Prepare una solución para pruebas de fugas combinando 1 parte de detergente líquido para platos y 3 partes de agua.

La solución total que se requiere es aproximadamente 59,15 a 88,72 ml (2 a 3 oz).

Coloque la solución para pruebas de fugas en un atomizador.

- Asegúrese de que todas las perillas de control estén en la posición **○ APAGADO**.
- Conecte la manguera de gas al suministro de gas.
- Abra la válvula de cierre de gas.
- Rocíe la solución para pruebas de fugas en todas las conexiones y los conectores por donde circule gas. La presencia de burbujas en áreas donde se aplicó la solución para pruebas de fugas indica que hay una fuga de gas. Si se detectan fugas de gas o huele o escucha gas, cierre la válvula de suministro de gas inmediatamente y repare o reemplace la pieza defectuosa. No use la parrilla hasta que haya reparado todas las fugas.

⚠ PRECAUCIÓN

Use solamente el ensamble del regulador y la manguera incluido. Si necesita un repuesto, llame a nuestro centro de servicio al cliente. No use piezas de repuesto que no están diseñadas para esta parrilla.

⚠ ADVERTENCIA

SE DEBEN SEGUIR TODAS LAS INSTRUCCIONES Y MEDIDAS DE SEGURIDAD DE ESTA PÁGINA PARA EVITAR INCENDIOS, DAÑOS Y/O LESIONES.

INSTRUCCIONES DE FUNCIONAMIENTO

ENCENDIDO DE LA PARRILLA

Antes del primer uso:

Retire todo elemento colgante o correas de plástico, si las hay. Antes de cocinar en la nueva parrilla a gas, es importante limpiar la parrilla con calor. Para hacerlo, haga funcionar la parrilla durante aproximadamente 15 minutos con la tapa cerrada y la perilla de control en la posición más alta. Esto limpiará las piezas internas quemando cualquier residuo y disipará el olor del proceso de fabricación.

⚠ PRECAUCIÓN


Si la llama se extingue accidentalmente durante el encendido o el funcionamiento, CIERRE inmediatamente la válvula de cierre de gas manual y luego APAGUE la perilla de control.

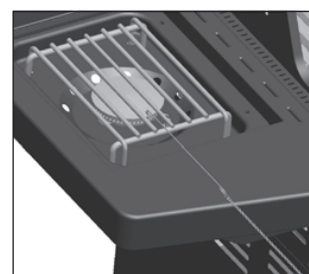
⚠ ADVERTENCIA

No se incline sobre la parrilla al encenderla. Lea las instrucciones antes de encender la parrilla.

1. Verifique que las perillas de control estén en la posición **○ APAGADO**.
2. Abra la válvula de cierre de gas natural.
3. Abra la tapa durante el encendido.
4. Presione el encendedor 3 a 4 segundos mientras gira la perilla de control lateral derecha a la posición **🔥 ALTA**. El quemador debe encenderse.
Si el quemador no enciende en 5 segundos, gire de inmediato la perilla de control a la posición **○ APAGADO**. Espere 5 minutos y repita el paso 4 que aparece anteriormente o consulte las instrucciones de encendido con fósforo que aparecen a continuación.
5. Repita el paso 4 que aparece anteriormente para encender el quemador lateral izquierdo.
Si el quemador de todas formas no enciende, verifique que la válvula de cierre de gas manual esté abierta y siga las instrucciones de encendido con fósforos.



ENCENDIDO DE LA PARRILLA CON UN FÓSFORO

1. Coloque un fósforo en el extremo del contenedor de fósforos instalado en el interior de la puerta del gabinete.
2. Encienda el fósforo.
3. Inmediatamente introduzca el fósforo encendido en el orificio de 1,91 cm (0,75") del costado del cuerpo de la parrilla que esté más cerca del quemador que desea encender. Asegúrese de que el fósforo encendido esté cerca de los orificios del quemador.
4. Presione la perilla de control que opera ese quemador y gírela en dirección  contraria a las manecillas del reloj hasta la posición **🔥 ALTA** y el quemador debería encenderse de inmediato.
5. Ajuste los quemadores según el nivel de cocción deseado.



Si se deben encender ambos quemadores, repita los pasos 1 a 4 para encender el otro quemador.

INSTRUCCIONES DE APAGADO

1. Gire las perillas de control en la  dirección de las manecillas del reloj hacia la posición **○ APAGADO**.
2. Cierre la válvula del tanque completamente girándola en la  dirección de las manecillas del reloj.
3. Cierre la tapa.

Cierre la válvula de cierre de gas manual cuando la parrilla no esté en uso.

CUIDADO Y MANTENIMIENTO

REJILLAS DE COCCIÓN

El mejor momento para “quemar” la suciedad las rejillas de cocción es después de cada uso (aproximadamente 15 minutos). La parrilla ya está caliente desde la cocción, por lo tanto, requiere menos combustible para obtener la temperatura necesaria para “quemar” la suciedad.

Para “quemar” la suciedad o limpiar con calor la parrilla, gire los quemadores a la posición máxima y déjelos encendidos durante 15 minutos con la tapa cerrada. Luego apague los quemadores y use un cepillo de alambre para limpiar el exceso de residuos de alimentos de las rejillas.

Las rejillas de porcelana tienen un acabado de esmalte (similar al vidrio) y se deben manipular con cuidado para no descascararlas.

⚠ PRECAUCIÓN

Asegúrese de que la parrilla esté fría antes de limpiar y realizar mantenimiento y de que tenga el suministro de gas cortado en la válvula de cierre de gas manual.

ARTÍCULOS DE LIMPIEZA RECOMENDADOS

Detergente líquido suave para platos, agua tibia, almohadilla de limpieza de nailon, cepillo de alambre. NO use limpiadores que contengan ácido, aguarrás ni ninguna sustancia abrasiva.

SUPERFICIES EXTERIORES

Se recomienda usar sólo detergente para platos suave y agua caliente para limpiar la parrilla y sus piezas. Enjuague con agua tibia.

BANDEJA INFERIOR INTERIOR DEL CUERPO DE LA PARRILLA

Para evitar llamaradas, la bandeja inferior de la cámara de cocción se debe mantener limpia de forma regular. Retire los residuos con un cepillo, raspador y/o almohadilla de limpieza. Lave con detergente para platos suave y agua tibia. Enjuague con agua tibia. Evite salpicar agua en los tubos venturi de los quemadores.

CÁMARAS DE CALOR

Limpie los residuos con un cepillo de alambre y lave con detergente para platos suave y agua tibia. Enjuague con agua tibia.

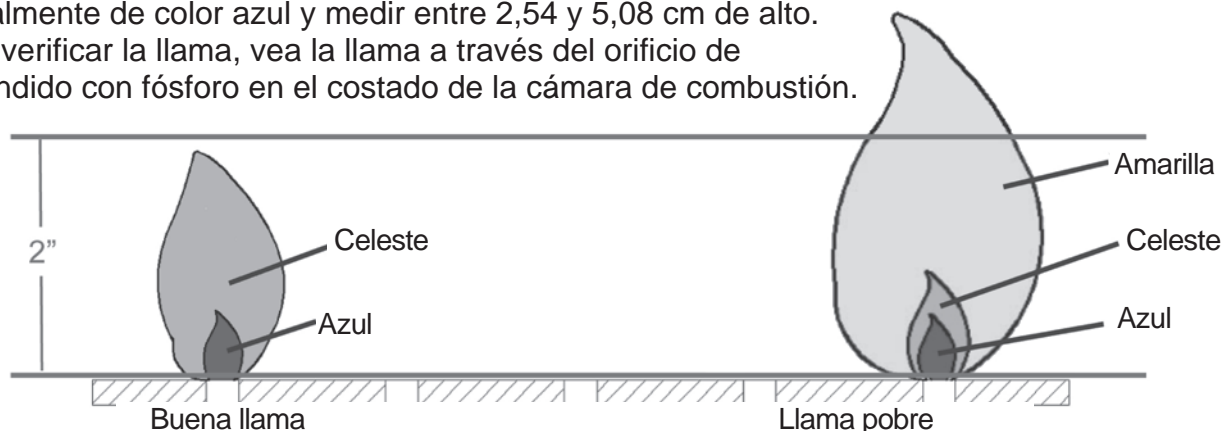
RECIPIENTE DE GRASA

Vacíe el recipiente de grasa y limpie con detergente para platos suave y agua tibia de forma regular.

VERIFICACIÓN DE LA LLAMA

Para una máxima eficiencia del combustible y rendimiento de cocción, la llama debe ser en su mayoría o totalmente de color azul y medir entre 2,54 y 5,08 cm de alto.

Para verificar la llama, vea la llama a través del orificio de encendido con fósforo en el costado de la cámara de combustión.



CUIDADO Y MANTENIMIENTO

ENSAMBLE DEL QUEMADOR

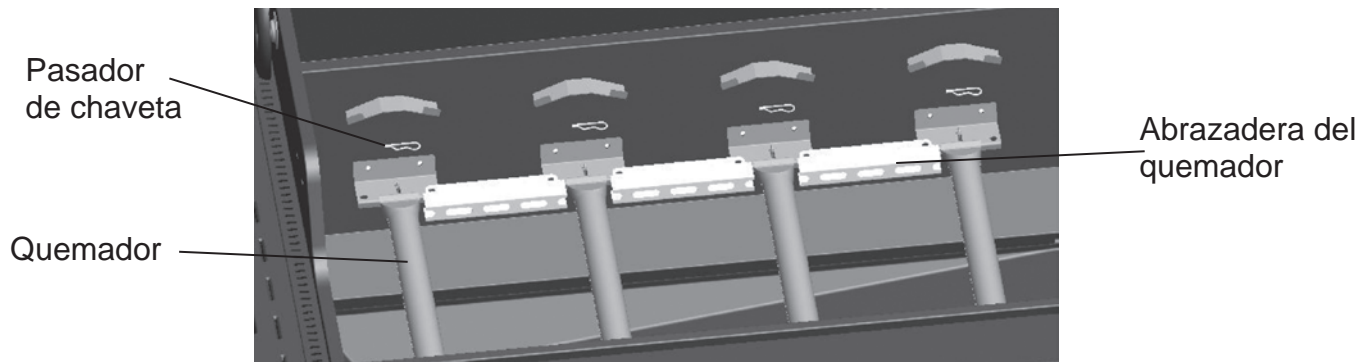
EXTRACCIÓN DEL ENSAMBLE DEL QUEMADOR

1. Asegúrese de que todas las perillas de control se encuentran en la posición de OFF, que la válvula del tanque de PL está cerrada y que el tanque está desconectado del regulador y alejado de la parrilla.

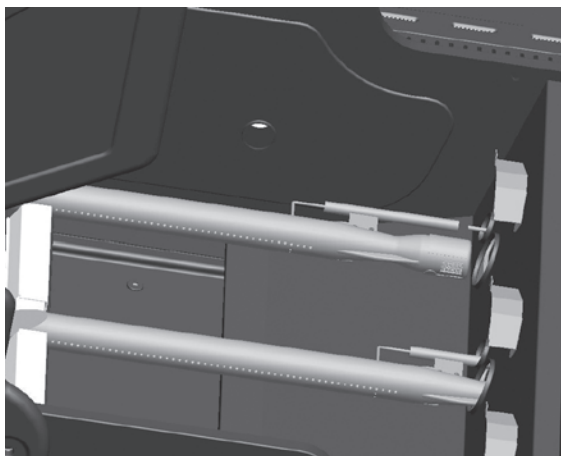
2. Abra la tapa y retire la rejilla para calentar, las rejillas de cocción y las cámaras de calor.



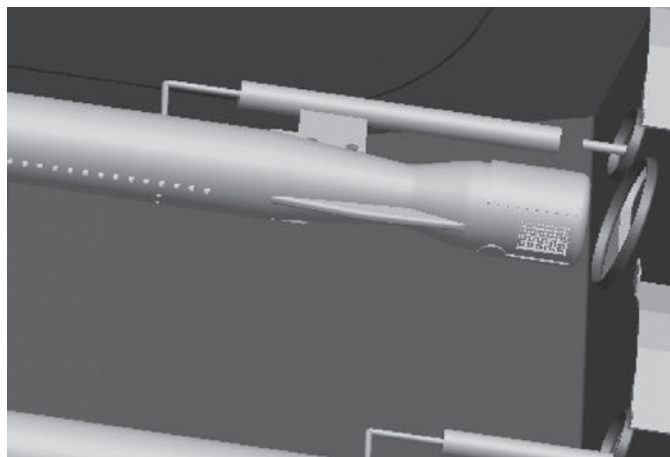
3. Retire los pasadores de chaveta de la parte posterior de los quemadores para extraerlos de las abrazaderas.



4. Deslice los quemadores fuera de la cámara de combustión como se muestra.



5. Retire el cable de encendido del encendedor como se muestra.



CUIDADO Y MANTENIMIENTO

LIMPIEZA DEL ENSAMBLE DEL QUEMADOR – Asegúrese de que la parrilla esté fría

1. Corte el gas en la válvula de suministro de gas manual.
2. Desconecte el cilindro de gas PL de la manguera y el regulador.
3. Retire la rejilla para calentar, las rejillas de cocción y las cámaras de calor.
4. Retire el quemador sacando los pasadores de chaveta de la parte posterior de los quemadores para extraerlos de la abrazadera.
5. Retire el cable de encendido del electrodo a mano solamente. NO use pinzas ni ninguna otra herramienta ya que podría dañar el electrodo o el cable.
6. Levante el quemador lentamente.
7. Asegúrese de que todos los orificios del quemador estén libres de obstrucciones. Utilizar un pasador o sujetapapeles funciona bien.
8. Asegúrese de que el quemador no tenga ningún daño. Si el quemador está dañado, reemplácelo por uno nuevo.
9. Asegúrese de que el extremo del quemador y la pantalla para aire primaria estén libres de nidos de insectos, polvo o desechos.

REINSTALACIÓN DEL QUEMADOR

Asegúrese de que los orificios estén en la posición correcta dentro de la entrada (venturi) del quemador. Es posible que necesite una linterna para garantizar la posición correcta.

Se recomienda ver la posición correcta por los orificios de ventilación de la cámara de combustión como se ilustra a continuación.



⚠ ADVERTENCIA

Si no siguen las instrucciones que aparecen anteriormente, podría producirse un incendio o una explosión y causar lesiones graves o la muerte.

OTROS CUIDADOS Y MANTENIMIENTO

Se recomienda que un técnico calificado realice una inspección y mantenimiento anual en este electrodoméstico.

Se recomienda que verifique regularmente que no haya materiales combustibles, gasolina ni otros vapores o líquidos inflamables cerca de la zona donde está el electrodoméstico para cocción a gas para exteriores.

Se recomienda que verifique regularmente que el flujo de aire de combustión y ventilación no esté obstruido.

Se recomienda que verifique regularmente que no haya desechos en las aberturas de ventilación del compartimiento del cilindro (gabinete).

Se recomienda que verifique y limpie regularmente el quemador y los tubos venturi para que no haya nidos de insectos. Un tubo obstruido puede ocasionar un incendio debajo de la parrilla.

CUIDADO Y MANTENIMIENTO

El encendido electrónico requiere 1 batería alcalina "AA", que viene incluida.

! ADVERTENCIA

NO mezcle baterías antiguas con nuevas.

NO mezcle baterías alcalinas, estándar (carbono-zinc) o recargables (níquel-cadmio).

NO se deshaga de las baterías en el fuego. Desechar las baterías indebidamente podría provocar que éstas exploten o tengan fugas.

SOLUCIÓN DE PROBLEMAS

Si tiene preguntas relacionadas con el producto, llame al Servicio al Cliente al 1-877-447-4768, de 8:30 am - 4:30 pm, hora central, de lunes - viernes.

PROBLEMA	CAUSA POSIBLE	ACCIÓN CORRECTIVA
El quemador no se enciende con el procedimiento del encendedor (se genera una chispa débil o no se genera ninguna).	<ol style="list-style-type: none">1. El electrodo del encendedor puede estar cubierto de grasa o residuos.2. El electrodo del encendedor puede tener un cable suelto o desconectado.3. El electrodo del encendedor está roto o descompuesto.4. La batería está agotada o mal conectada.	<ol style="list-style-type: none">1. Limpie el electrodo del encendedor.2. Verifique la conexión y vuelva a conectar cualquier cable suelto o desconectado.3. Reemplace el electrodo del encendedor (consulte la lista de piezas de repuesto).4. Realice cualquiera de las siguientes acciones:<ol style="list-style-type: none">a. Reemplace la batería.b. Verifique que la batería esté insertada correctamente.c. Verifique que no haya corrosión alrededor de los terminales de la batería.d. Verifique la conexión de los cables como se indica anteriormente.
Llamaradas excesivas.	<ol style="list-style-type: none">1. Hay grasa y/o residuos acumulados en las cámaras de calor o en la cámara de combustión.2. Hay un goteo de grasa o marinado desde los alimentos.3. La temperatura de cocción es demasiado alta.	<ol style="list-style-type: none">1. Limpie los componentes de la parrilla.2. Corte la grasa de la carne y use marinados que no sean a base de aceite.3. Baje la temperatura según corresponda.

SOLUCIÓN DE PROBLEMAS

PROBLEMA	CAUSA POSIBLE	ACCIÓN CORRECTIVA
El quemador no se enciende con un fósforo.	<ol style="list-style-type: none"> 1. El fósforo no alcanza los quemadores (al sostenerlo con la mano). 2. El suministro de gas está cerrado. 3. Hay una mala conexión entre el conector del tapón de la manguera de gas y el acoplador de los manguitos. 4. La entrada del quemador está bloqueada. 	<ol style="list-style-type: none"> 1. Use el soporte para fósforos que se encuentra en la puerta del gabinete. 2. Verifique que la válvula de cierre de suministro de gas manual esté abierta. 3. Apague las perillas de la parrilla, cierre la válvula de cierre de suministro de gas y verifique la conexión entre el tapón y el acoplador de los manguitos. Desconecte y vuelva a conectar, si es necesario. 4. Limpie la entrada del quemador (venturi) y el quemador como se describe en la sección Cuidado y mantenimiento de este manual.
No hay flujo de gas o éste está obstruido.	<ol style="list-style-type: none"> 1. El suministro de gas está cerrado. 2. Hay una mala conexión entre el conector del tapón de la manguera de gas y el acoplador de los manguitos. 3. La entrada del quemador está bloqueada. 	<ol style="list-style-type: none"> 1. Verifique que la válvula de cierre de suministro de gas manual esté abierta. 2. Apague las perillas de la parrilla, cierre la válvula de cierre de suministro de gas y verifique la conexión entre el tapón y el acoplador de los manguitos. Desconecte y vuelva a conectar, si es necesario. 3. Limpie la entrada del quemador (venturi) y el quemador como se describe en la sección Cuidado y mantenimiento de este manual.
El calor es bajo.	<ol style="list-style-type: none"> 1. Hay una presión de gas insuficiente en la unidad. 	<ol style="list-style-type: none"> 1. Llame a una agencia de servicio calificada para verificar la presión de suministro de gas y corrija la presión.

GARANTÍA LIMITADA

1 año de garantía limitada

Esta parrilla a gas natural está garantizada por 1 año (5 años en los quemadores de acero inoxidable) contra piezas rotas o dañadas desde la fecha de compra. Se garantiza que está libre de defectos. La pintura está garantizada contra defectos, salvo la oxidación, la cual puede aparecer después del uso repetido.

Esta garantía no cubre daños o problemas ocasionados por negligencia, abuso o modificaciones al electrodoméstico. Los gastos de reparación no están cubiertos.

Todas las piezas que cumplan con los requisitos de la garantía se enviarán sin cargo por el medio que decida el fabricante (envíos por tierra, correo de EE.UU. o servicios de paquetes postales ÚNICAMENTE). Cualquier otro gasto especial de manipulación (es decir, envíos de dos días, al día siguiente, etc.) será de responsabilidad del cliente.

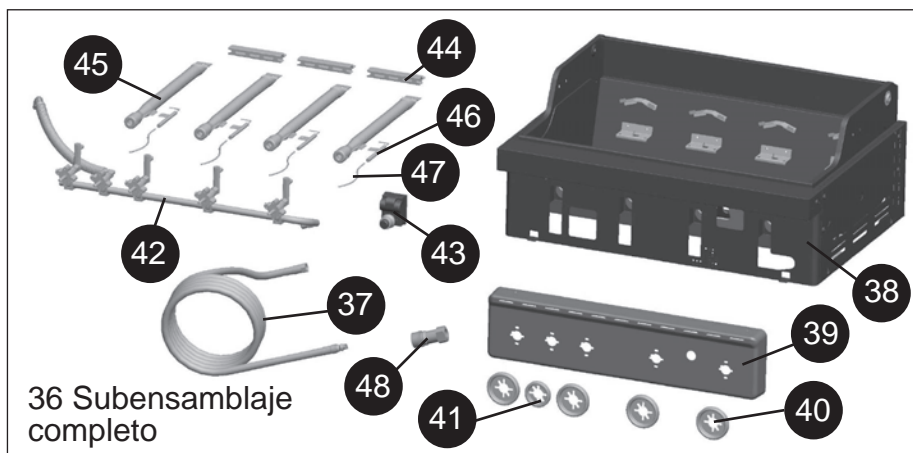
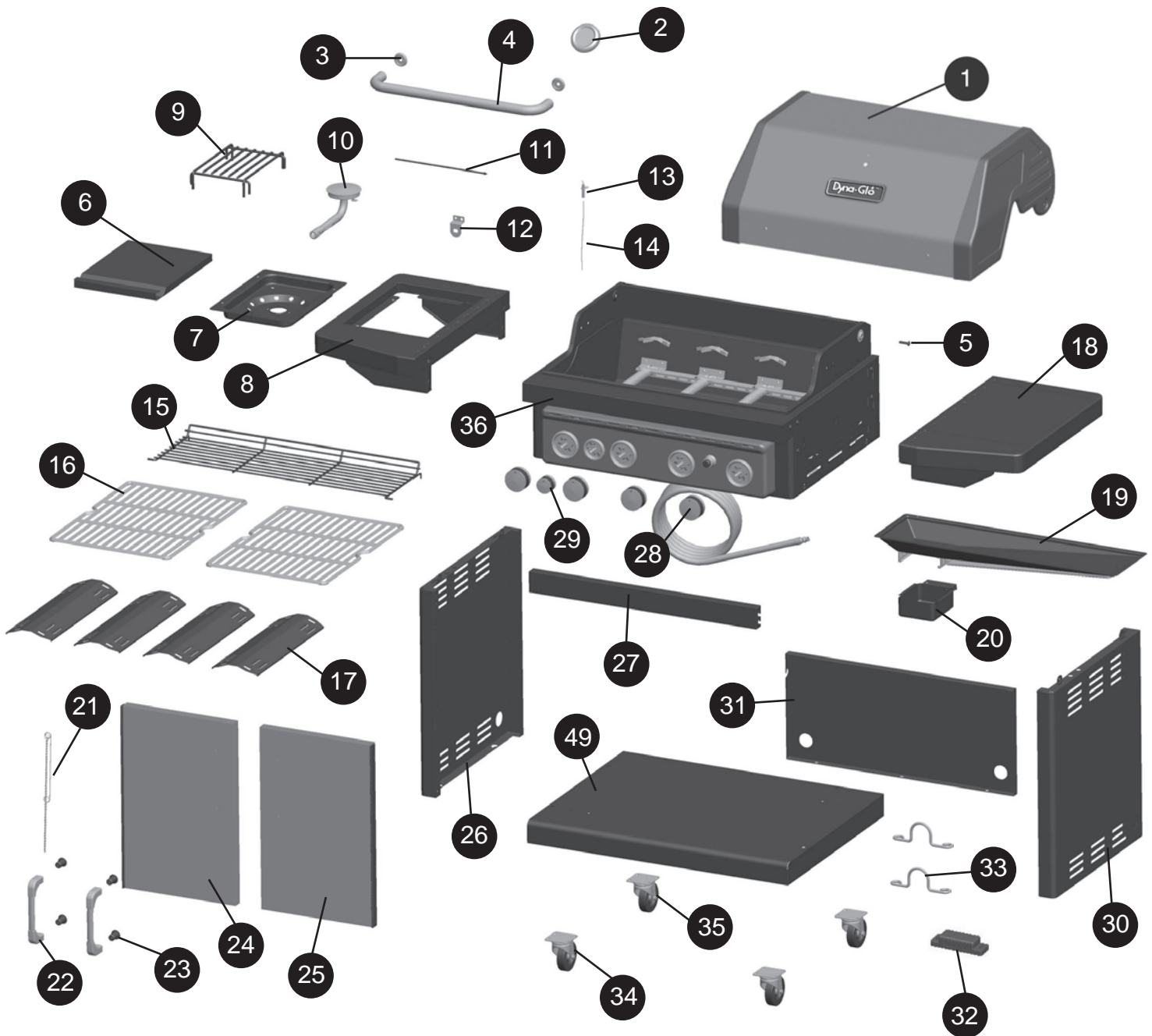
Todos las reclamaciones de garantía se aplican sólo al comprador original y requieren un comprobante de compra para verificar la fecha de la misma. No devuelva piezas sin antes obtener un número de autorización para la devolución de nuestro Servicio al Cliente. Este servicio está disponible llamando gratis al 1-877-447-4768, de 8:30 am - 4:30 pm, hora central, de lunes - viernes.

AVISO: Algunos estados no permiten la exclusión o limitación de daños accidentales o resultantes, o limitaciones en cuanto al período de duración de una garantía, de modo que las limitaciones o exclusiones anteriores pueden no aplicarse a usted. Esta garantía le otorga derechos legales específicos, pero podría tener también otros derechos legales que varían según el estado.

GHP Group Inc.
6440 W. Howard St.
Niles, IL, USA
60714-3302

Nombre del artículo: Parrilla a gas natural de 4 quemadores con quemador lateral
Modelo #: DGA480SSN/DGA480SSN-D
Clasificación de BTU: 60.000 BTU/Hr

LISTA DE PIEZAS DE REPUESTO



LISTA DE PIEZAS DE REPUESTO

Para obtener piezas de repuesto, llame a nuestro Departamento de Servicio al Cliente al 1-877-447-4768, de 8:30 am - 4:30 pm, hora central, de lunes - viernes

REF.	DESCRIPCIÓN	PIEZA #
1	Ensamble de la tapa de la parrilla	70-01-115
2	Medidor de temperatura y tuerca	102-02005
3	Bisel para la manija de la tapa de 25 mm (paquete de 1)	101-12004
4	Manija de la tapa de 25 mm de diámetro: Incluye tornillos de fijación	113-12003
5	Pasadores giratorios de la tapa: Con pasadores de chaveta (paquete de 2)	101-02007
6	Cubierta de la mesa lateral	113-04004
7	Recipiente de la mesa lateral	113-14004
8	Mesa lateral: Izquierda	113-14003
9	Rejilla del quemador lateral	103-04006
10	Quemador lateral con tubo venturi: Con tornillos de fijación	123-04005
11	Pasador de la bisagra del quemador lateral (paquete de 1)	113-24004
12	Abrazadera de retención de la válvula del quemador lateral	113-14005
13	Electrodo del encendedor: Quemador lateral	113-03022
14	Cable del encendedor: Quemador lateral	113-03019
15	Rejilla para calentar	113-03016
16	Rejilla de cocción (paquete de 1)	113-03015
17	Cámara de calor (paquete de 1)	113-03005
18	Ensamble de la mesa lateral: Derecha	103-04001
19	Bandeja de recolección de grasa	113-04013
20	Recipiente para grasa	102-04014
21	Soporte para fósforos: Con cadena y tornillo de fijación	101-04019
22	Manija de la puerta frontal del carrito (incluye tornillos de fijación)	101-01017-00
23	Manguito de la manija de la puerta frontal del carrito (paquete de 1)	102-04021
24	Ensamble de la puerta frontal del carrito: Izquierdo, sin manija	70-01-106
25	Ensamble de la puerta frontal del carrito: Derecho, sin manija	70-01-107
26	Panel lateral del carrito, izquierdo	102-04009
27	Soporte de la puerta superior frontal del carrito	103-04009
28	Perilla de control: Quemadores principales (paquete de 1)	102-03009
29	Perilla de control: Quemador lateral	103-03011
30	Panel lateral del carrito: Derecho	113-04010
31	Panel posterior del carrito	103-04008
32	Imán de la puerta	113-14020
33	Soporte del tubo de gas natural	123-04012
34	Rueda de 7,62 cm: Normal, con 4 tornillos/arandelas planas/arandelas de resorte	103-04018
35	Rueda de 7,62 cm: De bloqueo, con 4 tornillos/arandelas planas/arandelas de resorte	103-04017
36	Ensamble de la cámara de combustión: Incluye quemadores/ensamble del tubo colector y la válvula de gas natural/manguera de gas natural y panel de control/encendedor electrónico/cable y electrodo del encendedor.	70-01-110
37	Manguera de gas natural de 9,53 mm: 3,05 m	123-03009
38	Ensamble de la cámara de combustión: Incluye protectores de la tapa	113-13002
39	Panel de control	70-01-109
40	Bisel de la perilla de control: Quemadores principales (paquete de 1)	102-03010
41	Bisel de la perilla de control: Quemadores laterales (paquete de 1)	103-03014

LISTA DE PIEZAS DE REPUESTO

REF.	DESCRIPCIÓN	PIEZA #
42	Válvulas de gas natural y tubo colector	123-03007
43	Encendedor electrónico	113-03023
44	Tubo del encendedor con flujo superior	113-13023
45	Quemador: principal	123-03003
46	Electrodo del encendedor: Quemador principal	113-03020
47	Cable del encendedor: Quemador principal	113-03017
48	Acoplador de desconexión rápida	123-06001
49	Repisa inferior del carrito	123-04007
n/a	Paquete de aditamentos	113-05001
n/a	Manual del propietario/instrucciones	70-10-058



Vista frontal



Vista trasera