

Dyna-Glo®

3-BURNER LP GAS GRILL

Model #DGB390BNP
#DGB390BNP-D

Français p. 29

Español p. 57



C US

ANS Z21.58b- 2012
CSA 1.6b- 2012
Outdoor Cooking
Gas Appliances

ATTACH YOUR RECEIPT HERE

Serial Number _____ Purchase Date _____



Questions, problems, missing parts? Before returning to your retailer, call our customer service department at 1-877-447-4768, 8:30 a.m. – 4:30 p.m., CST, Monday – Friday or e-mail us at customerservice@ghpgroupinc.com.

TABLE OF CONTENTS

Safety Information	3
Package Contents	5
Hardware Contents	6
Preparation	6
Assembly Instructions	7
Operation Instructions	14
Care and Maintenance	18
Troubleshooting	22
Warranty	24
Replacement Parts List	25

Assembler/Installer: This manual contains important information necessary for the proper assembly and safe use of this appliance. Read and follow all warnings and instructions before assembling and using this appliance. **Leave these instructions with the consumer.**

Consumer/User: Follow all warnings and instructions when using this appliance.
Retain these instructions for future reference.



DANGER:

If you smell gas:

- 1. Shut off gas to the appliance.**
- 2. Extinguish any open flame.**
- 3. Open lid.**
- 4. If odor continues, keep away from the appliance and immediately call your local fire department.**



WARNING:

1. Do not store or use gasoline or other flammable liquids or vapors in the vicinity of this or any other appliance.
2. An LP (liquid propane) cylinder not connected for use shall not be stored in the vicinity of this or any other appliance.
3. This grill is for outdoor use only and shall not be used in a building, garage, under overhangs or any other enclosed area.
4. Do not leave a lit grill unattended. Keep children and pets away from the grill at all times.

SAFETY INFORMATION

Please read and understand this entire manual before attempting to assemble, operate or install the product. If you have any questions regarding the product, please call customer service at: 1-877-447-4768, 8:30 a.m. – 4:30 p.m., CST, Monday – Friday.

DANGER

- Do not use in an explosive atmosphere. Keep grill area clear and free from combustible materials, gasoline and other flammable vapors and liquids.

CALIFORNIA PROPOSITION 65

Fuels used in gas or oil fired appliances and the products of combustion of such fuels contain chemicals including Benzene known to the State of California to cause cancer, birth defects or other reproductive harm. This product contains chemicals, including lead and lead compounds, known to the State of California to cause cancer, birth defects or other reproductive harm. ***Wash hands after handling.***

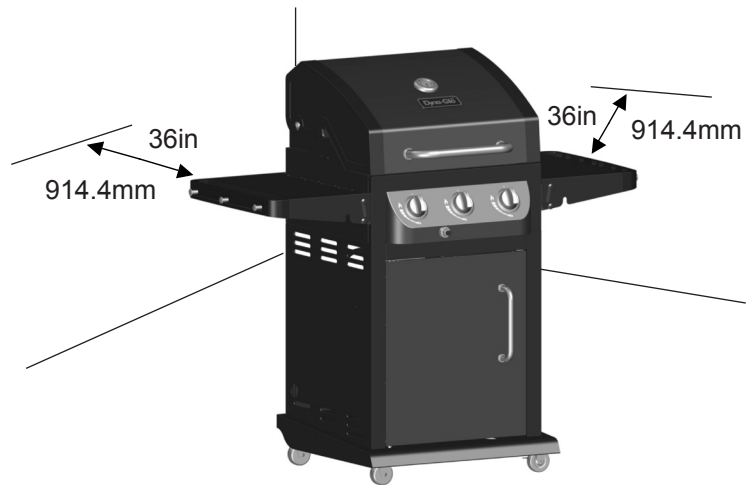
CAUTION

- Never use charcoal or lighter fluid with the grill.
- Do not use gasoline, kerosene or alcohol for lighting.
- The LP gas cylinder used with this appliance must be:
 - (a) Constructed and marked in accordance with the Specifications for LP-Gas Cylinders of the U.S. Department of Transportation (D.O.T.) or the National Standard of Canada, CAN/CSA-B339, Cylinders, Spheres and Tubes for Transportation of Dangerous Goods; and Commission, as applicable; and
 - (b) Provided with a listed overfilling prevention device.
 - (c) Provided with a cylinder connection device compatible with the connector for outdoor cooking appliances. This grill is not intended to be used in or installed on recreational vehicles and/or boats.
- Never keep a filled container in a hot car or car trunk. Heat will cause the gas pressure to increase, which may open the relief valve and allow gas to escape.
- Always open grill lid slowly and carefully as heat and steam trapped within the grill can burn you severely.

! WARNING

- Do not place the grill under overhead combustible construction or awnings. Minimum clearance from sides and back of unit to combustible construction, 36 inches (914.4mm) from sides and back.

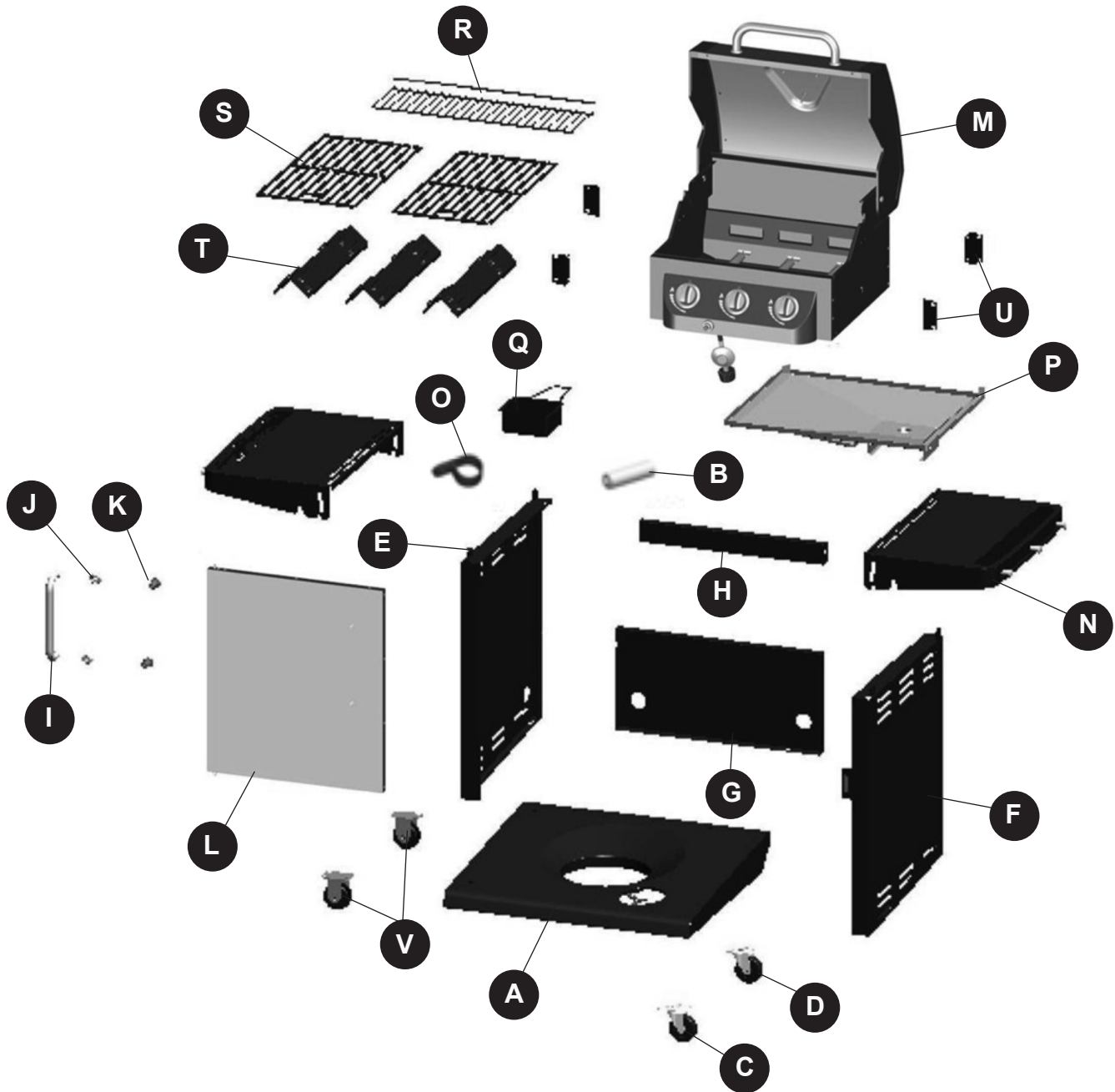
NOTE: The installation must conform with local codes or, in the absence of local codes, with either the National Fuel Gas Code, ANSI Z223.1/NFPA 54, Natural Gas and Propane Installation Code, CSA B149.1, or Propane Storage and Handling Code, B149.2.



! CAUTION

- Do not store or use gasoline or other flammable liquids or vapors in the vicinity of this or any other appliance.
- An LP cylinder not connected for use shall not be stored in the vicinity of this or any other appliance.
- This grill is for use with propane gas only (propane cylinder not included).
- Never attempt to attach this grill to the self-contained propane system of a boat, camper trailer, motor home or house.
- Do not attempt to move the grill while it is lit or when it is hot. The casters should be locked when not moving the grill.
- Do not use the grill unless it is completely assembled and all parts are securely fastened and tightened.
- Keep all combustible items and surfaces at least 36 inches (91.44 cm) away from the grill at all times.
- Do not touch metal parts of grill until it has completely cooled (about 45 minutes) to avoid burns, unless you are wearing protective gear (pot holders, gloves, BBQ mittens, etc...).
- Do not alter this grill in any manner.
- Clean and inspect the hose before each use. If there is evidence of abrasion, wear, cuts, or leaks, the hose must be replaced prior to operating the appliance. The replacement hose assembly will be that which is specified by the manufacturer, listed in the repair parts list in this manual.
- Move gas hoses as far away as possible from hot surfaces and dripping hot grease.
- Keep the grill's valve compartment, burners and circulating air passages clean. Inspect the grill before each use. Do not obstruct the flow of gas or ventilation air.
- The use of alcohol, prescription or non-prescription drugs may impair the operator's ability to properly assemble or safely operate the grill.
- **Do not leave a lit grill unattended. Keep children and pets away from the grill at all times.**
- Do not place this grill on any type of tabletop surface. The grill should be placed on a flat and level surface.
- Do not use the grill in high winds.


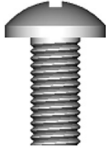





PACKAGE CONTENTS



PART	DESCRIPTION	QUANTITY
A	Bottom Shelf	1
B	AA Battery (1.5v)	1
C	Non-locking Swivel Caster	1
D	Locking Swivel Caster	1
E	Cart Left Side Panel	1
F	Cart Right Side Panel	1
G	Cart Rear Panel	1
H	Upper Front Door Brace	1
I	Door Handle	1
J	Door Handle Bezel	2
K	Door Handle Sleeve	2

PART	DESCRIPTION	QUANTITY
L	Door Assembly	1
M	Grill Body	1
N	Side Table	2
O	Hose Holder	1
P	Grease Pan	1
Q	Grease Cup	1
R	Warming Rack	1
S	Cooking Grate	2
T	Heat Tent	3
U	Side Table Support	4
V	Single Direction Caster	2

HARDWARE CONTENTS (shown actual size)

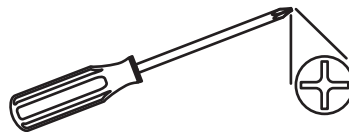
AA	AA	BB	CC	DD	EE	FF
						
M6x12 Qty. 40	M6x12 Qty. 2	M6 Plain Washer Qty. 20	M6 Spring Washer Qty. 16	M4x12 Screw Qty. 1	M4 Nut Qty. 1	M6 Shoulder Screw Qty. 8
NOTE: 2 (AA) screws preassembled in door handle.						

PREPARATION

Before beginning assembly of product, make sure all parts are present. Compare parts with package contents list on previous page and hardware contents above. If any part is missing or damaged, do not attempt to assemble the product. Contact customer service for replacement parts.

Estimated Assembly Time: 50 minutes with 2 people.

Tools Required for Assembly and Leak Testing (not included): Phillips screwdriver, Spray bottle



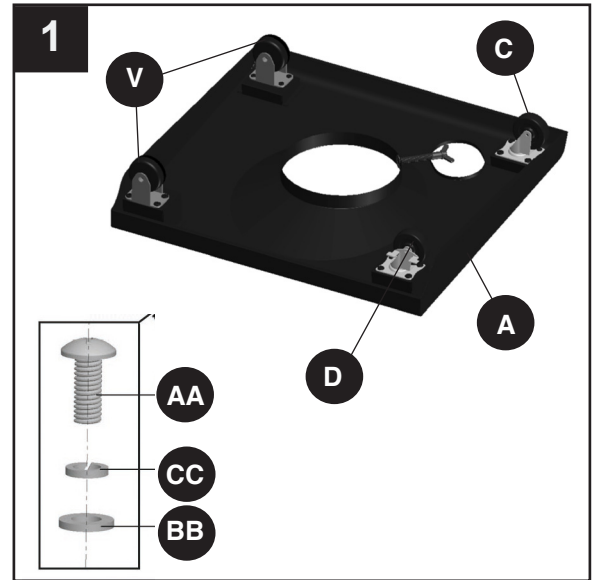
⚠ CAUTION

THIS UNIT IS HEAVY. Two people required for safe assembly.




Two people required for safe assembly. Some parts may contain sharp edges. Wear protective gloves if necessary. Read and follow all safety statements, warnings, assembly instructions and use and care instructions before attempting to assemble and use.

ASSEMBLY INSTRUCTIONS

- Assemble the casters, including 2 single direction casters (V), 1 non-locking swivel caster (C), 1 locking swivel caster (D), onto bottom shelf (A) with 4 M6x12 screws (AA), M6 plain washer (BB) and M6 spring washer (CC) for each caster.



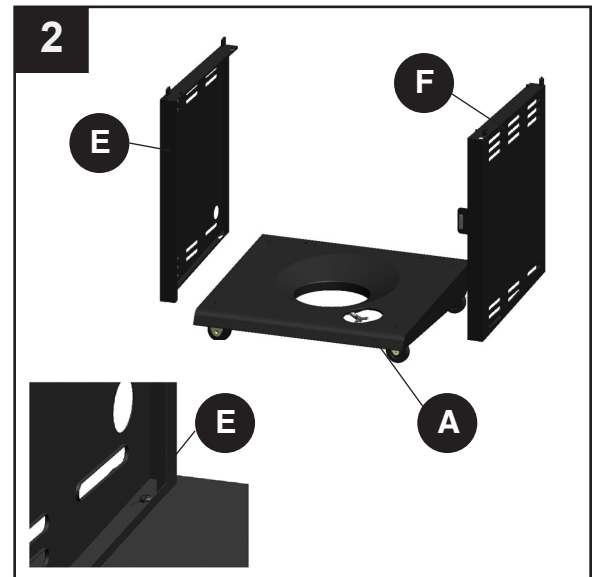
Hardware Used

AA	M6x12 Screw		x 16
BB	M6 Plain Washer		x 16
CC	M6 Spring Washer		x 16

- Insert 4 M6x12 screws (AA) into holes in bottom shelf (A), leaving 4-6mm clearance from screw head to bottom shelf (A). Attached cart left side panel (E) by placing the panel keyholes over the screw heads on the left side of bottom shelf (A), slide the cart left side panel (E) so that the screw head is over the smaller part of keyhole. Thread the screws down snug but do not tighten completely at this step. Repeat with cart right side panel (F).

Hardware Used

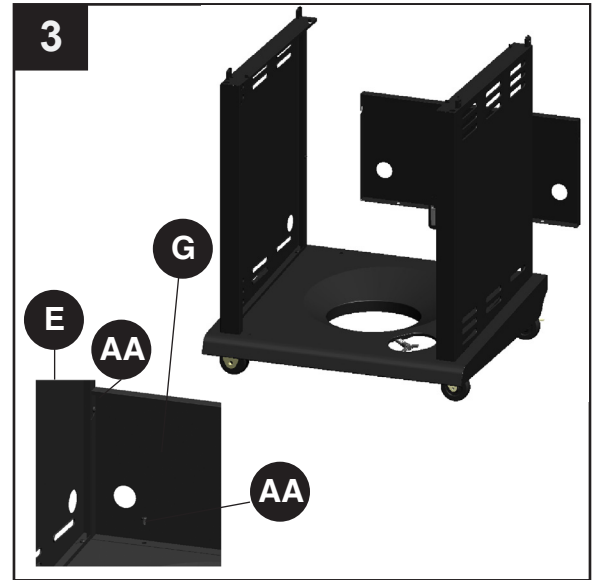
AA	M6x12 Screw		x 4
-----------	-------------	---	-----



ASSEMBLY INSTRUCTIONS

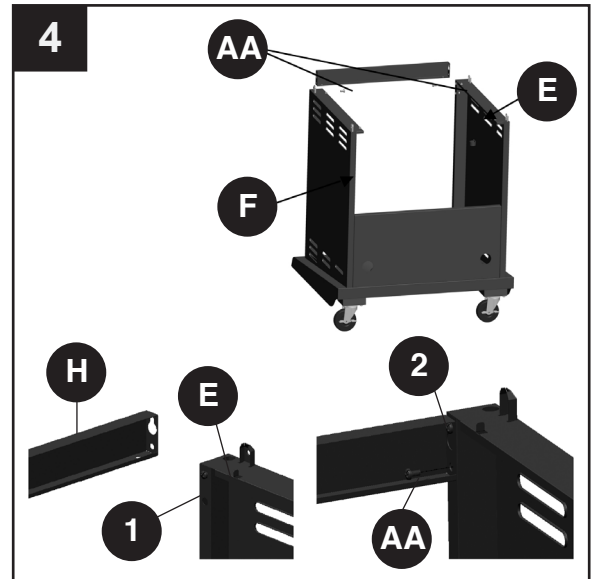
3. Insert one M6x12 screw (AA) into each of the rear holes of the cart left side panel and cart right side panel (E & F), leaving 4-6mm clearance from screw head to the side panels (E & F). Attached the cart rear panel (G) by sliding the keyholes in the cart rear panel over the inserted screws and then push with force. Secure the cart rear panel (G) to the bottom shelf (A) with 2 M6x12 screws (AA). Tighten the 2 screws on the side panels (E & F).

Hardware Used



4. Insert 2 M6x12 screws (AA) into upper front holes (labeled 1) in cart left side panel and right side panel (E & F), leaving 4-6mm clearance from screw head to left and right side panel (E & F). Attach the upper front door brace (H) with the larger hole in the upper front door brace (H), slide the upper front door brace (H) so that the screw head is over the smaller hole. Secure the screws but do not tighten completely. Secure another 2 M6x12 screws into holes (labeled 2).

Hardware Used



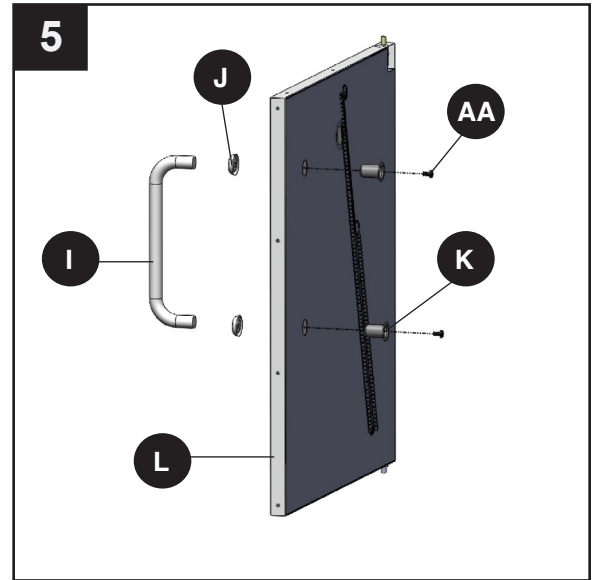
ASSEMBLY INSTRUCTIONS

5. Remove 2 preassembled M6x12 screws (AA) and door handle sleeves (K) from the door handle (I). Insert the 2 door sleeves (K) into the holes located on the back of the door assembly (L), insert the screws into the door handle sleeves (K), through the door handle bezels (J) and into the threaded holes in the door handle (I). Tighten using Phillips screwdriver.

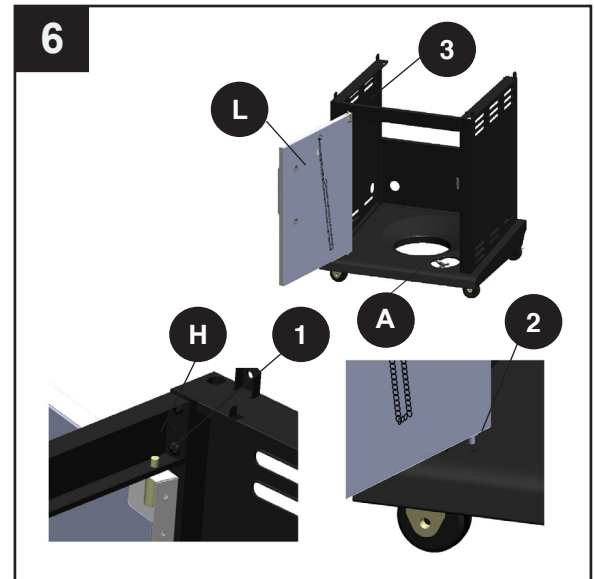
Hardware Used



Notes: (AA) hardware preassembled in door handle

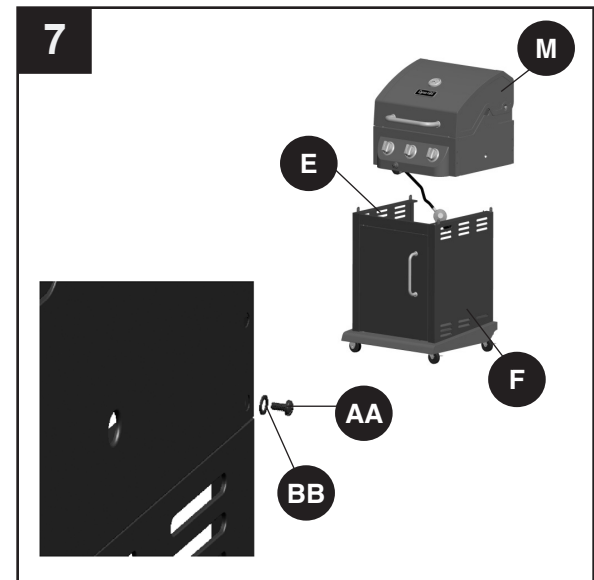
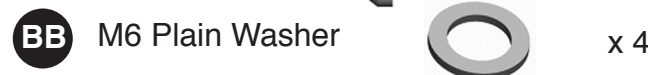


6. Insert the bottom hinge pin (labeled 2) of door assembly (L) into the hole on bottom shelf (A). Press the hinge pin (labeled 3) on the top of the door assembly by hand and insert into the hole (labeled 1) of upper front brace (H).



7. Carefully place the grill body (M) onto the cart left side panel and cart right side panel (E & F). Adjust the grill body (M) so that the holes in the grill body (M) are aligned with the holes in the tabs of the cart side panels (E & F). NOTE: Make sure the gas hose is inside the cart. Fasten the grill body (M) using 2 M6x12 screws (AA) and M6 plain washer (BB) on each side.

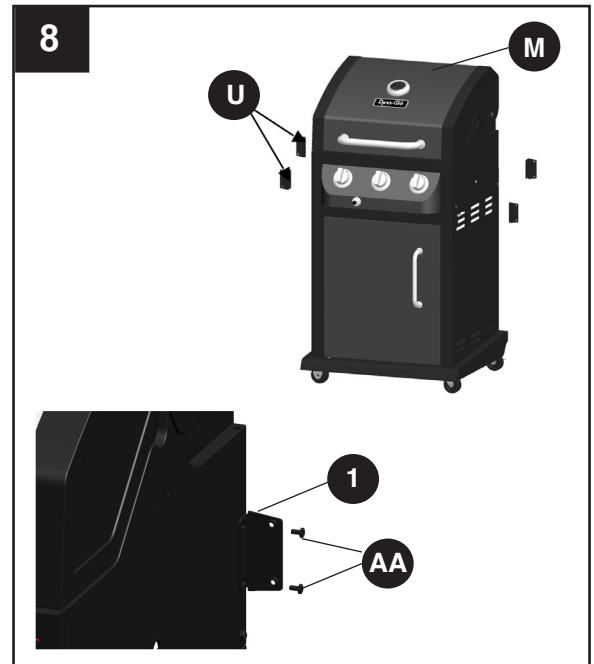
Hardware Used



ASSEMBLY INSTRUCTIONS

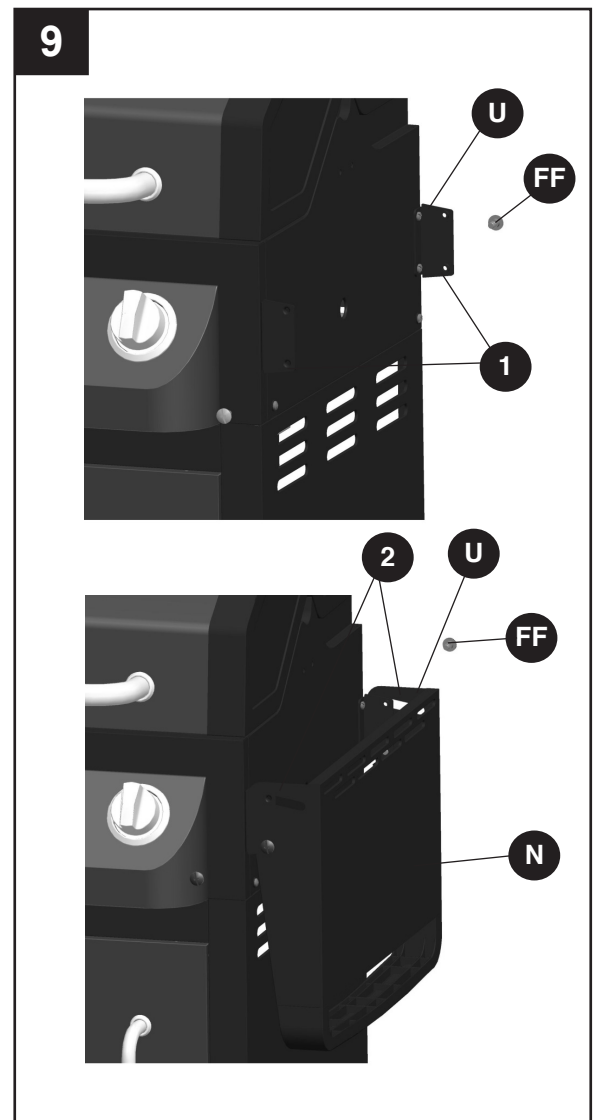
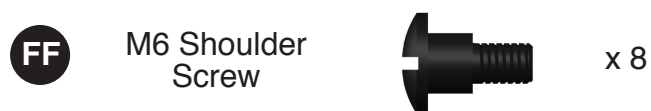
8. Install side table supports (U) with 2 M6x12 screws (AA) into holes (labeled 1) in side of grill body (M) and tighten the screws. Repeat with other side table supports (U).

Hardware Used



9. Secure 2 M6 shoulder screws (FF) into holes (labeled 1) of side table supports (U). Secure side table (N) onto side table support (U) by tightening 2 M6 shoulder screws (FF) into holes (labeled 2). Repeat step with the other side table.



Hardware Used

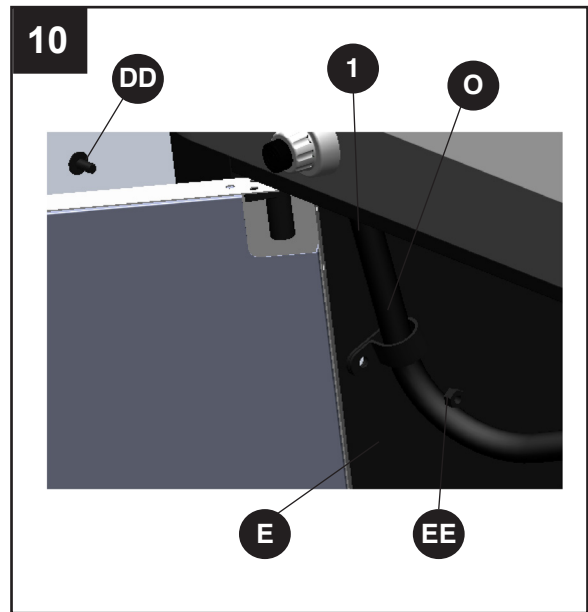


ASSEMBLY INSTRUCTIONS

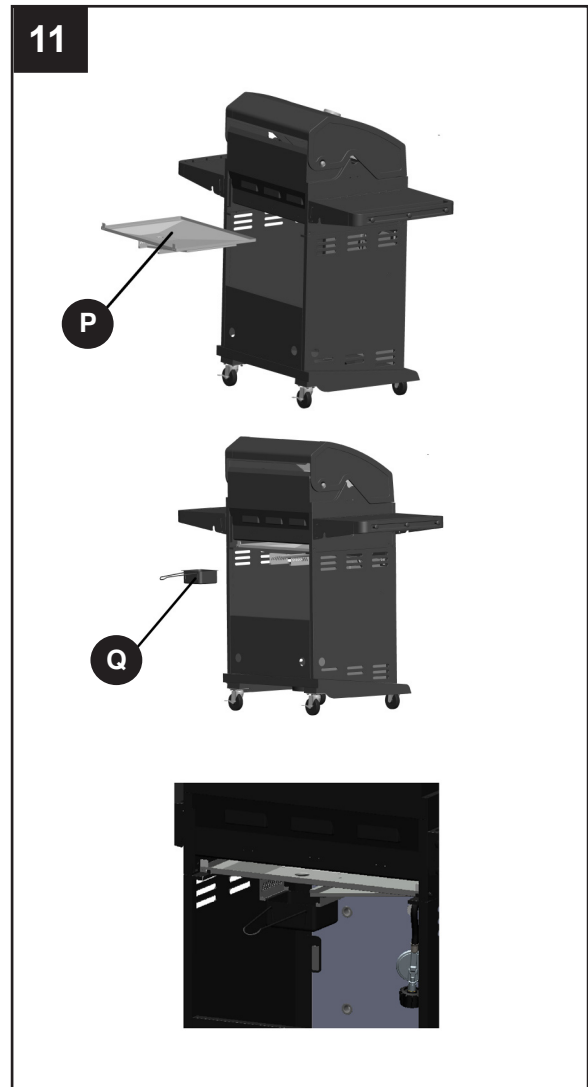
10. Secure gas hose and hose holder (O) assembly onto cart left side assembly (E) by tightening 1 M4x12 screw (DD) and 1 M4 nut (EE) into hole (labeled 1) into cart left side table.
- NOTE: The gas holder (O) must completely encircle the gas hose before securing onto cart left side panel (E) as illustrated below.

Hardware Used

DD	M4x12 Screw		x 1
EE	M4 Nut		x 1

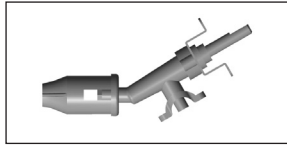


11. Insert the grease pan (P) into position by sliding it in the grill body from the rear along the rails located just below the underside of grill body.
- NOTE: Grease pan MUST be in position as illustrated below (grease cup support rails on your left while facing the rear of the grill). Insert grease cup (Q) into position by sliding it onto the support rails on the bottom side of grease pan.



ASSEMBLY INSTRUCTIONS

! WARNING: IT IS VERY IMPORTANT TO CHECK AND ENSURE THAT EACH AND EVERY BURNER IS FULLY ENGAGED WITH THE ADJACENT VALVE ORIFICE BEFORE COMPLETING STEP 12. FAILURE TO DO SO MAY RESULT IN FIRE OR EXPLOSION, POSSIBLY CAUSING SERIOUS INJURY OR DEATH. REFER TO MAINTENANCE SECTION INSTRUCTIONS TO PROPERLY CHECK THE ENGAGEMENT.

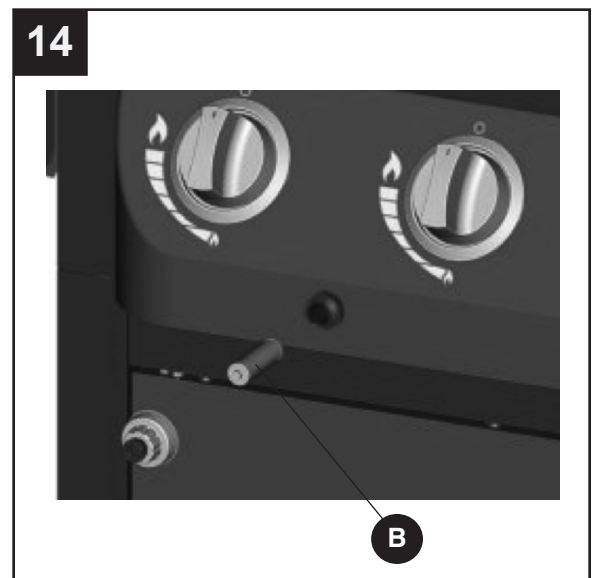
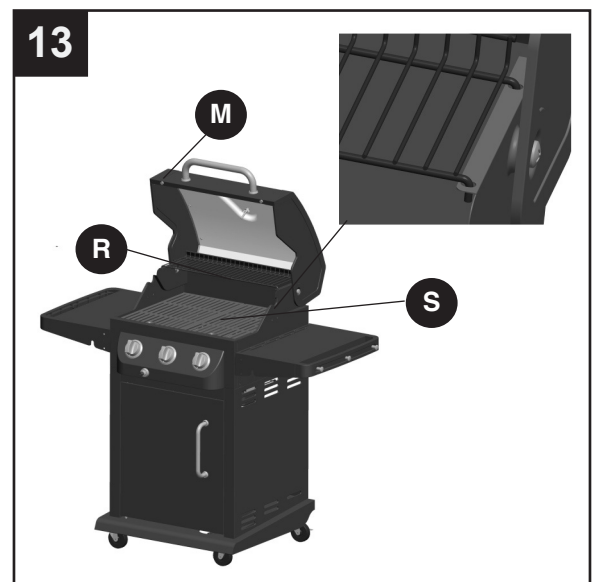
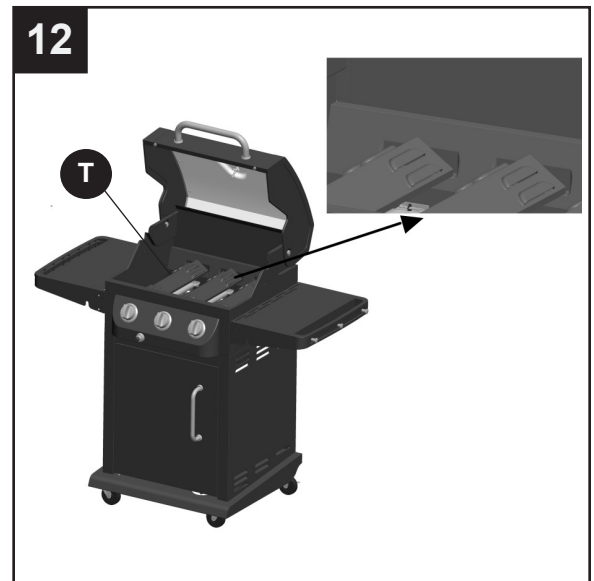


12. Place the heat tents (T) into firebox as illustrated.

13. Place the cooking grates (S) into grill body (M) as illustrated in the figure. Secure warming rack (R) into grill body (M).

NOTE: Insert the warming rack (R) into the four holes located on both sides of grill body.

14. Unscrew the igniter cap and insert AA battery (B) into the igniter body with positive '+' end facing out. Replace the igniter cap.



ASSEMBLY INSTRUCTIONS

15. Open the door assembly (L) and insert the LP gas cylinder (sold separately) into the nesting hole located in the bottom shelf (A). Adjust gas cylinder until positioned correctly (allowing the gas hose to connect to gas cylinder valve). Hand-tighten the hose/regulator coupling to the threaded valve of the LP gas cylinder.

Tighten the tank screw until the cylinder is secured in place inside the nesting hole of the cart.

Fully Assembled

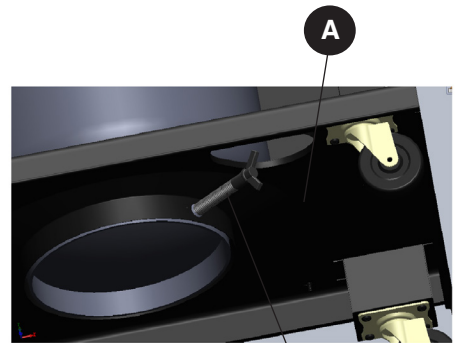
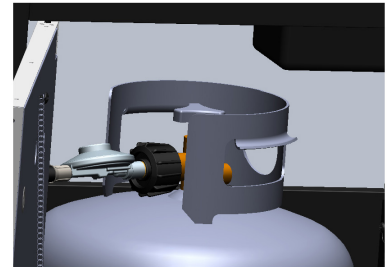


Front View



Rear View

15



Tank Screw

OPERATION INSTRUCTIONS

CHECKING FOR LEAKS

After all connections are made, check all connections and fittings on the LP gas tank valve, gas hose and regulator for leaks with a water and soap solution.

To prevent fire or explosion while testing for a leak:

- Always perform leak test prior to lighting the grill.
- Do not smoke while testing for a leak.
- Always perform leak tests outdoors in a well-ventilated area.
- Do not use any source of flame while testing for leaks.
- Do not use the grill until any and all leaks are corrected.
- If you are unable to correct a leak, disconnect the propane supply and call a gas appliance service dealer.

PERFORM LEAK TEST

- Prepare leak test solution by combining 1 part liquid dish soap with 3 parts water. Total solution required is approximately 2 - 3 ounces (70 - 90 ml). Put leak test solution in a spray bottle.
- Ensure all control knobs are in the O OFF position.
- Connect the gas hose to the gas supply.
- Open the LP gas tank valve.
- Spray leak test solution on all gas carrying connections and fittings. Presence of bubbles at areas of applied test solution indicates a gas leak. If leaks are detected or you smell or hear gas, shut off the gas supply valve immediately and repair or replace the defective part. Do not use the grill until all leaks are corrected.

CAUTION

Only use the regulator and hose assembly provided! If a replacement is necessary, please call our customer service center. Do not use replacement parts that are not intended for this grill.

WARNING

ALL INSTRUCTIONS AND SAFEGUARDS ON THIS PAGE MUST BE FOLLOWED TO PREVENT FIRE, DAMAGE AND/OR INJURY.

OPERATION INSTRUCTIONS

CONNECTING GAS CYLINDER

The propane gas supply cylinder to be used must be constructed and marked in accordance with the Specifications for LP Gas Cylinders of the U.S. Department of Transportation (D.O.T.) or the National Standard of Canada, CAN/CSA-B339, Cylinders, Spheres and Tubes for Transportation of Dangerous Goods; and Commission, as applicable; and Provided with a listed overfilling prevention device.

Use only 20-pound cylinders (height: 18.11 inches, tank diameter: 9.84 inches, foot diameter: 8.03 inches) equipped with a cylinder connection device compatible with the connection for outdoor cooking appliances.

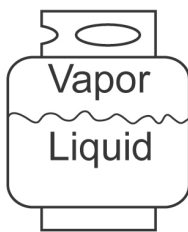
The cylinder must include a collar to protect the cylinder valve. The gas cylinder should not be dropped or handled roughly!

If the appliance is not in use, the gas cylinder must be disconnected. Storage of an appliance indoors is permissible ONLY if the cylinder is disconnected and removed from the appliance. Cylinders must be stored outdoors out of the reach of children and must not be stored in a building, garage or any other enclosed area. Your cylinder must never be stored where temperatures can reach over 125°F.

Place dust cap on cylinder valve outlet whenever the cylinder is not in use. Only install the type of dust cap on the cylinder valve outlet that is provided with the cylinder valve. Other types of caps or plugs may result in leakage of propane.

Before connection, be sure that there is no debris caught in the outlet of the gas cylinder, outlet of the regulator valve or in the outlet of the burner and burner ports. Connect regulator valve and hand-tighten firmly. Keep the propane cylinder valve closed and disconnect the propane cylinder from the regulator valve when the grill is not in use.

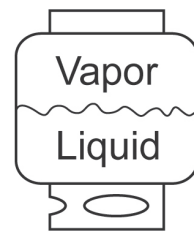
DO NOT obstruct the flow of combustion air and ventilation air to the grill. The propane cylinder must be arranged for vapor withdrawal and equipped with a listed overfilling prevention device. Please use the proper cylinder orientation to provide vapor withdrawal. NOTE: The cylinder must be fully upright for the cylinder to have vapor withdrawal only.



Correct



Wrong



Wrong

⚠ CAUTION

- Do not store a spare LP-gas cylinder under or near this appliance.
- Never fill the cylinder beyond 80 percent full.
- If the information in (a) and (b) is not followed exactly, a fire causing death or serious injury may occur.





OPERATION INSTRUCTIONS

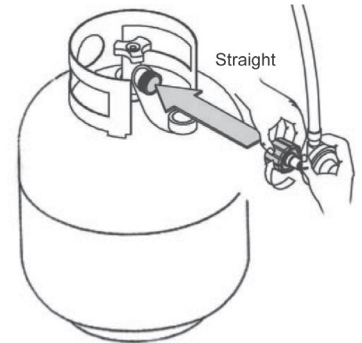
NOTE: Other cylinders may be acceptable for use with this appliance provided they are compatible with the appliance nesting hole and retention means. Refer to Step 15 of the Assembly Instructions for correct cylinder to cylinder holder connection.

⚠ WARNING

ALL INSTRUCTIONS AND SAFEGUARDS ON THIS PAGE MUST BE FOLLOWED TO PREVENT FIRE, DAMAGE AND/OR INJURY.

CONNECTING THE LP TANK

1. The knob on the LP tank must be closed. Make sure that the knob is turned  clockwise to a full stop. The cylinder supply system must be arranged for vapor withdrawal.
 2. Check that the control knob on the control unit is turned off.
 3. Remove the protective cap from the LP tank valve and coupling nut.
 4. Hold the regulator in one hand and insert the nipple into the valve outlet. Be sure the nipple is centered in the valve outlet. The coupling nut connects to the large outside threads on the valve outlet. Use care – do not cross thread the connection.
 5. Hand-tighten the coupling nut  clockwise until it comes to a full stop. Firmly tighten by hand only. Do not use tools.
- To Disconnect:** Fully close the tank valve by turning  clockwise. Turn the coupling nut  counterclockwise until the regulator assembly detaches.



⚠ WARNING

In the connection process, make sure:

- the regulator inlet connector mates with the cylinder valve outlet properly, safely and firmly, and;
- the LP gas hose does not come in contact or remain in contact with the firebox.

OPERATION INSTRUCTIONS

Lighting The Grill

Before first use:




Remove all hangings or plastic straps, if present. Before you cook on your new gas grill, it is important to clean your grill with heat. To do this, operate the grill for approximately 15 minutes with the lid closed and the control knob in the highest position. This will clean the internal parts by burning off any residue and odor from the manufacturing process.


CAUTION

If the flame extinguishes accidentally during ignition or operation, immediately **TURN OFF** the cylinder valve and then **TURN OFF** the control knob.

WARNING

Do not lean over grill when lighting. Read instructions before lighting.


1. Check that the control knobs are in the  OFF position.
2. Open valve at tank fully by turning  counter-clockwise.
3. Open lid during lighting.
4. Push igniter down 3 to 4 seconds while turning right side control knob to the  HIGH position. The burner should ignite.
5. Repeat for all other burners.

If ignition does not take place within 5 seconds, immediately turn the control knob to the  OFF position. Wait 5 minutes and repeat step 4 above or refer to match lighting instructions below.

If the burner still does not light, check that there is gas in the cylinder and follow the match lighting instructions.

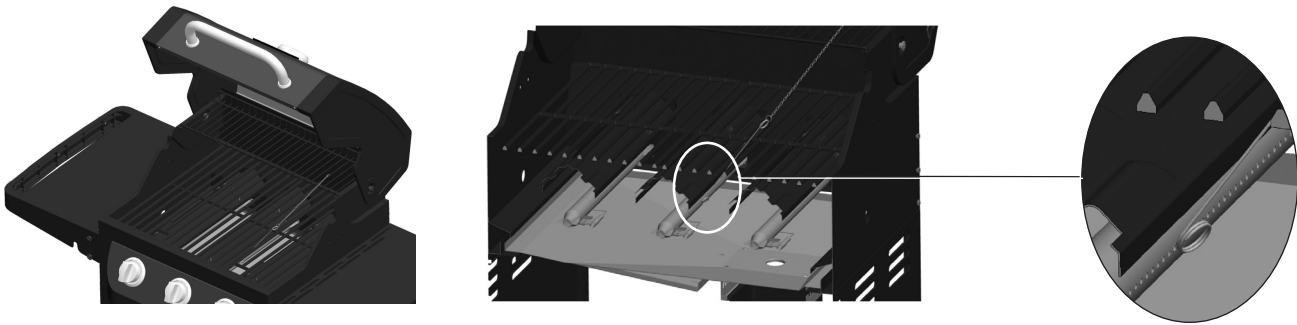
OPERATION INSTRUCTIONS

LIGHTING THE GRILL WITH A MATCH

1. Open the lid
2. Insert a match in the end of the match holder that is installed on the inside of the cabinet door.
3. Light the match.
4. Immediately place the lit match through the spaces in the grill gates near the ports of the burner between the heat tents as shown. Make sure the lit match is close to the burner ports.
5. Press in the control knob that operates the burner and rotate ↺ counter-clockwise to  High position and burner should light immediately.
6. Repeat 2~5 steps to lighting the remaining burners.
7. Adjust burners to desired cooking settings.

⚠ CAUTION

Make sure all burner controls are off, except for the burner being lit and the burners that have been lit.



SHUTDOWN INSTRUCTIONS

1. Turn control knobs ↻ clockwise to the **OFF** position.
2. Close valve at tank fully by turning ↻ clockwise.
3. Close lid.

Turn off LP supply at cylinder when appliance is not in use.

CARE AND MAINTENANCE

Cooking Grates

The best time to 'burn-off' the cooking grates is after every use (approx. 15 minutes). The grill is already hot from cooking thus requiring less fuel to obtain necessary temperature for 'burn-off'.

To 'burn off' or heat clean your grill, turn the burners to highest position and run for 15 minutes with the lid closed. Then turn off the burners and use a wire brush to clean excess food residue from the grates.

The porcelain grates have an enamel finish (similar to glass) and should be handled with care not to chip.

⚠ CAUTION

Ensure the grill is cool before cleaning and conducting maintenance and with the gas supply turned off at the LP-Gas Cylinder.

CARE AND MAINTENANCE

Recommended Cleaning Supplies

Mild liquid dish soap, warm water, nylon cleaning pad, wire brush

DO NOT use cleaners that contain acid, mineral spirits or any abrasive substance.

Outside Surfaces

It is recommended to use only mild dish soap and hot water to clean grill and grill parts.

Rinse with warm water.

Inside Bottom Pan of Grill Body

To avoid flare-ups, the bottom pan of the cooking box should be kept clean on a regular basis.

Remove residue using a brush, scraper and/or cleaning pad. Wash with mild dish soap and warm water. Rinse with warm water. Avoid water splashing into venturi tubes of burners.

Heat Tents

Clean residue with wire brush and wash with mild dish soap and warm water. Rinse with warm water.

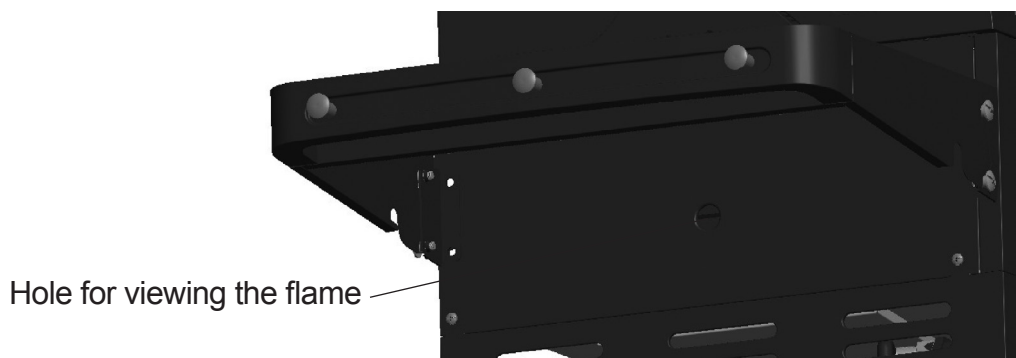
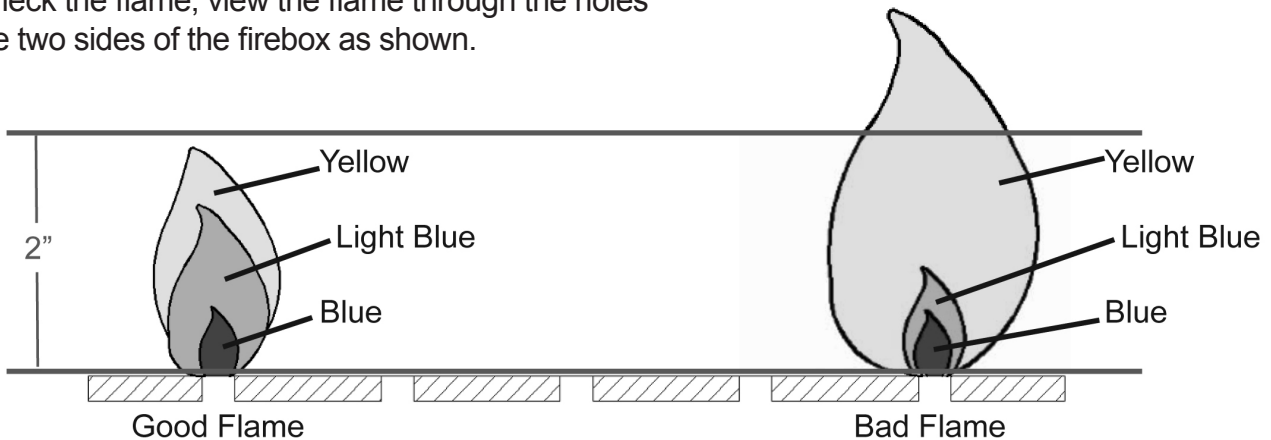
Grease Cup

Empty the grease cup and clean with mild dish soap and warm water on a regular basis.

Checking The Flame

For maximum fuel efficiency and cooking performance, flame should be a blue-yellow color and be between 1- 2 inches high.

To check the flame, view the flame through the holes in the two sides of the firebox as shown.



CARE AND MAINTENANCE

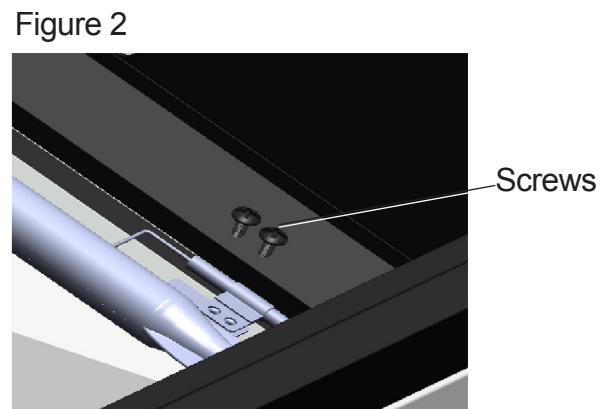
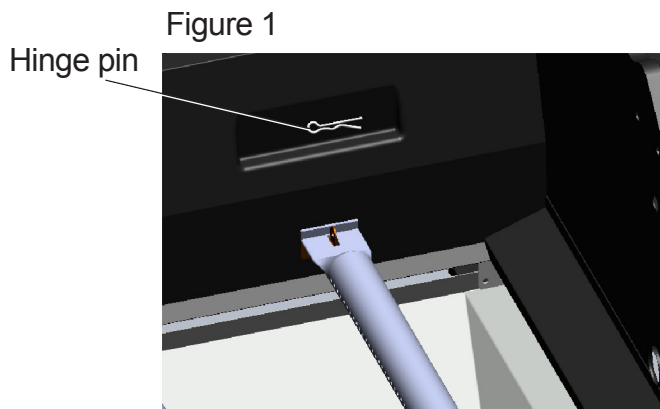
Burner Assembly

Removing The Burner Assembly

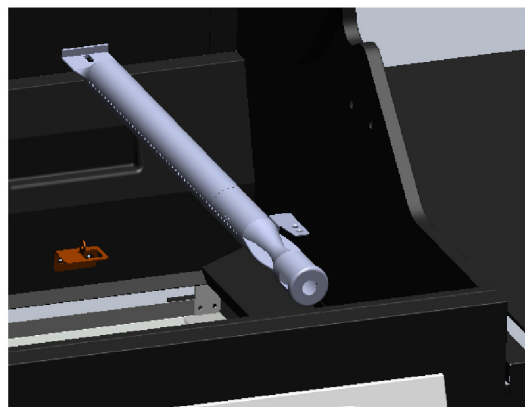
1. Make sure all control knobs are in the OFF position, gas supply valve is closed, and the gas hose is disconnected from the gas supply.
2. Open lid and remove warming rack, cooking grates, and heat tents.



3. Remove hinge pin as illustrated in Figure 1. Remove the 2 screws that secure the igniter electrode to the burner as illustrated in Figure 2.



4. Slide burners out of firebox as shown.



CARE AND MAINTENANCE

Cleaning the Burner Assembly

– Make sure the grill is cool

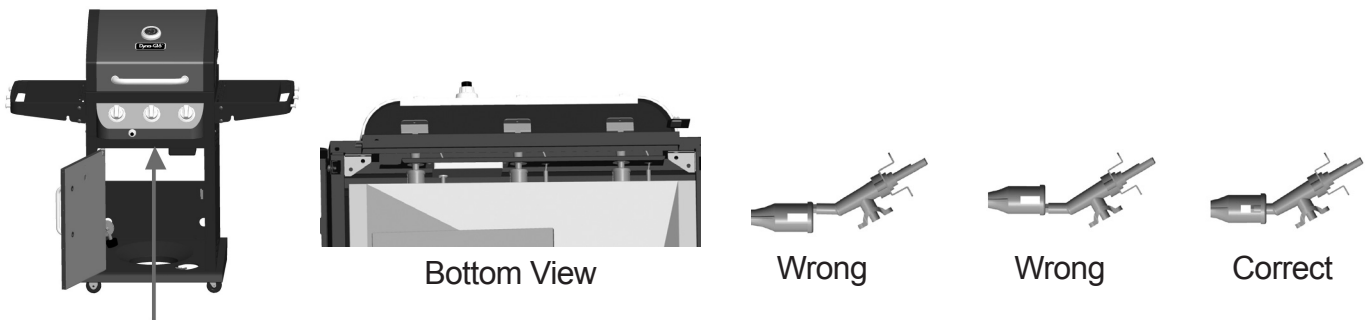
1. Ensure all burner ports are clear of clogs. Use of a pin or paper clip works well.
2. Ensure burner is free of any damage. If damage is found, replace with new burner.
3. Ensure the end of the burner and primary air screen are clear from insect nests, dirt or debris.

Re-installing the Burner

Ensure that gas valve orifices are correctly positioned inside burner inlet (venturi).

The use of a flashlight may be necessary to ensure the correct position.

It is recommended to view the correct position through the bottom of firebox as illustrated below.



View the correct position from the bottom of the firebox.

! WARNING

If the instructions above are not followed, a fire or explosion may result, possibly causing serious bodily injury or death.

Other Care and Maintenance

It is recommended that inspection and service on this appliance be conducted annually by a qualified service person.

It is recommended that you regularly check that the outdoor cooking appliance area is clear and free from combustible material, gasoline and other flammable vapors and liquids.

It is recommended that you regularly check that the flow of combustion and ventilation air is not obstructed.

It is recommended that you regularly check that the ventilation openings of the grill cabinet are free and clear from debris.

It is recommended that you regularly check and clean the burner/venturi tubes for insects and insect nests. A clogged tube can lead to a fire beneath the grill.

CARE AND MAINTENANCE

The electronic ignition requires 1 “AA” alkaline battery, which is included.

⚠ WARNING

DO NOT mix old and new batteries.
DO NOT mix alkaline, standard (Carbon-Zinc), or rechargeable (Nickel-Cadmium) batteries.
DO NOT dispose of batteries in fire. Improper disposal may cause batteries to leak or explode.

TROUBLESHOOTING

If you have any questions regarding the product, please call customer service at 1-877-447-4768, 8:30 a.m. – 4:30 p.m., CST, Monday – Friday.

PROBLEM	POSSIBLE CAUSE	CORRECTIVE ACTION
The burner will not light using the ignitor procedure (weak or no spark being generated).	<ol style="list-style-type: none">1. The igniter electrode may be covered with grease or residue.2. The igniter electrode may have a loose or disconnected wire.3. Cracked or broken ignition electrode.4. Dead battery or faulty battery connection.	<ol style="list-style-type: none">1. Clean the ignitor electrode.2. Check the connection and reconnect any loose or disconnected wires.3. Replace ignition electrode (see Replacement Parts List).4. Perform any of the following:<ol style="list-style-type: none">a. Replace batteryb. Check to see if battery is inserted correctly.c. Check for any corrosion around battery terminals.d. Check wire connections as stated above
Low Heat.	<ol style="list-style-type: none">1. Insufficient gas pressure to the unit.	<ol style="list-style-type: none">1. Call a qualified service agency to check the gas supply pressure and correct the pressure.
Excessive Flare Ups.	<ol style="list-style-type: none">1. Grease and/or residue build-up on heat tents or in firebox.2. Excessive dripping of fat or marinade from food.3. Cooking temperature too high.	<ol style="list-style-type: none">1. Clean the grill components.2. Trim the fat from meat and use non-oil based marinades.3. Lower temperature accordingly.

TROUBLESHOOTING

PROBLEM	POSSIBLE CAUSE	CORRECTIVE ACTION
<p>The burner will not light with a match.</p>	<ol style="list-style-type: none"> 1. Match not reaching burners (when holding match with hand). 2. Empty tank. 3. Poor connection between valve regulator and LP cylinder coupling. 4. Burner inlet blocked. 	<ol style="list-style-type: none"> 1. Use match holder found in cabinet door. 2. Check fuel level and refill tank if necessary. 3. Turn off grill knobs, close the LP cylinder valve at top of cylinder and check the connection between the regulator valve and cylinder coupling. Disconnect and reconnect, if necessary. 4. Clean the burner inlet (venturi) and burner as described by the Care and Maintenance section in the manual.
<p>No gas flow or an obstructed gas flow.</p>	<ol style="list-style-type: none"> 1. Tank valve not on or fully opened. 2. Empty tank. 3. Poor connection between valve regulator and LP cylinder coupling. 4. Burner inlet blocked. 	<ol style="list-style-type: none"> 1. Fully open tank valve by turning counterclockwise. 2. Check fuel level and replace fuel if necessary. 3. Turn off grill knobs, close the LP cylinder valve at top of cylinder and check the connection between the regulator valve and cylinder coupling. Disconnect and reconnect, if necessary. 4. Clean the burner inlet (venturi) and burner as described by the Care and Maintenance section in the manual.

LIMITED WARRANTY

1-Year Limited Warranty

This LP gas grill is warranted for 1 year (5 years on the Stainless Steel burners) against broken or damaged parts at the time of purchase. It is warranted to be free of defects. Paint is warranted to be free of defects except for rust, which may appear after repeated use.

This warranty does not cover damage or issues related to neglect, abuse, or modifications to the appliance. Repair labor is not covered.

All parts that meet the warranty requirements will be shipped at no charge via the discretion of the manufacturer (ground shipments, US Mail, or Parcel Post ONLY). Any special handling charges (i.e. Second Day, overnight, etc.) will be the responsibility of the consumer.

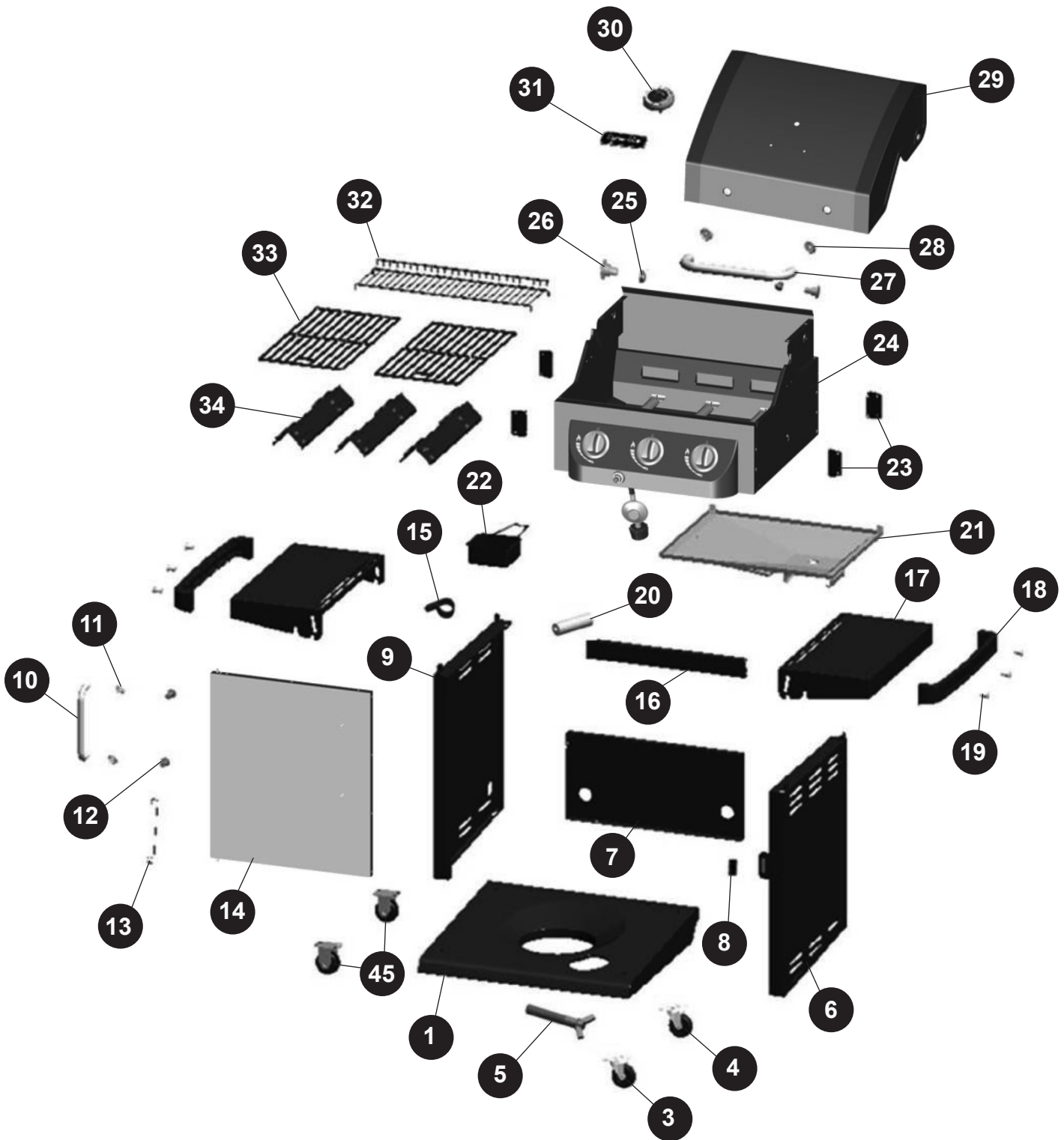
All warranty claims apply only to the original purchaser and require a proof of purchase verifying purchase date. Do not return parts without first obtaining a return authorization number from our customer service. This service is available by calling toll free 1-877-447-4768, 8:30 a.m. – 4:30 p.m., CST, Monday – Friday.

NOTICE: Some states do not allow the exclusion or limitation of incidental or consequential damages or limitations on how long an implied warranty lasts, so the above limitations or exclusions may not apply to you. This warranty gives you specific legal rights and you may also have other legal rights which may vary from state to state.

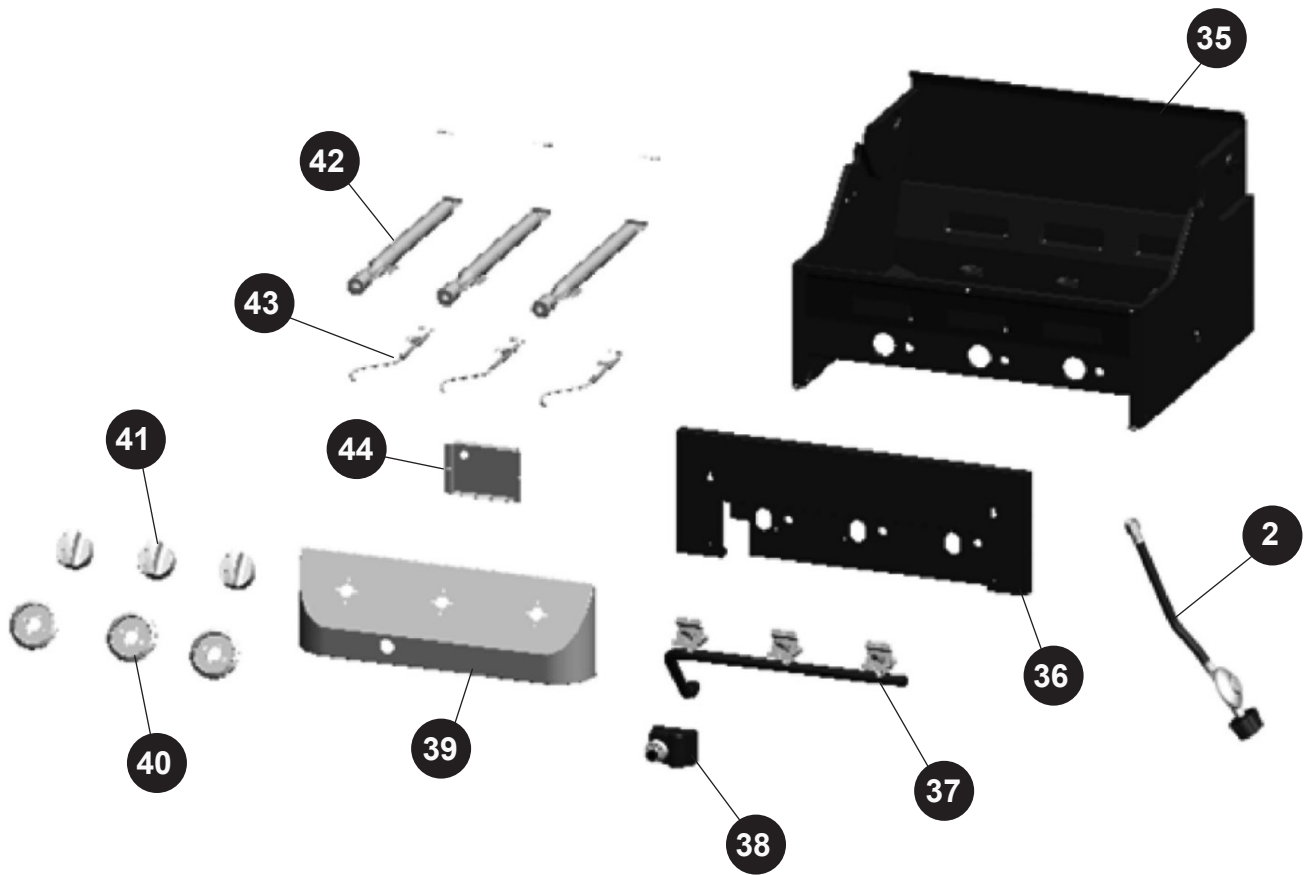
GHP Group, Inc.
6440 W. Howard St.
Niles, IL, USA
60714-3302

Item Name: 3-Burner LP Gas Grill
Model #: DGB390BNP/DGB390BNP-D
Rated BTU: 36,000 BTU/Hr

REPLACEMENT PARTS LIST



REPLACEMENT PARTS LIST



REPLACEMENT PARTS LIST

For replacement parts, call our customer service department at 1-877-447-4768, 8:30 a.m. – 4:30 p.m., CST, Monday – Friday.

PART	DESCRIPTION	PART #
1	Bottom panel	104 - 04006
2	LP gas hose and regulator assembly	104 - 13014
3	non-locking swivel caster - Includes 4 screws/flat washers/spring washers	104 - 04017
4	locking swivel caster - Includes 4 screws/flat washers/spring washers	104 - 04019
5	LP cylinder retention screw	104 - 04012
6	Cart side panel-right	104 - 04010
7	Cart rear panel	104 - 04008
8	Door Magnet	104 - 14020
9	Cart side panel-left	104 - 04009
10	Cart front door handle	104 - 14021
11	door handle bezel	104 - 14022
12	door handle sleeve	104 - 14023
13	Match holder	104 - 14024
14	Cart front door assembly - no handle	70-01-403
15	Hose holder	104 - 04007
16	Cart front upper door brace	104 - 04011
17	Side table	104 - 04001
18	Towel bar	104 - 14001
19	Tool hook	104 - 14002
20	AA battery (1.5V)	104 - 05002
21	Grease pan with heat shield	104 - 04013
22	Grease cup	104 - 04014
23	Side table support	104 - 04003
24	Firebox assembly - Includes burners/LP gas valve & manifold assembly/LP gas hose& regulator /control panel/ /ignition wire and electrode.	70-01-404
25	M6 Keps Nut - Secure lid pivot pin	70-09-001
26	Lid pivot pin	104 - 12002
27	Lid handle	104 - 12003
28	Lid handle bezel	104 - 12004
29	Grill lid assembly-includes lid bumpers	70-01-405
30	Temp gauge with Nut	104 - 12005
31	Badge	104 - 22006
32	Warming rack	104 - 13001
33	Cooking grate	104 - 13002
34	Heat tent	104 - 13003
35	Firebox assembly - includes lid bumpers	104 - 13004
36	Firebox front outer panel	104 - 13005
37	LP gas valve & manifold	104 - 13006
38	Electronic ignition	104 - 13007
39	Control panel	70-01-406
40	Control knob bezel	104 - 13009
41	Control knob	104 - 13010
42	Main burner- with cotter pin	104 - 13011
43	Ignition electrode and ignition wire assembly	104 - 13012

REPLACEMENT PARTS LIST

PART	DESCRIPTION	PART #
44	Heat shield for electronic ignition	104 - 13013
45	Single direction caster - includes 4 screws/flat washers/spring washers	104 - 04018
n/a	Hardware Pack	104 - 05001
n/a	Owner's/Instruction Manual	70 - 10 - 567

Dyna-Glo®

GRIL À GAZ GPL À 3 BRULEURS

Modèle #DGB390BNP
#DGB390BNP-D



C US

ANS Z21.58b- 2012
CSA 1.6b- 2012
Pour la cuisson
à l'extérieur
Appareil au gaz

JOIGNEZ VOTRE REÇU ICI

Numéro de série _____ Date d'achat _____



Des questions, des problèmes, des pièces manquantes? Avant de retourner l'article au détaillant, appelez notre service à la clientèle au 1-877-447-4768, 08:30-16 heures 30, HNC, du lundi - vendredi ou par e-mail à customerservice@ghpgroupinc.com.

TABLE DES MATIÈRES

Consignes de sécurité	31
Contenu de l'emballage	33
Quincaillerie incluse	34
Préparation	34
Instructions pour l'assemblage	35
Mode d'emploi	42
Entretien	46
Dépannage	50
Garantie	52
Liste des pièces de rechange	53

Assembleur ou installateur : Le présent manuel contient des renseignements importants qui permettent d'assembler l'appareil de façon adéquate et de l'utiliser en toute sécurité. Avant d'assembler et d'utiliser cet appareil, lisez et suivez tous les avertissements ainsi que toutes les instructions. **Remettez ces instructions au consommateur.**

Consommateur ou utilisateur : Lorsque vous utilisez cet appareil, suivez tous les avertissements et toutes les instructions. **Veillez conserver les présentes instructions aux fins de consultation ultérieure.**



DANGER :

S'il y a une odeur de gaz:

- 1. Coupez l'admission de gaz de l'appareil.**
- 3. Ouvrir le couvercle.**
- 4. Si l'odeur persiste, éloignez-vous de l'appareil et appelez immédiatement le fournisseur.**



AVERTISSEMENT:

1. Ne pas entreposer ni utiliser de l'essence ni d'autres vapeurs ou liquides inflammables dans le voisinage de l'appareil, ni de tout autre appareil.
2. Une bouteille de propane qui n'est pas raccordée en vue de son utilisation, ne doit pas être entreposée dans le voisinage de cet appareil ou de tout autre appareil.
3. Ce barbecue est conçu pour usage à l'extérieur seulement. Ne pas utiliser ni entreposer la bouteille dans un bâtiment, un garage, un auvent ou un endroit fermé.
4. Ne laissez pas un barbecue allumé sans surveillance. Gardez le barbecue hors de la portée des enfants et des animaux en tout temps.

CONSIGNES DE SÉCURITÉ

Assurez-vous de lire et de comprendre l'intégralité de ce manuel avant de tenter d'assembler, d'utiliser ou d'installer le produit. Si vous avez des questions concernant ce produit, veuillez téléphoner au service à la clientèle au 1-877-447-4768, 08:30-16 heures 30, HNC, du lundi - vendredi.

DANGER

N'utilisez pas le barbecue dans un endroit présentant un risque d'explosion. Assurez-vous que l'espace autour du barbecue est propre et exempt de matériaux combustibles, d'essence et d'autres vapeurs ou liquides inflammables.

PROPOSITION 65 DE LA CALIFORNIE

Les combustibles utilisés dans les appareils de chauffage au gaz ou à l'huile, et les produits de combustion contiennent des produits chimiques reconnus par l'État de la Californie comme étant la cause de cancers et d'anomalies congénitales et d'autres problèmes liés aux fonctions reproductrices. Cet appareil contient des produits chimiques, notamment du plomb et des composés de plomb, reconnus par l'État de la Californie comme étant la cause de cancers, d'anomalies congénitales et d'autres problèmes liés aux fonctions reproductrices. ***Lavez-vous les mains après l'avoir manipulé.***

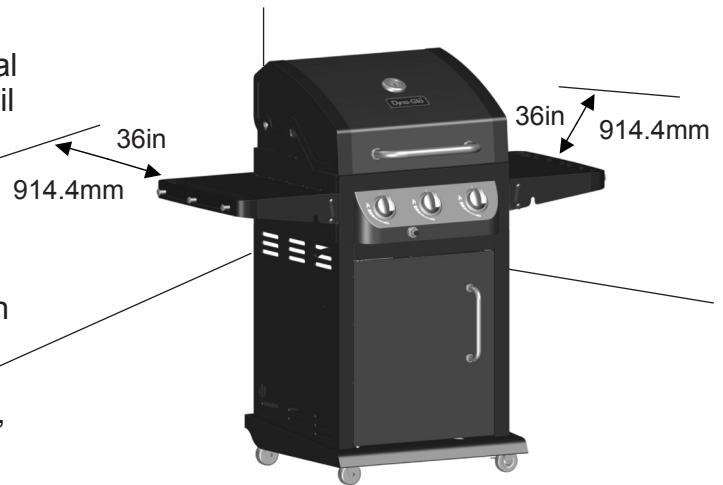
MISE EN GARDE

- N'utilisez jamais de gaz d'allumage pour charbon de bois ou d'essence à briquet avec ce barbecue.
- N'utilisez pas d'essence, de kérosène ni d'alcool pour l'allumage.
- Ce barbecue n'est pas destiné à être utilisé ou installé sur un véhicule récréatif ou un bateau.
- Ouvrez toujours le couvercle du barbecue lentement et avec précaution, car la chaleur et la vapeur emprisonnées qui s'en échappent peuvent causer des brûlures graves.
- N'essayez jamais de faire fonctionner ce barbecue avec du propane.
- Demandez toujours à un service d'entretien autorisé d'installer toute la tuyauterie d'alimentation en gaz nécessaire, la vanne d'arrêt manuel et les raccords à branchement rapide.

! AVERTISSEMENT

- Ne pas utiliser cet appareil sous une surface combustible ou un auvent. Dégagement minimal entre les parois latérales et l'arrière de l'appareil et la construction combustible (914,4 mm (36 po) à partir des parois latérales et 914,4 mm (36 po) à partir de l'arrière).

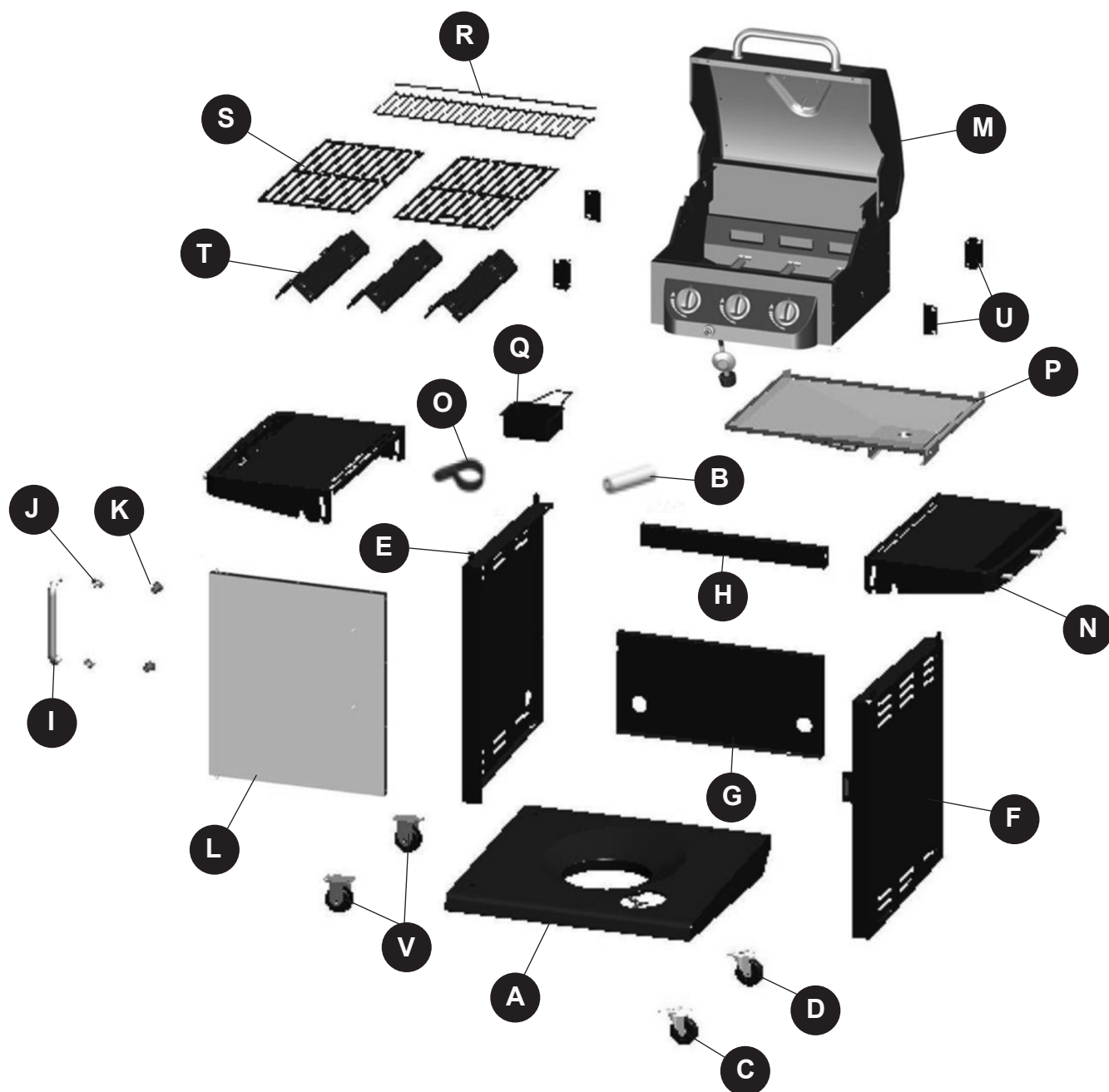
REMARQUE : L'installation doit être effectuée conformément à la réglementation locale ou, en l'absence d'une telle réglementation, au National Fuel Gas Code, ANSI Z223.1/NFPA 54, Natural Gas and Propane Installation Code, CSA B149.1, ou au Propane Storage and Handling Code, B149.2.



! MISE EN GARDE

- Ne pas entreposer ni utiliser de l'essence ni d'autres vapeurs ou liquides inflammables dans le voisinage de l'appareil, ni de tout autre appareil. Ne rangez aucun produit inflammable dans le chariot du barbecue.
- Une bouteille de propane qui n'est pas raccordée en vue de son utilisation, ne doit pas être entreposée dans le voisinage de cet appareil ou de tout autre appareil.
- Ce barbecue est conçu pour être alimenté par du gaz naturel seulement.
- Ne tentez jamais de raccorder ce barbecue au système autonome d'alimentation en gaz propane d'un bateau d'une caravane, d'une autocaravane ou d'une résidence.
- Ne tentez jamais de déplacer le barbecue lorsqu'il est allumé ou toujours chaud. Verrouillez toujours les roulettes avec frein lorsque vous ne déplacez pas le barbecue.
- N'utilisez pas le barbecue tant qu'il n'est pas complètement assemblé et tant que toutes les pièces ne sont pas fixées et serrées solidement.
- Maintenez tout objet ou toute surface combustible à une distance d'au moins 91,44 cm (36 po) du barbecue, et ce, en tout temps.
- Ne touchez pas les éléments en métal du barbecue avant que celui-ci ne soit complètement refroidi (environ 45 minutes) afin d'éviter les brûlures, à moins d'utiliser des articles de protection (poignées, gants, mitaines pour le barbecue, etc.).
- Ne modifiez ce barbecue d'aucune façon.
- Nettoyez et inspectez le tuyau avant chaque utilisation. Si vous constatez des signes d'abrasion ou d'usure, ou s'il est coupé ou qu'il fuit, il est important de le remplacer avant de faire fonctionner l'appareil. Vous devez utiliser l'ensemble de tuyau de remplacement précisé par le fabricant, lequel est indiqué dans la liste des pièces de rechange de ce manuel.
- Éloignez les tuyaux à gaz le plus loin possible des surfaces chaudes ou des débordements de graisse chaude.
- Assurez-vous que le compartiment du robinet du barbecue, ses brûleurs et les conduits d'aération sont toujours propres. Inspectez le barbecue avant chaque utilisation. N'entravez pas le flux de gaz ou d'air de la ventilation.
- L'alcool, les médicaments sous ordonnance et les médicaments vendus sans ordonnance peuvent affecter les facultés de l'utilisateur, l'empêchant d'assembler ce barbecue correctement ou de l'utiliser de manière sécuritaire.
- Ne laissez pas un barbecue allumé sans surveillance. Gardez le barbecue hors de la portée des enfants et des animaux en tout temps.
- Ne le placez pas sur une table. Placez le barbecue sur une surface plane.
- N'utilisez pas ce barbecue dans des conditions de grands vents.








CONTENU DE L'EMBALLAGE



PIÈCE	DESCRIPTION	QTÉ
A	Plaque de fond	1
B	Pile AA de (1,5 V)	1
C	Roulette pivotante	1
D	Roulette pivotante à verrouillage	1
E	Panneau latéral gauche du chariot	1
F	Panneau latéral droit du chariot	1
G	Panneau arrière du chariot	1
H	Supérieure Renfort de porte avant	1
I	Poignée de porte	1
J	Collerette de poignée de porte	2
K	Manchon de poignée de porte	2

PIÈCE	DESCRIPTION	QTÉ
L	Ensemble de porte	1
M	Corps du chariot	1
N	Petite table latérale	2
O	Support de tuyau	1
P	Bac à graisse	1
Q	Récipient à graisse	1
R	Grille de réchaud	1
S	Grille de cuisson	2
T	Tente de chaleur	3
U	Soutien Table d'appoint	4
V	Roulette cours unique	2

QUINCAILLERIE INCLUSE (grandeur réelle)

						
Vis M6 de 12 mm	Vis M6 de 12 mm	Rondelle ordinaire	Rondelle à ressort	Vis M4 de 12 mm	M4 écrou	Vis de consolidation M6
Qté : 40	Qté : 2	Qté : 20	Qté : 16	Qté : 1	Qté : 1	Qté : 8

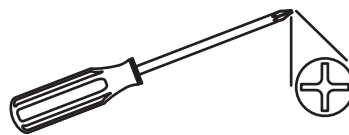
REMARQUE :
Préassemblée
à la poignée
de porte.

PRÉPARATION

Avant de commencer l'assemblage du produit, assurez-vous d'avoir toutes les pièces. Comparez les pièces dans l'emballage avec la liste des pièces de la page précédente et la quincaillerie indiquée ci-dessus. S'il y a des pièces manquantes ou endommagées, ne tentez pas d'assembler le produit. Communiquez avec le service à la clientèle pour obtenir des pièces de rechange.

Temps d'assemblage approximatif : 50 minutes, par deux personnes

Outils nécessaires pour l'assemblage et la vérification des fuites (non inclus) : tournevis cruciforme et vaporisateur



⚠ MISE EN GARDE




CET ARTICLE EST LOURD. DEUX PERSONNES SONT NÉCESSAIRES POUR ASSEMBLER L'ARTICLE EN TOUTE SÉCURITÉ.

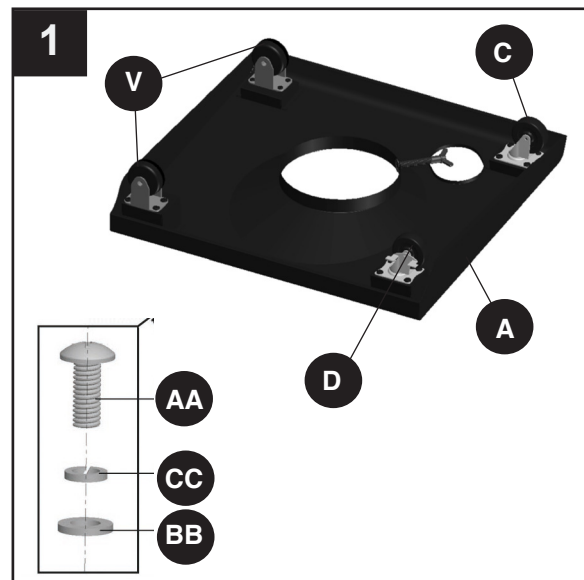
Deux personnes sont nécessaires pour l'assembler en toute sécurité. Soyez prudent, car certaines pièces peuvent avoir des bords coupants. Au besoin, portez des gants protecteurs. Lisez et respectez tous les énoncés sur la sécurité et les avertissements, et suivez toutes les instructions pour l'assemblage ainsi que la section sur l'entretien de l'article avant de tenter d'assembler et d'utiliser cet article.

INSTRUCTIONS POUR L'ASSEMBLAGE

1. Monter les roulettes, dont 2 roulette cours unique (V), non-verrouillage roulettes pivotantes (C), 2 roulettes pivotantes de verrouillage (D), sur la tablette inférieure (A) avec 4 vis M6 (AA), la rondelle plate (BB) et la rondelle à ressort (CC) pour chaque roulette.

Quincaillerie utilisée

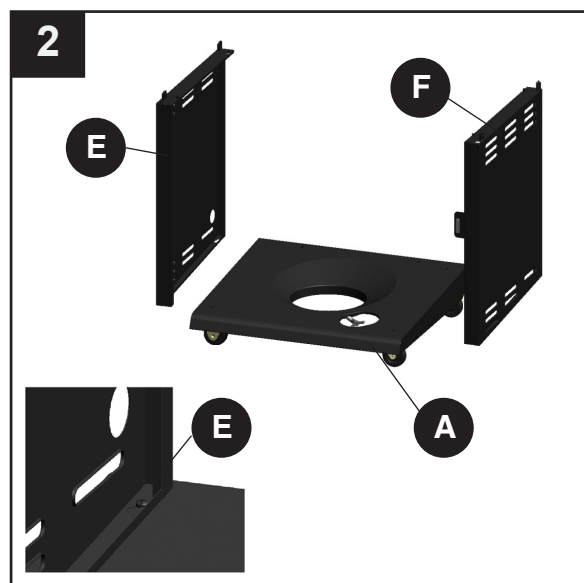
AA	Vis M6 de 12 mm		x 16
BB	Rondelle ordinaire		x 16
CC	Rondelle à ressort		x 16



2. Insérer 4 vis (AA) dans les trous de la plaque de fond (A). Ne les vissez pas à fond. Laissez une espace de 4 à 6 mm entre les têtes de vis et la plaque de fond (A). Attacher le panneau latéral gauche (E) du chariot en plaçant les encoches en trou de serrure du panneau sur les têtes de vis (AA) du côté gauche de la plaque de fond (A). Glisser le panneau latéral gauche (E) de façon à ce que les têtes de vis se logent dans la petite partie des encoches en trou de serrure. Enfoncer les vis (AA) mais, à cette étape, ne les vissez pas à fond. Répéter le même processus avec le panneau latéral droit (F) du chariot.

Quincaillerie utilisée

AA	Vis M6 de 12 mm		x 4
-----------	-----------------	---	-----



INSTRUCTIONS POUR L'ASSEMBLAGE

3. Insérer une vis (AA) dans chaque trou situé à l'arrière du panneau latéral gauche et droit (E et F) du chariot. Ne les vissez pas à fond. Laissez une espace de 4 à 6 mm entre les tête de vis et les panneaux latéraux (E et F). Attacher le panneau arrière (G) du chariot en le glissant jusqu'à ce que ses trous se logent sur les vis insérées puis ,enfoncez avec force. Fixer le panneau arrière (G) du chariot à la plaque de fond (A) à l'aide de 2 vis (AA). Serrer les 2 vis des panneaux latéraux (E et F).

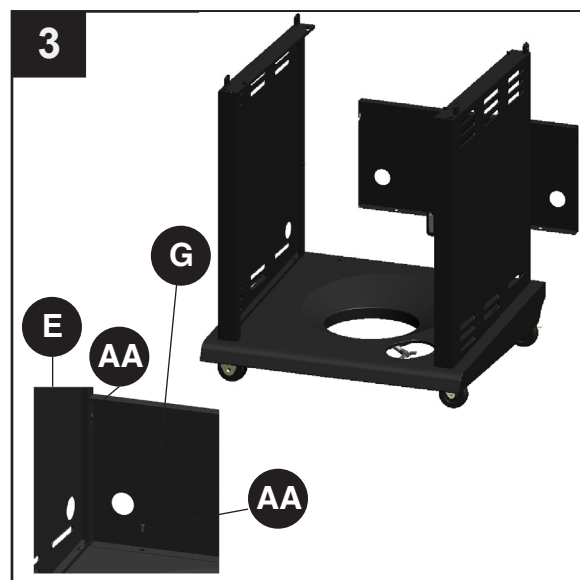
Quincaillerie utilisée

AA

Vis M6
de 12 mm



x 4



4. Insérer 2 vis (AA) dans les trous supérieurs de devant (marqués numéro 1) des panneaux latéraux gauche et droit (E et F) du chariot. Ne les vissez pas à fond. Laissez une espace de 4 à 6 mm entre les têtes de vis et les panneaux (E et F). Attacher la traverse de renfort supérieure (H) de la porte frontale au plus grand trou situé sur la traverse(H). Glisser cette traverse (H) de façon à ce que ses têtes de vis se logent dans le plus petit trou. Enfoncez les vis mais ne les vissez pas à fond. Fixer les 2 autres vis dans les trous (marqués numéro 2).

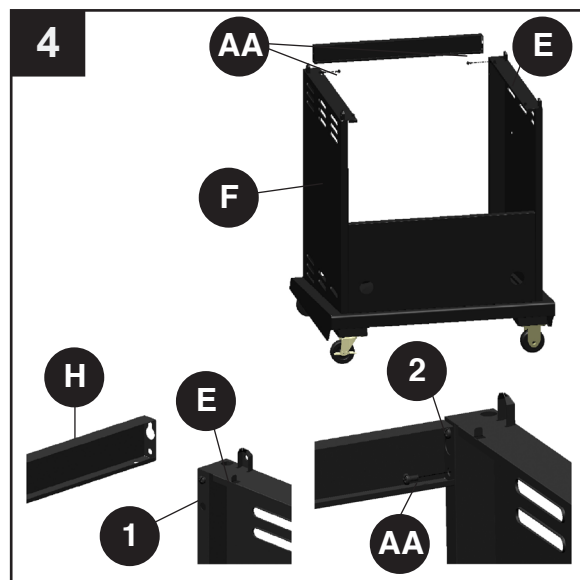
Quincaillerie utilisée

AA

Vis M6
de 12 mm



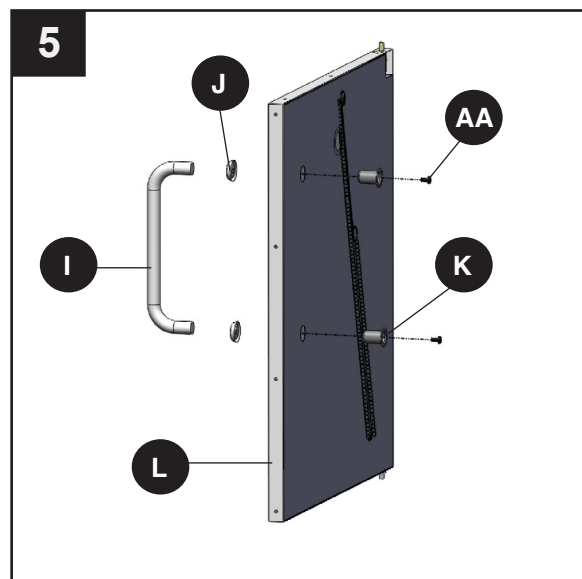
x 4



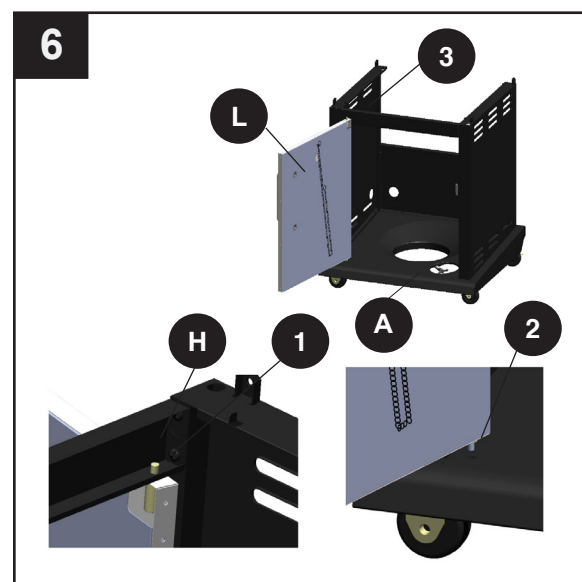
INSTRUCTIONS POUR L'ASSEMBLAGE

5. Retirer les 2 vis prémontées (AA) et les manchons de poignée de porte (K) de la poignée de porte (I). Insérer les 2 manchons de porte (K) dans les trous situés derrière l'ensemble de la porte (L). Insérer 2 vis (AA) dans les manchons de porte (K) à travers les collerettes de poignée de porte (J) et dans les trous spiralés de la poignée de porte (I). Serrez les vis avec un tournevis Phillips.

Quincaillerie utilisée

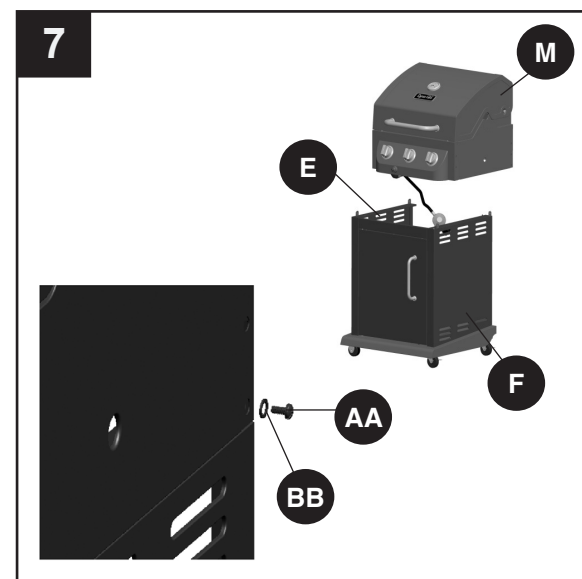
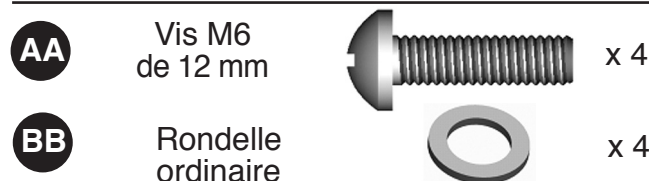


6. Insérer la goupille à charnière inférieure (marquée numéro 2) de l'ensemble de la porte (L) dans le trou de la plaque de fond. Enfoncer manuellement la goupille à charnière (marquée numéro 3) située en haut de l'ensemble de la porte et l'insérer dans le trou (marqué numéro 1) de la traverse de renfort supérieure de devant (H).



7. Placer soigneusement le corps du grill (M) sur le panneau latéral de gauche et celui de droite (E et F) du chariot. Ajuster le corps du grill (M) de façon à ce que les trous de (M) soient alignés avec les trous des languettes des panneaux latéraux (E et F).
REMARQUE: Assurez-vous que le tuyau de gaz se trouve à l'intérieur du chariot. Fixer le corps du grill (M) en utilisant 2 vis (AA) et les rondelles plates (BB) pour chaque côté.

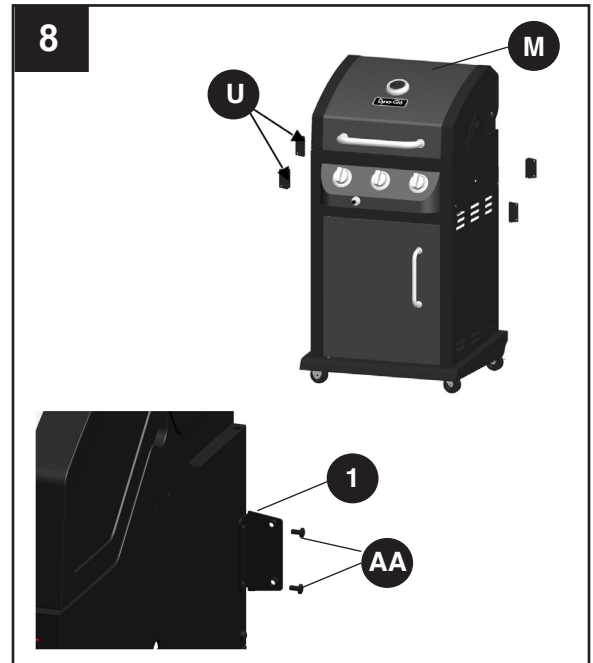
Quincaillerie utilisée



INSTRUCTIONS POUR L'ASSEMBLAGE

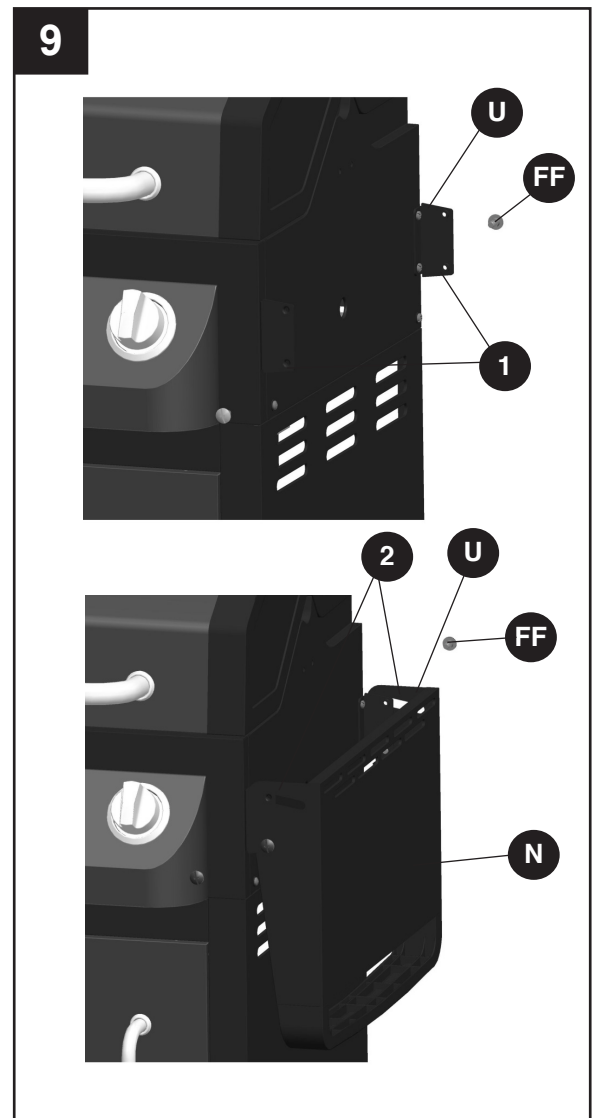
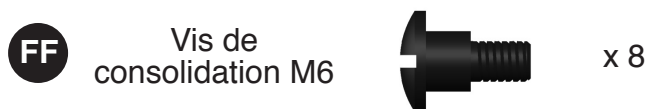
8. Installer les supports de fixation de la table latérale (U) en introduisant 2 vis M6x12mm (AA) dans les trous (marqués numéro 1) d'un côté du corps du grill (M). Serrez les vis. Répétez le même processus pour les supports de fixation de la table latérale (U) de l'autre côté.

Quincaillerie utilisée



9. Fixer 2 vis de consolidation (FF) dans les trous (marqués numéro 1) aux supports de fixation (U) de la petite table latérale. Fixer la petite table latérale (N) aux supports de fixation (U) en introduisant 2 vis de consolidation (FF) dans les trous (marqués numéro 2). Serrez les vis. Répétez le même processus avec la petite table latérale (N) de l'autre côté.

Quincaillerie utilisée





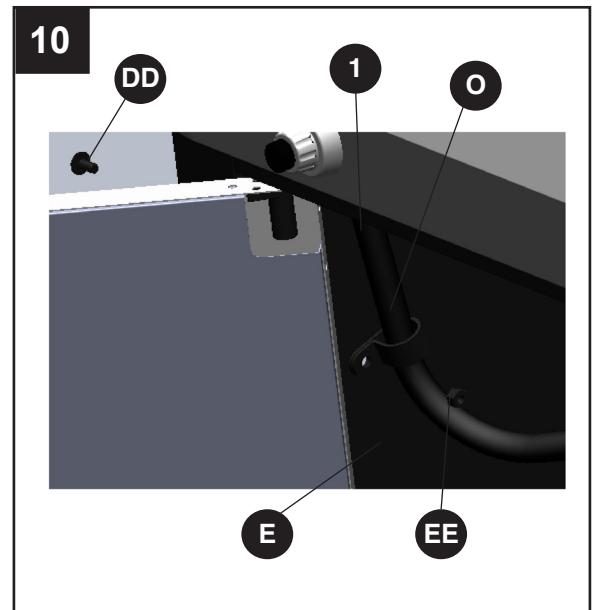
INSTRUCTIONS POUR L'ASSEMBLAGE

10. Fixer le tuyau à gaz et l'ensemble de support de tuyau (O) à l'ensemble (E) du côté gauche du chariot en introduisant et en bien serrant 1 vis M4x12 (DD) et 1 écrou M4 (EE) dans le trou (marqué numéro 1) de la petite table latérale gauche du chariot.

REMARQUE: Le gazomètre (O) doit complètement entourer le tuyau à gaz avant d'être fixé au panneau latéral gauche (E) du chariot comme illustré ci-dessous.

Quincaillerie utilisée

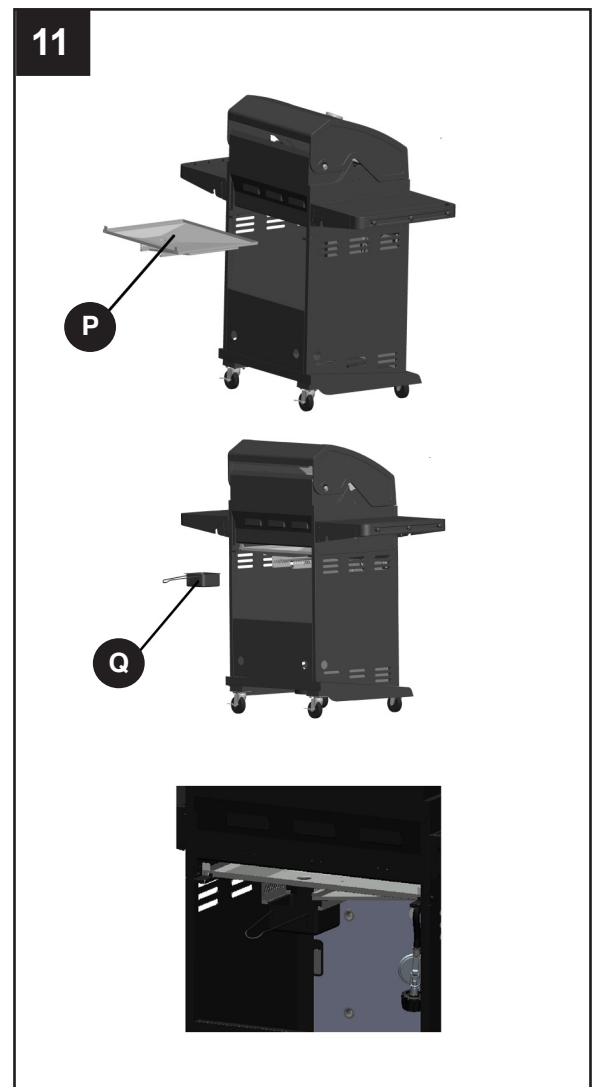
DD	Vis M4 de 12 mm		x 1
EE	M4 Ecrou		x 1



11. Insérer le bac à graisse (P). Mettez le en place en le faisant glisser dans le corps du grill, par derrière, le long des rails situés juste en dessous de la surface d'en dessous du corps du grill.

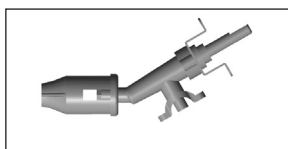
REMARQUE: Le bac à graisse doit être positionné comme illustré ci-dessous (les rails de support du récipient à graisse se trouvent sur votre gauche, faisant face à la partie arrière du grill).

Insérer le récipient à graisse (Q). Mettez le en place en le glissant sur les rails de support du fond du bac à graisse.

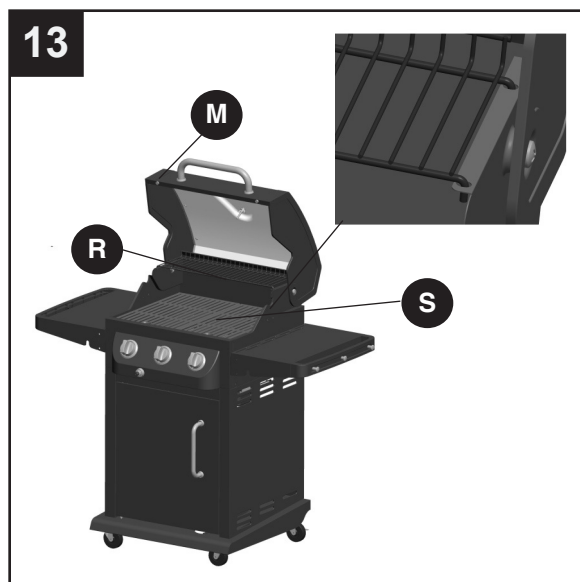
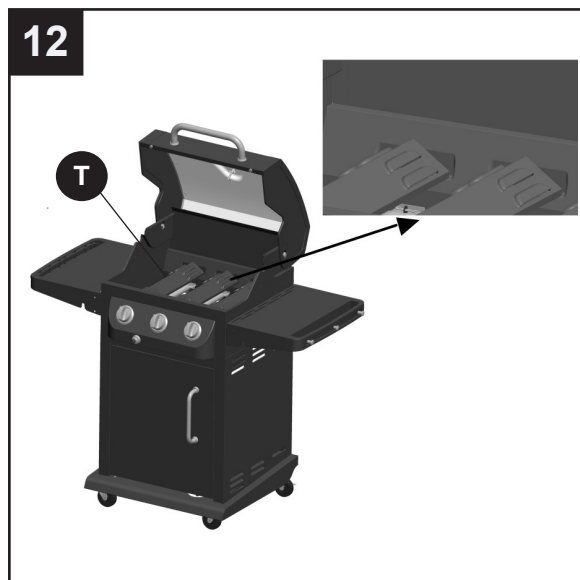


INSTRUCTIONS POUR L'ASSEMBLAGE

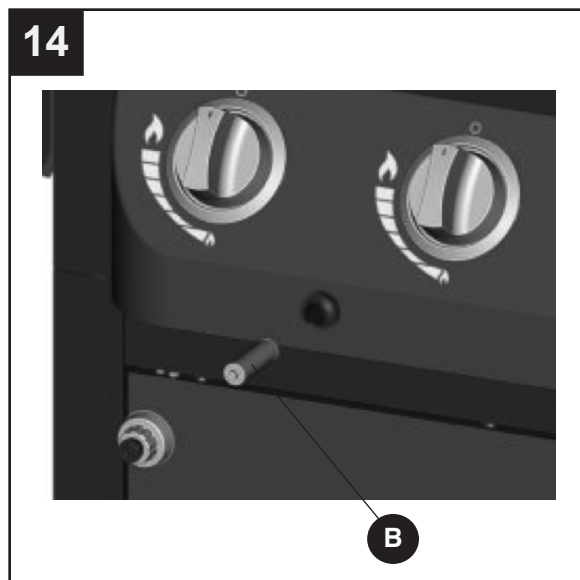
! AVERTISSEMENT : IL EST TRÈS IMPORTANT DE S'ASSURER QUE CHACUN DES BRÛLEURS EST COMPLÈTEMENT INSÉRÉ DANS L'ORIFICE DU ROBINET ADJACENT AVANT DE PASSER À L'ÉTAPE 12. LE NON-RESPECT DE CETTE CONSIGNE POURRAIT ENTRAÎNER UN INCENDIE OU UNE EXPLOSION, CE QUI POURRAIT CAUSER DES BLESSURES GRAVES, VOIRE LA MORT. CONSULTEZ LES INSTRUCTIONS DE LA SECTION ENTRETIEN INDIQUANT LA FAÇON ADÉQUATE DE VÉRIFIER SI LES BRÛLEURS SONT INSÉRÉS.



12. Placer les boucliers thermiques pour le contrôle des flammes (T) dans le foyer comme illustré.
13. Placer les grilles de cuisson (S) dans le corps du gril (M) comme illustré. Fixer bien la grille qui sert à tenir les produits à réchauffer (R) dans le corps du gril (M).
REMARQUE: Cette grille qui sert à tenir les produits à réchauffer repose sur 4 trous ; 2 trous sont positionnés de chaque côté du gril.



14. Dévisser le bouchon de l'allumeur et mettez une pile AA (B) dans le corps de l'allumeur en plaçant la face positive + de la pile vers le haut. Remettre le bouchon par la suite.



INSTRUCTIONS POUR L'ASSEMBLAGE

15. Ouvrir l'ensemble de la porte (L) et placer la bouteille GPL (vendue séparément) dans son emboîtement situé sur la plaque de fond (A). Ajuster la bouteille de gaz jusqu'à ce qu'elle soit dans la bonne position (permettant ainsi au tuyau à gaz d'être branché à la soupape de la bouteille de gaz). Serrez manuellement le tuyau/régulateur de couplage à la soupape fileté de la bouteille de gaz GPL. Serrer bien les vis de la bouteille jusqu'à ce qu'elle soit bien en place dans son emboîtement qui se trouve dans le chariot.

Entièrement Assemblé

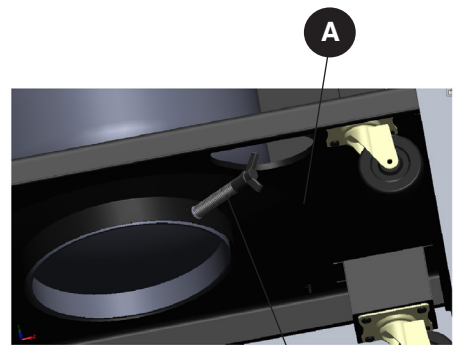
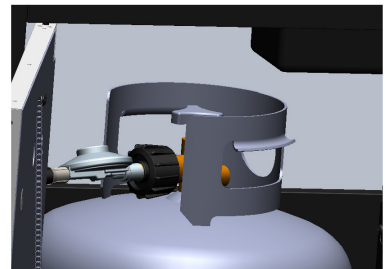


Vue avant



Voir l'arrière

15



Vis réservoir

MODE D'EMPLOI

DÉTECTION DES FUITES

Après avoir fait tous les branchements, vérifiez s'il y a des fuites en vaporisant de l'eau savonneuse sur le robinet du réservoir de propane liquéfié, le tuyau de gaz et le régulateur.

Pour prévenir les incendies ou les explosions lorsque vous tentez de détecter les fuites :

- Procédez toujours à la détection des fuites avant d'allumer le barbecue.
- Ne fumez pas lorsque vous vérifiez la présence de fuites.
- Procédez toujours à la détection des fuites à l'extérieur, dans un endroit bien aéré.
- N'utilisez aucune source de flamme lorsque vous vérifiez la présence de fuites.
- N'utilisez pas le barbecue tant que toutes les fuites n'ont pas été colmatées.
- Si vous ne pouvez colmater une fuite, débranchez immédiatement l'alimentation et appelez un service de réparation d'appareils.

VÉRIFICATION DES FUITES

- Préparez une solution afin de procéder à la vérification des fuites; mélangez une part de savon à vaisselle liquide et trois parts d'eau. Vous aurez besoin d'environ 70 à 90 ml (2 à 3 oz) de liquide. Versez la solution en question dans un vaporisateur.
- Assurez-vous que tous les boutons de commande sont à la position arrêt.
- Ouvrez le robinet du réservoir de propane liquéfié.
- Vaporisez la solution sur tous les branchements et les raccords dans lesquels circule du gaz. La présence de bulles à un endroit où vous avez appliqué la solution d'eau savonneuse indique une fuite de gaz. Si vous détectez ou entendez une fuite, ou si vous sentez une odeur de gaz, fermez le réservoir de propane liquéfié immédiatement et réparez la fuite ou remplacez la pièce défectueuse. N'utilisez pas le barbecue tant que toutes les fuites n'ont pas été colmatées.

⚠ MISE EN GARDE

Utilisez uniquement l'ensemble régulateur et tuyau fourni! Si vous avez besoin d'une pièce de rechange, communiquez avec le service à la clientèle. N'utilisez pas de pièces de rechange qui ne sont pas conçues pour ce barbecue.

⚠ AVERTISSEMENT

TOUTES LES INSTRUCTIONS ET MESURES DE SAUVEGARDE SUR CETTE PAGE DOIVENT ÊTRE SUIVIES POUR PRÉVENTION INCENDIE, DOMMAGES ET / OU DE BLESSURES.

MODE D'EMPLOI

RACCORD DE LA BOUTEILLE DE GAZ

La bouteille de propane liquéfié utilisée doit être fabriquée et identifiée conformément aux normes pour les bouteilles de propane liquéfié du Specifications for LP Gas Cylinders of the U.S. Department of Transportation (D.O.T.) or the National Standard of Canada, CAN/CSA-B339, Cylinders, Spheres and Tubes for Transportation of Dangerous Goods; and Commission, le cas échéant, et munie d'un dispositif de protection contre les débordements.

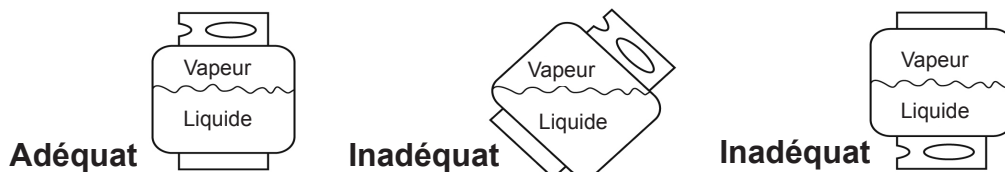
Utilisez seulement une bouteille de 9,07 kg (hauteur de 45,99 cm, diamètre de la bouteille de 24,99 cm, diamètre du pied de 20,4 cm) dotée d'un dispositif de raccord de bouteille compatible avec le raccord des appareils de cuisson à l'extérieur. La bouteille doit comporter un collet protecteur pour le robinet. Prenez soin de ne pas laisser échapper la bouteille de gaz ni la manipuler rudement!

Déconnectez la bouteille de gaz lorsque l'appareil n'est pas utilisé. Il est permis d'entreposer l'appareil à l'intérieur UNIQUEMENT si la bouteille de gaz est déconnectée et retirée de l'appareil. La bouteille doit être entreposée à l'extérieur et placée hors de la portée des enfants. Elle ne doit pas être entreposée dans un immeuble, un garage ou tout autre espace clos. Il ne faut jamais l'entreposer dans un endroit où la température peut excéder 51,7 °C.

Mettez un bouchon antipoussière sur la sortie du robinet d'une bouteille qui n'est pas utilisée. Utilisez uniquement le type de bouchon antipoussière fourni avec le robinet de la bouteille. D'autres types de bouchons pourraient ne pas être étanches et permettre des fuites de propane.

Avant de faire le raccord, assurez-vous qu'aucun débris n'obstrue le tuyau de sortie de la bouteille de gaz, du manodétendeur, du brûleur ou des orifices du brûleur. Raccordez le manodétendeur et resserrez-le à la main fermement. Fermez le robinet de la bouteille, puis déconnectez la bouteille de propane du manodétendeur lorsque le barbecue n'est pas utilisé.

N'ENTRAVEZ PAS le flux d'air de combustion et de ventilation se rendant au barbecue. La bouteille de propane doit être munie d'un système permettant le retrait de la vapeur et d'un dispositif reconnu de prévention des trop-pleins. Veuillez orienter la bouteille dans le sens indiqué pour permettre le retrait de la vapeur. REMARQUE : La bouteille de gaz doit toujours être en position verticale afin de permettre uniquement le retrait de la vapeur.



⚠ MISE EN GARDE

- N'entreposez pas de bouteille de GPL sous le barbecue ou à proximité de celui-ci.
- Ne remplissez jamais une bouteille de GPL à plus de 80 % de sa capacité.
- Si les directives mentionnées au point (a) et au point (b) ne sont pas suivies exactement, un incendie causant la mort ou des blessures graves peut se produire.



MODE D'EMPLOI


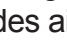
REMARQUE : Vous pouvez utiliser d'autres bouteilles avec cet appareil, pourvu qu'elles conviennent au trou pour la bouteille et aux dispositifs de fixation. Consultez l'étape 15 des instructions pour l'assemblage pour connaître la manière adéquate de fixer une bouteille au support de bouteille.

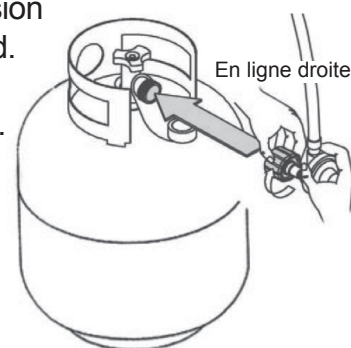
⚠ AVERTISSEMENT

TOUTES LES INSTRUCTIONS ET MESURES DE SÉCURITÉ QUI SUIVENT DOIVENT ÊTRE RESPECTÉES AFIN DE PRÉVENIR LES INCENDIES, LES DOMMAGES ET LES BLESSURES.

RACCORDEMENT DE LA BOUTEILLE DE PROPANE

1. Le robinet de la bouteille de propane doit être fermé. Pour vérifier si c'est le cas, assurez-vous qu'il n'est pas possible de le tourner davantage dans le sens des aiguilles  d'une montre. Le système d'alimentation de la bouteille doit être placé de façon à permettre le retrait du propane à l'état gazeux.
2. Vérifiez que le bouton de commande du dispositif de commande du brûleur est à la position « OFF » (arrêt).
3. Retirez le capuchon de protection du robinet du réservoir de propane liquéfié et de l'écrou d'accouplement.
4. Tenez le régulateur dans une main et insérez le mamelon dans le tuyau de sortie. Assurez-vous que le mamelon est bien centré dans le tuyau de sortie. L'écrou d'accouplement se visse sur les filets extérieurs de grande dimension du tuyau de sortie. Faites attention de ne pas fausser le filetage du raccord.
5. Serrez l'écrou d'accouplement à la main dans le sens des aiguilles  d'une montre jusqu'à ce qu'il ne soit plus possible de le tourner davantage. Vissez-le fermement à la main seulement. N'utilisez pas d'outils.

Déconnexion : Fermez complètement le robinet du réservoir en tournant dans le sens des aiguilles  d'une montre. Tournez dans le sens contraire  des aiguilles d'une montre jusqu'à ce que l'écrou se détache du régulateur.



⚠ AVERTISSEMENT

Lorsque vous effectuez les raccordements, assurez-vous que :

- le connecteur de l'orifice d'entrée du régulateur est correctement et solidement raccordé au tuyau de sortie de la bouteille;
- le tuyau de gaz propane liquéfié ne touche pas au foyer du barbecue.

MODE D'EMPLOI

ALLUMAGE DU BARBECUE

Avant la première utilisation :



Retirez toutes les étiquettes et les courroies de plastique, le cas échéant. Avant d'utiliser votre nouveau barbecue au gaz, il est nécessaire de le nettoyer à la chaleur. Pour ce faire, faites fonctionner le barbecue pendant une quinzaine de minutes; le couvercle doit être fermé et le bouton de commande, à la position maximale. De cette façon, la chaleur brûlera tous les résidus et dissipera l'odeur provenant du processus de fabrication, nettoyant ainsi les pièces internes.

⚠ MISE EN GARDE

Si la flamme s'éteint accidentellement pendant l'allumage ou l'utilisation du barbecue, FERMEZ immédiatement le robinet de la bouteille de propane, puis FERMEZ le bouton de commande du brûleur.

⚠ AVERTISSEMENT



**Ne vous penchez pas au-dessus du barbecue lorsque vous l'allumez.
Lisez les instructions avant d'allumer l'appareil.**

1. Vérifiez que les boutons de commande sont à la position O arrêt.
2. Ouvrez complètement le robinet du réservoir en le tournant dans le sens  contraire des aiguilles d'une montre.
3. Ouvrez le couvercle avant d'allumer l'appareil.
4. Enfoncez l'allumeur pendant 3 ou 4 secondes tout en tournant le bouton de commande de droite à la position  maximale. Le brûleur devrait s'allumer. Si l'appareil ne s'allume pas en 5 secondes, fermez le robinet du brûleur, attendez 5 minutes, et procédez de nouveau à l'allumage ou consultez les instructions pour l'allumage avec une allumette indiquées ci-dessous.
5. Répétez l'opération pour tous les autres brûleurs.

Si le brûleur ne s'allume toujours pas, vérifiez qu'il ya du gaz dans le cylindre et suivez les instructions d'allumage du match.

MODE D'EMPLOI

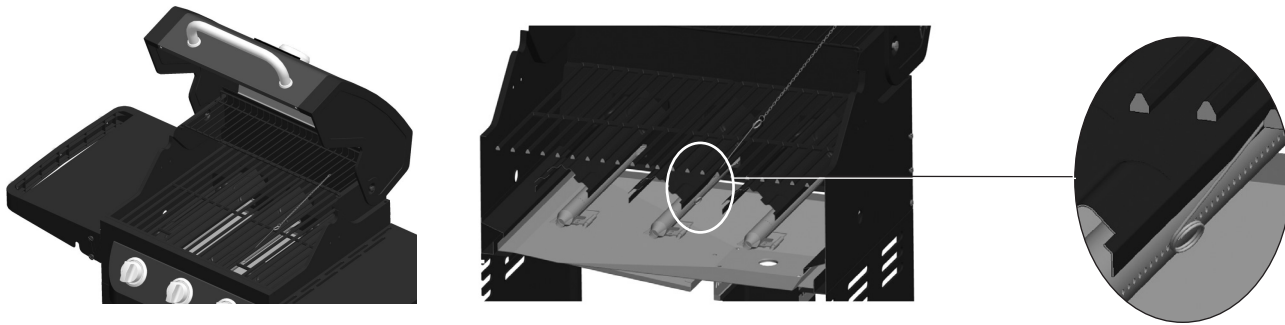
ALLUMAGE DU BARBECUE AVEC UNE ALLUMETTE

1. Insérez une allumette à l'extrémité du support à allumettes situé à l'intérieur de la porte du charriot.
2. Allumez l'allumette.
3. Insérez sans tarder l'allumette enflammée dans le trou de 20 mm (0,75 po) situé sur le côté du corps du barbecue le plus près du brûleur que vous souhaitez allumer. Assurez-vous que l'allumette enflammée est près des orifices du brûleur.
4. Appuyez sur le bouton de commande lié au brûleur et tournez-le dans le sens  contraire des aiguilles d'une montre à la position  maximale; le brûleur devrait s'allumer immédiatement.
5. Réglez les brûleurs à l'intensité de cuisson désirée.



Si vous devez allumer les deux brûleurs, répétez les étapes 1 à 4 afin d'allumer l'autre brûleur.

⚠ MISE EN GARDE

Assurez-vous que toutes les commandes des brûleurs sont éteints, sauf le brûleur étant allumé et les brûleurs qui ont été allumés.



INSTRUCTIONS POUR L'ARRÊT

1. Tournez les boutons de commande dans le sens des  aiguilles d'une montre jusqu'à la position O arrêt.
2. Fermez complètement le robinet du réservoir en le tournant dans le sens des  aiguilles d'une montre.
3. Fermez le couvercle.

Couper l'alimentation en gaz PL à la bouteille si l'appareil n'est pas utilisé.

ENTRETIEN

GRILLES DE CUISSON

Il est recommandé de brûler les résidus sur la grille de cuisson environ quinze minutes après chaque utilisation. Le barbecue est encore chaud et nécessite donc moins de gaz pour atteindre la chaleur nécessaire pour brûler les résidus.

Pour brûler les résidus ou nettoyer votre barbecue par la chaleur, allumez les brûleurs à la position maximale et laissez-les fonctionner pendant 15 minutes, le couvercle du barbecue fermé. Ensuite, éteignez les brûleurs et utilisez une brosse métallique afin de nettoyer les résidus de nourriture qui se trouvent sur les grilles.

Les grilles de porcelaine ont un fini d'émail vitrifié (semblable au verre). Veillez à les manipuler avec soin pour ne pas les ébrécher.

⚠ MISE EN GARDE

Avant de nettoyer et d'entretenir le barbecue, assurez-vous qu'il est refroidi et que l'alimentation en gaz de la bouteille de propane est fermée.

ENTRETIEN

PRODUITS DE NETTOYAGE RECOMMANDÉS

Savon à vaisselle liquide doux, eau tiède, tampon à récurer en nylon, brosse métallique.

N'utilisez PAS de produits nettoyants contenant de l'acide, de l'essence minérale ou toute substance abrasive.

SURFACES EXTÉRIEURES

Il est recommandé de n'utiliser que du savon à vaisselle liquide doux et de l'eau chaude pour nettoyer le barbecue et les pièces de celui-ci. Rincez à l'eau tiède.

CUVETTE INFÉRIEURE À L'INTÉRIEUR DU CORPS DU BARBECUE

Afin d'éviter les montées de flammes, il est recommandé de nettoyer régulièrement la cuvette inférieure située à l'intérieur du barbecue. Enlevez les résidus à l'aide d'une brosse, d'un grattoir ou d'un tampon à récurer. Nettoyez doucement à l'aide de savon à vaisselle liquide doux et d'eau tiède. Rincez à l'eau tiède. Évitez d'éclabousser les tubes diffuseurs des brûleurs.

PLAQUES CHAUFFANTES

Nettoyez les résidus à l'aide d'une brosse métallique et lavez avec du savon à vaisselle doux et de l'eau tiède. Rincez à l'eau tiède.

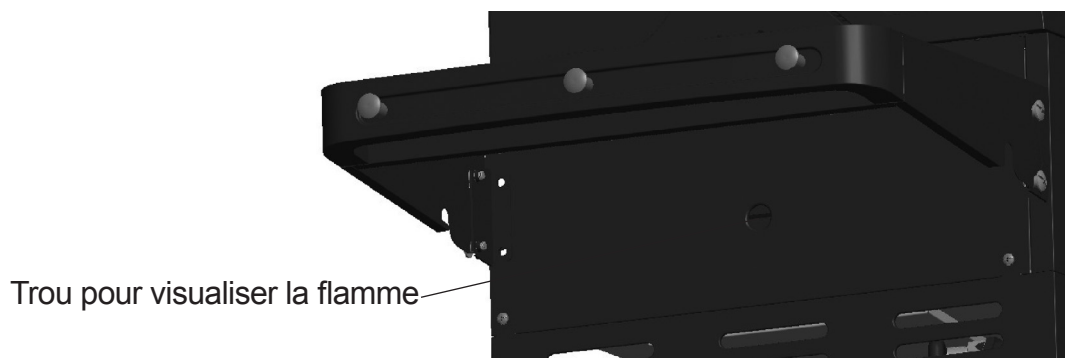
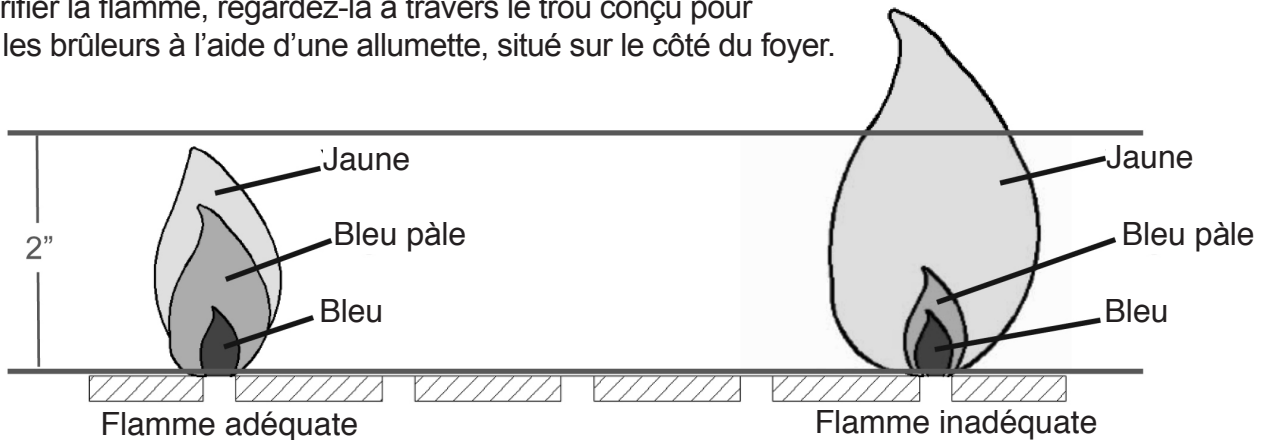
BAC RAMASSE-GRAISSE

Videz le bac ramasse-graisse, puis nettoyez-le régulièrement avec du savon à vaisselle liquide doux et de l'eau tiède.

VÉRIFICATION DE LA FLAMME

Pour obtenir un rendement énergétique optimal ainsi qu'une excellente cuisson, la flamme devrait être jaune et bleue, et sa hauteur, d'environ 2,5 cm à 5 cm.

Pour vérifier la flamme, regardez-la à travers le trou conçu pour allumer les brûleurs à l'aide d'une allumette, situé sur le côté du foyer.



ENTRETIEN

ENSEMBLE DE BRÛLEUR

RETRAIT DE L'ENSEMBLE DE BRÛLEUR

1. Assurez-vous que tous les boutons de commande sont à la position « OFF » (arrêt), que le robinet du réservoir de propane liquéfié est fermé et que ce dernier n'est relié ni au régulateur ni au barbecue.

2. Ouvrez ensuite le couvercle et retirez la grille de maintien au chaud, les grilles de cuisson et les plaques chauffantes.



3. Retirez la goupille de charnière comme illustré dans la Figure 1. Retirez les 2 vis qui fixent l'électrode d'allumage du brûleur, comme illustré dans la Figure 2.

Figure 1

L'axe d'articulation

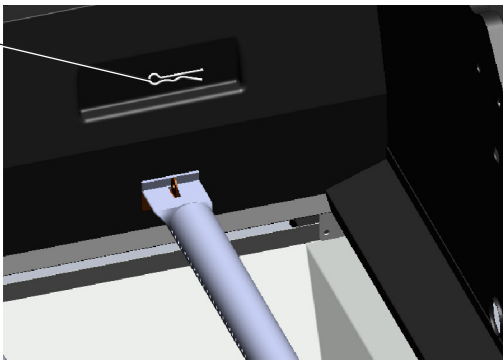
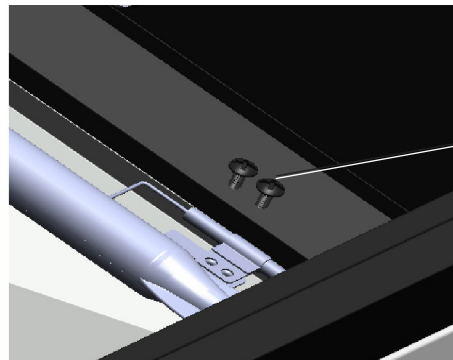
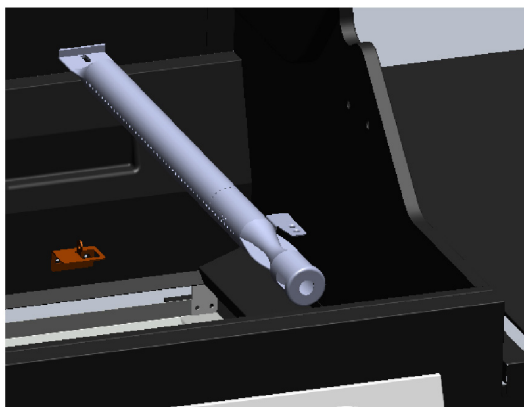


Figure 2

Vis



4. Faites glisser hors de la chambre de combustion des brûleurs, comme illustré.



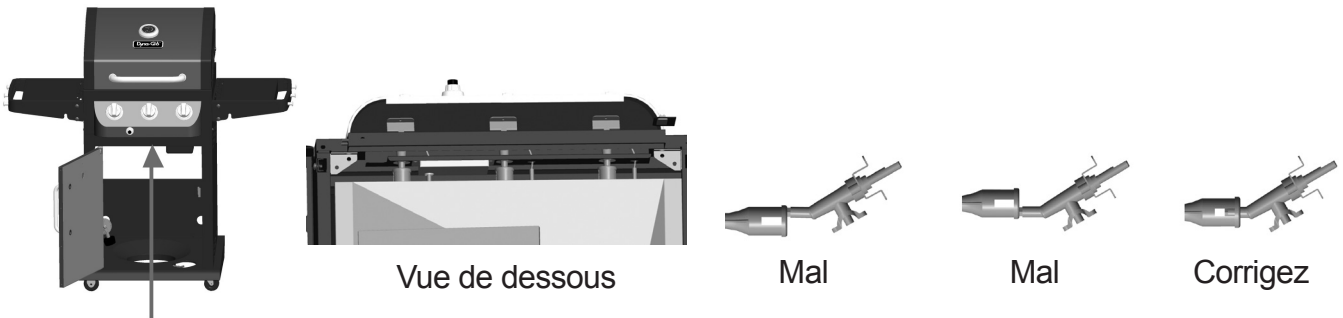
ENTRETIEN

NETTOYAGE DE L'ENSEMBLE DE BRÛLEUR – Assurez-vous que le barbecue est refroidi.

1. Assurez-vous que tous les orifices du brûleur ne sont pas bouchés. Pour ce faire, utilisez une épingle ou un trombone.
2. Assurez-vous que le brûleur n'est pas endommagé. Le cas échéant, remplacez-le par un nouveau brûleur.
3. Assurez-vous que l'extrémité du brûleur et le filtre à air principal sont exempts de nids d'insectes, de poussière ou de débris.

RÉINSTALLATION DU BRÛLEUR

Assurez-vous que les orifices du robinet de gaz sont placés correctement à l'intérieur du diffuseur du brûleur (venturi). Vous devrez peut-être utiliser une lampe de poche pour les installer correctement. Il est recommandé de vérifier leur position à travers les trous de ventilation du foyer du barbecue, tel que l'illustre la figure ci-dessous.



Voir la position correcte
à partir du fond de la chambre de combustion.

⚠ AVERTISSEMENT

Si les directives mentionnées précédemment ne sont pas suivies, un incendie ou une explosion pourrait survenir, risquant de causer des blessures graves, voire la mort.

AUTRES TYPES D'ENTRETIEN

Nous vous recommandons de faire faire l'entretien de cet appareil une fois par année par un technicien qualifié.

Nous vous recommandons de vérifier régulièrement que l'espace autour du barbecue au gaz est exempt de tout matériau combustible, essence et autres vapeurs et liquides inflammables.

Nous vous recommandons de vérifier régulièrement que le flux d'air de combustion et de ventilation n'est pas entravé.

Nous vous recommandons de vérifier régulièrement que les ouvertures de ventilation entourant la bouteille (sur le charriot) sont exemptes de débris.

Nous vous recommandons de vérifier régulièrement les tubes du venturi et du brûleur, et de les nettoyer si des insectes ou des nids d'insectes s'y trouvent. Un tube obstrué peut causer un feu sous le barbecue.

ENTRETIEN

L'allumage électronique nécessite une pile alcaline « AA » incluse.

⚠ AVERTISSEMENT

N'utilisez PAS de vieilles piles avec des piles neuves.

NE combinez PAS des piles alcalines avec des piles ordinaires (carbone-zinc) ou avec des piles rechargeables (nickel-cadmium).

NE jetez PAS les piles au feu. Une mise au rebut inadéquate pourrait causer une fuite ou faire exploser les piles.

DÉPANNAGE

Si vous avez des questions, veuillez téléphoner au service à la clientèle au 1-877-447-4768, Huit heures et demie-16h30, HNC, du lundi - vendredi.

PROBLÈME	CAUSE POSSIBLE	MESURE CORRECTIVE
Le brûleur ne s'allume pas à l'aide de l'allumeur (pas d'étincelle ou étincelle faible).	<ol style="list-style-type: none">1. L'électrode de l'allumeur est couverte de graisse ou de résidus.2. Un fil de l'électrode de l'allumeur est mal raccordé ou déconnecté.3. L'électrode d'allumage est fissurée ou fendue.4. La pile est à plat ou la connexion des piles est inadéquate.	<ol style="list-style-type: none">1. Nettoyez l'électrode de l'allumeur.2. Vérifiez les fils et reconnectez tout fil mal raccordé ou déconnecté.3. Remplacez l'électrode d'allumage (consultez la liste des pièces de rechange).4. Prenez l'une des mesures suivantes :<ol style="list-style-type: none">a. Remplacez la pile.b. Vérifiez si la pile est insérée correctement.c. Vérifiez si les bornes de la pile présentent des traces de corrosion.d. Vérifiez le branchement des fils comme indiqué ci-dessus.
La chaleur est faible.	<ol style="list-style-type: none">1. La pression du gaz vers l'appareil est insuffisante.	<ol style="list-style-type: none">1. Communiquez avec un service d'entretien autorisé pour qu'il vérifie la pression de l'alimentation en gaz et la corrige.
Il y a trop de montées de flammes intermittentes.	<ol style="list-style-type: none">1. De la graisse ou des résidus se sont accumulés sur les plaques chauffantes ou dans le foyer du barbecue.2. Du gras ou de la marinade a dégoutté de la nourriture en trop grande quantité.3. La température de cuisson est trop élevée.	<ol style="list-style-type: none">1. Nettoyez les pièces du barbecue.2. Retirez le gras de la viande et n'utilisez pas de marinades à base d'huile.3. Réduisez la température en conséquence.

DÉPANNAGE

PROBLÈME	CAUSE POSSIBLE	MESURE CORRECTIVE
Le brûleur ne s'allume pas à l'aide d'une allumette.	<ol style="list-style-type: none">1. L'allumette n'atteint pas les brûleurs (lorsque vous la tenez d'une main).2. L'alimentation en gaz est coupée.3. Il y a un mauvais branchement entre le raccord à manchon et l'embout du tuyau de gaz.4. L'entrée du brûleur est obstruée.	<ol style="list-style-type: none">1. Utilisez le support à allumettes situé dans la porte de l'armoire.2. Vérifiez si la vanne d'arrêt manuel du gaz est ouverte.3. Tournez les boutons de commande à la position OFF (fermé), fermez la vanne d'arrêt du gaz, puis vérifiez le branchement du raccord à manchon et de l'embout. Au besoin, déconnectez-les et reconnectez-les.4. Nettoyez le diffuseur (venturi) et le brûleur selon les instructions de la section Entretien du manuel.
Le gaz ne circule pas ou sa circulation est entravée.	<ol style="list-style-type: none">1. L'alimentation en gaz est coupée.2. Il y a un mauvais branchement entre le raccord à manchon et l'embout du tuyau de gaz.3. L'entrée du brûleur est obstruée.	<ol style="list-style-type: none">1. Vérifiez si la vanne d'arrêt manuel du gaz est ouverte.2. Tournez les boutons de commande à la position OFF (fermé), fermez la vanne d'arrêt du gaz, puis vérifiez le branchement du raccord à manchon et de l'embout. Au besoin, déconnectez-les et reconnectez-les.3. Nettoyez le diffuseur (venturi) et le brûleur selon les instructions de la section Entretien du manuel.

GARANTIE LIMITÉE

Garantie limitée de 1 an

La garantie de un an de ce barbecue au gaz GPL couvre les pièces endommagées ou brisées au moment de l'achat. Le barbecue est garanti contre tout défaut. La peinture est garantie contre tout défaut, à l'exception de la rouille qui peut apparaître après une utilisation répétée.

La garantie ne couvre pas les dommages ou les problèmes liés à une négligence, à un usage abusif ou aux modifications apportées à l'appareil. La garantie ne couvre pas les coûts de main-d'oeuvre.

Toutes les pièces couvertes par la garantie seront expédiées sans frais selon la méthode choisie par le fabricant (envoi terrestre par US Mail ou Parcel Post **UNIQUEMENT**). Tout montant additionnel (par exemple, la livraison le lendemain, le surlendemain, etc.) relève de la responsabilité du consommateur.

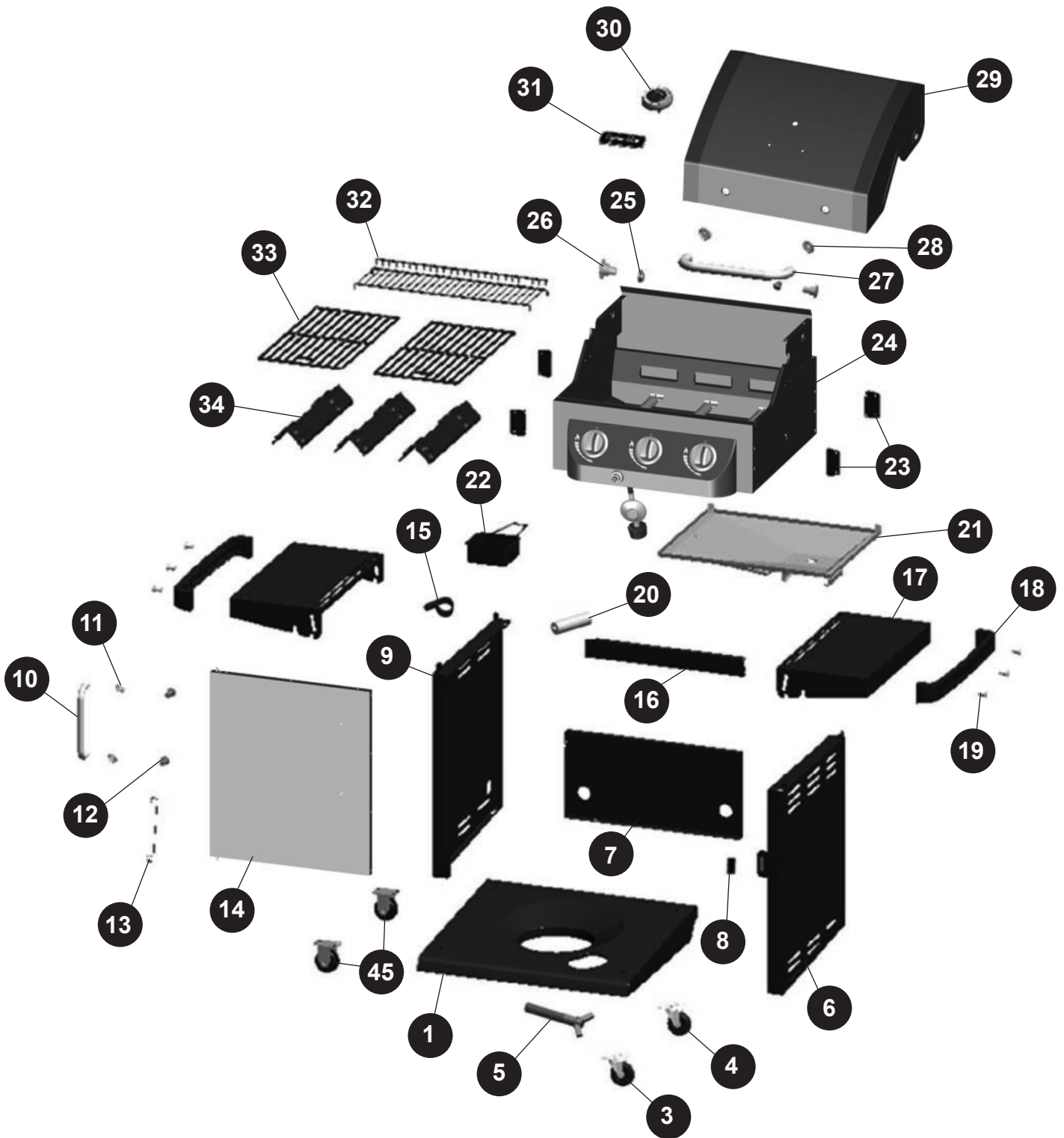
Toutes les réclamations au titre de la garantie ne peuvent être effectuées que par l'acheteur initial du produit et nécessitent une preuve d'achat qui indique la date d'achat. Ne retournez aucune pièce à l'adresse de GHP sans avoir obtenu un numéro d'autorisation de retour de notre service à la clientèle. Vous pouvez appeler sans frais notre service à la clientèle au 1-877-447-4768, huit heures et demie-16h30, HNC, du lundi - vendredi.

AVIS : Certains États ou certaines provinces ne permettent pas une limitation de la durée de la garantie implicite ou une exclusion ou une limitation des dommages accidentels ou consécutifs, de sorte que les limitations ou exclusions mentionnées ci-dessus peuvent ne pas s'appliquer à vous. Cette garantie vous confère des droits précis. Il est possible que vous disposiez également d'autres droits, qui varient d'un État ou d'une province à l'autre.

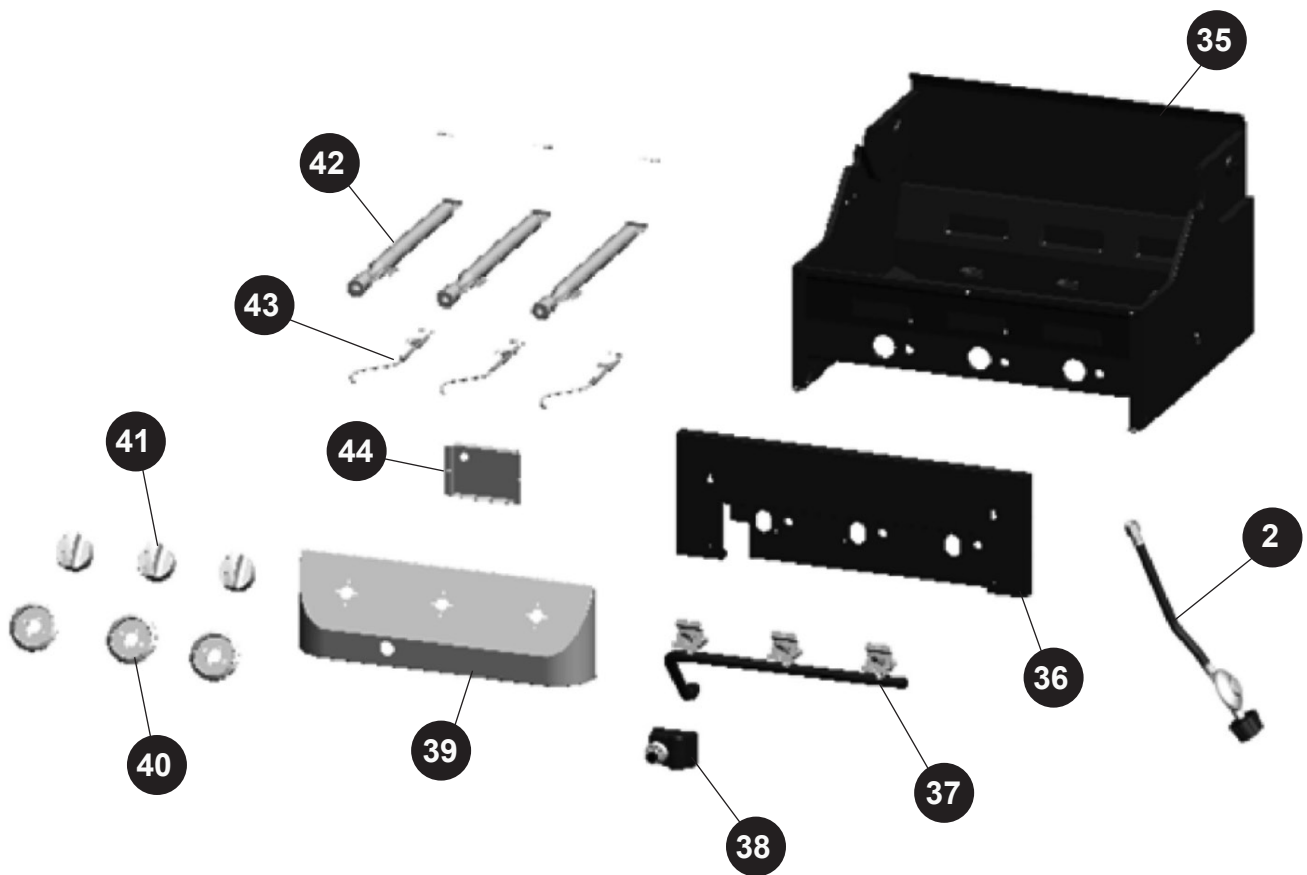
GHP Group, Inc.
6440 W. Howard St.
Niles, IL, USA
60714-3302

Nom de l'article : Gril à Gaz GPL à 3 Bruleurs
No de modèle : DGB390BNP/DGB390BNP-D
Capacité nominale : 36,000 BTU/Hr

LISTE DES PIÈCES DE RECHANGE



LISTE DES PIÈCES DE RECHANGE



LISTE DES PIÈCES DE RECHANGE

Pour les pièces détachées, appelez notre service à la clientèle au 1-877-447-4768, 8 heures 30-16h30, HNC, du lundi - vendredi.

RÉF	DESCRIPTION	NO DE PIÈCE
1	Panneau inférieur	104 - 04006
2	Tuyau de gaz LP et le montage du régulateur	104 - 13014
3	Non-verrouillage roulette pivotante - Comprend 4 vis / rondelles / rondelles	104 - 04017
4	Blocage roulette pivotante - Comprend 4 vis / rondelles / rondelles	104 - 04019
5	LP vis de rétention cylindre	104 - 04012
6	Panier côté panneau de droite	104 - 04010
7	Panneau arrière Panier	104 - 04008
8	Aimant de porte	104 - 14020
9	Panier côté panneau de gauche	104 - 04009
10	Poignée de porte avant panier	104 - 14021
11	Poignée de porte lunette	104 - 14022
12	Manchon de poignée de porte	104 - 14023
13	Correspondre titulaire	104 - 14024
14	Ensemble de porte Panier avant - sans poignée	70-01-403
15	Support de tuyau	104 - 04007
16	Panier porte avant traverse supérieure	104 - 04011
17	Table d'appoint	104 - 04001
18	Porte-serviette	104 - 14001
19	Outil crochet	104 - 14002
20	Piles AA (1,5 V)	104 - 05002
21	Plateau à graisse avec bouclier thermique	104 - 04013
22	Bac à graisse	104 - 04014
23	Table d'appoint soutien	104 - 04003
24	Assemblage Firebox - Comprend brûleurs / vanne gaz de pétrole liquéfié et ensemble collecteur / LP tuyau de gaz et régulateur / panneau de configuration / câble d'allumage	70-01-404
25	M6 écrou à taquets - Secure broches couvercle pivotant	70-09-001
26	Couvercle pivot	104 - 12002
27	Poignée du couvercle	104 - 12003
28	Lunette poignée du couvercle	104 - 12004
29	Couvercle du barbecue assemblage comprend pare-chocs couvercle	70-01-405
30	Jauge de température avec écrou	104 - 12005
31	Badge	104 - 22006
32	Grille de réchaud	104 - 13001
33	Grille de cuisson	104 - 13002
34	Tente chaleur	104 - 13003
35	Assemblage Firebox - comprend pare-chocs couvercle	104 - 13004
36	Panneau avant externe Firebox	104 - 13005
37	Robinet de gaz LP & manifold	104 - 13006
38	Allumage électronique	104 - 13007
39	Panneau de contrôle	70-01-406
40	Lunette bouton de commande	104 - 13009
41	Bouton de commande	104 - 13010
42	Brûleur principal avec goupille	104 - 13011
43	Electrode d'allumage et de fil d'allumage	104 - 13012

LISTE DES PIÈCES DE RECHANGE

RÉF	DESCRIPTION	NO DE PIÈCE
44	Bouclier thermique pour l'allumage électronique	104 - 13013
45	Roulette cours unique - comprend 4 vis / rondelles plates / rondelle à ressort	104 - 04018
n/a	Pack de matériel	104 - 05001
n/a	Manuel / Instruction du propriétaire	70 - 10 - 567

Dyna-Glo®

ASADOR A GAS PL DE 3 QUEMADORES

Modelo #DGB390BNP
#DGB390BNP-D



C US

ANS Z21.58b- 2012
CSA 1.6b- 2012
Cocina en exteriores
Electrodoméstico a gas

ADJUNTE SU RECIBO AQUÍ

Número de serie _____ Fecha de compra _____



¿Preguntas, problemas, piezas faltantes? Antes de volver a la tienda, llame a nuestro Departamento de Servicio al Cliente al 1-877-447-4768, de 8:30 am - 4:30 pm, hora central, de lunes - viernes o envíe un correo electrónico a customerservice@ghpgroupinc.com.

INDICE

Informacion de seguridad	59
Contenido del paquete	61
Aditamentos	62
Preparacion	62
Instrucciones de ensamblaje	63
Instrucciones de funcionamiento	70
Cuidado y mantenimiento	74
Solucion de problemas	78
Garantia	80
Lista de piezas de repuesto	81

Ensamblador/Instalador: Este manual contiene información importante necesaria para el ensamblaje correcto y el uso seguro del electrodoméstico. Lea y siga todas las advertencias e instrucciones antes de ensamblar y utilizar este electrodoméstico. **Entregue estas instrucciones al consumidor.**

Consumidor/Usuario: Siga todas las advertencias e instrucciones al utilizar este electrodoméstico. **Guarde estas instrucciones para referencia futura.**



PELIGRO:

Si percibe olor a gas:

- 1. Cierre el suministro de gas hacia el electrodoméstico.**
- 3. Abra la tapa.**
- 4. Si el olor persiste, manténgase alejado del electrodoméstico y llame de inmediato al departamento de bomberos.**



ADVERTENCIA:

1. No almacene ni utilice gasolina u otros líquidos o vapores inflamables cerca de éste u otro electrodoméstico.
2. Un cilindro de gas propano que no esté conectado y en uso no debe almacenarse cerca de éste ni de ningún otro aparato.
3. Esta parrilla es sólo para uso en exteriores y no se debe usar en edificios, garajes, bajo salientes u otras áreas cerradas.
4. No deje la parrilla encendida sin supervisión. Mantenga a los niños y las mascotas alejados de la parrilla en todo momento.

INFORMACION DE SEGURIDAD

Lea y comprenda completamente este manual antes de intentar ensamblar, usar o instalar el producto. Si tiene preguntas relacionadas con el producto, llame al Servicio al Cliente al: 1-877-447-4768, de 8:30 am - 4:30 pm, hora central, de lunes - viernes.

PELIGRO

- No utilice la unidad en un entorno explosivo. No debe haber materiales combustibles, gasolina ni otros vapores o líquidos inflamables cerca de la parrilla.

PROPUESTA 65 DE CALIFORNIA

Los combustibles que se usan en electrodomesticos de combustion a gas o petroleo y los productos de la incineracion de dichos combustibles contienen sustancias quimicas reconocidas por el estado de California como causantes de cancer, defectos congenitos u otros danos en el aparato reproductivo. Este producto contiene sustancias quimicas, incluido plomo y compuestos de plomo, reconocidas por el estado de California como causantes de cancer, defectos congenitos u otros danos en el aparato reproductivo. ***Lavese las manos despues de manipularlo.***

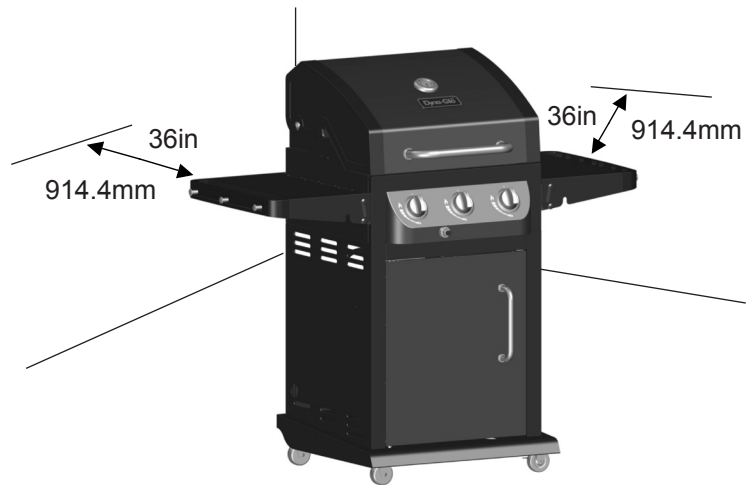
PRECAUCIÓN

- No utilice carbón o líquido para encendedor en la parrilla.
- No use gasolina, queroseno o alcohol para encender la parrilla.
- El cilindro de suministro de gas PL que se utilice con este electrodoméstico debe estar:
 - (a) Fabricado y marcado según las Specifications for LP-Gas Cylinders of the U.S. Department of Transportation (D.O.T.) or the National Standard of Canada, CAN/CSA-B339, Cylinders, Spheres and Tubes for Transportation of Dangerous Goods; and Commission, según corresponda, y
 - (b) Equipado con un dispositivo de prevención de sobrellenado homologado.
 - (c) Equipado con un dispositivo de conexión para el cilindro compatible con el conector para electrodomésticos para cocinar en exteriores. Esta parrilla no está diseñada para usarse o instalarse en vehículos recreativos y/o botes.
- Nunca guarde un contenedor lleno en un auto a altas temperaturas o en el portaequipajes del auto. El calor hace aumentar la presión del gas, lo que puede abrir la válvula de alivio y permitir que escape el gas.
- Siempre abra la tapa de la parrilla lentamente y con cuidado, ya que el calor y el vapor atrapados dentro de la parrilla pueden causarle quemaduras graves.

! ADVERTENCIA

• No coloque la parrilla debajo de construcciones o cobertizos inflamables. Debe haber un espacio de separación mínimo de 91,44 cm (36") desde los lados y la parte posterior de la unidad hasta construcciones de material combustible.

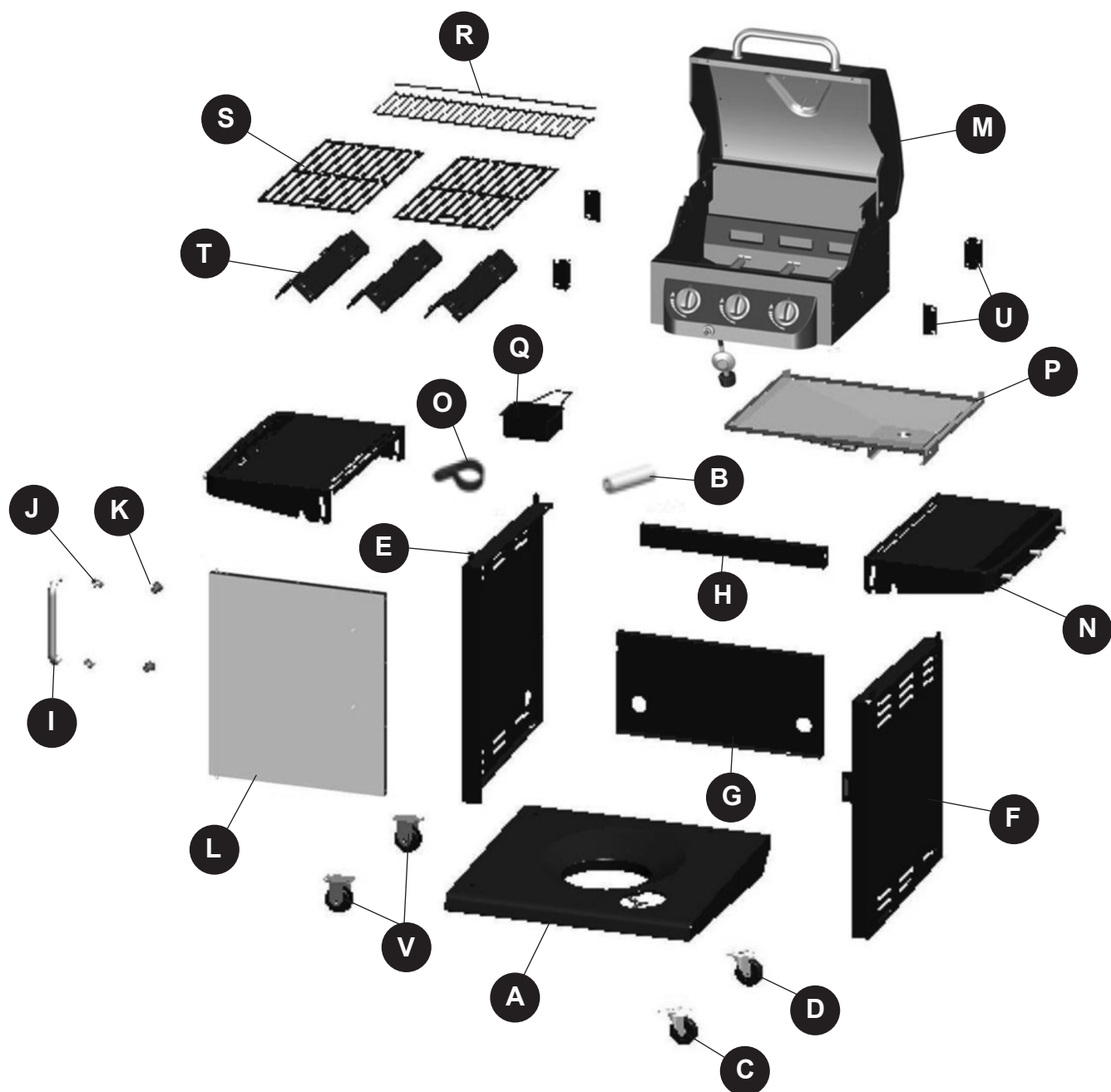
NOTA: La instalación debe cumplir con los códigos locales o, en su defecto, con el National Fuel Gas Code, ANSI Z223.1/ NFPA 54, Natural Gas and Propane Installation Code, CSA B149.1, o Propane Storage and Handling Code, B149.2.



! PRECAUCIÓN

- NO almacene ni utilice gasolina ni otros vapores o líquidos inflamables dentro de 8 metros (25 pies) de distancia de éste ni de ningún otro electrodoméstico.
- Cualquier tanque de gas propano líquido que no esté conectado y en uso debe almacenarse a una distancia mínima de 3 metros de éste o cualquier otro electrodoméstico.
- Esta parrilla debe utilizarse sólo con gas propano (no se incluye el cilindro de gas propano).
- No intente conectar esta parrilla al sistema de gas propano autocontenido de un bote, remolque para camping, casa rodante o casa.
- No intente mover la parrilla mientras está encendida o caliente. Las ruedas deben estar con seguro cuando la parrilla no se esté moviendo.
- No use la parrilla a menos que esté completamente ensamblada y todas las piezas estén ajustadas y apretadas con firmeza.
- Mantenga todos los artículos y las superficies combustibles a una distancia mínima de 91,44 cm (36") de la parrilla en todo momento.
- No toque las piezas metálicas de la parrilla hasta que se hayan enfriado completamente (espere unos 45 minutos) para evitar quemaduras, a menos que utilice artículos de protección (almohadillas, guantes, manoplas para horno, etc..).
- No altere la parrilla de ninguna manera.
- Limpie e inspeccione la manguera antes de cada uso. Si hay evidencia de abrasión, desgaste, cortes o fugas, se debe reemplazar la manguera antes de operar el electrodoméstico. La manguera de reemplazo debe ser la especificada por el fabricante, que se menciona en la lista de piezas de repuesto de este manual.
- Coloque las mangueras de gas lo más lejos posible de superficies calientes y de donde pueda caer grasa caliente.
- Mantenga limpios el compartimiento de la válvula, los quemadores y los pasajes de circulación de aire de la parrilla. Inspeccione la parrilla antes de cada uso. No obstruya el flujo de gas o del aire de ventilación.
- El consumo de alcohol, medicamentos recetados o medicamentos sin receta puede disminuir la capacidad del usuario para armar o utilizar la parrilla de manera segura.
- No deje la parrilla encendida sin supervisión. Mantenga a los niños y las mascotas alejados de la parrilla en todo momento.
- No coloque la parrilla sobre ningún tipo superficie de mesa. La parrilla se debe colocar sobre una superficie plana y nivelada.
- No use la parrilla si hay viento fuerte.


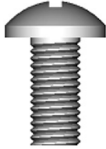





CONTENIDO DEL PAQUETE



PIEZA	DESCRIPCIÓN	CANT.
A	Bandeja Inferior	1
B	Pila AA (1,5 V)	1
C	Rueda Giratoria	1
D	Rueda Giratoria con Bloqueo	1
E	Panel del Lado Izquierdo del Carrito	1
F	Panel del Lado Derecho del Carrito	1
G	Panel Trasero del Carrito	1
H	Abrazadera de la Puerta Frontal Superior	1
I	Manija de la Puerta	1
J	Bisel de la Manija de la Puerta	2
K	Protector de la Manija de la Puerta	2

PIEZA	DESCRIPCIÓN	CANT.
L	Ensamble de la Puerta	1
M	Cuerpo del Asador	1
N	Mesa Auxiliar	2
O	Soporte de la Manguera	1
P	Bandeja de la Grasa	1
Q	Taza de la Grasa	1
R	Rejilla para Calentar	1
S	Parrilla de Cocción	2
T	Cubierta del Calor	3
U	Soporte de la Mesa Auxiliar	4
V	Rueda Dirección Individual	2

ADITAMENTOS (se muestran en tamaño real)

AA	AA	BB	CC	DD	EE	FF
						
Tornillo M6x12	Tornillo M6x12	Arandela lisa	Arandela de Resorte M6	Tornillo M4x12 Screw	M4 Tuerca	M6 Tornillo para el Soporte Horizontal
Qty. 40	Qty. 2	Qty. 20	Qty. 16	Qty. 1	Qty. 1	Qty. 8

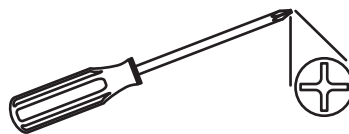
NOTA:
Aditamento
(AA)
preensamblado
en la manija
de la puerta

PREPARACION

Antes de comenzar a ensamblar el producto, asegúrese de tener todas las piezas. Compare las piezas con la lista del contenido del paquete de la página anterior y los aditamentos que aparecen arriba. No intente ensamblar el producto si falta alguna pieza o si estas están dañadas. Póngase en contacto con el Departamento de Servicio al Cliente para obtener piezas de repuesto.

Tiempo estimado de ensamblaje: 50 minutos con 2 personas.

Herramientas necesarias para el ensamblaje y la prueba de fugas (no se incluyen):
Destornillador Phillips, botella con atomizador



⚠ PRECAUCION




ESTA UNIDAD ES PESADA. SE NECESITAN DOS PERSONAS PARA UN ENSAMBLAJE SEGURO.

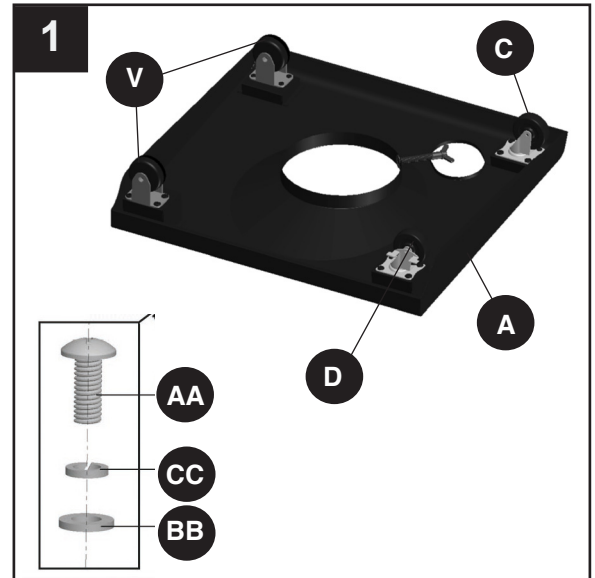
Se requieren dos personas para un ensamblaje segura. Algunas partes pueden presentar bordes filosos. Utilice guantes de protección si es necesario. Lea y siga todas las indicaciones de seguridad, advertencias, instrucciones de ensamblaje, uso y cuidado antes de ensamblar y usar.

INSTRUCCIONES DE ENSAMBLAJE

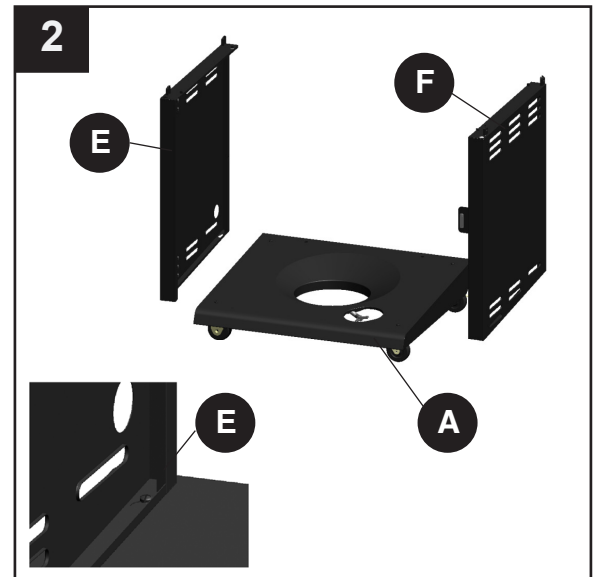
1. Monte las ruedas, 2 ruedas dirección individual (V), de ellas sin bloqueo ruedas giratorias (C), 2 ruedas giratorias de bloqueo (D), sobre la repisa inferior (A) con 4 tornillos M6 (AA), arandela (BB) y la arandela de resorte (CC) para cada lanzador .

Aditamentos utilizados

AA	M6x12 Tornillo		x 16
BB	Arandela Lisa		x 16
CC	Arandela de Resorte		x 16



2. Inserte 4 tornillos (AA) dentro de los huecos en la bandeja inferior (A), dejando una separación de 4-6mm desde la cabeza del tornillo a la bandeja inferior (A). Acople el panel lateral izquierdo del carrito (E) colocando los huecos de ajuste sobre las cabezas de los tornillos (AA) en el lado izquierdo de la bandeja inferior (A); deslice el panel lateral izquierdo del carrito (E) de tal forma que la cabeza del tornillo esté sobre la parte más pequeña del hueco de ajuste. Gire el tornillo (AA) hasta ajustar pero no lo apriete completamente en este paso. Repita el procedimiento con el panel lateral derecho del carrito (F).

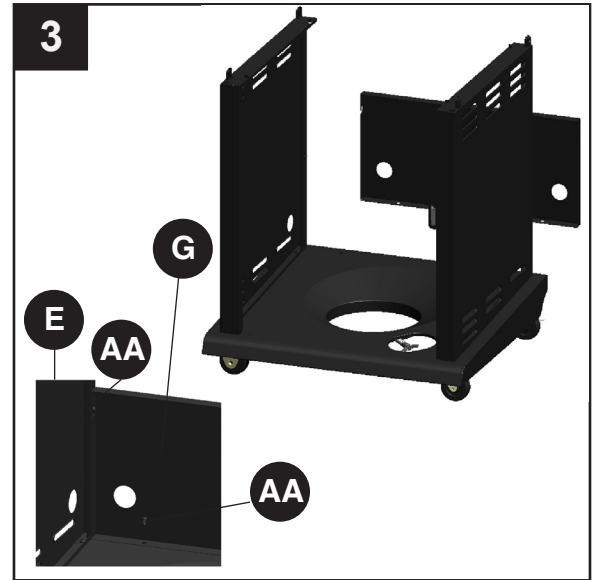


Aditamentos utilizados

AA	M6x12 Tornillo		x 4
-----------	----------------	---	-----

INSTRUCCIONES DE ENSAMBLAJE

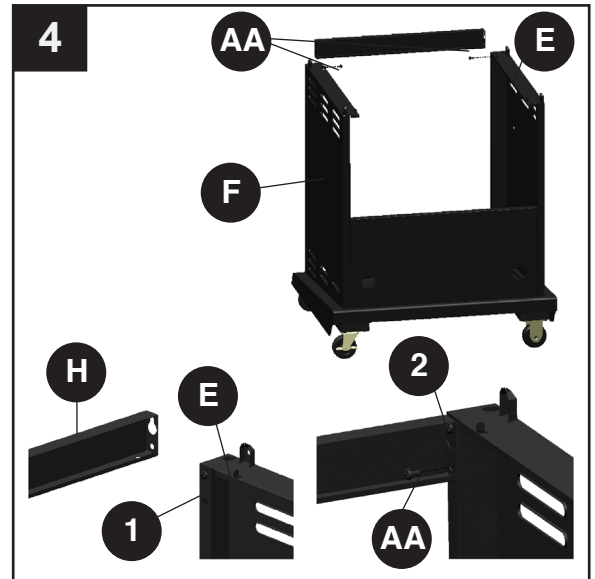
3. Inserte un tornillo (AA) dentro de cada uno de los huecos traseros de los paneles laterales izquierdo y derecho del carrito (E & F), dejando 4-6mm de separación desde la cabeza del tornillo a los paneles laterales (E & F). Acople el panel trasero del carrito (G) mediante el deslizamiento de los huecos de ajuste, en el panel trasero del carrito, sobre los tornillos insertados; luego, empuje con fuerza. Asegure el panel trasero del carrito (G) a la bandeja inferior (A) mediante 2 tornillos (AA). Apriete los 2 tornillos de los paneles laterales (E & F).



Aditamentos utilizados



4. Inserte 2 tornillos (AA) dentro de los huecos frontales superiores (etiquetados como 1) en los paneles laterales izquierdo y derecho (E & F), dejando 4-6mm de separación desde la cabeza del tornillo a los paneles laterales izquierdo y derecho (E & F). Acople la abrazadera de la puerta frontal superior (H) con el hueco mayor en la abrazadera de la puerta frontal superior (H); deslice la abrazadera de la puerta frontal superior (H) de tal forma que la cabeza del tornillo esté sobre el hueco más pequeño. Asegure los tornillos pero no los apriete completamente. Asegure otros 2 tornillos dentro de los huecos (etiquetados como 2).



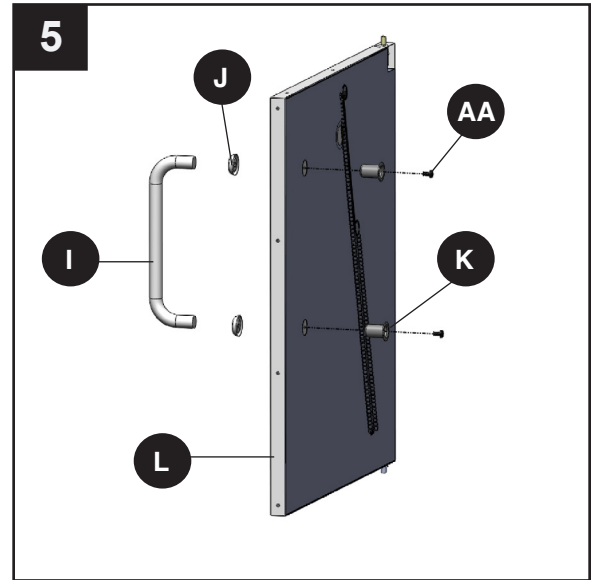
Aditamentos utilizados



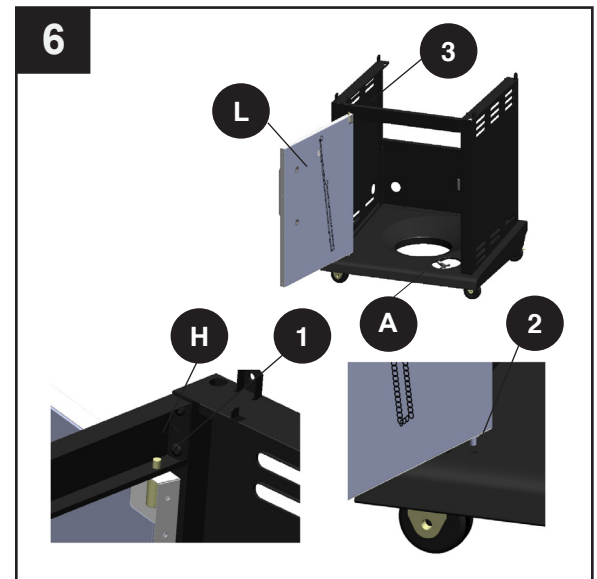
INSTRUCCIONES DE ENSAMBLAJE

5. Retire los 2 tornillos pre-atornillados (AA) y los protectores de la manija de la puerta (K), y de la manija de la puerta (I). Inserte los 2 protectores para la puerta (K) dentro de los huecos de la parte posterior del ensamblaje de puerta (L); inserte 2 tornillos (AA) dentro los protectores de la manija de la puerta (K), a través de los biselados de la manija de la puerta (J) y dentro de los huecos roscados en la manija de la puerta (I). Apriete utilizando un destornillador de estrella.

Aditamentos utilizados

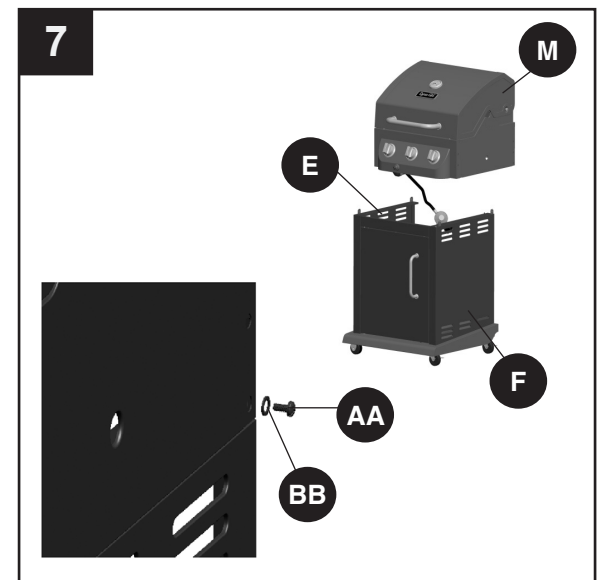


6. Inserte el pasador de la bisagra inferior (etiquetado como 2) del ensamblaje de la puerta (L) dentro del hueco en la bandeja inferior. Presione con la mano el pasador de la bisagra (etiquetado como 3) sobre la parte superior del ensamblaje de la puerta e introdúzcalo dentro del hueco (etiquetado como 1) de la abrazadera frontal superior (H).



7. Coloque cuidadosamente el cuerpo del asador (M) sobre los paneles laterales derecho e izquierdo del carrito (E & F). Ajuste el cuerpo del asador (M) de tal forma que los huecos en el cuerpo del asador (M) estén alineados con los huecos en las pestañas de los paneles laterales del carrito (E & F).
NOTA: Asegúrese de que la manguera de gas esté dentro del carrito. Apriete el cuerpo del asador (M) utilizando 2 tornillos (AA) y una arandela plana (BB) en cada lado.

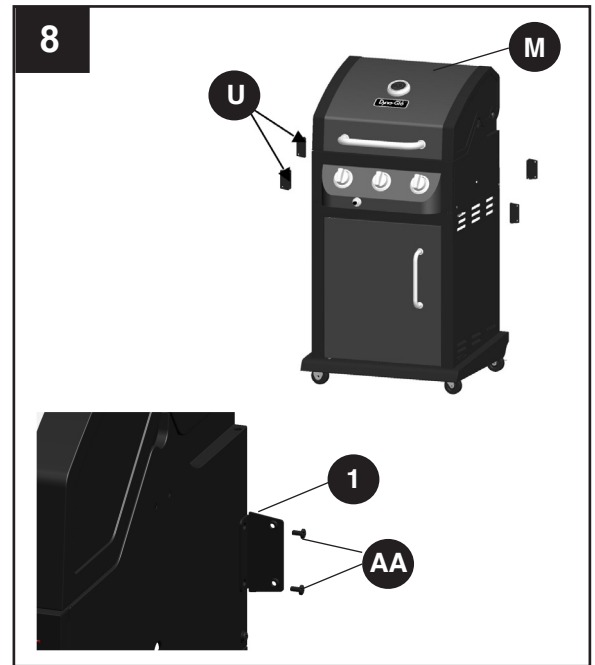
Aditamentos utilizados



INSTRUCCIONES DE ENSAMBLAJE

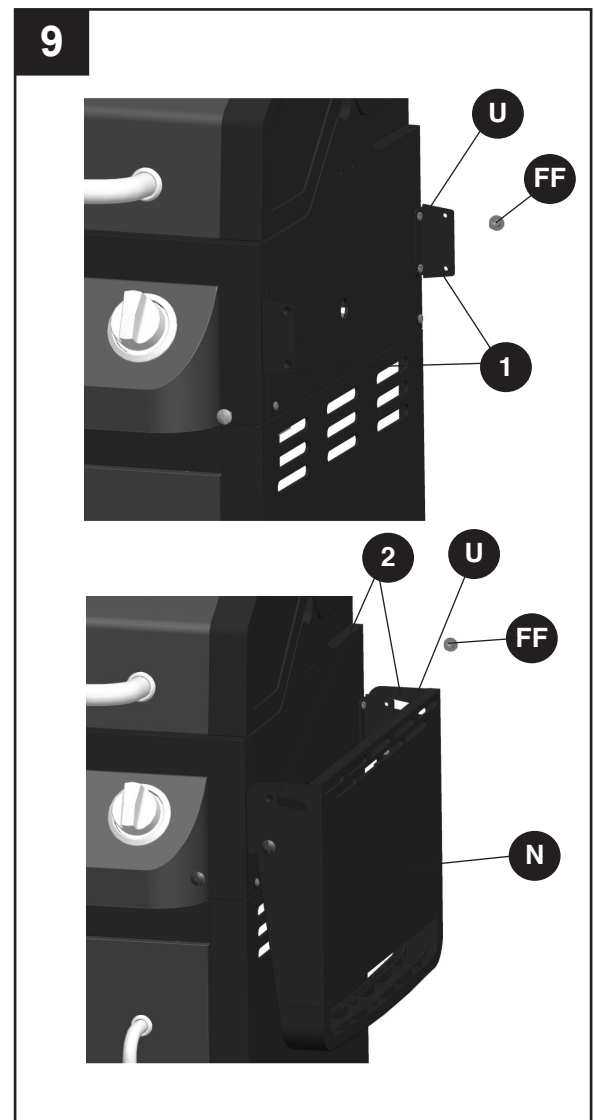
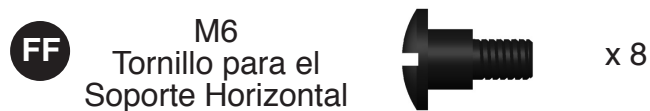
8. Instale los soportes de la mesa auxiliar (U) con 2 tornillos M6x12mm (AA) dentro de los huecos (etiquetados como 1) en el costado del cuerpo del asador (M) y apriete los tornillos. Repita el procedimiento con los soportes de la otra mesa auxiliar (U).

Aditamentos utilizados



9. Asegure 2 tornillos para el soporte horizontal (FF) dentro de los huecos (etiquetados como 1) de los soportes de la mesa auxiliar (U). Asegure la mesa auxiliar (N) sobre el soporte de la mesa auxiliar (U) apretando 2 tornillos para el soporte horizontal (FF) dentro de los huecos (etiquetados como 2). Repita este paso con la otra mesa auxiliar.

Aditamentos utilizados




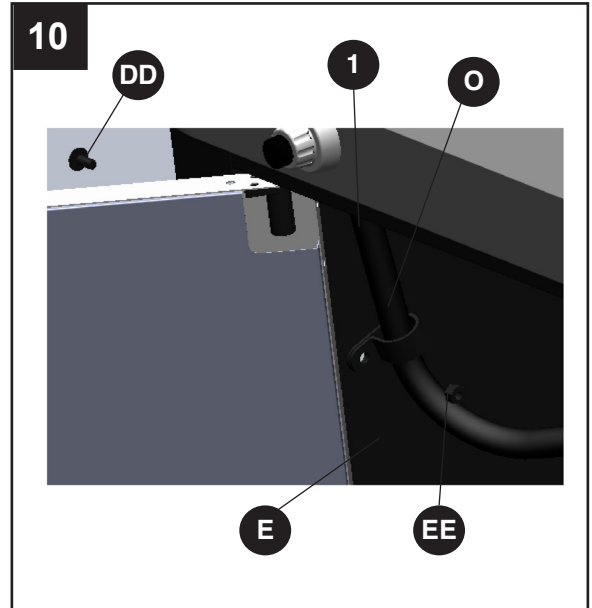
INSTRUCCIONES DE ENSAMBLAJE

10. Asegure la manguera de gas y el ensamble del soporte de la manguera (O) sobre el ensamble izquierdo del carrito (E), apretando 1 tornillo M4*12 (DD) y 1 tuerca M4 (EE) dentro del hueco (etiquetado como 1) y dentro de la mesa auxiliar izquierda del carrito.
NOTA: El soporte del gas (O) debe rodear completamente la manguera de gas antes de asegurarlo sobre el panel izquierdo del carrito (E) como se ilustra más abajo.

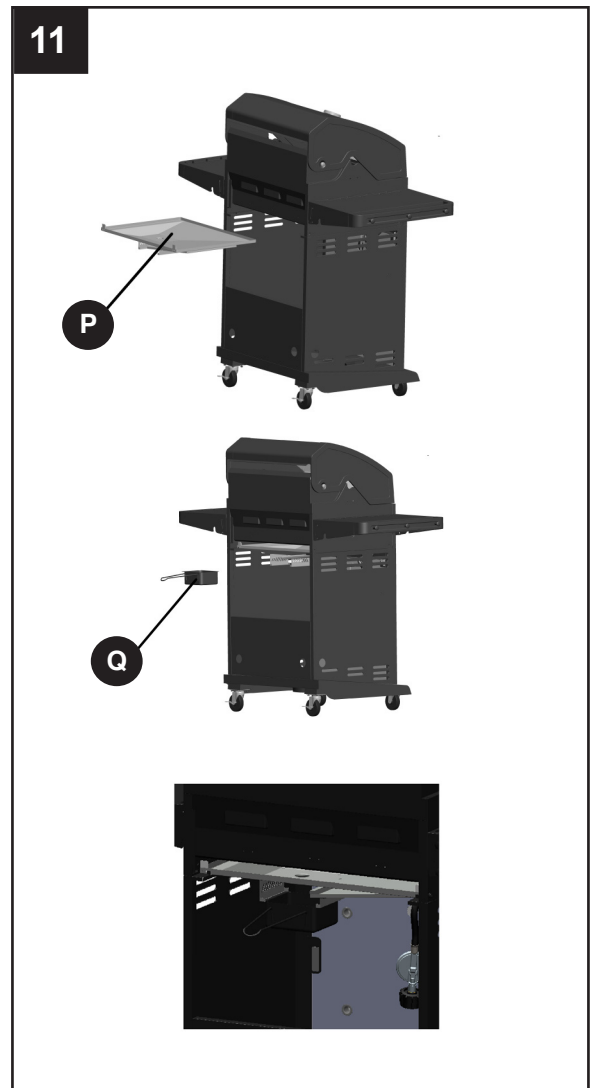
Aditamentos utilizados

DD M4x12 Tornillo  x 1

EE M4 Tuerca  x 1

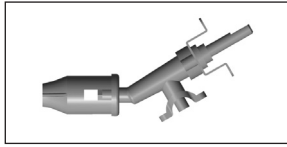


11. Inserte la bandeja de grasa (P) en posición, deslizándola en el cuerpo del asador por la parte de atrás, a lo largo de los rieles ubicados justo debajo del lado inferior del cuerpo del asador.
NOTA: La bandeja de grasa DEBE estar en posición tal como se ilustra más abajo (los rieles de soporte de la taza de grasa quedando a la izquierda, cuando miramos de frente la parte posterior del asador).
Inserte la taza de grasa (Q) en posición, deslizándola sobre los rieles de soporte en el lado inferior de la bandeja de grasa.

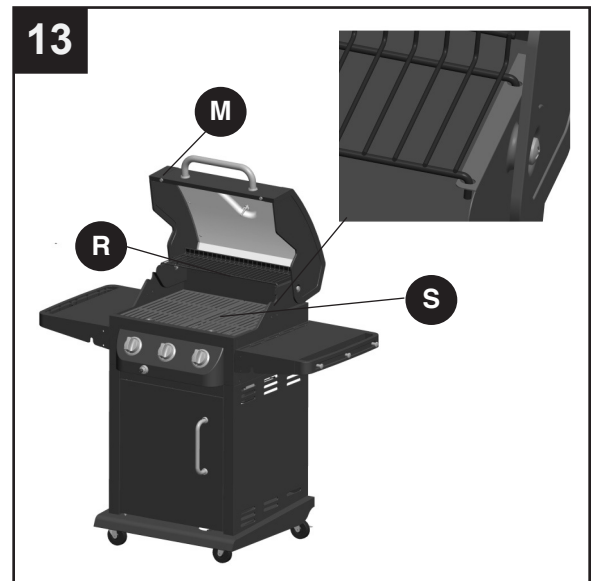
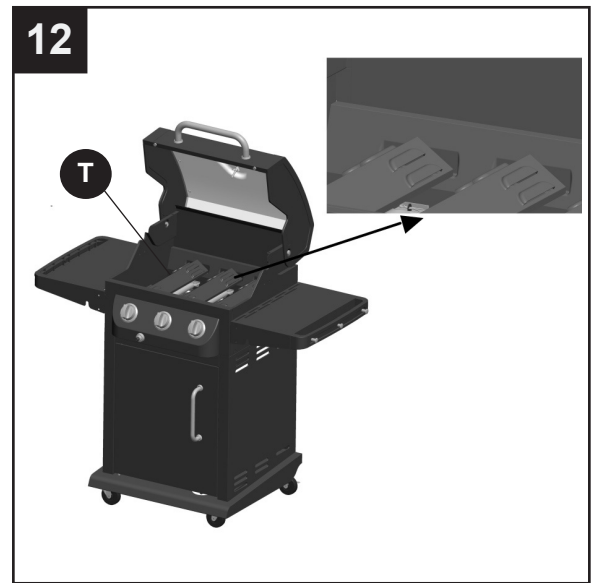


INSTRUCCIONES DE ENSAMBLAJE

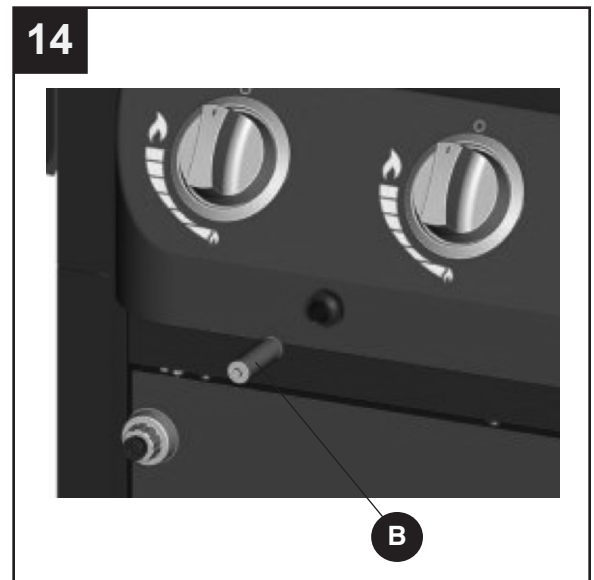
! ADVERTENCIA: ES MUY IMPORTANTE VERIFICAR Y ASEGURARSE DE QUE TODOS LOS QUEMADORES ESTEN COMPLETAMENTE ACOPLADOS CON EL ORIFICIO DE LA VALVULA ADYACENTE ANTES DE FINALIZAR EL PASO 12. NO HACERLO PODRIA PROVOCAR UN INCENDIO O UNA EXPLOSION, LO QUE POSIBLEMENTE CAUSARIA LESIONES GRAVES O LA MUERTE. CONSULTE LAS INSTRUCCIONES DE LA SECCION DE MANTENIMIENTO PARA VERIFICAR CORRECTAMENTE EL ACOPLAMIENTO.



12. Coloque las cubiertas de calor (T) dentro de la cámara de combustión como se ilustra.
13. Coloque las parrillas de cocción (S) dentro del cuerpo del asador (M) como se ilustra en la figura. Asegure la rejilla para calentar (R) dentro del cuerpo del asador (M).
NOTA: Inserte la rejilla para calentar (R) dentro de los cuatro huecos ubicados en ambos lados del cuerpo del asador.



14. Desatornille la tapa del encendedor e introduzca la pila AA (B) dentro del cuerpo del encendedor con el polo positivo + hacia afuera. Vuelva a colocar la tapa del encendedor.



INSTRUCCIONES DE ENSAMBLAJE

15. Abra el ensamblaje de puerta (L) e introduzca el cilindro de gas propano líquido (vendido separadamente) dentro del hueco de anidamiento ubicado en la bandeja inferior (A). Acomode el cilindro de gas hasta que esté colocado correctamente (permitiendo que la manguera de gas se conecte a la válvula del cilindro de gas). Apriete a mano el conjunto manguera/regularador a la válvula roscada del cilindro de gas propano líquido.

Apriete el tornillo del tanque hasta que el cilindro esté asegurado en su lugar dentro del hueco de anidamiento del carrito.

Completamente Montado

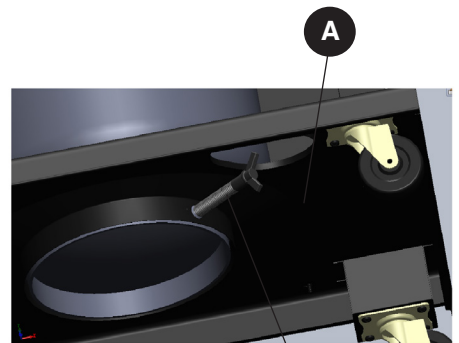


Vista Frontal



Vista Trasera

15



Tanque Tornillo

INSTRUCCIONES DE FUNCIONAMIENTO

BÚSQUEDA DE FUGAS

Después de hacer todas las conexiones, verifique que ninguna de las conexiones y los conectores de la válvula del tanque de gas PL, la manguera de gas ni el regulador tenga fugas con una solución de agua y jabón.

Para evitar incendios o explosiones al revisar una fuga:

- Siempre realice la prueba de fuga antes de encender la parrilla.
- No fume durante la prueba de fuga.
- Siempre realice las pruebas de fugas en exteriores, en un área bien ventilada.
- No utilice ninguna fuente de llamas la realizar la prueba de fugas.
- No use la parrilla hasta que haya corregido todas las fugas.
- Si no puede corregir una fuga, desconecte el suministro de propano y llame a un proveedor de servicios de electrodomésticos a gas.

REALIZACIÓN DE UNA PRUEBA DE FUGAS

- Prepare una solución de prueba de fugas mezclando 1 parte de detergente líquido para platos y 3 partes de agua. La solución total necesaria es de aproximadamente 59,15 a 88,72 ml (2 a 3 oz). Coloque la solución para pruebas de fuga en una botella con atomizador.
- Asegúrese de que todas las perillas de control estén en la posición O APAGADO.
- Abra la válvula del tanque de gas PL.
- Rocíe la solución para pruebas de fugas en todas las conexiones y los conectores por donde circule gas. La presencia de burbujas donde se aplicó la solución para pruebas indica una fuga de gas. Si detecta fugas o huele u oye gas, cierre el tanque de gas PL inmediatamente y repare o reemplace la pieza defectuosa. No use la parrilla hasta que haya corregido todas las fugas.

⚠ PRECAUCIÓN

Use solamente el ensamble del regulador y la manguera incluido. Si necesita un repuesto, llame a nuestro centro de servicio al cliente. No use piezas de repuesto que no están diseñadas para esta parrilla.

⚠ ADVERTENCIA

TODAS LAS INSTRUCCIONES Y PRECAUCIONES EN ESTA PÁGINA DEBE SEGUIR PARA EVITAR UN INCENDIO, DAÑOS Y / O LESIONES.

INSTRUCCIONES DE FUNCIONAMIENTO

CONEXIÓN DEL CILINDRO DE GAS

El cilindro de suministro de gas propano que se utilizará debe estar fabricado y marcado según las Specifications for LP-Gas Cylinders of the U.S. Department of Transportation (D.O.T.) or the National Standard of Canada, CAN/CSA-B339, Cylinders, Spheres and Tubes for Transportation of Dangerous Goods; and Commission, según corresponda; y debe incluir un dispositivo de prevención de sobrellenado homologado.

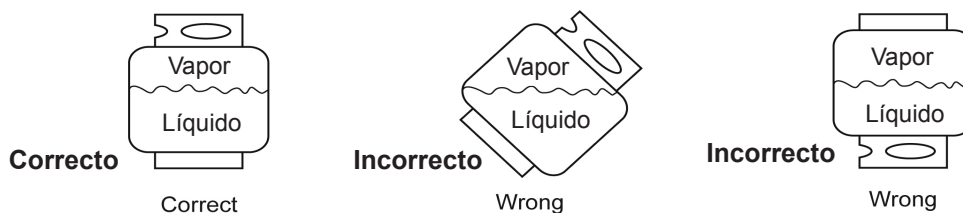
Sólo use cilindros de 9 kg (altura 46 cm, diámetro del tanque 24,99 cm, diámetro de la base: 20,40 cm) equipado con un dispositivo de conexión para el cilindro compatible con la conexión para electrodomésticos para cocinar en exteriores. El cilindro debe incluir un anillo para proteger su válvula. No debe dejar caer el cilindro de gas ni manipularlo bruscamente.

Si no utiliza el electrodoméstico, debe desconectar el cilindro de gas. Puede almacenar la unidad en el interior SÓLO si desconecta y retira el cilindro del electrodoméstico. Los cilindros se deben almacenar en el exterior, fuera del alcance de los niños, y no deben almacenarse en un edificio, garaje o cualquier otra área cerrada. El cilindro nunca se debe almacenar en lugares en que las temperaturas puedan superar los 51,6 °C.

Coloque la tapa en la salida de la válvula del cilindro cuando no esté en uso. Sólo instale el tipo de tapa que se proporciona con la válvula del cilindro en la salida de la válvula del cilindro. Otros tipos de tapas o tapones pueden causar una fuga de propano.

Antes de la conexión, asegúrese de que no haya suciedad en la salida del cilindro de gas, la salida de la válvula del regulador o en la salida y los orificios de los quemadores. Conecte la válvula del regulador y apriete firmemente con la mano. Mantenga la válvula del cilindro de propano cerrada y desconecte el cilindro de propano de la válvula del regulador cuando no use la parrilla.

NO obstruya el flujo del aire de combustión y del aire de ventilación a la parrilla. El cilindro de propano debe estar arreglado para extracción de vapor y equipado con un dispositivo de prevención de sobrellenado homologado. Coloque el cilindro en la orientación correcta para realizar la extracción de vapor. NOTA: El cilindro debe estar completamente vertical para que el cilindro sólo tenga extracción de vapor.



⚠ PRECAUCIÓN

- No almacene un cilindro de gas PL de reserva debajo o cerca de este electrodoméstico.
- Nunca llene el cilindro a más del 80% de su capacidad.
- Si no sigue con precisión la información en (a) y (b), puede provocar un incendio que produzca lesiones graves o la muerte.

INSTRUCCIONES DE FUNCIONAMIENTO

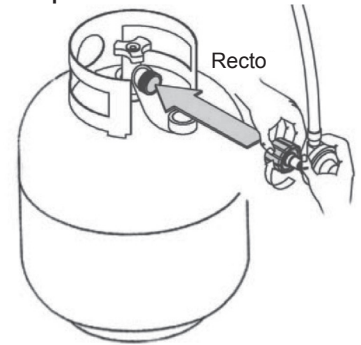
NOTA: Es posible que otros cilindros sean aceptables para su uso con este electrodoméstico si es que son compatibles con el orificio de alojamiento y los medios de retención del electrodoméstico. Consulte el Paso 15 de las Instrucciones de ensamblaje para conocer la conexión correcta del cilindro al soporte del cilindro.

⚠ ADVERTENCIA

SE DEBEN SEGUIR TODAS LAS INSTRUCCIONES Y MEDIDAS DE SEGURIDAD DE ESTA PÁGINA PARA EVITAR INCENDIOS, DAÑOS Y/O LESIONES.

CONEXIÓN DEL TANQUE DE GAS PROPANO

1. La perilla del tanque de gas propano debe estar cerrada. Asegúrese de girar la perilla en sentido de las manecillas del reloj ↻ hasta que se detenga por completo. Se debe adaptar el sistema de suministro del cilindro para la extracción de vapores.
2. Verifique que la perilla de control en la unidad de control esté apagada.
3. Retire la tapa protectora de la válvula del tanque de gas propano y la tuerca del conector.
4. Sostenga el regulador con una mano e inserte la boquilla en la salida de la válvula. Asegúrese de que la boquilla esté centrada en la salida de la válvula. La tuerca del conector se conecta a las roscas externas grandes en la salida de la válvula. Tenga cuidado, no dañe las roscas de la conexión
5. Apriete a mano la tuerca del conector en sentido de las manecillas del reloj ↻ hasta que se detenga por completo. Apriete bien, a mano solamente. No use herramientas.



Para desconectar: Cierre completamente la válvula del tanque girándola de las manecillas del reloj ↻. Gire la tuerca de acoplamiento contraria a las manecillas del reloj ↻ hasta que el regulador se separa de montaje.

⚠ ADVERTENCIA

En el proceso de conexión, asegúrese de que:

- El conector de entrada del regulador coincida con la salida de la válvula del cilindro de manera correcta, segura y firme, y;
- La manguera de gas propano no entre en contacto ni permanezca en contacto con la cámara de combustión.

INSTRUCCIONES DE FUNCIONAMIENTO

Encendido de la Parrilla

Antes del primer uso:



Retire todo elemento colgante o correas de plástico, si las hay. Antes de cocinar en la nueva parrilla a gas, es importante limpiar la parrilla con calor. Para hacerlo, haga funcionar la parrilla durante aproximadamente 15 minutos con la tapa cerrada y la perilla de control en la posición más alta. Esto limpiará las piezas internas quemando cualquier residuo y disipará el olor del proceso de fabricación.

⚠ PRECAUCIÓN

Si la llama se apaga de manera accidental durante el encendido o el funcionamiento, CIERRE la válvula del cilindro y la perilla de control de inmediato.

⚠ ADVERTENCIA

No se incline sobre la parrilla al encenderla. Lea las instrucciones antes de encender la parrilla.

1. Verifique que las perillas de control estén en la posición **O Apague**.
2. Abra completamente la válvula del tanque girándola en dirección  contraria a las manecillas del reloj.
3. Abra la tapa durante el encendido.
4. Presione el encendedor 3 a 4 segundos mientras gira la perilla de control lateral derecha a la posición  **ALTA**. El quemador debe encenderse.
Si el quemador no enciende en 5 segundos, gire de inmediato la perilla de control a la posición **O Apague**. Espere 5 minutos y repita el paso 4 que aparece anteriormente o consulte las instrucciones de encendido con fósforo que aparecen a continuación.
5. Repita el procedimiento para los otros quemadores.

Si el quemador continúa sin encenderse, verifique que el cilindro tiene gas y siga las instrucciones de encendido con fósforos.

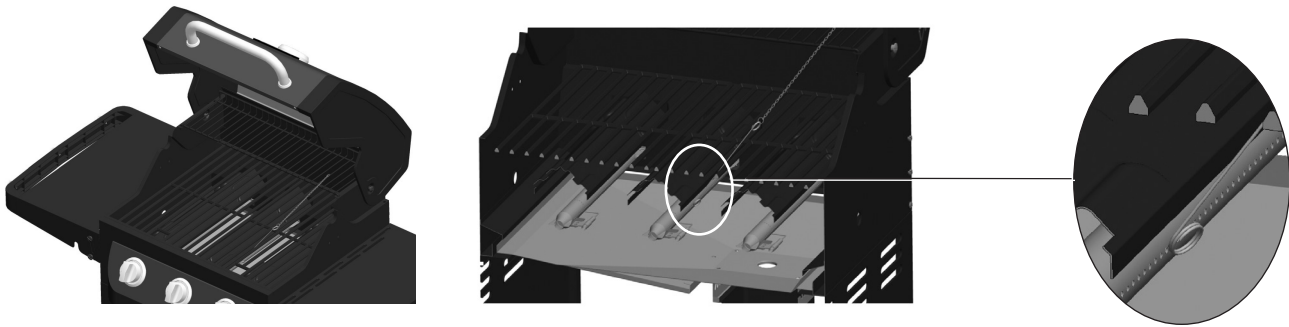
INSTRUCCIONES DE FUNCIONAMIENTO

ENCENDIDO DE LA PARRILLA CON UN FÓSFORO

1. Coloque un fósforo en el extremo del contenedor de fósforos instalado en el interior de la puerta del gabinete.
2. Encienda el fósforo.
3. Inmediatamente introduzca el fósforo encendido en el orificio de 1,91 cm (0,75") del costado del cuerpo de la parrilla que esté más cerca del quemador que desea encender. Asegúrese de que el fósforo encendido esté cerca de los orificios del quemador.
4. Presione la perilla de control que opera ese quemador y gírela en dirección ↻ contraria a las manecillas del reloj hasta la posición 🔥 ALTA y el quemador debería encenderse de inmediato.
5. Ajuste los quemadores según el nivel de cocción deseado.

⚠ PRECAUCIÓN

Si la llama se extingue accidentalmente durante el encendido o el funcionamiento, **CIERRE** inmediatamente la válvula de cierre de gas manual y luego **APAGUE** la perilla de control.



INSTRUCCIONES DE APAGADO

1. Gire las perillas de control en la ↻ dirección de las manecillas del reloj hacia la posición O Apague.
2. Cierre la válvula del tanque completamente girándola en la ↻ dirección de las manecillas del reloj.
3. Cierre la tapa.

Corte el suministro de gas propano en el cilindro cuando no utilice el electrodoméstico.

CUIDADO Y MANTENIMIENTO

REJILLAS DE COCCIÓN

El mejor momento para “quemar” la suciedad las rejillas de cocción es después de cada uso (aproximadamente 15 minutos). La parrilla ya está caliente desde la cocción, por lo tanto, requiere menos combustible para obtener la temperatura necesaria para “quemar” la suciedad.

Para “quemar” la suciedad o limpiar con calor la parrilla, gire los quemadores a la posición máxima y déjelos encendidos durante 15 minutos con la tapa cerrada. Luego apague los quemadores y use un cepillo de alambre para limpiar el exceso de residuos de alimentos de las rejillas.

Las rejillas de porcelana tienen un acabado de esmalte (similar al vidrio) y se deben manipular con cuidado para no descascararlas.

⚠ PRECAUCIÓN

Asegúrese de que la parrilla esté fría antes de limpiar y realizar mantenimiento y de que tenga el suministro de gas cortado en la válvula de cierre de gas manual.

CUIDADO Y MANTENIMIENTO

ARTÍCULOS DE LIMPIEZA RECOMENDADOS

Detergente líquido suave para platos, agua tibia, almohadilla de limpieza de nailon, cepillo de alambre. NO use limpiadores que contengan ácido, aguarrás ni ninguna sustancia abrasiva.

SUPERFICIES EXTERIORES

Se recomienda usar sólo detergente para platos suave y agua caliente para limpiar la parrilla y sus piezas. Enjuague con agua tibia.

BANDEJA INFERIOR INTERIOR DEL CUERPO DE LA PARRILLA

Para evitar llamaradas, la bandeja inferior de la cámara de cocción se debe mantener limpia de forma regular. Retire los residuos con un cepillo, raspador y/o almohadilla de limpieza. Lave con detergente para platos suave y agua tibia. Enjuague con agua tibia. Evite salpicar agua en los tubos venturi de los quemadores.

CÁMARAS DE CALOR

Limpie los residuos con un cepillo de alambre y lave con detergente para platos suave y agua tibia. Enjuague con agua tibia.

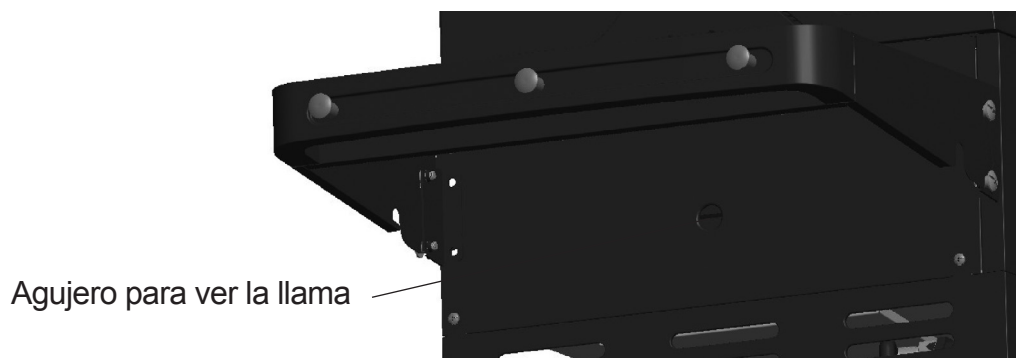
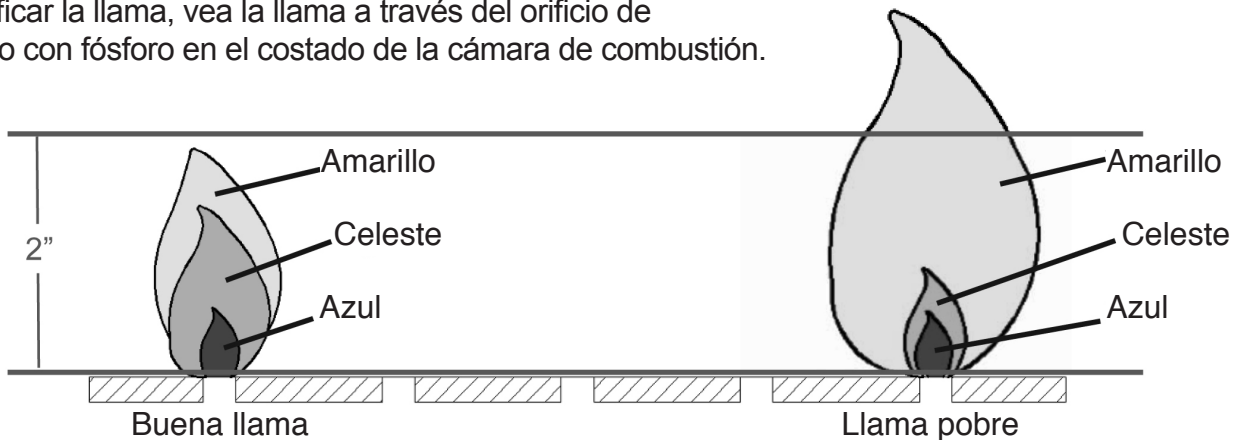
RECIPIENTE DE GRASA

Vacíe el recipiente de grasa y limpie con detergente para platos suave y agua tibia de forma regular.

VERIFICACIÓN DE LA LLAMA

Para una máxima eficiencia del combustible y rendimiento de cocción, la llama debe ser en su mayoría o totalmente de color azul y medir entre 2,54 y 5,08 cm de alto.

Para verificar la llama, vea la llama a través del orificio de encendido con fósforo en el costado de la cámara de combustión.



CUIDADO Y MANTENIMIENTO

ENSAMBLE DEL QUEMADOR

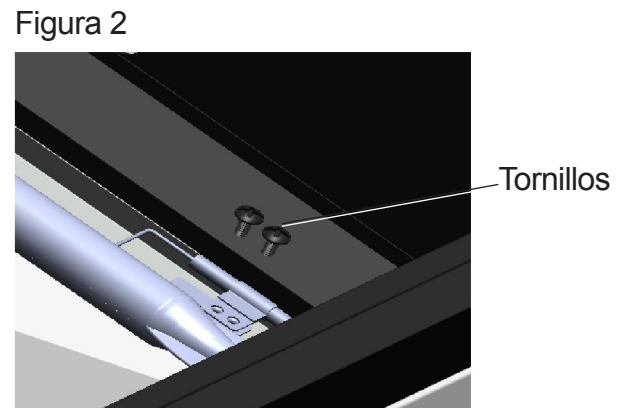
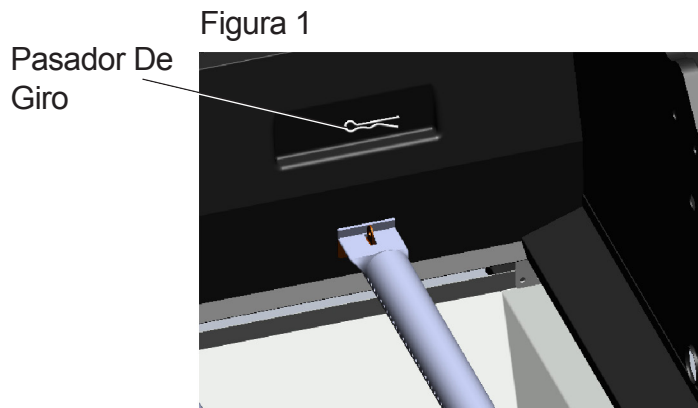
EXTRACCIÓN DEL ENSAMBLE DEL QUEMADOR

1. Asegúrese de que todas las perillas de control se encuentran en la posición de OFF, que la válvula del tanque de PL está cerrada y que el tanque está desconectado del regulador y alejado de la parrilla.

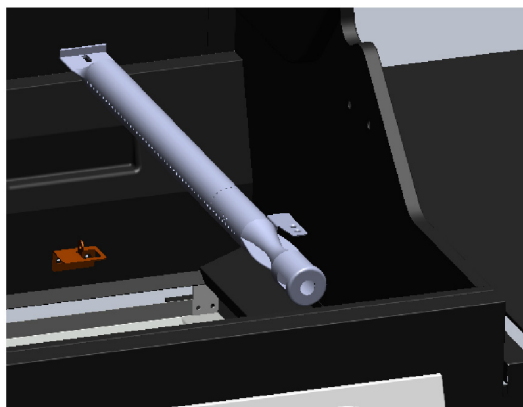
2. Abra la tapa y retire la rejilla para calentar, las rejillas de cocción y las cámaras de calor.



3. Retire el pasador de bisagra como se ilustra en la Figura 1. Retire los 2 tornillos que fijan el electrodo de encendido para el quemador como se ilustra en la Figura 2.



4. Deslice quemadores fuera de la caja de fuego como se muestra.



CUIDADO Y MANTENIMIENTO

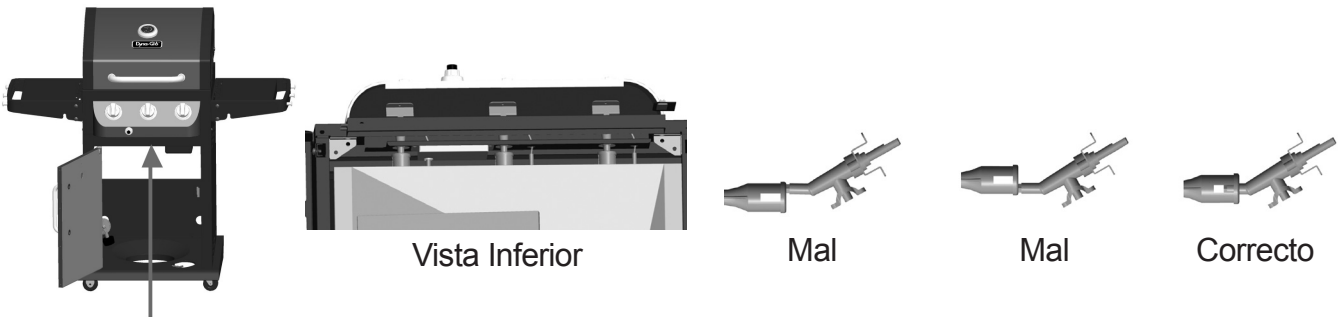
LIMPIEZA DEL ENSAMBLE DEL QUEMADOR – Asegúrese de que la parrilla esté fría

1. Asegúrese de que todos los orificios del quemador estén libres de obstrucciones. Utilizar un pasador o sujetapapeles funciona bien.
2. Asegúrese de que el quemador no tenga ningún daño. Si el quemador está dañado, reemplácelo por uno nuevo.
3. Asegúrese de que el extremo del quemador y la pantalla para aire primaria estén libres de nidos de insectos, polvo o desechos.

REINSTALACIÓN DEL QUEMADOR

Asegúrese de que los orificios estén en la posición correcta dentro de la entrada (venturi) del quemador. Es posible que necesite una linterna para garantizar la posición correcta.

Se recomienda ver la posición correcta por los orificios de ventilación de la cámara de combustión como se ilustra a continuación.



Ver la posición correcta desde la parte inferior de la caja de fuego.

⚠ ADVERTENCIA

Si no siguen las instrucciones que aparecen anteriormente, podría producirse un incendio o una explosión y causar lesiones graves o la muerte.

OTROS CUIDADOS Y MANTENIMIENTO

Se recomienda que un técnico calificado realice una inspección y mantenimiento anual en este electrodoméstico.

Se recomienda que verifique regularmente que no haya materiales combustibles, gasolina ni otros vapores o líquidos inflamables cerca de la zona donde está el electrodoméstico para cocción a gas para exteriores.

Se recomienda que verifique regularmente que el flujo de aire de combustión y ventilación no esté obstruido.

Se recomienda que verifique regularmente que no haya desechos en las aberturas de ventilación del compartimiento del cilindro (gabinete).

Se recomienda que verifique y limpie regularmente el quemador y los tubos venturi para que no haya nidos de insectos. Un tubo obstruido puede ocasionar un incendio debajo de la parrilla.

CUIDADO Y MANTENIMIENTO

El encendido electrónico requiere 1 batería alcalina “AA”, que viene incluida.

⚠ ADVERTENCIA

NO mezcle baterías antiguas con nuevas.
NO mezcle baterías alcalinas, estándar (carbono-zinc) o recargables (níquel-cadmio).
NO se deshaga de las baterías en el fuego. Desechar las baterías indebidamente podría provocar que éstas exploten o tengan fugas.

SOLUCIÓN DE PROBLEMAS

Si tiene preguntas relacionadas con el producto, llame al Servicio al Cliente al 1-877-447-4768, 8:30 a.m. - 4:30 p.m. CST, de lunes - viernes.

PROBLEMA	CAUSA POSIBLE	ACCIÓN CORRECTIVA
El quemador no se enciende con el procedimiento del encendedor (se genera una chispa débil o no se genera ninguna).	<ol style="list-style-type: none">1. El electrodo del encendedor puede estar cubierto de grasa o residuos.2. El electrodo del encendedor puede tener un cable suelto o desconectado.3. El electrodo del encendedor está roto o descompuesto.4. La batería está agotada o mal conectada.	<ol style="list-style-type: none">1. Limpie el electrodo del encendedor.2. Verifique la conexión y vuelva a conectar cualquier cable suelto o desconectado.3. Reemplace el electrodo del encendedor (consulte la lista de piezas de repuesto).4. Realice cualquiera de las siguientes acciones:<ol style="list-style-type: none">a. Reemplace la batería.b. Verifique que la batería esté insertada correctamente.c. Verifique que no haya corrosión alrededor de los terminales de la batería.d. Verifique la conexión de los cables como se indica anteriormente.
El calor es bajo.	<ol style="list-style-type: none">1. Hay una presión de gas insuficiente en la unidad.	<ol style="list-style-type: none">1. Llame a una agencia de servicio calificada para verificar la presión de suministro de gas y corrija la presión.
Llamaradas excesivas.	<ol style="list-style-type: none">1. Hay grasa y/o residuos acumulados en las cámaras de calor o en la cámara de combustión.2. Hay un goteo de grasa o marinado desde los alimentos.3. La temperatura de cocción es demasiado alta.	<ol style="list-style-type: none">1. Limpie los componentes de la parrilla.2. Corte la grasa de la carne y use marinados que no sean a base de aceite.3. Baje la temperatura según corresponda.

SOLUCIÓN DE PROBLEMAS

PROBLEMA	CAUSA POSIBLE	ACCIÓN CORRECTIVA
El quemador no se luz con un fósforo.	<ol style="list-style-type: none">1. El fósforo no alcanza los quemadores (al sostenerlo con la mano).2. El suministro de gas está cerrado.3. Hay una mala conexión entre el conector del tapón de la manguera de gas y el acoplador de los manguitos.4. La entrada del quemador está bloqueada.	<ol style="list-style-type: none">1. Use el soporte para fósforos que se encuentra en la puerta del gabinete.2. Verifique que la válvula de cierre de suministro de gas manual esté abierta.3. Apague las perillas de la parrilla, cierre la válvula de cierre de suministro de gas y verifique la conexión entre el tapón y el acoplador de los manguitos. Desconecte y vuelva a conectar, si es necesario.4. Limpie la entrada del quemador (venturi) y el quemador como se describe en la sección Cuidado y mantenimiento de este manual.
No hay flujo de gas o un obstruido el flujo de gas.	<ol style="list-style-type: none">1. El suministro de gas está cerrado.2. Hay una mala conexión entre el conector del tapón de la manguera de gas y el acoplador de los manguitos.3. La entrada del quemador está bloqueada.	<ol style="list-style-type: none">1. Verifique que la válvula de cierre de suministro de gas manual esté abierta.2. Apague las perillas de la parrilla, cierre la válvula de cierre de suministro de gas y verifique la conexión entre el tapón y el acoplador de los manguitos. Desconecte y vuelva a conectar, si es necesario.3. Limpie la entrada del quemador (venturi) y el quemador como se describe en la sección Cuidado y mantenimiento de este manual.

GARANTÍA LIMITADA

1 año de garantía limitada

Esta parrilla a gas PL está garantizada por 1 año contra piezas rotas o dañadas desde la fecha de compra. Se garantiza que está libre de defectos. La pintura está garantizada contra defectos, salvo la oxidación, la cual puede aparecer después del uso repetido.

Esta garantía no cubre daños o problemas ocasionados por negligencia, abuso o modificaciones al electrodoméstico. Los gastos de reparación no están cubiertos.

Todas las piezas que cumplan con los requisitos de la garantía se enviarán sin cargo por el medio que decida el fabricante (envíos por tierra, correo de EE.UU. o servicios de paquetes postales ÚNICAMENTE). Cualquier otro gasto especial de manipulación (es decir, envíos de dos días, al día siguiente, etc.) será de responsabilidad del cliente.

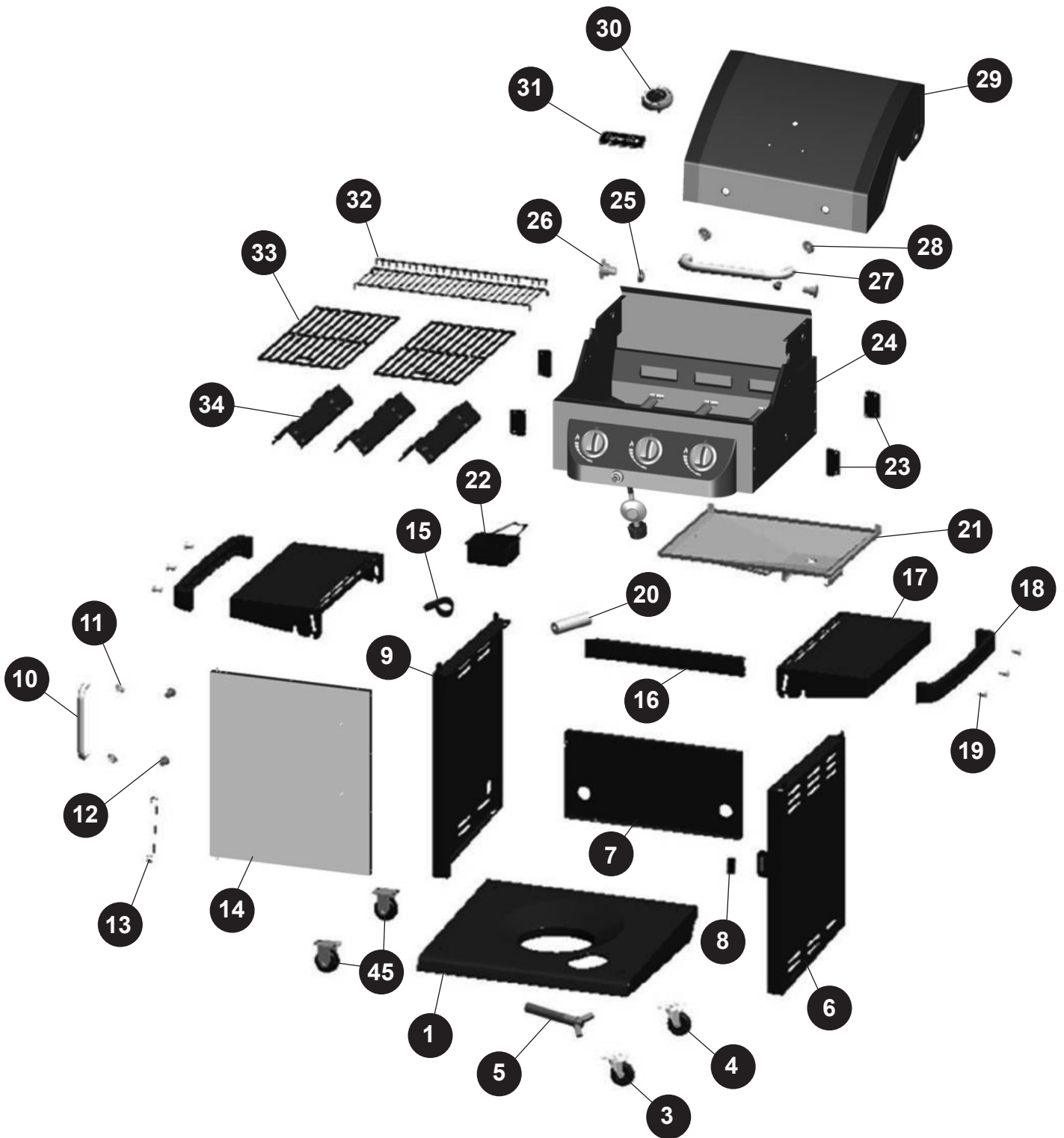
Todos las reclamaciones de garantía se aplican sólo al comprador original y requieren un comprobante de compra para verificar la fecha de la misma. No devuelva piezas sin antes obtener un número de autorización para la devolución de nuestro Servicio al Cliente. Este servicio está disponible llamando gratis al 1-877-447-4768, de 8:30 am - 4:30 pm, hora central, de lunes - viernes.

AVISO: Algunos estados no permiten la exclusión o limitación de daños accidentales o resultantes, o limitaciones en cuanto al período de duración de una garantía, de modo que las limitaciones o exclusiones anteriores pueden no aplicarse a usted. Esta garantía le otorga derechos legales específicos, pero podría tener también otros derechos legales que varían según el estado.

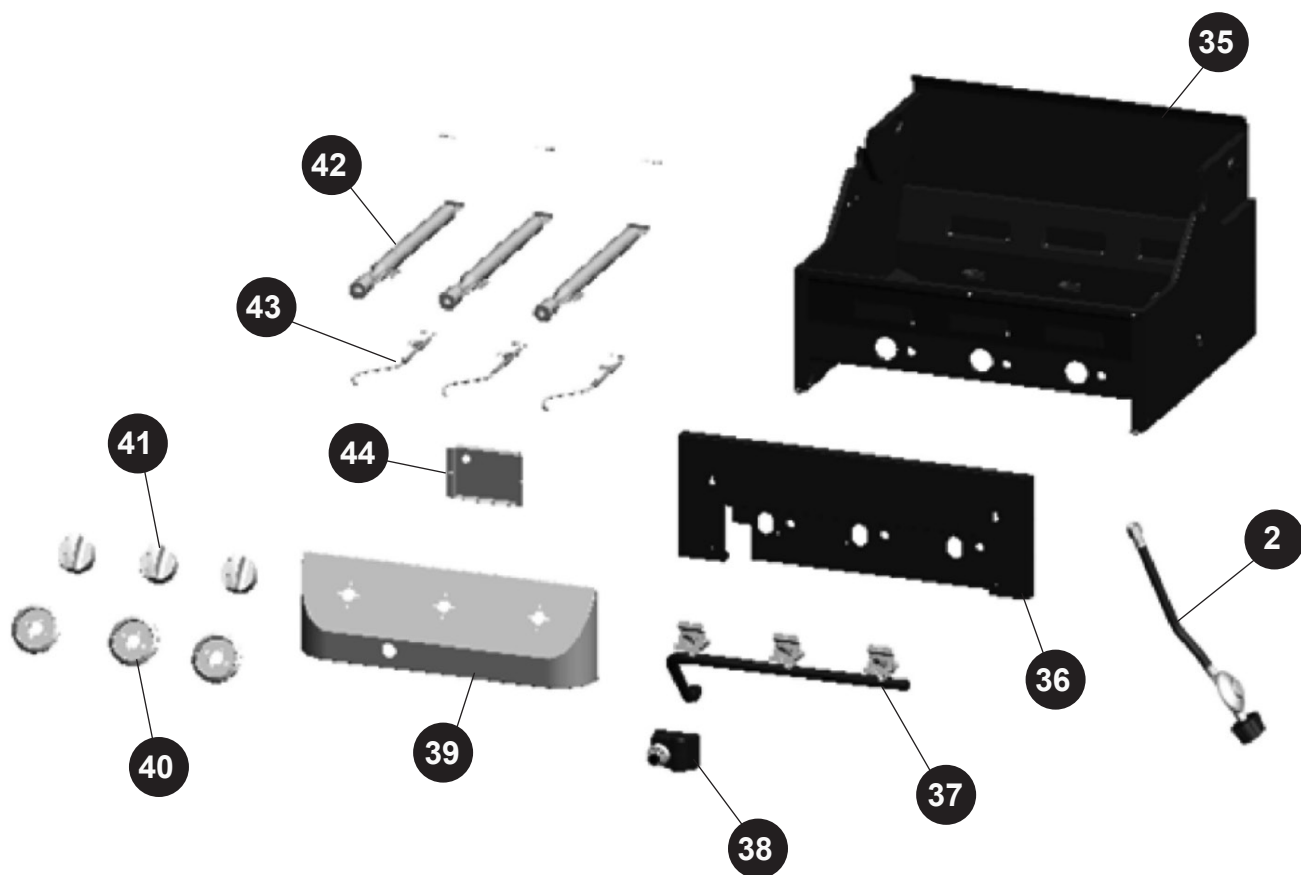
GHP Group, Inc.
6440 W. Howard St.
Niles, IL, USA
60714-3302

Nombre del artículo: Asador A Gas PL De 3 Quemadores
Modelo #: DGB390BNP/DGB390BNP-D
Clasificación de: 36,000 BTU/Hr

LISTA DE PIEZAS DE REPUESTO



LISTA DE PIEZAS DE REPUESTO



LISTA DE PIEZAS DE REPUESTO

Para obtener piezas de repuesto, llame a nuestro Departamento de Servicio al Cliente al 1-877-447-4768, de 8:30 am - 4:30 pm, hora central, de lunes - viernes.

REF.	DESCRIPCIÓN	PIEZA #
1	Panel inferior	104 - 04006
2	Manguera de gas LP y el conjunto del regulador	104 - 13014
3	Pin bloqueo Rueda giratoria - Incluye 4 tornillos / arandelas planas / arandelas de resorte	104 - 04017
4	Rueda giratoria de bloqueo - Incluye 4 tornillos / arandelas planas / arandelas de resorte	104 - 04019
5	LP tornillo de sujeción del cilindro	104 - 04012
6	Cesta de panel lateral derecha	104 - 04010
7	Cesta panel trasero	104 - 04008
8	Puerta Imán	104 - 14020
9	Carro del panel lateral izquierdo	104 - 04009
10	Cesta delantera manija de la puerta	104 - 14021
11	Puerta del panel biselado mango	104 - 14022
12	Puerta manga mango	104 - 14023
13	Coincidir titular	104 - 14024
14	Carrito conjunto de la puerta frontal - sin mango	70-01-403
15	Manguera titular	104 - 04007
16	Cesta llave la puerta frontal superior	104 - 04011
17	Mesilla	104 - 04001
18	Towel bar	104 - 14001
19	Herramienta de gancho	104 - 14002
20	Pila AA (1,5 V)	104 - 05002
21	Grease pan con pantalla térmica	104 - 04013
22	Grease taza	104 - 04014
23	Soporte lateral mesa	104 - 04003
24	Montaje Firebox - Incluye quemadores / válvula del tanque de gas y montaje de colector / manguera de gas LP y regulador / panel de control / cable de encendido y el electrodo	70-01-404
25	M6 tuerca que queden - Secure pasador de pivote tapa	70-09-001
26	Tapa del pasador de pivote	104 - 12002
27	Tapa mango	104 - 12003
28	Tapa bisel mango	104 - 12004
29	Grill tapa de montaje incluye paragolpes tapa	70-01-405
30	Temperatura de calibre con tuerca	104 - 12005
31	Divisa	104 - 22006
32	Rejilla de calentamiento	104 - 13001
33	Parrilla de cocción	104 - 13002
34	Heat tienda	104 - 13003
35	Firebox montaje - incluye paragolpes tapa	104 - 13004
36	Firebox panel frontal exterior	104 - 13005
37	Válvula de gas LP y colector	104 - 13006
38	Ignición electrónica	104 - 13007
39	Panel de control	70-01-406
40	Control de bisel perilla	104 - 13009
41	La perilla de control	104 - 13010
42	Quemador principal con cierre de seguridad	104 - 13011
43	Electrodo de encendido y el conjunto de cables de encendido	104 - 13012

LISTA DE PIEZAS DE REPUESTO

REF.	DESCRIPCIÓN	PIEZA #
44	Blindaje térmico para encendido electrónico	104 - 13013
45	Rueda dirección individual - incluye 4 tornillos / arandelas planas / arandela de resorte	104 - 04018
n/a	Paquete de Hardware	104 - 05001
n/a	Manual de instrucciones	70 - 10 - 567