

USER'S MANUAL AND OPERATING INSTRUCTIONS



ANS Z21.58b-2012 CSA1.6b-2012
Outdoor Cooking Gas Appliance

Assembler/Installer: This manual contains important information necessary for the proper assembly and safe use of this appliance. Read and follow all warnings and instructions before assembling and using this appliance. **Leave these instructions with the consumer.**

Consumer/User: Follow all warnings and instructions when using this appliance.
Retain these instructions for future reference.

⚠ DANGER:

If you smell gas:

1. Shut off gas to the appliance.
2. Extinguish any open flame.
3. Open Lid.
4. If odor continues, keep away from the appliance and immediately call your gas supplier or your fire department.

⚠ WARNING:

1. Do not store or use gasoline or other flammable liquids or vapors in the vicinity of this or any other appliance.
2. An LP cylinder not connected for use shall not be stored in the vicinity of this or any other appliance.
3. This grill is for outdoor use only, and shall not be used in a building, garage, under overhangs or any other enclosed area.
4. Do not leave a lit grill unattended. Keep children and pets away from the grill at all times.

Questions, problems, missing parts? Before returning to your retailer, call our customer service department at 1-877-447-4768, 8:30 a.m. – 4:30 p.m., CST, Monday – Friday or e-mail us at customerservice@ghpgroupinc.com.



NO NEED TO RETURN TO THE STORE

Questions With The Assembly?
Require Parts Information?
Product Under Manufacturers Warranty?

Call Toll Free : 1-877-447-4768
8:30 a.m. – 4:30 pm CST, Monday – Friday

Retain This Owner's Manual And Proof Of Purchase For Future Reference

To help us help you

Fill in the information below:

Date of Purchase

Place of Purchase

Model Number

Product Serial No.

MODEL NUMBER AND PRODUCT SERIAL NUMBER CAN BE FOUND ON
THE RATING LABEL OF YOUR GRILL.

TABLE OF CONTENTS

Safety Information	2
Package Contents	5
Illustrated Parts List	6
Hardware Contents	6
Assembly Instructions	8
Operation Instructions	22
Care and Maintenance	29
Troubleshooting	33
Replacements Parts List	36
Warranty	40



SAFETY INFORMATION

Please read and understand this entire manual before attempting to assemble, operate or install the product. If you have any questions regarding the product, please call customer service at: 1-877-447-4768, 8:30 a.m. – 4:30 p.m., CST, Monday – Friday.

- This grill is for outdoor use only in well-ventilated areas.
- Keep a Class B fire extinguisher near this product at all times.
- DO NOT store or use gasoline or any other flammable vapors and liquids within 25 feet (8 m) of this or any other appliance.
- An LP Cylinder not connected for use should be stored a minimum of 10 feet (3 m) away from this or any other appliance.
- DO NOT operate the unit near or under flammable or combustible materials such as decks, porches or carports. A minimum clearance of 36 in. (92 cm) is recommended. DO NOT operate the unit under overhead construction.
- A minimum clearance to combustible construction is 36 in. (92 cm) from sides and back.
- The propane grill side is for use with propane gas only (propane gas cylinder not included).
- Never attempt to attach this grill to the self-contained propane system of a boat, camper trailer, motor home or house.
- Never use charcoal lighter fluid on the GAS grill side.
- Do not use gasoline, kerosene or alcohol for lighting. The LP gas supply cylinder used with this appliance must be:
 - (a) Constructed and marked in accordance with the Specifications for LP-Gas Cylinders of the U.S. Department of Transportation (D.O.T.) or the National Standard of Canada, CAN/CSA-B339, Cylinders, Spheres and Tubes for Transportation of Dangerous Goods; and Commission, as applicable; and
 - (b) Provided with a listed overfilling prevention device.
 - (c) Provided with a cylinder connection device compatible with the connector for outdoor cooking appliances. This grill is not intended to be used in or installed on recreational vehicles and/or boats.
- DO NOT use this product in a manner other than its intended a purpose. It is NOT intended for commercial use.
- Do not attempt to move the grill while it is lit, when it is hot, while in use, or while ashes are still hot. The casters should be locked when not moving the grill.
- DO NOT leave hot ashes unattended until the grill cools completely.
- DO NOT use this appliance as a heater.
- Operate the unit on a stable, level, non-flammable surface such as asphalt, concrete or solid ground. DO NOT operate the unit on flammable material such as carpet or wood deck.
- Use caution when assembling and operating this unit to avoid cuts and scrapes from edges.
- Do not use the grill unless it is completely assembled and all parts are securely fastened and tightened.
- Use caution when lifting and moving the unit to avoid back strain or back injury.
- Keep all combustible items and surfaces at least 36 inches (91.44 cm) away from the grill at all times.



SAFETY INFORMATION

- Do not use in an explosive atmosphere. Keep grill area clear and free from combustible materials, gasoline and other flammable vapors and liquids.
- Do not touch metal parts of grill until it has completely cooled (about 45 minutes) to avoid burns, unless you are wearing protective gear (pot holders, gloves, BBQ mittens, etc...).
- Do not alter this grill in any manner.
- Clean and inspect the hose before each use. If there is evidence of abrasion, wear, cuts, or leaks, the hose must be replaced prior to operating the appliance. The replacement hose assembly will be that which is specified by GHP Group, listed in the repair parts list in this manual.
- Move gas hoses as far away as possible from hot surfaces and dripping hot grease.
- Never keep a filled container in a hot car or car trunk. Heat will cause the gas pressure to increase, which may open the relief valve and allow gas to escape.
- Keep the grill's valve compartment, burners and circulating air passages clean. Inspect the grill before each use. Do not obstruct the flow of gas or ventilation air.
- The use of alcohol, prescription or non-prescription drugs may impair the operator's ability to properly assemble or safely operate the grill.
- Always open grill lid slowly and carefully as heat and steam trapped within the grill can burn you severely.
- Always cook your food on the charcoal grate after the flame has burned out.
- Dispose of cold ashes by wrapping them in a heavy-duty aluminum foil and placing in a noncombustible container. Make sure that there are no other combustible materials in or near the container.
- If you must dispose of ashes in less time than it takes for the ashes to completely cool down, then remove the ashes from the unit, keeping them in the heavy-duty foil, and soak them completely with water before disposing of them in a noncombustible container.
- **Do not leave a lit grill unattended. Keep children and pets away from the grill at all times.**
- Do not place this grill on any type of tabletop surface. The grill should be placed on a flat and level surface.
- Do not use the grill in high winds.
- Do not modify this grill for use with other indoor or outdoor fixtures, such as countertops or drop-in grill islands.
- Do not use this grill indoors.

CALIFORNIA PROPOSITION 65

1. Fuels used in gas, charcoal, wood, or oil fired appliances and the products of combustion of such fuels, contain Chemicals known to the State of California to cause cancer, birth defects or other reproductive harm.
2. This product contains chemicals, including lead and lead compounds, known to the State of California to cause cancer, birth defects or other reproductive harm. ***Wash hands after handling.***



SAFETY INFORMATION

⚠ WARNING

Do not place the grill under overhead combustible construction or awnings. Minimum clearance from sides and back of unit to combustible construction, 36 inches (914.4mm) from sides and back.

All of the above noted clearances are with respect to combustible wood structures or construction. Greater clearances are recommended for vinyl structures or construction.



NOTE: The installation must conform with local codes or, in the absence of local codes, with either the National Fuel Gas Code, ANSI Z223.1/NFPA 54, Natural Gas and Propane Installation Code, CSA B149.1, or Propane Storage and Handling Code, B149.2.

⚠ DANGER

CARBON MONOXIDE HAZARD

Burning charcoal inside can kill you. It gives off carbon monoxide, which has no odor. NEVER burn charcoal inside homes, garages, vehicles, or tents.

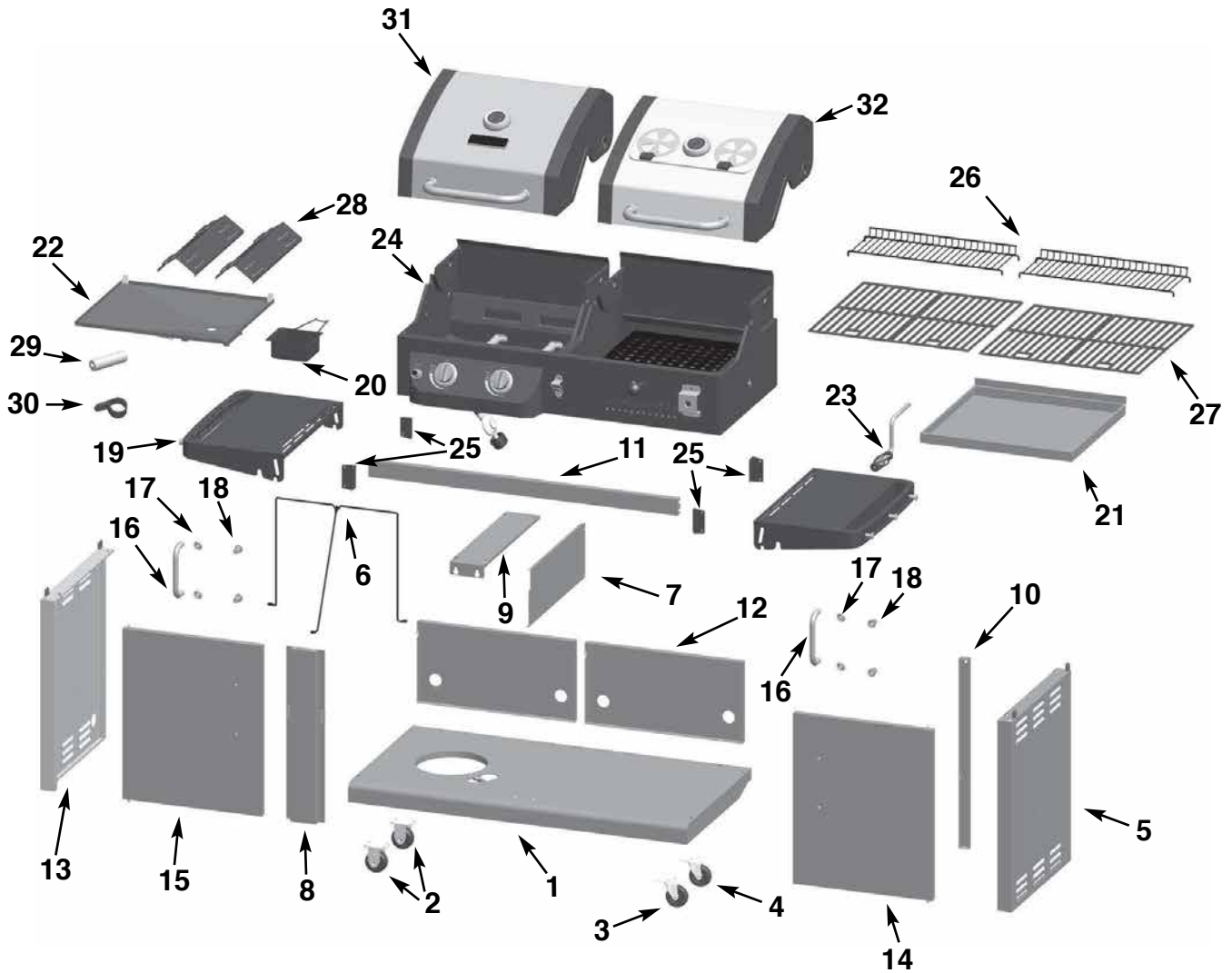
PACKAGE CONTENTS

BEFORE STARTING ASSEMBLY, UNPACK CARTON AND VERIFY CONTENTS. COMPARE ENCLOSED PARTS WITH PACKAGE CONTENTS LIST AND DIAGRAM. IF ANY PART IS MISSING OR DAMAGED, DO NOT ATTEMPT TO ASSEMBLE THE PRODUCT. CONTACT CUSTOMER SERVICE FOR REPLACEMENT PARTS.

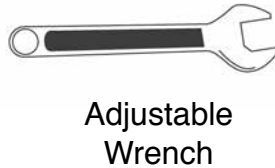
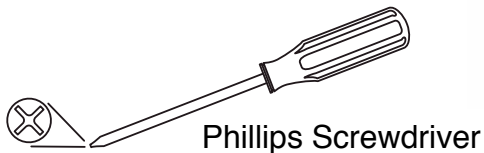
1-877-447-4768 8:30 a.m. – 4:30 pm CST, Monday – Friday.

Part No.	Description	Qty	Part No.	Description	Qty
1	bottom shelf	1	17	door handle bezel	4
2	direction caster	2	18	door handle sleeve	4
3	non-locking swivel caster	1	19	side table	2
4	locking swivel caster	1	20	grease cup	1
5	cart right side panel	1	21	ash pan	1
6	LP cylinder exclusion	1	22	grease pan	1
7	heat shield	1	23	charcoal tray adjustment handle	1
8	cart front vertical beam	1	24	grill body	1
9	cart middle cross beam	1	25	side table support	4
10	cart rear vertical beam	1	26	warming rack	2
11	upper front door brace	1	27	cooking grate	4
12	cart rear panel	2	28	heat tent	2
13	cart left side panel	1	29	AAA battery (1.5V)	1
14	right door assembly	1	30	LP gas hose holder	1
15	left door assembly	1	31	Gas grill lid assembly	1
16	door handle	2	32	Charcoal grill lid assembly	1

PACKAGE CONTENTS



Tools Required for Unpacking, Assembly and Leak Testing of This Product:














Estimated Assembly Time: 30-45 minutes

Dual Fuel Grill



HARDWARE CONTENTS

Part	Description	Qty	Fig
A	M6x12 Screw	52	
A	M6x12 Screw (Pre-assembled in cabinet door handles)	4	
B	M6 Plain Washer	23	
C	M6 Spring Washer	16	
D	M4x12 Screw	8	
E	M6 Shoulder Screw	8	
F	M4 Nut	1	
G	Cotter Pin	1	
H	Lid Pivot Pin A - Left & Right	2	
I	Lid Pivot Pin B - Middle	1	
J	Cap Nut	3	

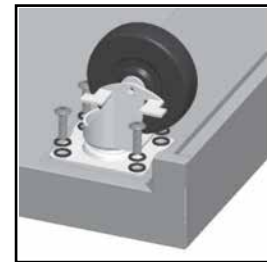
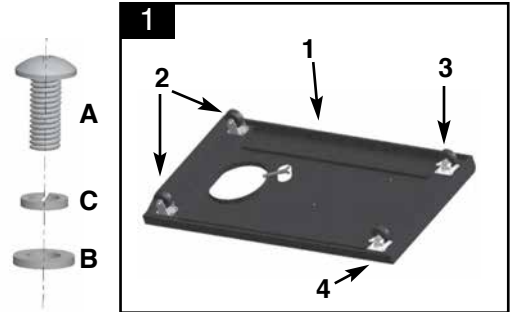
ASSEMBLY INSTRUCTIONS

NOTE: Use caution when assembling and operating this unit to avoid cuts and scrapes from edges.

Step 1: Install the casters, including 2 direction casters (2), 1 non-locking swivel caster (3), and 1 locking swivel caster (4), onto bottom shelf (1) using M6x12 screws (A), M6 spring washers (C,) and M6 plain washers (B) as illustrated.

Hardware Used

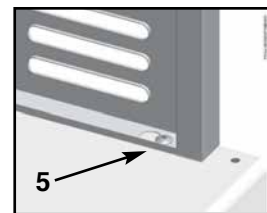
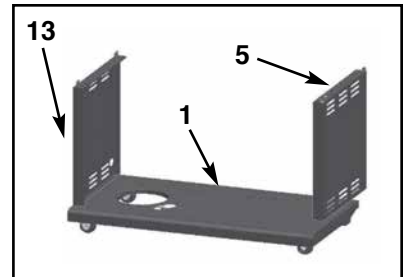
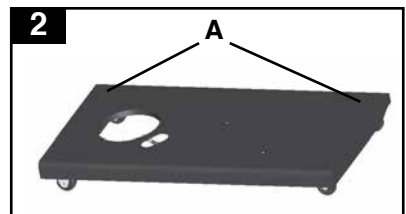
A	M6x12 Screw	Qty: 16 pcs
B	M6 Plain Washer	Qty: 16 pcs
C	M6 Spring Washer	Qty: 16 pcs



Step 2: Insert 4 screws (A) into holes in bottom shelf (1), leaving 4-6mm clearance from screw head to bottom shelf (1). Attached cart left side panel (13) by placing the panel keyholes over the screw heads (A) on the left side of bottom shelf (1), slide the cart left side panel (13) so that the screw head is over the smaller part of keyhole. Thread the screw (A) down snug but do not tighten completely at this step. Repeat with cart right side panel (5).

Hardware Used

A	M6x12 Screw	Qty: 4 pcs
----------	-------------	------------

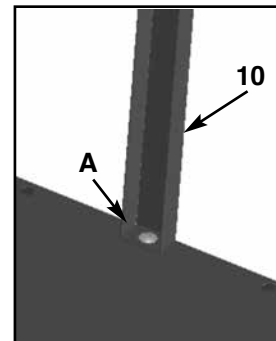
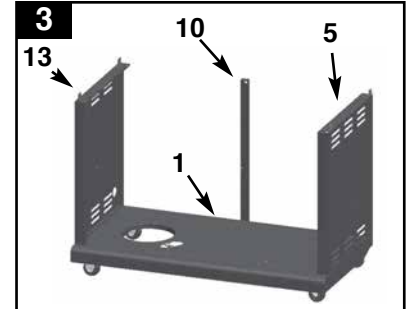


ASSEMBLY INSTRUCTIONS

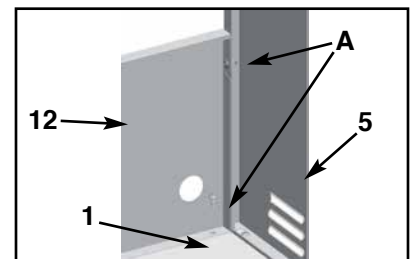
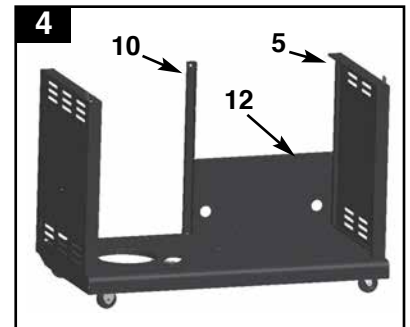
Step 3: Attach cart rear vertical beam (10) to the middle of the back in bottom shelf (1) by using one M6x12 screw (A). Tighten the screw.

Hardware Used

A M6x12 Screw Qty: 1 pcs



Step 4: Insert one M6x12 screw (A) into each of the rear holes of the cart right side panel and cart rear vertical beam (5 & 10), leaving 4-6mm clearance from screw head to the right side panel and cart rear vertical beam (5 & 10). Attached one of the cart rear panels (12) by sliding the keyholes in the cart rear panel over the inserted screws and then push with force. Secure the cart rear panel (12) to the bottom shelf (1) by using two M6x12 screws (A). Tighten the two M6x12 screws on cart right side panel and cart rear vertical beam (5 & 10).



Hardware Used

A M6x12 Screw Qty: 4 pcs



ASSEMBLY INSTRUCTIONS

Step 5: Insert one M6x12 screw (A) into each of the rear holes of the cart left side panel and cart rear vertical beam (13 & 10), leaving 4-6mm clearance from screw head to the cart left side panel and cart rear vertical beam (13 & 10). Attach the other cart rear panels (12) by sliding the keyholes in the cart rear panel over the inserted screws and then push with force. Secure the cart rear panel (12) to the bottom shelf (1) by using two M6x12 screws (A). Tighten the two M6x12 screws on cart left side panel and cart rear vertical beam (13 & 10).

Hardware Used

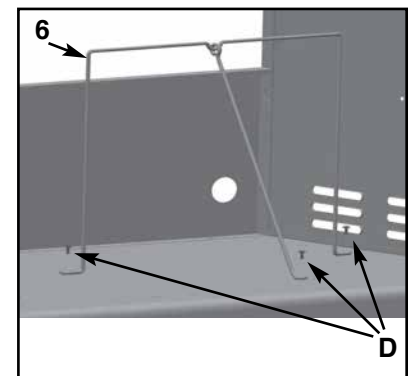
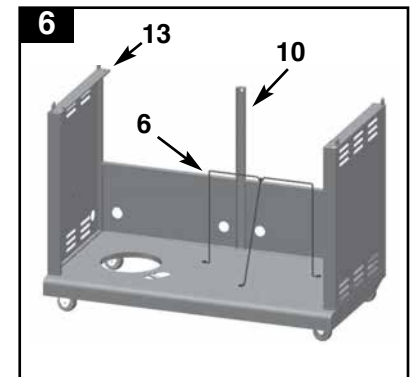
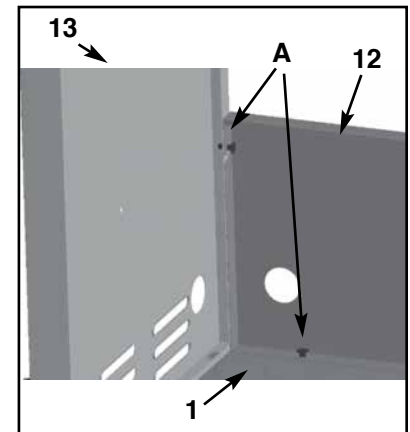
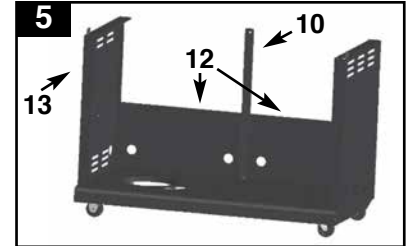
A M6x12 Screw Qty: 4 pcs



Step 6: Attach LP cylinder exclusion (6) to the bottom shelf (1) by using three M4x12 screws (D).

Hardware/Parts Used

D M4x12 Screw Qty: 3 pcs

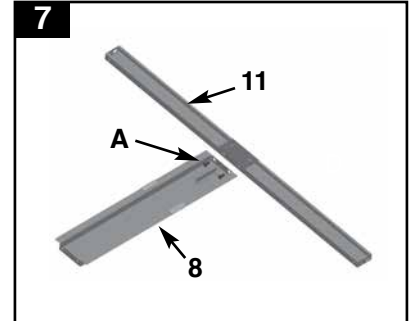


ASSEMBLY INSTRUCTIONS

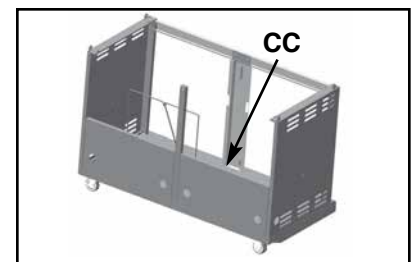
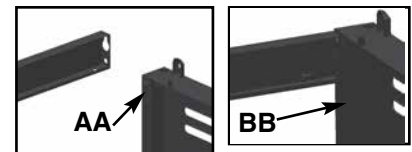
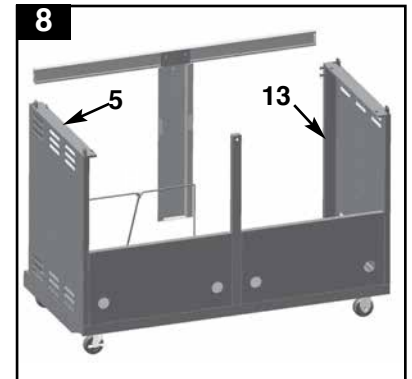
Step 7: Preassemble cart front vertical beam (8) and upper front door brace (11) as “T” shape by using two M6x12 screws (A).

Hardware/Parts Used

A M6x12 Screw Qty: 2 pcs

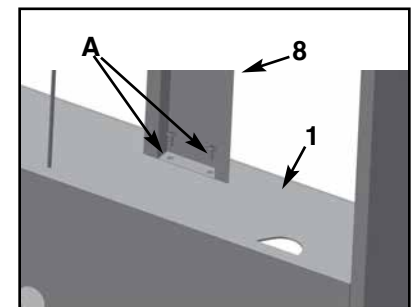


Step 8: Preassemble cart front vertical beam (8) and upper front door brace (11) as “T” shape assembly. Insert two M6x12 screws (A) into each of the top mounting holes (labeled as AA) on the cart left side panel and cart right side panel (13 & 5), leaving 4-6mm clearance from screw head to the cart left side panel and cart right side panel (13 & 5). Attach the Cart front vertical beam (8) and upper front door brace (11) assembly by placing the key holes over the inserted screw head (A) on the side panels (13 & 5), slide the upper front door brace (11) so that the screw head is over the smaller hole. Secure the screws, but do not tighten completely this time. Secure another two M6x12 screws into holes (labeled as BB). Finally, secure the cart front vertical beam (8) to bottom shelf (labeled as CC) by using two M6x12 screws (A).



Hardware Used


A M6x12 Screw Qty: 6 pcs

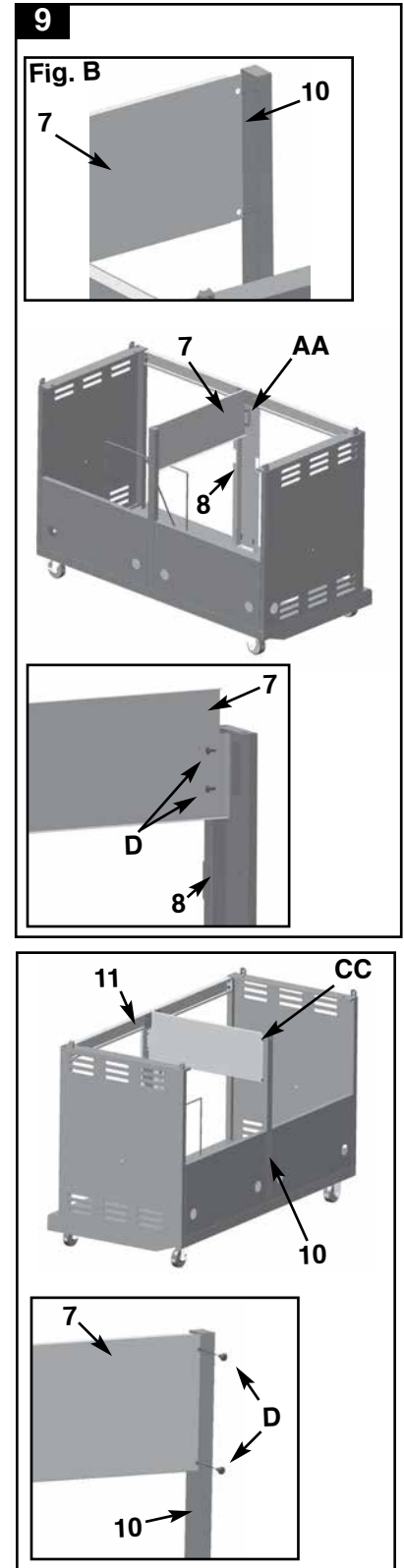


ASSEMBLY INSTRUCTIONS

Step 9: Place the heat shield (7) into the cart rear vertical beam (10), as illustrated on below magnifying figure B. Secure heat shield (7) to the cart front vertical beam (8, labeled as AA) by using two M4x12 screws (D), secure heat shield (7) to cart rear vertical beam (10, labeled as CC) by using two M4x12 screws (D).

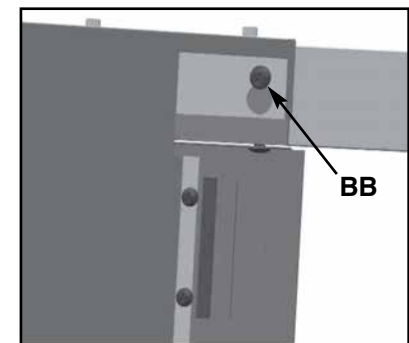
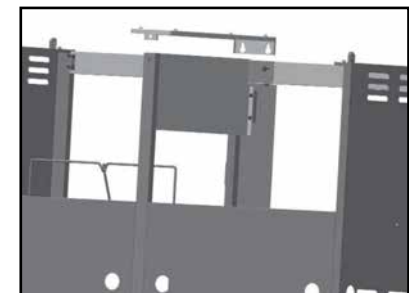
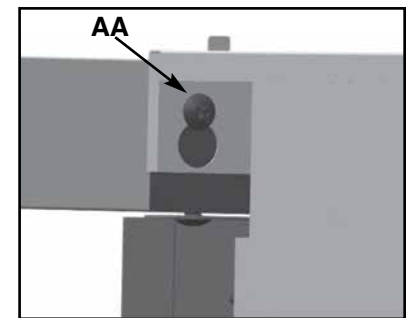
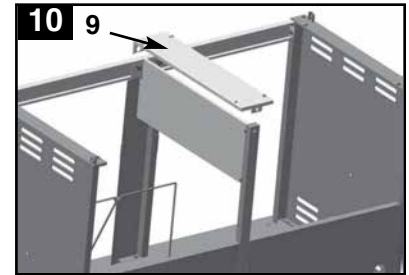
Hardware Used

D M4x12 Screw Qty: 4 pcs 



ASSEMBLY INSTRUCTIONS

Step 10: Insert two M6x12 screws (A) into upper front door brace (11, labeled as AA and BB), leaving 4-6mm clearance from screw head to the upper front door brace (11). Attach the Cart middle cross beam (9) by placing the keyholes over the screw head (A) on the upper front door brace (11), slide the cart middle cross beam (9) so that the screw head is over the smaller part of keyhole. Secure the screws but do not tighten completely this time. Install one M6x12 screw (A), labeled as CC. Tighten the screws.



View from the back.

Hardware Used

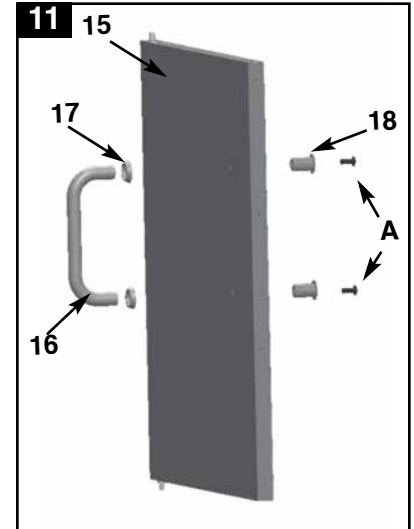
A	M6x12 Screw	Qty: 3 pcs	
---	-------------	------------	--

ASSEMBLY INSTRUCTIONS

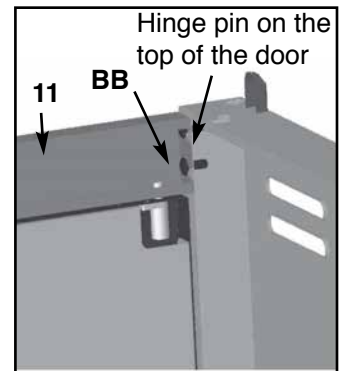
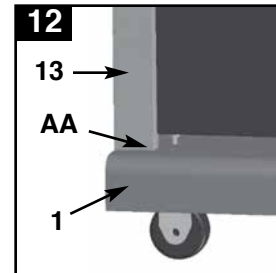
Step 11: Remove preassembled two M6x12 screws (A) and door handle sleeve (18) from the door handle. Insert the 2 door sleeves (18) into the holes located on the back of left door assembly (15), insert two M6x12 screws (A) into the door handle sleeve (18), through the door handle bezels (17) and into the thread holes in the door handles. Tighten the screws. Repeat with right door assembly (14).

Hardware Used

A M6x12 Screw Qty: 4 pcs
(Pre-assembled in cabinet door handles)



Step 12: Insert the bottom hinge pin of left door assembly (15) into the hole (labeled as AA) on bottom shelf (1). Press the hinge pin on the top of left door assembly (15) by hand and insert into the hole (labeled as BB) of upper front brace (11). Repeat the same with right door assembly (14).



ASSEMBLY INSTRUCTIONS

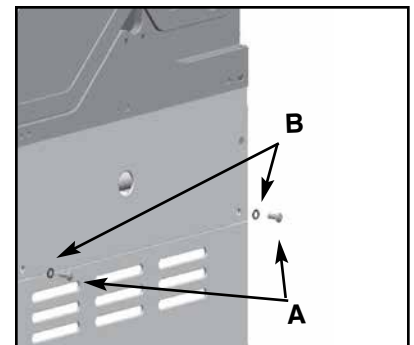
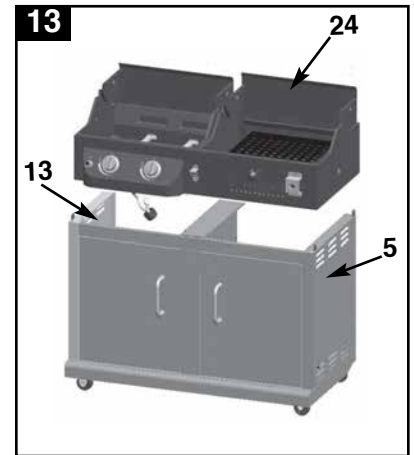
Step 13: Carefully place the grill body (24) onto the cart left side panel and cart right side panel (13 & 5). Adjust the grill body (24) so that the holes in the grill body (24) are aligned with the holes in the tabs of the cart side panels (13 & 5). NOTE: Make sure the gas hose is inside the cart. Fasten the grill body (24) by using two M6x12 screws (A) and plain washer (B) on each side.

Hardware Used

A M6x12 Screw Qty: 4 pcs

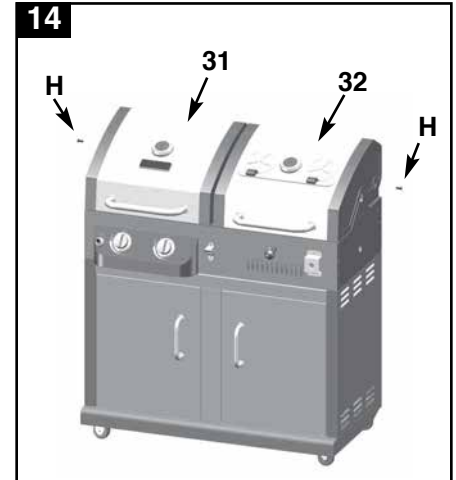


B M6 Plain Washer Qty: 4 pcs



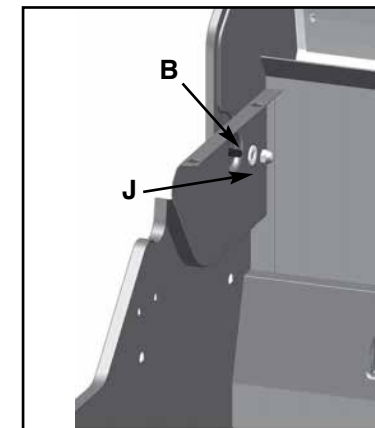
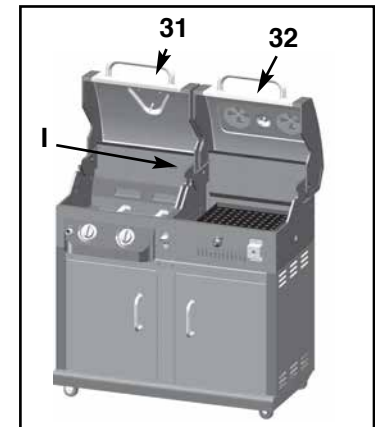
ASSEMBLY INSTRUCTIONS

Step 14: Carefully place Gas grill lid assembly (31) and charcoal grill lid assembly (32) onto the gas grill and charcoal firebox separately. Insert 1 Lid pivot pin A -left & right HH into the hole in left side panel of gas grill firebox through the left mounting hole on the left of gas grill lid assembly (31); Insert 1 Lid pivot pin A - left & right (H) into the hole in right side panel of charcoal grill firebox through the right mounting hole on the right of charcoal grill lid assembly (32); Insert 1 Lid pivot pin B- Middle II into the hole in the right side of gas grill firebox through the hold in the right of gas grill lid assembly (31), the hole in the left of charcoal grill lid assembly (32), and the hole in the left of charcoal grill firebox. Note: lift the grill gas lid assembly (31) and charcoal grill lid assembly (32) while inserting the Lid pivot pins, make sure the holes are in position. Secure Lid pivot pin A - reft & right (H) and Lid pivot pin B - Middle II with 3 cap nuts (J)and 3 plain washers (B).



Hardware Used

H	Lid Pivot Pin A	Qty: 2 pcs	
I	Lid Pivot Pin B	Qty: 1 pcs	
J	Cap Nut	Qty: 3 pcs	
B	M6 Plain Washer	Qty: 3 pcs	

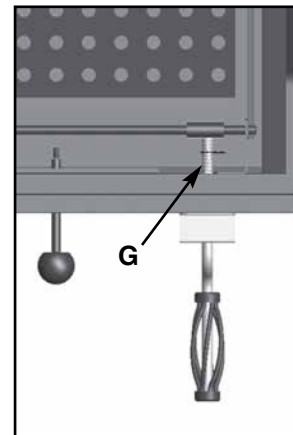


ASSEMBLY INSTRUCTIONS

Step 15: Attach the Charcoal tray adjustment handle (23) to grill body (24) by rotating the handle clockwise. Insert the cotter pin (G) while the Charcoal tray adjustment handle (23) rotates in position.

Hardware Used

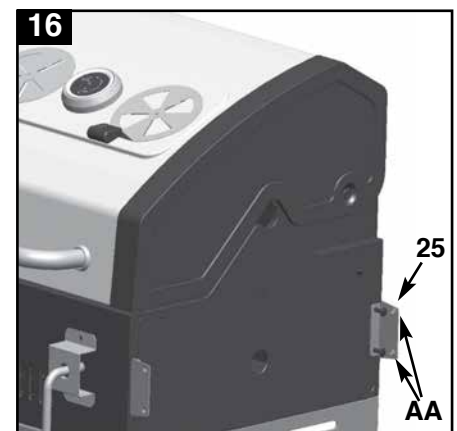
G Cotter Pin Qty: 1 pcs



Step 16: Install four side table supports (25) with two M6x12 screws (A) separately into holes (labeled as AA) in side of grill body (24) and tighten the screws.

Hardware Used

A M6x12 Screw Qty: 8 pcs

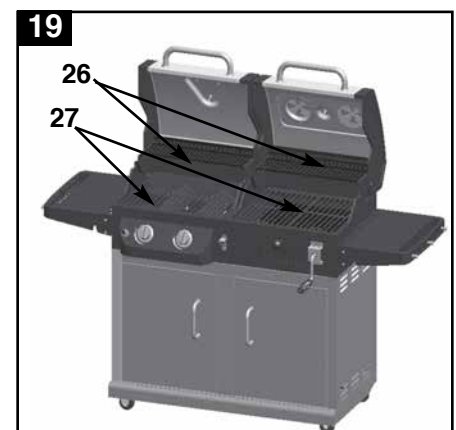
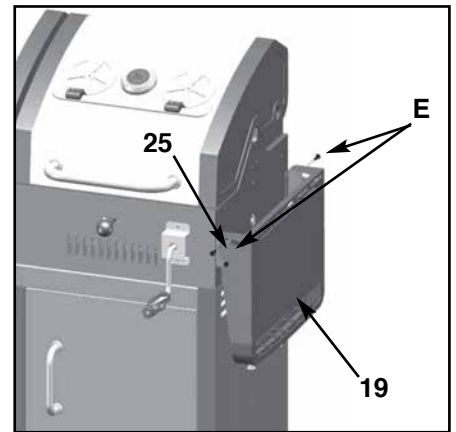
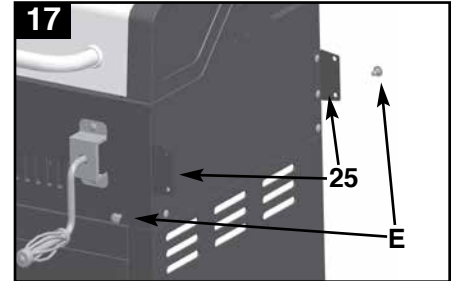


ASSEMBLY INSTRUCTIONS

Step 17: First, Secure 2 shoulder screws (E) into holes of side table supports (25) as shown. Secure side table (19) onto side table support (25) by tightening 2 shoulder screws (E) into holes as shown. Repeat step with the other side table.

Hardware Used

E M6 Shoulder Screw Qty: 8 pcs



⚠ WARNING: IT IS VERY IMPORTANT TO CHECK AND ENSURE THAT EACH AND EVERY BURNER IS FULLY ENGAGED WITH THE ADJACENT VALVE ORIFICE BEFORE COMPLETING STEP 18. FAILURE TO DO SO MAY RESULT IN FIRE OR EXPLOSION, POSSIBLY CAUSING SERIOUS INJURY OR DEATH. REFER TO MAINTENANCE SECTION INSTRUCTIONS TO PROPERLY CHECK THE ENGAGEMENT.

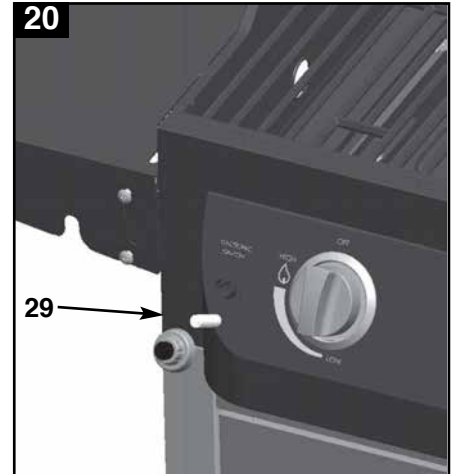


Step 18: Place the heat tent (28) into gas grill body (24).

Step 19: Place the cooking grate (27) into the grill body (24), then attach the warming rack (26) onto the grill body (24).
 Note: The warming rack (26) inserts into the four holes that are on both sides of grill body (24).

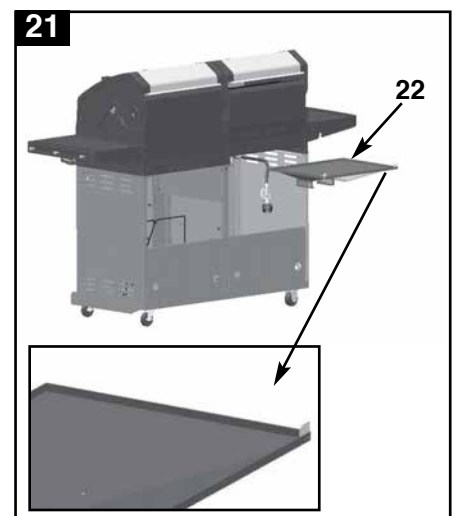
ASSEMBLY INSTRUCTIONS

Step 20: Unscrew the igniter cap and insert the AAA battery (29) into the igniter body with positive '+' end facing out. Replace the igniter cap.

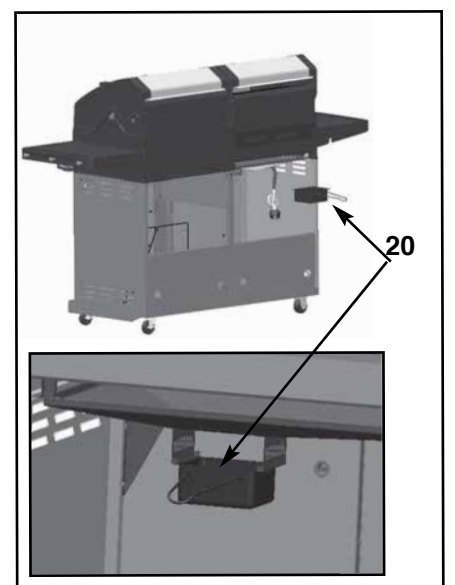


Step 21: Insert the grease pan (22) into position by sliding it in the gas grill body from the rear (as illustrated) along the rails located just below the underside of grill body.

NOTE: Grease pan MUST be in position as illustrated below (grease cup support rails on your left while facing the rear of the grill).



Insert grease cup (20) into position by sliding it onto the support rails on the bottom side of grease pan.

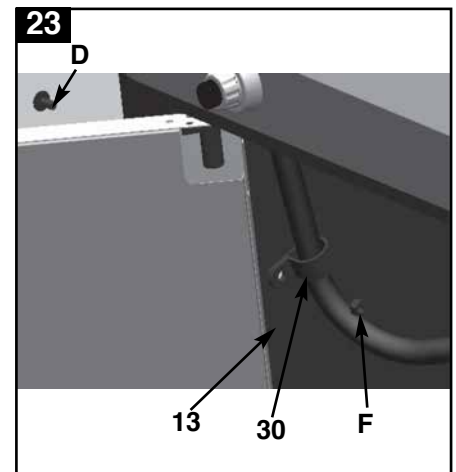


ASSEMBLY INSTRUCTIONS



Step 22: Insert the charcoal pan (21) into the support rails on the bottom of charcoal grill body.



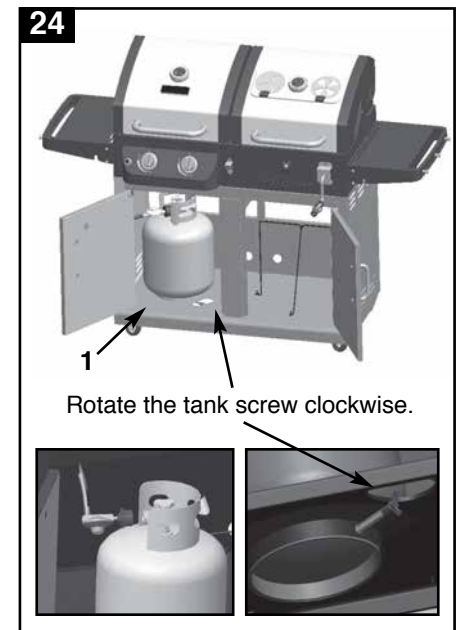
Step 23: Secure gas hose and LP gas hose holder (30) assembly onto cart left side panel assembly (13) by tightening one M4x12 screw (D) and one M4 nut (F) into hole into cart left side table. NOTE: The LP gas hose holder (30) must completely circle the gas hose before securing onto cart left side panel (13) as illustrated.



Hardware Used

D	M4x12 Screw	Qty: 1 pcs	
F	M4 Nut	Qty: 1 pcs	

Step 24: Open the cart door assembly (15 & 14) and insert the LP gas cylinder (sold separately) into the nesting hole located in the bottom shelf (1). Align the hand screw coupling of the hose/regulator with the threaded valve of the cylinder by turning the LP gas cylinder until positioned correctly. Hand tighten the hose/regulator coupling to the threaded valve of the LP gas cylinder. Tighten the tank screw until the cylinder is secure inside the nesting hole of the bottom shelf (1).

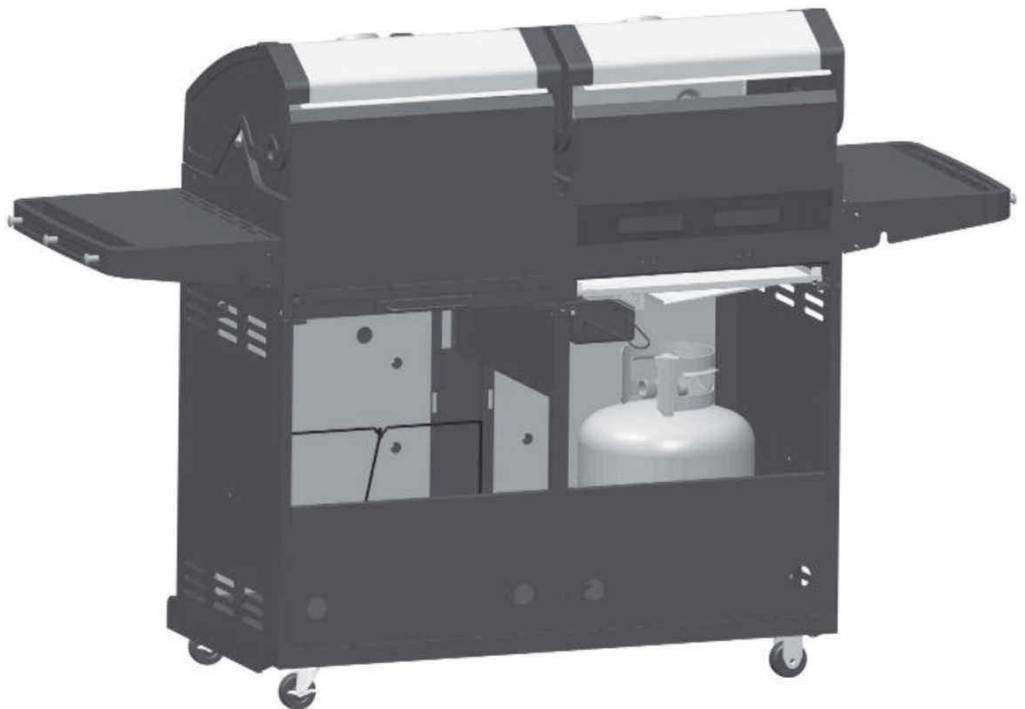


ASSEMBLY INSTRUCTIONS

Fully Assembled Grill



Front View



Rear View

OPERATION INSTRUCTIONS FOR GAS BURNERS

⚠ CAUTION

Only use the regulator and hose assembly provided! If a replacement is necessary, please call our customer service center. Do not use replacement parts that are not intended for this grill.

Connecting Gas Cylinder:

CONNECTING GAS CYLINDER

The propane gas supply cylinder to be used must be constructed and marked in accordance with the Specifications for LP Gas Cylinders of the U.S. Department of Transportation (D.O.T.) or the National Standard of Canada, CAN/CSA-B339, Cylinders, Spheres and Tubes for Transportation of Dangerous Goods; and Commission, as applicable; and Provided with a listed overfilling prevention device.

Use only 20-pound cylinders (Height 17.75 in./450.85mm, Diameter tank 12 in./304.80mm, Diameter foot 8 in./203.20mm) equipped with a cylinder connection device compatible with the connection for outdoor cooking appliances. The cylinder must include a collar to protect the cylinder valve. The gas cylinder should not be dropped or handled roughly!

If the appliance is not in use, the gas cylinder must be disconnected. Storage of an appliance indoors is permissible **ONLY** if the cylinder is disconnected and removed from the appliance. Cylinders must be stored outdoors out of the reach of children and must not be stored in a building, garage or any other enclosed area. Your cylinder must never be stored where temperatures can reach over 125°F.

Place dust cap on cylinder valve outlet whenever the cylinder is not in use. Only install the type of dust cap on the cylinder valve outlet that is provided with the cylinder valve. Other types of caps or plugs may result in leakage of propane.

Before connection, be sure that there is no debris caught in the outlet of the gas cylinder, outlet of the regulator valve or in the outlet of the burner and burner ports. Connect regulator valve and hand-tighten firmly. Keep the propane cylinder valve closed and disconnect the propane cylinder from the regulator valve when the grill is not in use.

DO NOT obstruct the flow of combustion air and ventilation air to the grill. The propane cylinder must be arranged for vapor withdrawal and equipped with a listed overfilling prevention device. Please use the proper cylinder orientation to provide vapor withdrawal. **NOTE:** The cylinder must be fully upright for the cylinder to have vapor withdrawal only.



Correct



Wrong



Wrong

OPERATION INSTRUCTIONS FOR GAS BURNERS

⚠ CAUTION

- Do not store a spare LP-gas cylinder under or near this appliance.
- Never fill the cylinder beyond 80 percent full.
- If the information in (a) and (b) is not followed exactly, a fire causing death or serious injury may occur.

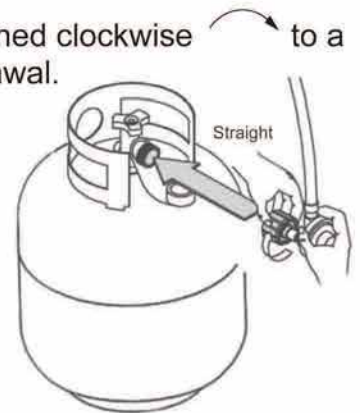
NOTE: Other cylinders may be acceptable for use with this appliance provided they are compatible with the appliance nesting hole and retention means. Refer to Step 24 of the Assembly Instructions for correct cylinder to cylinder holder connection.

⚠ WARNING

ALL INSTRUCTIONS AND SAFEGUARDS ON THIS PAGE MUST BE FOLLOWED TO PREVENT FIRE, DAMAGE AND/OR INJURY.

CONNECTING THE LP TANK

- The knob on the LP tank must be closed. Make sure that the knob is turned clockwise to a full stop. The cylinder supply system must be arranged for vapor withdrawal.
- Check that the control knob on the control unit is turned **OFF**.
- Remove the protective cap from the LP tank valve and coupling nut.
- Hold the regulator in one hand and insert the nipple into the valve outlet. Be sure the nipple is centered in the valve outlet. The coupling nut connects to the large outside threads on the valve outlet. Use care – do not cross thread the connection.
- Hand-tighten the coupling nut clockwise until it comes to a full stop. Firmly tighten by hand only. Do not use tools.



To Disconnect: Fully close the tank valve by turning clockwise. Turn the coupling nut counterclockwise until the regulator assembly detaches.

⚠ WARNING

In the connection process, make sure:

- the regulator inlet connector mates with the cylinder valve outlet properly, safely and firmly, and;
- the LP-Gas hose does not come in contact or remain in contact with the firebox.

OPERATION INSTRUCTIONS FOR GAS BURNERS

CHECKING FOR LEAKS

After all connections are made, check all connections and fittings on the LP gas tank valve, gas hose and regulator for leaks with a water and soap solution.

To prevent fire or explosion while testing for a leak:

- Always perform leak test prior to lighting the grill.
- Do not smoke while testing for a leak.
- Always perform leak tests outdoors in a well ventilated area.
- Do not use any source of flame while testing for leaks.
- Do not use the grill until any and all leaks are corrected.
- If you are unable to correct a leak, disconnect the propane supply and call a gas appliance service dealer.

PERFORM LEAK TEST

- Prepare leak test solution by combining 1 part liquid dish soap with 3 parts water. Total solution required is approximately 2-3 oz. (70-90ml.). Put leak test solution in a spray bottle.
- Ensure all control knobs are in the **○ OFF** position.
- Open LP gas tank valve.
- Spray leak test solution on all gas carrying connections and fittings. Presence of bubbles at areas of applied test solution indicates a gas leak. If leaks are detected or you smell or hear gas, shut off the LP gas tank immediately and repair or replace the defective part. Do not use the grill until all leaks are corrected.

Lighting the Gas Grill

BEFORE FIRST USE

Remove all hangings or plastic straps, if present.



Before you cook on your new gas grill, it is important to clean your grill with heat. To do this, operate the grill for approximately 15 minutes with the lid closed and all main burner control knobs in the highest position. This will clean the internal parts by burning off any residue and odor from the manufacturing process. NOTE: Burn off is NOT necessary for side burner.

⚠ CAUTION: If the flame extinguishes accidentally during ignition or operation, immediately TURN OFF the cylinder valve and then TURN OFF the control knobs.

OPERATION INSTRUCTIONS FOR GAS GRILL

GAS GRILL LIGHTING INSTRUCTIONS

⚠ Warning: Do not lean over grill when lighting. Read instructions before lighting.


1. Check that the control knobs are in the **○ OFF** position.
2. Open valve at tank fully by turning  counter-clockwise.
3. Open lid during lighting.
4. Push igniter down 3 to 4 seconds while turning right side control knob to the  **HIGH** position.
The burner should ignite.
5. Repeat for all other burners.
If ignition does not take place within 5 seconds, immediately turn the control knob to the **○ OFF** position. Wait 5 minutes and repeat step 4 above or refer to match lighting instructions.

If the burner still does not light, check that there is gas in the cylinder and follow the match lighting instructions.

OPERATION INSTRUCTIONS FOR GAS GRILL

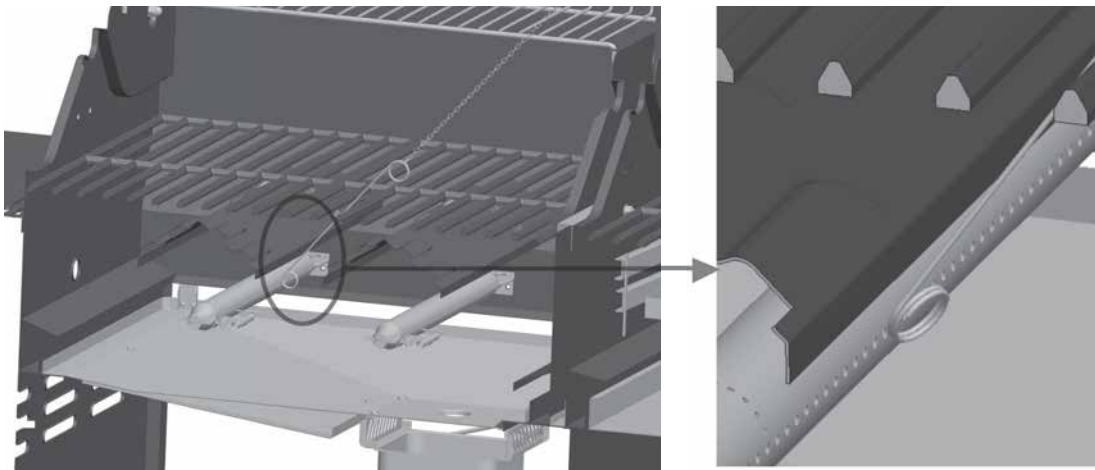
LIGHTING THE GAS GRILL WITH A MATCH

⚠ Warning: Do not lean over grill when lighting. Read instructions before lighting.

1. Open the lid
2. Insert a match in the end of the match holder that is installed on the inside of the cabinet door.
3. Light the match.
4. Immediately place the lit match through the spaces in the grill gates near the ports of the burner between the heat tents as shown. Make sure the lit match is close to the burner ports.
5. Press in the control knob that operates the burner and rotate ↶ counter-clockwise to  High position and burner should light immediately.
6. Repeat 2~5 steps to lighting the remaining burners.
7. Adjust burners to desired cooking settings.


⚠ CAUTION

Make sure all burner controls are off, except for the burner being lit and the burners that have been lit.



Lighting the gas grill with the match holder.

SHUTDOWN INSTRUCTIONS

1. Turn control knobs clockwise ↷ to the  OFF position.
2. Close valve at tank fully by turning clockwise. ↷
3. Close lid.

Turn off LP supply at cylinder when appliance is not in use.

OPERATION INSTRUCTIONS FOR CHARCOAL GRILL

Lighting the Charcoal Grill

⚠ DANGER

CARBON MONOXIDE HAZARD

Burning charcoal inside can kill you. It gives off carbon monoxide, which has no odor. NEVER burn charcoal inside homes, garages, vehicles, or tents.

⚠ Warning: Do not lean over grill when lighting. Read instructions before lighting.

You can begin cooking when briquettes have a light coating of grey ash (approx. 25-30 minutes).

Adjusting Temperature

This grill has an adjustable charcoal tray. By turning the crank handle, the charcoal tray can be raised or lowered to desired height. This allows for different heat settings depending on the food you are cooking and the temperature you want to cook at. It also allows easy cleaning of the interior of the firebox after the unit has cooled down completely. It is not recommended to raise a fully loaded charcoal tray higher than the middle height setting.

NOTE: The grate is coated with porcelain which is a fragile coating. Handle with care to avoid damage. Do not cool the grate in cold water while it is still hot or the coating may crack. Let the grate cool off by itself.

For maximum heat/temperature, open both louvered air vents located on the grill lid as required. To reduce the heat/temperature, close the air vents.

NOTE: The proper cooking temperature should not go above 500°F. If the temperature goes above 500°F, close the air vents until temperature drops to 500°F or lower and the next time you grill, reduce the quantity of briquettes that you place in the charcoal tray.

Seasoning Unit

1. Before your first cooking you should season the unit to enhance the cooking and to provide better overall durability. Failure to properly follow these steps may damage the finish and/or impart metallic flavors to your foods.
2. Remove all retail hangtags that are on the unit, making sure NOT to remove safety markings from the unit.
 - SEASON UNIT: before first cooking, place about 40 briquettes in the charcoal pan. Do not place any briquettes against walls of the pan.
 - Coat interior surfaces of *charcoal grill only* with vegetable cooking oil.
 - Light briquettes and set ash pan at medium height by cranking the crank handle.



Dual Fuel Grill

OPERATION INSTRUCTIONS FOR CHARCOAL GRILL

- Sustain burn for about two hours with lid closed and all dampers to 1/4 open. Allow the unit to cool down properly.
- Once this is completed, the unit is ready for use.

Rust can appear on the inside of your grill. Maintaining a light coating of vegetable oil on interior surfaces will aid in the protection of your grill. Exterior surfaces of the grill may need occasional touch up. We recommend the use of commercially available black high temperature spray paint. NEVER PAINT THE INTERIOR OF THE UNIT!

⚠ WARNING: These metal parts could be very hot while grilling. Always operate these parts while wearing a heat-resistant glove.


Grilling

Charcoal is recommended as the fuel source for grilling, placed and ignited on the charcoal pan. Do not build too large of a fire. We recommend starting a fire with no more than 3 pounds of charcoal (approximately 55 briquettes) and adding more as needed during cooking. After allowing the fire to burn down, place the cooking grates in the unit. Failure to read and follow instructions for lighting charcoal may result in serious personal injury and or property damage.

CARE AND MAINTENANCE


Cooking Grates

The best time to 'burn-off' the cooking grates is after every use (approx. 15 minutes). The grill is already hot from cooking thus requiring less fuel to obtain necessary temperature for 'burn-off'.

To "Burn Off" or heat clean your grill, turn the burners to highest position  and run for 15 minutes with the lid closed. Then turn off the burners and use a wire brush to clean excess food residue from the grates. NOTE: "Burn Off" is NOT necessary for side burner.

The porcelain grates have an enamel finish (similar to glass) and should be handled with care not to chip.

Other Parts

 **CAUTION:** Ensure the grill is cool before cleaning and conducting maintenance and with the gas supply turned off at the LP-Gas cylinder.

The electronic ignition requires one "AAA" alkaline battery, which is included.

!WARNING

DO NOT mix old and new batteries.

DO NOT mix alkaline, standard (Carbon-Zinc), or rechargeable (Nickel-Cadmium) batteries.

DO NOT dispose of batteries in fire. Improper disposal may cause batteries to leak or explode.

Recommended Cleaning Supplies

Mild liquid dish soap, warm water, nylon cleaning pad, wire brush

DO NOT use cleaners that contain acid, mineral spirits or any abrasive substance.

Outside Surfaces

It is recommended to use only mild dish soap and hot water to clean grill and grill parts.

Rinse with warm water.

Inside Bottom Pan of Grill Body

To avoid flare-ups, the bottom pan of the cooking box should be kept clean on a regular basis.

Remove residue using a brush, scraper and/or cleaning pad. Wash with mild dish soap and warm water. Rinse with warm water. Avoid water splashing into vent tubes of burners.

Heat Tents

Clean residue with wire brush and wash with mild dish soap and warm water. Rinse with warm water.

Grease Cup

Empty the grease cup and clean with mild dish soap and warm water on a regular basis.

CARE AND MAINTENANCE

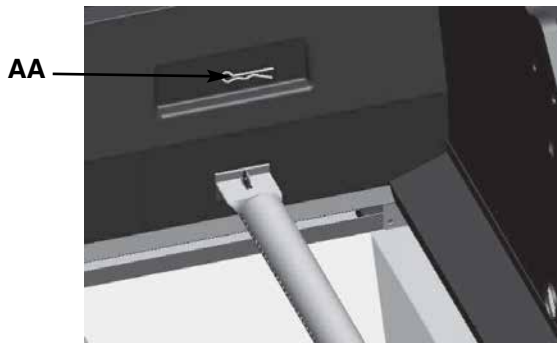
Burner Assembly

Removing the Gas Burner Assembly

1. Make sure all control knobs are in the **OFF** position, LP tank valve is closed, and the tank is disconnected from regulator and removed from grill.
2. Open lid and remove warming rack, cooking grates, and heat tents.



3. Remove hinge pins (labeled as AA in figure below).



4. Remove screws (labeled as BB in figure below).



CARE AND MAINTENANCE

Burner Assembly

Cleaning the Burner Assembly - Make sure the grill is cool

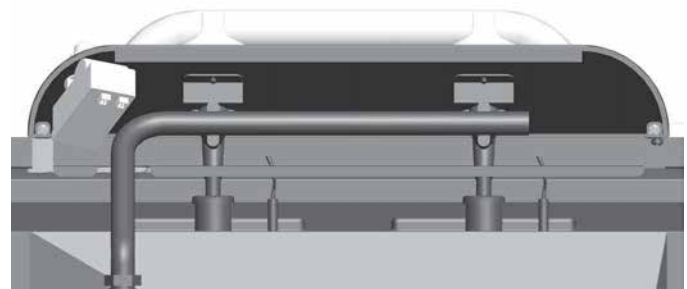
1. Ensure all burner ports are clear of clogs. Use of a pin or paper clip works well.
2. Ensure burner is free of any damage. If damage is found, replace with new burner.
3. Ensure the end of the burner and primary air screen are clear from insect nests, dirt or debris.

Re-installing the Burner

- Ensure the gas valve orifices are correctly positioned inside burner inlet (venturi).
- The use of a flashlight may be necessary to ensure the correct position.
- It is recommended to view the correct position through the firebox vent holes as illustrated.



View the correct position from the bottom of firebox.



Bottom View



Correct



Wrong



Wrong

⚠ WARNING: If the instructions above are not followed, a fire or explosion may result, possibly causing serious bodily injury or death.

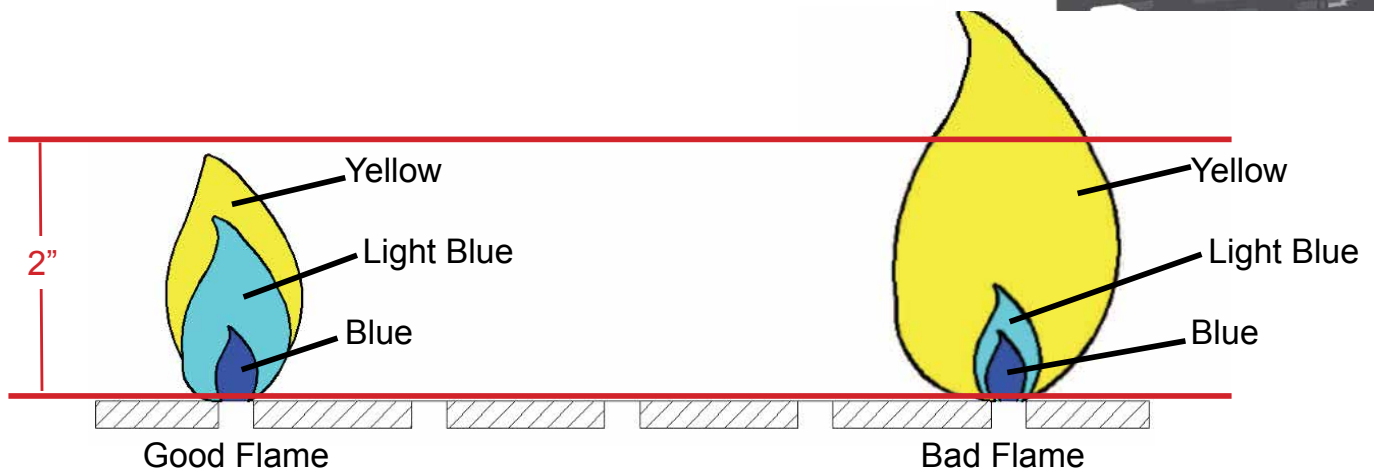
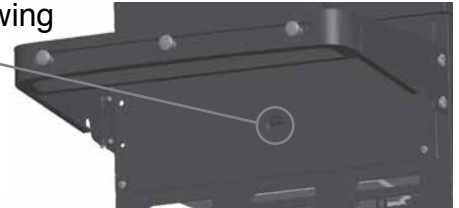
CARE AND MAINTENANCE

Checking The Flame

For maximum fuel efficiency and cooking performance, flame should be a blue-yellow color and be between 1- 2 inches high.

To check the flame, view the flame through the hole in the left side of the firebox as shown.

Hole for viewing the flame



Other Care and Maintenance

It is recommended that inspection and service on this appliance be conducted annually by a qualified service person.


It is recommended that you regularly check that the outdoor cooking appliance area is clear and free from combustible material, gasoline and other flammable vapors and liquids.

It is recommended that you regularly check that the flow of combustion and ventilation air is not obstructed.

It is recommended that you regularly check that the ventilation openings of the cylinder enclosure (cabinet) are free and clear from debris.

It is recommended that you regularly check and clean the burner/venturi tubes for insects and insect nests. A clogged tube can lead to a fire beneath the grill.

TROUBLESHOOTING

Problem	Possible Causes	Possible Solutions
<p>No gas flow or an obstructed gas flow.</p>	<ul style="list-style-type: none"> • Tank valve not on or fully opened. • Empty tank. • Poor connection between valve regulator and LP cylinder coupling. • Burner inlet blocked. 	<ul style="list-style-type: none"> • Fully open tank valve by turning counterclockwise  . • Check fuel level and replace fuel if necessary. • Turn off grill knobs, close the LP cylinder valve at top of cylinder and check the connection between the regulator valve and cylinder coupling. Disconnect and reconnect, if necessary. • Clean the burner inlet (venturi) and burner as described by the Care and Maintenance section in the Manual.
<p>The burner will not light using the ignitor procedure (weak or no spark being generated).</p>	<ul style="list-style-type: none"> • The ignition electrode may be covered with grease or residue. • The ignition electrode may have a loose or disconnected wire. • Cracked or broken ignition electrode. • Dead battery or faulty battery connection. 	<ul style="list-style-type: none"> • Turn control knobs to the off position and clean the ignition electrode with rubbing alcohol and cotton swab. • Check the connection and reconnect any loose or disconnected wires. • Replace ignition electrode (see Replacement Parts List). • Perform any of the following: <ol style="list-style-type: none"> a. Replace battery b. Check to see if battery is inserted correctly. c. Check for any corrosion around battery terminals. d. Check wire connections as stated above.

TROUBLESHOOTING

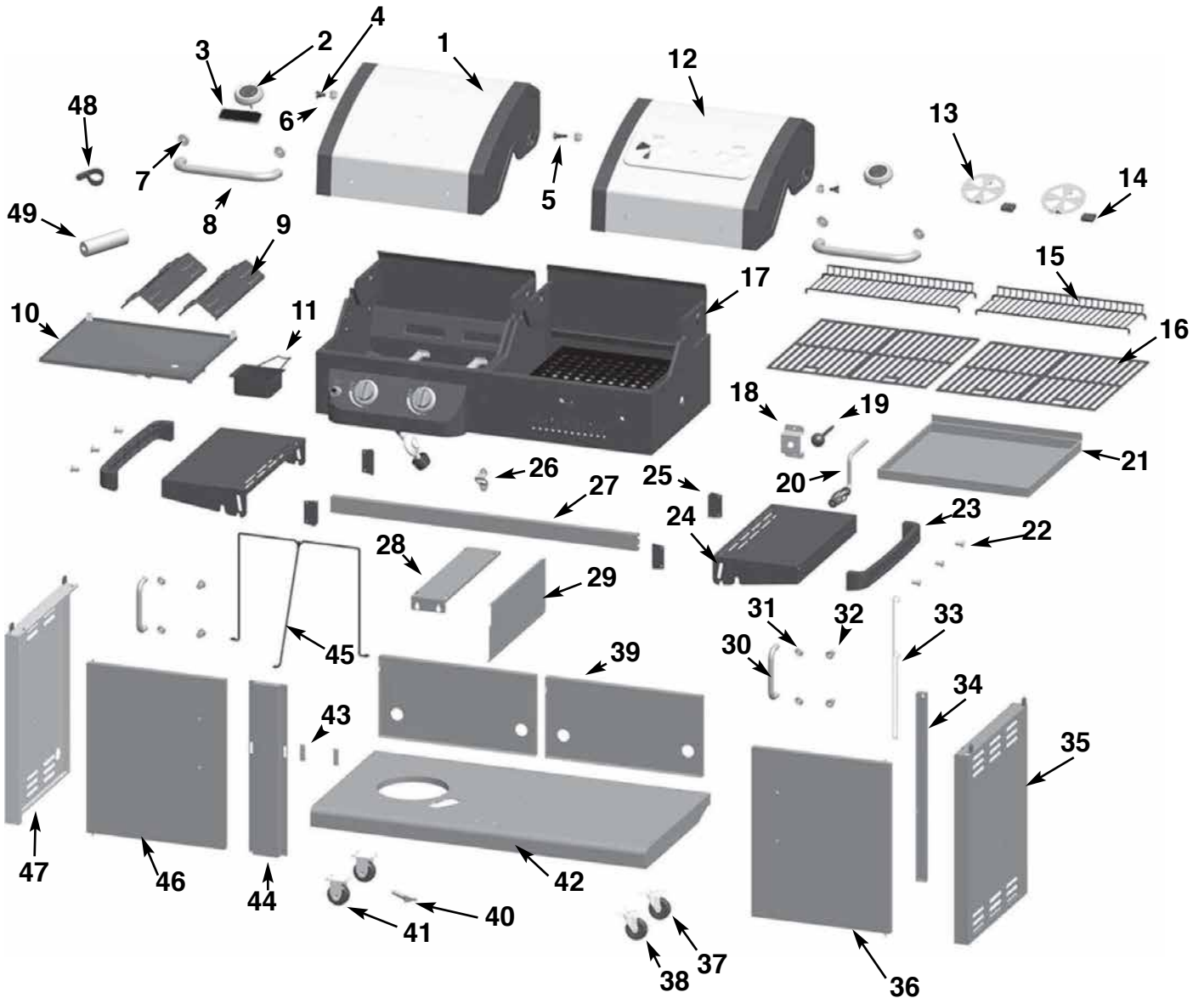
Problem	Possible Causes	Possible Solutions
<p>The burner will not light with a match.</p>	<ul style="list-style-type: none"> • Match not reaching burners (when holding match with hand). • Empty tank. • Poor connection between valve regulator and LP cylinder coupling. • Burner inlet blocked. 	<ul style="list-style-type: none"> • Use match holder found in cabinet door. • Check fuel level and refill tank if necessary. • Turn off grill knobs, close the LP cylinder valve at top of cylinder and check the connection between the regulator valve and cylinder coupling. Disconnect and reconnect, if necessary. • Clean the burner inlet (venturi) and burner as described by the Care and Maintenance section in the Manual.
<p>Low Heat.</p>	<ul style="list-style-type: none"> • The LP-Gas regulator is equipped with an excess flow device that allows sufficient gas to the burners under normal circumstances. Rapid changes in pressure can trigger this device and prevent all but minimal flow of gas to the burner, causing a low flame and low heat output. This is typically caused by the LP-Gas cylinder valve being turned open when one or more burner valves (control knobs) is in the open position causing a surge of pressure that activates the excess flow device. 	<ul style="list-style-type: none"> • Follow these steps: <ol style="list-style-type: none"> 1. Close the LP-Gas cylinder valve on the top of the cylinder. 2. Make sure the burner valves are in the “OFF” position. 3. Slowly open the LP-Gas cylinder valve and wait 10 seconds. 4. Follow the lighting instructions.

TROUBLESHOOTING

Problem	Possible Causes	Possible Solutions
Excessive flare-ups.	<ul style="list-style-type: none">• Grease and/or residue build-up on heat tents or in firebox.• Excessive dripping of fat or marinade from food.• Cooking temperature too high.	<ul style="list-style-type: none">• Clean the grill components.• Trim the fat from meat and use non-oil based marinades.• Lower temperature accordingly.

REPLACEMENT PARTS

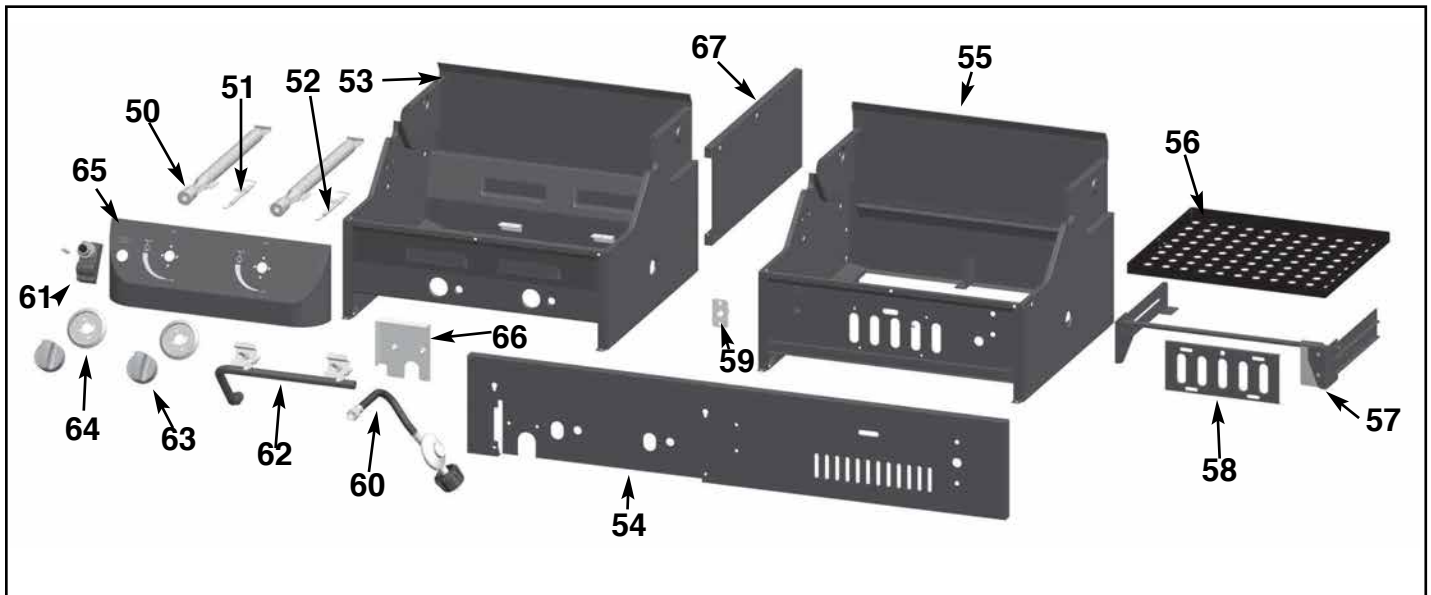
For replacement parts, call our customer service department at 1-877-447-4768,
8:30 a.m. – 4:30 p.m., CST, Monday – Friday



REPLACEMENT PARTS

For replacement parts, call our customer service department at 1-877-447-4768,
8:30 a.m. – 4:30 p.m., CST, Monday – Friday

17 Complete Sub-Assembly



DYNA-GLO DUAL FUEL GRILL - MODEL #DGB730SNB/DGP730SNB-D

Diag. Ref #:	Part Description	Warranty Part #
1	Grill lid assembly-gas grill	144-02001
2	Temperature gauge with nut	104-12005
3	Badge-Dyna-Glo	104-22006
4	Lid pivot pin-left and right	104-12002
5	Lid pivot pin-middle	144-22002
6	Cap nut-specially secures lid pivot pin	104-12001
7	Lid handle bezel	104-12004
8	Lid handle	104-12003
9	Heat tent	144-13003
10	Grease pan	144-04013
11	Grease cup	104-04014
12	Grill lid assembly-charcoal grill	154-02001
13	Lid damper in the charcoal Lid outer	154-12001
14	Lid damper handle-charcoal	154-12002
15	Warming rack	144-13001
16	Cooking grate	144-13002



Dual Fuel Grill

REPLACEMENT PARTS

DYNA-GLO DUAL FUEL GRILL - MODEL #DGB730SNB/DGB730SNB-D - Continued

17	Firebox assembly - includes burners/LP gas valve & manifold assembly/LP gas hose & regulator/control panel/ignition wire/ electrode/charcoal tray.	144-03001
18	Charcoal tray adjustment handle bezel	154-13001
19	Charcoal door front damper handle	154-13002
20	Charcoal tray adjustment handle	154-13003
21	Ash pan	154-13104
22	Tool hook	104-14002
23	Tower bar	104-14001
24	Side table	104-04001
25	Side table support	104-04003
26	Bottle opener	144-14004
27	Upper front door brace	144-04011
28	Cart middle cross beam	144-14001
29	Heat shield	144-14002
30	Door handle	104-14021
31	Door handle bezel	104-14022
32	Door handle sleeve	104-14023
33	Match holder	104-14024
34	Cart rear vertical beam	144-14003
35	Cart right side panel	144-04010
36	Right door assembly	144-04020
37	Locking swivel caster - Includes 4 screws/flat washers/spring washers	104-04019
38	Non-locking swivel caster - Includes 4 screws/flat washers/spring washers	104-04017
39	Cart rear panel	144-04008
40	LP cylinder retention screw	104-04012
41	Direction caster - Includes 4 screws/flat washers/spring washers	104-04018
42	Bottom panel	144-04006
43	Door magnet	104-14020
44	Cart front vertical beam	144-54020
45	LP cylinder exclusion	144-14006
46	Left door assembly	144-44020
47	Cart left side panel	144-04009
48	Hose holder	104-04007
49	AAA battery (1.5V)	102-05002
50	Main burner-with cotter pin	104-13011
51	Ignition electrode A-with short ignition wire	144-13012
52	Ignition electrode B- with long ignition wire	144-23012
53	Firebox assembly-gas	144-13004
54	Firebox front outer panel	144-13005

REPLACEMENT PARTS

DYNA-GLO DUAL FUEL GRILL - MODEL #DGB730SNB/DGB730SNB-D - Continued

55	Firebox assembly-charcoal	154-13004
56	Charcoal tray	154-23001
57	Charcoal tray adjustment arm assembly	154-23002
58	Front Damper (charcoal grill control panel)	154-23003
59	Threaded mount for charcoal tray adjustment crank	154-23004
60	LP gas hose and regulator assembly	104-13014
61	Electronic ignition	144-13007
62	LP gas valve & manifold	144-13006
63	Control knob bezel	104-13009
64	Control knob	104-13010
65	Control panel	144-13008
66	Heat shield for electronic ignition	144-13013
67	Firebox divider panel	144-33006
n/a	Hardware pack	144-05001
n/a	Instruction Manual	70-10-020



Dual Fuel Grill

LIMITED WARRANTY

Item Name: Dual Fuel Grill
Model #: DGB730SNB/DGB730SNB-D
Rated BTU: 24,000 BTU/Hr

This Dual Fuel Grill is warranted against broken or damaged parts at the time of purchase. All parts carry a one (1) year limited warranty. Paint is warranted to be free of defects for 90 days except for rust, which may appear after repeated use.

This warranty does not cover damage or issues related to neglect, abuse or modifications to the appliance. Repair labor is not covered.

All parts that meet the warranty requirements will be shipped at no charge via the discretion of GHP Group Inc. (ground shipments, US Mail or Parcel Post ONLY). Any special handling charges (i.e. Second Day, Over night, etc.) will be the responsibility of the consumer.

All warranty claims apply only to the original purchaser and require a proof of purchase verifying purchase date. Do not return parts to the GHP Group Inc. address without first obtaining a return authorization number from our customer service department. This service is available by calling toll free: 1-877-447-4768, 8:30 am to 4:30 pm CST, Monday through Friday.

Some states do not allow the exclusion or limitation of incidental or consequential damages or limitations on how long an implied warranty lasts, so the above limitations or exclusions may not apply to you. This warranty gives you specific legal rights, and you may have other rights that vary from state to state.

GHP Group Inc.
8280 Austin Avenue
Morton Grove, IL USA 60053-3207
Toll Free: 1-877-447-4768

GUIDE D'UTILISATION ET MODE D'EMPLOI



C US

ANS Z21.58b-2012 CSA1.6b-2012
Appareil extérieur de cuisson au gaz

Assembleur ou installateur : Le présent manuel contient des renseignements importants qui permettent d'assembler l'appareil de façon adéquate et de l'utiliser en toute sécurité. Avant d'assembler et d'utiliser cet appareil, lisez et suivez tous les avertissements ainsi que toutes les instructions. **Remettez ces instructions au consommateur.**

Consommateur ou utilisateur : Lorsque vous utilisez cet appareil, suivez tous les avertissements et toutes les instructions. **Veillez conserver les présentes instructions aux fins de consultation ultérieure.**



DANGER :

S'il y a une odeur de gaz:

1. **Coupez l'admission de gaz de l'appareil.**
2. **Éteindre toute flamme nue.**
3. **Ouvrir le couvercle.**
4. **Si l'odeur persiste, éloignez-vous de l'appareil et appelez immédiatement le fournisseur de gaz ou le service d'incendie.**



AVERTISSEMENT :

1. Ne pas entreposer ni utiliser de l'essence ni d'autres vapeurs ou liquides inflammables dans le voisinage de l'appareil, ni de tout autre appareil.
2. Une bouteille de propane qui n'est pas raccordée en vue de son utilisation, ne doit pas être entreposée dans le voisinage de cet appareil ou de tout autre appareil.
3. Ce barbecue est conçu pour usage à l'extérieur seulement. Ne pas utiliser ni entreposer la bouteille dans un bâtiment, un garage, un auvent ou un endroit fermé.
4. Ne laissez pas un barbecue allumé sans surveillance. Gardez le barbecue hors de la portée des enfants et des animaux en tout temps.

Des questions, des problèmes, des pièces manquantes? Avant de retourner l'article au détaillant, appelez notre service à la clientèle au 1 877 447-4768, entre 8 h 30 et 16 h 30 (HNC), du lundi au vendredi, ou écrivez-nous à customerservice@ghpgroupinc.com.



IL N'EST PAS NÉCESSAIRE DE RETOURNER CE PRODUIT AU DÉTAILLANT

Vous avez des questions sur l'assemblage?
Vous avez besoin de renseignements sur les pièces?
Vous avez des questions sur la garantie du fabricant?

Numéro de téléphone sans frais : 1 877 447-4768
Entre 8 h 30 et 16 h 30 (HNC), du lundi au vendredi

**Conservez ce guide d'utilisation pour vous y référer ultérieurement
ainsi qu'une preuve d'achat**

Aidez-nous à vous aider

Veillez remplir les renseignements ci-dessous :

Date d'achat

Lieu de l'achat

Numéro de modèle

Numéro de série

VOUS TROUVEREZ LE NUMÉRO DE MODÈLE ET LE NUMÉRO DE SÉRIE
SUR L'ÉTIQUETTE DE VOTRE BARBECUE.

TABLE DES MATIÈRES

Consignes de sécurité	2
Contenu de l'emballage	5
Liste illustrée des pièces	6
Quincaillerie incluse	6
Instructions pour l'assemblage	8
Mode d'emploi	22
Entretien	29
Dépannage	33
Liste des pièces de rechange	36
Garantie	40



CONSIGNES DE SÉCURITÉ

Assurez-vous de lire et de comprendre l'intégralité de ce manuel avant de tenter d'assembler, d'installer ou d'utiliser le produit. Si vous avez des questions concernant ce produit, veuillez téléphoner au service à la clientèle au 1 877 447-4768, entre 8 h 30 et 16 h 30 (HNC), du lundi au vendredi.

- Ce barbecue est conçu pour une utilisation extérieure seulement, dans un endroit bien aéré.
- Gardez un extincteur de classe B près de cet appareil en tout temps.
- ÉVITEZ d'entreposer ou d'utiliser de l'essence ou tout autre liquide ou vapeur inflammable à une distance de moins de 8 m (25 pi) de cet appareil ou de tout autre appareil.
- Toute bouteille de gaz de pétrole liquéfié qui n'est pas raccordée et prête à utiliser doit être entreposée à une distance d'au moins 3 m (10 pi) de cet appareil ou de tout autre appareil.
- N'utilisez PAS l'appareil près ou sous des matériaux inflammables ou combustibles comme une terrasse, une véranda ou un abri d'auto. Un dégagement minimal de 92 cm (36 po) est recommandé. N'utilisez PAS l'appareil sous une construction.
- Les matériaux combustibles doivent être tenus à une distance d'au moins 92 cm (36 po) des côtés et de l'arrière de l'appareil.
- Le barbecue au gaz propane ne doit être utilisé qu'avec du gaz propane (bouteille de gaz propane non incluse).
- Ne tentez jamais de raccorder ce barbecue au système autonome d'alimentation en gaz propane d'un bateau, d'une caravane, d'une autocaravane ou d'une résidence.
- N'utilisez jamais de liquide d'allumage pour charbon afin d'allumer le barbecue au gaz.
- N'utilisez pas d'essence, de kérosène ni d'alcool pour l'allumage. La bouteille de gaz de pétrole liquéfié fournie avec cet appareil doit être :
 - a) fabriquée et identifiée conformément aux normes pour les bouteilles de gaz de pétrole liquéfié du U.S. Department of Transportation (D.O.T.) ou à la norme nationale du Canada et instructions CAN/CAS-B339, « Bouteilles et tubes utilisés pour le transport des marchandises dangereuses », le cas échéant;
 - b) munie d'un dispositif de protection contre les débordements;
 - c) munie d'un dispositif de raccord de bouteille compatible avec le raccord des appareils de cuisson à l'extérieur. Ce barbecue n'est pas destiné à être utilisé ou installé sur un véhicule récréatif ou un bateau.
- N'utilisez PAS cet appareil à un autre usage que celui pour lequel il est destiné. Il n'est PAS conçu pour une utilisation commerciale.
- Ne tentez pas de déplacer le barbecue lorsqu'il est allumé, chaud, en fonctionnement ou lorsque les cendres sont encore chaudes. Verrouillez toujours les roulettes avec frein lorsque vous ne déplacez pas le barbecue.
- Ne laissez PAS les cendres chaudes sans surveillance jusqu'à ce que le barbecue soit complètement refroidi.
- N'utilisez PAS cet appareil comme appareil de chauffage.
- Utilisez l'appareil sur une surface stable, de niveau et ininflammable comme l'asphalte, le ciment ou le sol. N'utilisez PAS l'appareil sur des matériaux inflammables comme de la moquette ou une véranda en bois.
- Faites attention lorsque vous assemblez et utilisez cet appareil afin d'éviter les coupures et les égratignures sur les rebords.
- N'utilisez pas le barbecue tant qu'il n'est pas complètement assemblé et que toutes les pièces ne sont pas fixées et serrées solidement.
- Faites attention lorsque vous soulevez et déplacez l'appareil afin d'éviter les maux de dos ou les blessures au dos.
- Maintenez tout objet ou toute surface combustible à une distance d'au moins 91,44 cm (36 po) du barbecue, et ce, en tout temps.
- N'utilisez pas le barbecue dans un endroit présentant un risque d'explosion. Assurez-vous que l'espace autour du barbecue est propre et exempt de matériaux combustibles, d'essence et d'autres vapeurs ou liquides inflammables.



CONSIGNES DE SÉCURITÉ

- Ne touchez pas les éléments en métal du barbecue avant que celui-ci ne soit complètement refroidi (environ 45 minutes) afin d'éviter les brûlures, à moins d'utiliser des articles de protection (poignées, gants, mitaines pour le barbecue, etc.).
- Ne modifiez ce barbecue d'aucune façon.
- Nettoyez et inspectez le tuyau avant chaque utilisation. Si vous constatez de l'usure ou de l'abrasion, ou s'il est coupé ou qu'il fuit, il est important de remplacer le tuyau avant de faire fonctionner l'appareil. Vous devez utiliser l'ensemble de tuyau de remplacement précisé par GHP Group, lequel est indiqué dans la liste des pièces de rechange de ce manuel.
- Éloignez le tuyau à gaz le plus loin possible des surfaces chaudes ou des débordements de graisse chaude.
- Ne laissez jamais une bouteille pleine dans une voiture exposée à la chaleur ou dans un coffre de voiture. La chaleur entraînera une augmentation de la pression du gaz, ce qui risque de faire ouvrir la soupape de sécurité et de laisser le gaz s'échapper.
- Assurez-vous que le compartiment du robinet du barbecue, ses brûleurs et les conduits d'aération sont toujours propres. Inspectez le barbecue avant chaque utilisation. N'entravez pas le flux de gaz ou d'air de la ventilation.
- L'alcool, les médicaments sous ordonnance et les médicaments vendus sans ordonnance peuvent affecter les facultés de l'utilisateur, l'empêchant d'assembler ce barbecue correctement ou de l'utiliser de manière sécuritaire.
- Ouvrez toujours le couvercle du barbecue lentement et avec précaution, car la chaleur et la vapeur emprisonnées qui s'en échappent peuvent causer des brûlures graves.
- Cuisez toujours votre nourriture sur le foyer à charbon après que la flamme s'est éteinte.
- Débarrassez-vous des cendres froides en les emballant dans du papier d'aluminium résistant et en les plaçant dans un contenant non combustible. Assurez-vous qu'il n'y a pas de matériau combustible dans le contenant ou près de celui-ci.
- Si vous devez vous débarrasser des cendres avant qu'elles aient complètement refroidi, retirez-les de l'appareil, conservez-les dans du papier d'aluminium résistant et trempez-les entièrement dans l'eau avant de les mettre dans un contenant non combustible.
- **Ne laissez pas un barbecue allumé sans surveillance. Gardez le barbecue hors de la portée des enfants et des animaux en tout temps.**
- Ne placez ce barbecue sur aucun type de table. Placez le barbecue sur une surface plane.
- N'utilisez pas ce barbecue dans des conditions de grands vents.
- Ne modifiez pas ce barbecue de façon à le combiner à d'autres articles pour l'intérieur ou l'extérieur, par exemple un comptoir ou un îlot de barbecue encastré.
- N'utilisez pas ce barbecue à l'intérieur.

PROPOSITION 65 DE LA CALIFORNIE

1. Les combustibles utilisés dans les appareils de chauffage au gaz ou à l'huile, ainsi que les produits de combustion, contiennent des produits chimiques reconnus par l'État de la Californie comme étant la cause de cancers, d'anomalies congénitales et d'autres problèmes liés aux fonctions reproductrices.
2. Cet appareil contient des produits chimiques, notamment du plomb et des composés de plomb, reconnus par l'État de la Californie comme étant la cause de cancers, d'anomalies congénitales et d'autres problèmes liés aux fonctions reproductrices. **Lavez-vous les mains après l'avoir manipulé.**



CONSIGNES DE SÉCURITÉ



AVERTISSEMENT

Ne placez pas le barbecue sous une construction combustible ou un auvent.
Les matériaux combustibles doivent être tenus à une distance d'au moins 914,4 mm (36 po) des côtés et de l'arrière de l'appareil.

Toutes les habilitations ci-dessus remarquables sont en ce qui concerne les structures ou la construction du bois combustibles. De plus grandes habilitations sont recommandées pour les structures ou la construction de vinyle.



REMARQUE : L'installation doit être effectuée conformément à la réglementation locale ou, en l'absence d'une telle réglementation, au National Fuel Gas Code, norme ANSI Z223.1/NFPA 54, au Code d'installation du gaz naturel et du propane (CSA B149.1) ou au Code d'entreposage et de manutention du propane (B149.2).

⚠ DANGER

RISQUE LIÉ AU MONOXYDE DE CARBONE

Le fait de faire brûler du charbon à l'intérieur peut vous tuer. Le charbon produit du monoxyde de carbone, un gaz sans odeur. Ne faites JAMAIS brûler du charbon à l'intérieur d'une maison, d'un garage, d'un véhicule ou d'une tente.

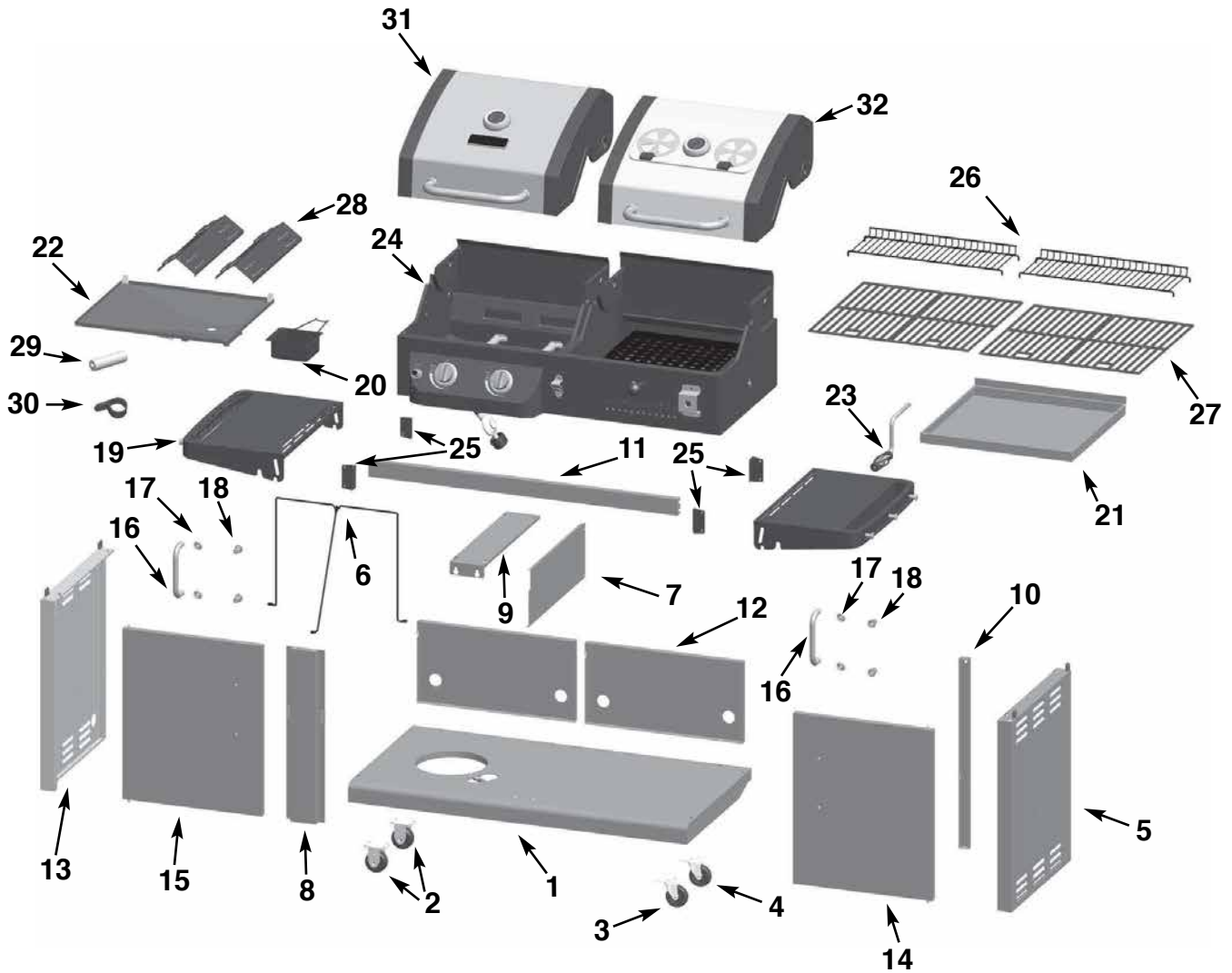
CONTENU DE L'EMBALLAGE

AVANT DE COMMENCER L'ASSEMBLAGE, DÉBALLEZ LES PIÈCES DE L'EMBALLAGE ET VÉRIFIEZ-LES. COMPAREZ LES PIÈCES INCLUSES AVEC LE TABLEAU ET LA LISTE DU CONTENU DE L'EMBALLAGE. S'IL Y A DES PIÈCES MANQUANTES OU ENDOMMAGÉES, NE TENTEZ PAS D'ASSEMBLER LE PRODUIT. COMMUNIQUEZ AVEC LE SERVICE À LA CLIENTÈLE POUR OBTENIR DES PIÈCES DE RECHANGE.

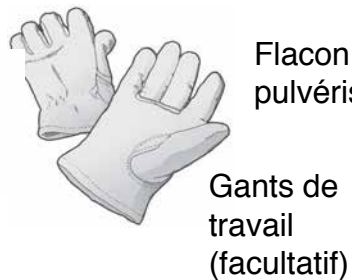
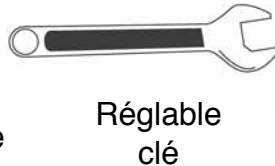
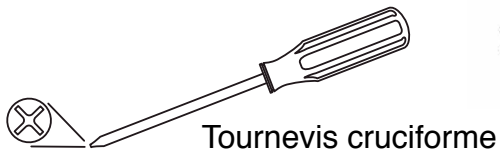
1 877 447-4768, entre 8 h 30 et 16 h 30 (HNC), du lundi au vendredi.

Numéro de pièce	Description	Qté :	Numéro de pièce	Description	Qté :
1	plaque de fond	1	17	colerette de poignée de porte	4
2	roulette de direction	2	18	manchon de poignée de porte	4
3	roulette pivotante sans verrouillage	1	19	petite table latérale	2
4	roulette pivotante à verrouillage	1	20	réceptacle à graisse	1
5	panneau latéral droit panier	1	21	bac à cendres	1
6	LP exclusion cylindre	1	22	bac à graisse	1
7	écran thermique	1	23	poignée de réglage du bac à charbon	1
8	poutre avant verticale panier	1	24	corps du gril	1
9	panier du milieu traverse	1	25	support table d'appoint	4
10	panier faisceau vertical arrière	1	26	grille-chauffe aliments	2
11	supérieure renfort de porte avant	1	27	grille de cuisson	4
12	panneau arrière du chariot	2	28	tente chaleur	2
13	panier panneau latéral gauche	1	29	Pile AAA (1.5V)	1
14	ensemble de porte droite	1	30	support de tuyau de gas GPL	1
15	ensemble de porte gauche	1	31	ensemble du couvercle gril à gaz	1
16	poignée de porte	2	32	ensemble du gril à charbon	1

CONTENU DE L'EMBALLAGE



Outils nécessaires pour le déballage, l'assemblage et la vérification des fuites de ce produit :



Flacon pulvérisateur














Temps d'assemblage approximatif : de 30 à 45 minutes

Gril à Deux Combustibles



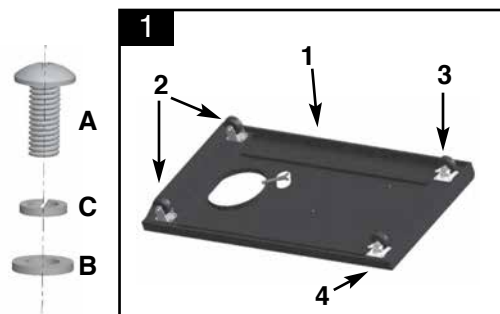
QUINCAILLERIE INCLUSE

Pièce	Description	Qté.	Fig
A	Vis M6 de 12 mm	52	
A	Vis M6 de 12 mm (Pré-assemblé en porte d'armoire poignées)	4	
B	Rondelle plate de 6 mm	23	
C	Rondelle à ressort de 6 mm	16	
D	Vis M4 de 12 mm	8	
E	Vis à épaulement de 6 mm	8	
F	Écrou de 4 mm	1	
G	Goupille fendue	1	
H	Couvercle Pivot Pin A	2	
I	Couvercle Pivot Pin B	1	
J	Écrou	3	




INSTRUCTIONS POUR L'ASSEMBLAGE

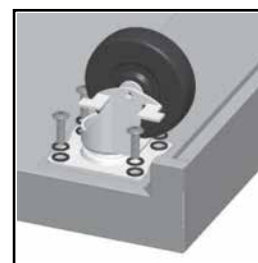
REMARQUE : Faites attention lorsque vous assemblez et utilisez cet appareil afin d'éviter les coupures et les égratignures sur les rebords.

Etape 1: Monter les roulettes dont 2 roulettes de direction (2), 1 roulette pivotante sans verrouillage (3), et 1 roulette pivotante à verrouillage (4) à la plaque de fond (1) avec l'aide de 4 vis M6x12 (A), des rondelles à ressort M6 (C) et des rondelles plates M6 (B) comme illustré.

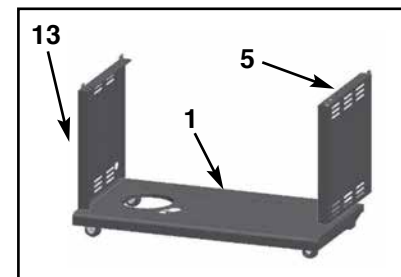
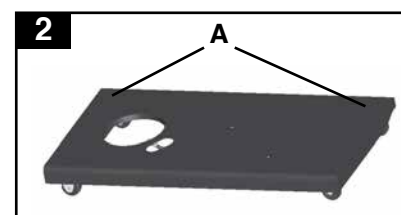


Quincaillerie utilisée


A	Vis M6 de 12 mm	Qté: 16 pcs	
B	Rondelle plate de 6 mm	Qté: 16 pcs	
C	Rondelle à ressort de 6 mm	Qté: 16 pcs	

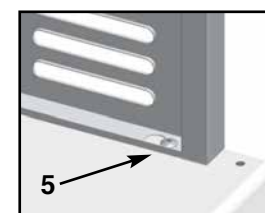


Etape 2: Insérer 4 vis (A) dans les trous de la plaque de fond (1). Ne les vissez pas à fond, laissez une espace de 4 à 6 cm de la tête de vis à la plaque de fond (1). Attachez le panneau latéral gauche du chariot (13) en plaçant les encoches en trou de serrure sur les têtes de vis (A) du côté gauche de la plaque de fond (1), glissez ensuite le panneau latéral gauche (13) de façon à ce que les têtes de vis se logent dans la petite partie des encoches. Enfoncez la vis (A) mais, à cette étape, ne les vissez pas à fond. Répétez le même processus avec le panneau latéral gauche du chariot (5).



Quincaillerie utilisée

A	Vis M6 de 12 mm	Qté: 4 pcs	
----------	-----------------	------------	---

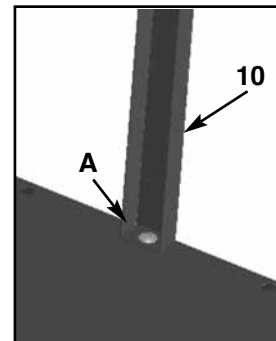
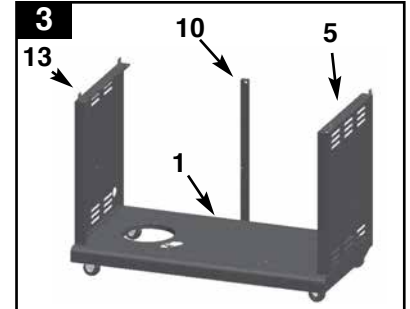


INSTRUCTIONS POUR L'ASSEMBLAGE

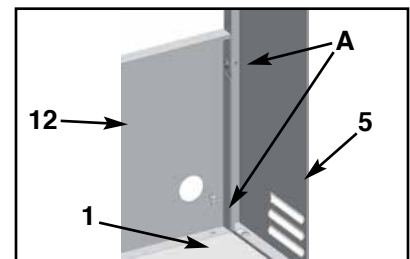
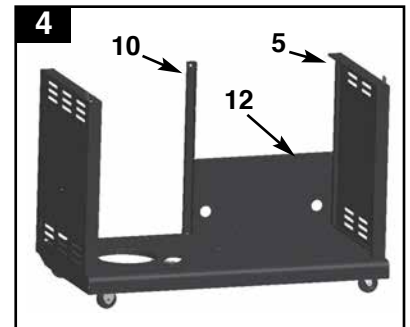
Etape 3: Du côté arrière et au milieu de la plaque de fond (1) montez la barre de renfort verticale à l'aide d'une vis M6x12 (A). Serrer la vis.

Quincaillerie utilisée

A Vis M6 de 12 mm Qté: 1 pcs



Etape 4: Insérez une vis M6x12 (A) dans chacun des trous du panneau latéral droit du chariot et de la barre de renfort verticale (5 et 10). Ne les vissez pas à fond. Laissez une espace de 4 à 6 mm entre la tête de vis et ce panneau latéral ainsi que les barres de renfort verticaux (5 et 10). Attachez un des panneaux arrière du chariot (12) en faisant glisser ses encoches sur les vis insérées et enfoncez avec force. Fixez le panneau arrière du chariot (12) à la plaque de fond (1) à l'aide de 2 vis M6x12 (A). Serrez bien les 2 vis M6x12 du panneau latéral droit du chariot et celle de la barre de renfort verticale de l'arrière du chariot (5 et 10).



Quincaillerie utilisée

A Vis M6 de 12 mm Qté: 4 pcs



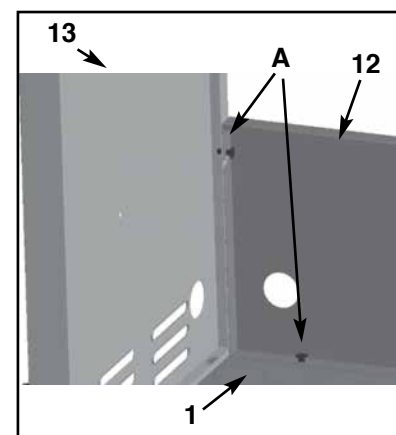
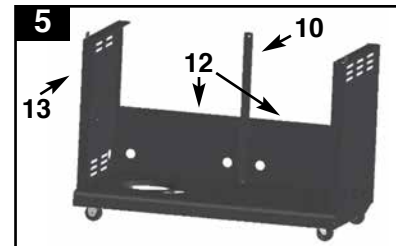
INSTRUCTIONS POUR L'ASSEMBLAGE

Etape 5: Insérez une vis M6x12 dans chacun des trous situés à l'arrière du panneau latéral gauche du chariot et de la barre de renfort verticale (13 et 10). Ne les vissez pas à fond. Laissez une espace de 4 à 6 mm entre les têtes de vis et ce panneau latéral ainsi que la barre de renfort verticale (13 et 10) à l'arrière du chariot. Attachez les autres panneaux de l'arrière du chariot (12) en glissant ses encoches sur les vis insérées et pousser avec force. Fixez le panneau arrière du chariot (12) à la plaque de fond (1) à l'aide de 2 vis M6x12 (A). Serrez bien les 2 vis M6x12 du panneau latéral gauche du chariot ainsi que celle de la barre de renfort verticale (13 et 10).

Quincaillerie utilisée

A Vis M6 de 12 mm

Qte: 4 pcs

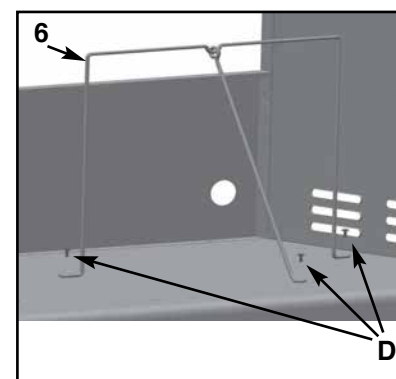
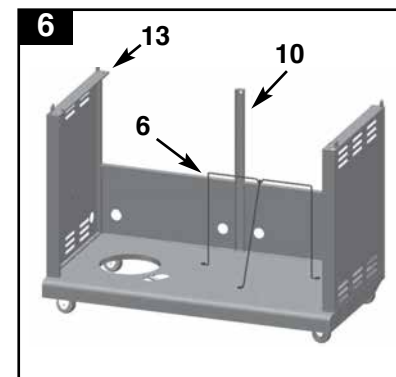


Etape 6: Attachez le dispositif d'exclusion de la bouteille de gaz GPL au panneau de fond (A) à l'aide de 3 vis M4x12 (D).

Quincaillerie utilisée

D Vis M4 de 12 mm

Qte: 3 pcs

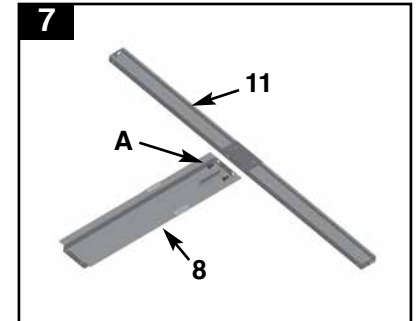


INSTRUCTIONS POUR L'ASSEMBLAGE

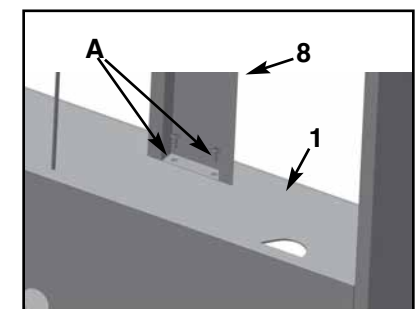
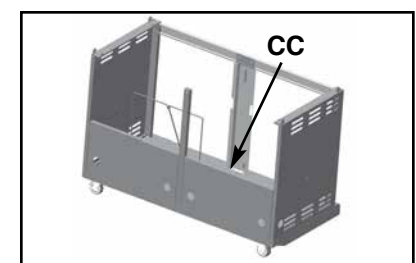
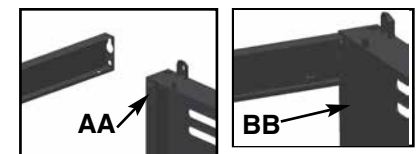
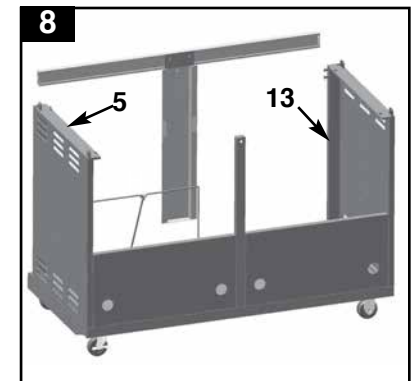
Etape 7: Prémontez la barre de renfort verticale du devant du chariot (8) et la traverse de renfort supérieure de la porte de devant (11) en forme de "T" avec l'aide de 2 vis M6x12 (A).

Quincaillerie utilisée

A Vis M6 de 12 mm Qté: 2 pcs 



Etape 8: Prémontez la barre de renfort verticale du devant du chariot (8) et la traverse supérieure de la porte de devant (11) en un ensemble en forme de "T". Insérez 2 vis M6x12 dans chacun des trous de montage (marqué AA) du côté latéral gauche et droit du chariot. Ne les vissez pas à fond. Laissez une espace de 4 à 6 mm entre les têtes de vis et les panneaux latéraux gauche et droit du chariot (13 et 5). Attachez la barre de renfort verticale du devant du chariot (8) et l'ensemble de traverse supérieure de la porte de devant (11) en plaçant les encoches sur les têtes de vis insérées (A) sur les panneaux latéraux (13 et 5). Glissez cette traverse de renfort supérieure (11) de façon à ce que les têtes de vis se logent dans la petite partie du trou. Serrez les vis mais ne les vissez pas à fond à cette étape. Fixez d'autres vis M6x12 dans les trous (marqués BB). En dernier lieu, attachez la barre de renfort verticale du devant du chariot (8) à la plaque de fond (marquée CC) à l'aide de 2 vis M6x12 (A).



Quincaillerie utilisée

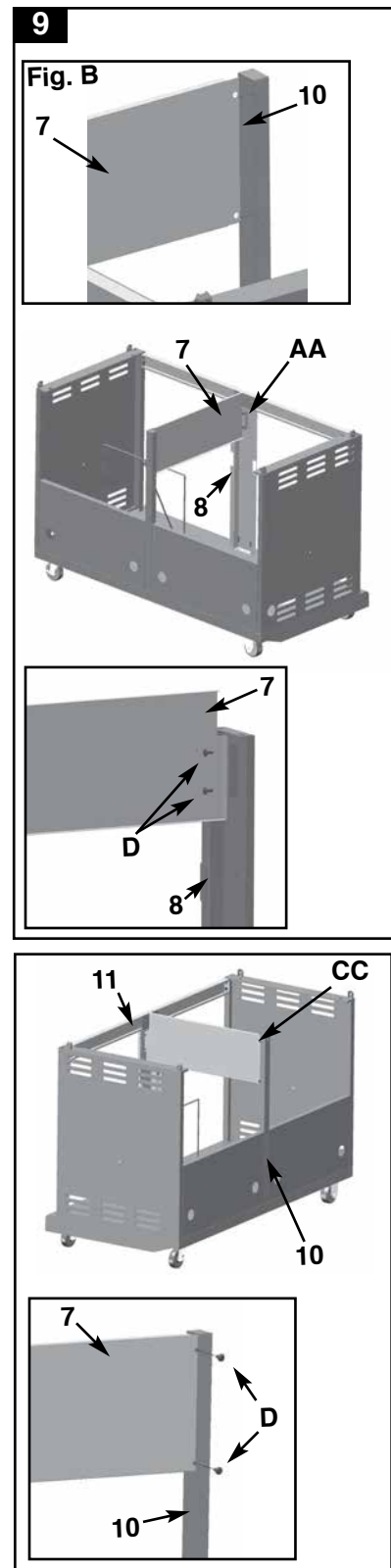
A Vis M6 de 12 mm Qté: 6 pcs 

INSTRUCTIONS POUR L'ASSEMBLAGE

Etape 9: Placez l'écran thermique (7) contre la barre de renfort verticale du côté arrière du chariot (10) comme illustré sur l'image agrandie et marquée Figure B. Fixez l'écran thermique (7) à la barre de renfort verticale du devant du chariot (8 et marquée AA) à l'aide de 2 vis M4x12 (D). Fixez l'écran thermique (7) à la barre de renfort verticale de l'arrière du chariot (10 et marquée CC) à l'aide de 2 vis M4x12 (D).

Quincaillerie utilisée

D Vis M4 de 12 mm Qté: 4 pcs

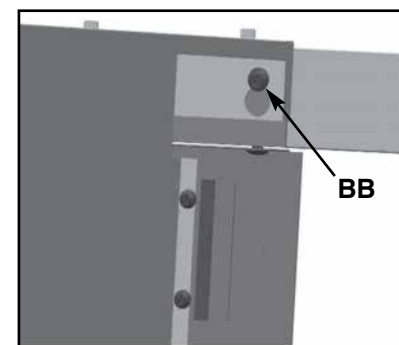
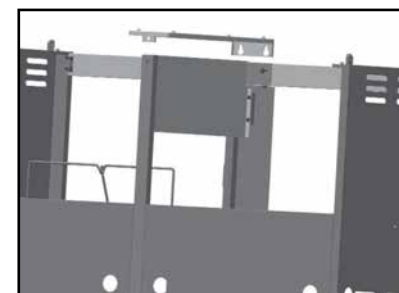
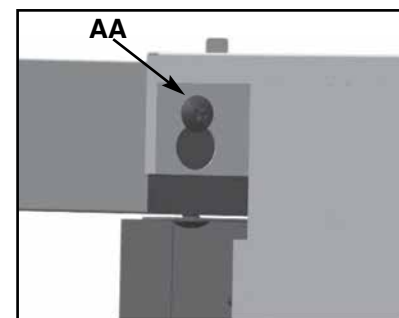
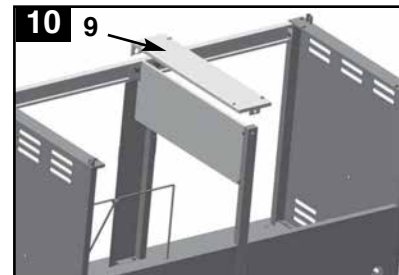


INSTRUCTIONS POUR L'ASSEMBLAGE

Etape 10: Insérez 2 vis M6x12 (A) dans la traverse de renfort supérieure de la porte de devant (11 et marquée AA et BB). Ne les vissez pas à fond. Laissez une espace de 4 à 6 mm entre la tête de vis et la traverse de renfort supérieure de la porte de devant (11). Fixez la barre de renfort transversale du milieu du chariot en plaçant ses encoches sur les têtes de vis (A) sur la traverse de renfort supérieure (11). Glissez la barre de renfort transversale du milieu de façon à ce que les têtes de vis se logent sur la petite partie des encoches. Enfoncez les vis mais ne les vissez pas à fond à cette étape. Introduisez 1 vis M6x12 (A) marqué CC. Serrez les vis.



Vue de l'arrière.

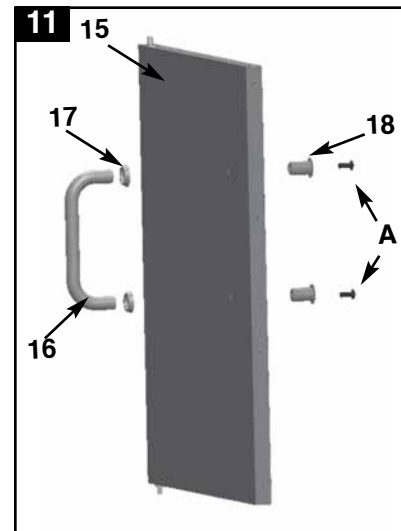


Quincaillerie utilisée

A Vis M6 de 12 mm Qté: 3 pcs 

INSTRUCTIONS POUR L'ASSEMBLAGE

Etape 11: Retirez les 2 vis M6x12 (A) prémontées et les manchons de la poignée de porte (18) de la poignée de porte. Insérez les 2 manchons de porte (18) dans les trous situés au dos de l'ensemble de la porte de gauche (15). Insérez 2 vis M6x 12 A au manchon de la poignée de porte (18) en les faisant passer à travers les collerettes (17) et les trous taraudés dans les poignées de porte. Serrez bien les vis. Répétez le même processus avec l'ensemble de la porte de droite (14).

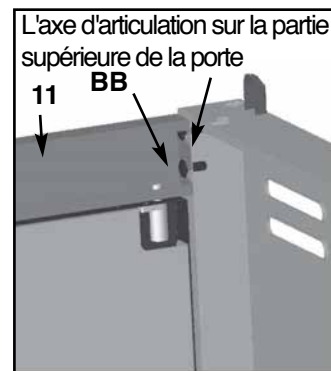
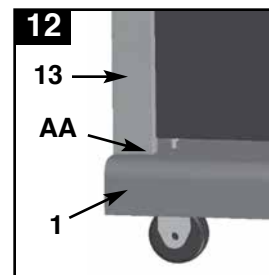


Quincaillerie utilisée

A Vis M6 de 12 mm Qté: 4 pcs
(Pré-assemblé dans les poignées de portes d'armoires)





Etape 12: Insérez la goupille de charnière inférieure de la porte de gauche (15) dans le trou (marqué AA) de la plaque de fond (1). Enfoncez manuellement la goupille en haut de l'ensemble de la porte gauche (15) et l'insérer dans le trou (marqué BB) de la traverse de renfort supérieure (11). Répétez le même procédé avec l'ensemble de la porte de droite (14).

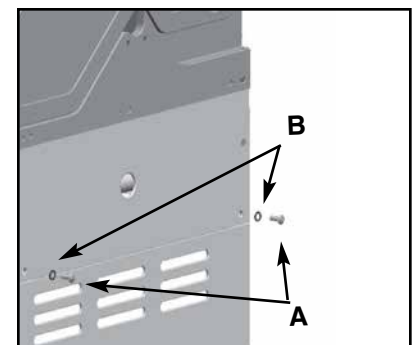
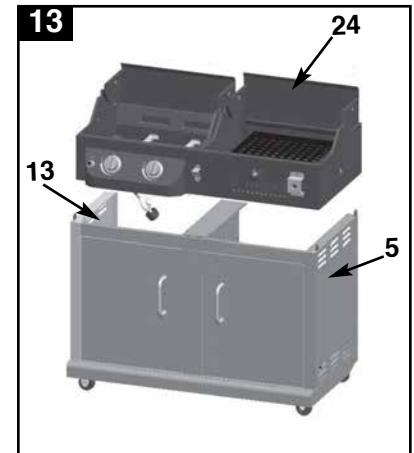


INSTRUCTIONS POUR L'ASSEMBLAGE

Etape 13. Placez avec précaution le corps du gril (24) sur le panneau latéral gauche et celui de droite du chariot (13 et 5). Ajuster le corps du gril (24) de façon à ce que les trous du corps du gril (24) soient alignés avec ceux des languettes des panneaux latéraux du chariot (13 et 5). **REMARQUE:** Assurez-vous que le tuyau à gaz se trouve à l'intérieur du chariot. Fixez le corps du gril (24) à l'aide de 2 vis M6x12 (A) et des rondelles plates (A) pour chaque côté.

Quincaillerie utilisée

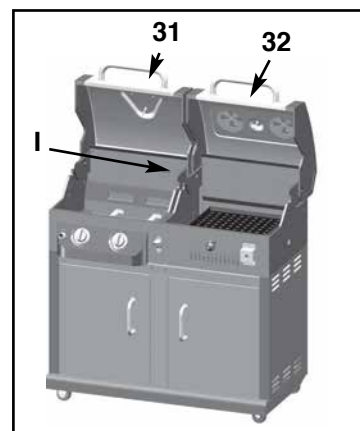
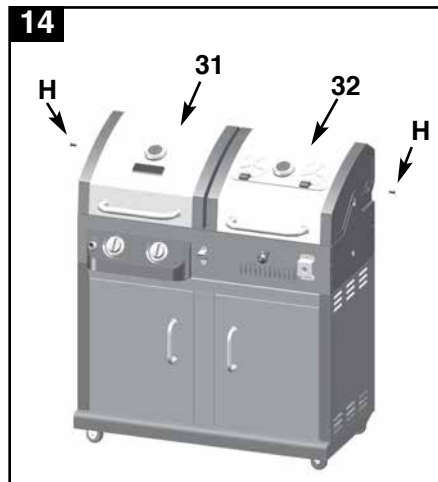
A	Vis M6 de 12 mm	Qté: 4 pcs	
B	Rondelle plate de 6 mm	Qté: 4 pcs	







INSTRUCTIONS POUR L'ASSEMBLAGE

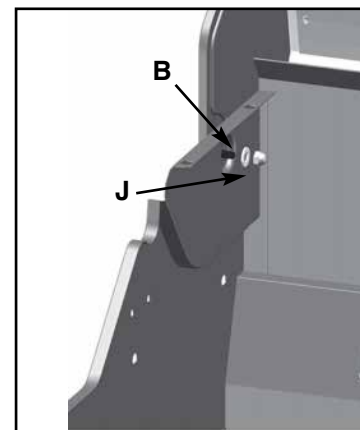
Etape 14: Séparément, placez avec soin l'ensemble de couvercle du gril à gaz (31) et celui du gril à charbon (32) sur le foyer du gril à gaz et celui du gril à charbon. Insérez 1 goupille du pivot du couvercle A – gauche et à droite (HH) dans le trou du panneau latéral du foyer du grill à gaz et à travers le trou de montage gauche de l'ensemble du couvercle de gauche du gril à gaz (31). Insérez 1 goupille du pivot du couvercle A – Gauche et droite (H) dans le trou situé dans le panneau latéral droit du foyer du gril à charbon et à travers le trou de montage droit de l'ensemble du couvercle du gril à charbon (32). Insérez 1 goupille de pivot B – au milieu II dans le trou du foyer du côté droit du gril et à travers le trou de l'ensemble du couvercle du gril à gaz (31), le trou du côté gauche de l'ensemble du couvercle du gril à charbon (32) et le trou du côté gauche du foyer du gril à charbon.

REMARQUE: Soulevez l'ensemble du gril à gaz (31) et celui du gril à charbon (32) pendant que vous insérez les goupilles du pivot du couvercle. Assurez-vous que les trous soient bien en position. Fixez la goupille du pivot du couvercle A – Gauche et droite (H) et la goupille du pivot du couvercle B – au milieu II à l'aide de 3 capsules d'écrou (J) et 3 rondelles plates (B).



Quincaillerie utilisée


H	Couvercle Pivot Pin A	Qté: 2 pcs	
I	Couvercle Pivot Pin B	Qté: 1 pcs	
J	Ecrou	Qté: 3 pcs	
B	Rondelle plate de 6 mm	Qté: 3 pcs	

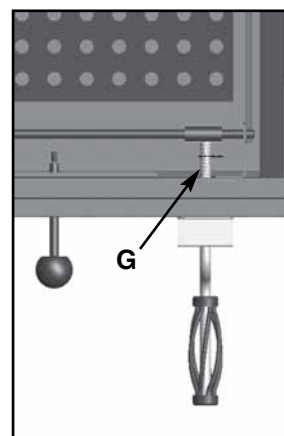


INSTRUCTIONS POUR L'ASSEMBLAGE

Etape 15: Fixez la poignée de réglage du bac à charbon (23) au corps du gril (24) en le tournant dans le sens de la montre. Insérez la goupille à axes (G) pendant que cette poignée de réglage (23) prenne position en tournant.

Quincaillerie utilisée

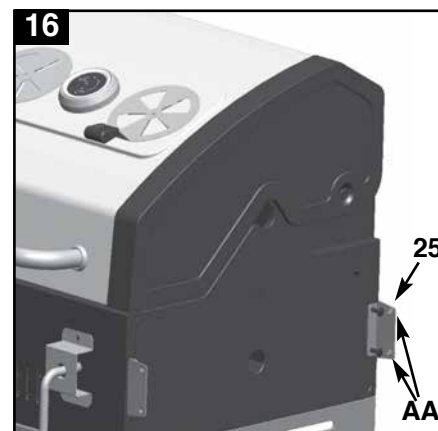
G Goupille fendue Qté: 1 pcs 



Etape 16: Installez 4 supports de fixation pour petites tables latéraux (25) à l'aide de 2 vis M6x12 (A), séparément, dans les trous (marqués AA) du côté du corps du gril (24). Serrez bien les vis.

Quincaillerie utilisée


A Vis M6 de 12 mm Qté: 8 pcs 

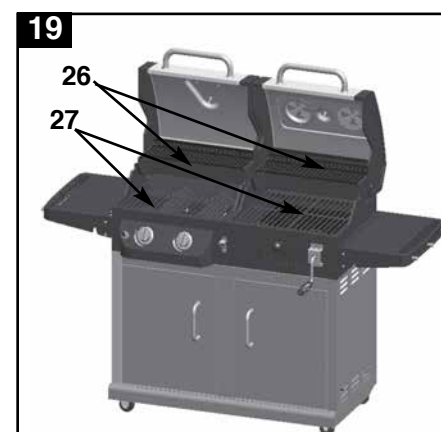
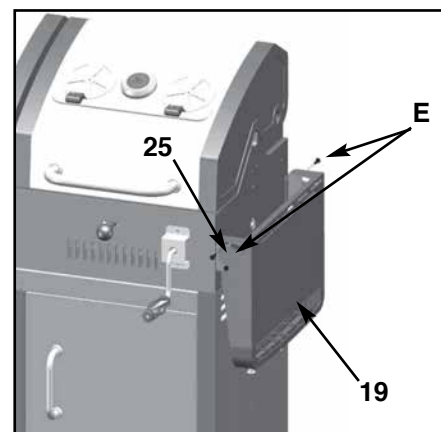
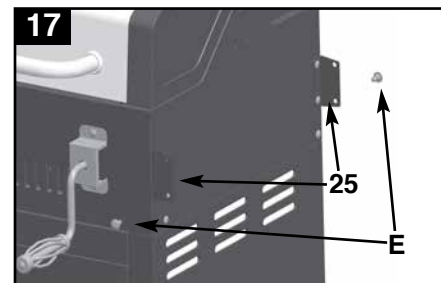


INSTRUCTIONS POUR L'ASSEMBLAGE

Etape 17: D'abord, fixez 2 vis de consolidation (E) dans les trous de support de fixation de la petite table latérale (25) comme indiqué. Fixez la petite table latérale (19) au support de fixation (25) à l'aide de 2 vis de consolidation (E). Répétez le même processus avec l'autre côté du gril.

Quincaillerie utilisée

E Vis à épaulement de 6 mm Qté: 8 pcs 



⚠ ATTENTION: IL EST TRÈS IMPORTANT DE VOIR ET VEILLER A CE QUE CHAQUE BRÛLEUR EST COMPLÈTEMENT ENGAGÉ DANS LA VANNE ADJACENTE ORIFICE AVANT DE REMPLIR ÉTAPE 18. NON-RESPECT DE MAI PROVOQUER UN INCENDIE OU EXPLOSION PEUT-ÊTRE CAUSER DE GRAVES BLESSURES OU LA MORT. SE RÉFÉRER À ENTRETIEN INSTRUCTIONS SECTION DE BIEN VOIR L'ENGAGEMENT.

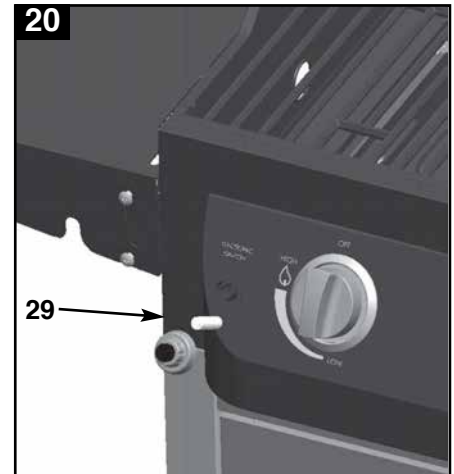


Etape 18: Placez les boucliers thermiques pour le contrôle des flammes dans le corps du gril (24).

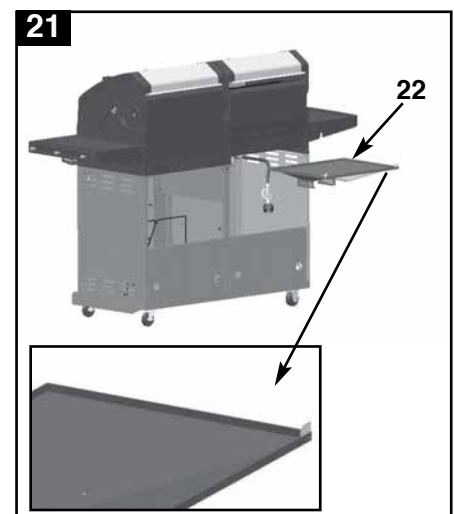
Etape 19: Placez la grille de cuisson (27) puis la grille-chauffe aliments (28) dans le corps du gril (24). Notez que: La grille chauffe-aliments est soutenue par 4 trous dont 2 trous positionnés de chaque côté du corps du gril (24).

INSTRUCTIONS POUR L'ASSEMBLAGE

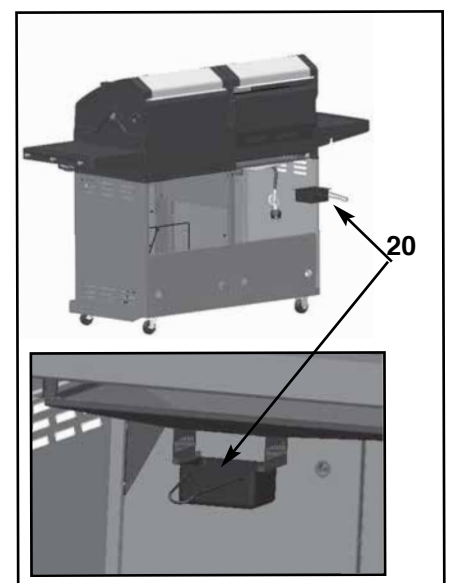
Etape 20 : Dévissez le bouchon de l'allumeur et mettez une pile AAA (29) dans le corps d'allumage en plaçant la face positive '+' de la pile de front. Remettez le bouchon par la suite.



Etape 21 : Insérez le bac à graisse (22). Mettez le en place en le faisant glisser dans le corps du gril, par derrière (comme illustré) le long des rails situés juste en dessous de la surface d'en dessous du corps du gril. REMARQUE : Le bac à graisse DOIT être positionné comme illustré ci-dessous (les rails de support du récipient à graisse se trouve sur votre gauche faisant face à la partie arrière du gril).



Insérer le récipient à graisse (20). Mettez le en place en le glissant sur les rails de support au fond du bac à graisse.



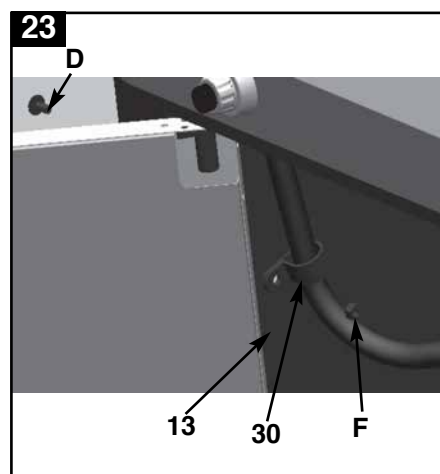
INSTRUCTIONS POUR L'ASSEMBLAGE

Etape 22 : Insérez le bac à charbon (21) dans les rails de support au fond du corps du gril à charbon.

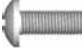



Etape 23 : Fixez le tuyau à gaz et l'ensemble de support de tuyau à gaz GPL (30) à l'ensemble du panneau gauche du chariot (13) avec l'aide d'une vis M4x12 (D) et un écrou M4 (F). Vissez les au trou de la petite table latérale du chariot.

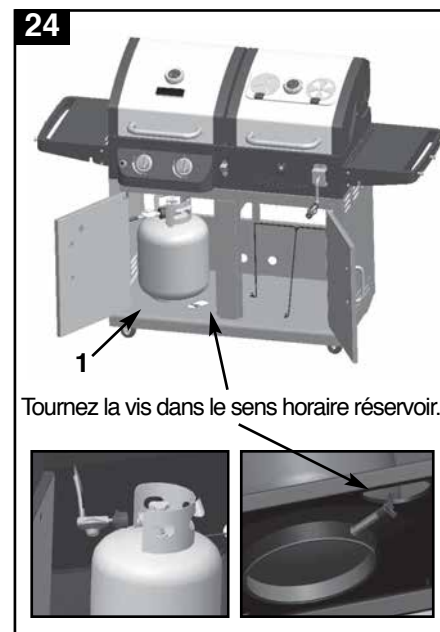
REMARQUE: Le support de tuyau de la bouteille de gaz GPL doit complètement entourer le tuyau à gaz avant d'être fixé au panneau latéral gauche du chariot (13) comme illustré.



Quincaillerie utilisée

D	Vis M4 de 12 mm	Qté: 1 pcs	
F	M4 Ecrou	Qté: 1 pcs	

Etape 24 : Ouvrez l'ensemble de la porte du chariot (14 et 15) et placez la bouteille GPL (vendue séparément) dans son emboîtement situé sur la plaque de fond (1). Aligner le tuyau/régulateur de couplage, vissé manuellement, à la soupape fileté de la bouteille à gaz GPL en la tournant jusqu'à ce qu'elle soit correctement logée. Serrez manuellement le tuyau/régulateur de couplage à la soupape fileté de la bouteille à gaz. Serrez bien les visses jusqu'à ce que la bouteille soit bien en place dans son emboîtement de la plaque de fond (1).

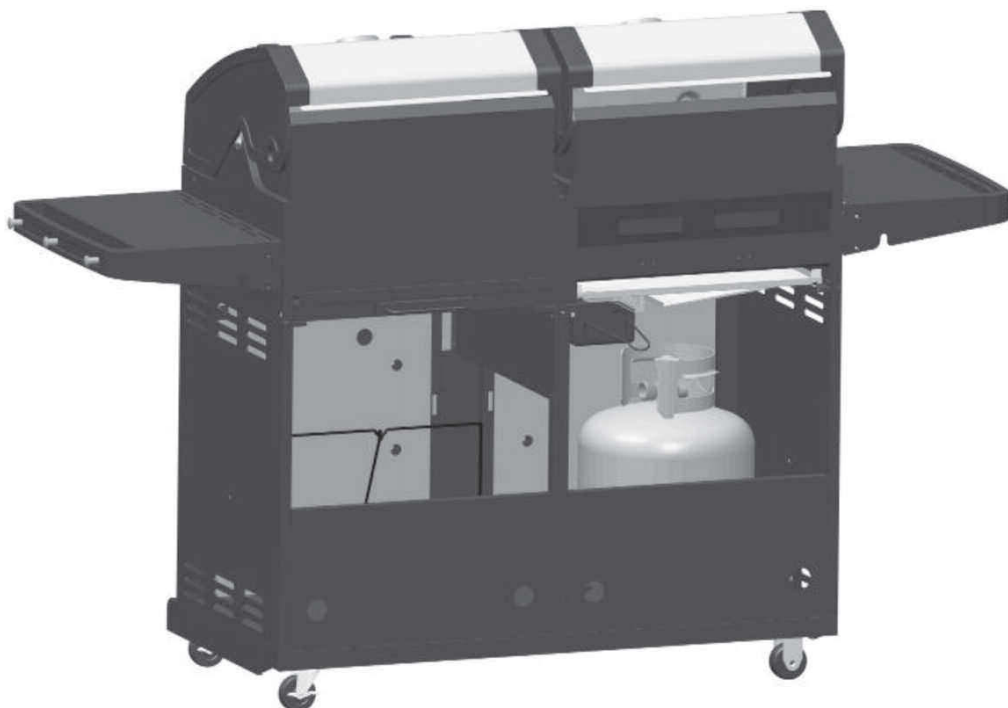


INSTRUCTIONS POUR L'ASSEMBLAGE

Grill entièrement assemblée



Vue avant



Vue arrière

MODE D'EMPLOI DES BRÛLEURS À GAZ

⚠ MISE EN GARDE

Utilisez uniquement l'ensemble régulateur et tuyau fourni. Si vous avez besoin d'une pièce de rechange, communiquez avec le service à la clientèle. N'utilisez pas de pièces de rechange qui ne sont pas conçues pour ce barbecue.

Raccord de la bouteille de gaz :

RACCORD DE LA BOUTEILLE DE GAZ

La bouteille de propane liquéfié utilisée doit être fabriquée et identifiée conformément aux normes pour les bouteilles de propane liquéfié du U.S. Department of Transportation (D.O.T.) ou à la norme nationale du Canada et instructions CAN/CAS-B339, « Bouteilles et tubes utilisés pour le transport des marchandises dangereuses », le cas échéant, et munie d'un dispositif de protection contre les débordements.

Utilisez seulement une bouteille de 9,07 kg (hauteur de 450,85 mm/17,75 po, diamètre de la bouteille de 304,80 mm/12 po, diamètre du pied de 203,20 mm/8 po) dotée d'un dispositif de raccord de bouteille compatible avec le raccord des appareils de cuisson à l'extérieur. La bouteille doit comporter un collet protecteur pour le robinet. Prenez soin de ne pas échapper la bouteille de gaz ni de la manipuler rudement!

Déconnectez la bouteille de gaz lorsque l'appareil n'est pas utilisé. Il est permis d'entreposer l'appareil à l'intérieur **UNIQUEMENT** si la bouteille de gaz est déconnectée et retirée de l'appareil. La bouteille doit être entreposée à l'extérieur et placée hors de la portée des enfants. Elle ne doit pas être entreposée dans un immeuble, un garage ou tout autre espace clos. Il ne faut jamais l'entreposer dans un endroit où la température peut excéder 51,7 °C.

Mettez un bouchon antipoussière sur la sortie du robinet d'une bouteille qui n'est pas utilisée. Utilisez uniquement le type de bouchon antipoussière fourni avec le robinet de la bouteille. D'autres types de bouchons pourraient ne pas être étanches et permettre des fuites de propane.

Avant de faire le raccord, assurez-vous qu'aucun débris n'obstrue le tuyau de sortie de la bouteille de gaz, du manodétendeur, du brûleur ou des orifices du brûleur. Raccordez le manodétendeur et resserrez-le à la main fermement. Fermez le robinet de la bouteille, puis déconnectez la bouteille de propane du manodétendeur lorsque le barbecue n'est pas utilisé.

N'ENTRAVEZ PAS le flux d'air de combustion et de ventilation se rendant au barbecue. La bouteille de propane doit être munie d'un système permettant le retrait de la vapeur et d'un dispositif reconnu de prévention des trop-pleins. Veuillez orienter la bouteille dans le sens indiqué pour permettre le retrait de la vapeur.

REMARQUE : La bouteille de gaz doit toujours être en position verticale afin de permettre uniquement le retrait de la vapeur.



Correct



Wrong



Wrong

MODE D'EMPLOI DES BRÛLEURS À GAZ

! MISE EN GARDE

- Ne rangez pas de bouteille de gaz propane liquéfié de recharge sous l'appareil ou à proximité de celui-ci.**
- Ne remplissez jamais la bouteille à plus de 80 % de sa capacité.**
- Si les directives mentionnées au point a. et au point b. ne sont pas suivies exactement, un incendie pouvant causer la mort ou des blessures graves pourrait survenir.**

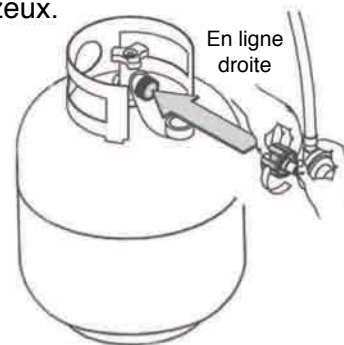
REMARQUE : Vous pouvez utiliser d'autres bouteilles avec cet appareil, pourvu qu'elles conviennent au trou pour la bouteille et aux dispositifs de fixation. Consultez l'étape 20 des instructions pour l'assemblage pour connaître la manière adéquate de raccorder une bouteille au support de bouteille.

! AVERTISSEMENT

TOUTES LES INSTRUCTIONS ET MESURES DE SÉCURITÉ QUI SUIVENT DOIVENT ÊTRE RESPECTÉES AFIN DE PRÉVENIR LES INCENDIES, LES DOMMAGES ET LES BLESSURES.

RACCORDEMENT DE LA BOUTEILLE DE PROPANE

- Le robinet de la bouteille de propane doit être fermé. Pour vérifier si c'est le cas, assurez-vous qu'il n'est pas possible de le tourner davantage dans le sens des aiguilles d'une montre . Le système d'alimentation de la bouteille doit être placé de façon à permettre le retrait du propane à l'état gazeux.
- Vérifiez que le bouton de commande du dispositif de commande du brûleur est à la position « OFF » (arrêt).
- Retirez le capuchon de protection du robinet de la bouteille de propane liquéfié et de l'écrou d'accouplement.
- Tenez le régulateur dans une main et insérez le tige dans le tuyau de sortie. Assurez-vous que le tige est bien centrée dans le tuyau de sortie. L'écrou d'accouplement se visse sur les filets extérieurs de grande dimension du tuyau de sortie. Faites attention de ne pas fausser le filetage du raccord.
- Serrez l'écrou d'accouplement à la main dans le sens des aiguilles d'une montre jusqu'à ce qu'il ne soit plus possible de le tourner davantage. Vissez-le fermement à la main seulement. N'utilisez pas d'outils.



Désaccouplement : Fermez complètement le robinet de la bouteille en le tournant dans le sens des aiguilles d'une montre . Tournez l'écrou d'accouplement dans le sens contraire des aiguilles d'une montre jusqu'à ce que l'ensemble de régulateur se détache.

! AVERTISSEMENT

Lorsque vous effectuez les raccordements, assurez-vous que :

- le connecteur de l'orifice d'entrée du régulateur est correctement et solidement raccordé au tuyau de sortie de la bouteille;
- le tuyau de gaz propane liquéfié ne touche pas au foyer du barbecue.

MODE D'EMPLOI DES BRÛLEURS À GAZ

DÉTECTION DES FUITES

Après avoir effectué tous les branchements, vérifiez s'il y a des fuites en vaporisant de l'eau savonneuse sur le robinet de la bouteille de propane liquéfié, le tuyau de gaz et le régulateur.

Pour prévenir les incendies ou les explosions lorsque vous tentez de détecter les fuites :

- Procédez toujours à la détection des fuites avant d'allumer le barbecue.
- Ne fumez pas lorsque vous vérifiez la présence de fuites.
- Procédez toujours à la détection des fuites à l'extérieur, dans un endroit bien aéré.
- N'utilisez aucune source de flamme lorsque vous vérifiez la présence de fuites.
- N'utilisez pas le barbecue tant que les fuites n'ont pas toutes été colmatées.
- Si vous ne pouvez colmater une fuite, débranchez immédiatement l'alimentation et appelez un service de réparation d'appareils.

VÉRIFICATION DES FUITES


- Préparez une solution afin de procéder à la vérification des fuites; mélangez une part de savon à vaisselle liquide et trois parts d'eau. Vous aurez besoin d'environ 70 à 90 ml (2 à 3 oz) de liquide. Versez la solution en question dans un vaporisateur.
- Assurez-vous que tous les boutons de commande sont à la position « OFF » (arrêt).
- Ouvrez le robinet de la bouteille de propane liquéfié.
- Vaporisez la solution sur tous les branchements et les raccords dans lesquels circule du gaz. La présence de bulles à un endroit où vous avez appliqué la solution d'eau savonneuse indique une fuite de gaz. Si vous détectez ou entendez une fuite, ou si vous sentez une odeur de gaz, fermez la bouteille de propane liquéfié immédiatement et réparez ou remplacez la pièce défectueuse. N'utilisez pas le barbecue tant que les fuites n'ont pas toutes été colmatées.

Allumage du barbecue gaz

AVANT LA PREMIÈRE UTILISATION

Retirez tout l'emballage et les courroies de plastique, le cas échéant.



Avant d'utiliser votre nouveau barbecue au gaz, il est nécessaire de le nettoyer à la chaleur. Pour ce faire, faites fonctionner le barbecue pendant une quinzaine de minutes; le couvercle doit être fermé et tous les boutons de commande du brûleur principal doivent être réglés à la position maximale. De cette façon, la chaleur brûlera tous les résidus et dissipera l'odeur provenant du processus de fabrication, nettoyant ainsi les pièces internes. REMARQUE : Cette manipulation n'est PAS nécessaire pour le brûleur latéral.

 **MISE EN GARDE : Si la flamme s'éteint accidentellement pendant l'allumage ou l'utilisation du barbecue, FERMEZ immédiatement le robinet de la bouteille de propane, puis FERMEZ les boutons de commande du brûleur.**

MODE D'EMPLOI DES BRÛLEURS À GAZ

INSTRUCTIONS D'ALLUMAGE DE BARBECUE AU GAZ

! Avertissement : Ne vous penchez pas au-dessus du barbecue lorsque vous l'allumez. Lisez les directives avant d'allumer le brûleur.

1. Vérifiez que les boutons de commande sont à la position **O** « OFF » (ARRÊT).
2. Ouvrez complètement le robinet de la bouteille en le tournant dans le sens contraire des aiguilles d'une montre .
3. Ouvrez le couvercle lorsque vous procédez à l'allumage.
4. Poussez allumeur en baisse de 3 à 4 secondes en tournant le bouton de commande à droite côté à la position  « HIGH » (HAUT).
Le brûleur devrait s'allumer.
5. Répétez l'opération pour tous les autres brûleurs.
Si l'allumage ne se fait pas dans les 5 secondes, tournez immédiatement le bouton de commande à la position **O** « OFF » (ARRÊT). Attendez 5 minutes et répétez l'étape 4 ci-dessus ou se référer à correspondre instructions d'allumage.

Si le brûleur ne s'allume toujours pas, vérifiez qu'il y a du gaz dans la bouteille, puis suivez les instructions pour l'allumage avec une allumette.

OPERATION INSTRUCTIONS FOR GAS GRILL

ALLUMAGE DU GRIL AVEC UN MATCH

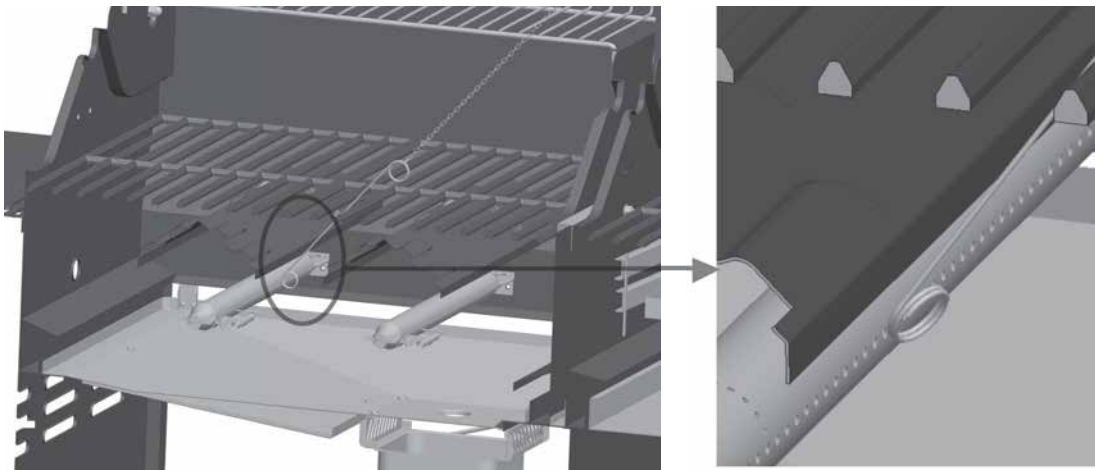


Attention: Ne pas se pencher sur grill lors de l'allumage. Lisez les instructions avant d'allumer.

1. Ouvrez le couvercle
2. Insérer une correspondance dans l'extrémité du porte-correspondance qui est installé sur le côté intérieur de la porte de l'armoire.
3. Allumer la mèche.
4. Placer immédiatement l'allumette allumée à travers les espaces dans les portes grill à proximité des ports du brûleur entre les tentes de chaleur, comme illustré. Assurez-vous que l'allumette est à proximité des orifices du brûleur.
5. Appuyez sur le bouton de commande qui actionne le brûleur et tourner dans le sens antihoraire ↶ pour position 🔥 HIGH (HAUTE) et le brûleur devrait s'allumer immédiatement.
6. Répétez les étapes 2 ~ 5 à allumer les autres brûleurs.
7. Réglez les brûleurs de réglages de cuisson souhaités.

⚠ AVERTISSEMENT

Assurez-vous que toutes les commandes des brûleurs sont éteints, sauf le brûleur est allumé et les brûleurs qui se sont allumés.



Allumer le grill avec la porte-allumette.

INSTRUCTIONS POUR L'ARRÊT

1. Tournez les boutons de commande dans le sens des aiguilles d'une montre ↻ jusqu'à la position ○ « OFF » (arrêt).
2. Fermez complètement le robinet de la bouteille en le tournant dans le sens des aiguilles d'une montre ↻.
3. Fermez le couvercle.

Fermez la bouteille de propane liquéfié lorsque vous n'utilisez pas l'appareil.

MODE D'EMPLOI DU BARBECUE AU CHARBON

Allumage du barbecue au charbon

⚠ DANGER

RISQUE LIÉ AU MONOXYDE DE CARBONE

Le fait de faire brûler du charbon à l'intérieur peut vous tuer. Le charbon produit du monoxyde de carbone, un gaz sans odeur.

Ne faites JAMAIS brûler du charbon à l'intérieur d'une maison, d'un garage, d'un véhicule ou d'une tente.

Réglage de la température

Ce barbecue possède un plateau à charbon à position réglable. En tournant la manivelle, le plateau à charbon peut être élevé ou abaissé à la hauteur voulue. Vous pouvez ainsi choisir différents réglages de chaleur selon la nourriture et la température à laquelle vous voulez la faire cuire. Cela permet également de nettoyer plus facilement l'intérieur du foyer une fois que l'appareil a refroidi complètement. Il n'est pas recommandé d'élever la grille à charbon plus haut que le réglage du milieu lorsque celle-ci est pleine de charbon.

REMARQUE : La grille est recouverte de porcelaine, un revêtement fragile. Manipulez-la avec soin pour éviter de l'endommager. Ne refroidissez pas la grille dans l'eau froide lorsqu'elle est encore chaude, car le revêtement pourrait craquer. Laissez la grille refroidir d'elle-même.

Pour obtenir une température ou une chaleur maximale, ouvrez les deux événements à persiennes situés sur le couvercle du barbecue, au besoin. Pour réduire la température ou la chaleur, fermez les événements d'aération.

REMARQUE : La température ne doit pas dépasser 260 °C (500 °F). Si la température dépasse 260 °C (500 °F), réduisez la quantité de briquettes sur la grille à charbon. La température de cuisson adéquate ne doit pas dépasser 260 °C (500 °F).

Apprêter l'appareil

1. Avant de cuisiner sur le barbecue pour la première fois, vous devez apprêter l'appareil afin d'améliorer la cuisson et d'offrir une meilleure durabilité générale. La non-observance des étapes suivantes peut endommager le fini ou donner un goût métallique à votre nourriture.
2. Retirez toutes les étiquettes de l'appareil, SANS toutefois retirer les avertissements de sécurité.
 - APPRÊTEZ L'APPAREIL : avant la première utilisation, placez environ 40 briquettes de charbon dans le plateau à charbon. Ne mettez pas de briquettes contre les parois du plateau.
 - Appliquez une couche d'huile végétale sur les surfaces intérieures du barbecue au charbon.
 - Allumez les briquettes et réglez le plateau à une hauteur moyenne en tournant la manivelle.
 - Poursuivez la combustion pendant deux heures avec le couvercle fermé et tous les registres ouverts d'un quart. Laissez refroidir l'appareil complètement.
 - Une fois l'opération terminée, l'appareil est prêt.

De la rouille peut apparaître à l'intérieur de votre barbecue. Gardez une mince couche d'huile végétale sur les surfaces intérieures afin de protéger plus longuement votre barbecue. Les surfaces extérieures du barbecue peuvent nécessiter des retouches occasionnelles. Nous vous recommandons d'utiliser une peinture à pulvériser noire résistante aux températures élevées.

NE PEIGNEZ JAMAIS L'INTÉRIEUR DE L'APPAREIL!

MODE D'EMPLOI DU BARBECUE AU CHARBON

⚠ AVERTISSEMENT : Ces pièces métalliques peuvent devenir très chaudes durant la cuisson. Portez toujours un gant résistant à la chaleur pour les manipuler. N'utilisez jamais d'allumoir à charbon, d'essence, de kérosène ni d'alcool avec un allumage électrique.


Cuisson au barbecue

Le charbon est recommandé comme combustible pour la cuisson, lorsqu'il est placé et allumé dans le plateau à charbon. Ne faites pas un feu de trop grande ampleur. Nous vous recommandons d'allumer un feu avec au plus 1,8 kg (3 lb) de charbon (environ 55 briquettes), et d'en ajouter au besoin durant la cuisson. Une fois la flamme éteinte, placez les grilles de cuisson dans l'appareil. Lisez et respectez ces instructions pour l'allumage du charbon afin de prévenir les blessures graves, ainsi que les dommages matériels.

ENTRETIEN


Grilles de cuisson

Il est recommandé de brûler les résidus sur la grille de cuisson environ quinze minutes après chaque utilisation. Le barbecue est encore chaud et nécessite donc moins de gaz pour atteindre la chaleur nécessaire pour brûler les résidus.

Pour brûler les résidus ou nettoyer votre barbecue par la chaleur, allumez les brûleurs à la position maximale  et laissez-les fonctionner pendant 15 minutes, le couvercle du barbecue fermé. Ensuite, éteignez les brûleurs et utilisez une brosse métallique afin de nettoyer les résidus de nourriture qui se trouvent sur les grilles.

REMARQUE : Cette manipulation n'est PAS nécessaire pour le brûleur latéral ou le brûleur de charbon de bois. Les grilles de porcelaine ont un fini d'émail vitrifié (semblable au verre). Veillez à les manipuler avec soin pour ne pas les ébrécher.

Autres pièces

 **MISE EN GARDE** : Avant de nettoyer et d'entretenir le barbecue, assurez-vous qu'il est refroidi et que l'alimentation en gaz de la bouteille de propane est fermée.

L'allumage électronique nécessite une pile alcaline de "AA" incluse.

AVERTISSEMENT

Ne combinez PAS des piles usagées et des piles neuves.

Ne combinez PAS des piles alcalines, des piles ordinaires (carbone-zinc) et des piles rechargeables (nickel-cadmium).

Ne jetez PAS de piles au feu. Une mise au rebut inadéquate pourrait causer une fuite ou faire exploser les piles.

Produits de nettoyage recommandés

Savon à vaisselle liquide doux, eau tiède, tampon à récurer en nylon, brosse métallique
N'utilisez PAS de produits nettoyants contenant de l'acide, de l'essence minérale ou toute substance abrasive.

Surfaces extérieures

Il est recommandé de n'utiliser que du savon à vaisselle liquide doux et de l'eau chaude pour nettoyer le barbecue et ses pièces.

Rincez à l'eau tiède.

Cuvette inférieure à l'intérieur du corps du barbecue

Afin d'éviter les montées de flammes, il est recommandé de nettoyer régulièrement la cuvette inférieure située à l'intérieur du barbecue.

Enlevez les résidus à l'aide d'une brosse, d'un grattoir ou d'un tampon à récurer. Nettoyez doucement à l'aide de savon à vaisselle liquide doux et d'eau tiède. Rincez à l'eau tiède. Évitez d'éclabousser les tubes diffuseurs des brûleurs.

Ponts thermiques

Nettoyez les résidus à l'aide d'une brosse métallique et lavez avec du savon à vaisselle doux et de l'eau tiède. Rincez à l'eau tiède.

Bac ramasse-graisse

Videz le bac ramasse-graisse, puis nettoyez-le régulièrement avec du savon à vaisselle liquide doux et de l'eau tiède.

ENTRETIEN

Ensemble de brûleur

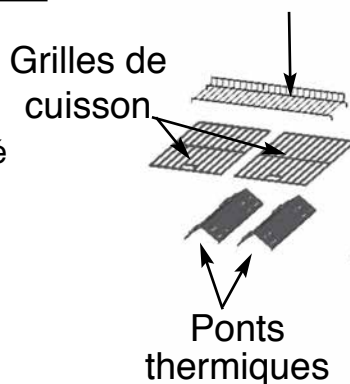
Retrait de l'ensemble de brûleur au gaz

1. Assurez-vous que tous les boutons de commande sont à la position « OFF » (arrêt), que le robinet de la bouteille de propane liquéfié est fermé et que cette dernière n'est reliée ni au régulateur ni au barbecue.

2. Ouvrez le couvercle et retirez la grille de maintien au chaud, les grilles de cuisson et les plaques chauffantes.

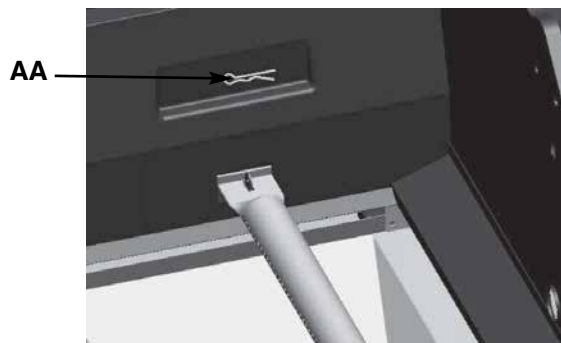
3. Retirez les goupilles fendues à l'arrière des brûleurs pour les retirer des supports.

Grille de maintien au chaud



3. Enlevez les goupilles de charnière (étiquetés comme AA dans la figure ci-dessous).

4. Retirer les vis (étiqueté comme BB dans la figure ci-dessous).



ENTRETIEN

Ensemble de brûleur

Nettoyage de l'assemblage du brûleur - Assurez-vous que le gril est froid

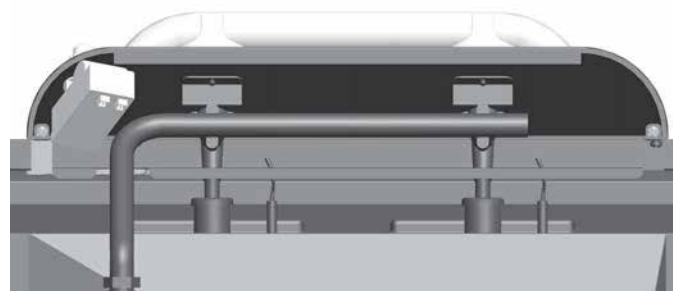
1. S'assurer que tous les orifices du brûleur sont dégagés de sabots. Utilisation d'une épingle ou un trombone fonctionne bien.
2. Assurez-brûleur est libre de tout dommage. Si un dommage est constaté, remplacez-le par un nouveau brûleur.
3. Veiller à la fin du brûleur et d'un écran d'air primaire sont clairs dans les nids d'insectes, de la saleté ou des débris.

Re-installer le brûleur

- S'assurer que les orifices de la valve de gaz sont correctement positionnés à l'intérieur du brûleur entrée (venturi).
- L'utilisation d'une lampe de poche peut être nécessaire pour assurer la bonne position.
- Il est recommandé d'afficher la position correcte à travers les trous d'aération chambre de combustion, tel qu'illustré.



Afficher la position correcte à partir du fond de la chambre de combustion.



Vue de dessous



Correct

Faux

Faux



AVERTISSEMENT : Si les directives mentionnées précédemment ne sont pas suivies, un incendie ou une explosion pourrait survenir, risquant de causer des blessures graves, voire mortelles.

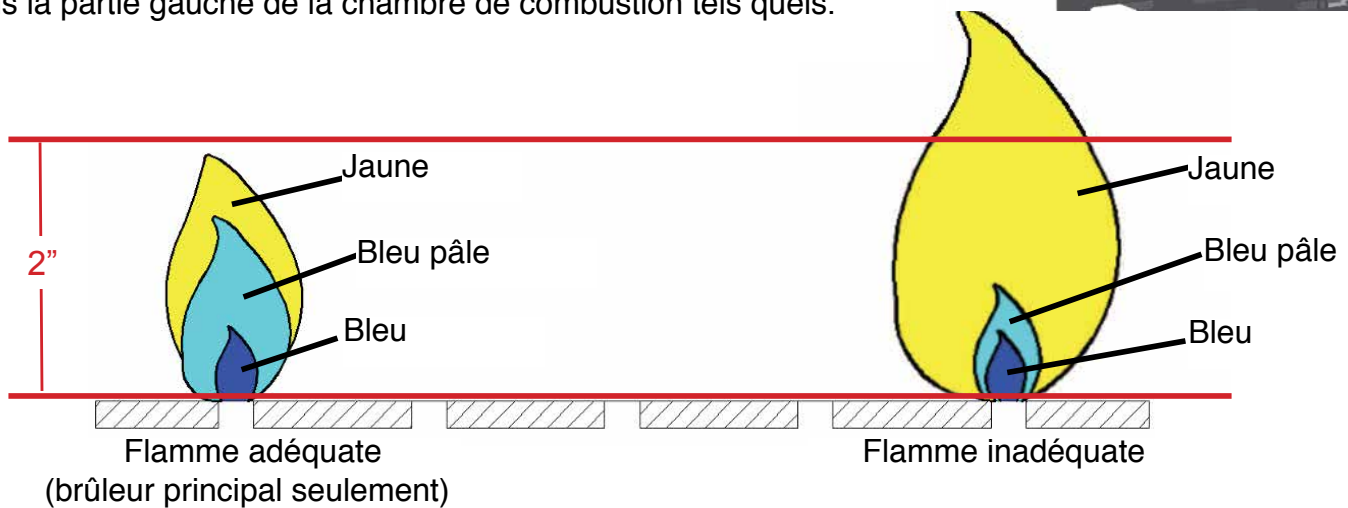
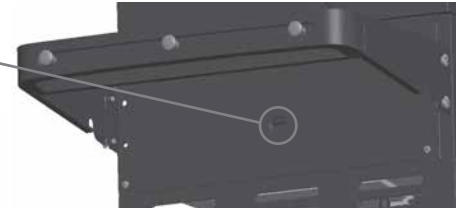
ENTRETIEN

Vérification de la flamme (brûleur principal seulement)

Pour une efficacité énergétique maximale et les performances de cuisson, flamme doit être d'une couleur bleu-jaune et se situer entre 1 à 2 pouces de haut.

Pour vérifier la flamme, voir la flamme à travers le trou dans la partie gauche de la chambre de combustion tels quels.

Trou pour la visualisation la flamme



Autres types d'entretien

Nous vous recommandons de faire faire l'entretien de cet appareil une fois par année par un technicien qualifié.

Nous vous recommandons de vérifier régulièrement que l'espace autour du barbecue au gaz est exempt de tout matériau combustible, essence et autres vapeurs et liquides inflammables.

Nous vous recommandons de vérifier régulièrement que le flux d'air de combustion et de ventilation n'est pas entravé.

Nous vous recommandons de vérifier régulièrement que les ouvertures de ventilation entourant la bouteille (sur l'armoire) sont exemptes de débris.

Nous vous recommandons de vérifier régulièrement les tubes de venturi et du brûleur et de les nettoyer si des insectes ou des nids d'insectes s'y trouvent. Un tube obstrué peut causer un feu sous le barbecue.

DÉPANNAGE

Problème	Causes possibles	Solutions possibles
<p>Le gaz ne circule pas ou sa circulation est entravée.</p>	<ul style="list-style-type: none"> • Le robinet de la bouteille n'est pas complètement ouvert. • La bouteille est vide. • La connexion entre le régulateur de valve et le raccord de la bouteille de gaz propane liquéfié est inadéquate. • L'entrée du brûleur est obstruée. 	<ul style="list-style-type: none"> • Ouvrez complètement le robinet de la bouteille en le tournant dans le sens contraire des aiguilles d'une montre ↶. • Vérifiez le niveau de gaz et remplissez la bouteille, s'il y a lieu. • Tournez les boutons de commande du barbecue en position d'arrêt, fermez la valve située sur le dessus de la bouteille de gaz propane liquéfié et vérifiez la connexion entre la valve du régulateur et le raccord de la bouteille. Au besoin, déconnectez-les et reconnectez-les. • Nettoyez le diffuseur de gaz (venturi) et le brûleur selon les instructions de la section « Entretien » du manuel.
<p>Le brûleur ne s'allume pas à l'aide de l'allumeur (pas d'étincelle ou étincelle faible).</p>	<ul style="list-style-type: none"> • L'électrode d'allumage est couverte de graisse ou de résidus. • Un fil de l'électrode d'allumage est mal raccordé ou déconnecté. • L'électrode d'allumage est fissurée ou fendue. • La pile est à plat ou la connexion des piles est inadéquate. 	<ul style="list-style-type: none"> • Tournez les boutons de commande en position d'arrêt et nettoyez l'électrode d'allumage à l'aide d'alcool à friction et d'un coton-tige. • Vérifiez les fils et reconnectez tout fil mal raccordé ou déconnecté. • Remplacez l'électrode d'allumage (consultez la liste des pièces de rechange). • Prenez l'une des mesures suivantes : <ol style="list-style-type: none"> a. Remplacez la pile. b. Vérifiez si la pile est insérée correctement. c. Vérifiez si les bornes de la pile présentent des traces de corrosion. d. Vérifiez la connexion des fils tel qu'il est indiqué ci-dessus.

DÉPANNAGE

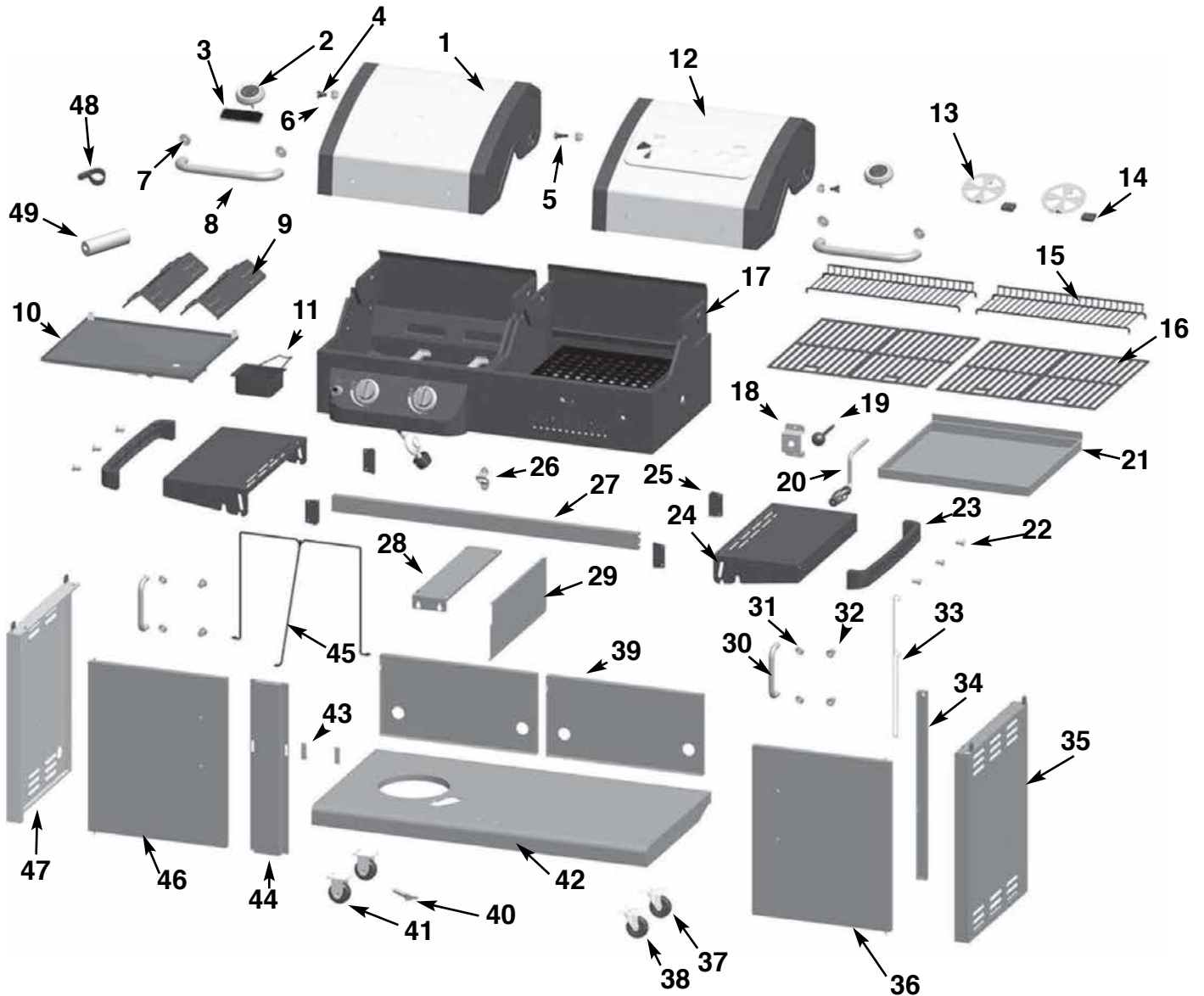
Problème	Causes possibles	Solutions possibles
<p>Le brûleur ne s'allume pas à l'aide d'une allumette.</p>	<ul style="list-style-type: none"> • L'allumette n'atteint pas les brûleurs (lorsque vous la tenez d'une main). • La bouteille est vide. • La connexion entre le régulateur de valve et le raccord de la bouteille de gaz propane liquéfié est inadéquate. • L'entrée du brûleur est obstruée. 	<ul style="list-style-type: none"> • Utilisez le support à allumettes situé dans la porte de l'armoire. • Vérifiez le niveau de gaz et remplissez la bouteille s'il y a lieu. • Tournez les boutons de commande du barbecue en position d'arrêt, fermez la valve située sur le dessus de la bouteille de gaz propane liquéfié et vérifiez la connexion entre la valve du régulateur et le raccord de la bouteille. Au besoin, déconnectez-les et reconnectez-les. • Nettoyez le diffuseur de gaz (venturi) et le brûleur selon les instructions de la section « Entretien » du manuel.
<p>La chaleur est faible.</p>	<ul style="list-style-type: none"> • Le régulateur de gaz propane liquéfié est muni d'un dispositif d'excès de débit qui permet normalement de transporter une quantité suffisante de gaz aux brûleurs. Des changements de pression rapides peuvent activer le dispositif et empêcher d'importantes quantités de gaz de se rendre au brûleur. Les flammes demeurent alors basses et la chaleur reste faible. Habituellement, ces changements se produisent lorsque vous ouvrez le robinet de la bouteille de gaz propane liquéfié alors que le robinet d'un brûleur (le bouton de commande) est en position ouverte, ce qui cause une augmentation de pression et active ainsi le dispositif d'excès de débit. 	<ul style="list-style-type: none"> • Suivez les étapes ci-dessous : <ol style="list-style-type: none"> 1. Fermez le robinet de la bouteille de gaz propane liquéfié situé sur le dessus de la bouteille. 2. Assurez-vous que les boutons de réglage des brûleurs sont à la position « OFF » (fermé). 3. Ouvrez lentement le robinet de la bouteille de gaz propane liquéfié, puis attendez pendant dix secondes. 4. Suivez les instructions relatives à l'allumage.

DÉPANNAGE

Problème	Causes possibles	Solutions possibles
Il y a trop de montées de flammes intermittentes.	<ul style="list-style-type: none">• De la graisse ou des résidus se sont accumulés sur les plaques chauffantes ou dans le foyer du barbecue.• Du gras ou de la marinade a dégoutté de la nourriture en trop grande quantité.• La température de cuisson est trop élevée.	<ul style="list-style-type: none">• Nettoyez les pièces du barbecue.• Retirez le gras de la viande et n'utilisez que des marinades qui ne sont pas à base d'huile.• Réduisez la température en conséquence.

LISTE DES PIÈCES DE RECHANGE

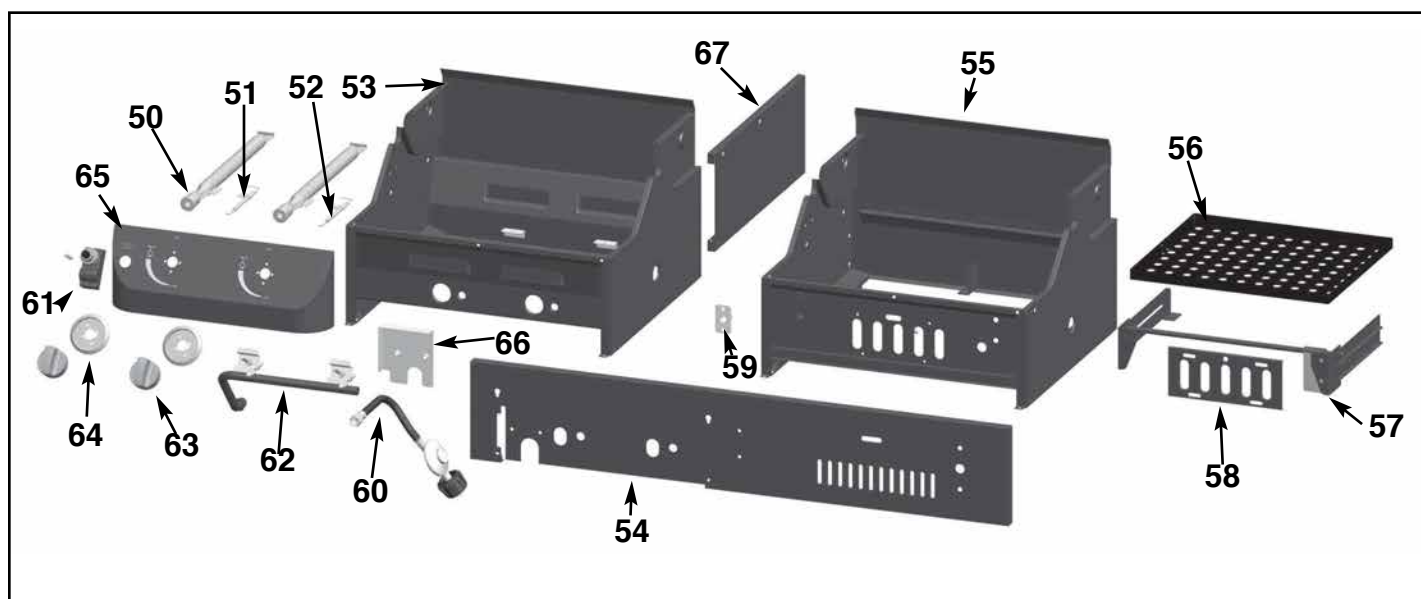
Pour obtenir des pièces de rechange, veuillez communiquer avec notre service à la clientèle au 1 877 447-4768, entre 8 h 30 et 16h 30 (HNC), du lundi au vendredi.



LISTE DES PIÈCES DE RECHANGE

Pour obtenir des pièces de rechange, veuillez communiquer avec notre service à la clientèle au 1 877 447-4768, entre 8 h 30 et 16h 30 (HNC), du lundi au vendredi.

17 Sous-ensemble complet



Dyna-Glo Gril à Deux Combustibles - MODELE #DGB730SNB/DGP730SNB-D

N° de l'illustration	Pièce Description	Garantie N° de pièce
1	Ensemble de couvercle du gril à gaz	144-02001
2	Jauge de température avec écrou	104-12005
3	Badge Dyna-Glo	104-22006
4	Goupille du pivot du couvercle – Gauche et droite	104-12002
5	Goupille du pivot du couvercle – du milieu	144-22002
6	Capsule d'écrou pour fixer spécialement le pivot du couvercle	104-12001
7	Collerette de poignée de couvercle	104-12004
8	Poignée de couvercle	104-12003
9	Bouclier thermique pour le contrôle des flammes	144-13003
10	Bac à graisse	144-04013
11	Réceptacle à graisse	104-04014
12	Ensemble de couvercle du gril – Gril à charbon	154-02001
13	Couvercle du régulateur à l'extérieur du couvercle du gril à charbon	154-12001
14	Poignée de couvercle du régulateur– du gril à charbon	154-12002
15	Grille chauffe-aliments	144-13001
16	Grille de cuisson	144-13002

LISTE DES PIÈCES DE RECHANGE

Dyna-Glo Gril à Deux Combustibles - MODELE #DGB730SNB/DGP730SNB-D

17	Ensemble de foyer – y compris brûleurs, ensemble de soupape à gaz GPL et collecteur/ tuyau a gaz GPL et régulateur / panneau de commande / fils d'allumage / électrode / bac à charbon.	144-03001
18	Collerette de la poignée du bac à charbon	154-13001
19	Poignée du régulateur de la porte de devant du gril à charbon	154-13002
20	Poignée de réglage du bac à charbon	154-13003
21	Bac à cendres	154-13104
22	Crochet à outil	104-14002
23	Porte-serviette	104-14001
24	Petite table latérale	104-04001
25	Support de fixation de la petite table latérale	104-04003
26	Décapsuleur	144-14004
27	Traverse de renfort supérieure de la porte de devant	144-04011
28	Barre de renfort transversale du milieu de chariot	144-14001
29	Ecran thermique	144-14002
30	Poignée de porte	104-14021
31	Collerette de poignée de porte	104-14022
32	Manchon de poignée de porte	104-14023
33	Support d'allumettes	104-14024
34	Barre de support verticale de l'arrière du chariot	144-14003
35	Panneau latéral droit du chariot	144-04010
36	Ensemble de porte de droite	144-04020
37	Roulette pivotante à verrouillage – y compris 4 vis / rondelles plates / rondelles à ressort	104-04019
38	Roulette pivotante sans verrouillage – y compris 4 vis / rondelles plates / rondelles à ressort	104-04017
39	Panneau arrière du chariot	144-04008
40	Vis de maintien de la bouteille de gaz GPL	104-04012
41	Roulette de direction – y compris 4 vis / rondelles plates / rondelles à ressort	104-04018
42	Panneau de fond	144-04006
43	Aimant de porte	104-14020
44	Barre de support verticale du devant du chariot	144-54020
45	Dispositif d'exclusion de la bouteille de gaz GPL	144-14006
46	Ensemble de la porte de gauche	144-44020
47	Panneau latéral gauche du chariot	144-04009
48	Support de tuyau	104-04007
49	Pile AAA (1.5 V)	102-05002
50	Brûleur principal- avec goupille à axes	104-13011
51	Electrode d'allumage A - avec câble d'allumage court	144-13012
52	Electrode d'allumage B - avec câble d'allumage long	144-23012
53	Ensemble de foyer – pour gril à gaz	144-13004
54	Panneau extérieur du devant du foyer	144-13005

LISTE DES PIÈCES DE RECHANGE

Dyna-Glo Gril à Deux Combustibles - MODELE #DGB730SNB/DGP730SNB-D

55	Ensemble du foyer – pour gril à charbon	154-13004
56	Bac à charbon	154-23001
57	Ensemble du bras de réglage du bac à charbon	154-23002
58	Régulateur de devant (panneau de commande du gril à charbon)	154-23003
59	Montage fileté pour manivelle de réglage du bac à charbon	154-23004
60	Ensemble de tuyau à gaz GPL et régulateur	104-13014
61	Allumage électronique	144-13007
62	Soupape de Gaz PL et collecteur	144-13006
63	Collerette de bouton de commande	104-13009
64	Bouton de commande	104-13010
65	Panneau de commande	144-13008
66	Bouclier thermique pour allumage électronique	144-13013
67	Cloison de séparation du foyer	144-33006
n/a	Trousse de quincaillerie	144-05001
n/a	Manuel d'instructions	70-10-020

GARANTIE LIMITÉE

Nom de l'article : Gril à Deux Combustibles

Modèle : DGB730SNB/DGB730SNB-D

Capacité nominale : 24,000 BTU/h

La garantie de ce barbecue à deux combustibles couvre les pièces endommagées ou brisées au moment de l'achat. Toutes les pièces sont couvertes par une garantie limitée de un (1) an. La peinture est garantie contre tout défaut, à l'exception de la rouille qui peut apparaître après une utilisation répétée, pour une période de 90 jours.

La garantie ne couvre pas les dommages ou les problèmes liés à une négligence, à un usage abusif ou aux modifications apportées à l'appareil. La garantie ne couvre pas les coûts de main-d'œuvre.

Toutes les pièces couvertes par la garantie seront expédiées sans frais selon la méthode choisie par GHP Group Inc. (envoi terrestre par US Mail ou Parcel Post **UNIQUEMENT**). Tout montant additionnel (par exemple livraison le lendemain, le surlendemain, etc.) relève de la responsabilité du consommateur.

Toutes les réclamations au titre de la garantie ne peuvent être effectuées que par l'acheteur initial du produit et nécessitent une preuve d'achat qui indique la date d'achat. Ne retournez aucune pièce à l'adresse de GHP Group Inc. sans avoir obtenu un numéro d'autorisation de retour de notre service à la clientèle. Vous pouvez appeler sans frais notre service à la clientèle au 1 877 447-4768, entre 8 h 30 et 16 h 30 (HNC), du lundi au vendredi.

Certains États ou certaines provinces ne permettent pas une limitation de la durée de la garantie implicite ou une exclusion ou une limitation des dommages accidentels ou consécutifs, de sorte que les limitations ou exclusions mentionnées ci-dessus peuvent ne pas s'appliquer à vous. Cette garantie vous confère des droits précis. Il est possible que vous disposiez également d'autres droits, qui varient d'un État ou d'une province à l'autre.

GHP Group Inc.
8280 Austin Avenue
Morton Grove, IL. USA 60053-3207
Numéro sans frais : 1 877 447-4768

Dyna-Glo™ Parrilla a Doble Combustible

Modelo #DGB730SNB/DGB730SNB-D

MANUAL DEL USUARIO E INSTRUCCIONES DE FUNCIONAMIENTO



C US

ANS Z21.58b-2012 CSA1.6b-2012

Electrodoméstico a gas para cocinar en exteriores

Ensamblador/Instalador: Este manual contiene información importante necesaria para el ensamblaje correcto y el uso seguro del electrodoméstico. Lea y siga todas las advertencias e instrucciones antes de ensamblar y utilizar este electrodoméstico. **Entregue estas instrucciones al consumidor.**

Consumidor/Usuario: Siga todas las advertencias e instrucciones al utilizar este electrodoméstico. **Guarde estas instrucciones para referencia futura.**



PELIGRO:

Si percibe olor a gas:

1. Cierre el suministro de gas hacia el electrodoméstico.
2. Apague cualquier llama directa.
3. Abra la tapa.
4. Si el olor persiste, manténgase alejado del electrodoméstico y llame de inmediato a su proveedor de gas o al Departamento de Bomberos.



ADVERTENCIA:

1. No almacene ni utilice gasolina u otros líquidos o vapores inflamables cerca de éste o cualquier otro electrodoméstico.
2. No se deben almacenar cilindros de gas de propano líquido que no estén conectados y en uso cerca de este u otro electrodoméstico.
3. Esta parrilla es sólo para uso en exteriores y no se debe usar en edificios, garajes, bajo salientes u otras áreas cerradas.
4. No deje la parrilla encendida sin supervisión. Mantenga a los niños y las mascotas alejados de la parrilla en todo momento.

¿Preguntas, problemas, piezas faltantes? Antes de volver a la tienda, llame a nuestro Departamento de Servicio al Cliente al 1-877-447-4768, de lunes a viernes de 8:30 a.m. a 4:30 p.m., hora central estándar, o envíenos un correo electrónico a customerservice@ghggroupinc.com.



NO VUELVA A LA TIENDA

- ¿Alguna pregunta sobre el ensamblaje?
- ¿Necesita información sobre las piezas?
- ¿Cuáles son los productos cubiertos por la garantía del fabricante?

Llame gratis al: 1-877-447-4768
de lunes a viernes, de 8:30 a.m. a 4:30 p.m., hora central estándar

Conserve este manual del propietario y el comprobante de compra para referencia futura

Ayúdenos a que podamos ayudarle

Complete la información a continuación:

Fecha de compra

Lugar de la compra

Número del modelo

No. de serie del producto

EL NÚMERO DEL MODELO Y EL NÚMERO DE SERIE DEL PRODUCTO SE
PUEDEN ENCONTRAR EN LA ETIQUETA DE CLASIFICACIÓN DE LA PARRILLA.

ÍNDICE

Información de seguridad	2
Contenido del paquete	5
Lista de piezas ilustradas	6
Aditamentos	6
Instrucciones de ensamblaje	8
Instrucciones de funcionamiento	22
Cuidado y mantenimiento	29
Solución de problemas	33
Lista de piezas de repuesto	36
Garantía	40

INFORMACIÓN DE SEGURIDAD

Lea y comprenda completamente este manual antes de intentar ensamblar, usar o instalar el producto. Si tiene preguntas relacionadas con el producto, llame al Servicio al Cliente al: 1-800-963-0211, de lunes a jueves de 8:00 a.m. a 6:00 p.m., y los viernes de 8:00 a.m. a 5:00 p.m., hora estándar del Este.

- Esta parrilla es sólo para uso en exteriores en áreas bien ventilados.
- Mantenga siempre un extintor de incendios Clase B cerca de este producto.
- NO almacene ni utilice gasolina ni otros vapores o líquidos inflamables dentro de 7,62 metros (25 pies) de distancia de éste u otro electrodoméstico.
- Cualquier cilindro de gas propano líquido que no esté conectado y en uso debe almacenarse a una distancia mínima de 3,05 metros (10 pies) de éste o cualquier otro electrodoméstico.
- NO utilice la unidad cerca o debajo de materiales inflamables o combustibles, como terrazas, porches o entradas para autos. Se recomienda una separación mínima de 91,44 cm (36"). NO utilice la unidad bajo techo.
- Debe haber un espacio de separación mínimo de 91,44 cm (36") desde los lados y la parte posterior de la unidad hasta las construcciones combustibles.
- El lado a propano de la parrilla debe utilizarse sólo con gas propano (no se incluye el cilindro de gas propano).
- Nunca intente conectar esta parrilla al sistema de gas propano autónomo de un bote, remolque para camping, casa rodante o casa.
- Nunca utilice líquido encendedor para carbón en el lado a GAS de la parrilla.
- No use gasolina, queroseno ni alcohol para encender la parrilla. El cilindro de suministro de gas propano que se utilice con este electrodoméstico debe estar:
 - (a) Fabricado y marcado según las especificaciones para cilindros de gas PL del Departamento de Transporte de EE.UU. (D.O.T., por sus siglas en inglés) o la Ley nacional de Canadá, CAN/CSA-B339, cilindros, esferas y tubos para el transporte de mercancías peligrosas; y la Comisión, según corresponda;
 - (b) debe incluir un dispositivo de prevención de sobrellenado homologado; y
 - (c) debe contar con un dispositivo de conexión del cilindro compatible con el conector para electrodomésticos de cocción de exteriores. Esta parrilla no está diseñada para usarse o instalarse en vehículos recreativos y/o botes.
- NO use este producto para otro fin que no sea el especificado. NO está diseñado para uso comercial.
- No intente mover la parrilla mientras esté encendida, caliente, en funcionamiento o mientras las cenizas aún estén calientes. Las ruedas deben estar con seguro cuando la parrilla no se esté moviendo.
- NO deje cenizas calientes sin supervisión hasta que la parrilla se enfríe por completo.
- NO use este electrodoméstico como un calentador.
- Utilice la unidad en una superficie estable, nivelada y no inflamable como asfalto, concreto o suelo firme. NO OPERE la unidad sobre materiales inflamables, como alfombras o terrazas de madera.
- Tenga precaución al ensamblar y utilizar esta unidad para evitar cortes y rayones producidos por los bordes.
- No use la parrilla a menos que esté completamente ensamblada y todas las piezas estén bien ajustadas y apretadas.
- Tenga precaución al levantar o mover la unidad para evitar dolores o lesiones de espalda.
- Mantenga todos los artículos y las superficies combustibles a una distancia mínima de 91,44 cm (36") de la parrilla en todo momento.
- No utilice la unidad en un entorno explosivo. Mantenga el área de la parrilla libre de materiales combustibles, gasolina y otros vapores o líquidos inflamables.

INFORMACIÓN DE SEGURIDAD

- No toque las piezas metálicas de la parrilla hasta que se hayan enfriado completamente (espere unos 45 minutos) para evitar quemaduras, a menos que utilice equipo de protección (tomaollas, guantes, manoplas para horno, etc.).
- No altere la parrilla de ninguna manera.
- Limpie e inspeccione la manguera antes de cada uso. Si hay evidencia de abrasión, desgaste, cortes o fugas, debe reemplazar la manguera antes de hacer funcionar el electrodoméstico. La manguera de repuesto debe ser la especificada por GHP Group, la que se menciona en la lista de piezas de repuesto de este manual.
- Coloque las mangueras de gas lo más lejos posible de superficies calientes y de donde pueda caer grasa caliente.
- Nunca guarde un contenedor lleno en un automóvil a altas temperaturas o en el portaequipajes del automóvil. El calor hace aumentar la presión del gas, lo que puede abrir la válvula de descarga y permitir que escape el gas.
- Mantenga limpios el compartimiento de la válvula, los quemadores y los pasajes de circulación de aire de la parrilla. Inspeccione la parrilla antes de cada uso. No obstruya el flujo de gas o del aire de ventilación.
- El consumo de alcohol, medicamentos recetados o medicamentos sin receta puede disminuir la capacidad del usuario para ensamblar o utilizar la parrilla de manera segura.
- Siempre abra la tapa de la parrilla lentamente y con cuidado, ya que el calor y el vapor atrapados dentro de la parrilla pueden causarle quemaduras graves.
- Siempre cocine los alimentos en la rejilla para carbón una vez que las llamas se hayan extinguido.
- Deseche las cenizas frías envolviéndolas con una hoja de aluminio resistente y colocándolas en un contenedor no combustible. Asegúrese de que no haya otros materiales combustibles dentro o cerca del contenedor.
- Si debe desechar las cenizas en un tiempo menor al requerido para que se enfríen por completo, retírelas de la unidad, colóquelas en un papel de aluminio para trabajo pesado y sumérjalas completamente en agua antes de arrojarlas en un contenedor no combustible.
- **No deje la parrilla encendida sin supervisión. Mantenga a los niños y las mascotas alejados de la parrilla en todo momento.**
- No coloque la parrilla sobre ningún tipo de superficie de mesa. La parrilla se debe colocar sobre una superficie plana y nivelada.
- No use la parrilla si hay viento fuerte.
- No modifique esta parrilla para usarla con otros accesorios para interiores o exteriores, como cubiertas prefabricadas o parrillas en isla empotradas.
- No use la parrilla en interiores.

PROPUESTA 65 DE CALIFORNIA

1. Los combustibles que se usan en electrodomésticos de combustión a gas o petróleo y los productos de la incineración de dichos combustibles contienen sustancias químicas reconocidas por el estado de California como causantes de cáncer, defectos congénitos u otros daños en el aparato reproductivo.
2. Este producto contiene sustancias químicas, incluido plomo y compuestos de plomo, reconocidas por el estado de California como causantes de cáncer, defectos congénitos u otros daños en el aparato reproductivo. **Lávese las manos después de manipularlo.**



INFORMACIÓN DE SEGURIDAD



ADVERTENCIA:

No coloque la parrilla debajo de construcciones o cobertizos inflamables. Debe haber un espacio de separación mínimo de 91,44 cm (36") desde los lados y la parte posterior de la unidad hasta construcciones de material combustible.

Todas las separaciones arriba conocidas están en cuanto a las estructuras o a la construcción de madera combustibles. Mayores separaciones se recomiendan para las estructuras o la construcción del vinilo.



NOTA: La instalación debe cumplir con los códigos locales o, en su defecto, con el Código nacional de gas combustible, ANSI Z223.1 /NFPA 54, con el Código de instalación de gas propano y gas natural CSA B149.1, o con el Código de manejo y almacenamiento de propano, B149.2.



PELIGRO

PELIGRO DE MONÓXIDO DE CARBONO

La quema de carbón en interiores puede ser fatal, ya que se genera monóxido de carbono, el cual no produce olor. NUNCA queme carbón en el interior de casas, garajes, vehículos o carpas.

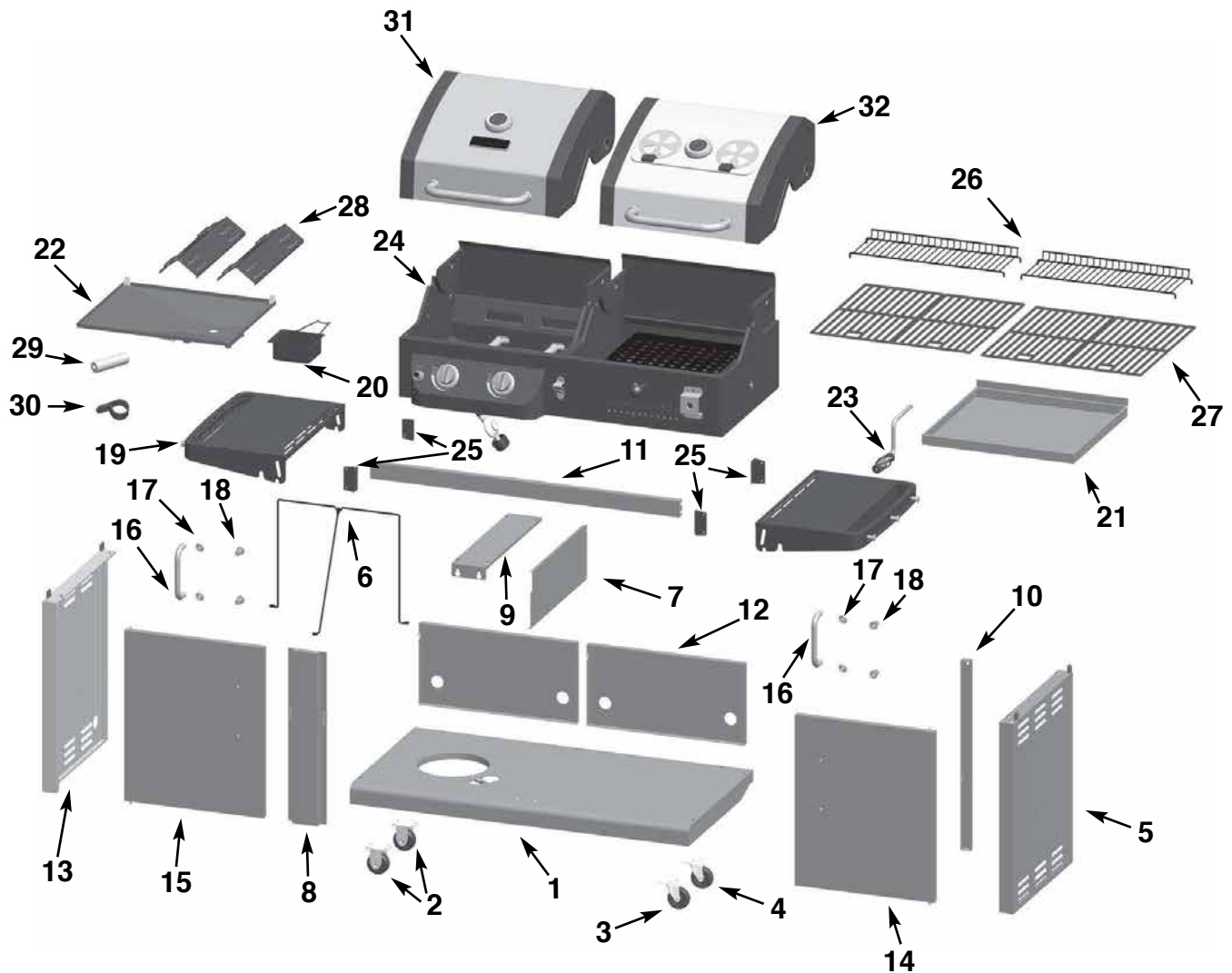
CONTENIDO DEL PAQUETE

ANTES DE COMENZAR A ENSAMBLAR, DESEMPAQUE LA CAJA Y VERIFIQUE EL CONTENIDO. COMPARE LAS PIEZAS ADJUNTAS CON LA LISTA Y EL DIAGRAMA DEL CONTENIDO DEL PAQUETE. NO INTENTE ENSAMBLAR EL PRODUCTO SI FALTA ALGUNA PIEZA O SI ÉSTAS ESTÁN DAÑADAS. PÓNGASE EN CONTACTO CON EL DEPARTAMENTO DE SERVICIO AL CLIENTE PARA OBTENER PIEZAS DE REPUESTO.

Llame al 1-877-447-4768, de lunes a viernes de 8:30 a.m. a 4:30 p.m., hora central estándar.

Pieza N°	Descripción	Cant.	Pieza N°	Descripción	Cant.
1	repisa inferior	1	17	bisel de la manija de la puerta	4
2	rueda de dirección	2	18	pasador de la manija de la puerta	4
3	rueda giratoria sin bloqueo	1	19	mesa auxiliar	2
4	rueda giratoria con bloqueo	1	20	taza para la grasa	1
5	panel derecho del carrito	1	21	bandeja para las cenizas	1
6	exclusión del cilindro de PL	1	22	bandeja para la grasa	1
7	escudo térmico	1	23	ajuste de la bandeja el carbón manija	1
8	platina vertical frontal del carrito	1	24	cuerpo de la parrilla	1
9	platina de la cruz media del carrito	1	25	soporte de la mesa auxiliar	4
10	platina vertical posterior del carrito	1	26	rejilla para calentar los alimentos	2
11	abrazadera de puerta frontal superior	1	27	parrilla de cocción	4
12	panel posterior del carrito	2	28	cubierta de calor	2
13	panel izquierdo del carrito	1	29	pila AAA (1.5V)	1
14	ensamble de la puerta derecha	1	30	soporte de la manguera de gas PL	1
15	ensamble de la puerta izquierda	1	31	ensamble del tapa del parrilla de gas	1
16	manija de la puerta	2	32	ensamble ls tapa del parrilla de carbón	1

CONTENIDO DEL PAQUETE



Herramientas necesarias para el desembalaje, ensamblaje y la prueba de fugas de este producto:



Botella con atomizador



Tiempo aproximado de ensamblaje: de 30 a 45 minutos.

Parrilla a Doble Combustible



ADITAMENTOS

Pieza	Descripción	Cant.	Fig.
A	Tornillo M6x12	52	
A	Tornillo M6x12 (Pre-montado en la puerta del gabinete se encarga de)	4	
B	Arandela plana de 6 mm	23	
C	Arandela de resorte de 6 mm	16	
D	Tornillo M4x12	8	
E	M6 Tornillo de hombro	8	
F	M4 Tuerca	1	
G	Pasador de chaveta	1	
H	Tapa Pivot Pin A	2	
I	Tapa Pivot Pin B	1	
J	Roscado	3	

INSTRUCCIONES DE ENSAMBLAJE

NOTA: Tenga precaución al armar y operar esta unidad para evitar cortes y rasguños con los bordes.

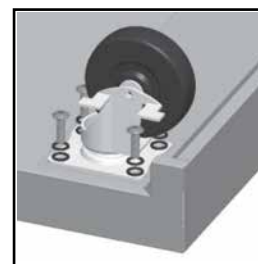
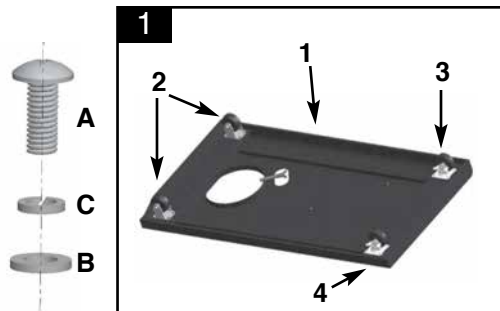
Paso 1: Instale las ruedas, incluyendo las 2 ruedas de dirección (2), 1 rueda giratoria sin bloqueo (3), y 1 rueda giratoria de bloqueo (4), sobre la repisa inferior (1) utilizando los tornillos M6x12 (A), arandelas de resorte M6 (C,) y arandelas planas M6 (B) como se ilustra.

Aditamentos utilizados

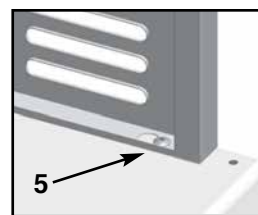
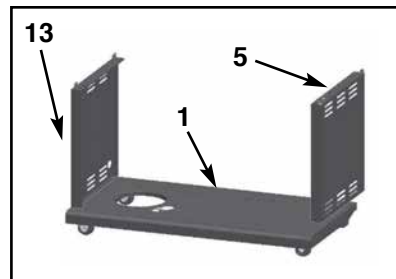
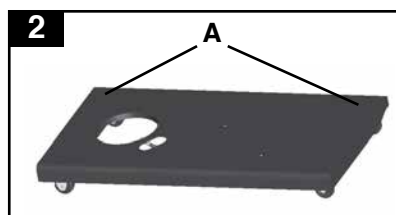
A Tornillo M6x12 Cant.: 16 pzs

B Arandela plana de 6 mm Cant.: 16 pzs

C Arandela de resorte de 6 mm Cant.: 16 pzs



Paso 2: Inserte 4 tornillos (A) en los agujeros de la repisa inferior (1), dejando 4-6mm de separación desde la cabeza del tornillo a la repisa inferior (1). Acople el panel izquierdo del carrito (13) mediante la colocación de los orificios tipo-cerradura del panel sobre las cabezas de los tornillos (A) en el lado izquierdo de la repisa inferior (1); deslice el panel izquierdo del carrito (13) de modo que la cabeza del tornillo esté sobre la parte más pequeña del orificio tipo-cerradura. Enrosque el tornillo (A) apretando un poco, pero no completamente en este paso. Repita lo mismo con el panel derecho del carrito (5).



Aditamentos utilizados

A Tornillo M6x12 Cant.: 4 pcs

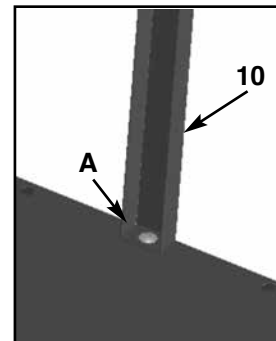
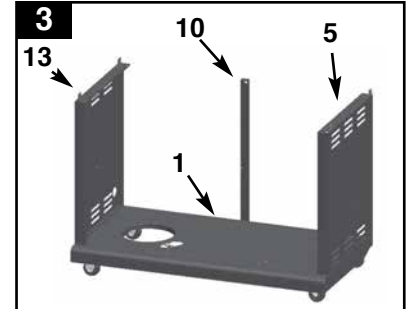


INSTRUCCIONES DE ENSAMBLAJE

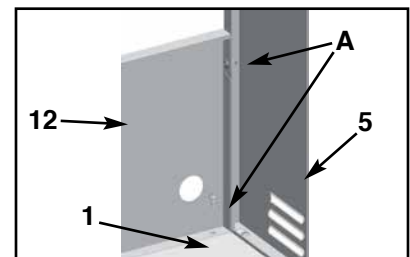
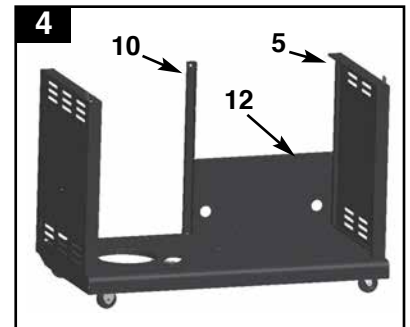
Paso 3: Acople la platina vertical posterior del carrito (10) a la mitad de la parte posterior de la repisa inferior (1) mediante un tornillo M6x12 (A). Apriete el tornillo.

Aditamentos utilizados

A Tornillo M6x12 Cant.: 1 pcs



Paso 4: Inserte un tornillo M6x12 (A) en cada uno de los agujeros traseros del panel derecho del carrito y de la platina vertical posterior del carrito (5 & 10), dejando 4-6mm de separación desde la cabeza del tornillo al panel derecho y a la platina vertical posterior del carrito (5 & 10). Acople uno de los paneles posteriores del carrito (12) deslizando los orificios tipo-cerradura en el panel posterior del carrito sobre los tornillos insertados; y luego empuje con fuerza. Asegure el panel trasero del carrito (12) a la repisa inferior (1) mediante dos tornillos M6x12 (A). Apriete los dos tornillos M6x12 al panel derecho del carrito y a la platina vertical posterior del carrito (5 y 10).



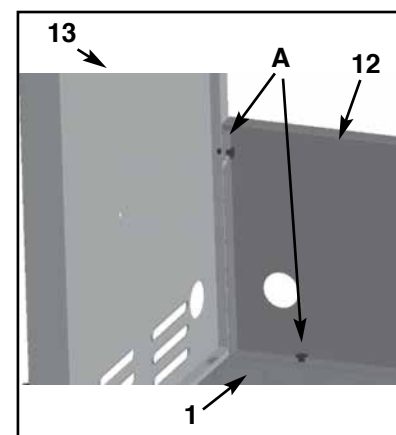
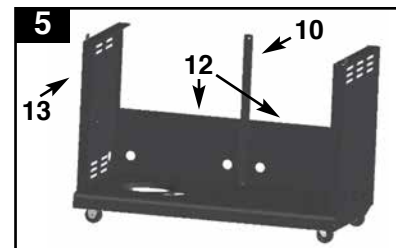
Aditamentos utilizados

A Tornillo M6x12 Cant.: 4 pcs



INSTRUCCIONES DE ENSAMBLAJE

Paso 5: Inserte un tornillo M6x12 (A) en cada uno de los orificios traseros del panel izquierdo del carrito y de la platina vertical posterior del carrito (13 y 10), dejando 4-6mm de separación desde la cabeza del tornillo al panel izquierdo del carrito y a la platina vertical posterior del carrito (13 y 10). Fije los otros paneles traseros del carrito (12) deslizando los orificios tipo-cerradura en el panel posterior del carrito sobre los tornillos insertados y luego empuje con fuerza. Asegure el panel trasero del carrito (12) a la repisa inferior (1) mediante dos tornillos M6x12 (A). Apriete los dos tornillos M6x12 sobre el panel izquierdo del carrito y la platina vertical trasera del carrito (13 y 10).

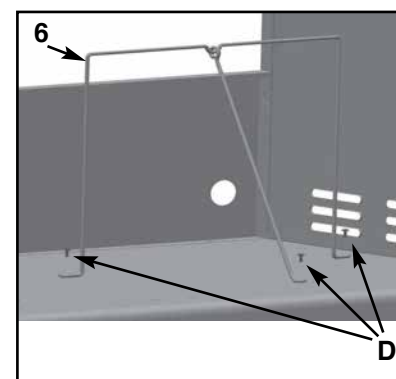
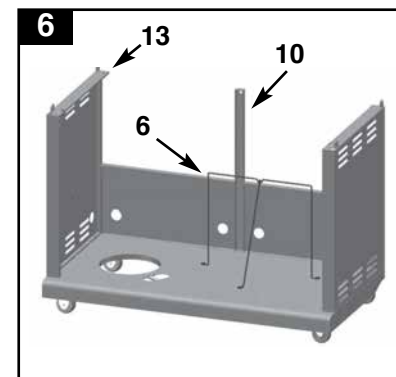


Aditamentos utilizados

A Tornillo M6x12 Cant.: 4 pcs



Paso 6: Acople la exclusión del tanque de gas (6) a la repisa inferior (1) por medio de tres tornillos M4x12 (D).



Aditamentos utilizados

D Tornillo M4x12 Cant.: 3 pcs

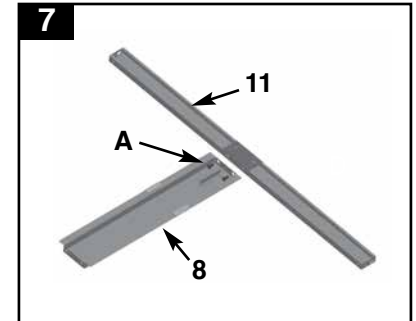


INSTRUCCIONES DE ENSAMBLAJE

Paso 7: Pre-ensamble la platina vertical frontal del carrito (8) y la abrazadera de la puerta delantera superior (11) formando una "T", utilizando dos tornillos M6x12 (A).

Aditamentos utilizados

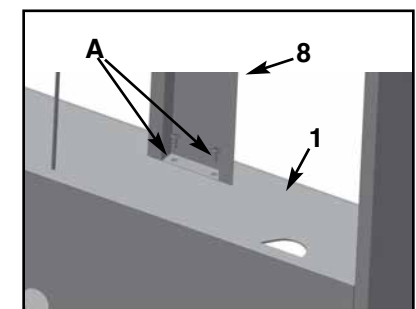
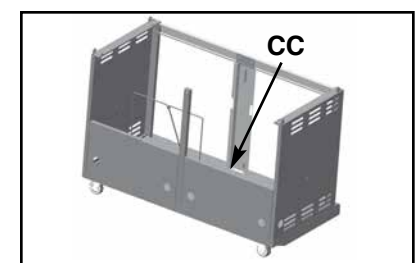
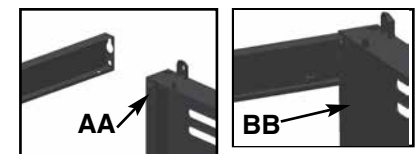
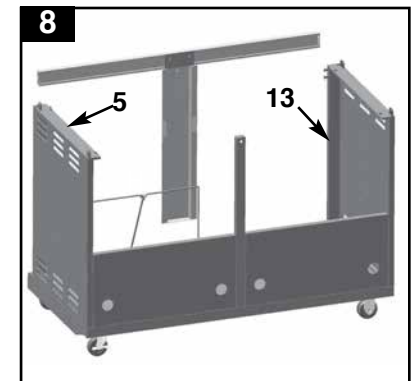
A Tornillo M6x12 Cant.: 2 pcs



Paso 8: Pre-ensamble la platina vertical frontal del carrito (8) y abrazadera de la puerta delantera superior (11) como una "T". Inserte dos tornillos M6x12 (A) en cada uno de los agujeros de montaje superiores (etiquetados como AA) en los paneles izquierdo y derecho del carrito (13 y 5), dejando 4-6mm de separación desde la cabeza del tornillo a los paneles izquierdo y derecho del carrito (13 y 5). Acople la platina vertical frontal del carrito (8) y el ensamble de la abrazadera de la puerta frontal superior (11) mediante la colocación de los agujeros tipo-cerradura sobre la cabeza del tornillo insertado (A) en los paneles laterales (13 y 5); deslice la abrazadera de la puerta frontal superior (11) de modo que la cabeza del tornillo esté sobre el orificio más pequeño. Asegure los tornillos, pero no los apriete completamente en este momento. Asegure otros dos tornillos M6x12 en los orificios (etiquetados como BB). Finalmente, asegure la platina vertical frontal del carrito (8) a la repisa inferior (etiquetada como CC) utilizando dos tornillos M6x12 (A).

Aditamentos utilizados

A Tornillo M6x12 Cant.: 6 pcs

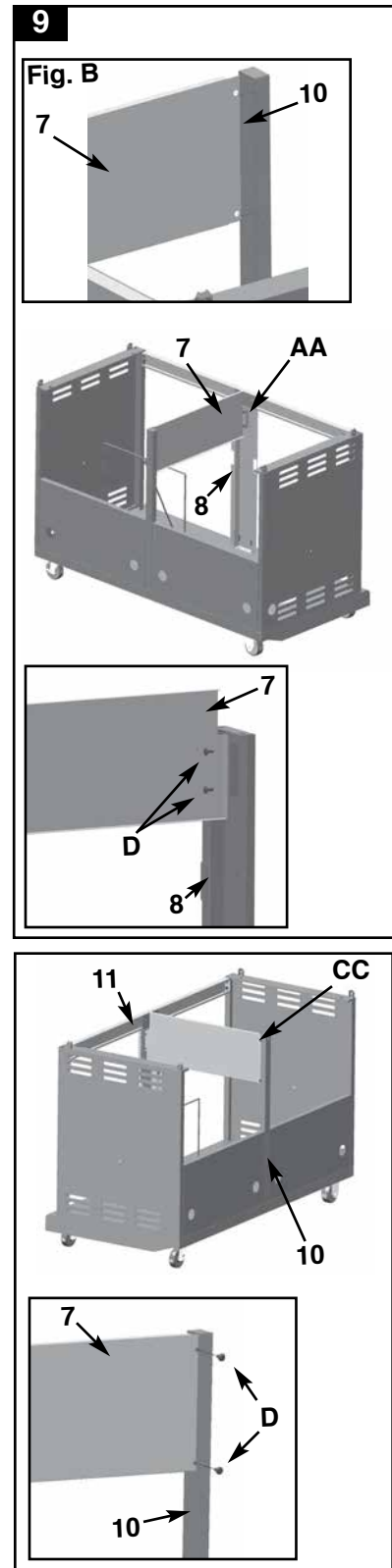


INSTRUCCIONES DE ENSAMBLAJE

Paso 9: Coloque el escudo térmico (7) en la platina vertical trasera del carrito (10), como se ilustra en la figura aumentada B que se encuentra debajo. Asegure el escudo térmico (7) a la platina vertical frontal del carrito (8, etiquetada como AA) utilizando dos M4x12 tornillos (D); asegure el escudo térmico (7) a la platina vertical trasera del carrito (10, etiquetada como CC) utilizando dos tornillos M4x12 (D).

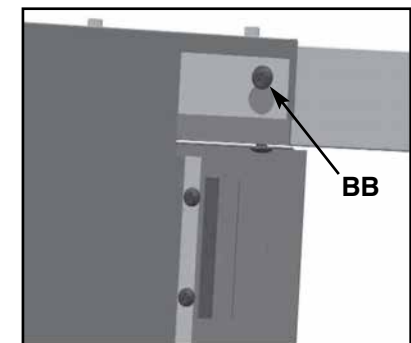
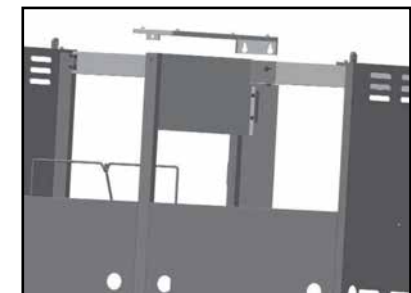
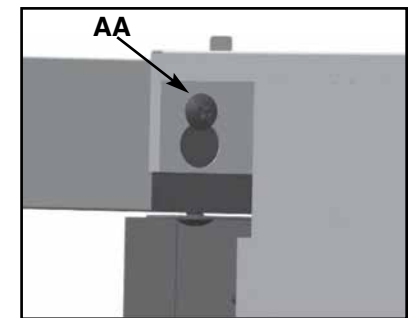
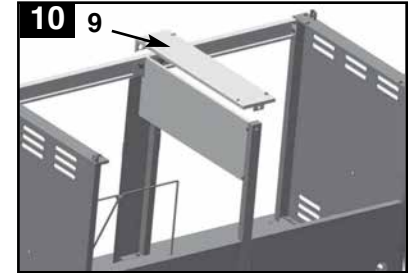
Aditamentos utilizados

D Tornillo M4x12 Cant.: 4 pcs



INSTRUCCIONES DE ENSAMBLAJE

Paso 10: Inserte dos tornillos M6x12 (A) en la abrazadera de la puerta frontal superior (11, etiquetada como AA y BB), dejando 4-6mm de separación desde la cabeza del tornillo a la abrazadera de la puerta frontal superior (11). Acople la platina de la cruz media del carrito (9) mediante la colocación de los orificios tipo-cerradura sobre la cabeza del tornillo (A) en la abrazadera de la puerta frontal superior (11); deslice la platina de la cruz media del carrito (9) de modo que la cabeza del tornillo esté sobre la parte más pequeña del hueco tipo-cerradura. Asegure los tornillos pero sin apretar completamente en este momento. Instale un tornillo M6x12 (A), marcado como CC. Apriete los tornillos.



Vista desde la parte posterior.

Aditamentos utilizados

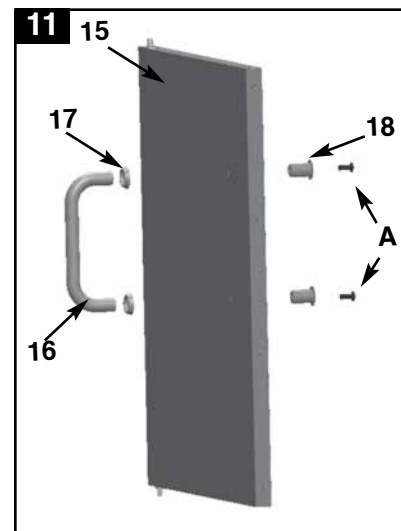
A Tornillo M6x12 Cant.: 3 pcs 

INSTRUCCIONES DE ENSAMBLAJE

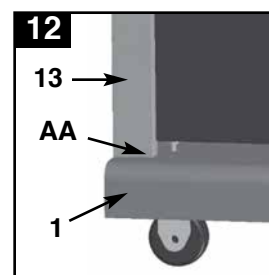
Paso 11: Retire de la manija de la puerta, los dos tornillos M6x12 (A) pre-instalados y el pasador de la manija de la puerta (18). Inserte los 2 pasadores de la puerta (18) dentro de los orificios situados en la parte posterior del ensamble de la puerta izquierda (15); inserte dos tornillos M6x12 (A) dentro del pasador de la manija de la puerta (18), a través de los biselados de la manija de la puerta (17) y en los agujeros roscados en la manijas de la puerta. Apriete los tornillos. Repita lo mismo con el ensamble de la puerta derecha (14).

Aditamentos utilizados

A Tornillo M6x12 Cant.: 4 pcs
(Pre-montado en la puerta del gabinete se encarga de)



Paso 12: Inserte el pin de la bisagra inferior del ensamble de la puerta izquierda (15) en el orificio (etiquetado como AA) en la repisa inferior (1). Presione a mano el pin de la bisagra en la parte superior del ensamble de la puerta izquierda (15) e introdúzcalo dentro del agujero (etiquetado como BB) de la abrazadera frontal superior (11). Repita lo mismo con el ensamble de la puerta derecha (14).



INSTRUCCIONES DE ENSAMBLAJE

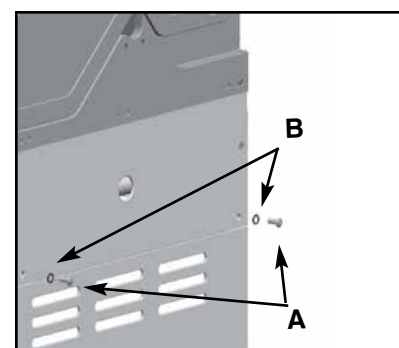
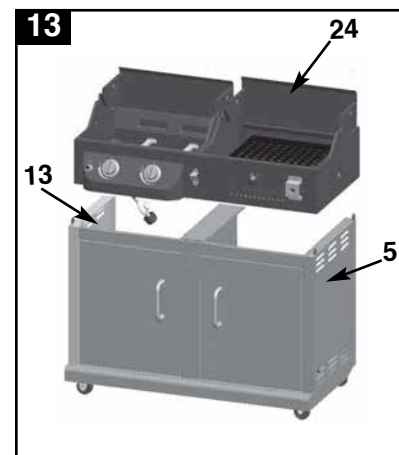
Paso 13: Coloque cuidadosamente el cuerpo de la parrilla (24) entre los paneles izquierdo y derecho del carrito (13 y 5). Ajuste el cuerpo de la parrilla (24) de modo que los orificios en el cuerpo de la parrilla (24) estén alineados con los orificios en las pestañas de los paneles laterales del carrito (13 y 5). **NOTA:** Asegúrese de que la manguera de gas esté dentro del carrito. Fije el cuerpo de la parrilla (24) mediante dos tornillos M6x12 (A) y arandelas planas (B) en cada lado.

Aditamentos utilizados

A Tornillo M6x12 Cant.: 4 pcs

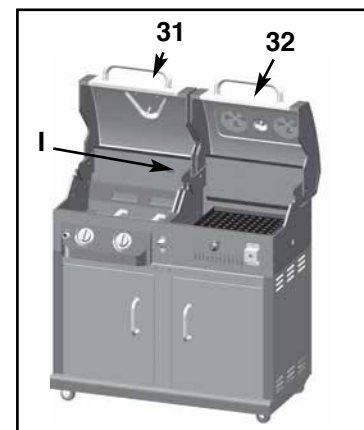
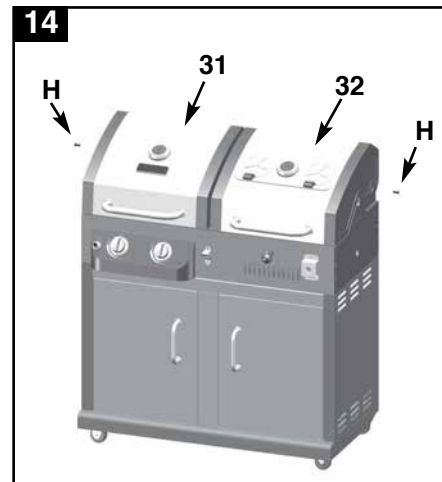


B Arandela plana de 6 mm Cant.: 4 pcs



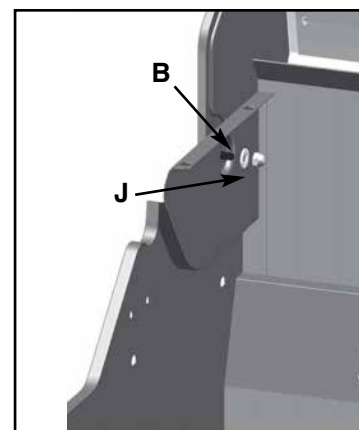
INSTRUCCIONES DE ENSAMBLAJE

Paso 14: Coloque con cuidado el ensamble de la tapa de la parrilla de gas (31) y el ensamble de la tapa de la parrilla de carbón (32) en la parrilla de gas y en la cámara de combustión de carbón respectivamente. Inserte 1 pin de pivote de la tapa A-izquierdo y derecho HH dentro del agujero en el costado izquierdo del panel izquierdo de la tapa de la cámara de combustión de gas (31); Inserte 1 pin de pivote de la tapa A-izquierdo y derecho (H) en el orificio del panel derecho de la cámara de combustión de carbón a través del agujero de montaje derecho en el costado derecho del ensamble de la tapa de la parrilla de carbón (32); Inserte 1 pin de pivote de la tapa B-Medio II dentro del agujero en el lado derecho de la cámara de combustión de gas a través del agujero a la derecha del ensamble de la tapa de la parrilla de gas (31), del agujero en el lado izquierdo del ensamble de la tapa de la parrilla de carbón (32), y del agujero en el lado izquierdo de la cámara de combustión de carbón. Nota: Levante el ensamble de la tapa de la parrilla de gas (31) y el ensamble de la tapa de la parrilla de carbón (32), mientras inserta los pines de pivote de las tapas; asegúrese de que los orificios estén en posición. Asegure el pin de pivote de la tapa A - izquierdo y derecho (H) y el pin de pivote de la tapa B-Medio II con 3 tuercas de sombrero (J) y 3 arandelas planas (B).



Aditamentos utilizados

H	Tapa del pasador de pivote A	Cant.: 2 pcs	
I	Tapa del pasador de pivote B	Cant.: 1 pcs	
J	Roscado	Cant.: 3 pcs	
B	Arandela plana de 6 mm	Cant.: 3 pcs	

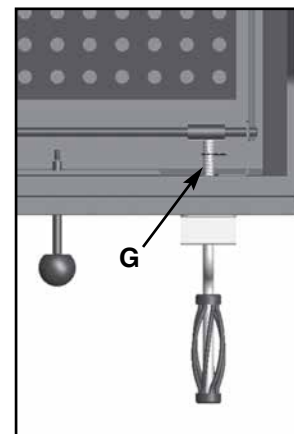


INSTRUCCIONES DE ENSAMBLAJE

Paso 15: Acople la manija de ajuste de la bandeja de carbón (23) al cuerpo de la parrilla (24) girando la manija hacia la derecha. Inserte el pasador de seguridad (G), mientras que la manija de ajuste de la bandeja de carbón (23) gira en posición.

Aditamentos utilizados

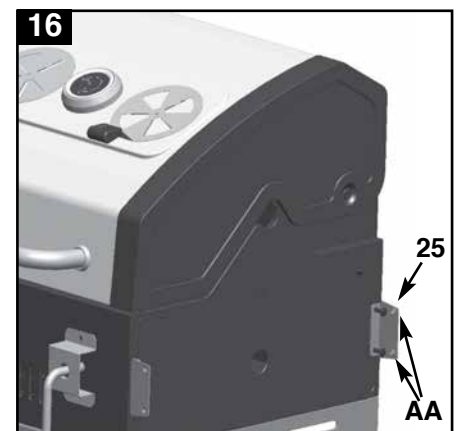
G Pasador de chaveta Cant.: 1 pcs 



Paso 16: Instale por separado cuatro soportes de las mesas auxiliares (25) con dos tornillos M6x12 (A), en los orificios (marcados como AA) en el lado del cuerpo de la parrilla (24) y apriete los tornillos.

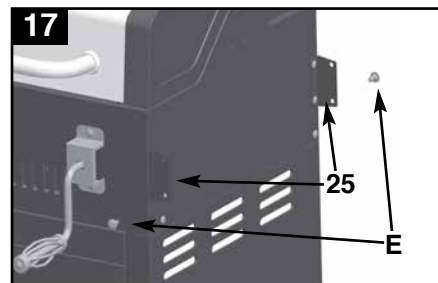
Aditamentos utilizados

A Tornillo M6x12 Cant.: 8 pcs 



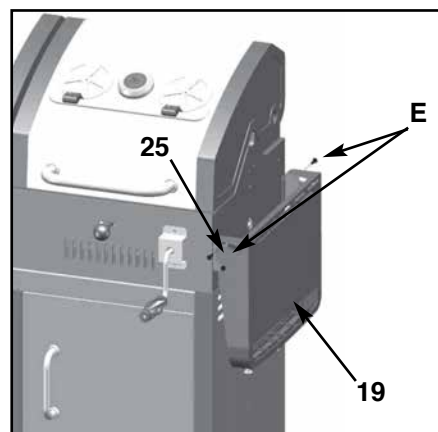
INSTRUCCIONES DE ENSAMBLAJE

Paso 17: En primer lugar, enrosque 2 tornillos de tope (E) en los agujeros de los soportes de las mesas auxiliares (25) como se muestra. Asegure la mesa auxiliar (19) al soporte de dicha mesa (25) apretando los 2 tornillos de tope (E) en los orificios, como se muestra. Repita este paso con la otra mesa auxiliar.



Aditamentos utilizados

E M6 Tornillo de hombro Cant.: 8 pcs 

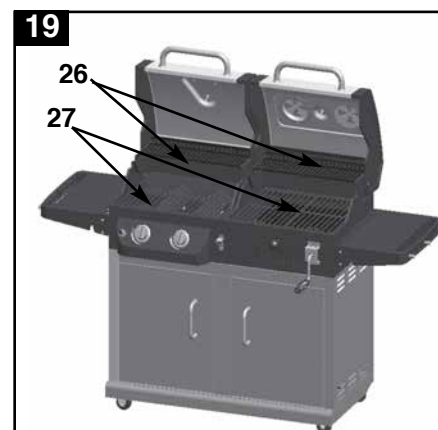


! ADVERTENCIA: ES MUY IMPORTANTE PARA VER Y ASEGURAR QUE CADA QUEMADOR ESTÁ PLENAMENTE COMPROMETIDA CON LA VÁLVULA ADYACENTE ORIFICIO ANTES DE COMPLETAR EL PASO 18. NO HACERLO PUEDE PROVOCAR UN INCENDIO O EXPLOSIÓN POSIBLEMENTE LESIÓN GRAVE A LA LESIONES O MUERTE. CONSULTE EL MANTENIMIENTO INSTRUCCIONES DE SECCIÓN COMPROBAR CORRECTAMENTE EL COMPROMISO.



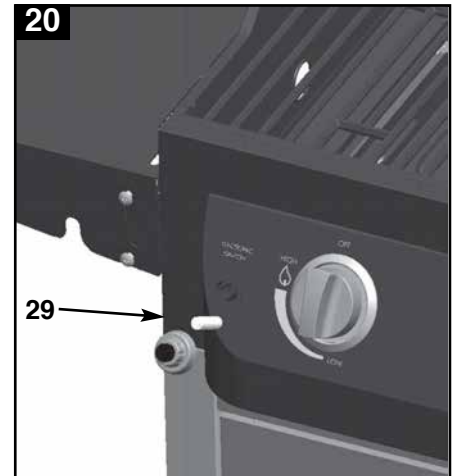
Paso 18: Coloque la cubierta de calor (28) en el cuerpo de la parrilla de gas (24).

Paso 19: Coloque la parrilla de cocción (27) en el cuerpo de la parrilla (24); luego acople la rejilla de calentamiento (26) en el cuerpo de la parrilla (24). Nota: La rejilla de calentamiento (26) se inserta en los cuatro agujeros que están en ambos lados del cuerpo de la parrilla (24).

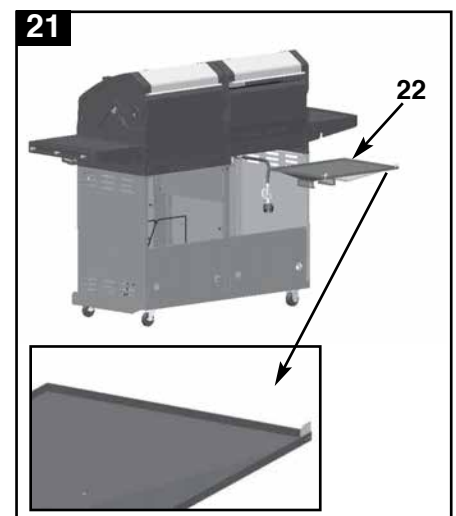


INSTRUCCIONES DE ENSAMBLAJE

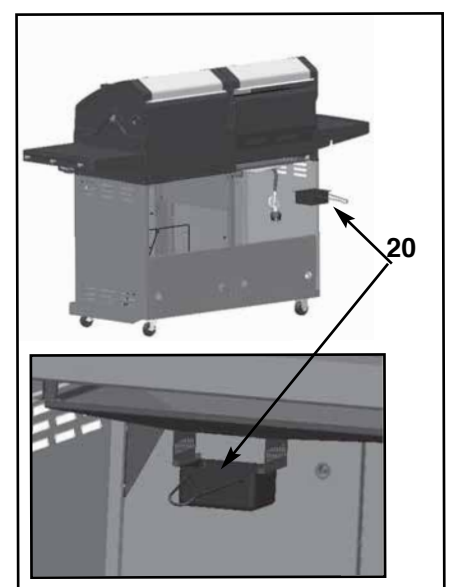
Paso 20: Retire los tornillos de la tapa del encendedor y coloque la pila AAA (29) en el cuerpo del encendedor, con el positivo '+' hacia fuera. Vuelva a colocar la tapa del encendedor.



Paso 21: Inserte en posición la bandeja para la grasa (22), deslizándola en el cuerpo de la parrilla de gas desde la parte posterior (como se ilustra), a lo largo de los rieles situados justo debajo de la parte inferior del cuerpo de la parrilla. NOTA: La bandeja para la grasa DEBE estar en la posición como se muestra a continuación (los rieles de soporte de la taza para la grasa deben estar a su izquierda si está mirando la parte trasera de la parrilla).



Inserte la taza para la grasa (20) en posición deslizándola en los rieles de soporte en el lado inferior de la bandeja para la grasa.

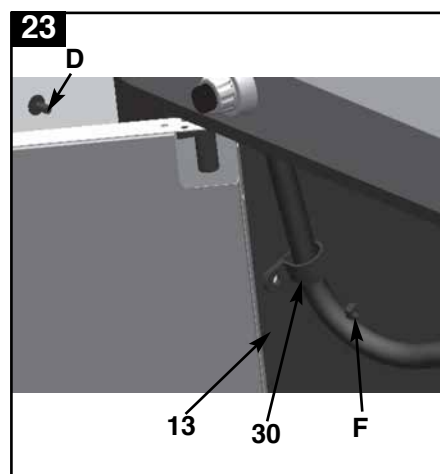


INSTRUCCIONES DE ENSAMBLAJE

Paso 22: Inserte la bandeja de carbón (21) en los rieles de soporte en la parte inferior del cuerpo de parrilla de carbón.



Paso 23: Asegure la manguera de gas y el ensamble del soporte de la manguera de gas PL (30) al ensamble del panel izquierdo del carrito (13), apretando un tornillo M4x12 (D) y una tuerca M4 (F) en el orificio en la mesa auxiliar izquierda. **NOTA:** El soporte de la manguera de gas LP (30) debe rodear completamente la manguera de gas antes de fijarla al panel izquierdo del carrito (13) como se muestra.



Hardware Used

D	Tornillo M4x12	Cant.: 1 pcs	
F	M4 Tuerca	Cant.: 1 pcs	

Paso 24: Abra el ensamble de la puerta del carrito (15 y 14) e inserte el cilindro de gas PL (vendido por separado) en la anidación situada en la repisa inferior (1). Aliníe el acoplamiento del tornillo manual de la manguera / regulador con la válvula roscada del cilindro, girando el cilindro de gas PL hasta que quede en la posición correcta. Apriete a mano el acoplamiento manguera / regulador a la válvula roscada del cilindro de gas PL. Apriete el tornillo del tanque hasta que el cilindro esté asegurado dentro del anidamiento de la repisa inferior (1).

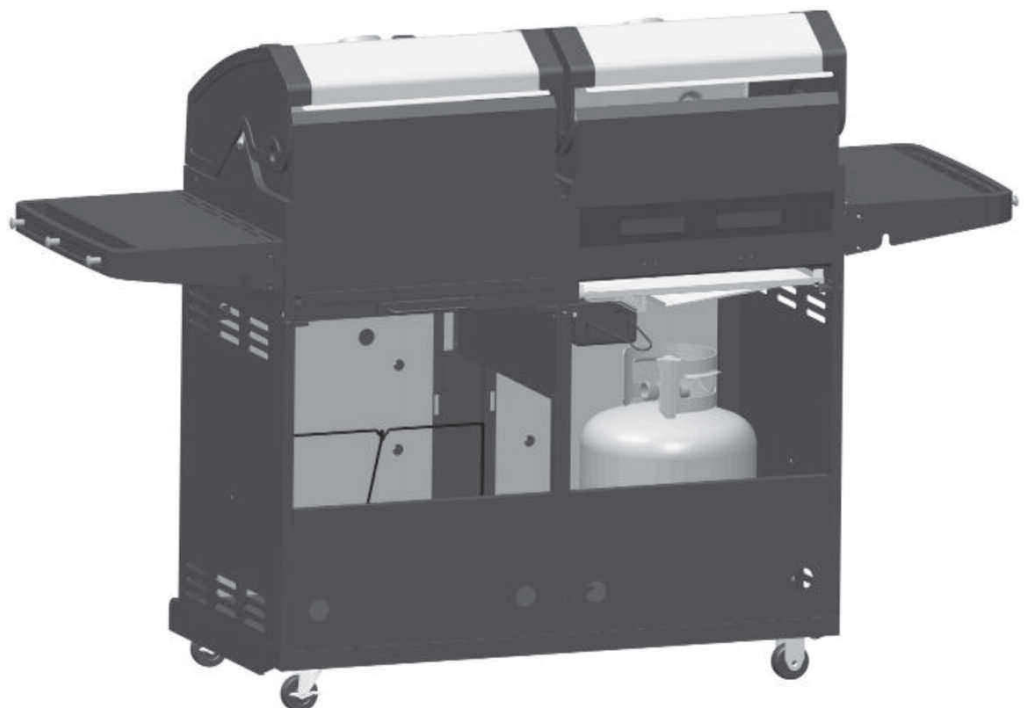


INSTRUCCIONES DE ENSAMBLAJE

Grill Completamente Montado



Vista frontal



Vista posterior

INSTRUCCIONES DE FUNCIONAMIENTO PARA LOS QUEMADORES A GAS

⚠ PRECAUCIÓN

Use solamente el ensamble del regulador y la manguera incluido. Si necesita un repuesto, llame a nuestro centro de servicio al cliente. No use piezas de repuesto que no están diseñadas para esta parrilla.

Conexión del cilindro de gas:

CONEXIÓN DEL CILINDRO DE GAS

El cilindro de suministro de gas propano que se utilizará debe estar fabricado y marcado según las especificaciones para cilindros de gas PL del Departamento de Transporte de EE.UU. (DOT) o la Ley nacional de Canadá, CAN/CSA-B339, cilindros, esferas y tubos para el transporte de mercancías peligrosas; y la Comisión, según corresponda; y debe incluir un dispositivo de prevención de sobrellenado homologado.

Sólo use cilindros de 9,07 kg (altura 450,85 mm, diámetro del tanque 304,80 mm, diámetro de la base: 203,20 mm) equipado con un dispositivo de conexión para el cilindro compatible con la conexión para electrodomésticos para cocinar en exteriores. El cilindro debe incluir un anillo para proteger su válvula. No debe dejar caer el cilindro de gas ni manipularlo bruscamente.

Si no utiliza el electrodoméstico, debe desconectar el cilindro de gas. Puede almacenar la unidad en el interior SÓLO si desconecta y retira el cilindro del electrodoméstico. Los cilindros se deben almacenar en el exterior, fuera del alcance de los niños, y no deben almacenarse en un edificio, garaje o cualquier otra área cerrada. El cilindro nunca se debe almacenar en lugares en que las temperaturas puedan superar los 51,7 °C.

Coloque la tapa en la salida de la válvula del cilindro cuando no esté en uso. Sólo instale el tipo de tapa que se proporciona con la válvula del cilindro en la salida de la válvula del cilindro. Otros tipos de tapas o taponos pueden causar una fuga de propano.

Antes de realizar la conexión, asegúrese de que no haya suciedad en la salida del cilindro de gas, la salida de la válvula del regulador o en la salida y los orificios de los quemadores. Conecte la válvula del regulador y apriete firmemente con la mano. Mantenga la válvula del cilindro de propano cerrada y desconecte el cilindro de propano de la válvula del regulador cuando no use la parrilla.

NO obstruya el flujo del aire de combustión y del aire de ventilación a la parrilla. El cilindro de propano debe estar arreglado para extracción de vapor y equipado con un dispositivo de prevención de sobrellenado homologado. Coloque el cilindro en la orientación correcta para realizar la extracción de vapor. **NOTA:** El cilindro debe estar completamente vertical para que el cilindro sólo tenga extracción de vapor.



Correcto



Incorrecto



Incorrecto

INSTRUCCIONES DE FUNCIONAMIENTO PARA LOS QUEMADORES A GAS

⚠ PRECAUCIÓN



- No almacene un tanque de gas PL de reserva debajo o cerca de este electrodoméstico.
- Nunca llene el tanque más allá del 80% de su capacidad.
- Si no sigue con precisión la información en (a) y (b), puede provocar un incendio que produzca lesiones graves o la muerte.

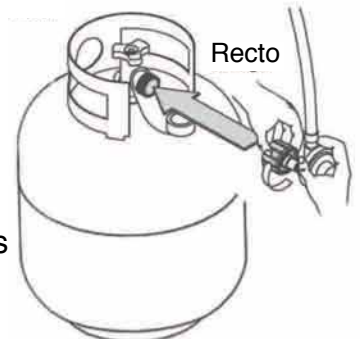
NOTA: Es posible que otros cilindros sean aceptables para su uso con este electrodoméstico si es que son compatibles con el orificio de alojamiento y los medios de retención del electrodoméstico. Consulte el Paso 20 de las Instrucciones de ensamblaje para conocer la conexión correcta del cilindro al soporte del cilindro.


⚠ ADVERTENCIA


SE DEBEN SEGUIR TODAS LAS INSTRUCCIONES Y MEDIDAS DE SEGURIDAD DE ESTA PÁGINA PARA EVITAR INCENDIOS, DAÑOS Y/O LESIONES.

CONEXIÓN DEL TANQUE DE GAS PROPANO

- La perilla del tanque de gas propano debe estar cerrada. Asegúrese de girar la perilla en dirección de las manecillas del reloj  hasta que se detenga por completo. Se debe adaptar el sistema de suministro del cilindro para la extracción de vapores.
- Verifique que la perilla de control en la unidad de control esté apagada.
- Retire la tapa protectora de la válvula del tanque de gas propano y la tuerca del conector.
- Sostenga el regulador con una mano e inserte la boquilla en la salida de la válvula. Asegúrese de que la boquilla esté centrada en la salida de la válvula. La tuerca del conector se conecta a las roscas externas grandes en la salida de la válvula. Tenga cuidado, no dañe las roscas de la conexión.
- Apriete a mano la tuerca del conector en dirección de las manecillas del reloj  hasta que se detenga por completo. Apriete bien, a mano solamente. No use herramientas.



Para desconectar: Cierre completamente la válvula del tanque girándola en dirección de las manecillas del reloj .

Gire la tuerca de acoplamiento en dirección contraria a las manecillas del reloj  hasta que el ensamble del regulador se separe.

⚠ ADVERTENCIA

En el proceso de conexión, asegúrese de que:

- el conector de entrada del regulador coincida con la salida de la válvula del cilindro de manera correcta, segura y firme, y;
- la manguera de gas propano no entre en contacto ni permanezca en contacto con la cámara de combustión.

INSTRUCCIONES DE FUNCIONAMIENTO PARA LOS QUEMADORES A GAS

BÚSQUEDA DE FUGAS

Después de hacer todas las conexiones, verifique que ninguna de las conexiones y los conectores de la válvula del tanque de gas PL, la manguera de gas ni el regulador tenga fugas con una solución de agua y jabón.

Para evitar incendios o explosiones al revisar una fuga:

- Siempre realice la prueba de fuga antes de encender la parrilla.
- No fume durante la prueba de fuga.
- Siempre realice las pruebas de fugas en exteriores, en un área bien ventilada.
- No utilice ninguna fuente de llamas al realizar la prueba de fugas.
- No use la parrilla hasta que haya corregido todas las fugas.
- Si no puede corregir una fuga, desconecte el suministro de propano y llame a un proveedor de servicios de electrodomésticos a gas.

REALIZACIÓN DE UNA PRUEBA DE FUGAS

- Prepare una solución de prueba de fugas mezclando 1 parte de detergente líquido para platos y 3 partes de agua. La solución total necesaria es de aproximadamente 59,15 a 88,72 ml (2 a 3 oz).
- Coloque la solución para pruebas de fugas en una botella con atomizador.
- Asegúrese de que todas las perillas de control estén en la posición "OFF" (APAGADO).
- Abra la válvula del tanque de gas PL.
- Rocíe la solución para pruebas de fugas en todas las conexiones y los conectores por donde circule gas. La presencia de burbujas donde se aplicó la solución para pruebas indica una fuga de gas. Si detecta fugas o huele u oye gas, cierre el tanque de gas PL inmediatamente y repare o reemplace la pieza defectuosa. No use la parrilla hasta que haya corregido todas las fugas.

Encendido de la parrilla

Antes del primer uso

Retire todo elemento colgante o correas de plástico, si las hay.

Antes de cocinar en la nueva parrilla a gas, es importante limpiar la parrilla con calor.



Para hacerlo, haga funcionar la parrilla durante aproximadamente 15 minutos con la tapa cerrada y todas las perillas de control del quemador principal en la posición máxima. Esto limpiará las piezas internas quemando cualquier residuo y disipará el olor del proceso de fabricación. NOTA: NO es necesario realizar este procedimiento con el quemador lateral.

⚠ PRECAUCIÓN: Si la llama se apaga de manera accidental durante el encendido o el funcionamiento, **CIERRE** inmediatamente la válvula del cilindro y las perillas de control.

INSTRUCCIONES DE FUNCIONAMIENTO PARA LA PARRILLA A GAS

INSTRUCCIONES DE ENCENDIDO PARA PARA LA PARRILLA A GAS

**⚠ Advertencia: No se incline sobre la parrilla cuando al este encendiendo.
Lea las instrucciones antes de encender.**


1. Verifique que las perillas de control de encendido estén en la posición de **○ OFF (APAGADO)**.
2. Abra completamente la válvula del tanque girándola en dirección contraria a las manecillas del reloj .
3. Abra la tapa durante el encendido.
4. Presione la perilla de control de encendido y se gira la perilla de control lateral derecha hasta la posición  **HIGH (ALTA)**.
El quemador debe encenderse.
5. Repita el procedimiento para todos los otros quemadores.
Si el encendido no se produce dentro de los 5 segundos, inmediatamente gire la perilla de control a la **○ OFF (APAGADO)** posición. Espere 5 minutos y repita el paso 4 anterior o se refieren a coincidir con las instrucciones de encendido con fósforos.

Si el quemador continúa sin encenderse, verifique que el cilindro tiene gas y siga las instrucciones de encendido con fósforos.

INSTRUCCIONES DE FUNCIONAMIENTO PARA LA PARRILLA A GAS

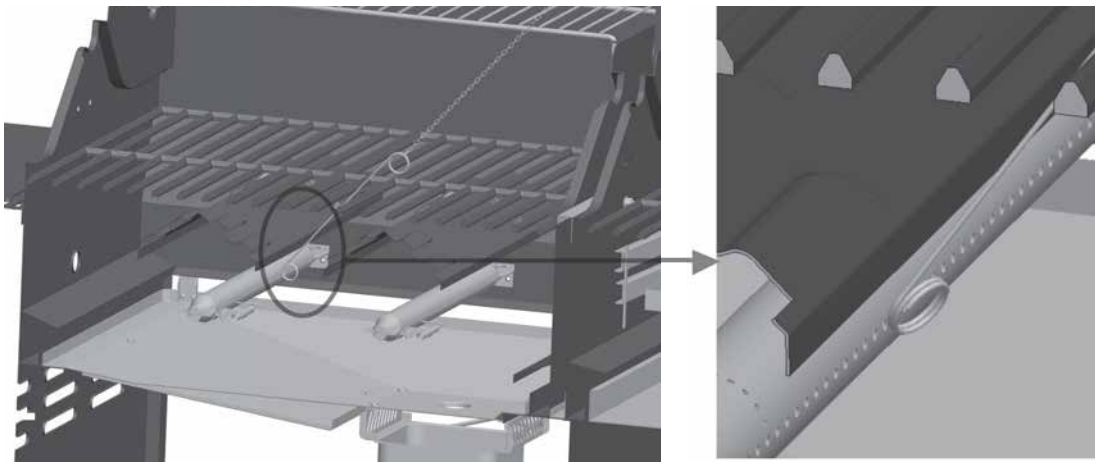
ENCENDIDO DE LA PARRILLA DE GAS CON UN PARTIDO

! Advertencia: No se incline sobre la parrilla cuando la encienda. Lea las instrucciones antes de encender.

1. Abrir la tapa
2. Insertar un partido en el extremo del soporte partido que está instalado en el interior de la puerta del armario.
3. Encienda el partido.
4. Colocar inmediatamente el fósforo encendido a través de los espacios en las puertas de la parrilla cerca de los puertos del quemador entre las tiendas de calor tal como se muestra. Asegúrese de que el fósforo encendido está cerca de los orificios del quemador.
5. Pulse en el botón de control que opera el quemador y gire hacia la izquierda ↶ para posición  HIGH (ALTA) y el quemador debe encenderse inmediatamente.
6. Repita los pasos 2 ~ 5 a encender los quemadores restantes.
7. Ajustar la configuración de los quemadores de cocción deseado.


! PELIGRO

Asegúrese de que todos los controles de los quemadores estén apagados, excepto para el quemador está encendido y los quemadores que se han iluminado.



La iluminación de la parrilla de gas con el titular del partido.

INSTRUCCIONES DE APAGADO

1. Gire las perillas de control en dirección de las manecillas del reloj ↷ hacia la posición  de apagado.
2. Cierre la válvula del tanque completamente girándola en dirección de las manecillas del reloj. ↷
3. Cierre la tapa.

Corte el suministro de gas propano en el cilindro cuando no utilice el electrodoméstico.

INSTRUCCIONES DE FUNCIONAMIENTO PARA LA PARRILLA A CARBÓN

Encendido de la parrilla a carbón

PELIGRO

PELIGRO DE MONÓXIDO DE CARBONO

La quema de carbón en interiores puede ser fatal, ya que se genera monóxido de carbono, el cual no produce olor. NUNCA quemé carbón en el interior de casas, garajes, vehículos o carpas.

 **Advertencia: No se incline sobre la parrilla al encenderla. Lea las instrucciones antes de encender la parrilla.**

Puede comenzar a cocinar cuando las briquetas tengan una leve capa de ceniza gris (aproximadamente 25 a 30 minutos).

Ajuste de la temperatura

Esta parrilla cuenta con una bandeja para carbón ajustable. Al girar la manivela, se puede hacer subir o bajar la bandeja para carbón hasta la altura deseada. Esto permite distintas configuraciones de calor dependiendo de los alimentos que desee cocinar y de la temperatura a la que desea cocinar. También permite limpiar fácilmente el interior de la cámara de combustión una vez que la unidad se haya enfriado completamente. No se recomienda elevar una bandeja para carbón completamente cargada más allá de la configuración de altura media.

NOTA: La rejilla tiene un recubrimiento de porcelana frágil. Manipúlela con cuidado para evitar dañarla. No enfríe la rejilla con agua fría mientras está caliente, ya que el recubrimiento podría quebrarse. Deje que la rejilla se enfríe por sí sola.

Para obtener el calor/la temperatura máxima, abra ambos orificios de ventilación listonados ubicados en la tapa de la parrilla, según se requiera.

Para disminuir el calor o la temperatura, cierre los orificios de ventilación.

NOTA: La temperatura no debe superar los 260 °C. Si la temperatura excede los 260 °C, debe disminuir la cantidad de briquetas que colocó en la bandeja para carbón. La temperatura de cocción adecuada no debe superar los 260 °C.

Curado de la unidad

1. Antes de cocinar por primera vez, deberá curar la unidad para mejorar la cocción y proporcionar una mejor durabilidad general. No seguir al pie de la letra estos pasos podría afectar el resultado final o impregnar los alimentos con un sabor metálico.
2. Retire todas las etiquetas de fábrica que vienen con la unidad, cuidando de NO eliminar las marcas de seguridad de la misma.
 - CURADO DE LA UNIDAD: Antes de cocinar por primera vez, coloque alrededor de 40 briquetas en la bandeja para carbón. No coloque briquetas contra las paredes de la bandeja.
 - Recubra las superficies interiores de *la parrilla a carbón sólo* con aceite de cocina vegetal.

OPERATION INSTRUCTIONS FOR CHARCOAL GRILL

- Encienda las briquetas y ubique la bandeja para cenizas a una altura media con ayuda de la manivela.
- Siga calentando de manera sostenida durante aproximadamente dos horas con la tapa cerrada y todos los reguladores de tiro abiertos en 1/4. Deje que la unidad se enfríe adecuadamente.
- Una vez terminado este proceso, la unidad está lista para usarse.

Puede aparecer óxido en el interior de la parrilla. Dejar un delgado recubrimiento de aceite vegetal en las superficies interiores ayudará a proteger la parrilla. Las superficies exteriores de la parrilla ocasionalmente pueden necesitar un retoque. Recomendamos usar pintura negra en aerosol para altas temperaturas disponible en el comercio.

¡NUNCA PINTE EL INTERIOR DE LA UNIDAD!

⚠ ADVERTENCIA: Estas piezas metálicas pueden calentarse mucho cuando la parrilla está en uso. Use siempre guantes resistentes al calor para manipular estas piezas. Nunca utilice líquido encendedor para carbón, gasolina, queroseno o alcohol en un artefacto de encendido eléctrico.


Uso de la parrilla

Se recomienda el uso de carbón como fuente de combustible para asar, si la fuente de combustible se coloca y se consume en la bandeja para carbón. No encienda un fuego muy grande. Recomendamos encender un fuego con no más de 1,36 kg de carbón (aproximadamente 55 briquetas) y agregar más según se necesite durante la cocción. Después que el fuego se consuma, coloque las rejillas de cocción en la unidad. No leer ni seguir las instrucciones para encender carbón puede provocar lesiones personales graves o daños a la propiedad.

CUIDADO Y MANTENIMIENTO


Rejillas de cocción

El mejor momento para “quemar” la suciedad las rejillas de cocción es después de cada uso (aproximadamente 15 minutos). La parrilla ya está caliente desde la cocción, por lo tanto, requiere menos combustible para obtener la temperatura necesaria para “quemar” la suciedad.

Para “quemar” la suciedad o limpiar con calor la parrilla, gire los quemadores a la posición máxima  y déjelos encendidos durante 15 minutos con la tapa cerrada. Luego apague los quemadores y use un cepillo de alambre para limpiar el exceso de residuos de alimentos de las rejillas. NOTA: NO es necesario realizar este procedimiento con el quemador lateral.

Las rejillas de porcelana tienen un acabado de esmalte (similar al vidrio) y se deben manipular con cuidado para no descascararlas.

Otras piezas

 **PRECAUCIÓN:** Asegúrese de que la parrilla esté fría antes de limpiarla y realizar mantenimiento y de que el suministro de gas esté cortado en el cilindro de PL.

El encendido electrónico requiere una batería alcalina “AA”, que viene incluida.

ADVERTENCIA

NO mezcle baterías antiguas con nuevas.

NO mezcle baterías alcalinas, estándar (zinc-carbono) o recargables (níquel cadmio).

NO incinere las baterías, una eliminación incorrecta de las baterías puede provocar que éstas exploten o se filtren.

Artículos de limpieza recomendados

Detergente líquido suave para platos, agua tibia, almohadilla de limpieza de nailon, cepillo de alambre. NO use limpiadores que contengan ácido, aguarrás ni ninguna sustancia abrasiva.

Superficies exteriores

Se recomienda usar sólo detergente para platos suave y agua caliente para limpiar la parrilla y sus piezas.

Enjuague con agua tibia.

Bandeja inferior interior del cuerpo de la parrilla

Para evitar llamaradas, la bandeja inferior de la cámara de cocción se debe mantener limpia de forma regular.

Retire los residuos con un cepillo, raspador y/o almohadilla de limpieza. Lave con detergente para platos suave y agua tibia. Enjuague con agua tibia. Evite salpicar agua en los tubos venturi de los quemadores.

Cámaras de calor

Limpie los residuos con un cepillo de alambre y lave con detergente para platos suave y agua tibia. Enjuague con agua tibia.

Recipiente de grasa

Vacíe el recipiente de grasa y limpie con detergente para platos suave y agua tibia de forma regular.

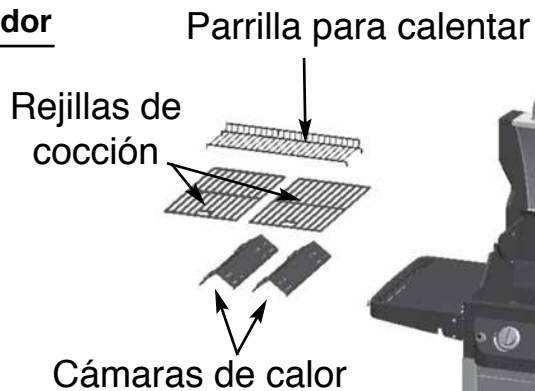
CUIDADO Y MANTENIMIENTO

Ensamble del quemador

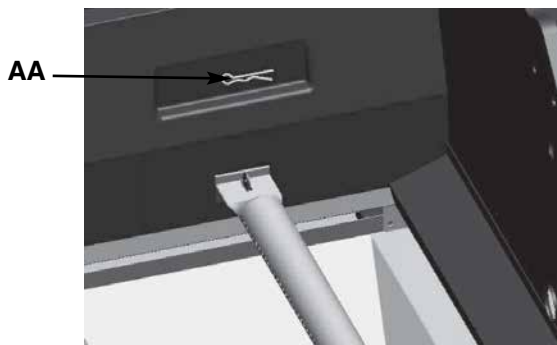
Extracción del ensamble del quemador

1. Asegúrese de que todas las perillas de control se encuentren en la posición OFF (APAGADO), que la válvula del tanque de PL esté cerrada y que el tanque esté desconectado del regulador y alejado de la parrilla.

2. Abra la tapa y retire la rejilla para calentar, las rejillas de cocción y las cámaras de calor.



3. Retirar los pasadores de bisagra (etiquetado como AA en la figura a continuación).



4. Retire los tornillos (marcados como BB En la figura siguiente).



CUIDADO Y MANTENIMIENTO

Ensamble del quemador

Limpieza del ensamble del quemador (asegúrese de que la parrilla esté fría)

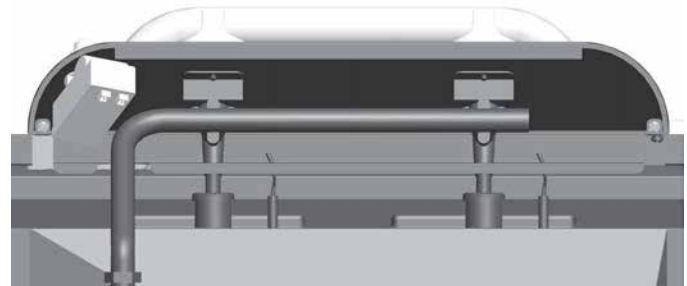
1. Asegúrese de que todos los orificios del quemador están libres de obstrucciones. El uso de un alfiler o un clip de papel funciona bien.
2. Asegúrese de que el quemador está libre de cualquier daño. Si encuentra algún daño, reemplace con quemador nuevo.
3. Asegúrese de que el extremo del quemador y rejilla de aire primario se desprenden claramente de nidos de insectos, suciedad o residuos.

Reinstalación del quemador de gas

- Asegúrese de que los orificios de la válvula de gas estén en la posición correcta dentro de la entrada del quemador (venturi).
- Es posible que necesite una linterna para garantizar la posición correcta.
- Se recomienda ver la posición correcta por los orificios de ventilación de la cámara de combustión como se ilustra.



Ver la posición correcta de la parte inferior de la cámara de combustión.



Vista inferior



Correcto



Incorrecto



Incorrecto



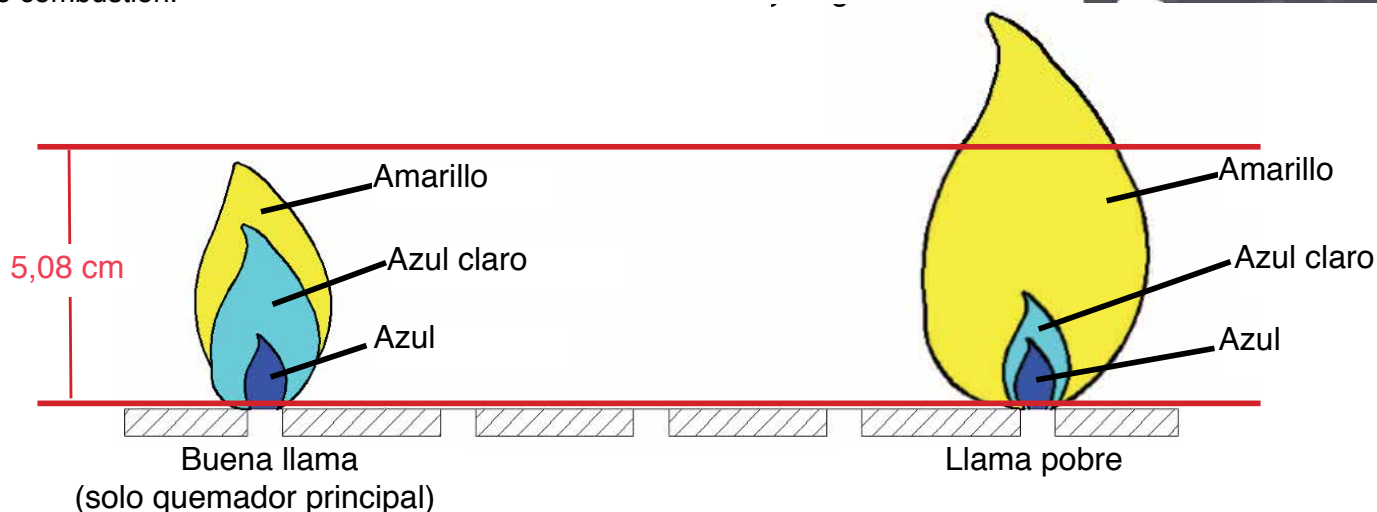
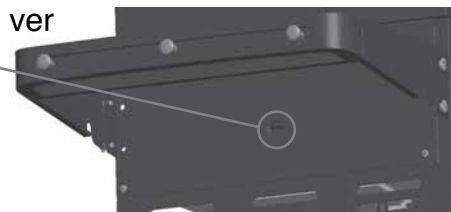
ADVERTENCIA: Si no sigue las instrucciones anteriores, podría producirse un incendio o una explosión y causar lesiones graves o la muerte.

CUIDADO Y MANTENIMIENTO

Verificación de la llama (solo en el quemador principal)

Para obtener una máxima eficiencia del combustible y un máximo rendimiento de la cocción, la llama debe ser de color azul con amarillo y debe medir entre 2,54 y 5,08 cm de altura. Para verificar la llama, observe la llama por el orificio de encendido con fósforos al costado de la cámara de combustión.

Agujero para ver la llama



Otros cuidados y mantenimiento

Se recomienda que un técnico calificado realice una inspección y mantenimiento anual en este electrodoméstico.

Se recomienda que verifique regularmente que no haya materiales combustibles, gasolina ni otros vapores o líquidos inflamables cerca de la zona donde está el electrodoméstico para cocinar en exteriores.

Se recomienda que verifique regularmente que el flujo de aire de combustión y ventilación no esté obstruido.

Se recomienda que verifique regularmente que no haya desechos en las aberturas de ventilación del compartimento del cilindro (gabinete).

Se recomienda que verifique y limpie regularmente el quemador y los tubos venturi para que no haya nidos de insectos. Un tubo obstruido puede ocasionar un incendio debajo de la parrilla.

SOLUCIÓN DE PROBLEMAS

Problema	Causas posibles	Soluciones posibles
<p>No hay flujo de gas o el flujo de gas está obstruido.</p>	<ul style="list-style-type: none"> • La válvula del tanque no está instalada o completamente abierta. • Tanque vacío. • Hay una mala conexión entre el regulador de la válvula y el acoplador del cilindro PL. • La entrada del quemador está bloqueada. 	<ul style="list-style-type: none"> • Abra completamente la válvula del tanque girándola en dirección contraria a las manecillas del reloj. ↶ • Revise el nivel de combustible y reemplace el combustible si es necesario. • Cierre las perillas de la parrilla y la válvula del cilindro PL ubicada en la parte superior del cilindro y revise la conexión entre la válvula del regulador y el acoplador del cilindro. Desconecte y vuelva a conectar si es necesario. • Limpie la entrada del quemador (venturi) y el quemador como se describe en la sección Cuidado y mantenimiento del manual.
<p>El quemador no se enciende con el procedimiento de encendido (se produce una chispa débil o no hay chispa)</p>	<ul style="list-style-type: none"> • El electrodo de encendido puede estar cubierto de grasa o residuos. • El electrodo de encendido puede tener un cable suelto o desconectado. • El electrodo de encendido está agrietado o roto. • Se agotó la batería o la conexión de la batería es inadecuada. 	<ul style="list-style-type: none"> • Gire las perillas de control a la posición de apagado y limpie el electrodo de encendido con alcohol para frotar y un hisopo. • Revise la conexión y vuelva a conectar los cables sueltos o desconectados. • Reemplace el electrodo de encendido (consulte la lista de piezas de repuesto). • Realice cualquiera de las siguientes acciones: <ol style="list-style-type: none"> a. Reemplace la batería. b. Verifique que la batería esté insertada correctamente. c. Verifique que no haya corrosión alrededor de los terminales de la batería. d. Revise las conexiones de los cables como se indicó anteriormente.

SOLUCIÓN DE PROBLEMAS

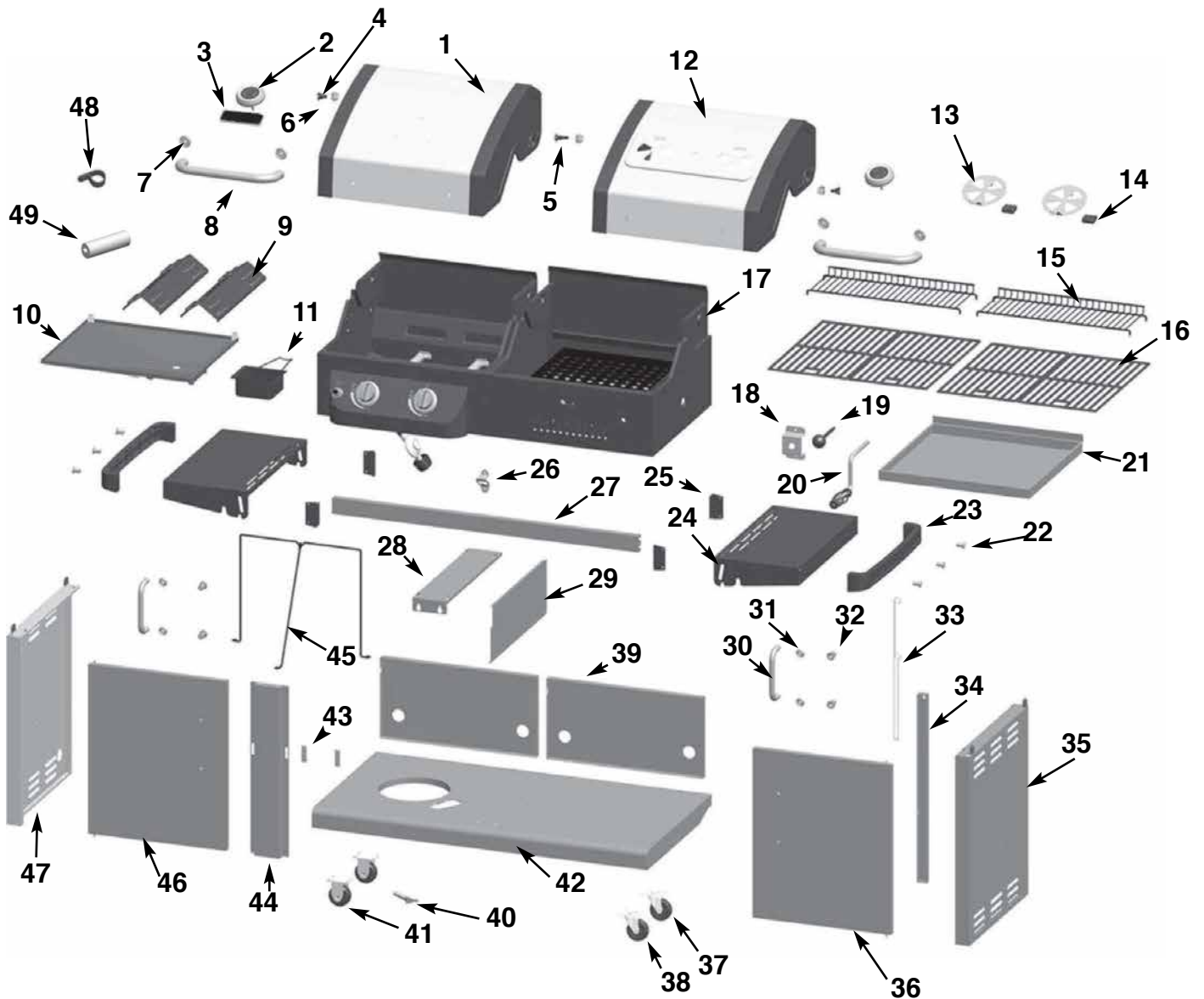
Problema	Causas posibles	Soluciones posibles
<p>El quemador no se enciende al utilizar un fósforo.</p>	<ul style="list-style-type: none"> • El fósforo no alcanza los quemadores (cuando sostiene el fósforo con una mano). • Tanque vacío. • Hay una mala conexión entre el regulador de la válvula y el acoplador del cilindro PL. • La entrada del quemador está bloqueada. 	<ul style="list-style-type: none"> • Utilice el porta fósforos ubicado en la puerta del gabinete. • Revise el nivel de combustible y vuelva a llenar el tanque si es necesario. • Cierre las perillas de la parrilla y la válvula del cilindro PL ubicada en la parte superior del cilindro y revise la conexión entre la válvula del regulador y el acoplador del cilindro. Desconecte y vuelva a conectar si es necesario. • Limpie la entrada del quemador (venturi) y el quemador como se describe en la sección Cuidado y mantenimiento del manual.
<p>Calor bajo.</p>	<ul style="list-style-type: none"> • El regulador de gas PL está equipado con un dispositivo de flujo excesivo que permite que los quemadores reciban suficiente gas en circunstancias normales. Los cambios bruscos en la presión pueden activar este dispositivo y evitar que el quemador reciba más que el mínimo flujo de gas, provocando una llama pobre y una salida de calor baja. Esto normalmente se produce porque la válvula del cilindro de gas PL se abre cuando una o más válvulas de quemadores (perillas de control) están en la posición abierta, provocando un aumento de presión que activa el dispositivo de exceso de flujo. 	<ul style="list-style-type: none"> • Siga los siguientes pasos: <ol style="list-style-type: none"> 1. Cierre la válvula del cilindro de gas PL en la parte superior del cilindro. 2. Asegúrese de que las válvulas del quemador estén en la posición "OFF". 3. Abra lentamente la válvula del cilindro de gas PL y espere 10 segundos. 4. Siga las instrucciones de encendido.

SOLUCIÓN DE PROBLEMAS

Problema	Causas posibles	Soluciones posibles
Llamaradas excesivas.	<ul style="list-style-type: none">• Acumulación de grasa y/o residuos en las cámaras de calor o la cámara de combustión.• Goteo excesivo de grasa o marinado de los alimentos.• La temperatura de cocción es demasiado alta.	<ul style="list-style-type: none">• Limpie los componentes de la parrilla.• Corte la grasa de la carne y use marinados que no sean a base de aceite.• Baje la temperatura según corresponda.

LISTA DE PIEZAS DE REPUESTO

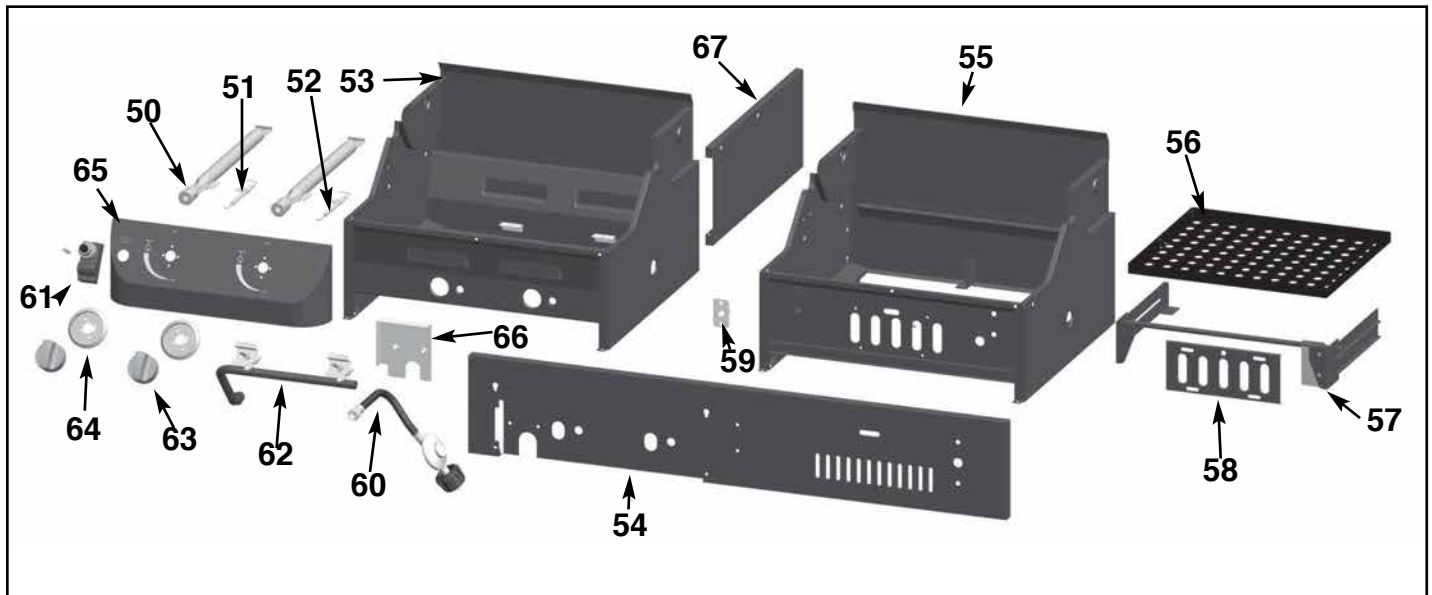
Para obtener piezas de repuesto, llame a nuestro Departamento de Servicio al Cliente al 1-877-447-4768, de lunes a viernes de 8:30 a.m. a 4:30 p.m., hora central estándar



LISTA DE PIEZAS DE REPUESTO

Para obtener piezas de repuesto, llame a nuestro Departamento de Servicio al Cliente al 1-877-447-4768, de lunes a viernes de 8:30 a.m. a 4:30 p.m., hora central estándar

17 Subensamblaje completo



DYNA-GLO Parrilla a Doble Combustible - MODELO # DGB730SNB/DGP730SNB-D

Diag. Ref #:	Pieza Descripción	Garantía Pieza #
1	Ensamble de la tapa de la parrilla- parrilla de gas	144-02001
2	Medidor de temperatura con tuerca	104-12005
3	Emblema de Dyna-Glo	104-22006
4	Pin de pivote de la tapa- izquierdo y derecho	104-12002
5	Pin de pivote de la tapa- central	144-22002
6	Tuerca de sombrero-asegura especialmente el pin de pivote de la tapa	104-12001
7	Bisel de la manija de la tapa	104-12004
8	Manija de la tapa	104-12003
9	Cubierta de calor	144-13003
10	Bandeja para la grasa	144-04013
11	Taza para la grasa	104-04014
12	Ensamble de la tapa de la parrilla- parrilla de carbón	154-02001
13	Compuerta de la tapa, en el exterior de la tapa de carbón	154-12001
14	Manija de la compuerta de la tapa - carbón	154-12002
15	Rejilla de calentamiento	144-13001
16	Parrilla de cocción	144-13002

LISTA DE PIEZAS DE REPUESTO

DYNA-GLO Parrilla a Doble Combustible - MODELO # DGB730SNB/DGP730SNB-D

17	Ensamble de la cámara de combustión - incluye quemadores / válvula del tanque de gas y ensamble del tubo múltiple/ panel de control / cable de encendido / electrodo / bandeja de carbón.	144-03001
18	Bisel de la manija de ajuste de la bandeja de carbón	154-13001
19	Manija de la compuerta delantera de la puerta del carbón	154-13002
20	Manija de ajuste de la bandeja de carbón	154-13003
21	Bandeja de cenizas	154-13104
22	Gancho de herramientas	104-14002
23	Barra de la torre	104-14001
24	Mesa auxiliar	104-04001
25	Soporte de la mesa auxiliar	104-04003
26	Abrebotellas	144-14004
27	Abrazadera de la puerta frontal superior	144-04011
28	Platina de la cruz media del carrito	144-14001
29	Escudo térmico	144-14002
30	Manija de la puerta	104-14021
31	Bisel de la manija de la puerta	104-14022
32	Pasador de la manija de la puerta	104-14023
33	Soporte del encendedor	104-14024
34	Platina vertical trasera del carrito	144-14003
35	Panel derecho del carrito	144-04010
36	Ensamble de la puerta derecha	144-04020
37	Rueda giratoria con bloqueo - Incluye 4 tornillos / arandelas planas / arandelas de resorte	104-04019
38	Rueda giratoria sin bloqueo - Incluye 4 tornillos / arandelas planas / arandelas de resorte	104-04017
39	Panel trasero del carrito	144-04008
40	Tornillo de sujeción del cilindro PL	104-04012
41	Rueda de dirección - Incluye 4 tornillos / arandelas planas / arandelas de resorte	104-04018
42	Panel inferior	144-04006
43	Imán de la puerta	104-14020
44	Platina vertical frontal del carrito	144-54020
45	Exclusión del cilindro PL	144-14006
46	Ensamble de la puerta izquierda	144-44020
47	Panel izquierdo del carrito	144-04009
48	Soporte de la manguera	104-04007
49	Pila AAA (1.5V)	102-05002
50	Quemador principal - con pasador de seguridad	104-13011
51	Electrodo de encendido A-con cable de encendido corto	144-13012
52	Electrodo de encendido B - con cable de encendido largo	144-23012
53	Ensamble de la cámara de combustión - gas	144-13004
54	Panel frontal exterior de la cámara de combustión	144-13005

LISTA DE PIEZAS DE REPUESTO

DYNA-GLO Parrilla a Doble Combustible - MODELO # DGB730SNB/DGP730SNB-D

55	Ensamble de la cámara de combustión- carbón	154-13004
56	Bandeja de carbón	154-23001
57	Ensamble del brazo de ajuste de la bandeja de carbón	154-23002
58	Compuerta frontal (panel de control de la parrilla de carbón)	154-23003
59	Montaje roscado para manivela de ajuste de la bandeja de carbón	154-23004
60	Ensamble de la Manguera de gas PL y del regulador	104-13014
61	Encendido electrónico	144-13007
62	Válvula de gas PL y tubo múltiple	144-13006
63	Bisel de la perilla de control	104-13009
64	Perilla de control	104-13010
65	Panel de control	144-13008
66	Escudo térmico para encendido electrónico	144-13013
67	Panel divisor de la cámara de combustión	144-33006
n/a	Paquete de hardware	144-05001
n/a	Manual de instrucciones	70-10-020



Parrilla a Doble Combustible

GARANTÍA LIMITADA

Nombre del artículo: Parrilla a Doble Combustible
Modelo #: DGB730SNB/DGB730SNB-D
Clasificación BTU: 24,000 BTU/Hr

Esta parrilla a gas PL tiene garantía contra piezas rotas o dañadas en el momento de la compra. Todas las piezas tienen un (1) año de garantía limitada. La pintura está garantizada contra defectos por 90 días, exceptuando la oxidación, la cual puede aparecer después del uso repetido.

Esta garantía no cubre daños o problemas ocasionados por negligencia ni abuso o modificaciones al electrodoméstico. Los gastos de reparación no están cubiertos.

Todas las piezas que cumplan con los requisitos de la garantía se enviarán sin cargo por el medio que decida GHP Group Inc. (envíos por tierra, correo de EE.UU. o servicios de paquetes postales ÚNICAMENTE). Cualquier otro gasto especial de manipulación (es decir, envíos de dos días, de la noche a la mañana, etc.) correrá por cuenta del cliente.

Todos las reclamaciones de garantía se aplican sólo al comprador original y requieren un comprobante de compra para verificar la fecha de la misma. No devuelva piezas a la dirección de GHP Group Inc. sin antes obtener un número de autorización para la devolución de nuestro Departamento de Servicio al Cliente. Este servicio está disponible llamando gratis al: 1-877-447-4768, de lunes a viernes de 8:30 a.m. a 4:30 p.m., hora central estándar.

Algunos estados no permiten la exclusión o limitación de daños accidentales o resultantes, o limitaciones en cuanto al período de duración de una garantía, de modo que las exclusiones o limitaciones anteriores pueden no aplicarse a usted. Esta garantía le otorga derechos legales específicos, pero podría tener también otros derechos que varían según el estado.

GHP Group Inc.
8280 Austin Avenue
Morton Grove, IL. USA 60053-3207
Teléfono gratuito: 1-877-447-4768