



# Charcoal Offset Vertical Smoker

MODEL #DGO1176BDC-D

Français p. 18

Español p. 35



ATTACH YOUR RECEIPT HERE

Serial Number \_\_\_\_\_ Purchase Date \_\_\_\_\_



**Questions, problems, missing parts?** Before returning to your retailer, call our customer service department at 1-877-447-4768, 8:30 a.m. – 4:30 p.m. CST, Monday – Friday or log on to [customerservice@ghpgroupinc.com](mailto:customerservice@ghpgroupinc.com).

## TABLE OF CONTENTS


---

Safety Information .....	2
Package Contents .....	4
Hardware Contents .....	5
Preparation .....	5
Assembly Instructions .....	6
Operation Instructions .....	11
Tips On Smoking .....	13
Care and Maintenance .....	15
Warranty .....	16
Replacement Parts List .....	17

## SAFETY INFORMATION

---

Please read and understand this entire manual before attempting to assemble, operate or install the product. If you have any questions regarding the product, call our customer service department at 1-877-447-4768, 8:30 a.m.- 4:30 p.m. CST, Monday - Friday or log on to [customerservice@ghpgroupinc.com](mailto:customerservice@ghpgroupinc.com).

 Use caution when lifting and moving the unit to avoid back strain or back injury. Do not move the unit while it is in use.

- **DO NOT** operate the unit near or under flammable or combustible materials such as decks, porches or carports. A minimum clearance of 36 in. is required.
- **DO NOT** operate the unit under overhead construction.
- A minimum clearance to combustible construction is 36 in. from sides and back.
- **DO NOT** use this appliance as a heater.
- Operate the unit on a stable, level, non-flammable surface such as asphalt, concrete or solid ground.
- **DO NOT** operate the unit on flammable material such as carpet or wood deck.
- Use caution when assembling and operating this unit to avoid cuts and scrapes from edges.

## SAFETY INFORMATION

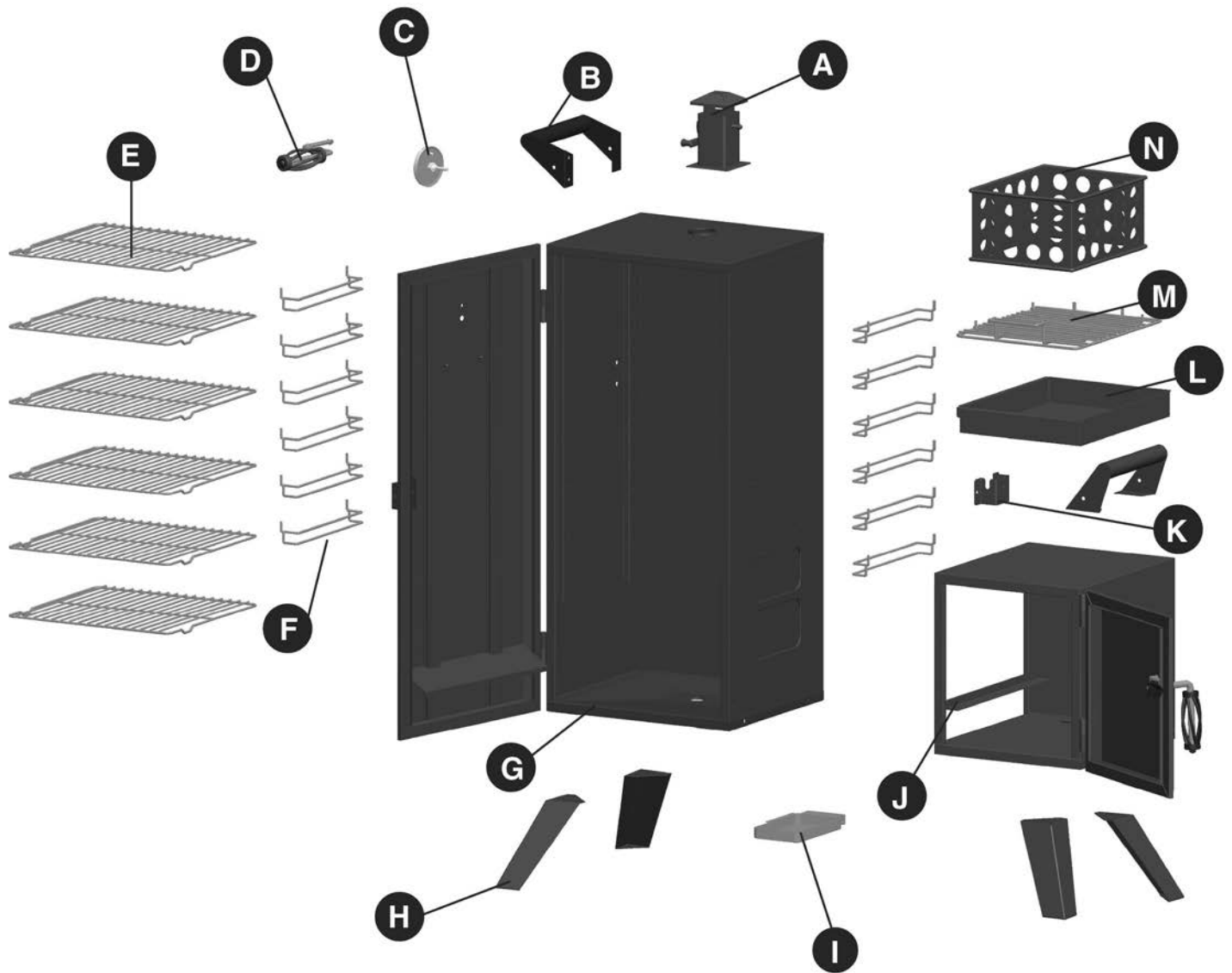
---

- **DO NOT** use this product in a manner other than its intended purpose. It is NOT intended for commercial use. It is not intended to be installed or used in or on a recreational vehicle and/or boats.
- **DO NOT** store this unit near gasoline or other combustible liquids or where other combustible vapors may be present.
- **DO NOT** use or store or operate this product in an area accessible to children or pets. Store this unit in a dry protected location.
- **DO NOT** leave the unit unattended while in use.
- **DO NOT** leave hot ashes unattended until the smoker cools completely.
- **DO NOT** move the unit while in use or while ashes are still hot. Allow the unit to cool completely before moving or storing.
- **NEVER** use gasoline, kerosene, Zippo/Ronson lighter fluid or other highly volatile fluids as a starter.
- Always cook your food on the grate after the flame is burned out.
- Dispose of cold ashes by wrapping them in heavy-duty aluminum foil and placing in a noncombustible container. Make sure that there are no other combustible materials in or near the container.
- If you must dispose of ashes in less time than it takes for the ashes to completely cool down, then remove the ashes from the unit, using heat-resistant gloves along with long metal tongs or fireplace shovel. Place the coals in aluminum foil and soak them completely with water before disposing of them in a noncombustible container.
- Allow the unit to cool completely before conducting any routine cleaning or maintenance.
- **NEVER** close the damper completely while cooking.
- This appliance will be hot during and after use. Use insulated oven mitts or gloves for protection from hot surfaces or splatter from cooking liquids.
- Use caution when opening the door of the smoker while in operation. Keep hands, face and body safe from hot steam or flare-ups. **DO NOT** inhale smoke.
- **DO NOT** wear loose clothing while operating the smoker. Tie back long hair while operating the smoker.
- **ALWAYS** wear shoes that fully cover your feet while operating the smoker.
- **NEVER** use glassware, plastic or ceramic cookware on or in your smoker. Use metallic cookware only.
- When using flavoring wood, add a sufficient amount prior to operation to avoid having to add wood while operating.
- Use of accessories not intended for this smoker is not recommended and may lead to injury or property damage.
- Read and follow all warnings and instructions before assembling and using the appliance.
- Follow all warnings and instructions when using the appliance.

### **CALIFORNIA PROPOSITION 65**

Fuels used in wood and charcoal burning appliances and the products of combustion of such fuels contain chemicals known to the State of California to cause cancer, birth defects or other reproductive harm. This product contains chemicals, including lead and lead compounds, known to the State of California to cause cancer, birth defects or other reproductive harm. ***Wash hands after handling.***

## PACKAGE CONTENTS



PART	DESCRIPTION	QUANTITY
A	Smoke stack assembly	1
B	Lifting handle	2
C	Temperature gauge	1
D	Door handle	2
E	Cooking grate	6
F	Cooking grate support	12
G	Smoker body-left	1

PART	DESCRIPTION	QUANTITY
H	Leg	4
I	Grease cup	1
J	Smoker body-right	1
K	Door locking bracket	1
L	Ash tray	1
M	Charcoal grate	1
N	Charcoal chamber	1

## HARDWARE CONTENTS

---

AA



M6 x 12  
Screw

Qty. 32

BB



Spring  
Clip

Qty. 1

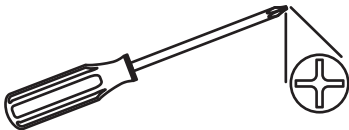
## PREPARATION

---

Before beginning assembly of product, make sure all parts are present. Compare parts with package contents list and hardware contents above. If any part is missing or damaged, do not attempt to assemble the product. Contact customer service for replacement parts.

**Estimated Assembly Time: 15 minutes**

Tools Required for Assembly (not included): Phillips Screwdriver, Pliers, Adjustable Wrench



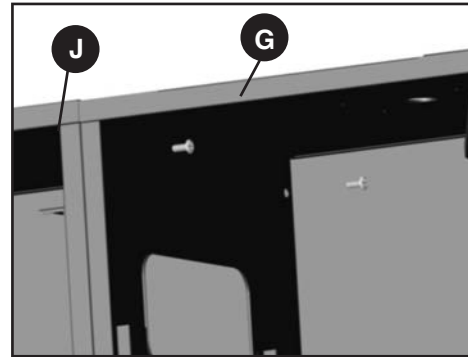
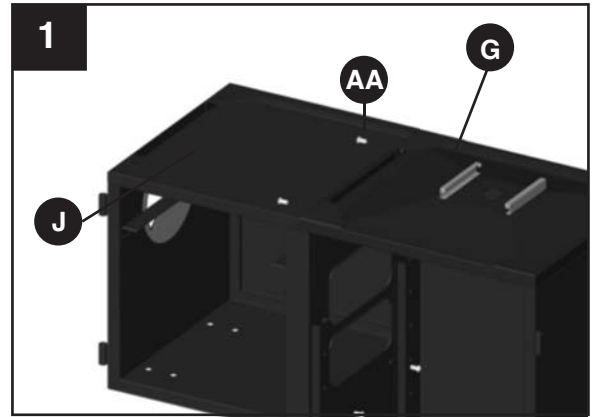
## ASSEMBLY INSTRUCTIONS

**CAUTION:** Remove both doors before turning the smoker upside down.

1. With smoker body-right (J) turned upside down, attach smoker body-left (G) to smoker body-right (J) using six M6x12 screws (AA).

### Hardware Used

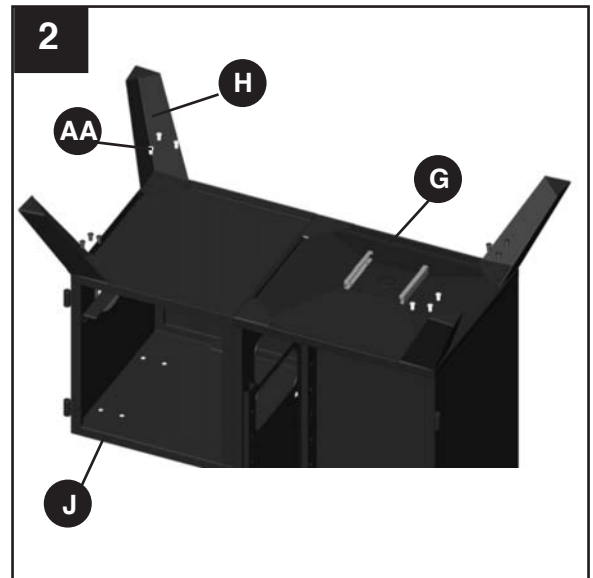
**AA** M6 x 12mm Screw x 6



2. Attach legs (H) to smoker body-left (G) and smoker body-right (J) using twelve M6x12 screws (AA).

### Hardware Used


**AA** M6 x 12mm Screw x 12



## ASSEMBLY INSTRUCTIONS


3. **CAUTION: This unit is HEAVY! Do not attempt this step without assistance!**  
With the assistance of a helper, stand the unit up right on its legs on a firm and level surface. (Make sure that legs are well attached). Place both doors back onto the smoker body. Position the square smoke stack (A) with control arm to the left as shown. Using 4 bolts (AA), attach square smoke stack (A) to the top of smoker body (G). Securely tighten with a Phillips screwdriver.

### Hardware Used

- AA** M6 x 12mm Screw  x 4


4. Attach lifting handle (B) to smoker body-left (G) using four M6x12 screws (AA).

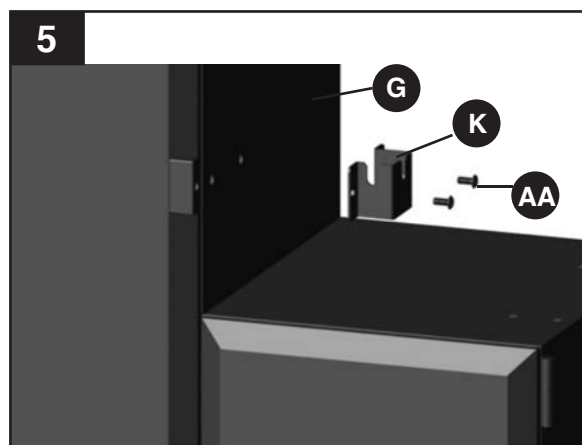
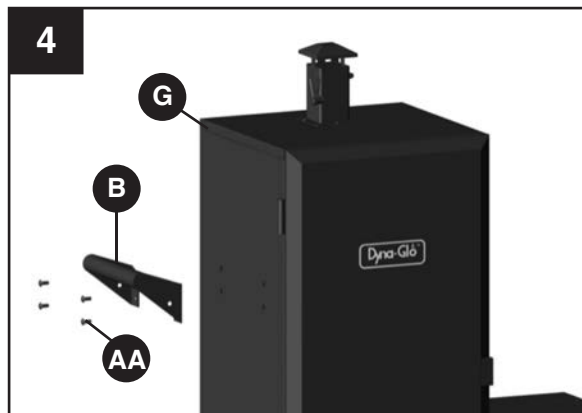
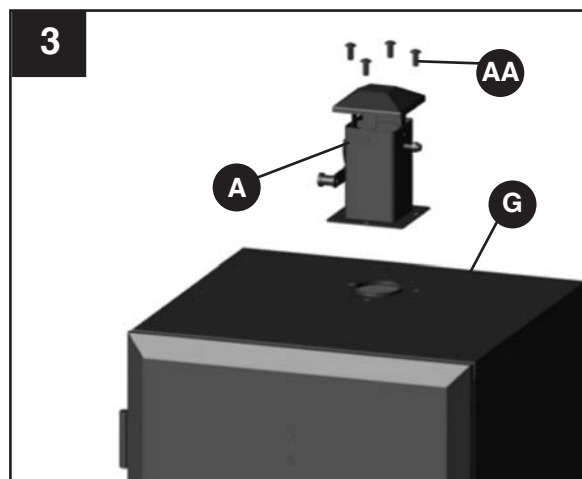
### Hardware Used

- AA** M6 x 12mm Screw  x 4

5. Attach door handle bracket (K) to smoker body-left (G) using two M6x12 screws (AA).

### Hardware Used

- AA** M6 x 12mm Screw  x 2

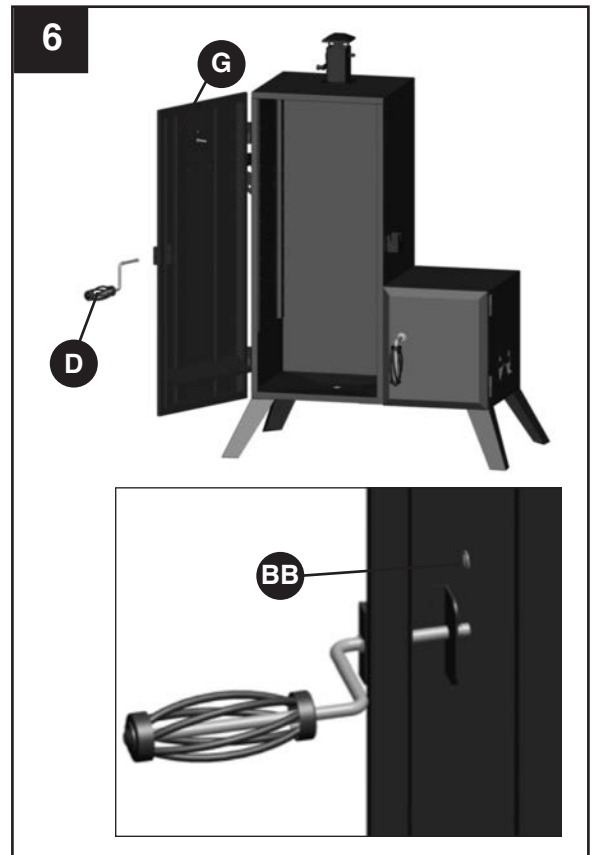


## ASSEMBLY INSTRUCTIONS

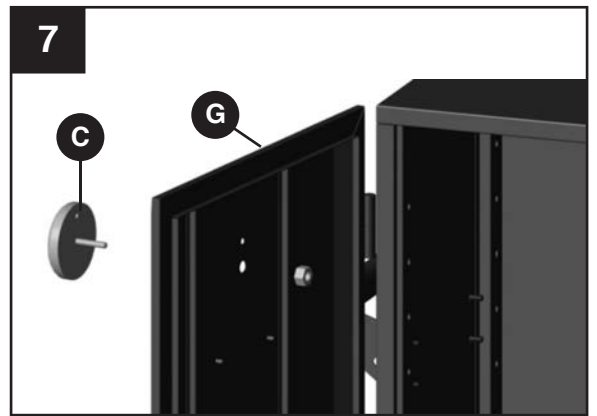
- Slide door handle (D) through brackets in door. Using pliers, slide a spring clip (BB) over the groove in the door handle as shown. Make sure the spring clip is securely attached in the grooves of the handle.

### Hardware Used

<b>BB</b>	Spring Clip		x 1
-----------	----------------	---	-----



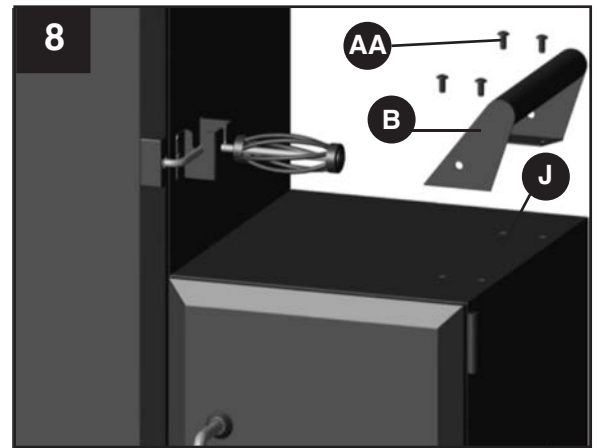
- First, remove the pre-assembled nut from the temperature gauge. Insert the probe of the temperature gauge (C) through hole of the smoker door from the outside. Secure with nut from inside panel. Tighten with wrench.






## ASSEMBLY INSTRUCTIONS

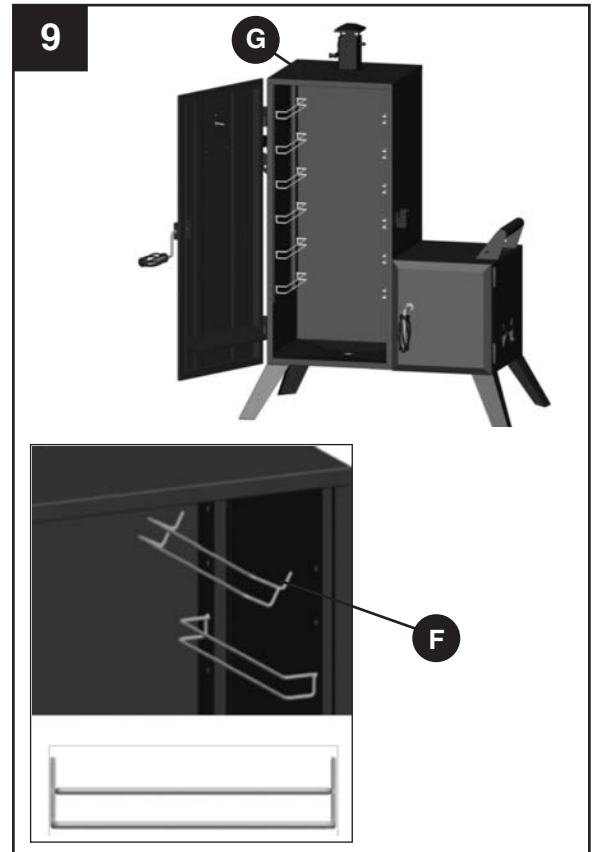
8. Attach lifting handle (B) to smoker body-right (J) using four M6x12 screw (AA).



### Hardware Used

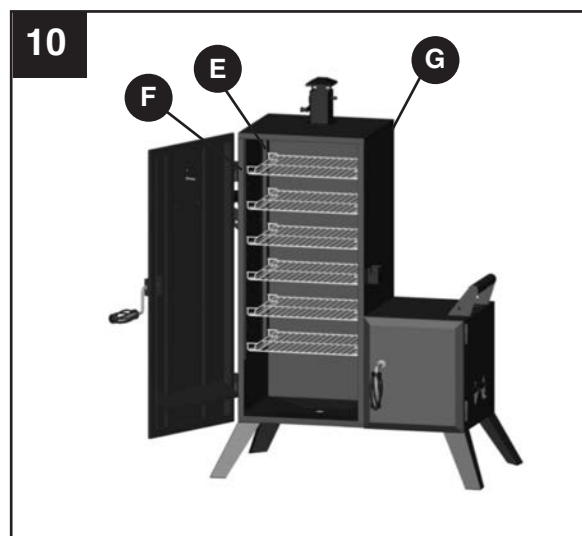
- AA** M6 x 12mm Screw x 4
- 

9. Insert the cooking grate supports (F) into the corresponding holes on rack of the shelf inside the smoker body (G) from the bottom up. NOTE: There are 12 positions to install the cooking grate supports. The cooking grate supports can be inserted in positions according to the need of the owner.

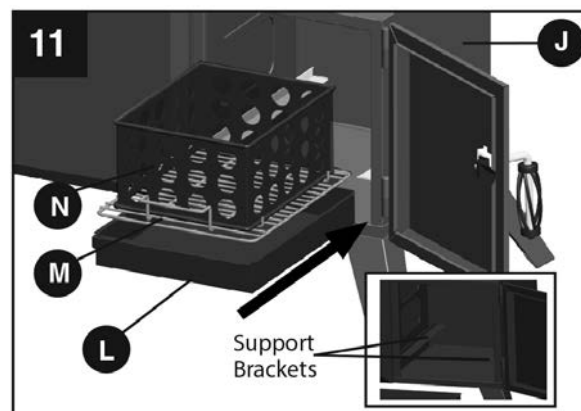


## ASSEMBLY INSTRUCTIONS

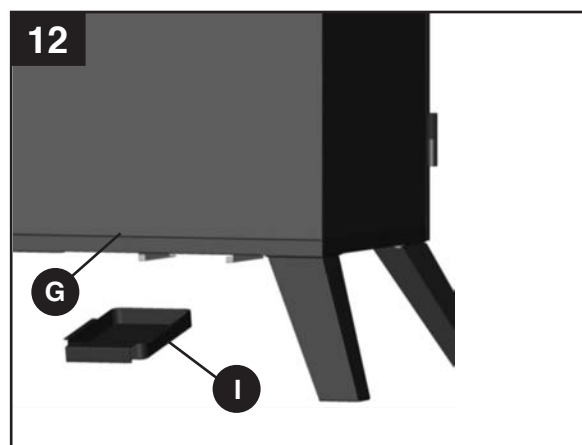
10. Slide the 6 cooking grates (E) onto the top cooking grate supports (F) inside the smoker body (G).



11. Place the charcoal chamber (N) directly onto the charcoal grate (M) and slide the grate onto the support brackets located on the inside of the smoker body - right (J). Slide the ash tray (L) under the support brackets.



12. Slide the grease cup (I) to the grease cup support of the smoker body-left (G) bottom.



## OPERATING INSTRUCTIONS

---

### BEFORE FIRST USE

Remove all hangings or plastic straps, if present.

Before you cook food in your smoker, it is important to “season” your smoker. Seasoning seals the paint and interior of your smoker to enhance flavoring, durability and overall performance.

To season your smoker, simply use it as you normally would only do not cook any food. You will need to follow all of the operating procedures in the next few sections of this manual.

Using your desired flavoring woods and marinades, burn your smoker at low temperature (around 175°F/79.4°C) for 45 – 60 minutes. Let the smoker cool and clean out the wood chips and charcoal.

Once seasoning is complete, your smoker’s interior will have a durable, seasoned coating.

### Lighting Instructions

**DO NOT USE PRETREATED, MATCH-LIGHT CHARCOAL with this smoker.** Only use standard, untreated briquettes or lump charcoal and **ONLY** use charcoal lighting fluid approved for lighting charcoal. Do not use lighter fluid, paint thinners, gasoline, kerosene, alcohol or other flammable material for lighting charcoal. **Damage to the smoker may occur with the use of match-light charcoal.**

#### Step 1

Remove the charcoal grate and chamber from the offset smoker box. Place the grate on a cement surface that is clear from flammable or combustible materials. Place the chamber directly onto the charcoal grate. The chamber should fit between the grate handles and the raised grate supports. Refer to the assembly instructions for proper placement.

#### **Start with at least 4 lbs. (1.8 kgs.) of charcoal (75 standard briquettes).**

Make adjustments as needed when cooking in colder climates or during high winds, and/or when fair amounts of precipitation are present.

#### Step 2

Note: Please refer to the manufacturer’s recommended amount of lighter fluid before applying fluid to the briquettes. With the charcoal grate and chamber outside the firebox, saturate charcoal with the amount of lighting fluid as recommended by the lighter fluid manufacturer. Allow the fluid to soak into the charcoal for 3 minutes before placing the grate and chamber back into the firebox (refer to assembly instructions for proper chamber and grate placement). After soaking the charcoal, place the lighting fluid at a safe distance away from the smoker.

#### Step 3

With **both doors open**, stand back and carefully light charcoal and allow to burn until covered with a light ash (approximately 20 minutes). Charcoal lighting fluid must be allowed to completely burn off prior to closing the doors. (Fumes will tend to collect in the upper cavity if the door is closed).

## OPERATING INSTRUCTIONS

---

### Lighting Instrucions(Continued)

#### Step 4

After 20-25 minutes, charcoal should be ready for cooking and/or adding woodchips. Refer to the next section before adding wood chips to pre-lit charcoal.

**⚠ DANGER:** Closing the firebox doors during the lighting procedure could trap fumes from the charcoal lighting fluid in the smoker box and may result in a flash-fire or explosion when door is opened, resulting in property loss, personal injury or death. Never attempt to add more lighting fluid to the charcoal once it has been lit.

### ADDING WOOD CHIPS (BEFORE AND DURING COOKING)

**⚠ WARNING:** Use caution since flames can flare-up when fresh air suddenly comes in contact with fire. When opening the door, keep hands, face and body a safe distance from hot steam and flame flare-ups.

#### Presoaked Wood Chips

Soak the desired amount of chips in water for 30 minutes. Wrap the wood chips in aluminum foil and poke holes on the top of the foil wrapping. **FOLLOW THE STEPS BELOW BEFORE ADDING PRESOAKED WOOD CHIPS.**

#### Dry Wood Chips

Dry wood chips can be placed directly onto the pre-lit charcoal without aluminum foil. **FOLLOW THE STEPS BELOW BEFORE ADDING DRY WOOD CHIPS.**

The amount and type of wood used is entirely dependent on the desired amount of flavor.

#### Step 1

Stand back and carefully open smoker box door allowing heat and steam to escape away from your face. Use caution since flames can flare-up when fresh air suddenly comes in contact with fire. Inspect the charcoal level in pan.

#### Step 2

Wearing flame retardant oven mitts/gloves, use long metal cooking tongs to lightly brush aside ashes on hot coals. Use the long metal cooking tongs to add wood chips (and/or charcoal) to charcoal chamber, being careful not to stir-up ashes and sparks.

**⚠ WARNING:** Never add charcoal lighting fluid to hot or even warm coals as flashback may occur causing severe burns.

#### Step 3

Close smoker box door and allow food to continue cooking.

Allow the ashes to completely cool before reusing or cleaning the smoker.

## TIPS ON SMOKING

Smoking foods is different from grilling foods. Smoking is typically done slowly and at a lower temperature than grilling. The smoke produced by the wood infuses itself into the meat giving it that great smoked flavor. Grilling is a much quicker cooking process using higher temperatures.

- Small wood chips work best inside the wood chip tray.
- Use dry hardwoods such as hickory, pecan, apple, cherry or mesquite.
- To produce more smoke and prevent fast burning, pre-soak the wood chips in a separate bowl of water for at least 20 minutes, or wrap the chips in perforated aluminum foil.
- Most smoke flavoring occurs within the first hour of cooking. **Adding wood chips after the first hour is typically not necessary unless extra smoke flavoring is desired.**

Here's a list of the most popular smoking woods and a little information about each.

Type of Wood	Suggested Food	Comments
Apple	All meats	Mild and sweet flavor with a slight hint of fruity flavor. Each species of Apple wood should offer a slightly different flavor. Apple smoke produces an attractive browning effect.
Almond	All meats	Produces a sweet smoke with a natural nutty flavor.
Ash	Fish and red meat	Very light flavor.
Citrus	Pork and chicken	Lemon and orange wood produce light but fruity flavor.
Cherry	Pork and beef	Light and fruity flavor.
Fruitwood	Pork, poultry and fish	Wood such as Peach, Pear and Plum produce a mild but sweet smoke with a hint of fruity flavor.
Grapevine	Poultry, game and lamb	Grapevine wood produces a lot of smoke. A little wood goes a long way. It produces a tart flavor that has a hint of fruit.
Hickory	Pork and beef	Hickory is arguably the favorite wood for smoking. Hickory produces a very strong flavor so we recommend starting slow with this wood.
Maple	Pork and poultry	Light and sweet
Mesquite	Beef, chicken and fish	This wood burns very hot so be aware. Much like Hickory, Mesquite is very popular and produces a strong flavor.
Oak	Red meats, game, ribs and fish	Another wood that produces a heavy smoke. Start slow with this wood.
Pecan	Ribs and red meat	Produces a light smoke that offers a sweet and nutty flavor.

# SUGGESTED SMOKING AND MEAT TEMPERATURES

## Smoking Temperatures

Accurate smoking temperatures are critical for safely cooking food when meat probes are not available. Please understand that using the factory installed temperature gauge is an acceptable tool for smoking food; but it's not always the ideal means of measuring the most accurate smoking temperature because internal smoker temperatures can vary between the top and bottom cooking grates. Also keep in mind that the probes used on most gauges are designed to measure the temperature at the tip of the temperature probe and not the overall temperature of the smoker.

Alternatively, it is recommended that users either purchase an aftermarket, oven-ready temperature gauge, or a meat thermometer. Meat thermometers are the most effective way of determining when the food is cooked to the minimum temperature required for safe consumption. Please refer to the chart below for cooking temps.

## SUGGESTED SMOKING TEMPERATURES

	Suggested Smoking Temperatures	Safe Minimum Food Temperatures
<b>Meat, Poultry, Fish</b>		
<b>Beef, veal and lamb (pieces and whole cuts)</b>		
Medium-rare	225°F (107.2°C)	145°F (63°C)
Medium	225°F (107.2°C)	160°F (71°C)
Well done	225°F (107.2°C)	170°F (77°C)
<b>Pork (ham, pork loin, ribs)</b>		
Pork (pieces and whole cuts)	225 - 240°F (107.2 - 115.6°C)	160°F (71°C)
<b>Ground meat and meat mixtures (burgers, sausages, meatballs, meatloaf, casseroles and mechanically tenderized beef)</b>		
Beef, veal (including mechanically tenderized), lamb and pork	250 - 300°F (121 - 149°C)	160°F (71°C)
Poultry (chicken & turkey)	250 - 300°F	165°F (74°C)
<b>Poultry (chicken, turkey, duck)</b>		
Pieces	250°F (121°C)	165°F (74°C)
Whole	240°F (115.6°C)	185°F (85°C)
<b>Seafood</b>		
Fish	225 - 240°F (107.2 - 115.6°C)	158°F (70°C)
Shellfish (shrimp, lobster, crab, scallops, clams, mussels and oysters)	225 - 240°F (107.2 - 115.6°C)	165°F (74°C)
Since it is difficult to use a food thermometer to check the temperature of shellfish, discard any that do not open when cooked.		

	Suggested Smoking Temperatures	Safe Minimum Food Temperatures
<b>Game</b>		
<b>Chops, steaks and roasts (deer, elk, moose, caribou/reindeer, antelope and pronghorn)</b>		
Well done	225°F (107.2°C)	170°F (77°C)
<b>Large Game</b>		
Bear, bison, musk ox walrus, etc.	250 - 300°F (121 - 149°C)	165°F (74°C)
<b>Small game</b>		
Rabbit, muskrat, beaver, etc.	225 - 240°F (107.2 - 115.6°C)	165°F (74°C)
<b>Ground Meat</b>		
Ground meat and meat mixtures	250 - 300°F (121 - 149°C)	165°F (74°C)
Ground venison and sausage	250 - 300°F (121 - 149°C)	165°F (74°C)
<b>Game birds/waterfowl (wild turkey, duck, goose, partridge and pheasant)</b>		
Whole	250°F (121°C)	180°F (82°C)
Breasts and roasts	250°F (121°C)	165°F (74°C)
Thighs, wings	250°F (121°C)	165°F (74°C)
Stuffing (cooked alone or in a bird)	250°F (121°C)	165°F (74°C)


## CARE AND MAINTENANCE

---

### AFTER USE SAFETY AND MAINTENANCE

#### **WARNING**

- Use caution when lifting and moving the smoker to avoid strain injuries. Two people are recommended to lift or move the smoker.
- DO NOT store the smoker near gasoline or other combustible liquids or where combustible vapors may be present. Keep the area around the smoker clear and free of combustible materials and vapors.
- DO NOT store this smoker in an area accessible to children or pets. Store the smoker in a dry, protected location.
- DO NOT allow anyone to conduct activities around the smoker following use until it has cooled. It is hot during operation and remains hot for a period of time following use.
- DO NOT leave hot ashes unattended until the smoker cools completely.
- The smoker becomes extremely hot – allow the smoker to cool completely before handling. Allow the smoker to cool before removing and cleaning the grease pan.
- Dispose of cold ashes by wrapping them in heavy-duty aluminum foil and putting them in a noncombustible container.
- If you must dispose of the ashes in less time than it takes for them to completely cool, remove the charcoal tray using heat-resistant gloves and place the ashes in aluminum foil. Completely soak the ashes with water before disposing of them in a noncombustible container.

 **CAUTION:** All care and maintenance procedures are to be performed while the smoker is completely cooled. Always perform maintenance by a qualified service person.

Clean the cooking grates with hot, soapy water. Rinse and dry thoroughly. You may prefer to coat the cooking grates lightly with cooking oil or cooking spray.

To clean the inside and outside of the smoker cabinet, simply use a damp cloth. Spray-washing with a water hose is not recommended. Moisture should be wiped away and not allowed to stand inside or on top of the smoker. Once cleaned, you may prefer to lightly coat the interior of the smoker cabinet with cooking oil or cooking spray.

If rust is present on the exterior surface of the smoker, clean the area with steel wool or emery cloth and use heavy-duty, heat-resistant paint.

NEVER apply additional paint to the interior of the smoker. If rust is present on the interior of the smoker, clean it thoroughly with steel wool or emery cloth and lightly coat the area with cooking oil or cooking spray to help minimize recurring rust.

To protect your smoker from weather conditions, always keep it covered while not in use.



## WARRANTY

---

This vertical charcoal smoker is warranted against broken or damaged parts at the time of purchase. All other parts carry a one (1) year limited warranty except the charcoal chamber, which is warranted to be free of defects for 90 days. Paint is warranted to be free of defects for 90 days except for rust, which may appear after repeated use.

This warranty does not cover damage or issues related to neglect, abuse or modifications to the appliance. Repair labor is not covered.

All parts that meet the warranty requirements will be shipped at no charge via the discretion of GHP Group Inc. (ground shipments, US Mail or Parcel Post ONLY). Any special handling charges (i.e. Second Day, Overnight, etc.) will be the responsibility of the consumer.

All warranty claims apply only to the original purchaser and require a proof of purchase verifying purchase date. Do not return parts to GHP address without first obtaining a return authorization number from our customer service. This service is available by calling toll free 1-877-447-4768, 8:30 a.m. - 4:30 p.m. CST, Monday - Friday.

Some states do not allow the exclusion or limitation of incidental or consequential damages or limitations on how long an implied warranty lasts, so the above limitations or exclusions may not apply to you. This warranty gives you specific legal rights, and you may have other rights that vary from state to state.

GHP Group Inc.  
6440 W. Howard Street  
Niles, IL, USA  
60714-3302

Item name: Charcoal Offset Vertical Smoker  
Model #: DGO1176BDC-D

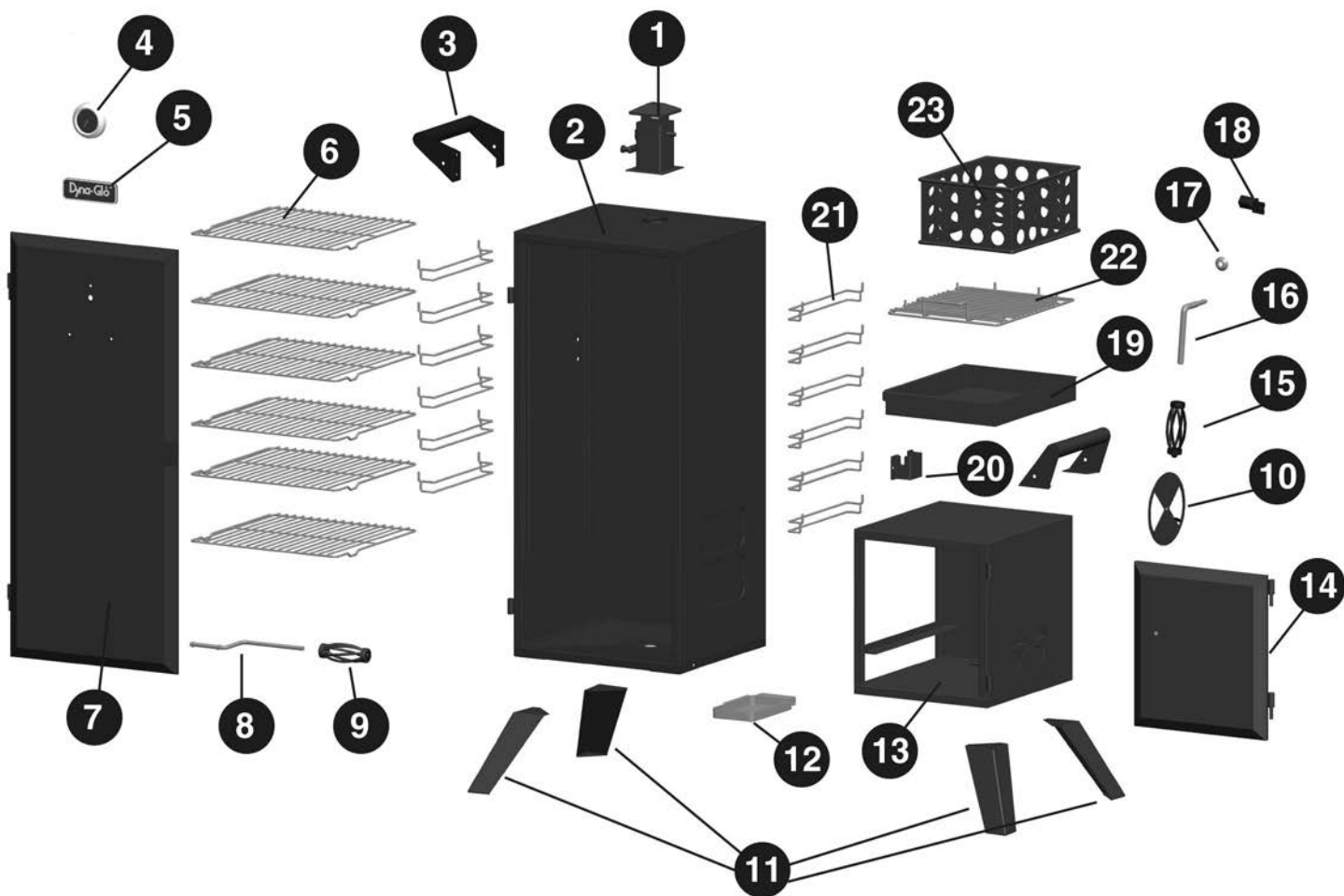


## REPLACEMENT PARTS LIST

For replacement parts, call our customer service department at 1-877-447-4768, 8:30 a.m. - 4:30 p.m. CST, Monday - Friday or log on to [customerservice@ghpgroupinc.com](mailto:customerservice@ghpgroupinc.com).

PART	DESCRIPTION	PART #
1	Square smoke stack	312-02009-00
2	Smoker body- left	313-12001-00
3	Lifting handle	301-01010-00
4	Temperature gauge	211-02005
5	Logo plate - Dyna-Glo*	211-02002
6	Cooking grate	312-01014-00
7	Right door	313-02202-01
8	Door handle crank	302-02007-02
9	Door handle grip*	302-02007-01
10	Side damper plate*	301-01001-04
11	Leg – standard	301-01016-00
12	Grease cup	313-12002-01

PART	DESCRIPTION	PART #
13	Smoker body- right	313-12001-01
14	Left door	313-02202-00
15	Door handle grip-right*	403-02003-05
16	Door handle crank-right*	313-02202-03
17	Right handle washer	313-02202-04
18	Right door latch	313-02202-05
19	Ash tray	314-00001-00
20	Door locking bracket	302-01008-00
21	Cooking grate support	302-01030-00
22	Charcoal grate	314-00001-01
23	Charcoal chamber	314-00001-02
*Hardware Included		





# Fumoir Vertical aux Charbons de Bois

MODELE #DGO1176BDC-D



**JOIGNEZ VOTRE REÇU ICI**

Numéro de série \_\_\_\_\_ Date d'achat \_\_\_\_\_



**Des questions, des problèmes, des pièces manquantes?** Avant de retourner l'article au détaillant, appelez notre service à la clientèle au 1-877-447-4768, 08:30-16 heures 30, HNC, du lundi - vendredi ou par e-mail à [customerservice@ghpgroupinc.com](mailto:customerservice@ghpgroupinc.com).

## TABLE DES MATIÈRES

---

Consignes de sécurité .....	19
Contenu de l'emballage .....	21
Quincaillerie incluse .....	22
Préparation .....	22
Instructions pour l'assemblage .....	23
Mode d'emploi .....	28
Conseils sur le tabagisme .....	29
Entretien .....	32
Garantie .....	33
Liste des pièces de rechange .....	34



### CONSIGNES DE SÉCURITÉ

---

Assurez-vous de lire et de comprendre l'intégralité de ce manuel avant de tenter d'assembler, d'utiliser ou d'installer le produit. Si vous avez des questions concernant ce produit, veuillez téléphoner au service à la clientèle au 1-877-447-4768, 08:30-16 heures 30, HNC, du lundi - vendredi.



Soyez prudent lorsque vous soulevez ou déplacez l'appareil afin d'éviter une blessure au dos. Ne déplacez pas l'appareil lorsqu'il fonctionne.

- **IL NE FAUT PAS** utiliser l'appareil à proximité ou sur une matière inflammable ou combustible, par ex. une terrasse, une galerie, un abri d'auto. Il faut un espace minimal de 90 cm.
- **IL NE FAUT PAS** utiliser l'appareil en dessous d'une structure.
- Les constructions combustibles doivent être à une distance d'au moins 90cm des côtés, de l'arrière et de l'avant.
- **IL NE FAUT PAS** utiliser cet appareil comme chaufferette.
- Utilisez cet appareil sur une surface plane, stable et non inflammable tel que de l'asphalte ou du ciment. Et sur un sol ferme.
- **IL NE FAUT PAS** utiliser l'appareil sur une matière inflammable tel que du tapis ou une terrasse en bois.
- Soyez prudent lors de l'installation et l'utilisation de l'appareil afin d'éviter de vous couper ou de vous égratigner sur les rebords.
- **IL NE FAUT PAS** utiliser cet appareil pour faire autre chose que l'utilisation prévue. Il NE faut PAS l'utiliser à des fins commerciales. Il ne faut pas l'installer ou l'utiliser sur ou à l'intérieur d'un véhicule récréatif ou sur un bateau.
- **IL NE FAUT PAS** placer l'appareil près d'essence ou d'autres liquides combustibles. Ou dans un endroit où il y a d'autres vapeurs combustibles.
- **IL NE FAUT PAS** utiliser, ranger ou utiliser cet appareil dans un endroit accessible aux enfants et animaux domestiques. Rangez cet appareil dans un endroit sec et sécuritaire.
- **IL NE FAUT PAS** laisser l'appareil sans supervision durant son utilisation.

## **CONSIGNES DE SÉCURITÉ**

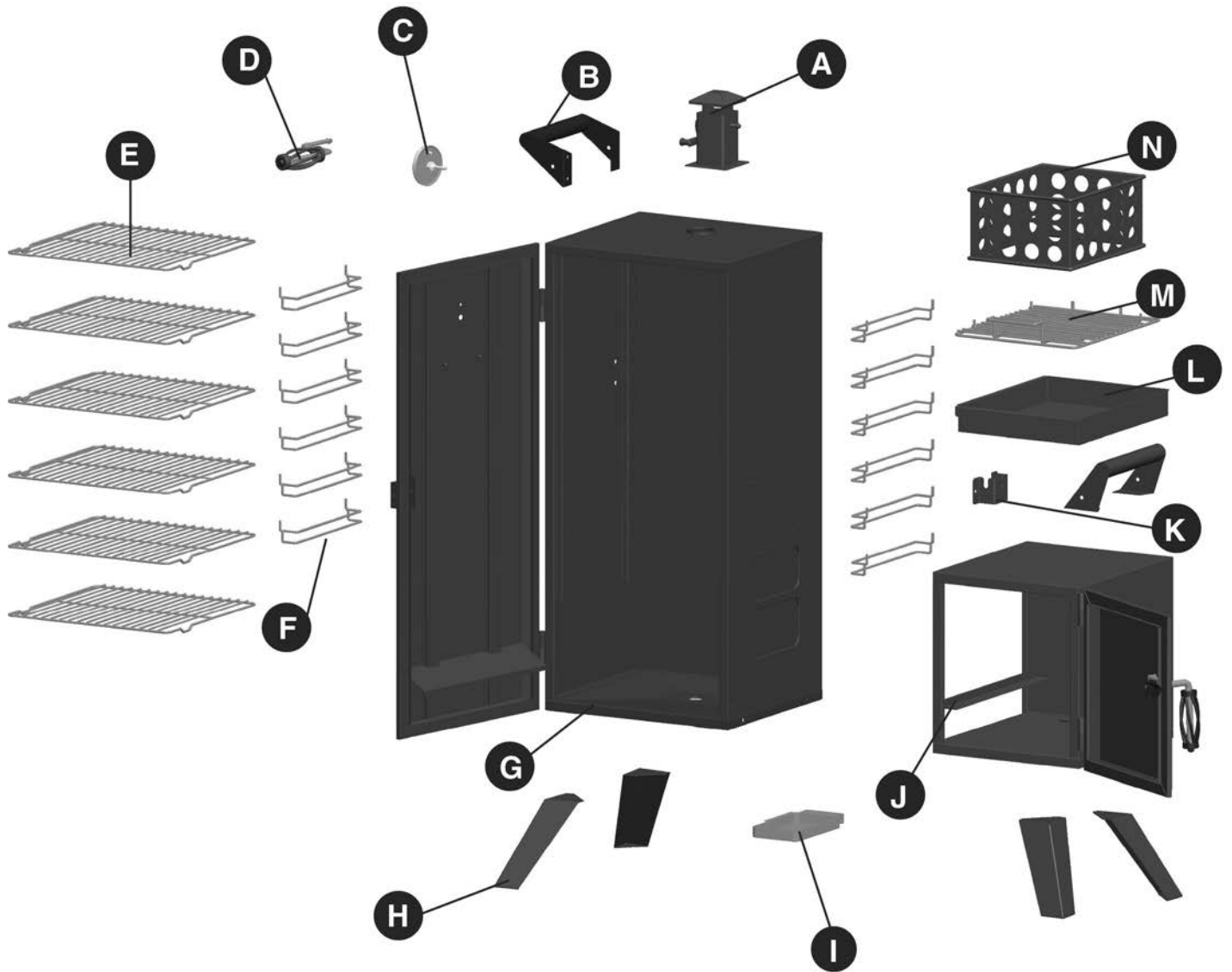
---

- **IL NE FAUT PAS** cesser de surveiller les cendres chaudes avant le refroidissement complet du fumoir.
- **IL NE FAUT PAS** déplacer l'appareil pendant l'utilisation et quand les cendres sont chaudes. Attendez le refroidissement complet de l'appareil avant de le déplacer ou de le ranger.
- **N'UTILISEZ JAMAIS** d'essence, de kérosène, l'essence pour briquet Zippo/Ronson ou d'autres liquides très volatiles pour allumer le feu.
- Il faut toujours faire cuire les aliments sur la grille lorsque la flamme est éteinte.
- Enveloppez les cendres froides dans un papier d'aluminium ultrarésistant et jetez-les dans un contenant non combustible. Soyez certain qu'il n'y a pas de matière combustible à l'intérieur du contenant ou près du contenant.
- Utilisez des gants résistants à la chaleur et de longues pinces de cuisine ou une pelle à cendres si vous devez enlever les cendres de l'appareil avant qu'elles soient complètement refroidies. Mettez les charbons dans un papier d'aluminium et faites-les mouiller complètement dans de l'eau avant de les jeter dans un contenant non combustible.
- Il faut attendre le refroidissement complet de l'appareil avant de le nettoyer ou de faire l'entretien.
- **IL NE FAUT JAMAIS** fermer complètement le registre de tirage lors de la cuisson.
- L'appareil sera chaud durant et après son utilisation. Utilisez des gants de cuisine isolants pour vous protéger des surfaces chaudes et des éclaboussures de cuisson.
- Soyez prudent lorsque vous ouvrez la porte du fumoir lors de l'utilisation. Protégez vos mains, votre visage et votre corps de la vapeur chaude et des flambées. **N'AVALEZ PAS** la fumée.
- **IL NE FAUT PAS** porter des vêtements amples lors de l'utilisation du fumoir. Attachez les cheveux longs à l'arrière lors de l'utilisation du fumoir.
- **PORTEZ TOUJOURS** des souliers qui recouvrent complètement les pieds lors de l'utilisation du fumoir.
- **IL NE FAUT JAMAIS** utiliser de la verrerie ou une batterie de cuisine en plastique ou en céramique dans le fumoir ou sur le fumoir. Utilisez seulement une batterie de cuisine métallique.
- Lors de l'utilisation de bois aromatisé, mettez une quantité suffisante de bois aromatisé avant la cuisson afin d'éviter d'avoir à ajouter du bois pendant la cuisson. L'ajout de bois durant l'utilisation peut causer des éclaboussures d'eau chaude et des blessures graves.
- L'utilisation d'accessoires non conçus pour ce fumoir est déconseillée puisque cela peut causer des blessures et des dommages matériels.
- Lisez toutes les instructions et tenez compte des avertissements avant l'assemblage et l'utilisation de l'appareil.
- Suivez toutes les instructions et tenez compte de tous les avertissements lors de l'utilisation de l'appareil.

### **PROPOSITION 65 DE LA CALIFORNIE**

Les combustibles utilisés dans les appareils de chauffage au gaz ou à l'huile, et les produits de combustion contiennent des produits chimiques reconnus par l'État de la Californie comme étant la cause de cancers et d'anomalies congénitales et d'autres problèmes liés aux fonctions reproductrices. Cet appareil contient des produits chimiques, notamment du plomb et des composés de plomb, reconnus par l'État de la Californie comme étant la cause de cancers, d'anomalies congénitales et d'autres problèmes liés aux fonctions reproductrices. **Lavez-vous les mains après l'avoir manipulé.**

## CONTENU DE L'EMBALLAGE



PIECE	DESCRIPTION	QTE	PIECE	DESCRIPTION	QTE
A	Assemblage de la cheminée	1	H	Patte	4
B	Poignée de levage	2	I	Récipient à graisse	1
C	Indicateur de température	1	J	Partie droite du fumoir	1
D	Poignée de porte	1	K	Loquet de porte	1
E	Grille de cuisson	6	L	Plateau de cendres	1
F	Support de grille à cuisson	12	M	Grille à charbon	1
G	Partie gauche du fumoir	1	N	Chambre de charbon	1

## QUINCAILLERIE INCLUSE

---

AA



Vis M6  
de 12 mm

Qté. 32

BB



Clip à  
Ressort

Qté. 1

## PRÉPARATION

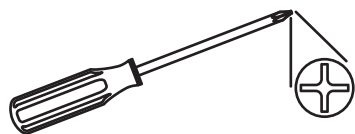
---

Avant de commencer l'assemblage du produit, assurez-vous d'avoir toutes les pièces. Comparez les pièces dans l'emballage avec la liste des pièces de la page précédente et la quincaillerie indiquée ci-dessus. S'il y a des pièces manquantes ou endommagées, ne tentez pas d'assembler le produit. Communiquez avec le service à la clientèle pour obtenir des pièces de rechange.

**Temps d'assemblage approximatif** : 15 minutes

**Outils nécessaires pour l'assemblage et la vérification des fuites (non inclus) :**

Tournevis Phillips, pinces, clé à molette



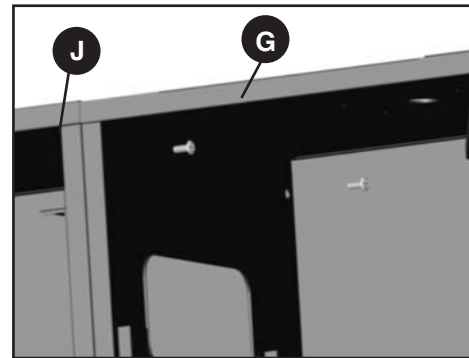
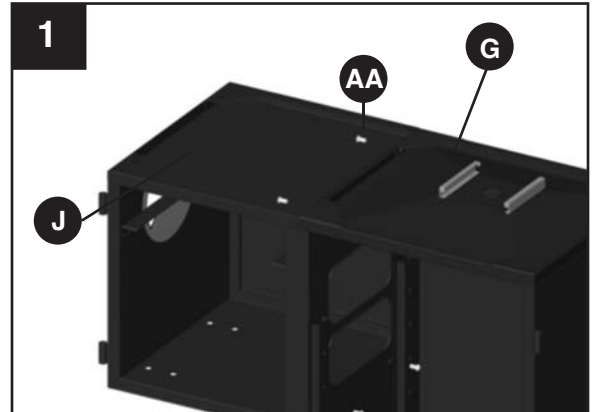
## INSTRUCTIONS POUR L'ASSEMBLAGE

**⚠ MISE EN GARDE:** Enlevez les deux portes avant de mettre le fumoir à l'envers.

1. Mettez la partie droite du fumoir à l'envers (J). Fixez la partie gauche du fumoir (G) à la partie droite du fumoir (J) avec six vis M6 x 12 (AA).

### Quincaillerie utilisée

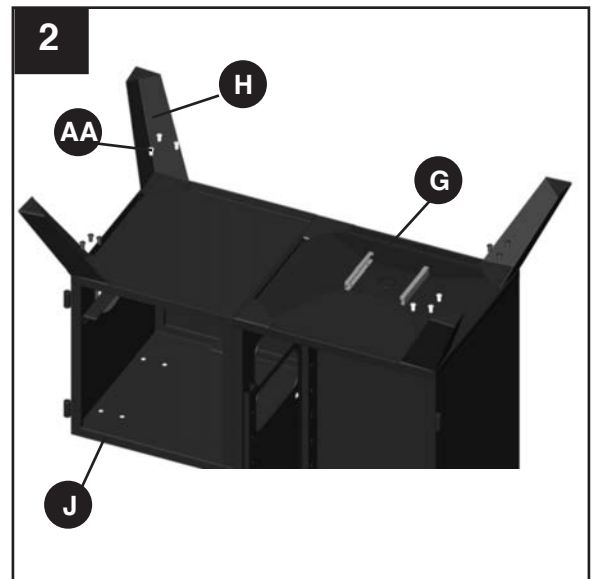
**AA** Vis M6 de 12 mm  x 6



2. Fixez les pattes (H) à la partie gauche du fumoir (G) et à la partie droite du fumoir (J) avec douze vis M6x12 (AA).

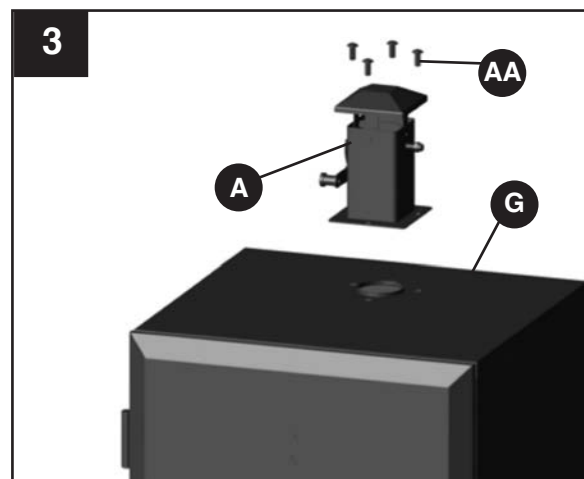
### Quincaillerie utilisée

**AA** Vis M6 de 12 mm  x 12




## INSTRUCTIONS POUR L'ASSEMBLAGE

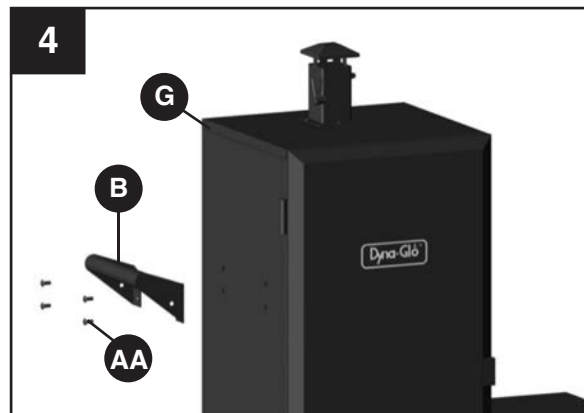
3. **ATTENTION ! Cet appareil est PESANT ! Vous devez demander de l'aide pour cette étape !**  
Demandez à quelqu'un de vous aider et mettez l'appareil debout sur ses pattes. La surface doit être de niveau et solide. (Soyez certain que les pattes sont installées solidement). Réinstallez les deux portes sur le fumoir. Placez la cheminée carrée (A) avec la manivelle sur le côté gauche (tel qu'illustré). Fixez la cheminée carrée (A) sur le dessus du fumoir (G) avec 4 boulons (AA). Vissez solidement avec un tournevis à tête étoilée.



### Quincaillerie utilisée

- AA** Vis M6 de 12 mm  x 4

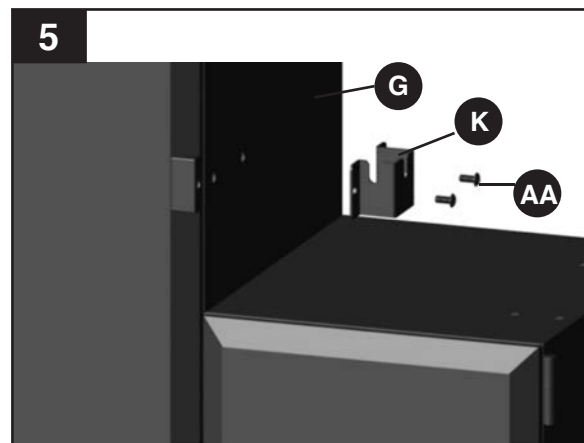
4. Fixez la poignée de levage (B) à la partie gauche du fumoir (G) avec quatre vis M6x12 (AA).



### Quincaillerie utilisée

- AA** Vis M6 de 12 mm  x 4

5. Fixez le loquet de la porte (K) à la partie gauche du fumoir (G) avec deux vis M6x12 (AA).



### Quincaillerie utilisée

- AA** Vis M6 de 12 mm  x 2

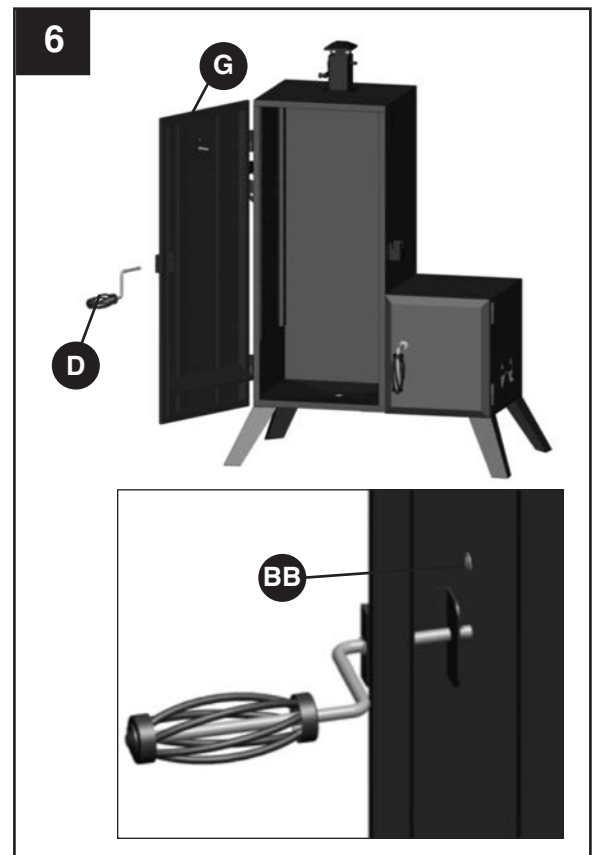


## INSTRUCTIONS POUR L'ASSEMBLAGE

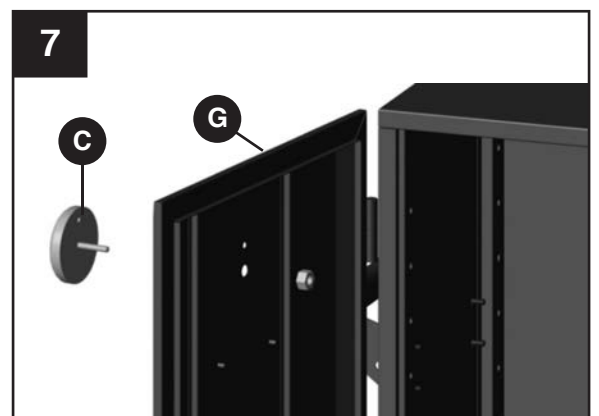
6. Insérez la poignée de la porte (D) dans le loquet de la porte. Utilisez des pinces pour insérer une attache à ressort (BB) sur la rainure de la poignée (tel qu'illustré). Soyez certain de bien fixer l'attache à ressort dans la rainure de la poignée.

### Quincaillerie utilisée

<b>BB</b>	Clip à Ressort		x 1
-----------	----------------	---	-----

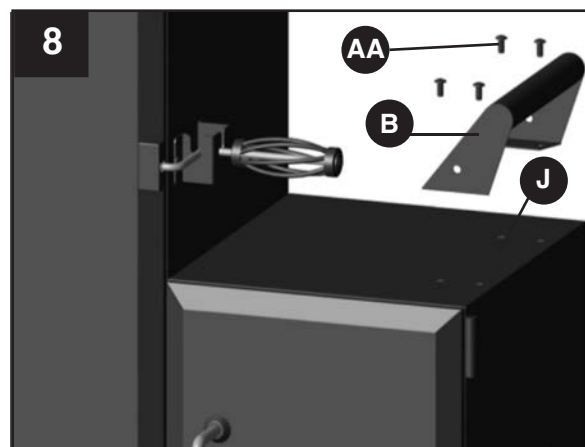


7. Commencez par enlever le boulon de l'indicateur de température. Insérez la sonde de l'indicateur de température (C) dans le trou à l'extérieur de la porte du four. Faites tenir avec le boulon à l'intérieur du panneau. Serrez avec une clef.



## INSTRUCTIONS POUR L'ASSEMBLAGE

8. Fixez la poignée de levage (B) à la partie droite du fumoir (J) avec quatre vis M6x12 (AA).

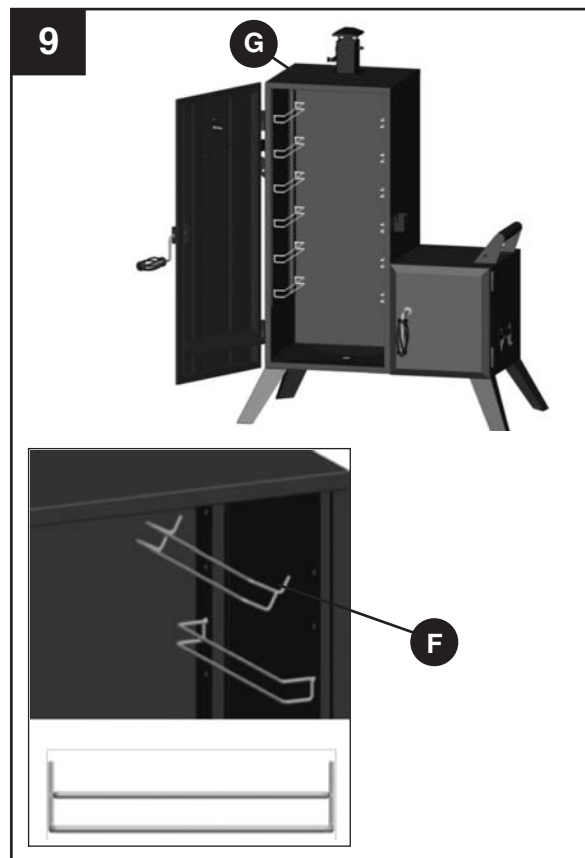


### Quincaillerie utilisée

- AA** Vis M6 de 12 mm x 4

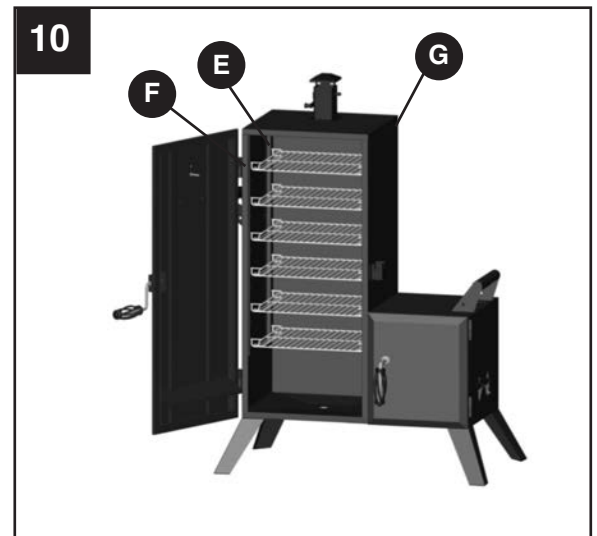


9. Installez les supports à grille (F) dans les trous à l'intérieur du fumoir (G). Installez-les du bas vers le haut. NOTE: les supports à grille s'insèrent à 12 douze endroits. Le propriétaire peut installer les supports à grille aux endroits qui lui conviennent.

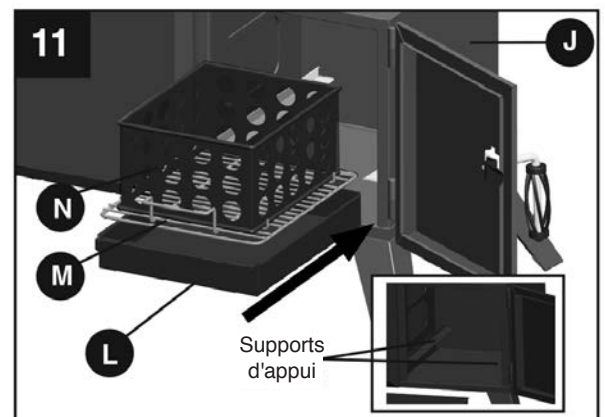


## INSTRUCTIONS POUR L'ASSEMBLAGE

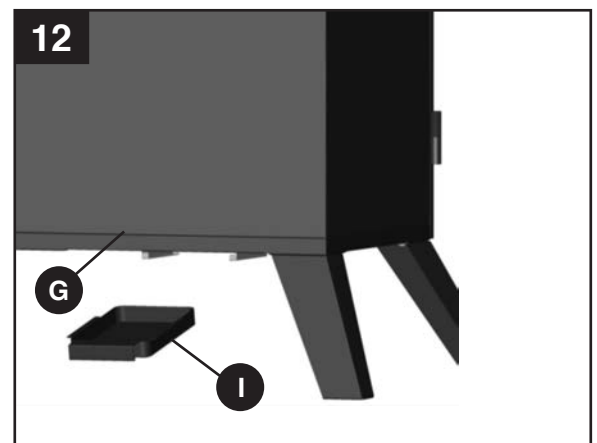
10. Glissez 6 grilles de cuisson (E) sur les supports à grille de cuisson (F) à l'intérieur du fumoir (G).



11. Placez la chambre de charbon (N) directement sur la grille à charbon (M) et coulisser la grille sur les supports d'appui situés à l'intérieur du corps droit du fumoir (J). Glissez le plateau de cendres (L) sous les supports d'appui.



12. Glissez le récipient à graisse (I) sur son support en bas dans la partie gauche du fumoir (G).



## MODE D'EMPLOI

---

### AVANT LA PREMIÈRE UTILISATION

Enlevez les attaches ou les sangles de plastique, s'il y en a.

Il est important de «préparer» votre fumoir avant de faire cuire de la nourriture. La préparation du fumoir améliore la peinture et l'intérieur du fumoir et permet donc d'obtenir une saveur plus agréable ainsi que d'augmenter la durabilité et l'efficacité. La préparation du fumoir est simple: il suffit de faire fonctionner normalement le fumoir sans toutefois ajouter de nourriture. Vous devrez suivre toutes les instructions d'utilisation dans les prochaines sections du manuel.

Faites fonctionner le fumoir à basse température (approximativement. 175°F / 79.4°C) pendant 45 – 60 minutes. Ajoutez du bois aromatisé et des marinades. Enlevez le bois et charbon de bois lorsque le fumoir sera refroidi.

Le revêtement à l'intérieur du fumoir sera durable lorsque la préparation sera complétée.

### Instructions d'allumage

**N'UTILISEZ PAS DU CHARBON PRÉTRAITÉ QUI S'ALLUME AVEC UNE ALLUMETTE (Match-Light) avec ce fumoir.** Utilisez seulement des briquettes standards non traitées ou du charbon de bois en bloc. Et utilisez SEULEMENT un allume-feu liquide approuvé pour charbon de bois. N'utilisez pas de l'essence pour briquet, un diluant pour peinture, de l'essence, du kérosène, de l'alcool ou d'autres matières inflammables pour allumer le charbon de bois. **L'utilisation de charbons de bois qui s'allument avec une allumette peut endommager le fumoir.**

#### Étape 1

Retirez la chambre et la grille à charbon de la boîte du fumoir. Placez la grille sur une surface de ciment qui soit libre de matériaux inflammables ou combustibles. Placez la chambre directement sur la grille à charbon. La chambre doit s'insérer entre les poignées de la grille et les supports soulevés de la même grille.

#### **Commencez avec au moins 4 livres. (1,8 kg.) De charbon (75 briquettes standard).**

Faire les ajustements nécessaires lors de la cuisson, en présence de grands vents ou lorsque qu'il y a des précipitations significatives.

#### Étape 2

Note: S'il vous plaît se référer à la quantité de liquide d'allumage recommandée par le fabricant du liquide, avant d'appliquer du liquide sur les briquettes. Avec la chambre et la grille à charbon à l'extérieur du foyer, saturez le charbon avec la quantité de liquide d'allumage recommandée par le fabricant du liquide. Laissez le liquide tremper le charbon pendant 3 minutes avant de placer la grille et la chambre à nouveau dans le foyer (se référer aux instructions d'assemblage pour le correct placement de la chambre et de la grille). Après le trempage du charbon, placez le liquide d'allumage à une distance sécuritaire du fumoir.

#### Étape 3

**Les deux portes doivent être ouvertes**, tenez-vous à distance et allumez prudemment les charbons de bois. Laissez-les brûler jusqu'à ce qu'ils soient recouverts d'une légère cendre (approximativement 20 minutes). Il faut que l'allume-feu liquide soit complètement brûlé avant de fermer les portes (la fumée a tendance à s'accumuler dans la partie supérieure quand la porte est fermée).

## MODE D'EMPLOI

---

### Instructions d'allumage(suite)

#### Étape 4

Les charbons devraient être prêts pour la cuisson et/ou l'ajout de copeaux de bois après 25 – 30 minutes. Ajoutez prudemment des morceaux de bois et utilisez de longues pinces de cuisine.

Reportez-vous à la section suivante avant d'ajouter des copeaux de bois au charbon pré-éclairé.

**⚠ DANGER: La fermeture des portes durant la procédure d'allumage peut emprisonner dans le fumoir la fumée du liquide d'allumage des charbons de bois. Cela peut causer un feu à inflammation instantanée ou une explosion quand une porte est ouverte ainsi que des pertes matérielles, des blessures et la mort. N'essayez jamais d'ajouter un allume-feu liquide aux charbons de bois après l'allumage.**

### D'AJOUTER DES COPEAUX DE BOIS (AVANT ET PENDANT LA CUISSON)

**⚠ AVERTISSEMENT:** Soyez prudent puisqu'il peut y avoir un flamboiement de feu lorsque l'air frais est en contact avec le feu. Éloignez votre visage, vos mains et votre corps lorsque vous ouvrez la porte afin de vous protéger de la vapeur chaude et des flamboiements de feu.

#### Copeaux de Bois Pré-trempés

Faire tremper dans l'eau la quantité désirée de copeaux pendant 30 minutes. Enveloppez les copeaux de bois dans du papier aluminium et percer des trous au-dessus de l'emballage. **SUIVEZ LES ÉTAPES À CONTINUATION AVANT D'AJOUTER LES COPEAUX DE BOIS PRÉ-TREMPÉS.**

#### Copeaux de Bois Secs

Les copeaux de bois secs peuvent être placés directement sur le charbon pré-éclairé sans papier aluminium. **SUIVEZ LES ÉTAPES À CONTINUATION AVANT D'AJOUTER LES COPEAUX DE BOIS SECS.**

La quantité et le type de bois utilisés sont entièrement dépendants de la quantité désirée de saveur.

#### Étape 1

Éloignez-vous et ouvrez prudemment la porte du fumoir afin de permettre à la chaleur et à la vapeur de s'éloigner de votre visage. Soyez prudent, car les flammes peuvent s'élancer lors du contact de l'air frais et du feu. Vérifiez la quantité de charbon de bois dans le récipient.

#### Étape 2

En portant des mitaines / gants de cuisine retardateurs de flamme, utilisez des longues pinces métalliques de cuisson pour écarter légèrement les cendres des charbons ardents. Utilisez des longues pinces métalliques de cuisson pour ajouter les copeaux de bois (et / ou le charbon) dans la chambre de charbon, en faisant attention de ne pas remuer des cendres et des étincelles.

**⚠ AVERTISSEMENT:** N'ajoutez jamais un allume-feu sur des charbons chaud ou tiède. Un retour de flamme pourrait survenir causant des brûlures graves.

#### Étape 3

Fermez la porte du fumoir pour continuer la cuisson des aliments.

Il faut attendre le refroidissement complet des cendres avant de réutiliser ou de nettoyer le fumoir.

## CONSEILS POUR LE FUMAGE DES ALIMENTS

Le fumage et le grillage des aliments sont deux techniques différentes. En général, le fumage est effectué lentement et à une température plus faible que le grillage. La fumée qui se dégage du bois pénètre dans la viande et lui donne le goût de fumée tant apprécié. Le grillage est beaucoup plus rapide et nécessite des températures plus élevées.

Suivez toujours les recommandations du fabricant en ce qui a trait au nettoyage et à l'entretien. Vérifiez la quantité de gaz dans la bouteille. Il est désagréable de manquer de gaz en plein milieu du fumage d'un aliment. Songez à vous procurer une bouteille de propane de rechange.

Voici une liste des essences de bois les plus répandues pour le fumage des aliments ainsi que quelques renseignements sur chacune d'elles.

Essence de bois	Aliment suggéré	Commentaires
Pommier	Toutes les viandes	Saveur douce, sucrée et légèrement fruitée. Chaque espèce de pommier confère aux aliments une saveur légèrement différente. Le bois de pommier produit un effet de brunissement qui rend la nourriture encore plus appétissante.
Amandier	Toutes les viandes	Saveur sucrée et goût naturel de noisette.
Frêne	Poisson et viande rouge	Saveur très douce.
Citronnier	Porc et poulet	Les bois de citronnier et d'oranger confèrent aux aliments une saveur douce, mais fruitée.
Cerisier	Porc et bœuf	Saveur douce et fruitée.
Bois fruitier	Porc, volaille et poisson	Les bois de pêcher, de poirier et de prunier confèrent aux aliments une saveur de fumée douce, sucrée et légèrement fruitée.
Vigne	Volaille, gibier et agneau	Le bois de vigne dégage beaucoup de fumée et brûle longtemps. Il donne aux aliments une saveur acidulée et légèrement fruitée.
Hickory	Porc et bœuf	Le bois de hickory est sans doute le bois le plus recherché pour fumer les aliments. La saveur qu'il produit est très intense; par conséquent, nous vous recommandons d'utiliser une faible quantité de ce bois pour commencer.
Érable	Porc et volaille	Saveur douce et sucrée.
Prosopis	Bœuf, poulet et poisson	Ce bois dégage une chaleur très intense, alors soyez prudent. Tout comme le bois de hickory, ce bois est très apprécié et confère aux aliments une saveur prononcée.
Chêne	Viande rouge, gibier, côtes et poisson	Ce bois produit également beaucoup de fumée. Utilisez-en une faible quantité pour commencer.
Pacancier	Côtes et viande rouge	Ce bois dégage une légère fumée qui donne aux aliments une saveur sucrée et un goût de noisette.

## TEMPERATURES DE FUMAGE PROPOSÉES

### Températures fumeurs

Températures de fumer accurate sont essentiels pour la nourriture en toute sécurité cuisson lorsque les sondes de viande ne sont pas disponible. Veuillez comprendre que l'utilisation de la jauge de température installé en usine est acceptable outil pour la nourriture de fumer, mais ce n'est pas toujours le moyen idéal de mesurer le tabagisme le plus précis température, car les températures internes de fumeurs peuvent varier entre la cuisine haut et en bas grilles. Aussi garder à l'esprit que les sondes utilisées sur la plupart des indicateurs sont conçus pour mesurer la la température à la pointe de la sonde de température et non pas la température globale du fumeur.

Alternativement, il est recommandé que les utilisateurs soit par achat, une température prêt à cuire après-vente évaluer, ou un thermomètre à viande. Thermomètres à viande sont le moyen le plus efficace de déterminer quand la nourriture est cuite à la température minimale requise pour la consommation sécuritaire. S'il vous plaît se référer au tableau ci-dessous pour températures de cuisson.

### TEMPERATURES DE FUMER PROPOSÉES

	Températures de fumage proposees	Températures Minimales Recommandées pou les Aliments
<b>Viande, Volaille, Poisson</b>		
<b>Boeuf, veau et agneau (morceaux et pièces entières)</b>		
Mi-saignante	225°F (107.2°C)	145°F (63°C)
Medium	225°F (107.2°C)	160°F (71°C)
Bien faite	225°F (107.2°C)	170°F (77°C)
<b>Porc (jambon, longe de porc, côtes)</b>		
Porc (morceaux et pièces entières)	225 - 240°F (107.2 - 115.6°C)	160°F (71°C)
<b>Viande hachée et mélanges de viande (hamburgers, saucisses, boulettes de viande, pain de viande, ragoûts et le bœuf attendri mécaniquement)</b>		
Boeuf, veau, y compris attendries mécaniquement, agneau et le porc	250 - 300°F (121 - 149°C)	160°F (71°C)
Volaille (poulet et dinde)	250 - 300°F	165°F (74°C)
<b>Volaille (poulet et dinde)</b>		
Pièces	250°F (121°C)	165°F (74°C)
Entières	240°F (115.6°C)	185°F (85°C)
<b>Fruits de mer</b>		
Poisson	225 - 240°F (107.2 - 115.6°C)	158°F (70°C)
Crustacés (crevettes, homard, crabe, pétoncles, palourdes, moules et huîtres)	225 - 240°F (107.2 - 115.6°C)	165°F (74°C)
<b>Comme il est difficile d'utiliser un thermomètre pour aliments afin de vérifier la température des crustacés, jeter ceux qui ne s'ouvrent pas après la cuisson.</b>		


	Températures de fumage proposees	Températures Minimales Recommandées pou les Aliments
<b>Gibier</b>		
<b>Côtelettes, steaks et rôtis (cerfs, wapitis, originaux, caribous / rennes, antilopes et pronghorn)</b>		
Mi-saignante	225°F (107.2°C)	170°F (77°C)
<b>Grand gibier</b>		
Ours, bison, bœuf musqué, morse, etc	250 - 300°F (121 - 149°C)	165°F (74°C)
<b>Petit gibier</b>		
Lapin, rat musqué, castor, etc	225 - 240°F (107.2 - 115.6°C)	165°F (74°C)
<b>Viande hachée</b>		
Viande hachée et mélanges de viandes	250 - 300°F (121 - 149°C)	165°F (74°C)
Cerf haché et saucisses	250 - 300°F (121 - 149°C)	165°F (74°C)
<b>Gibier à plumes / sauvagine (dindon sauvage, canard, oie, perdrix et faisan)</b>		
Entières	250°F (121°C)	180°F (82°C)
Poitrines et rôtis	250°F (121°C)	165°F (74°C)
Cuisses, ailes	250°F (121°C)	165°F (74°C)
Farce (cuite seule ou dans un oiseau)	250°F (121°C)	165°F (74°C)



### SÉCURITÉ ET ENTRETIEN APRÈS UTILISATION

#### **AVERTISSEMENT**

- Soyez prudent lorsque vous soulevez ou déplacez le fumoir, et ce, afin d'éviter des blessures. Il faut que deux personnes soulèvent ou déplacent le fumoir.
- IL NE FAUT PAS placer l'appareil près d'essence ou d'autres liquides combustibles. Ou dans un endroit où il y a des vapeurs combustibles. Il ne doit pas avoir de matière combustible ou de vapeurs combustibles autour du fumoir.
- IL NE FAUT PAS ranger ce fumoir dans un endroit accessible aux enfants et animaux domestiques. Rangez le fumoir dans un endroit sec et sécuritaire.
- IL NE FAUT PAS laisser des personnes s'approcher du fumoir après utilisation ; il faut attendre le refroidissement du fumoir. Il est chaud durant l'utilisation et chaud, pour un temps, après l'utilisation.
- IL NE FAUT PAS cesser de surveiller les cendres chaudes lorsque le fumoir n'est pas complètement refroidi.
- Le fumoir devient extrêmement chaud. Attendez le refroidissement complet du fumoir avant l'utilisation. Attendez le refroidissement du fumoir avant d'enlever ou de nettoyer le récipient à graisse.
- Enveloppez les cendres froides dans un papier d'aluminium ultrarésistant et jetez-les dans un contenant non combustible.
- Utilisez des gants résistants à la chaleur pour enlever le récipient à charbons de bois si vous devez enlever les cendres avant qu'elles soient complètement refroidies. Mettez les cendres dans un papier d'aluminium et mouillez-les complètement dans de l'eau avant de les jeter dans un contenant non combustible.

 **AVERTISSEMENT:** L'entretien doit se faire lorsque le fumoir est complètement refroidi. L'entretien doit toujours être fait par un technicien qualifié.

Nettoyez la copeaux de bois la bac et grille de cuisson avec de l'eau chaude savonneuse. Rincez et séchez. Vous pouvez vaporiser une fine couche d'huile de cuisson sur le la grille de cuisson.

Utilisez un linge humide pour nettoyer l'intérieur et l'extérieur du fumoir.

Il est déconseillé de laver avec un nettoyeur haute pression. Il faut enlever les traces d'humidité à l'intérieur et à l'extérieur du fumoir. Après le nettoyage, vous pouvez, si vous le désirez, vaporiser ou appliquer une fine couche d'huile de cuisson sur la surface intérieure du fumoir.

Utilisez une laine d'acier ou une toile d'émeri pour enlever la rouille sur la surface externe du fumoir. Utilisez de la peinture résistant à la chaleur.

IL NE FAUT JAMAIS peindre l'intérieur du fumoir. Utilisez une laine d'acier ou une toile d'émeri pour enlever la rouille à l'intérieur du fumoir. Appliquez une fine couche d'huile de cuisson en aérosol ou d'huile de cuisson pour enrayer la rouille.

Protégez le fumoir des intempéries en le recouvrant lorsqu'il n'est pas utilisé.



## **GARANTIE LIMITÉE**

---

Ce fumoir vertical de charbon est garanti contre pièces cassées ou endommagées au moment de l'achat. Toutes les autres pièces portent un (1) an de garantie limitée, sauf la chambre de charbon, qui est garantie d'être libre de défauts pendant 90 jours. La peinture est garantie d'être libre de défauts pendant 90 jours à l'exception de la rouille, qui peut apparaître après une utilisation répétée.

La garantie ne couvre pas les dommages ou les problèmes liés à une négligence, à un usage abusif ou aux modifications apportées à l'appareil. La garantie ne couvre pas les coûts de main-d'oeuvre.

Toutes les pièces couvertes par la garantie seront expédiées sans frais selon la méthode choisie par le fabricant (envoi terrestre par US Mail ou Parcel Post **UNIQUEMENT**). Tout montant additionnel (par exemple, la livraison le lendemain, le surlendemain, etc.) relève de la responsabilité du consommateur.

Toutes les réclamations au titre de la garantie ne peuvent être effectuées que par l'acheteur initial du produit et nécessitent une preuve d'achat qui indique la date d'achat. Ne retournez aucune pièce à l'adresse de GHP sans avoir obtenu un numéro d'autorisation de retour de notre service à la clientèle. Vous pouvez appeler sans frais notre service à la clientèle au 1-877-447-4768, huit heures et demie-16h30, HNC, du lundi - vendredi.

**AVIS** : Certains États ou certaines provinces ne permettent pas une limitation de la durée de la garantie implicite ou une exclusion ou une limitation des dommages accidentels ou consécutifs, de sorte que les limitations ou exclusions mentionnées ci-dessus peuvent ne pas s'appliquer à vous. Cette garantie vous confère des droits précis. Il est possible que vous disposiez également d'autres droits, qui varient d'un État ou d'une province à l'autre.

GHP Group, Inc.  
6440 W. Howard Street  
Niles, IL, États-Unis  
60714-3302

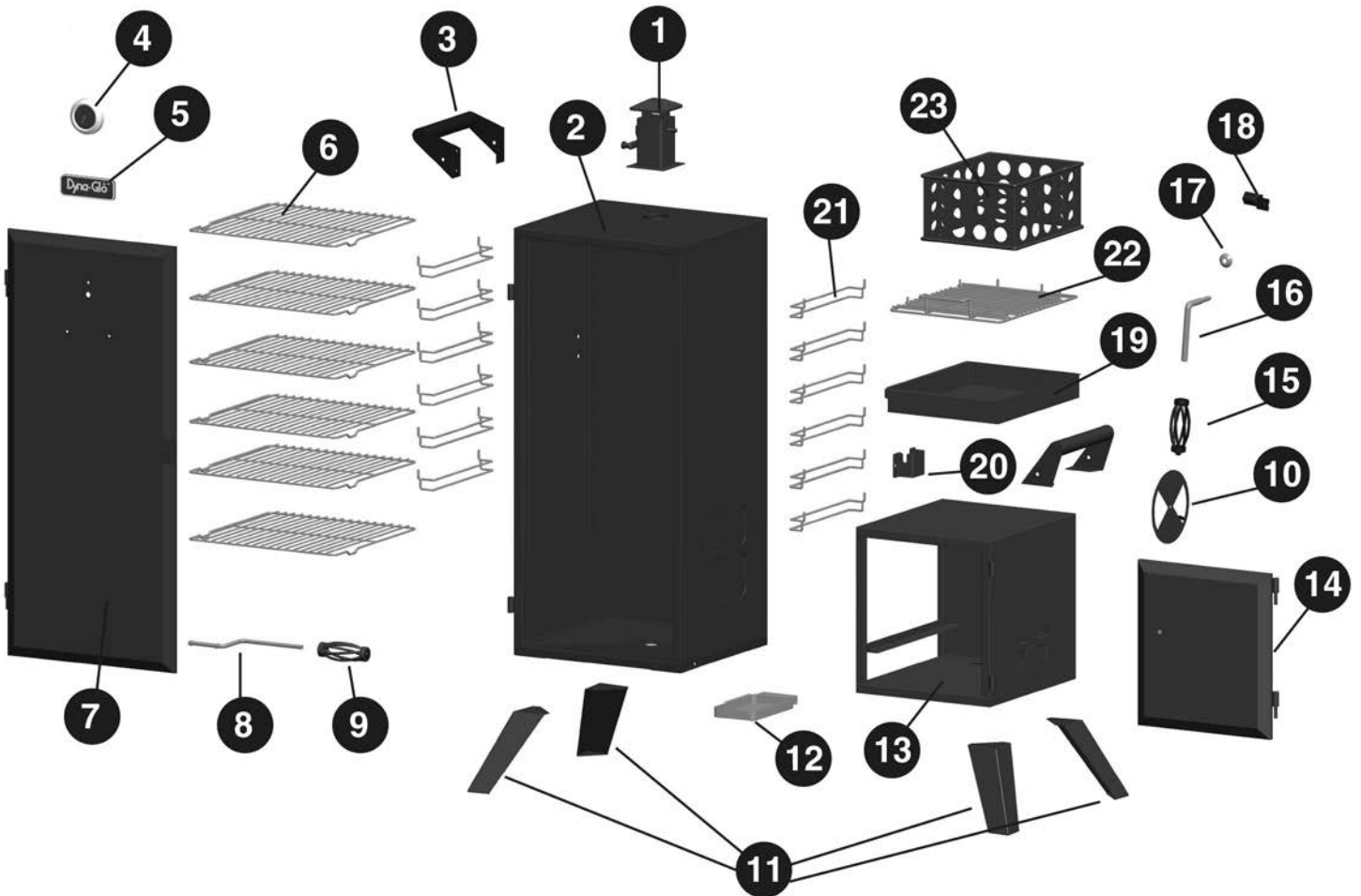
Nom de l'article : Fumoir Vertical de charbon  
Modèle : DGO1176BDC-D

## LISTE DES PIÈCES DE RECHANGE

Pour les pièces détachées, appelez notre service à la clientèle au 1-877-447-4768, 8 heures 30-16h30, HNC, du lundi - vendredi.

RÉF	DESCRIPTION	NO DE PIÈCE
1	Cheminée carrée	312-02009-00
2	Partie gauche du fumoir	313-12001-00
3	Poignée de levage	301-01010-00
4	Indicateur température	211-02005
5	Logo plaque Dyna-Glo*	211-02002
6	Grille de cuisson	312-01014-00
7	Porte droite	313-02202-01
8	Manivelle de porte	302-02007-02
9	Gaine de poignée*	302-02007-01
10	Plaque latérale registre*	301-01001-04
11	Patte standard	301-01016-00
12	Réceptacle à graisse	313-12002-01

RÉF	DESCRIPTION	NO DE PIÈCE
13	Côté droit du fumoir	313-12001-01
14	Porte gauche	313-02202-00
15	Gaine poignée droite*	403-02003-05
16	Manivelle porte droite*	313-02202-03
17	Rondelle poignée droite	313-02202-04
18	Loquet porte droite	313-02202-05
19	Plateau de cendres	314-00001-00
20	Support de porte	302-01008-00
21	Grille de cuisson soutien	302-01030-00
22	Grille à charbon	314-00001-01
23	Chambre de charbon	314-00001-02
*Matériel Inclus		





# Ahumador Vertical Indirecto a Carbón

MODELO #DGO1176BDC-D



**ADJUNTE SU RECIBO AQUÍ**

Número de serie \_\_\_\_\_ Fecha de compra \_\_\_\_\_



**¿Preguntas, problemas, piezas faltantes?** Antes de volver a la tienda, llame a nuestro Departamento de Servicio al Cliente al 1-877-447-4768, de 8:30 am - 4:30 pm, hora central, de lunes - viernes o envíe un correo electrónico a [customerservice@ghpgroupinc.com](mailto:customerservice@ghpgroupinc.com).

## INDICE


---

Informacion de seguridad .....	36
Contenido del paquete .....	38
Aditamentos .....	39
Preparacion .....	39
Instrucciones de ensamblaje .....	40
Instrucciones de funcionamiento .....	45
Consejos para fumar .....	47
Cuidado y mantenimiento .....	49
Garantia .....	50
Lista de piezas de repuesto .....	51

## INFORMACION DE SEGURIDAD

---

Lea y comprenda completamente este manual antes de intentar ensamblar, usar o instalar el producto. Si tiene preguntas relacionadas con el producto, llame al Servicio al Cliente al: 1-877-447-4768, de 8:30 am - 4:30 pm, hora central, de lunes - viernes.

-  Tenga cuidado al levantar o mover el aparato para evitar lesiones en la espalda tensión o hacia atrás. No mueva la unidad mientras esté en uso.
- **NO** utilice la unidad cerca de materiales inflamables o combustibles o bajo Tales como terrazas, porches o cocheras. Un espacio mínimo de 36 pulgadas. se requiere.
  - **NO** opere la unidad en construcción por encima.
  - Un espacio libre mínimo a la construcción de combustible es de 36 pulg desde los lados y atrás.
  - **NO** use este electrodoméstico como un calefactor.
  - Utilice la unidad sobre una superficie estable, nivelada, no inflamable área, tales como asfalto, concreto o sólido suelo.
  - **NO** opere la unidad sobre una superficie inflamable como una alfombra o cubierta de madera.
  - Tenga cuidado al montar y operar esta unidad para evitar cortes y rasguños de los bordes.
  - **NO** utilice este producto en una forma distinta a las TIC finalidad prevista. No tiene la intención de uso comercial. No está diseñado para ser instalado o utilizado en o sobre un vehículo recreativo y / o barcos.
  - **NO** almacene gasolina cerca de esta unidad u otros líquidos inflamables o combustibles, otra donde los vapores puedan estar presentes.
  - **NO** use ni almacene o utilice este producto en el año a disposición de los niños de la zona o mascotas. Almacene la unidad en un lugar seco protegido.

## INFORMACION DE SEGURIDAD

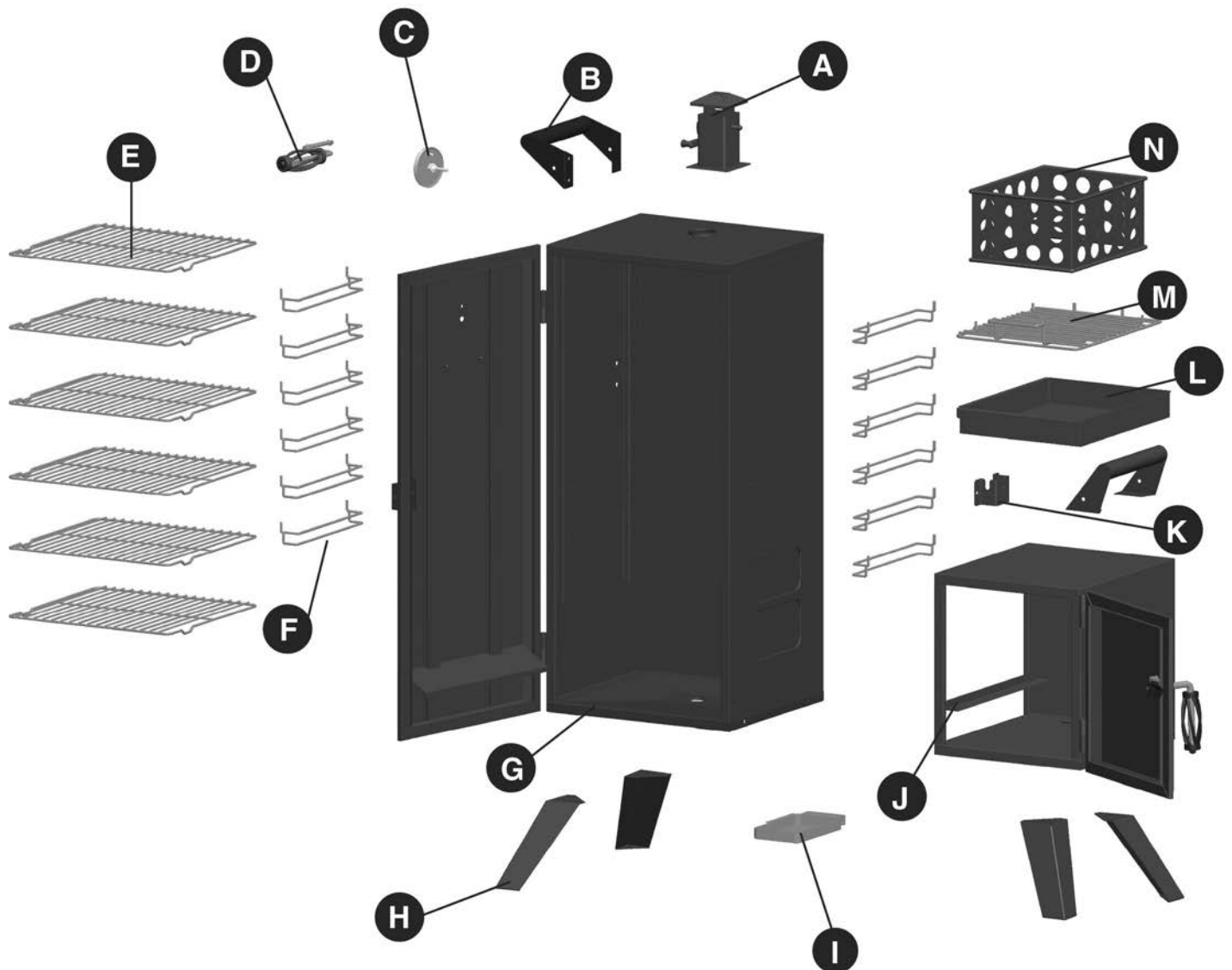
---

- **NO** deje la unidad desatendida mientras está en uso.
- **NO** deje ceniza caliente sin vigilancia hasta que el ahumador se enfríe completamente.
- **NO** mueva la unidad mientras esté en uso o cenizas mientras están todavía calientes. Deje que la unidad se enfríe por completo antes de moverlo o guardarlo.
- **NUNCA** utilice gasolina, queroseno, Zippo / Ronson líquido luz u otros fluidos altamente volátiles como titular.
- Siempre cocine los alimentos en la parrilla efectiva la llama se ha fundido.
- Deseche las cenizas frías envolviéndolas en papel de aluminio em pesado y colocación en un recipiente no combustible. Que hacer seguro que no hay otros materiales combustibles en o cerca del recipiente.
- Si usted debe tener las cenizas en menos tiempo que toma para que las cenizas se enfríen completamente, retire las cenizas de la unidad, utilizando guantes resistentes al calor, junto con pinzas de metal o una pala larga chimenea. Papel de aluminio en lugar de los carbones y em empapar completamente con agua antes de deshacerse de ellos en un recipiente no combustible.
- Deje que la unidad se enfríe completamente antes de limpiarlo o realizar cualquier mantenimiento rutinario.
- **NUNCA** cierre la compuerta completamente durante la cocción.
- Este aparato está caliente y la caída en el uso efectivo. Use guantes de cocina aislada o guantes para protegerse de las superficies calientes o salpicaduras de los líquidos de cocción.
- Tenga cuidado cuando abra la puerta del ahumador mientras está en funcionamiento. Mantenga las manos, la cara y el cuerpo segura del vapor caliente o llamarada ups. **NO** inhalar humo.
- **NO** use ropa suelta mientras opera el ahumador. Amarre el cabello largo mientras opera el ahumador.
- **SIEMPRE** use zapatos que cubran completamente los pies mientras se opera el ahumador.
- **NUNCA** use cristalería, utensilios de cocina de plástico o de cerámica es oro en tu fumador. Utilice sólo recipientes metálicos.
- Cuando se utiliza aroma de madera, añada una cantidad suficiente antes de la operación para no tener que agregar madera mientras se conduce.
- El uso de accesorios no previstos para este fumador no es recomendable y puede causar lesiones o daños a la propiedad.
- Lea y siga todas las advertencias e instrucciones antes de armar y usar el aparato.
- Siga todas las advertencias e instrucciones Cuando se utiliza el aparato.

### **PROPUESTA 65 DE CALIFORNIA**

Los combustibles que se usan en electrodomesticos de combusti6n a gas o petreo y los productos de la incineracion de dichos combustibles contienen sustancias quimicas reconocidas por el estado de California como causantes de cancer, defectos congenitos u otros danos en el aparato reproductivo. Este producto contiene sustancias quimicas, incluido plomo y compuestos de plomo, reconocidas por el estado de California como causantes de cancer, defectos congenitos u otros danos en el aparato reproductivo. **Lavese las manos despues de manipularlo.**

## CONTENIDO DEL PAQUETE



PIEZA	DESCRIPCION	CANT.
A	Ensamble la chimenea de humo	1
B	Manija para levantar	2
C	Medidor de temperatura	1
D	Manija de la puerta	1
E	Parrilla de cocción	6
F	Soporte de la parrilla de cocción	12
G	Cuerpo izquierdo del ahumador	1

PIEZA	DESCRIPCION	CANT.
H	Pata	4
I	Taza para la grasa	1
J	Cuerpo derecho del ahumador	1
K	Abrazadera del seguro la puerta	1
L	Bandeja de la ceniza	1
M	Parrilla de carbón	1
N	Contenedor de carbón	1

## ADITAMENTOS

---

AA



Tornillo  
M6x12

Cant. 32

BB



Clip de  
Resorte

Cant. 1

## PREPARACION

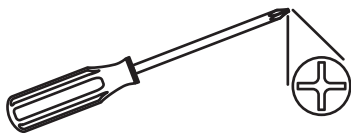
---

Antes de comenzar a ensamblar el producto, asegurese de tener todas las piezas. Compare las piezas con la lista del contenido del paquete de la pagina anterior y los aditamentos que aparecen arriba. No intente ensamblar el producto si falta alguna pieza o si estas estan danadas. Póngase en contacto con el Departamento de Servicio al Cliente para obtener piezas de repuesto.

**Tiempo estimado de ensamblaje:** 15 minutos

**Herramientas necesarias para el ensamblaje y la prueba de fugas (no se incluyen):**

Destornillador Phillips, pinzas, llave ajustable



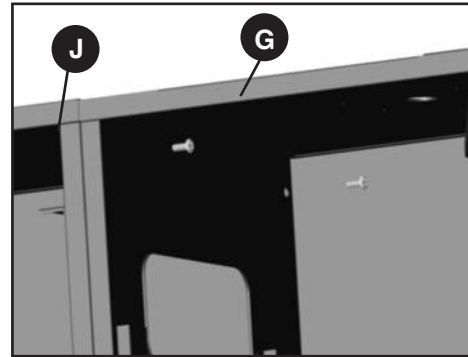
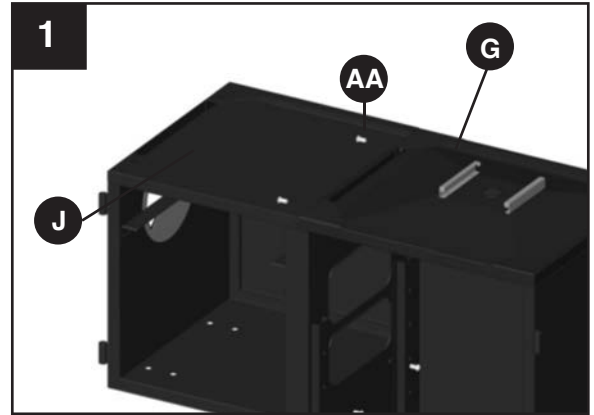
## INSTRUCCIONES DE ENSAMBLAJE

**⚠ PRECAUCIÓN:** Retire las dos puertas antes colocar el ahumador al revés.

1. Con el cuerpo derecho del ahumador (J) al revés, acople el cuerpo izquierdo (G) al derecho (J) utilizando seis tornillos M6x12 (AA).

### Aditamentos utilizados

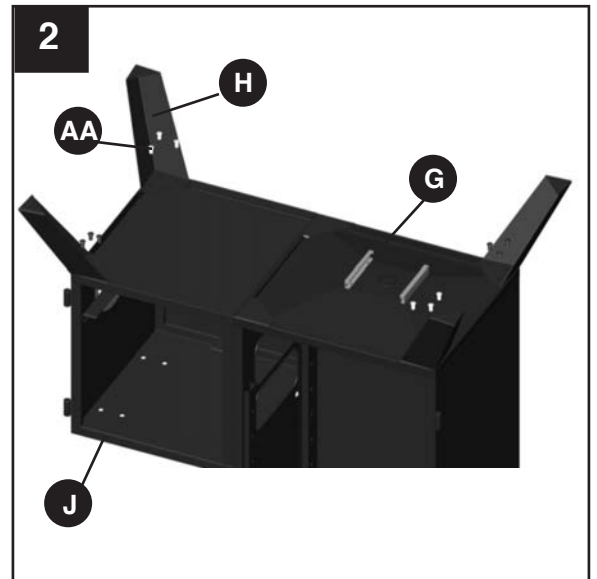
**AA** M6x12  
Tornillo x 6



2. Acople las patas (H) a los cuerpos izquierdo (G) y derecho (J) del ahumador utilizando doce tornillos M6x12 (AA).

### Aditamentos utilizados

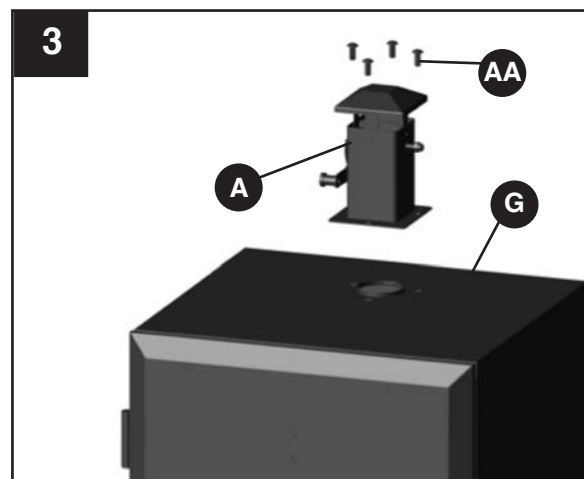
**AA** M6x12  
Tornillo x 12





## INSTRUCCIONES DE ENSAMBLAJE

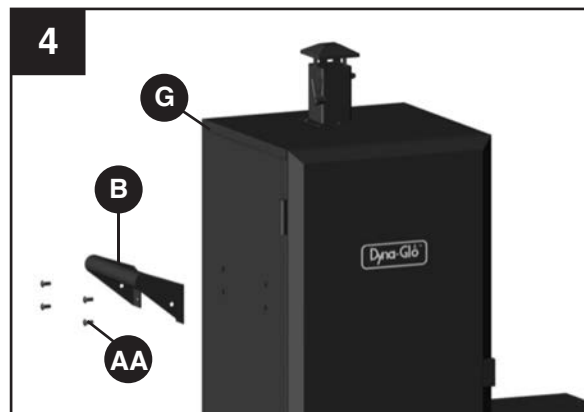
3. **PRECAUCIÓN: ¡Esta unidad es PESADA! ¡No intente efectuar este paso sin ayuda!**  
Con la asistencia de un ayudante, coloque la unidad sobre sus patas en posición derecha, sobre una superficie firme y nivelada. (Asegúrese de que las patas estén bien acopladas). Coloque de nuevo las dos puertas en el cuerpo del ahumador. Coloque la chimenea de humo cuadrada (A) con el brazo de control hacia la izquierda como se muestra. Utilizando 4 tornillos (AA), acople la chimenea de humo cuadrada (A) a la parte superior del cuerpo del ahumador (G). Apriete firmemente con un destornillador Phillips (de estrella).



### Aditamentos utilizados



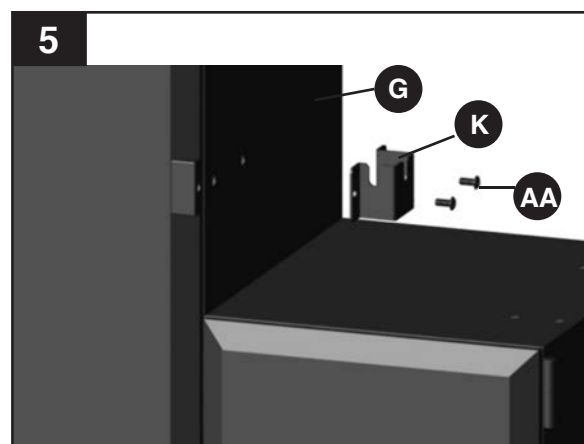
4. Acople la manija para levantar (B) al cuerpo izquierdo del ahumador (G) utilizando cuatro tornillos M6x12 (AA).



### Aditamentos utilizados

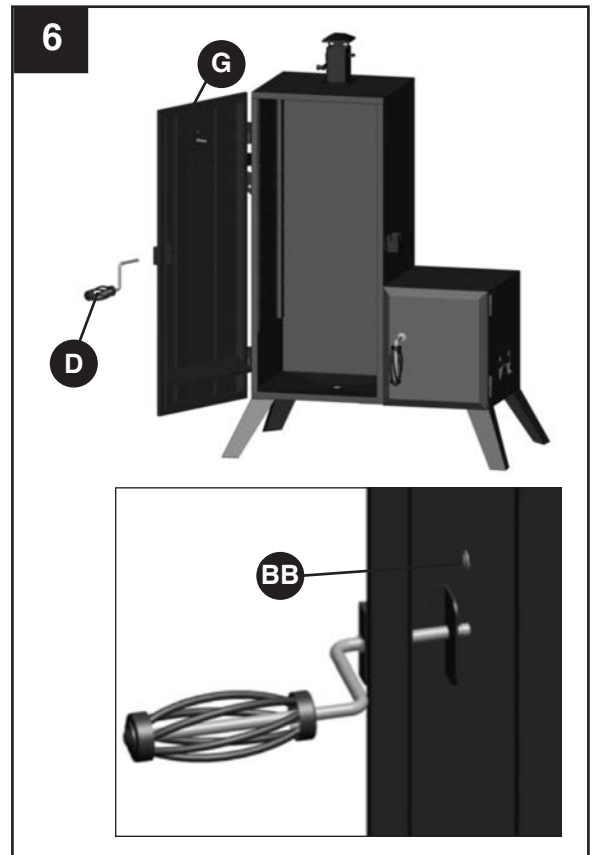


5. Acople la abrazadera de la manija de la puerta (K) al cuerpo izquierdo del ahumador (G) utilizando dos tornillos M6x12 (AA).



## INSTRUCCIONES DE ENSAMBLAJE

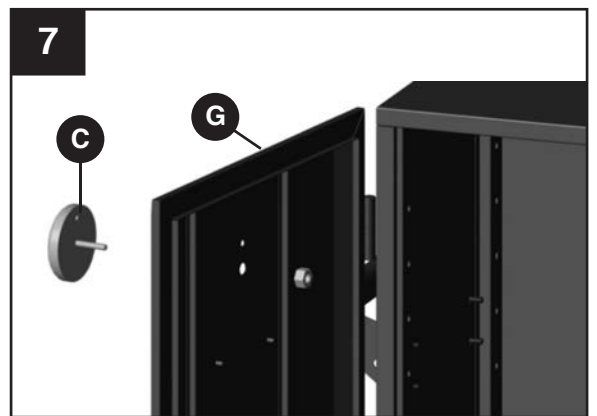
6. Deslice la manija de la puerta (D) a través de las abrazaderas en la puerta. Utilizando pinzas, deslice un clip de resorte (BB) sobre la ranura en la manija de la puerta como se muestra. Cerciórese de que el clip de resorte esté acoplado completamente en las ranuras de la manija.



### Aditamentos utilizados

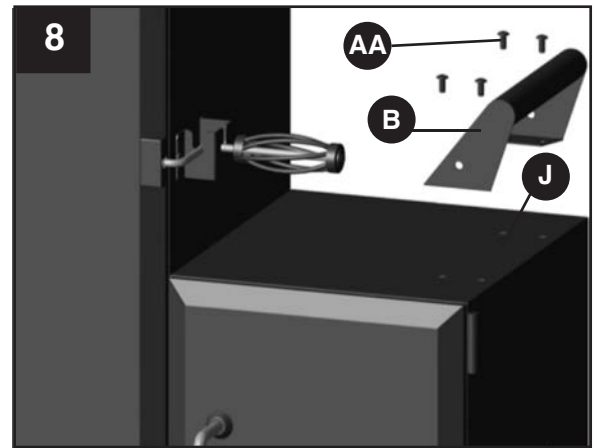
- BB** Clip de Resorte x 1
- 

7. En primer lugar, quite la tuerca pre-instalada del medidor de temperatura. Inserte la sonda del medidor de temperatura (C) a través del orificio de la puerta, desde afuera. Asegúrelo con la tuerca desde el panel interior. Apriete con una llave inglesa.



## INSTRUCCIONES DE ENSAMBLAJE

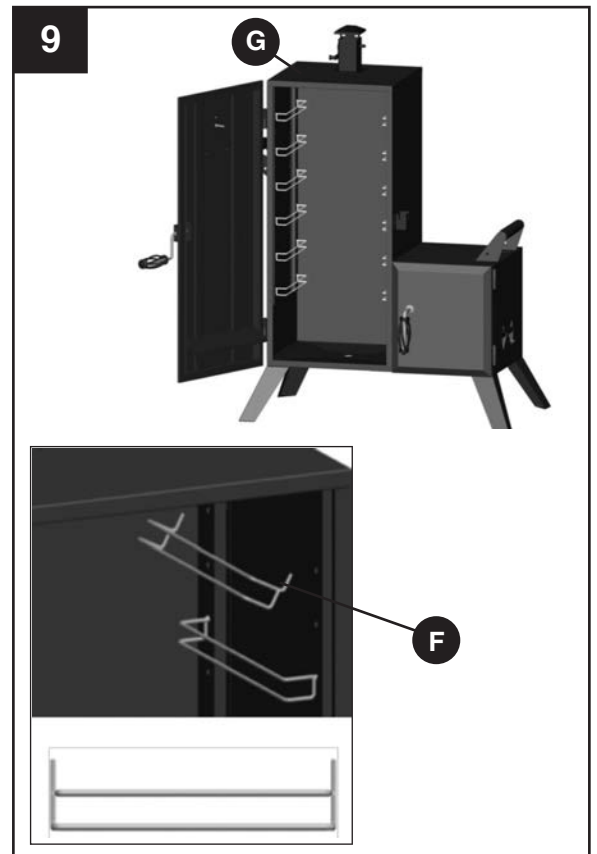
8. Acople la manija para levantar (B) al cuerpo derecho del ahumador (J) utilizando cuatro tornillos M6x12 (AA).



### Aditamentos utilizados

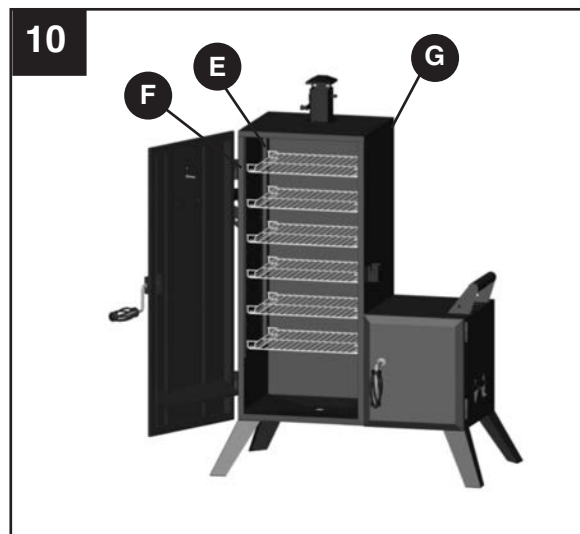
- AA** M6x12  
Tornillo x 4
- 

9. Inserte de abajo hacia arriba los soportes de la parrilla de cocción (F) en los orificios correspondientes en el compartimiento para las repisas al interior del cuerpo del ahumador (G).  
NOTA: Hay 12 posiciones para instalar los soportes de la parrilla de cocción. Los soportes de la parrilla de cocción pueden ser instalados en diferentes posiciones de acuerdo con la necesidad de quien esté cocinando.

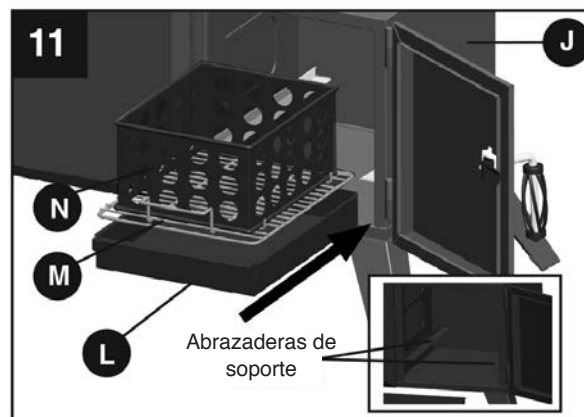


## INSTRUCCIONES DE ENSAMBLAJE

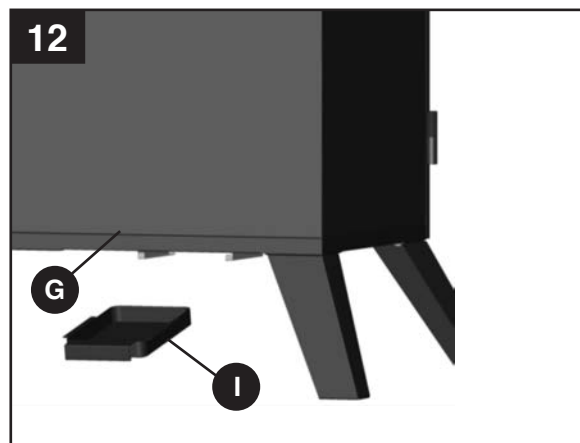
10. Deslice las 6 parrillas de cocción (E) en la parte superior de los soportes de la parrilla de cocción (F) al interior del cuerpo del ahumador (G).



11. Coloque el contenedor de carbón (N) directamente sobre la parrilla de carbón (M) y deslice la parrilla sobre las abrazaderas de soporte localizadas en el interior del cuerpo derecho del ahumador (J). Deslice la bandeja de la ceniza (L) debajo de las abrazaderas de soporte.



12. Deslice la taza para la grasa (I) en el soporte de la misma, ubicado en la parte inferior del cuerpo izquierdo del ahumador (G).



## INSTRUCCIONES DE FUNCIONAMIENTO

---

### ANTES DEL PRIMER USO

Retire todos los colgantes o correas de plástico, si aún los hay.

Antes de cocinar alimentos en su ahumador, es importante "curar" su ahumador. La curación sella la pintura y el interior de su ahumador para mejorar el sabor, la durabilidad y el rendimiento en general. Para curar el ahumador, sólo tiene que utilizarlo como normalmente lo haría; sólo que no cocine ningún alimento. Usted tendrá que cumplir con todos los procedimientos de operación de las siguientes secciones de este manual.

Utilizando sus maderas aromáticas y adobos preferidos, haga combustionar su ahumador a baja temperatura (alrededor de 175 ° F/79.4 ° C) durante 45 - 60 minutos. Deje que el ahumador se enfríe y limpie el madera y la carbón.

Una vez concluido el proceso, el interior de su ahumador tendrá un recubrimiento durable y curado.

### Instrucciones de encendido

**NO UTILICE con este ahumador CARBÓN PRETRATADO, DEL TIPO DE ENCENDIDO INSTANTÁNEO.** Emplee únicamente briquetas estándar, sin tratar, o carbón en trozos, y SOLO utilice líquido de encendido aprobado para encender carbón. Para encender el carbón, no utilice otros líquidos de encendido, disolventes de pintura, gasolina, queroseno, alcohol u otro material inflamable. **El ahumador se puede dañar con el uso de carbón del tipo de encendido instantáneo.**

#### Paso 1

Retire de la caja del ahumador la parrilla y el contenedor de carbón. Coloque la parrilla sobre una superficie de cemento que esté libre de materiales inflamables o combustibles. Coloque el contenedor directamente sobre la parrilla de carbón. Dicho contenedor debe encajar entre las manijas de la parrilla y los soportes elevados de la misma. Consulte las instrucciones de montaje para la colocación adecuada.

#### **Comience con al menos 4 libras. (1,8 kg.) A partir de carbón (75 briquetas estándar)**

Haga los ajustes que sean necesarios cuando esté cocinando en presencia de fuertes vientos o de precipitaciones significativas.

#### Paso 2

Nota: Por favor refiérase a la cantidad de líquido encendedor recomendada por el fabricante de dicho líquido, antes de verter el mismo sobre las briquetas. Con la parrilla y el contenedor de carbón afuera de la cámara de combustión, sature el carbón con la cantidad de líquido encendedor recomendada por el fabricante de dicho líquido. Permita que el líquido empape el carbón por 3 minutos antes de colocar la parrilla y el contenedor de vuelta en la cámara de combustión (para una colocación apropiada del contenedor y de la parrilla, refiérase a las instrucciones de ensamblaje). Después de empapar el carbón, coloque el líquido encendedor en un lugar seguro, lejos del ahumador.

#### Paso 3

Con las **dos puertas abiertas**, aléjese y con mucho cuidado encienda el carbón; permita que arda hasta que esté cubierto con una ceniza ligera (unos 20 minutos aproximadamente). Se debe permitir que el fluido de encendido se quemé completamente antes de cerrar las puertas. (Los vapores tienden a acumularse en la cavidad superior si la puerta está cerrada).

## INSTRUCCIONES DE FUNCIONAMIENTO

---

### Instrucciones de encendido (continuación)

#### Paso 4

Después de 25 - 30 minutos, el carbón debería estar listo para cocinar y / o para la adición de astillas de madera. Cuidadosamente añada trozos de madera utilizando tenazas de cocina largas. Refiérase a la siguiente sección antes de la adición de virutas de madera para carbón pre-encendido.

**⚠ PELIGRO:** El cierre de las puertas de la cámara de combustión durante el proceso de encendido podría atrapar dentro de esta los vapores del líquido encendedor de carbón y producir una llamarada o explosión cuando la puerta se abra; esto puede causar daños a la propiedad, lesiones personales o incluso la muerte. Nunca intente añadir más líquido de encendido sobre el carbón una vez que éste se ha encendido.

### AGREGAR ASTILLAS (ANTES DE , Y DURANTE LA COCCIÓN)

**⚠ ADVERTENCIA:** Tenga precaución ya que puede producirse una llamarada cuando el aire fresco entre repentinamente en contacto con el fuego. Al abrir la puerta, mantenga las manos, la cara y el cuerpo a una distancia prudente del vapor caliente y de las llamaradas.

**Trozos de Madera Pre-empapados.** Empape en agua la cantidad deseada de trozos de madera durante 30 minutos. Envuelva dichos trozos de madera en papel aluminio y abra huecos en la parte superior de dicho embalaje. **SIGA LOS PASOS MÁS ABAJO ANTES DE ADICIONAR LOS TROZOS DE MADERA PRE-EMPAPADOS.**

**Trozos de Madera Secos.** Se pueden colocar trozos de madera secos, sin papel aluminio, directamente sobre el carbón pre-encendido. **SIGA LOS PASOS MÁS ABAJO ANTES DE ADICIONAR LOS TROZOS DE MADERA SECOS.**

La cantidad y el tipo de madera utilizados depende enteramente de la cantidad de sabor deseada.

#### Paso 1

Aléjese y abra con cuidado la puerta de la caja del ahumador, permitiendo que el calor y el vapor se escapen lejos de su cara. Tenga precaución pues puede haber una llamarada cuando el aire fresco entre repentinamente en contacto con el fuego. Inspeccione el nivel de carbón en la bandeja correspondiente.

#### Paso 2

Utilizando guantes/mitones de cocina retardantes de llama, emplee tenazas largas metálicas de cocina para retirar ligeramente las cenizas de los carbones calientes. Utilice las mismas tenazas largas metálicas de cocina para añadir trozos de madera (y/o carbón) al contenedor de carbón, siendo cuidadosos de no agitar las cenizas o las chispas.

**⚠ ADVERTENCIA:** Nunca agregue líquido encendedor de carbón sobre carbones calientes o incluso tibios ya que puede reavivarse la llama y causarle quemaduras graves.

#### Paso 3

Cierre la puerta de la caja del ahumador y deje que la comida se siga cocinando.

Permita que las cenizas se enfríen completamente antes de volver a utilizar o limpiar el ahumador.

## CONSEJOS SOBRE AHUMADO

Ahumar alimentos es distinto a asarlos. En general el ahumado se realiza más despacio y a temperaturas más bajas que el asado. El humo que se produce por la madera se infunde en la carne y le da un sabor ahumado increíble. El proceso de asado es mucho más rápido y a temperaturas más altas.

- Las pequeñas virutas de madera funcionan mejor dentro de la bandeja para astillas de madera.
- Utilice maderas duras secas tales como nogal, pacana, manzano, cerezo o mesquite.
- Para producir más humo y llamas Prevenir rápido, remoje las astillas de madera en un recipiente aparte de agua durante al menos 20 minutos, o envolver las fichas en papel de aluminio perforado.
- La mayoría de aromatizante humo se produce dentro de la primera hora de cocinar. Añadir las virutas de madera en vigor el primer Normalmente hora no es necesario a menos aroma de humo adicional que se desea.

Tipo de madera	Alimentos sugeridos	Comentarios
Manzano	Carnes de todo tipo	Sabor suave y dulce con un leve toque frutal. Cada especie de manzano debe ofrecer un sabor levemente diferente. El humo de manzanos produce un efecto dorado atractivo.
Almendra	Carnes de todo tipo	Ofrece un humo dulce con un sabor avellanado natural.
Cenizas	Pescado y carnes rojas	Sabor muy suave.
Citrus	Cerdo y pollo	La madera de limoneros y naranjos produce un sabor suave y frutal.
Cherry	Cerdo y res	Sabor frutal y suave.
Madera de frutales	Cerdo, aves y pescado	La madera de durazneros, perales y ciruelos produce un humo dulce suave y un leve sabor frutal.
Parra	Aves, game y cordero	La madera de parra produce mucho humo. Con poca cantidad de madera es suficiente. Produce un sabor ácido que tiene un toque frutal.
Nogal americano	Cerdo y res	Podría decirse que la madera de nogal es la favorita para ahumar. El nogal produce un sabor muy fuerte, por lo tanto se recomienda comenzar despacio con esta madera.
Maple	Cerdo y aves	Suave y dulce.
Mesquite	Res, pollo y pescado	Tenga cuidado porque esta madera se calienta mucho al quemarse. Del mismo modo que la madera de nogal, la de mesquite es muy popular y produce un sabor fuerte.
Oak	Carnes rojas, aves de corral, costillar y pescado	Otra madera que produce un humo espeso. Comience despacio con esta madera.
Pacana	Costillar y carnes rojas	Produce un humo suave que ofrece un sabor dulce y avellanado.



# FUMAR Y TEMPERATURAS DE CARNE SUGERENCIAS

## TEMPERATURAS DE AHUMADO SUGERIDAS

Temperaturas fumar ACURATE son críticos para cocinar los alimentos de manera segura cuando las sondas de carne no son disponible. Por favor, comprenda que el uso del medidor de temperatura instalado en fábrica es una aceptable herramienta para ahumar alimentos, pero no siempre es el medio ideal para medir el fumar más precisa la temperatura porque la temperatura interna fumador puede variar entre la cocina superior e inferior rejillas. También hay que tener en cuenta que las sondas utilizadas en la mayoría de los medidores están diseñados para medir la temperatura en la punta de la sonda de temperatura y no la temperatura global del fumador.

Alternativamente, se recomienda que los usuarios o bien comprar una temperatura mercado de accesorios, listos para el horno medir, o un termómetro de carne. Termómetros de carne son la forma más eficaz de determinar cuándo la comida es cocinada a la temperatura mínima requerida para el consumo seguro. Por favor, consulte la tabla siguiente para temperaturas de cocción.

## TEMPERATURAS DE AHUMADO SUGERIDAS

	Temperatures de ahumado sugeridas	Temperaturas Mínimas Recomendadas para los Alimentos
<b>Carne, Aves, Pescado</b>		
<b>Carne de res, ternera y cordero (piezas y cortes completos)</b>		
Medio cruda	225°F (107.2°C)	145°F (63°C)
Término medio	225°F (107.2°C)	160°F (71°C)
Bien asada	225°F (107.2°C)	170°F (77°C)
<b>Cerdo (jamón, lomo de cerdo, costillas)</b>		
Cerdo (piezas y cortes completos)	225 - 240°F (107.2 - 115.6°C)	160°F (71°C)
<b>Carne molida y mezclas de carne (hamburguesas, salchichas, albóndigas, pastel de carne, guisos y carne ablandada mecánicamente)</b>		
Carne de vaca, (incluyendo ablandada mecánicamente) cordero y cerdo	250 - 300°F (121 - 149°C)	160°F (71°C)
Aves (pollo & pavo)	250 - 300°F	165°F (74°C)
<b>Aves (pollo &amp; pavo)</b>		
Piezas	250°F (121°C)	165°F (74°C)
Completo	240°F (115.6°C)	185°F (85°C)
<b>Comida de mar</b>		
Pescado	225 - 240°F (107.2 - 115.6°C)	158°F (70°C)
Mariscos (camarón, langosta, cangrejo, escalopes, almejas, mejillones y ostras)	225 - 240°F (107.2 - 115.6°C)	165°F (74°C)
Puesto que es difícil utilizar un termómetro de alimentos para verificar la temperatura de los mariscos, descarte aquellos que no abran después de cocinados.		

	Temperatures de ahumado sugeridas	Temperaturas Mínimas Recomendadas para los Alimentos
<b>De Caza</b>		
<b>Chuletas, filetes y asados (venado, alces, caribú / reno, antílope y berrendo)</b>		
Bien asada	225°F (107.2°C)	170°F (77°C)
<b>Caza mayor</b>		
Oso bisonte, buey almizclero, morsa, etc	250 - 300°F (121 - 149°C)	165°F (74°C)
<b>Caza menor</b>		
Conejo, rata almizclera, castor, etc	225 - 240°F (107.2 - 115.6°C)	165°F (74°C)
<b>Carne molida</b>		
Carne molida y mezclas de carne	250 - 300°F (121 - 149°C)	165°F (74°C)
Venado molido y salchichas	250 - 300°F (121 - 149°C)	165°F (74°C)
<b>Aves de caza / aves acuáticas (pavo silvestre, pato, ganso, perdiz y faisán)</b>		
Completo	250°F (121°C)	180°F (82°C)
Pechugas y asados	250°F (121°C)	165°F (74°C)
Muslos, alas	250°F (121°C)	165°F (74°C)
Relleno (cocinado solo o dentro de un ave)	250°F (121°C)	165°F (74°C)




## CUIDADO Y MANTENIMIENTO

---

### PRECAUCIONES Y MANTENIMIENTO DESPUÉS DEL USO

#### **ADVERTENCIA**

- Tenga cuidado al levantar o mover el ahumador para evitar lesiones por esfuerzo. Se recomiendan dos personas para levantar o mover el ahumador.
- NO almacene cerca del fumador gasolina u otros líquidos inflamables o combustibles, donde los vapores puedan estar presentes. Mantenga el área alrededor del fumador despejada y libre de materiales combustibles y vapores.
- NO almacene este año en la zona de fumador disponibles para los niños o mascotas. Guarde el ahumador en un lugar seco, protegida de ubicación.
- NO permita que nadie conduite actividades alrededor del ahumador hasta que se haya enfriado Después de su uso. Hace calor y la caída en la operación permanece caliente durante un período de tiempo después de su uso.
- NO deje ceniza caliente sin vigilancia hasta que el ahumador se enfríe completamente.
- El fumador se vuelve extremadamente caliente - permitir que el ahumador se enfríe completamente antes de manipularla. Deje que se enfríe antes de que el fumador Extracción y limpieza de la bandeja para la grasa.
- Deseche las cenizas frías envolviéndolas en papel de aluminio em pesado y poner 'em en un recipiente no combustible.
- Si usted debe tener las cenizas en menos tiempo del que tarda em se enfríe completamente, retire la bandeja de carbón utilizando guantes resistentes al calor y colocar las cenizas en papel de aluminio. Completamente remojar las cenizas con agua antes de deshacerse de ellos en un recipiente no combustible.

 **ATENCIÓN:** Todos los procedimientos de cuidado y mantenimiento se deben realizar mientras la fumador se haya enfriado completamente. Siempre prestar el servicio por un servicio personalizado calificado.

Limpie la parrilla de cocción con agua caliente y jabón. Enjuague y seque bien. Es posible que prefiera para cubrir la rejilla con un poco de aceite de cocina o aceite en aerosol.

Para limpiar el interior y el exterior del gabinete del ahumador, basta con utilizar un paño húmedo. Spray-lavado con una manguera de agua, no se recomienda. Deberes de humedad se secó y no se deja reposar dentro o encima del ahumador. Una vez limpio, puede que prefiera para recubrir ligeramente el interior del gabinete del ahumador con aceite de cocina o aceite en aerosol.

Si hay óxido en la superficie exterior del ahumador, limpie el área con lana de acero o tela esmeril y el uso de alta resistencia, resistente al calor pintura.

NUNCA aplique pintura adicional al interior del fumador. Si hay óxido en el interior del ahumador, limpie a fondo con lana de acero o papel de lija y cubrir ligeramente la superficie con aceite de cocina o aceite en aerosol para ayudar a minimizar el óxido recurrente.

Para proteger su ahumador de las condiciones meteorológicas, siempre mantenerlo cubierto cuando no está en uso.

## **GARANTÍA LIMITADA**

---

Este ahumador vertical de carbón está garantizado contra piezas rotas o dañadas en el momento de la compra. Todas las demás partes tienen un (1) año de garantía limitada, excepto el contenedor de carbón, el cual está garantizado como libre de defectos por 90 días. La pintura está garantizada como libre de defectos por 90 días a excepción del óxido, el cual puede aparecer después de un uso repetido.

Esta garantía no cubre daños o problemas ocasionados por negligencia, abuso o modificaciones al electrodoméstico. Los gastos de reparación no están cubiertos.

Todas las piezas que cumplan con los requisitos de la garantía se enviarán sin cargo por el medio que decida el fabricante (envíos por tierra, correo de EE.UU. o servicios de paquetes postales ÚNICAMENTE). Cualquier otro gasto especial de manipulación (es decir, envíos de dos días, al día siguiente, etc.) será de responsabilidad del cliente.

Todos las reclamaciones de garantía se aplican sólo al comprador original y requieren un comprobante de compra para verificar la fecha de la misma. No devuelva piezas sin antes obtener un número de autorización para la devolución de nuestro Servicio al Cliente. Este servicio está disponible llamando gratis al 1-877-447-4768, de 8:30 am - 4:30 pm, hora central, de lunes - viernes.

AVISO: Algunos estados no permiten la exclusión o limitación de daños accidentales o resultantes, o limitaciones en cuanto al período de duración de una garantía, de modo que las limitaciones o exclusiones anteriores pueden no aplicarse a usted. Esta garantía le otorga derechos legales específicos, pero podría tener también otros derechos legales que varían según el estado.

GHP Group Inc.  
6444 W. Howard Street  
Niles, IL, USA  
60714-3302

Nombre del artículo: Ahumador Vertical de Carbón  
Modelo #: DGO1176BDC-D

## LISTA DE PIEZAS DE REPUESTO

Para obtener piezas de repuesto, llame a nuestro Departamento de Servicio al Cliente al 1-877-447-4768, de 8:30 am - 4:30 pm, hora central, de lunes - viernes.

REF.	DESCRIPCIÓN	PIEZA #
1	Chimenea cuadrada	312-02009-00
2	Cuerpo izquierdo	313-12001-00
3	Manija para levantar	301-01010-00
4	Medidor de temperatura	211-02005
5	Placa del logo-Dyna-Glo*	211-02002
6	Parrilla de cocción	312-01014-00
7	Puerta derecha	313-02202-01
8	Manivela de la puerta	302-02007-02
9	Mango de la puerta*	302-02007-01
10	Amortiguador placa lateral*	301-01001-04
11	Pata - estándar	301-01016-00
12	Taza para la grasa	313-12002-01

REF.	DESCRIPCIÓN	PIEZA #
13	Cuerpo derecho ahumador	313-12001-01
14	Puerta izquierda	313-02202-00
15	Mango la puerta derecha*	403-02003-05
16	Manivela la puerta derecha*	313-02202-03
17	Arandela manija derecha	313-02202-04
18	Seguro puerta derecha	313-02202-05
19	Carbón y bandeja madera	301-01028-00
20	Soporte de seguro puerta	302-01008-00
21	Cooking quemadores	302-01030-00
22	Parrilla de carbón	314-00001-01
23	Cámara carbón	314-00001-02

\*Hardware Incluido

