

This Owner's Manual is provided and hosted by [Appliance Factory Parts](#).



DYNA-GLO DGSS681VCS-1 Owner's Manual

[Shop genuine replacement parts for DYNA-GLO
DGSS681VCS-1](#)



[Find Your DYNA-GLO Grill Parts - Select From 227 Models](#)

----- Manual continues below -----

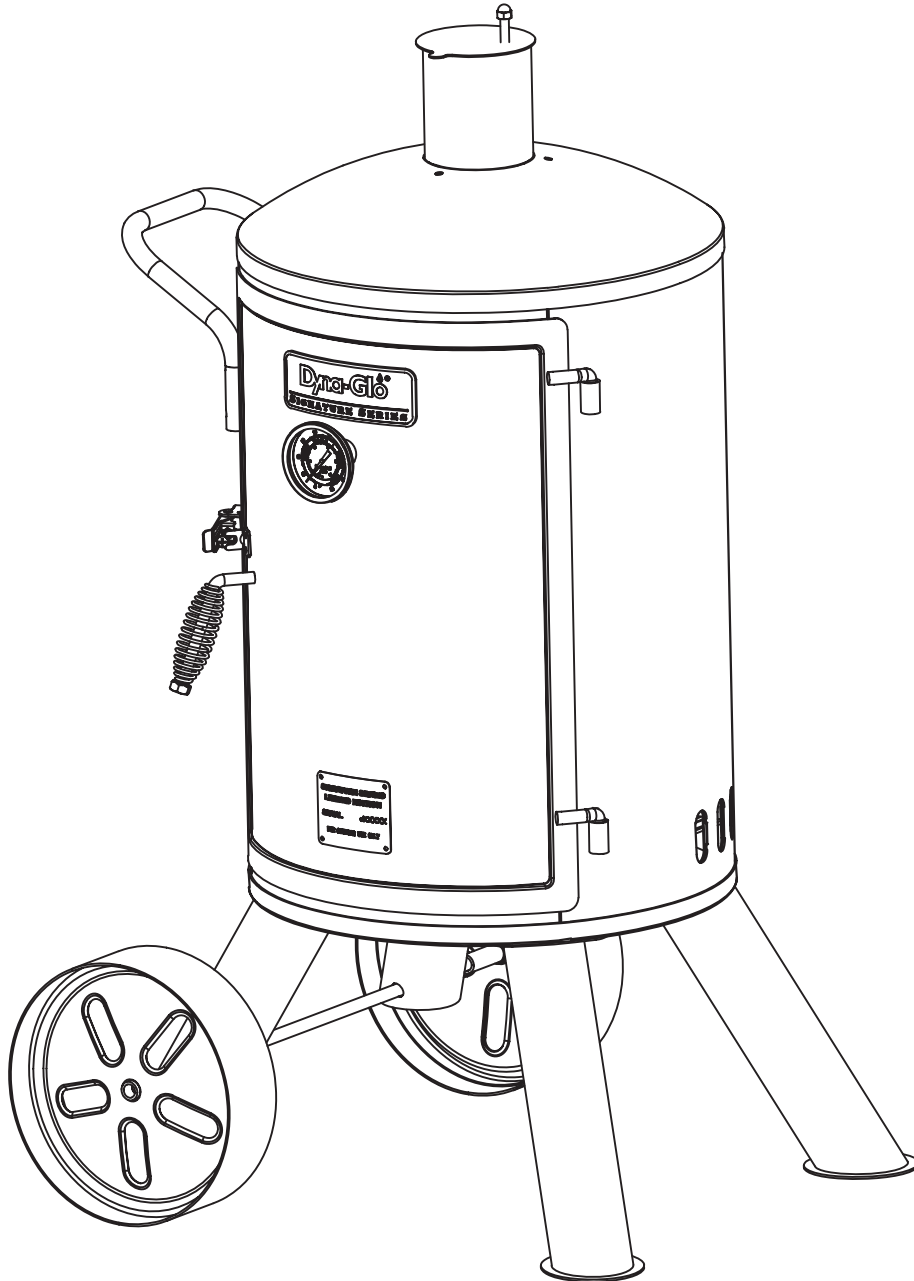


Vertical Charcoal Smoker

MODEL #DGSS681VCS / DGSS681VCS-D

Français p. 19

Español p. 37



ATTACH YOUR RECEIPT HERE

Serial Number _____ Purchase Date _____




Questions, problems, missing parts? Before returning to your retailer, call our customer service department at 1-877-447-4768, 8:30 a.m. – 4:30 p.m. CST, Monday – Friday or log on to customerservice@ghpgroupinc.com.

TABLE OF CONTENTS

Safety Information	2
Package Contents	4
Hardware Contents	5
Preparation	5
Assembly Instructions	6
Operation Instructions	12
Tips On Smoking	14
Care and Maintenance	16
Warranty	17
Replacement Parts List	18

SAFETY INFORMATION

Please read and understand this entire manual before attempting to assemble, operate or install the product. If you have any questions regarding the product, call our customer service department at 1-877-447-4768, 8:30 a.m.- 4:30 p.m. CST, Monday - Friday or log on to customerservice@ghpgroupinc.com.

 Use caution when lifting and moving the unit to avoid back strain or back injury. Do not move the unit while it is in use.

- **DO NOT** operate the unit near or under flammable or combustible materials such as decks, porches or carports.
- A minimum clearance to combustible construction is 36 in. (91 cm) from sides and back.
- **DO NOT** operate the unit under overhead construction.
- **DO NOT** use this appliance as a heater.
- Operate the unit on a stable, level, non-flammable surface such as asphalt, concrete or solid ground.
- **DO NOT** operate the unit on flammable material such as carpet or wood deck.
- Use caution when assembling and operating this unit to avoid cuts and scrapes from edges.

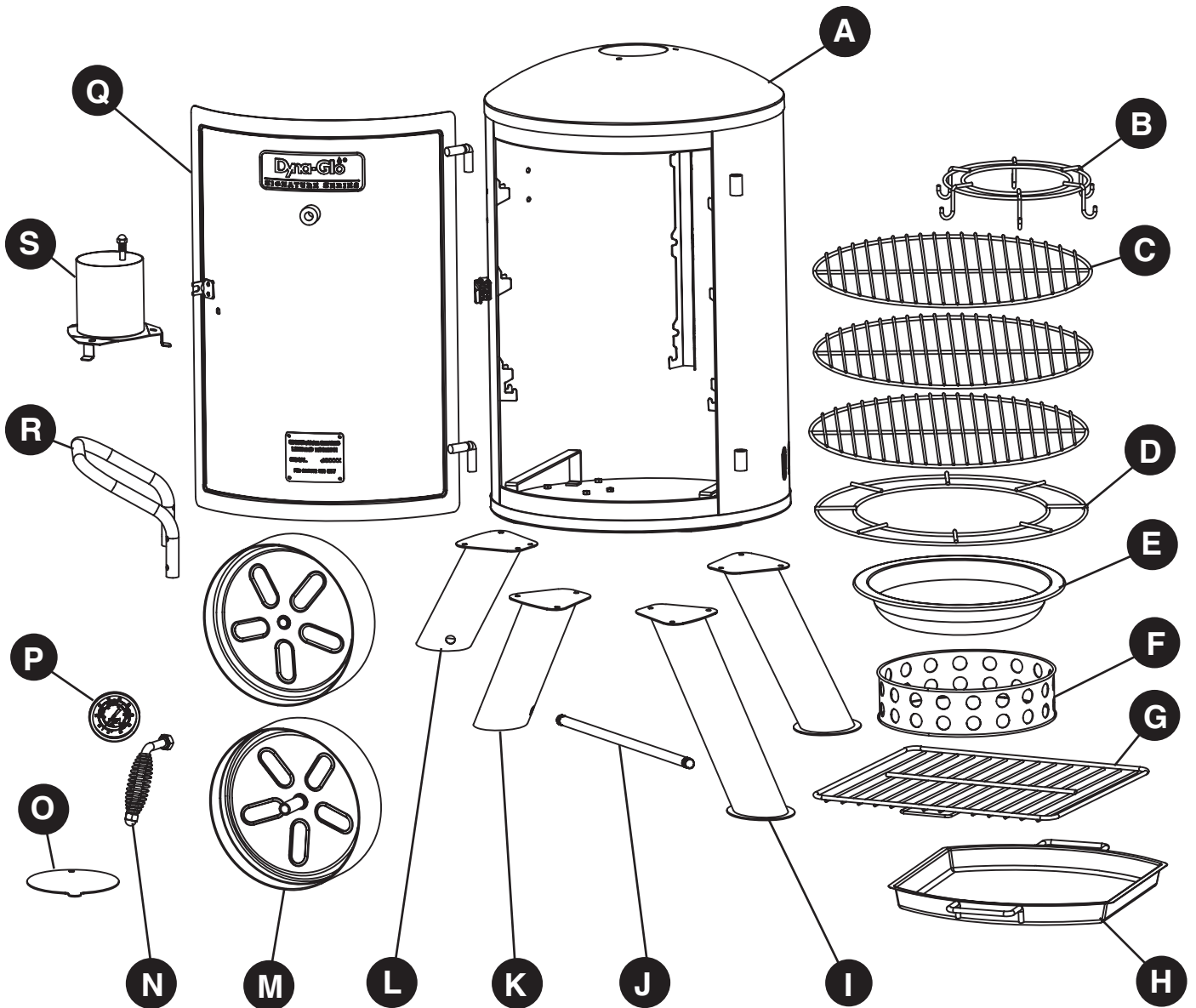
SAFETY INFORMATION

- **DO NOT** use this product in a manner other than its intended purpose. It is NOT intended for commercial use. It is not intended to be installed or used in or on a recreational vehicle and/or boats.
- **DO NOT** store this unit near gasoline or other combustible liquids or where other combustible vapors may be present.
- **DO NOT** use or store or operate this product in an area accessible to children or pets. Store this unit in a dry protected location.
- **DO NOT** leave the unit unattended while in use.
- **DO NOT** leave hot ashes unattended until the smoker cools completely.
- **DO NOT** move the unit while in use or while ashes are still hot. Allow the unit to cool completely before moving or storing.
- **NEVER** use gasoline, kerosene, Zippo/Ronson lighter fluid or other highly volatile fluids as a starter.
- Always cook your food on the grate after the flame is burned out.
- Dispose of cold ashes by wrapping them in heavy-duty aluminum foil and placing in a noncombustible container. Make sure that there are no other combustible materials in or near the container.
- If you must dispose of ashes in less time than it takes for the ashes to completely cool down, then remove the ashes from the unit, using heat-resistant gloves along with long metal tongs or fireplace shovel. Place the coals in aluminum foil and soak them completely with water before disposing of them in a noncombustible container.
- Allow the unit to cool completely before conducting any routine cleaning or maintenance.
- This appliance will be hot during and after use. Use insulated oven mitts or gloves for protection from hot surfaces or splatter from cooking liquids.
- Use caution when opening the door of the smoker while in operation. Keep hands, face and body safe from hot steam or flare-ups. **DO NOT** inhale smoke.
- **DO NOT** wear loose clothing while operating the smoker. Tie back long hair while operating the smoker.
- **ALWAYS** wear shoes that fully cover your feet while operating the smoker.
- **NEVER** use glassware, plastic or ceramic cookware on or in your smoker. Use metallic cookware only.
- When using flavoring wood, add a sufficient amount prior to operation to avoid having to add wood while operating.
- Use of accessories not intended for this smoker is not recommended and may lead to injury or property damage.
- Read and follow all warnings and instructions before assembling and using the appliance.
- Follow all warnings and instructions when using the appliance.

CALIFORNIA PROPOSITION 65

Fuels used in wood and charcoal burning appliances and the products of combustion of such fuels contain chemicals known to the State of California to cause cancer, birth defects or other reproductive harm. This product contains chemicals, including lead and lead compounds, known to the State of California to cause cancer, birth defects or other reproductive harm. ***Wash hands after handling.***









PACKAGE CONTENTS



PART	DESCRIPTION	QUANTITY
A	Smoke body	1
B	Sausage hooks	1
C	Cooking grate	3
D	Water bowl support	1
E	Water bowl	1
F	Charcoal chamber	1
G	Charcoal grate	1
H	Ash pan	1
I	Leg - right front / right rear	2
J	Wheel axle	1

PART	DESCRIPTION	QUANTITY
K	Leg - left front	1
L	Leg - left rear	1
M	Wheel - left/right	2
N	Door handle assembly	1
O	Smoke stack damper	1
P	Temp. gauge with nut	1
Q	Door assembly	1
R	Side handle	1
S	Smoke stack	1

HARDWARE CONTENTS

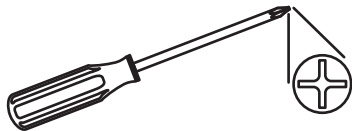
			
			
M6 x 12 Bolt	M6 x 30 Bolt	M6 Nut	M12 Nut
Qty. 16	Qty. 4	Qty. 4	Qty. 2

PREPARATION

Before beginning assembly of product, make sure all parts are present. Compare parts with package contents list and hardware contents above. If any part is missing or damaged, do not attempt to assemble the product. Contact customer service for replacement parts.

Estimated Assembly Time: 20 minutes



Tools Required for Assembly (not included): Phillips Screwdriver, Adjustable Wrench

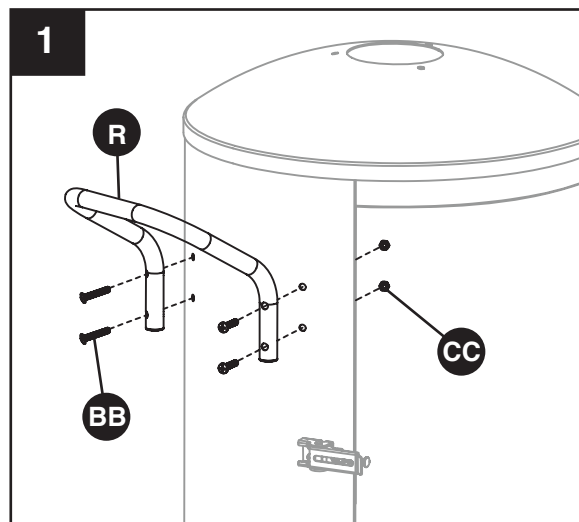


ASSEMBLY INSTRUCTIONS

1. With door open, attach the side handle (R) using four M6 x 30 bolts (BB) and four M6 nuts (CC).

Hardware Used

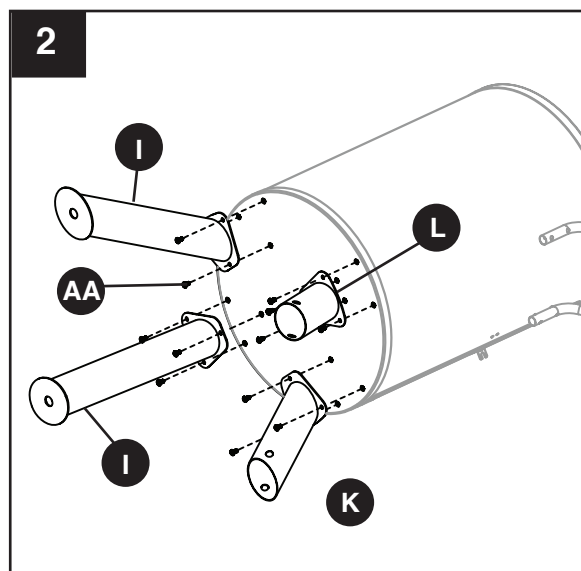
BB	M6 x 30mm Bolt		x 4
CC	M6 Nut		x 4



2. Attach left rear leg (L) with four M6 x 12 bolts. Attach left front leg (K), right front leg (I) and right rear leg (I) with three M6 x 12 bolts per leg.

Hardware Used


AA	M6 x 12mm Bolt		x 13
-----------	----------------	---	------

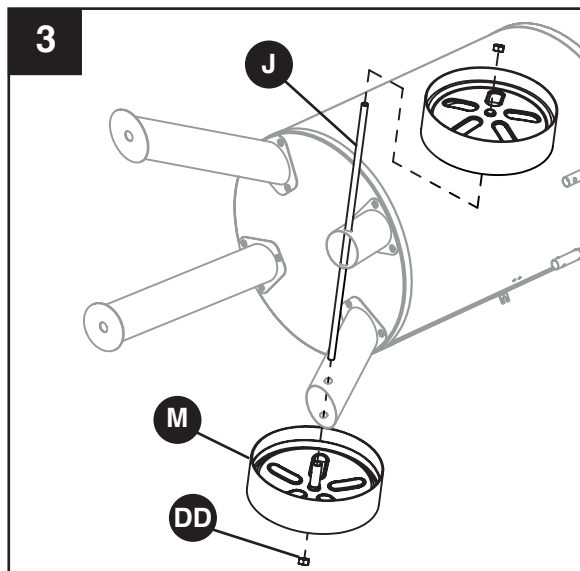


ASSEMBLY INSTRUCTIONS

3. Attach the wheels (M) by inserting the axle (J) through the leg assembly and securing with two M12 nuts (DD).


Hardware Used

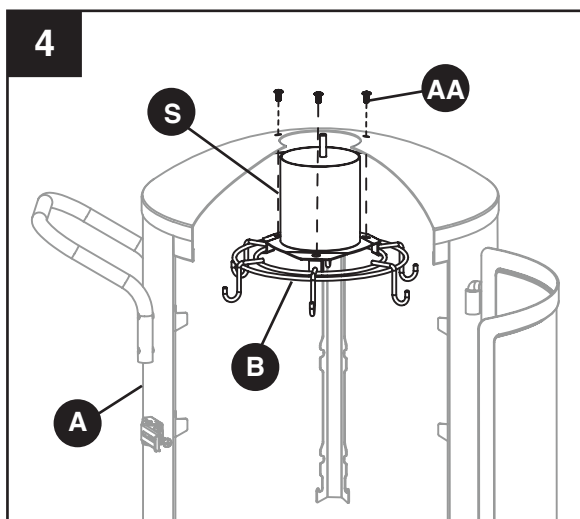
DD M12 Nut  x 2



4. **CAUTION: This unit is HEAVY! Do not attempt to stand the smoker upright without assistance!** Rest the inner ring of the sausage hooks (B) on the bottom brackets of the smoke stack (S). Insert the smoke stack (S) up through the opening at the top of the smoker body (A) and secure with three M6x12 bolts (AA).

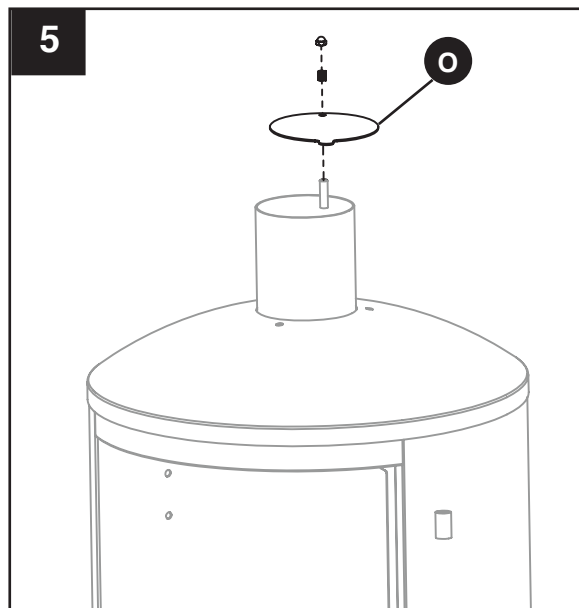
Hardware Used

AA M6 x 12mm Bolt  x 3

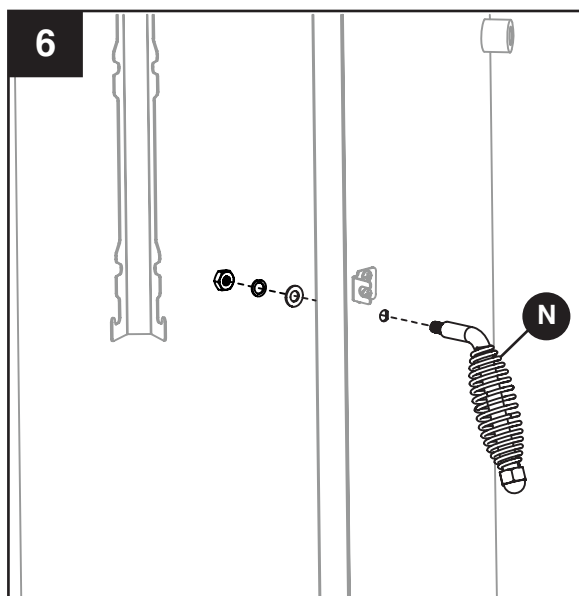


ASSEMBLY INSTRUCTIONS

5. Attach the smoke stack damper (O) using the pre-installed spring and nut.

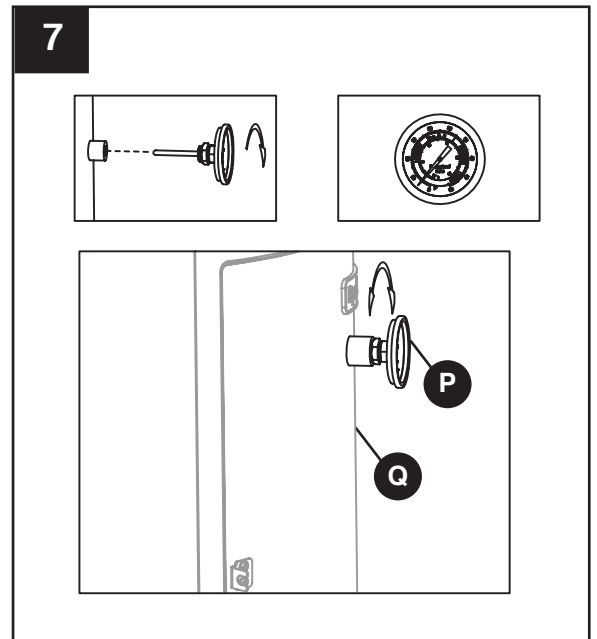


6. Attach the door handle assembly (N) using pre-installed flat washer & spring washer & nut.

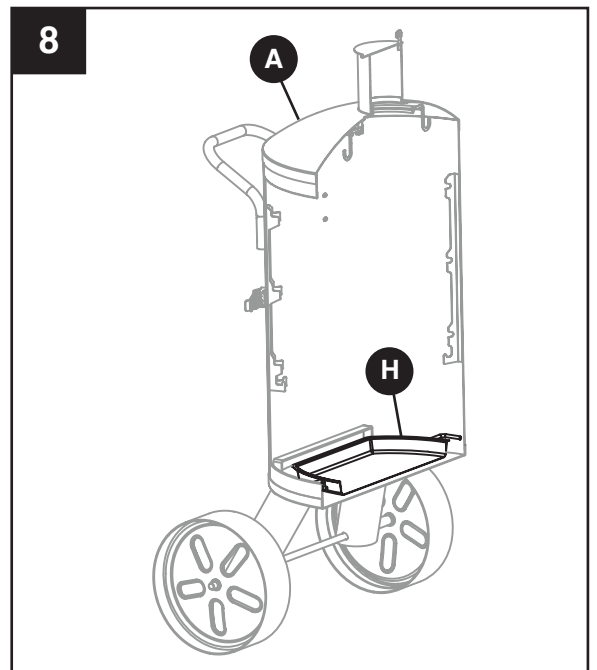


ASSEMBLY INSTRUCTIONS

7. Attach the temperature gauge (P) by inserting the probe through the threaded opening on the door assembly (Q) and turning clockwise. Do not remove the preinstalled nut, prior to attaching. **NOTE:** The alignment of the temperature gauge can be adjusted by turning the pre-installed nut clockwise (or counter-clockwise) prior to installing.

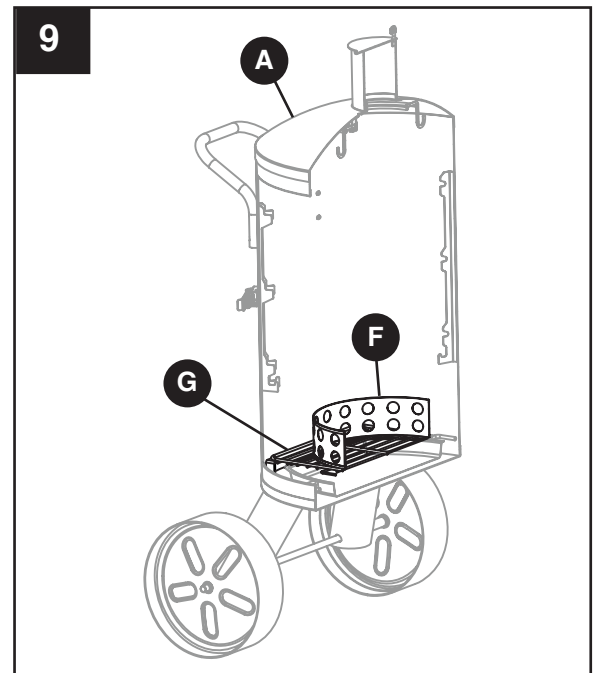


8. Place the ash pan (H) inside the smoker body (A) as shown.

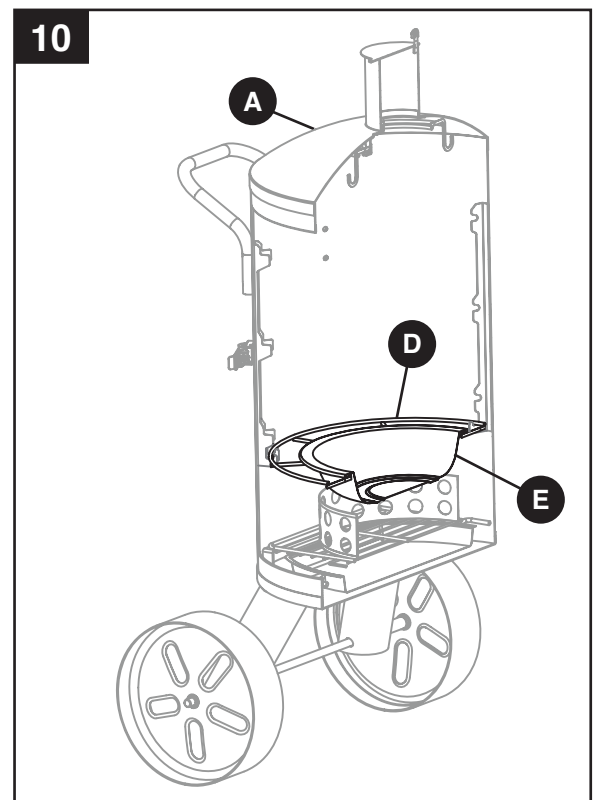


ASSEMBLY INSTRUCTIONS

9. Place the charcoal grate (G) on the support rails inside the smoker body (A). Place the charcoal chamber (F) directly onto the charcoal grate (G).



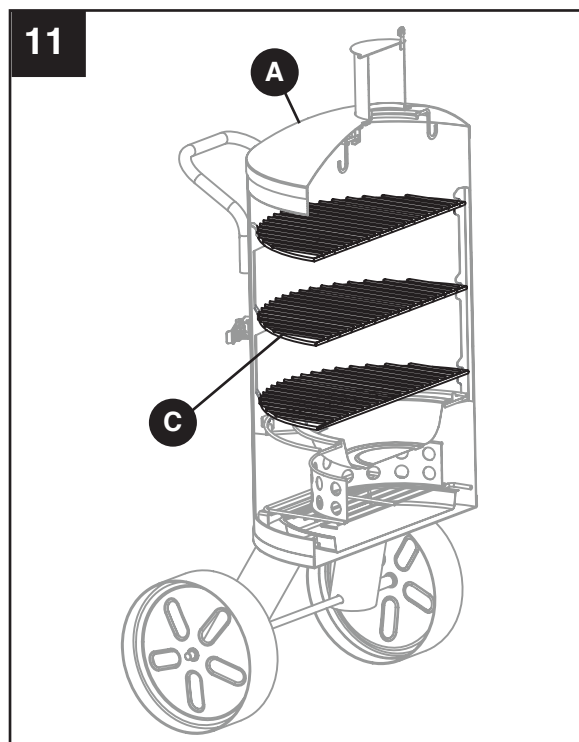
10. Place the water bowl support (D) on the bottom bracket inside the smoker body (A) as shown. Place the water bowl (E) on the water bowl support (D).



ASSEMBLY INSTRUCTIONS

11. Place the cooking grates (C) on the brackets inside of the smoker body (A) as shown.

Tip: Place all 3 cooking grates (C) inside the smoker body (A) and start from bottom grate supports.



OPERATING INSTRUCTIONS

BEFORE FIRST USE

Remove all hangings or plastic straps, if present.

Before you cook food in your smoker, it is important to “season” your smoker. Seasoning seals the paint and interior of your smoker to enhance flavoring, durability and overall performance. To season your smoker follow all of the operating procedures in the next few sections of this manual; but, do not place food inside the smoker during the seasoning process.

Using your desired flavoring woods and marinades, burn your smoker at low temperature (around 175°F/79.4°C) for 45 – 60 minutes. Let the smoker cool and clean out the wood chips and charcoal.

Once seasoning is complete, your smoker’s interior will have a durable, seasoned coating.

Lighting Instructions

DO NOT USE PRETREATED, MATCH-LIGHT CHARCOAL with this smoker. Only use standard, untreated briquettes or lump charcoal and **ONLY** use charcoal lighting fluid approved for lighting charcoal. Do not use lighter fluid, paint thinners, gasoline, kerosene, alcohol or other flammable material for lighting charcoal. **Damage to the smoker may occur with the use of match-light charcoal.**

Step 1

Remove the charcoal grate and chamber from the smoker box. Place the grate on a cement surface that is clear from flammable or combustible materials. Place the chamber directly onto the charcoal grate. Refer to the assembly instructions for proper placement.

Start with at least 2 lbs. (0.91 kgs.) of charcoal (40 standard briquettes).

Make adjustments as needed when cooking in colder climates or during high winds, and/or when fair amounts of precipitation are present.

Step 2

Note: Please refer to the manufacturer’s recommended amount of charcoal lighting fluid before applying fluid to the briquettes. With the charcoal grate and chamber outside the firebox, saturate charcoal with the amount of charcoal lighting fluid as recommended by the charcoal lighting fluid manufacturer. Allow the fluid to soak into the charcoal for 3 minutes before placing the grate and chamber back into the firebox (refer to assembly instructions for proper chamber and grate placement). After soaking the charcoal, place the charcoal lighting fluid at a safe distance away from the smoker.

Step 3

With **the smoker door open**, stand back and carefully light charcoal and allow to burn until covered with a light ash (approximately 20 minutes). Charcoal lighting fluid must be allowed to completely burn off prior to closing the doors. (Fumes will tend to collect, in the smoker body, if the door is closed).

OPERATING INSTRUCTIONS

Lighting Instructions (Continued)

Step 4

After 20-25 minutes, charcoal should be ready for cooking and/or adding woodchips. Refer to the next section before adding wood chips to pre-lit charcoal.

⚠ DANGER: Closing the firebox during the lighting procedure could trap fumes from the charcoal lighting fluid in the smoker box and may result in a flash-fire or explosion when door is opened, resulting in property loss, personal injury or death. Never attempt to add more charcoal lighting fluid to the charcoal once it has been lit.

ADDING WOOD CHIPS (BEFORE AND DURING COOKING)

⚠ WARNING: Use caution since flames can flare-up when fresh air suddenly comes in contact with fire. When opening the door, keep hands, face and body a safe distance from hot steam and flame flare-ups.

Presoaked Wood Chips

Soak the desired amount of chips in water for 30 minutes. Wrap the wood chips in aluminum foil and poke holes on the top of the foil wrapping. **FOLLOW THE STEPS BELOW BEFORE ADDING PRESOAKED WOOD CHIPS.**

Dry Wood Chips

Dry wood chips can be placed directly onto the pre-lit charcoal, with or without aluminum foil. **FOLLOW THE STEPS BELOW BEFORE ADDING DRY WOOD CHIPS.**

The amount and type of wood used is entirely dependent on the desired amount of flavor.

Step 1

Stand back and carefully open the smoker door to allow heat and steam to escape away from your face. Use caution since flames can flare-up when fresh air suddenly comes in contact with fire. Inspect the charcoal level in pan.

Step 2

Wearing flame resistant oven mitts/gloves, use long metal cooking tongs to lightly brush aside ashes on hot coals. Use the long metal cooking tongs to add wood chips (and/or charcoal) to charcoal chamber. Be careful not to stir-up ashes and sparks.

⚠ WARNING: Never add charcoal lighting fluid to hot or even warm coals as flashback may occur causing severe burns.

Step 3

Close smoker door and allow food to continue cooking.

Allow the ashes to completely cool before reusing or cleaning the smoker.

TIPS ON SMOKING

Pairing wood chips with a specific type of food will depend on the preferences of the user. This page can be used as a general guideline for acquiring the ideal flavor.

- Hardwoods such as hickory, pecan, apple, cherry or mesquite typically burn slower and produce more smoke over longer periods of time.
- To prolong the burn cycle for wood chips, pre-soak them in a separate bowl of water for at least 30 minutes, and/or wrap the chips in perforated aluminum foil.
- Most smoke flavoring occurs within the first hour of cooking. **Adding wood chips after the first hour is typically not necessary unless extra smoke flavoring is desired.**

Here's a list of the most popular smoking woods and a little information about each.

Type of Wood	Suggested Food	Comments
Apple	All meats	Mild and sweet flavor with a slight hint of fruity flavor. Each species of Apple wood should offer a slightly different flavor. Apple smoke produces an attractive browning effect.
Almond	All meats	Produces a sweet smoke with a natural nutty flavor.
Ash	Fish and red meat	Very light flavor.
Citrus	Pork and chicken	Lemon and orange wood produce light but fruity flavor.
Cherry	Pork and beef	Light and fruity flavor.
Fruitwood	Pork, poultry and fish	Wood such as Peach, Pear and Plum produce a mild but sweet smoke with a hint of fruity flavor.
Grapevine	Poultry, game and lamb	Grapevine wood produces a lot of smoke. A little wood goes a long way. It produces a tart flavor that has a hint of fruit.
Hickory	Pork and beef	Hickory is arguably the favorite wood for smoking. Hickory produces a very strong flavor so we recommend starting slow with this wood.
Maple	Pork and poultry	Light and sweet.
Mesquite	Beef, chicken and fish	This wood burns very hot so be aware. Much like Hickory, Mesquite is very popular and produces a strong flavor.
Oak	Red meats, game, ribs and fish	Another wood that produces a heavy smoke. Start slow with this wood.
Pecan	Ribs and red meat	Produces a light smoke that offers a sweet and nutty flavor.

SUGGESTED SMOKING AND MEAT TEMPERATURES

Smoking Temperatures

Accurate smoking temperatures are critical for safely cooking food when meat probes are not available. Please understand that using the factory installed temperature gauge is an acceptable tool for smoking food; but it's not always the ideal means of measuring the most accurate smoking temperature because internal smoker temperatures can vary between the top and bottom cooking grates. Also keep in mind that the probes used on most gauges are designed to measure the temperature at the tip of the temperature probe and not the overall temperature of the smoker.

Alternatively, it is recommended that users either purchase an aftermarket, oven-ready temperature gauge, or a meat thermometer. Meat thermometers are the most effective way of determining when the food is cooked to the minimum temperature required for safe consumption.

Please refer to the chart below for cooking temps.

SUGGESTED SMOKING TEMPERATURES

	Suggested Smoking Temperatures	Safe Minimum Food Temperatures
Meat, Poultry, Fish		
Beef, veal and lamb (pieces and whole cuts)		
Medium-rare	225°F (107.2°C)	145°F (63°C)
Medium	225°F (107.2°C)	160°F (71°C)
Well done	225°F (107.2°C)	170°F (77°C)
Pork (ham, pork loin, ribs)		
Pork (pieces and whole cuts)	225 - 240°F (107.2 - 115.6°C)	160°F (71°C)
Ground meat and meat mixtures (burgers, sausages, meatballs, meatloaf, casseroles and mechanically tenderized beef)		
Beef, veal (including mechanically tenderized), lamb and pork	250 - 300°F (121 - 149°C)	160°F (71°C)
Poultry (chicken & turkey)	250 - 300°F	165°F (74°C)
Poultry (chicken, turkey, duck)		
Pieces	250°F (121°C)	165°F (74°C)
Whole	240°F (115.6°C)	185°F (85°C)
Seafood		
Fish	225 - 240°F (107.2 - 115.6°C)	158°F (70°C)
Shellfish (shrimp, lobster, crab, scallops, clams, mussels and oysters)	225 - 240°F (107.2 - 115.6°C)	165°F (74°C)
Since it is difficult to use a food thermometer to check the temperature of shellfish, discard any that do not open when cooked.		


	Suggested Smoking Temperatures	Safe Minimum Food Temperatures
Game		
Chops, steaks and roasts (deer, elk, moose, caribou/reindeer, antelope and pronghorn)		
Well done	225°F (107.2°C)	170°F (77°C)
Large Game		
Bear, bison, musk ox walrus, etc.	250 - 300°F (121 - 149°C)	165°F (74°C)
Small game		
Rabbit, muskrat, beaver, etc.	225 - 240°F (107.2 - 115.6°C)	165°F (74°C)
Ground Meat		
Ground meat and meat mixtures	250 - 300°F (121 - 149°C)	165°F (74°C)
Ground venison and sausage	250 - 300°F (121 - 149°C)	165°F (74°C)
Game birds/waterfowl (wild turkey, duck, goose, partridge and pheasant)		
Whole	250°F (121°C)	180°F (82°C)
Breasts and roasts	250°F (121°C)	165°F (74°C)
Thighs, wings	250°F (121°C)	165°F (74°C)
Stuffing (cooked alone or in a bird)	250°F (121°C)	165°F (74°C)

CARE AND MAINTENANCE

AFTER USE SAFETY AND MAINTENANCE

WARNING

- Use caution when lifting and moving the smoker to avoid strain injuries. Two people are recommended to lift or move the smoker.
- **DO NOT** store the smoker near gasoline or other combustible liquids or where combustible vapors may be present. Keep the area around the smoker clear and free of combustible materials and vapors.
- **DO NOT** store this smoker in an area accessible to children or pets. Store the smoker in a dry, protected location.
- **DO NOT** allow anyone to conduct activities around the smoker, following use, until it has cooled. It is hot during operation, and remains hot for a period of time following use.
- **DO NOT** leave hot ashes unattended, until the smoker cools completely.
- The smoker becomes extremely hot, so allow the smoker to cool completely before handling. Allow the smoker to cool before removing and cleaning the grease pan.
- Dispose of cold ashes by wrapping them in heavy-duty aluminum foil and putting them in a noncombustible container.
- If you must dispose of the ashes in less time than it takes for them to completely cool, remove the charcoal tray using heat-resistant gloves and place the ashes in aluminum foil. Completely soak the ashes with water before disposing of them in a noncombustible container.

 **CAUTION:** All care and maintenance procedures are to be performed while the smoker is completely cooled.

Clean the cooking grates with hot, soapy water. Rinse and dry thoroughly. You may prefer to coat the cooking grates lightly with cooking oil or cooking spray.

To clean the inside and outside of the smoker cabinet, simply use a damp cloth. Spray-washing with a water hose is not recommended. Moisture should be wiped away and not allowed to stand inside or on top of the smoker. Once cleaned, you may prefer to lightly coat the interior of the smoker cabinet with cooking oil or cooking spray.

If rust is present on the exterior surface of the smoker, clean the area with steel wool or emery cloth and use heavy-duty, heat-resistant paint.

NEVER apply additional paint to the interior of the smoker. If rust is present on the interior of the smoker, clean it thoroughly with steel wool or emery cloth and lightly coat the area with cooking oil or cooking spray to help minimize recurring rust.

To protect your smoker from weather conditions, always keep it covered while not in use.

WARRANTY

This vertical charcoal smoker is warranted against broken or damaged parts at the time of purchase. All other parts carry a one (1) year limited warranty except the charcoal chamber, which is warranted to be free of defects for 90 days. Paint is warranted to be free of defects for 90 days except for rust, which may appear after repeated use.

This warranty does not cover damage or issues related to neglect, abuse or modifications to the appliance. Repair labor is not covered.

All parts that meet the warranty requirements will be shipped at no charge via the discretion of GHP Group Inc. (ground shipments, US Mail or Parcel Post ONLY). Any special handling charges (i.e. Second Day, Overnight, etc.) will be the responsibility of the consumer.

All warranty claims apply only to the original purchaser and require a proof of purchase verifying purchase date. Do not return parts to GHP address without first obtaining a return authorization number from our customer service. This service is available by calling toll free 1-877-447-4768, 8:30 a.m. - 4:30 p.m. CST, Monday - Friday.

Some states do not allow the exclusion or limitation of incidental or consequential damages or limitations on how long an implied warranty lasts, so the above limitations or exclusions may not apply to you. This warranty gives you specific legal rights, and you may have other rights that vary from state to state.

GHP Group Inc.
6440 W. Howard Street
Niles, IL, USA
60714-3302

Item name: Vertical Charcoal Smoker
Model #: DGSS681VCS / DGSS681VCS-D

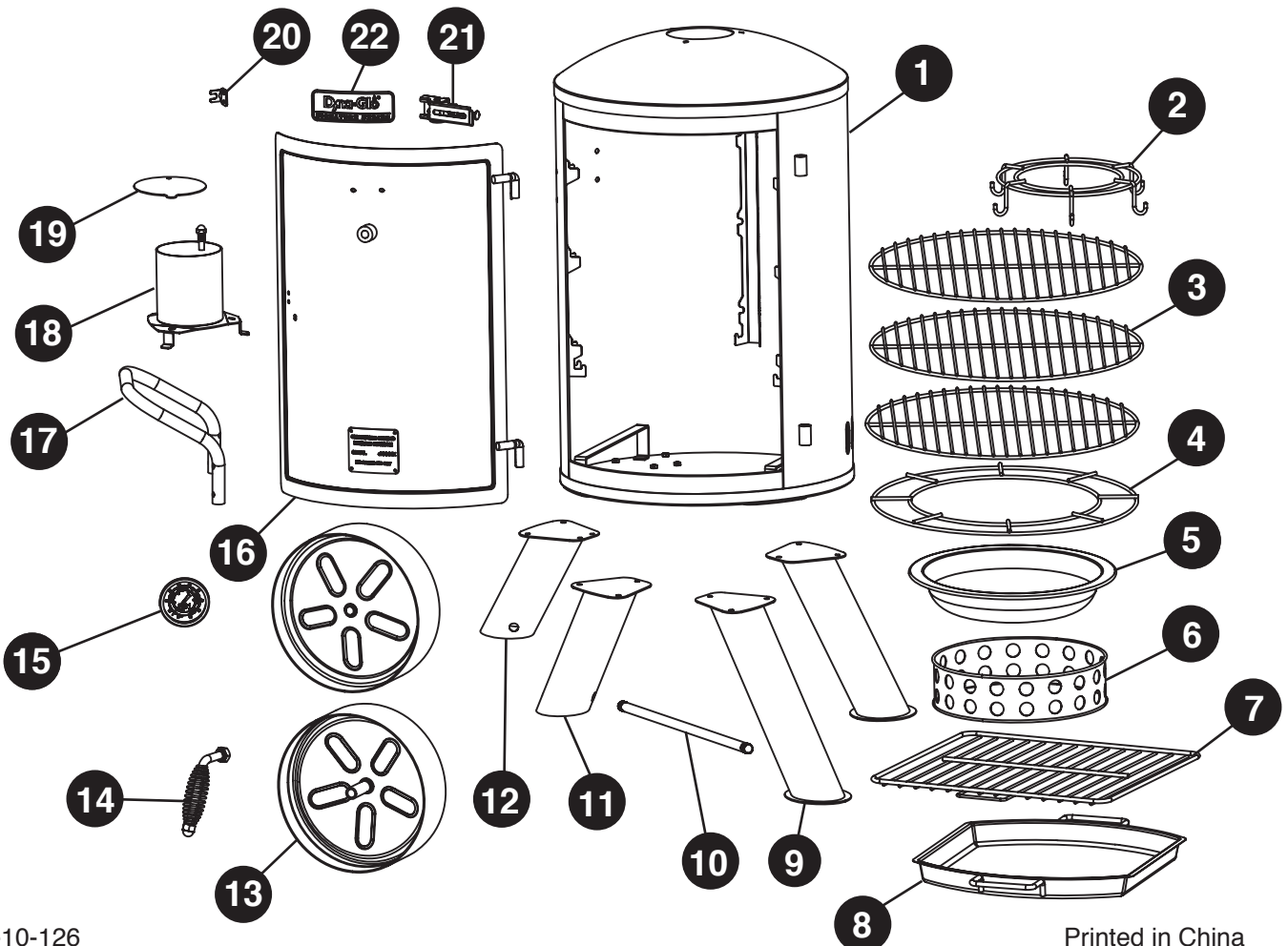
REPLACEMENT PARTS LIST

For replacement parts, call our customer service department at 1-877-447-4768, 8:30 a.m. - 4:30 p.m. CST, Monday - Friday or log on to customerservice@ghpgroupinc.com.

PART	DESCRIPTION	PART #
1	Smoker body (without door assembly, door latch, smoke stack or side handle)	70-01-504
2	Sausage hooks	70-01-505
3	Cooking grate	70-01-506
4	Water bowl support	70-01-507
5	Water bowl	70-01-508
6	Charcoal chamber	70-01-509
7	Charcoal grate	70-01-510
8	Ash pan	70-01-511
9	Leg - right front / right rear	70-01-512
10	Wheel axle	70-01-567
11	Leg - left front	70-01-514
12	Leg - left rear	70-01-515

PART	DESCRIPTION	PART #
13	Wheel - left / right	70-01-516
14	Door handle assembly*	70-01-517
15	Temperature gauge*	70-01-518
16	Door (without badge, temp gauge, latch bracket, and handle)	70-01-519
17	Side handle	70-01-520
18	Smoke stack*	70-01-521
19	Smoke stack damper plate	70-01-522
20	Door latch bracket	70-01-523
21	Door latch	70-01-524
22	Dyno Glo badge*	70-01-525
n/a	Hardware pack	70-09-513
n/a	Instruction manual	70-10-126

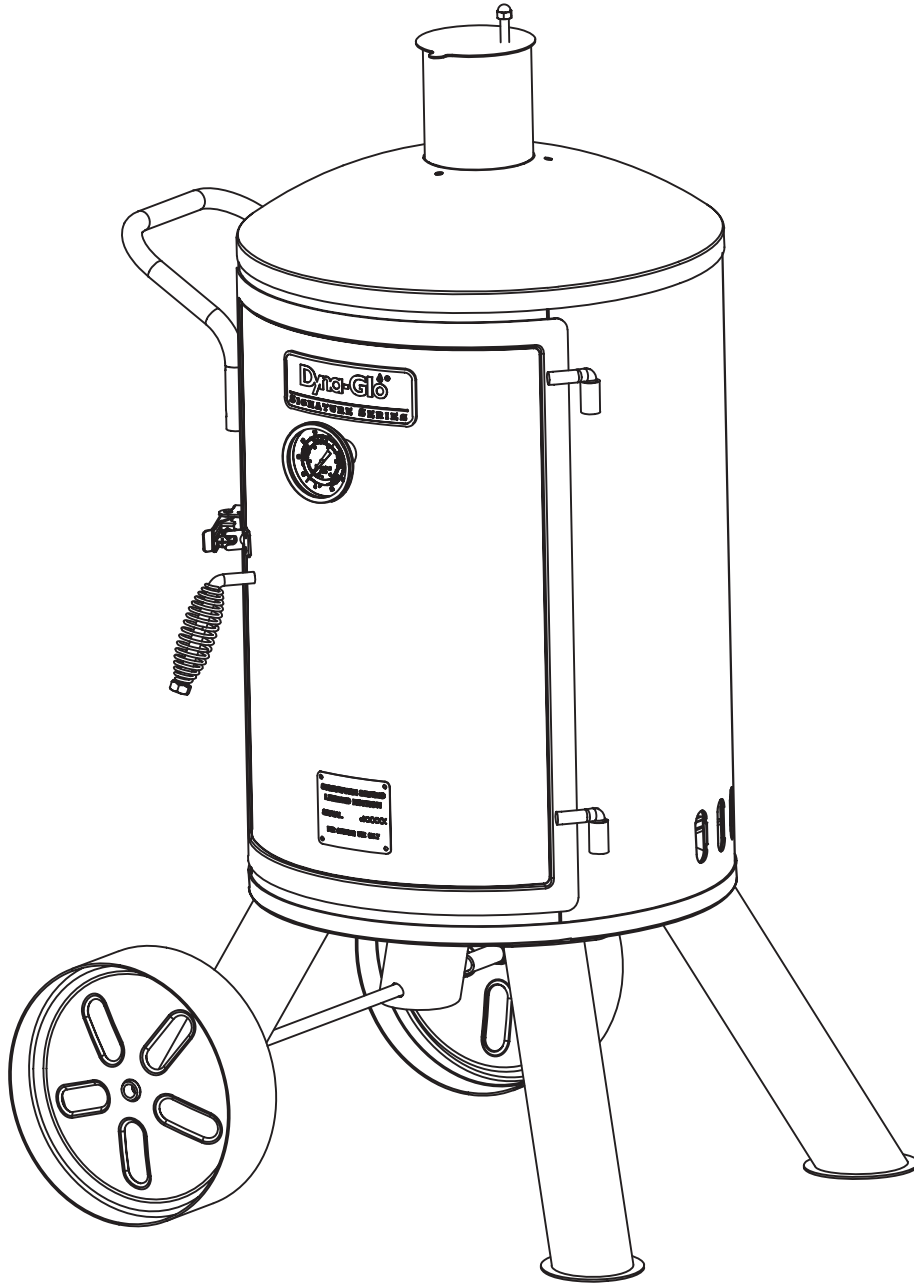
*Hardware included





Fumoir vertical au charbon de bois

MODÈLE n° DGSS681VCS/DGSS681VCS-D



AGRAFEZ VOTRE FACTURE ICI

Numéro de série _____ Date d'achat _____



Des questions, des problèmes, des pièces manquantes? Avant de retourner chez votre détaillant, appelez notre service à la clientèle au 1 877 447-4768, de 8 h 30 à 16 h 30 (HNC), du lundi au vendredi ou écrivez à customerservice@ghpgroupinc.com.

70-10-126


Rév. 12/1/16

TABLE DES MATIÈRES

Informations relatives à la sécurité	20
Contenu de l'emballage	22
Quincaillerie fournie	23
Préparation	23
Instructions d'assemblage	24
Instructions de fonctionnement	30
Conseils sur le fumage	32
Entretien et maintenance	34
Garantie	35
Liste des pièces de rechange	36

INFORMATIONS RELATIVES À LA SÉCURITÉ

Veillez lire et comprendre le présent guide avant de tenter d'assembler, d'utiliser ou d'installer le produit. Si vous avez des questions concernant le produit, appelez notre service à la clientèle au 1 877 447-4768, entre 8 h 30 et 16 h 30 (HNC), du lundi au vendredi, ou écrivez à customerservice@ghpgroupinc.com.

-  Faites preuve de prudence lorsque vous soulevez et déplacez l'appareil afin d'éviter les douleurs et les blessures au dos. Ne déplacez jamais l'appareil lorsqu'il est en fonction.
- N'utilisez **PAS** l'appareil près de matériaux inflammables ou combustibles, comme une terrasse, un porche ou un abri à voitures, ou sous de tels matériaux.
 - Le dégagement minimum entre l'appareil, sur les côtés et à l'arrière, et les constructions combustibles est de 91 cm (36 po).
 - N'utilisez **PAS** l'appareil sous des constructions.
 - N'utilisez **PAS** l'appareil comme réchaud.
 - Utilisez l'appareil sur une surface stable, plane et ininflammable comme de l'asphalte, du béton ou autre sol solide.
 - N'utilisez **PAS** l'appareil sur des matériaux inflammables comme un tapis ou une terrasse en bois.
 - Faites preuve de prudence lorsque vous assemblez et utilisez l'appareil pour éviter de vous couper ou de vous écorcher sur les rebords de l'appareil ou de ses pièces.

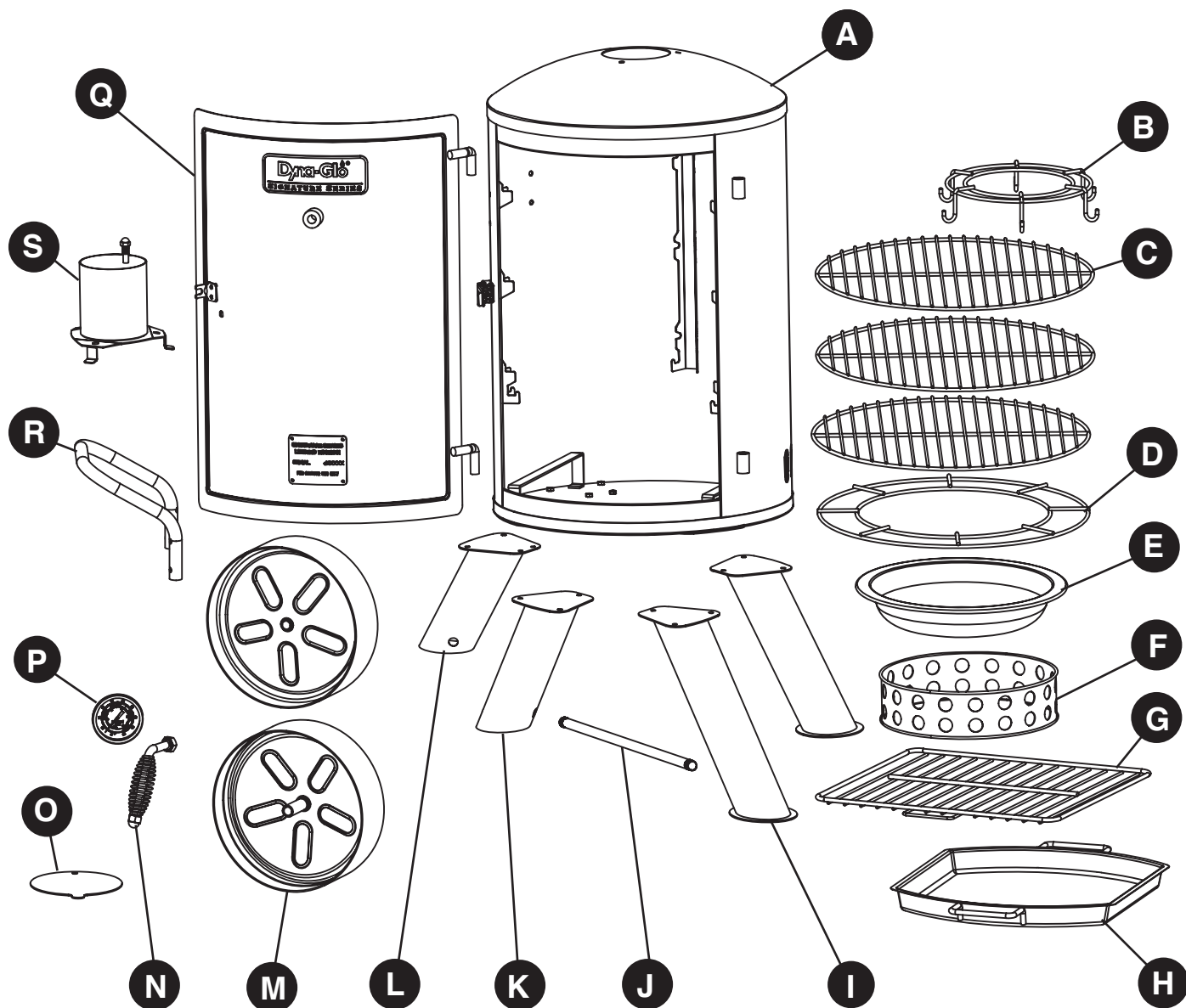
INFORMATIONS RELATIVES À LA SÉCURITÉ

- N'utilisez **PAS** le produit de quelque manière autre que la fonction pour laquelle il a été prévu. Il n'est PAS destiné à un usage commercial. Il n'est pas conçu pour une installation ou un usage à bord d'un véhicule récréatif ou d'un bateau.
- N'entreposez **PAS** l'appareil près d'essence ou d'autres liquides combustibles, ni dans des endroits où des vapeurs combustibles peuvent être présentes.
- N'entreposez et n'utilisez **PAS** le produit dans un endroit accessible aux enfants ou aux animaux. Rangez-le dans un endroit sec et protégé.
- Ne laissez **PAS** l'appareil sans surveillance pendant qu'il est en fonction.
- Ne laissez **PAS** de cendres chaudes sans surveillance tant que le fumoir n'a pas complètement refroidi.
- Ne déplacez **PAS** l'appareil lorsqu'il est en fonction ou que les cendres sont encore chaudes. Laissez-le refroidir complètement avant de le déplacer ou de le ranger.
- N'utilisez **JAMAIS** d'essence, de kérosène, d'essence à briquet Zippo/Ronson ou d'autres fluides très volatils comme allume-feu.
- Faites toujours cuire les aliments sur la grille une fois que les flammes se sont éteintes d'elles-mêmes.
- Jetez les cendres froides en les enveloppant dans du papier d'aluminium très résistant et en les plaçant dans un contenant incombustible. Assurez-vous qu'il n'y a aucune matière combustible dans le contenant ou près de ce contenant.
- Si vous devez jeter les cendres avant qu'elles n'aient complètement refroidi, retirez-les de l'appareil à l'aide de gants résistants à la chaleur et de longues pinces en métal ou d'une pelle à cendres. Placez les braises dans du papier d'aluminium et trempez-les complètement dans l'eau avant de les jeter dans un contenant incombustible.
- Laissez l'appareil refroidir complètement avant de procéder au nettoyage et à l'entretien habituels de l'appareil.
- L'appareil sera brûlant pendant et après l'utilisation. Utilisez des mitaines de four ou des gants isolants pour vous protéger des surfaces brûlantes et des éclaboussures de liquides de cuisson chauds.
- Faites preuve de prudence lorsque vous ouvrez la porte du fumoir pendant qu'il est en fonction. Gardez vos mains, votre visage et votre corps loin de la vapeur chaude et des flammes. N'inhalez PAS de fumée.
- **ÉVITEZ** de porter des vêtements amples lors que vous utilisez le fumoir. Attachez vos cheveux s'ils sont longs.
- Portez **TOUJOURS** des chaussures qui couvrent entièrement vos pieds lorsque vous utilisez le fumoir.
- N'utilisez **JAMAIS** d'accessoires de cuisson en verre, en plastique ou en céramique sur le fumoir ou à l'intérieur de celui-ci. Utilisez des accessoires en métal uniquement.
- Lorsque vous utilisez du bois de fumage, ajoutez une quantité de bois suffisante pour ne pas avoir à en rajouter pendant la cuisson.
- L'utilisation d'accessoires non conçus pour une utilisation avec ce fumoir n'est pas recommandée et peut entraîner des blessures ou des bris matériels.
- Veuillez lire et suivre tous les avertissements et toutes les instructions avant d'assembler et d'utiliser l'appareil.
- Veuillez respecter tous les avertissements et toutes les instructions en utilisant l'appareil.

PROPOSITION 65 DE L'ÉTAT DE LA CALIFORNIE

Les combustibles utilisés dans les appareils fonctionnant au bois ou au charbon et leurs produits de combustion contiennent des substances chimiques reconnues dans l'État de la Californie comme causant le cancer, des malformations congénitales ou d'autres problèmes de reproduction. Ce produit contient des substances chimiques, dont le plomb et des composés de plomb, reconnus par l'État de la Californie comme causant le cancer, des malformations congénitales ou d'autres problèmes de reproduction. **Lavez-vous les mains après l'avoir manipulé.**





CONTENU DE L'EMBALLAGE



PIÈCE	DESCRIPTION	QUANTITÉ
A	Bâti du fumoir	1
B	Crochets à saucisses	1
C	Grille de cuisson	3
D	Support du réservoir d'eau	1
E	Réservoir d'eau	1
F	Compartiment à charbon	1
G	Grille à charbon	1
H	Cendrier	1
I	Pied – droit avant/arrière	2
J	Axe de roue	1

PIÈCE	DESCRIPTION	QUANTITÉ
K	Pied – gauche avant	1
L	Pied – gauche arrière	1
M	Roue –gauche/droite	2
N	Assemblage de la poignée	1
O	Clapet d'aération de la cheminée	1
P	Jauge de température munie d'un écrou	1
Q	Assemblage de la porte	1
R	Poignée latérale	1
S	Cheminée	1

QUINCAILLERIE FOURNIE

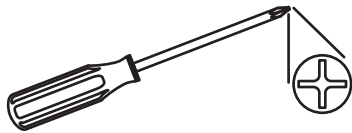
			
Bouton M6 x 12 mm	Bouton M6 x 30 mm	Écrou M6	Écrou M12
Qté 16	Qté 4	Qté 4	Qté 2

PRÉPARATION

Avant de commencer l'assemblage du produit, assurez-vous que toutes les pièces sont présentes. Comparez les pièces à la liste de contenu de l'emballage et de quincaillerie fournie précédemment. Si des pièces sont manquantes ou endommagées, ne tentez pas d'assembler le produit. Communiquez avec le service à la clientèle pour obtenir des pièces de rechange.

Temps d'assemblage estimé : 20 minutes



Outils nécessaires pour l'assemblage (non compris) : tournevis cruciforme, clé à molette ajustable

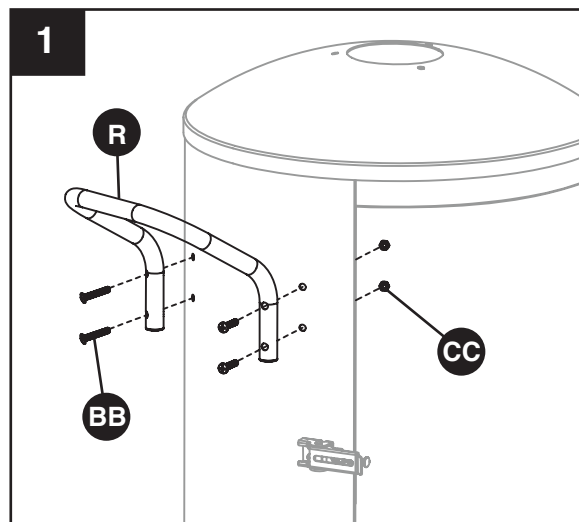


INSTRUCTIONS D'ASSEMBLAGE

1. Alors que la porte est ouverte, fixez la poignée latérale (R) à l'aide des quatre boulons M6 x 30 mm (BB) et des quatre écrous M6 (CC).

Matériel utilisé

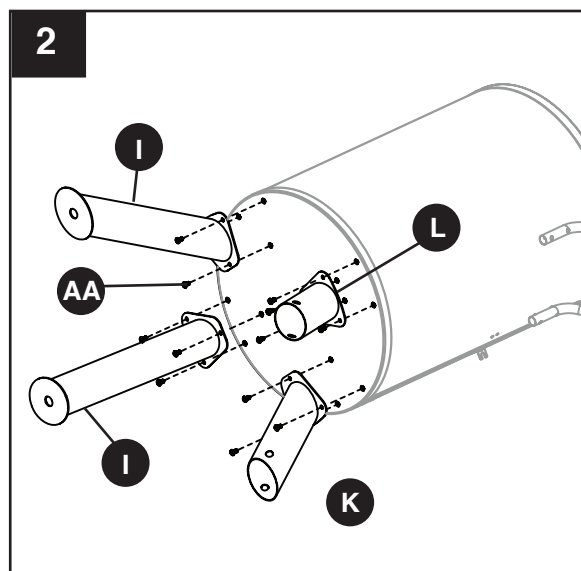
BB	Boulon M6 x 30mm		x 4
CC	Écrou M6		x 4



2. Fixez le pied gauche arrière (L) à l'aide de quatre boulons M6 x 12 mm. Fixez le pied gauche avant (K), le pied droit avant (I) et le pied droit arrière (I) à l'aide de trois boulons M6 x 12 mm.

Matériel utilisé

AA	Boulon M6 x 12mm		x 13
-----------	---------------------	---	------

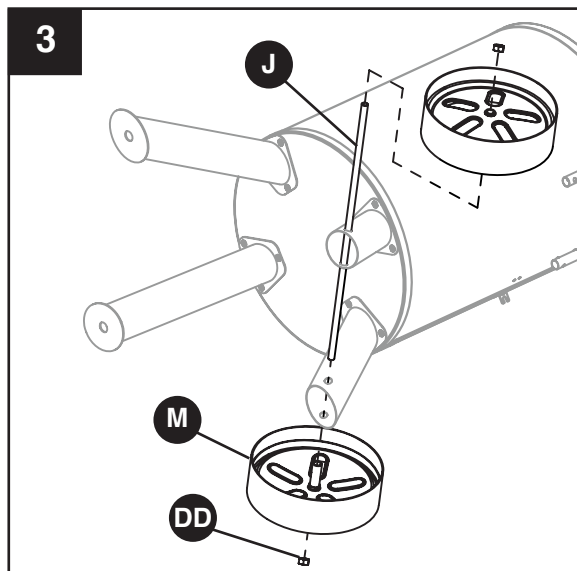


INSTRUCTIONS D'ASSEMBLAGE

3. Installez les roues (M) en insérant l'axe de roue (J) dans l'assemblage des pieds et en fixant le tout à l'aide des deux écrous M12 (DD).

Matériel utilisé

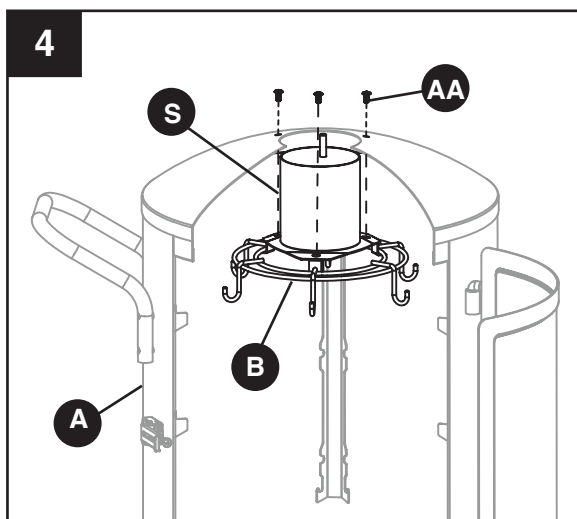
DD Écrou M12  x 2



4. **MISE EN GARDE : L'appareil est LOURD! N'essayez pas de placer le fumoir à la verticale sans aide!** Posez le cercle intérieur des crochets à saucisses (B) sur les supports inférieurs de la cheminée (S). Insérez la cheminée (S) vers le haut par l'ouverture au sommet du bâti du fumoir (A) et fixez-la à l'aide de trois boulons M6 x 12 mm (AA).

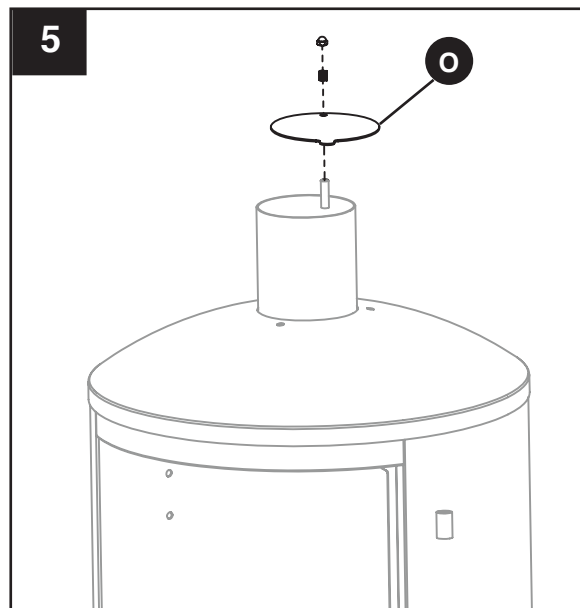
Matériel utilisé

AA Boulon M6 x 12mm  x 3

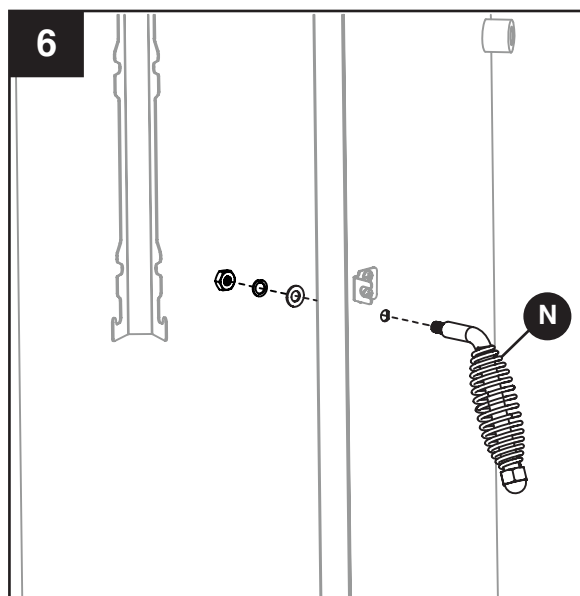


INSTRUCTIONS D'ASSEMBLAGE

5. Fixez le clapet d'aération de la cheminée (O) à l'aide des ressorts et des écrous préinstallés.

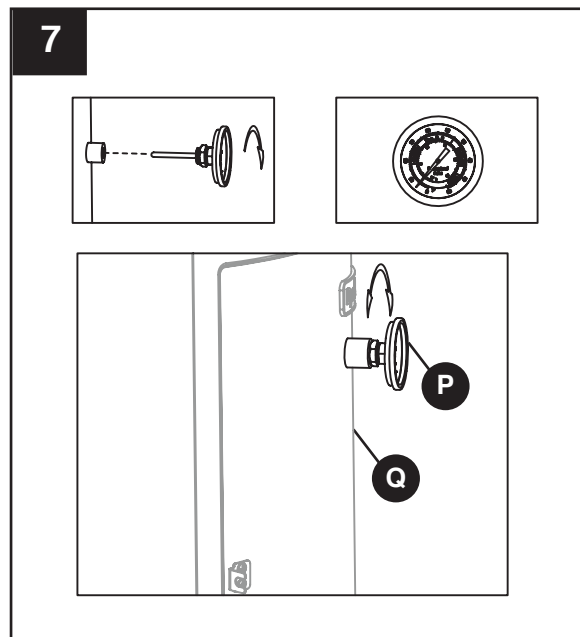


6. Fixez l'assemblage de la poignée (N) à l'aide de la rondelle plate, de la rondelle élastique et de l'écrou préinstallés.

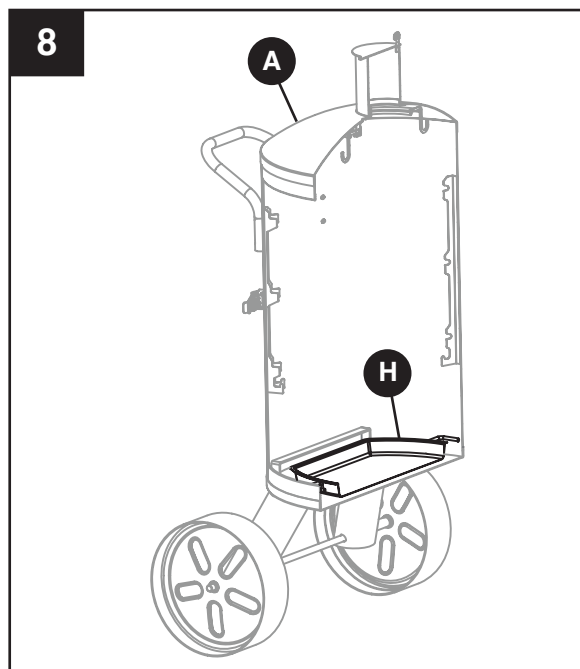


INSTRUCTIONS D'ASSEMBLAGE

7. Fixez la jauge de température (P) en insérant la sonde par l'ouverture fileté de l'assemblage de la porte (Q) et en tournant dans le sens horaire. Ne retirez pas l'écrou préinstallé avant l'installation.
REMARQUE : L'alignement de la jauge de température peut être réglé en tournant l'écrou préinstallé dans le sens horaire (ou antihoraire) avant l'installation.

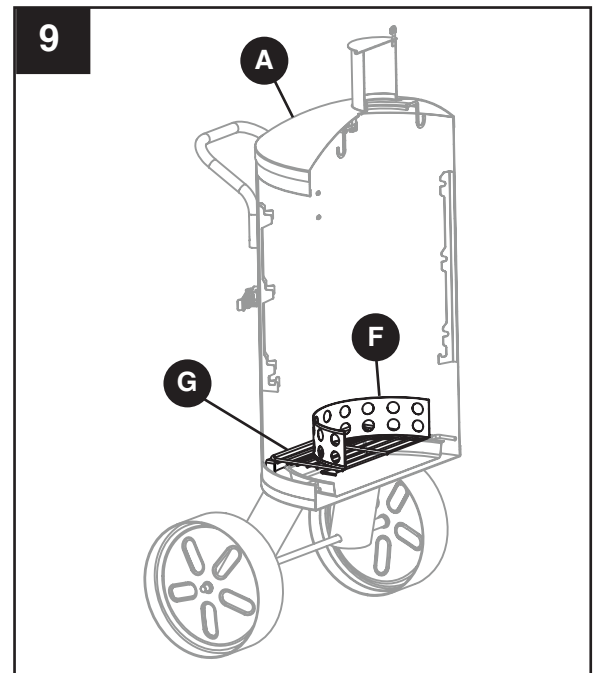


8. Placez le cendrier (H) à l'intérieur du bâti du fumoir (A) comme illustré.

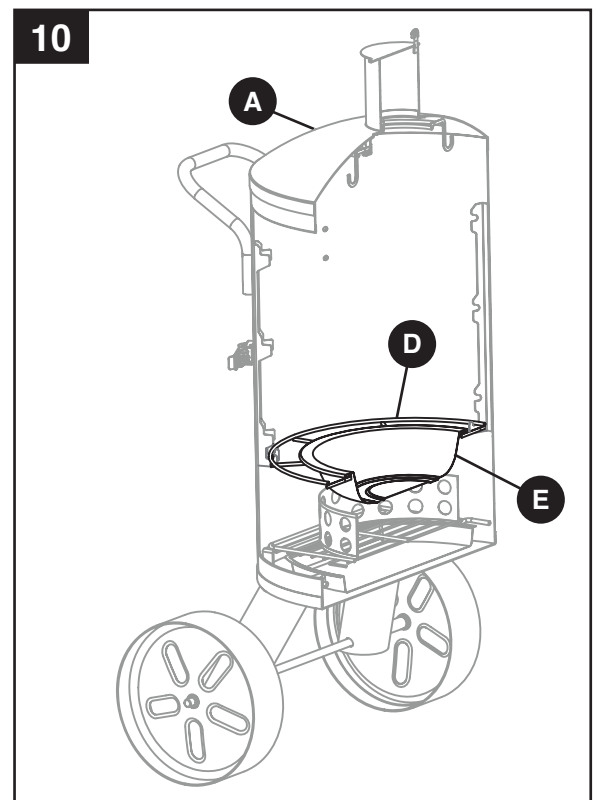


INSTRUCTIONS D'ASSEMBLAGE

9. Placez la grille à charbon (G) sur les rails de soutien à l'intérieur du bâti du fumoir (A). Placez le compartiment à charbon (F) directement sur la grille à charbon (G).



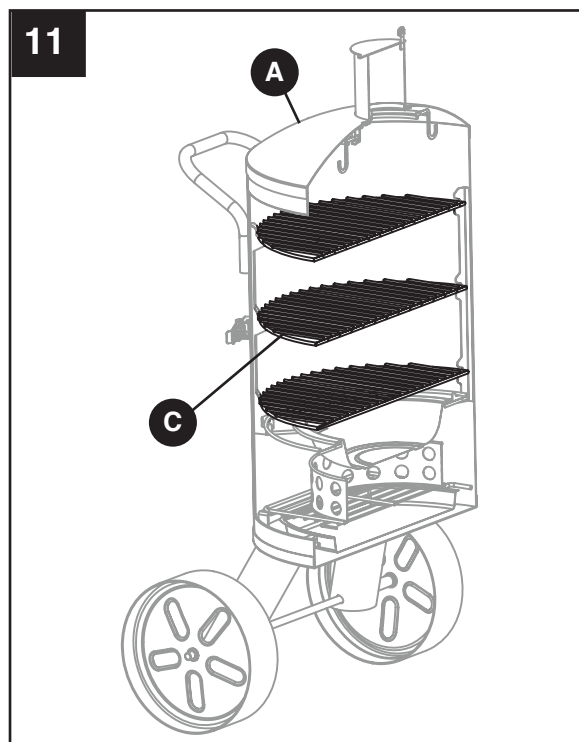
10. Placez le support du réservoir d'eau (D) sur le support inférieur à l'intérieur du bâti du fumoir (A) comme illustré. Placez le réservoir d'eau (D) sur le support du réservoir d'eau (D).



INSTRUCTIONS D'ASSEMBLAGE

11. Placez les grilles de cuisson (C) sur les supports à l'intérieur du bâti du fumoir (A) comme illustré.

Conseil : Placez les trois grilles de cuisson (C) à l'intérieur du bâti du fumoir (A) en commençant par la grille inférieure.



INSTRUCTIONS DE FONCTIONNEMENT

AVANT LA PREMIÈRE UTILISATION

Retirez tous les emballages et toutes les attaches de plastique, le cas échéant.

Avant de faire cuire des aliments dans votre fumoir, il est important de le culotter. Le culottage permet de sceller la peinture et l'intérieur du fumoir pour améliorer le goût des aliments en plus d'augmenter la durabilité et la performance globale du fumoir. Pour le culotter, suivez toutes les procédures d'utilisation des prochaines sections de ce guide, mais ne faites cuire aucun aliment dans le fumoir pendant ces procédures.

En utilisant les essences de bois et les marinades désirées, brûlez le fumoir à basse température (autour de 79,4 °C/175 °F) pendant 45 à 60 minutes. Laissez le fumoir refroidir et videz les copeaux de bois et le charbon.

Une fois le culottage terminé, l'intérieur de votre fumoir bénéficiera d'un revêtement durable.

Instructions d'allumage

N'UTILISEZ PAS DE CHARBON DE BOIS TRAITÉ AVEC UN ACCÉLÉRATEUR dans le fumoir. Utilisez uniquement des briquettes ou des blocs de charbon de bois standards non traités et ajoutez uniquement de l'allume-feu liquide pour charbon de bois. N'utilisez pas d'essence à briquet, de diluants, d'essence, de kérosène ou d'autres matières inflammables pour allumer les charbons. **L'utilisation de charbon prétraité avec un accélérateur peut endommager le fumoir.**

Étape 1

Retirez la grille et le compartiment à charbon du fumoir. Placez la grille sur une surface en ciment libre de matériaux combustibles ou inflammables. Placez le compartiment à charbon sur la grille à charbon. Reportez-vous aux instructions d'assemblage pour connaître la bonne disposition.

Commencez avec 0,91 kg (2 lb) de charbon (40 briquettes standards).

Ajustez la quantité au besoin lorsque vous cuisinez par temps froid, venteux ou pluvieux.

Étape 2

Remarque : Veuillez vous reporter aux recommandations du fabricant pour connaître la quantité d'allume-feu liquide pour charbon de bois avant d'en mettre sur les briquettes. Alors que la grille et le compartiment à charbon sont à l'extérieur du fumoir, dispersez de l'allume-feu liquide sur les charbons en respectant la quantité recommandée par le fabricant. Laissez l'allume-feu liquide s'imprégner dans le charbon pendant trois minutes avant de replacer la grille et le compartiment dans le fumoir (reportez-vous aux instructions d'assemblage pour connaître la bonne disposition de la grille et du compartiment). Après avoir laissé le charbon s'imprégner, placez l'allume-feu liquide loin du fumoir.

Étape 3

Alors que **la porte du fumoir est ouverte**, tenez vous à l'écart, allumez le charbon avec prudence et laissez-le brûler jusqu'à ce qu'il soit recouvert d'une mince couche de cendre (pendant environ 20 minutes). Il faut laisser le temps à l'allume-feu liquide de se consumer complètement avant de fermer la porte du fumoir, car les vapeurs ont tendance à s'accumuler dans le fumoir lorsque la porte est close.

INSTRUCTIONS DE FONCTIONNEMENT

Instructions d'allumage (suite)

Étape 4

Après 20 à 25 minutes, les charbons devraient être prêts pour la cuisson ou pour l'ajout de copeaux de bois. Reportez-vous à la prochaine section avant d'ajouter des copeaux sur les charbons allumés.

⚠ DANGER : La fermeture du fumoir pendant la procédure d'allumage peut emprisonner les vapeurs de l'allume-feu liquide dans le fumoir et causer un embrasement éclair ou une explosion à l'ouverture de la porte, entraînant des bris matériels, des blessures corporelles et même la mort. N'essayez jamais d'ajouter de l'allume-feu liquide sur les charbons une fois qu'ils sont allumés.

AJOUT DE COPEAUX DE BOIS (AVANT ET PENDANT LA CUISSON)

⚠ AVERTISSEMENT : Faites preuve de prudence, car des flammes peuvent jaillir lorsque de l'air frais entre soudainement en contact avec le feu. Lorsque vous ouvrez la porte, gardez vos mains, votre visage et votre corps loin de la vapeur chaude et des flammes.

Copeaux de bois trempés

Trempez la quantité désirée de copeaux dans l'eau pendant 30 minutes. Enveloppez les copeaux dans du papier d'aluminium et percez des trous sur le dessus de l'emballage. **SUIVRE LES ÉTAPES CI-DESSOUS AVANT D'AJOUTER DES COPEAUX DE BOIS TREMPÉS.**

Copeaux de bois secs

Les copeaux de bois secs peuvent être placés directement sur le charbon allumé qu'ils soient dans du papier d'aluminium ou non. **SUIVRE LES ÉTAPES CI-DESSOUS AVANT D'AJOUTER DES COPEAUX DE BOIS SECS.**

La quantité et l'essence de bois à utiliser dépendent entièrement de la concentration de saveur désirée.

Étape 1

Tenez-vous à l'écart et ouvrez doucement la porte du fumoir pour permettre à la chaleur et à la vapeur de s'échapper loin de votre visage. Faites preuve de prudence, car des flammes peuvent jaillir lorsque de l'air frais entre soudainement en contact avec le feu. Vérifiez la quantité de charbon dans le cendrier.

Étape 2

En portant des mitaines de four/gants résistants aux flammes, utilisez de longues pinces à cuisson en métal pour balayer les cendres qui recouvrent les charbons ardents. Utilisez les longues pinces à cuisson en métal pour ajouter des copeaux de bois (ou des charbons) dans le compartiment à charbon. Faites attention à ne pas soulever de cendres et à provoquer des étincelles.

⚠ AVERTISSEMENT : N'ajoutez pas d'allume-feu liquide sur les charbons ardents ou même chauds, car cela pourrait provoquer un retour de flamme entraînant des blessures graves.

Étape 3

Fermez la porte du fumoir et laissez les aliments cuire.

Attendez que les braises aient complètement refroidi avant de nettoyer le fumoir ou de le réutiliser.

CONSEILS SUR LE FUMAGE

La combinaison d'une essence de bois avec un type d'aliment en particulier dépend des préférences de l'utilisateur. Cette page peut servir de lignes directrices globales pour obtenir la saveur idéale.

- Les bois francs comme les bois de caryer, de pacanier, de pommier, de cerisier et de mesquite ont une combustion typiquement lente et produisent beaucoup de fumée sur de longues durées.
- Pour prolonger le cycle de combustion des copeaux de bois, trempez-les dans un bol d'eau à part pendant 30 minutes, enveloppez-les dans du papier d'aluminium perforé ou utilisez ces deux techniques.
- L'aromatization des aliments par la fumée se produit principalement pendant la première heure de cuisson. **L'ajout de copeaux de bois après la première heure de cuisson n'est pas normalement nécessaire, sauf si vous désirez un arôme de fumée prononcé.**

Voici une liste des essences de bois les plus répandues pour le fumage des aliments ainsi que quelques renseignements sur chacune d'elles :

Essence de bois	Aliment suggéré	Commentaires
Pommier	Toutes les viandes	Saveur douce, sucrée et légèrement fruitée. Chaque espèce de pommier confère aux aliments une saveur légèrement différente. Le bois de pommier produit un effet de brunissement qui rend la nourriture encore plus appétissante.
Amandier	Toutes les viandes	Produit une fumée sucrée avec des saveurs naturelles de noix.
Frêne	Poisson et viandes rouges	Saveur très douce.
Citrus	Porc et poulet	Les bois de citronnier et d'oranger confèrent aux aliments une saveur douce et fruitée.
Cerisier	Porc et bœuf	Saveur douce et fruitée.
Arbres fruitiers	Porc, volaille et poisson	Le bois d'arbres fruitiers, comme le pêcher, le poirier et le prunier, confère aux aliments une saveur douce, sucrée et légèrement fruitée.
Vigne	Volaille, gibier et agneau	Le bois de vigne dégage beaucoup de fumée et brûle longtemps en petite quantité. Il confère aux aliments une saveur acidulée et légèrement fruitée.
Caryer	Porc et bœuf	Le bois de caryer est sans doute le bois le plus apprécié des amateurs de fumage. La saveur qu'il produit est très prononcée; par conséquent, nous recommandons de l'utiliser en faible quantité pour commencer.
Érable	Porc et volaille	Saveur douce et sucrée.
Mesquite	Bœuf, poulet et poisson	Le bois de mesquite dégage une chaleur intense, alors soyez prudent. Tout comme le bois de caryer, il est très apprécié et confère aux aliments une saveur prononcée.
Chêne	Viandes rouges, gibier, côtes levées et poisson	Le bois de chêne produit également une fumée dense. Utilisez-en une faible quantité pour commencer.
Pacanier	Côtes levées et viandes rouges	Le bois de pacanier produit une fumée légère qui confère aux aliments une saveur sucrée et un goût de pacane.

SUGGESTIONS SUR LES TEMPÉRATURES DE FUMAGE ET DE CUISSON DE LA VIANDE

Températures de fumage

Des températures de fumage précises sont essentielles pour faire cuire les aliments de manière sécuritaire si vous ne disposez pas d'une sonde thermique. Veuillez noter que la jauge de température préinstallée est un outil acceptable pour le fumage des aliments, mais que ce n'est pas toujours le moyen idéal pour mesurer la température exacte de fumage, car il peut y avoir une différence de température à l'intérieur du fumoir entre les grilles de cuisson supérieure et inférieure. Veuillez également garder à l'esprit que les sondes de la majorité des jauges sont conçues pour mesurer la température à leur extrémité et non pour mesurer la température globale à l'intérieur du fumoir.

Autrement, il est recommandé que les utilisateurs se procurent une jauge de température à four ou un thermomètre à viande. Le thermomètre à viande est le moyen le plus efficace de déterminer quand les aliments ont atteint la température sécuritaire de cuisson. Veuillez vous reporter au tableau ci-dessous pour connaître les températures de cuisson.


SUGGESTIONS DE TEMPÉRATURES DE FUMAGE

	Température de fumage suggérée	Température sécuritaire de cuisson		Température de fumage suggérée	Température sécuritaire de cuisson
Porc, volaille et poisson			Gibier		
Bœuf, veau et agneau (coupes entières et morceaux)			Côtelettes, steaks et rôtis (cerf, wapiti, orignal, caribou/renne, antilope et antilope d'Amérique)		
Mi-saignant	107,2 °C (225 °F)	63 °C (145 °F)	Bien cuit	107,2 °C (225 °F)	77 °C (170 °F)
À point	107,2 °C (225 °F)	71 °C (160 °F)	Grand gibier		
Bien cuit	107,2 °C (225 °F)	77 °C (170 °F)	Ours, bison, bœuf musqué morse, etc.	121 °C à 149 °C (250 °F à 300 °F)	74 °C (165 °F)
Porc (jambon, longe de porc, côtes levées)			Petit gibier		
Porc (coupes entières et morceaux)	107,2 °C à 115,6 °C (225 °F à 240 °F)	71 °C (160 °F)	Lièvre, rat musqué, castor, etc.	107,2 °C à 115,6 °C (225 °F à 240 °F)	74 °C (165 °F)
Viandes hachées et mélanges de viande (hamburgers, saucisses, boulettes, plats en casserole et bœuf attendri mécaniquement)			Viande hachée		
Bœuf, veau (y compris la viande attendrie mécaniquement), agneau et porc	121 °C à 149 °C (250 °F à 300 °F)	71 °C (160 °F)	Viande hachée et mélanges de viande	121 °C à 149 °C (250 °F à 300 °F)	74 °C (165 °F)
Volaille (poulet et dinde)	121 °C à 149 °C (250 °F à 300 °F)	74 °C (165 °F)	Venaison hachée et saucisses	121 °C à 149 °C (250 °F à 300 °F)	74 °C (165 °F)
Volaille (poulet, dinde, canard)			Gibier à plumes/oiseaux aquatiques (dindon sauvage, canard, oie, perdrix et faisan)		
Morceaux	121 °C (250 °F)	74 °C (165 °F)	Entier	121 °C (250 °F)	82 °C (180 °F)
Entière	115,6 °C (240 °F)	85 °C (185 °F)	Poitrines et rôtis	121 °C (250 °F)	74 °C (165 °F)
Fruits de mer			Cuisses, ailes	121 °C (250 °F)	74 °C (165 °F)
Poisson	107,2 °C à 115,6 °C (225 °F à 240 °F)	70 °C (158 °F)	Farce (cuite à part ou dans l'oiseau)	121 °C (250 °F)	74 °C (165 °F)
Crustacés (crevettes, homard, crabe, pétoncles, palourdes, moules et huîtres)	107,2 °C à 115,6 °C (225 °F à 240 °F)	74 °C (165 °F)			
Étant donné qu'il est difficile d'utiliser un thermomètre pour aliments pour mesurer la température des mollusques, jetez ceux dont la coquille n'a pas ouvert lors de la cuisson.					

SÉCURITÉ ET ENTRETIEN APRÈS USAGE

AVERTISSEMENT

- Faites preuve de prudence lorsque vous soulevez et déplacez le fumoir afin d'éviter les douleurs et les blessures. Il est conseillé de s'y prendre à deux pour le soulever ou le déplacer.
- Ne rangez **PAS** le fumoir près d'essence ou d'autres liquides combustibles, ni dans des endroits où des vapeurs combustibles peuvent être présentes. Maintenez la zone entourant le fumoir propre et libre de tout matériel ou de toute vapeur combustibles.
- Ne rangez **PAS** le fumoir dans un endroit accessible aux enfants ou aux animaux. Rangez-le dans un endroit sec et protégé.
- Ne laissez **PERSONNE** mener des activités autour du fumoir après son fonctionnement tant qu'il n'a pas refroidi. Le fumoir devient chaud pendant son fonctionnement et reste chaud pendant un certain temps après l'utilisation.
- Ne laissez **PAS** de cendres chaudes sans surveillance tant que le fumoir n'a pas complètement refroidi.
- Le fumoir peut devenir extrêmement chaud – laissez-le refroidir complètement avant de le manipuler. Laissez-le refroidir avant d'enlever et de nettoyer le récupérateur de graisse.
- Jetez les cendres froides en les enveloppant dans du papier d'aluminium très résistant et en les plaçant dans un contenant incombustible.
- Si vous devez jeter les cendres avant qu'elles n'aient complètement refroidi, retirez le cendrier à l'aide de gants résistants à la chaleur. Placez les cendres dans du papier d'aluminium et trempez-les complètement dans l'eau avant de les jeter dans un contenant incombustible.

 **MISE EN GARDE** : Toutes les procédures d'entretien et de maintenance doivent être effectuées lorsque le fumoir a complètement refroidi.

Nettoyer les grilles de cuisson à l'aide d'eau chaude savonneuse. Rincez-les et essuyez-les bien. Il est préférable d'enduire les grilles de cuisson d'un peu d'huile ou d'aérosol de cuisson.

Pour nettoyer l'intérieur et l'extérieur du fumoir, utilisez simplement un chiffon humide. Le lavage à l'aide d'un boyau d'arrosage n'est pas recommandé. L'humidité doit être essuyée et ne doit pas être tolérée à l'intérieur ou sur le dessus du fumoir. Une fois nettoyé, il est préférable d'enduire l'intérieur du fumoir d'un peu d'huile ou d'aérosol de cuisson.

S'il y a présence de rouille sur la surface extérieure du fumoir, nettoyez la zone à l'aide d'une laine d'acier ou d'une toile d'émeri et utilisez de la peinture durable résistant à la chaleur.

N'appliquez JAMAIS de peinture supplémentaire à l'intérieur du fumoir. S'il y a présence de rouille à l'intérieur du fumoir, nettoyez bien la zone à l'aide d'une laine d'acier ou d'une toile d'émeri et enduisez-la d'un peu d'huile et d'aérosol de cuisson pour aider à réduire la réapparition de la rouille.

Pour protéger le fumoir des conditions climatiques, couvrez-le toujours lorsque vous ne l'utilisez pas.

GARANTIE

Ce fumoir vertical au charbon est garanti contre les pièces brisées ou endommagées au moment de l'achat. Toutes les autres pièces sont couvertes par une garantie limitée d'un (1) an, à l'exception du compartiment à charbon qui est garanti contre les défauts pour une période de 90 jours. La peinture est garantie contre les défauts pour une période de 90 jours, mais n'est pas garantie contre la rouille, qui pourrait apparaître après une utilisation répétée.

La garantie ne couvre pas les dommages et les problèmes causés par une négligence, une utilisation abusive ou des modifications apportées à l'appareil. La garantie ne couvre pas les coûts de main-d'œuvre.

Pour chaque pièce couverte par la garantie, une pièce de remplacement sera livrée sans frais selon la méthode choisie par GHP Group, Inc. (livraisons par voie terrestre, service postal des États-Unis ou services de colis postaux UNIQUEMENT). Tous les frais de manutention spéciaux (p. ex. : 2 jours, jour suivant, etc.) relèvent de la responsabilité du consommateur.

Toutes les réclamations sous garantie s'appliquent uniquement à l'acheteur initial du produit et nécessitent une preuve d'achat qui indique la date d'achat. Ne retournez aucune pièce à l'adresse de GHP sans avoir obtenu au préalable un numéro d'autorisation de retour de la part du service à la clientèle. Pour obtenir ce service, appelez sans frais au 1 877 447-4768, de 8 h 30 à 16 h 30 (HNC), du lundi au vendredi.

Les lois en vigueur dans certains États, provinces ou territoires n'autorisent pas l'exclusion ou la limitation des dommages consécutifs ou indirects, ou encore, la limitation de la durée d'une garantie implicite et, par conséquent, les limitations et exclusions énoncées ci-dessus pourraient ne pas s'appliquer à vous. La présente garantie vous accorde des droits spécifiques reconnus par la loi et vous bénéficiez peut-être aussi d'autres droits, qui peuvent varier selon l'État, la province ou le territoire.

GHP Group, Inc.
6440 W. Howard St.
Niles, IL, États-Unis
60714-3302

Nom de l'article : Fumoir vertical au charbon de bois
N° de modèle : DGSS681VCS/DGSS681VCS-D

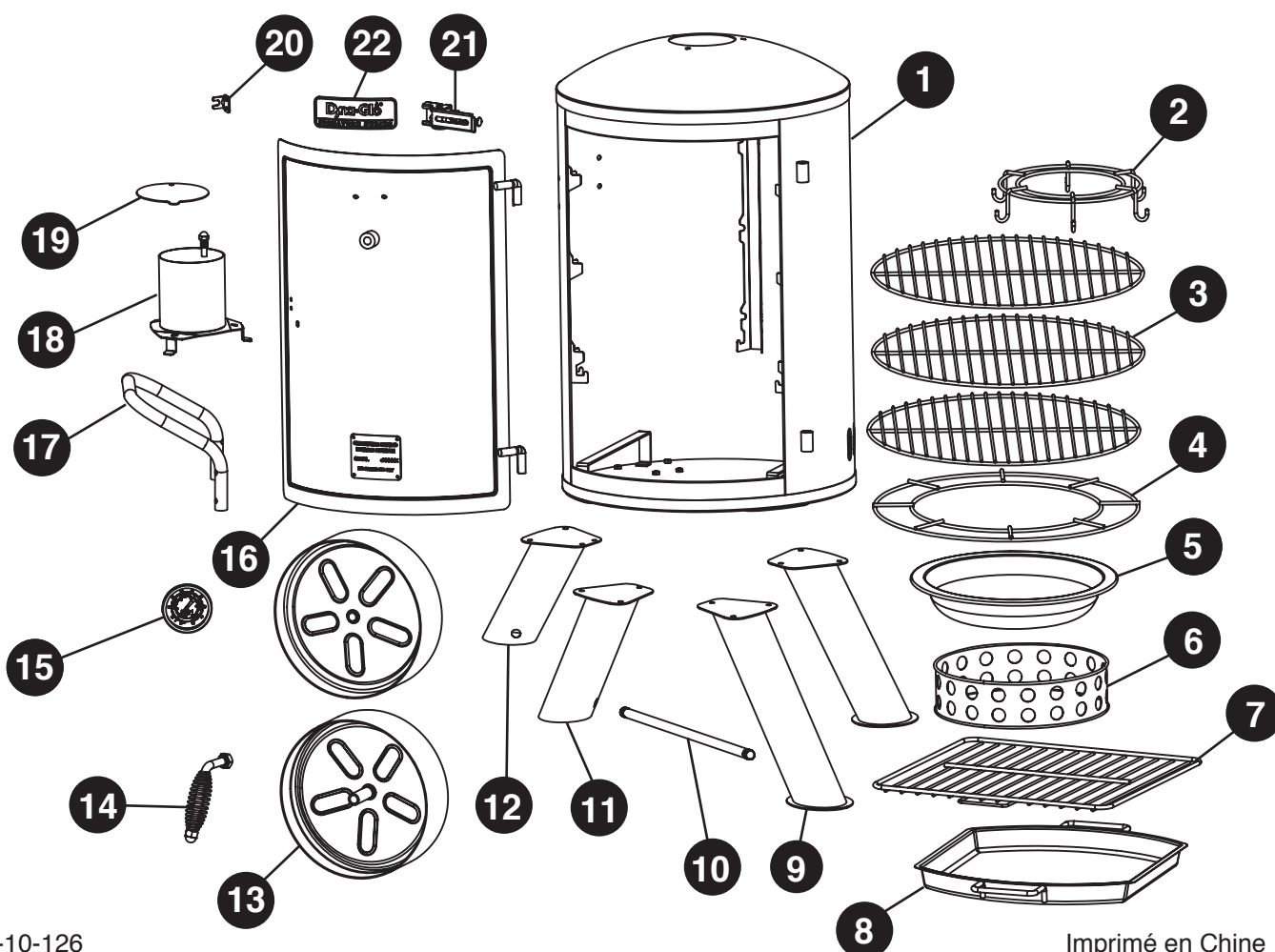
LISTE DES PIÈCES DE RECHANGE

Pour obtenir des pièces de rechange, appelez notre service à la clientèle au 1 877 447-4768, entre 8 h 30 et 16 h 30 (HNC), du lundi au vendredi ou écrivez à customerservice@ghpgroupinc.com.

PIÈCE	DESCRIPTION	N° DE PIÈCE
1	Bâti du fumoir (sans l'assemblage de la porte, le loquet de la porte, la cheminée et la poignée latérale)	70-01-504
2	Crochets à saucisses	70-01-505
3	Grille de cuisson	70-01-506
4	Support du réservoir d'eau	70-01-507
5	Réservoir d'eau	70-01-508
6	Compartiment à charbon	70-01-509
7	Grille à charbon	70-01-510
8	Cendrier	70-01-511
9	Pied – droit avant/arrière	70-01-512
10	Axe de roue	70-01-567
11	Pied – gauche avant	70-01-514
12	Pied – gauche arrière	70-01-515

PIÈCE	DESCRIPTION	N° DE PIÈCE
13	Roue – gauche/droite	70-01-516
14	Assemblage de la poignée*	70-01-517
15	Jauge de température*	70-01-518
16	Porte (sans le badge, la jauge de température, le support à loquet et la poignée)	70-01-519
17	Poignée latérale	70-01-520
18	Cheminée*	70-01-521
19	Clapet d'aération de la cheminée	70-01-522
20	Support du loquet de la porte	70-01-523
21	Loquet de la porte	70-01-524
22	Badge Dyno Glo*	70-01-525
S.O.	Trousse de matériel	70-09-513
S.O.	Guide d'instruction	70-10-126

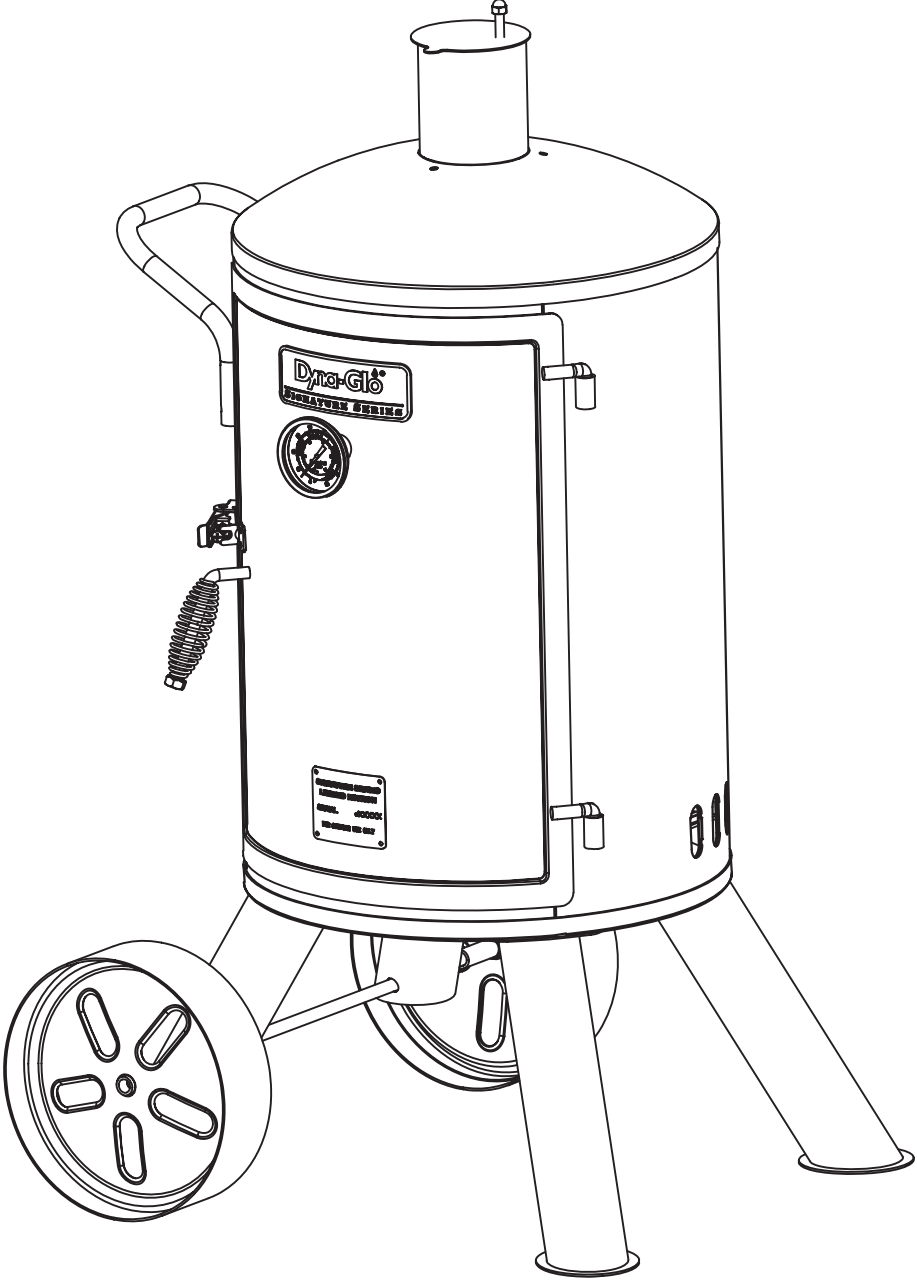
* Matériel inclus





Ahumador vertical a carbón

MODELO N.º DGSS681VCS / DGSS681VCS-D



ADJUNTE SU RECIBO AQUÍ

Número de serie _____ Fecha de compra _____




¿Dudas, problemas, piezas faltantes? Antes de volver a la tienda, llame a nuestro Departamento de Atención al Cliente al 1-877-447-4768, de lunes a viernes de 8:30 a 16:30 (hora central estándar), o escriba a customerservice@ghpgroupinc.com.

CONTENIDO

Información de seguridad	38
Contenido del paquete	40
Herramientas y tornillería	41
Preparación	41
Instrucciones de ensamblaje	42
Instrucciones de funcionamiento	48
Consejos para ahumar	50
Cuidado y mantenimiento	52
Garantía	53
Lista de piezas de repuesto	54

INFORMACIÓN DE SEGURIDAD

Lea el manual entero atentamente antes de intentar ensamblar, poner en funcionamiento o instalar el producto. Si tiene alguna pregunta sobre el producto, llame a nuestro Departamento de Atención al Cliente al 1-877-447-4768, de lunes a viernes de 8:30 a 16:30 (hora central estándar), o escriba a customerservice@ghpgroupinc.com.

-  Tenga precaución al levantar y mover la unidad para evitar un esguince o lesión en la espalda. No mueva la unidad mientras está encendida.
- **NO** ponga en funcionamiento la unidad cerca ni debajo de materiales combustibles o inflamables, como pisos de madera, galerías o cocheras.
 - La distancia mínima desde los laterales y la parte trasera hasta la estructura combustible debe ser de 36 pulgadas (91 cm).
 - **NO** ponga en funcionamiento la unidad debajo de techos.
 - **NO** utilice este artefacto como calefactor.
 - Utilice la unidad sobre una superficie no combustible, estable y nivelada, por ejemplo, una superficie asfaltada, de cemento o tierra firme.
 - **NO** ponga en funcionamiento la unidad sobre material inflamable, como alfombra o pisos de madera.
 - Tenga precaución al ensamblar y utilizar esta unidad para evitar cortarse y raspase con los bordes.

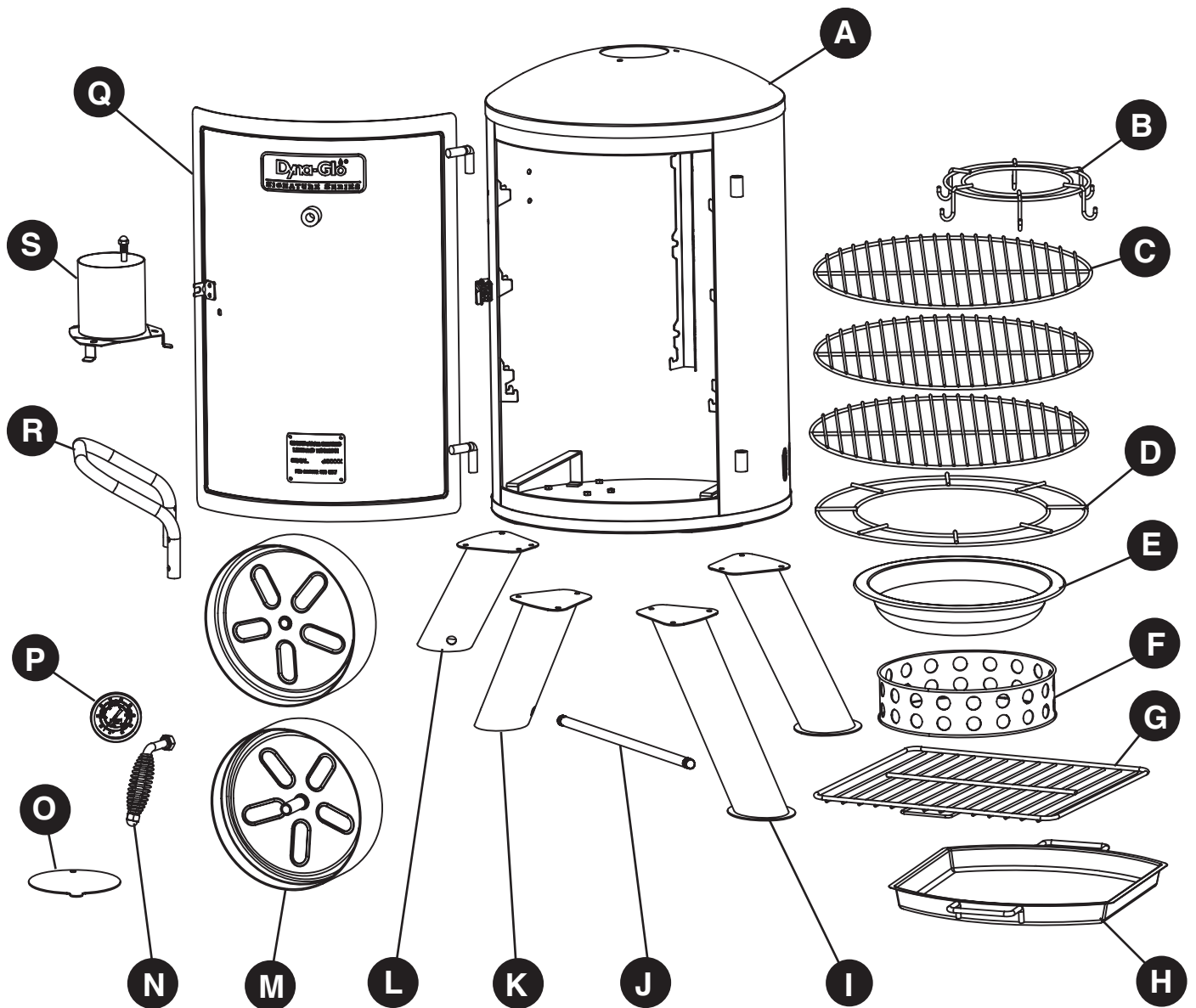
INFORMACIÓN DE SEGURIDAD

- **NO** utilice este producto con una finalidad para la que no fue diseñado. No está diseñado para uso comercial. No está diseñado para ser instalado o utilizado adentro ni sobre embarcaciones o casas rodantes.
- **NO** guarde esta unidad cerca de gasolina u otros líquidos combustibles o donde podría haber otros vapores combustibles.
- **NO** utilice ni guarde este producto en un área a la que podrían acceder niños o mascotas. Guarde esta unidad en un lugar seco y protegido.
- **NO** deje desatendida la unidad mientras está en uso.
- **NO** deje desatendidas las cenizas calientes hasta que el ahumador no se enfríe completamente.
- **NO** mueva la unidad mientras está encendida o mientras las cenizas están calientes. Deje que la unidad se enfríe completamente antes de moverla o guardarla.
- **NUNCA** utilice gasolina, kerosene, líquido combustible Zippo/Ronson ni otros líquidos altamente volátiles para encender la unidad.
- Siempre cocine los alimentos sobre la parrilla una vez que la llama se haya apagado.
- Deseche las cenizas frías envolviéndolas en una hoja de aluminio resistente y colocándolas en un contenedor no combustible. Asegúrese de que no haya otros materiales combustibles adentro o cerca del contenedor.
- Si debe desechar las cenizas antes de que estén completamente frías, quite las cenizas de la unidad utilizando guantes termorresistentes junto con una pinza de metal larga o una pala para hogar. Coloque las brasas en una hoja de aluminio y mójelas por completo con agua antes de desecharlas en un contenedor no combustible.
- Deje que la unidad se enfríe completamente antes de realizar la limpieza o el mantenimiento de rutina.
- Este artefacto estará caliente durante y después del uso. Utilice guantes aislantes para horno para protegerse de las superficies calientes o de las salpicaduras de los líquidos que se estén cocinando.
- Tenga precaución al abrir la puerta del ahumador durante el funcionamiento. Protéjase las manos, el rostro y el cuerpo del vapor caliente o de las llamaradas. **NO** inhale humo.
- **NO** use vestimentas sueltas mientras cocina en el ahumador. Sujétese el cabello hacia atrás mientras cocina.
- **SIEMPRE** use calzado que le cubra completamente los pies mientras cocina en el ahumador.
- **NUNCA** use vajilla de cristal ni utensilios de plástico o cerámica sobre ni adentro del ahumador. Use utensilios metálicos únicamente.
- Si utiliza madera para aportar un sabor especial, agregue una cantidad suficiente antes de poner en funcionamiento la unidad para evitar tener que agregar madera mientras cocina.
- El uso de accesorios que no están diseñados para este ahumador no es recomendable y podría causar lesiones personales o daños materiales.
- Lea y respete todas las advertencias e instrucciones antes de ensamblar y utilizar el artefacto.
- Respete todas las advertencias e instrucciones al utilizar el artefacto.

PROPOSICIÓN 65 DE CALIFORNIA

Los combustibles utilizados en los artefactos que queman madera y carbón, así como los productos de la combustión de esas sustancias, contienen productos químicos que, según el estado de California, pueden provocar cáncer, anomalías congénitas u otros daños reproductivos. Este producto contiene productos químicos, como plomo y compuestos de plomo, que, según el estado de California, pueden provocar cáncer, anomalías congénitas u otros daños reproductivos. ***Lávese las manos después de manipular estos productos.***




CONTENIDO DEL PAQUETE



PIEZA	DESCRIPCIÓN	CANTIDAD
A	Estructura del ahumador	1
B	Ganchos para salchichas	1
C	Rejilla para cocinar	3
D	Soporte del contenedor de agua	1
E	Contenedor de agua	1
F	Cámara para carbón	1
G	Rejilla para carbón	1
H	Bandeja para cenizas	1
I	Pata - frontal derecha/ trasera derecha	2
J	Eje de las ruedas	1

PIEZA	DESCRIPCIÓN	CANTIDAD
K	Pata - frontal izquierda	1
L	Pata - trasera izquierda	1
M	Rueda - izquierda/derecha	2
N	Conjunto de la manija de la puerta	1
O	Regulador de tiro de la chimenea	1
P	Indicador de temperatura con tuerca	1
Q	Conjunto de la puerta	1
R	Manija lateral	1
S	Chimenea	1

HERRAMIENTAS Y TORNILLERÍA

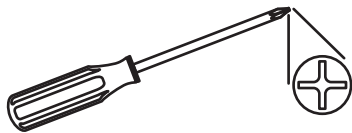
			
			
Perno M6 x 12	Perno M6 x 30	Tuerca M6	Tuerca M12
Cant. 16	Cant. 4	Cant. 4	Cant. 2

PREPARACIÓN

Antes de comenzar a ensamblar el producto, asegúrese de tener todas las piezas. Compare las piezas con la lista del contenido del paquete, y con las herramientas y tornillería que figuran más arriba. No intente ensamblar el producto si falta una pieza o hay una pieza dañada. Comuníquese con el servicio de atención al cliente para obtener las piezas de repuesto.

Tiempo estimado para el ensamblaje: 20 minutos



Herramientas requeridas para el ensamblaje (no incluidas): destornillador Phillips, llave ajustable

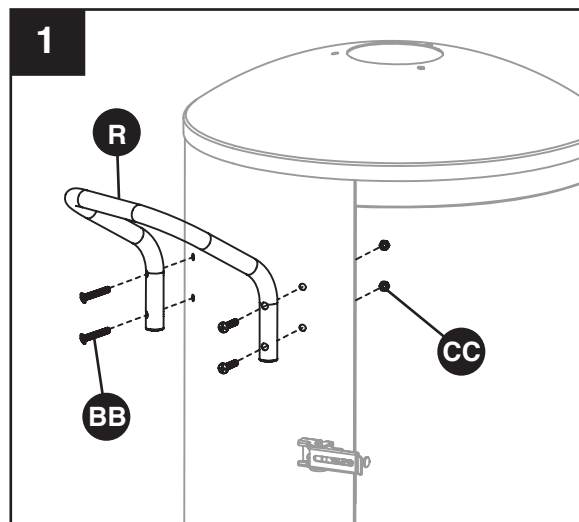


INSTRUCCIONES DE ENSAMBLAJE

1. Con la puerta abierta, instale la manija lateral (R) utilizando cuatro pernos M6 x 30 (BB) y cuatro tuercas M6 (CC).

Herramientas y tornillería utilizadas

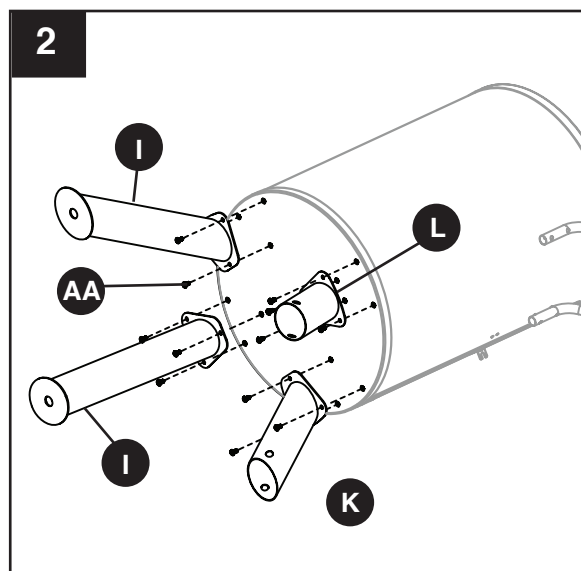
BB	Perno M6 x 30 mm		x 4
CC	Tuerca M6		x 4



2. Instale la pata izquierda trasera (L) con cuatro pernos M6 x 12. Instale la pata izquierda frontal (K), la pata derecha frontal (I) y la pata derecha trasera (I) con tres pernos M6 x 12 en cada pata.

Herramientas y tornillería utilizadas

AA	Perno M6 x 12 mm		x 13
-----------	---------------------	---	------

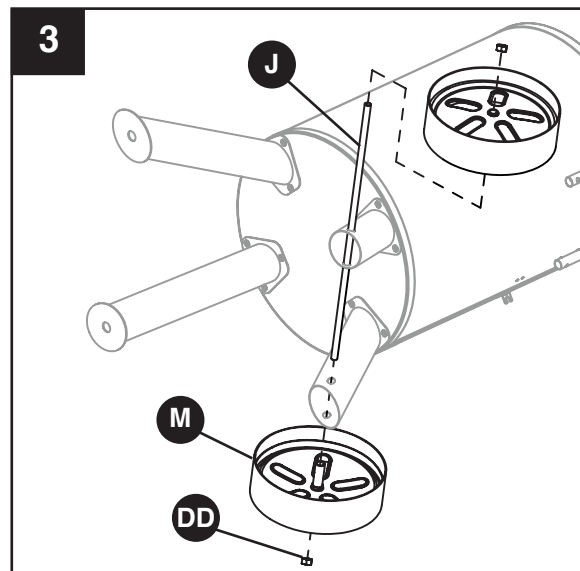


INSTRUCCIONES DE ENSAMBLAJE

3. Coloque las ruedas (M) insertando el eje (J) a través del conjunto de las patas y sujetando con dos tuercas M12 (DD).

Herramientas y tornillería utilizadas

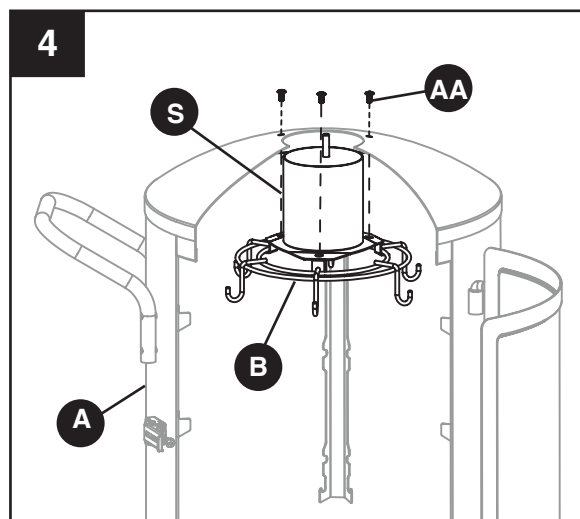
DD Tuerca M12  × 2



4. **PRECAUCIÓN: Esta unidad es PESADA. No intente colocar el ahumador en posición vertical sin ayuda.** Apoye el aro interno de los ganchos para salchichas (B) en las abrazaderas inferiores de la chimenea (S). Inserte la chimenea (S) en la apertura de la parte superior de la estructura del ahumador (A) y fíjela con tres pernos M6 × 12 (AA).

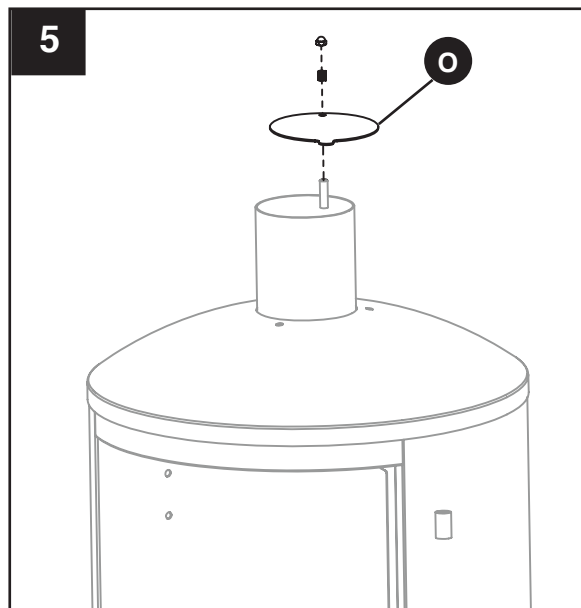
Herramientas y tornillería utilizadas

AA Perno M6 × 12 mm  × 3

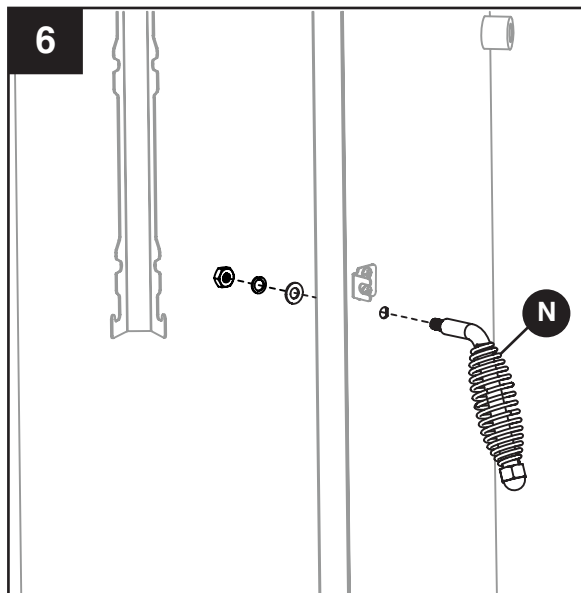


INSTRUCCIONES DE ENSAMBLAJE

5. Coloque el regulador de tiro de la chimenea (O) utilizando el resorte y la tuerca preinstalados.



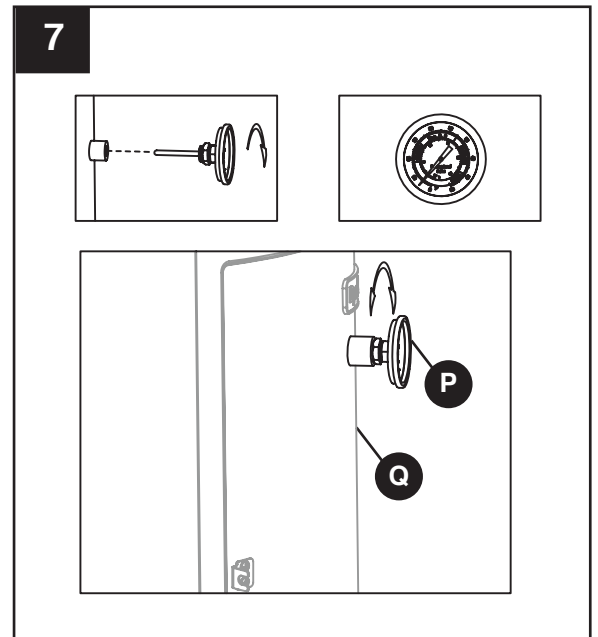
6. Instale el conjunto de la manija de la puerta (N) utilizando la arandela plana, la arandela de resorte y la tuerca preinstaladas.



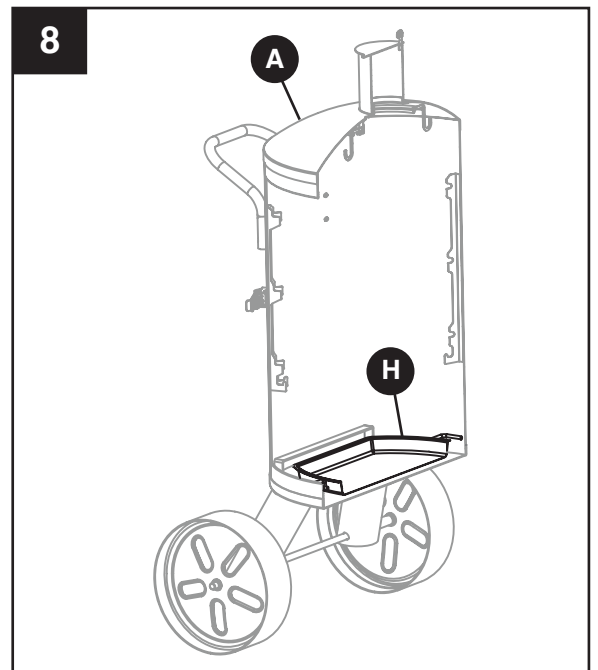
INSTRUCCIONES DE ENSAMBLAJE

7. Coloque el indicador de temperatura (P) insertando la sonda térmica en el orificio roscado del conjunto de la puerta (Q) y girando en el sentido de las agujas del reloj. No quite la tuerca preinstalada antes de instalar.

NOTA: la alineación del indicador de temperatura se puede ajustar girando la tuerca preinstalada en el sentido de las agujas del reloj (o en sentido contrario) antes de instalar.

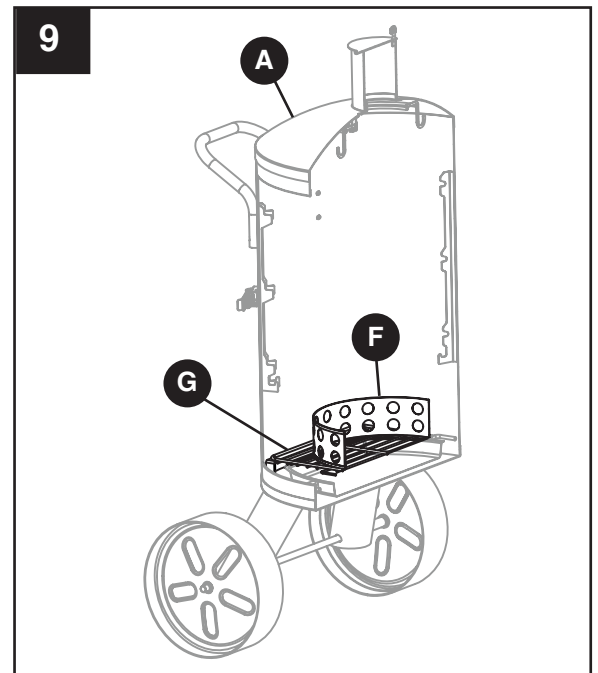


8. Coloque la bandeja para cenizas (H) adentro de la estructura del ahumador (A) como se muestra.

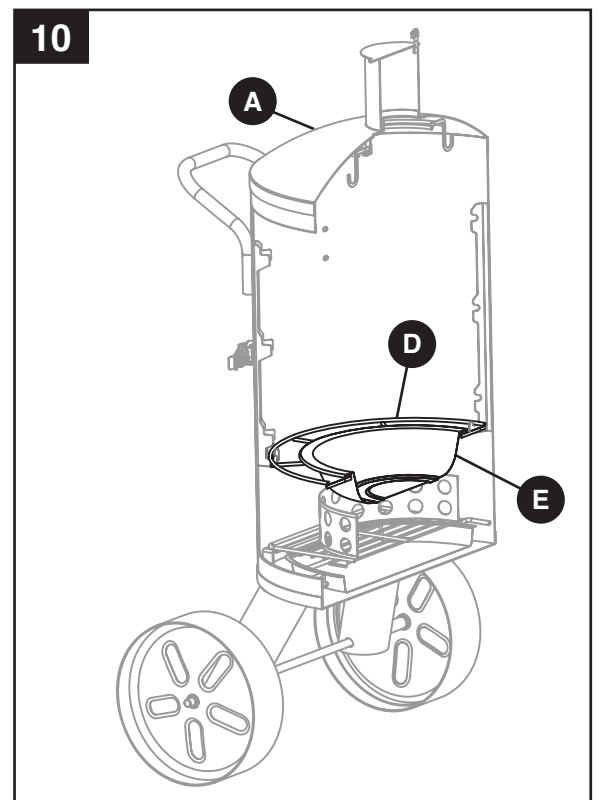


INSTRUCCIONES DE ENSAMBLAJE

9. Coloque la rejilla para carbón (G) en los carriles de soporte que se encuentran en el interior de la estructura del ahumador (A). Coloque la cámara para carbón (F) directamente sobre la rejilla para carbón (G).



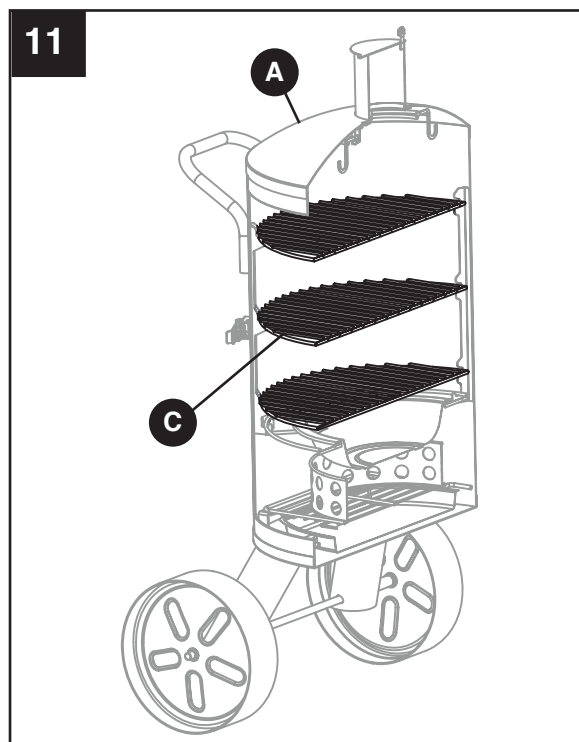
10. Coloque el soporte del contenedor de agua (D) en la abrazadera inferior que se encuentra en el interior de la estructura del ahumador (A) como se muestra. Coloque el contenedor de agua (E) sobre el soporte del contenedor de agua (D).



INSTRUCCIONES DE ENSAMBLAJE

11. Coloque las rejillas para cocinar (C) en las abrazaderas que se encuentran en el interior de la estructura del ahumador (A) como se muestra.

Consejo: Coloque las 3 rejillas para cocinar (C) adentro de la estructura del ahumador (A) y comience desde los soportes inferiores.



INSTRUCCIONES DE FUNCIONAMIENTO

ANTES DE UTILIZAR LA UNIDAD POR PRIMERA VEZ

Quite todas las presillas o las fajas de plástico, si están presentes.

Antes de cocinar alimentos en el ahumador, es importante "curar" el ahumador. Este proceso sella la pintura y el interior del ahumador para mejorar el sabor, la durabilidad y el rendimiento en general. Para curar el ahumador, siga los procedimientos de las secciones siguientes de este manual, pero no coloque los alimentos en el ahumador durante el proceso de curado.

Utilizando adobos o maderas que aportan un sabor especial, haga funcionar el ahumador a baja temperatura (aproximadamente 175 °F/79,4 °C) durante 45 a 60 minutos. Deje que el ahumador se enfríe y retire la viruta de madera y el carbón.

Una vez que se haya curado, el interior del ahumador tendrá un recubrimiento curado duradero.

Instrucciones de encendido

NO UTILICE CARBÓN TRATADO PREVIAMENTE CON LÍQUIDO ENCENDEDOR en este ahumador. Utilice solo carbón grueso o briquetas estándar sin tratamiento y utilice SOLO líquido aprobado para encender carbón. No utilice líquido combustible, solventes para pintura, gasolina, kerosene, alcohol ni otros materiales inflamables para encender el carbón. **Si se utiliza carbón con líquido encendedor, se podrían ocasionar daños en el ahumador.**

Paso 1

Retire la rejilla y la cámara para carbón de la estructura del ahumador. Coloque la rejilla sobre una superficie de cemento que esté libre de materiales inflamables o combustibles. Coloque la cámara directamente sobre la rejilla para carbón. Consulte las instrucciones de ensamblaje para colocarla correctamente.

Comience con al menos 2 lb (0,91 kg) de carbón (40 briquetas estándar).

Realice los ajustes necesarios cuando cocina en climas fríos, cuando hay mucho viento y/o cuando hay una cantidad considerable de precipitaciones.

Paso 2

Nota: Consulte la cantidad de líquido para encender carbón recomendada por el fabricante antes de aplicar el líquido a las briquetas. Con la rejilla y la cámara para carbón fuera de la cámara de combustión, empape el carbón con la cantidad de líquido para encender carbón recomendada por el fabricante del líquido. Deje que el líquido penetre en el carbón durante 3 minutos antes de volver a colocar la rejilla y la cámara en la cámara de combustión (consulte las instrucciones de ensamblaje para colocar correctamente la cámara y la rejilla). Luego de empapar el carbón, coloque el líquido para encender carbón a una distancia segura del ahumador.

Paso 3

Con **la puerta del ahumador abierta**, aléjese de la unidad, encienda cuidadosamente el carbón y deje que se quemé hasta que quede cubierto de ceniza encendida (aproximadamente 20 minutos). Antes de cerrar la puerta, debe dejar que el líquido para encender carbón se haya quemado completamente. (Si se cierra la puerta, el humo tenderá a acumularse en la estructura del ahumador).

INSTRUCCIONES DE FUNCIONAMIENTO

Instrucciones de encendido (continuación)

Paso 4

Después de 20 a 25 minutos, el carbón estará listo para cocinar y/o agregarle viruta de madera. Consulte la sección siguiente antes de agregar viruta de madera al carbón preencendido.

⚠ PELIGRO: Si se cierra la cámara de combustión durante el procedimiento de encendido, el humo proveniente del líquido para encender carbón podría quedar atrapado en la estructura del ahumador y se podría producir una combustión o explosión al abrir la puerta, lo que podría provocar pérdidas materiales, lesiones personales o la muerte. Nunca intente agregar más líquido al carbón una vez que se haya encendido.

CÓMO AGREGAR VIRUTA DE MADERA (ANTES Y DURANTE LA COCCIÓN)

⚠ ADVERTENCIA: Tenga precaución para evitar que se genere una llamarada cuando el aire fresco entra en contacto con el fuego. Al abrir la puerta, mantenga las manos, el rostro y el cuerpo a una distancia prudente del vapor caliente y las llamas.

Viruta de madera previamente remojada

Remoje la cantidad de viruta de madera deseada en agua durante 30 minutos. Envuelva la viruta de madera en una hoja de aluminio y realice orificios en la parte superior del envoltorio. **SIGA LOS PASOS QUE FIGURAN A CONTINUACIÓN ANTES DE AGREGAR VIRUTA DE MADERA PREVIAMENTE REMOJADA.**

Viruta de madera seca

La viruta de madera seca se puede colocar directamente en el carbón preencendido, con o sin la hoja de aluminio. **SIGA LOS PASOS QUE FIGURAN A CONTINUACIÓN ANTES DE AGREGAR VIRUTA DE MADERA SECA.**

La cantidad y el tipo de madera utilizada dependen completamente de la intensidad de sabor que se desea lograr.

Paso 1

Aléjese de la unidad y abra cuidadosamente la puerta del ahumador para dejar escapar el calor y el vapor. Tenga precaución para evitar que se genere una llamarada cuando el aire fresco entra en contacto con el fuego. Inspeccione el nivel de carbón de la bandeja.

Paso 2

Con manoplas o guantes resistentes a las llamas y utilizando una pinza de metal larga, aparte ligeramente las cenizas de las brasas. Utilice la pinza de metal larga para agregar viruta de madera (y/o carbón) a la cámara para carbón. Tenga cuidado de no agitar las cenizas ni las chispas.

⚠ ADVERTENCIA: Nunca agregue líquido para encender carbón a las brasas calientes, y ni siquiera a las brasas templadas, porque el retroceso de la llama podría causar quemaduras graves.

Paso 3

Cierre la puerta del ahumador y deje que los alimentos se sigan cocinando.

Permita que las cenizas se enfríen completamente antes de volver a utilizar o limpiar el ahumador.

CONSEJOS PARA AHUMAR

La combinación de la viruta de madera con el tipo específico de alimentos dependerá de las preferencias del usuario. Esta página se puede utilizar como pauta general para lograr el sabor ideal.

- Las maderas duras, como nogal, pecán, manzano, cerezo o mezquite, generalmente se queman más lentamente y producen más humo durante un período de tiempo mayor.
- Para prolongar el ciclo de quemado de las virutas de madera, sumérgalas previamente en un recipiente con agua durante al menos 30 minutos y/o envuélvalas en una hoja de aluminio perforada.
- La mayor parte del sabor ahumado se produce durante la primera hora de cocción. **En general, no es necesario agregar viruta de madera después de la primera hora, a menos que se desee lograr un sabor ahumado extra.**

A continuación, se muestra una lista de las maderas más utilizadas para ahumar y algunos datos sobre cada tipo.

Tipo de madera	Alimento sugerido	Comentarios
Manzano	Todas las carnes	Sabor suave y dulce con un leve toque de sabor frutal. Cada una de las especies de madera de manzano ofrecerá un sabor ligeramente diferente. El humo del manzano produce un atractivo efecto dorado.
Almendro	Todas las carnes	Produce un humo dulce con un sabor almendrado natural.
Fresno	Pescado y carnes rojas	Sabor muy suave.
Cítrico	Cerdo y pollo	La madera de limonero y naranjo produce un suave sabor frutal.
Cerezo	Cerdo y carne de vaca	Sabor suave y frutal.
Madera de frutal	Cerdo, aves de corral y pescado	Las maderas como las del duraznero, del peral y del ciruelo producen un suave y dulce humo con un toque de sabor frutal.
Parra	Aves de corral, carne de caza y cordero	La madera de parra produce mucho humo. Una pequeña cantidad dura mucho. Produce un sabor agrio con un toque de sabor frutal.
Nogal	Cerdo y carne de vaca	Se podría decir que el nogal es la madera favorita para ahumar. El nogal produce un sabor muy fuerte por lo que recomendamos comenzar lentamente con esta madera.
Arce	Cerdo y aves de corral	Suave y dulce.
Mezquite	Carne de vaca, pollo y pescado	Tenga cuidado porque esta madera alcanza mucha temperatura. Al igual que el nogal, el mezquite es muy utilizado y produce un sabor fuerte.
Roble	Carnes rojas, carne de caza, costillas y pescado	Otra madera que produce un humo pesado. Comience lentamente con esta madera.
Pecán	Costillas y carnes rojas	Produce un humo leve que ofrece un sabor dulce a nueces.

TEMPERATURAS SUGERIDAS PARA AHUMAR Y PARA LA CARNE

Temperaturas para ahumar

Una temperatura precisa para ahumar es fundamental para cocinar los alimentos de forma segura cuando no se dispone de una sonda térmica para carne. Tenga en cuenta que el indicador de temperatura instalado de fábrica es una herramienta aceptable para ahumar alimentos, pero no siempre es el medio ideal para medir la temperatura más precisa para ahumar ya que las temperaturas internas del ahumador pueden variar entre la rejilla para cocinar superior y la rejilla inferior. También tenga en cuenta que las sondas térmicas utilizadas en la mayoría de los indicadores están diseñadas para medir la temperatura en la punta de la sonda y no la temperatura total del ahumador.

Como alternativa, se recomienda que los usuarios adquieran, como accesorio, un indicador de temperatura listo para horno o un termómetro para carne. Los termómetros para carne son la manera más eficaz de determinar cuando los alimentos están cocidos a la temperatura mínima requerida para el consumo seguro. Consulte el siguiente cuadro para conocer las temperaturas de cocción.

TEMPERATURAS SUGERIDAS PARA AHUMAR


	Temperaturas sugeridas para ahumar	Temperaturas mínimas seguras para los alimentos		Temperaturas sugeridas para ahumar	Temperaturas mínimas seguras para los alimentos
Carne, aves de corral, pescado			Carne de caza		
Carne de vaca, ternera y cordero (piezas y cortes enteros)			Chuletas, filetes y asado (ciervo, alce, alce americano, caribú/reno, antílope y antilocapra)		
Jugosa	225 °F (107,2 °C)	145 °F (63 °C)	Bien cocida	225 °F (107,2 °C)	170 °F (77 °C)
A punto	225 °F (107,2 °C)	160 °F (71 °C)	Caza mayor		
Bien cocida	225 °F (107,2 °C)	170 °F (77 °C)	Oso, bisonte, buey almizclero morsa, etc.	250 °F - 300 °F (121 °C - 149 °C)	165 °F (74 °C)
Cerdo (jamón, lomo, costillas)			Caza menor		
Cerdo (piezas y cortes enteros)	225 °F - 240 °F (107,2 °C - 115,6 °C)	160 °F (71 °C)	Conejo, rata almizclera, castor, etc.	225 °F - 240 °F (107,2 °C - 115,6 °C)	165 °F (74 °C)
Carne picada y mezcla de carnes (hamburguesas, salchichas, albóndigas, pastel de carne, guisos y carne de vaca tiernizada mecánicamente)			Carne picada		
Carne de vaca, ternera (incluida la carne tiernizada mecánicamente), cordero y cerdo	250 °F - 300 °F (121 °C - 149 °C)	160 °F (71 °C)	Carne picada y mezclas de carnes	250 °F - 300 °F (121 °C - 149 °C)	165 °F (74 °C)
Aves de corral (pollo y pavo)	250 °F - 300 °F	165 °F (74 °C)	Carne de venado picada y salchicha	250 °F - 300 °F (121 °C - 149 °C)	165 °F (74 °C)
Aves de corral (pollo, pavo, pato)			Aves de caza/aves acuáticas (pavo salvaje, pato, ganso, perdiz y faisán)		
Piezas	250 °F (121 °C)	165 °F (74 °C)	Entero	250 °F (121 °C)	180 °F (82 °C)
Entero	240 °F (115,6 °C)	185 °F (85 °C)	Pechugas y asado	250 °F (121 °C)	165 °F (74 °C)
Pescado y mariscos			Muslos, alas	250 °F (121 °C)	165 °F (74 °C)
Pescado	225 °F - 240 °F (107,2 °C - 115,6 °C)	158 °F (70 °C)	Relleno (cocinado solo o en un ave)	250 °F (121 °C)	165 °F (74 °C)
Mariscos (camarón, langosta, cangrejo, vieiras, almejas, mejillones y ostras)	225 °F - 240 °F (107,2 °C - 115,6 °C)	165 °F (74 °C)			
Dado que es difícil utilizar un termómetro de alimentos para verificar la temperatura de los mariscos, deseche los mariscos que no se abren durante la cocción.					

CUIDADO Y MANTENIMIENTO

SEGURIDAD Y MANTENIMIENTO DESPUÉS DEL USO

ADVERTENCIA

- Tenga precaución al levantar y mover el ahumador para evitar lesiones por esfuerzo. Se recomienda levantar o mover el ahumador entre dos personas.
- **NO** guarde el ahumador cerca de gasolina u otros líquidos combustibles o donde podría haber vapores combustibles. Asegúrese de que no haya materiales ni vapores combustibles en el área donde se encuentra el ahumador.
- **NO** guarde el ahumador en un área a la que podrían acceder niños o mascotas. Guarde el ahumador en un lugar seco y protegido.
- **NO** deje que nadie realice actividades cerca del ahumador después de haberlo utilizado sin que se haya enfriado. Se calienta durante el uso y permanece caliente por un tiempo después del uso.
- **NO** deje desatendidas las cenizas calientes hasta que el ahumador no se enfríe completamente.
- El ahumador se calienta mucho; deje que el ahumador se enfríe completamente antes de manipularlo. Deje que el ahumador se enfríe antes de extraer y limpiar la grasera.
- Deseche las cenizas frías envolviéndolas en una hoja de aluminio resistente y colocándolas en un contenedor no combustible.
- Si debe desechar las cenizas antes de que estén completamente frías, extraiga la bandeja para carbón utilizando guantes termorresistentes y coloque las cenizas en una hoja de aluminio. Moje las cenizas por completo con agua antes de desecharlas en un contenedor no combustible.

 **PRECAUCIÓN:** Todos los procedimientos de cuidado y mantenimiento se realizarán con el ahumador completamente frío.

Limpie las rejillas para cocinar con agua caliente y jabonosa. Enjuague y seque bien. Si lo desea, puede cubrir las rejillas para cocinar con una pequeña capa de aceite comestible líquido o en aerosol.

Para limpiar el interior y el exterior del gabinete del ahumador, utilice solo un paño húmedo. No es recomendable realizar un lavado por aspersión con manguera. Se debe secar la humedad y asegurarse de que el interior y la parte superior del ahumador no queden húmedos. Luego de la limpieza, si lo desea, puede cubrir el interior del gabinete del ahumador con una pequeña capa de aceite comestible líquido o en aerosol.

Si hay óxido en la superficie exterior del ahumador, limpie el área con lana de acero o tela de esmeril y utilice una pintura sólida resistente al calor.

NUNCA aplique pintura adicional en el interior del ahumador. Si hay óxido en el interior del ahumador, límpielo bien con una estopa metálica o tela de esmeril y cubra el área con una pequeña capa de aceite comestible líquido o en aerosol para minimizar la posibilidad de que se vuelva a oxidar.

Para proteger el ahumador de las condiciones climáticas, manténgalo siempre cubierto cuando está fuera de uso.

GARANTÍA

Este ahumador vertical a carbón está garantizado contra piezas rotas o dañadas en el momento de la compra. Todas las demás piezas tienen una garantía limitada por un (1) año, a excepción de la cámara para carbón, que tiene una garantía contra defectos por 90 días. La pintura tiene una garantía contra defectos por 90 días, a excepción del óxido, que podría aparecer después de varios usos.

Esta garantía no cubre los daños o problemas relacionados con la negligencia, el uso indebido o las modificaciones al artefacto. El trabajo de reparación no está cubierto.

Todas las piezas que cumplan con los requisitos de la garantía serán enviadas sin cargo a través de un medio seleccionado por GHP Group Inc. (envíos terrestres, correo de EE. UU. o servicio de encomiendas ÚNICAMENTE). Los cargos de entrega especial (es decir, entrega de segundo día, antes del mediodía, etc.) serán responsabilidad del consumidor.

Todos los reclamos bajo la garantía solo se aplican al comprador original y requieren una prueba de la compra que verifique la fecha de compra. No devuelva piezas a la dirección de GHP sin antes obtener el número de autorización de devolución emitido por nuestro servicio al cliente. Este servicio está disponible a través del número gratuito 1-877-447-4768, de lunes a viernes de 8:30 a 16:30 (hora central estándar).

Algunos estados no permiten la exclusión o limitación de daños incidentales o indirectos por el tiempo que dura una garantía implícita. Por lo tanto, es posible que las limitaciones o exclusiones mencionadas no se apliquen en su caso. Esta garantía otorga derechos legales específicos, y podría haber otros derechos aplicables según el estado.

GHP Group Inc.
6440 W. Howard Street
Niles, IL, EE. UU.
60714-3302

Nombre del artículo: Ahumador vertical a carbón
N.º de modelo: DGSS681VCS / DGSS681VCS-D

LISTA DE PIEZAS DE REPUESTO

Para obtener piezas de repuesto, llame a nuestro Departamento de Atención al Cliente al 1-877-447-4768, de lunes a viernes de 8:30 a 16:30 (hora central estándar), o escriba a customerservice@ghpgroupinc.com.

PIEZA	DESCRIPCIÓN	N.º DE PIEZA
1	Estructura del ahumador (sin conjunto de la puerta, cerrojo de la puerta, chimenea ni manija lateral)	70-01-504
2	Ganchos para salchichas	70-01-505
3	Rejilla para cocinar	70-01-506
4	Soporte del contenedor de agua	70-01-507
5	Contenedor de agua	70-01-508
6	Cámara para carbón	70-01-509
7	Rejilla para carbón	70-01-510
8	Bandeja para cenizas	70-01-511
9	Pata - frontal derecha/ trasera derecha	70-01-512
10	Eje de las ruedas	70-01-567
11	Pata - frontal izquierda	70-01-514
12	Pata - trasera izquierda	70-01-515

PIEZA	DESCRIPCIÓN	N.º DE PIEZA
13	Rueda - izquierda/derecha	70-01-516
14	Conjunto de la manija de la puerta*	70-01-517
15	Indicador de temperatura*	70-01-518
16	Puerta (sin placa, indicador de temperatura, abrazadera del cerrojo ni manija)	70-01-519
17	Manija lateral	70-01-520
18	Chimenea*	70-01-521
19	Plato regulador de tiro de la chimenea	70-01-522
20	Abrazadera del cerrojo de la puerta	70-01-523
21	Cerrojo de la puerta	70-01-524
22	Placa Dyna Glo*	70-01-525
n/a	Paquete de herramientas y tornillería	70-09-513
n/a	Manual de instrucciones	70-10-126

*Herramientas y tornillería incluidas

