

This Owner's Manual is provided and hosted by [Appliance Factory Parts](#).



DYNA-GLO DGU505BAE-1 Owner's Manual

[Shop genuine replacement parts for DYNA-GLO
DGU505BAE-1](#)



[Find Your DYNA-GLO Grill Parts - Select From 232 Models](#)

----- Manual continues below -----

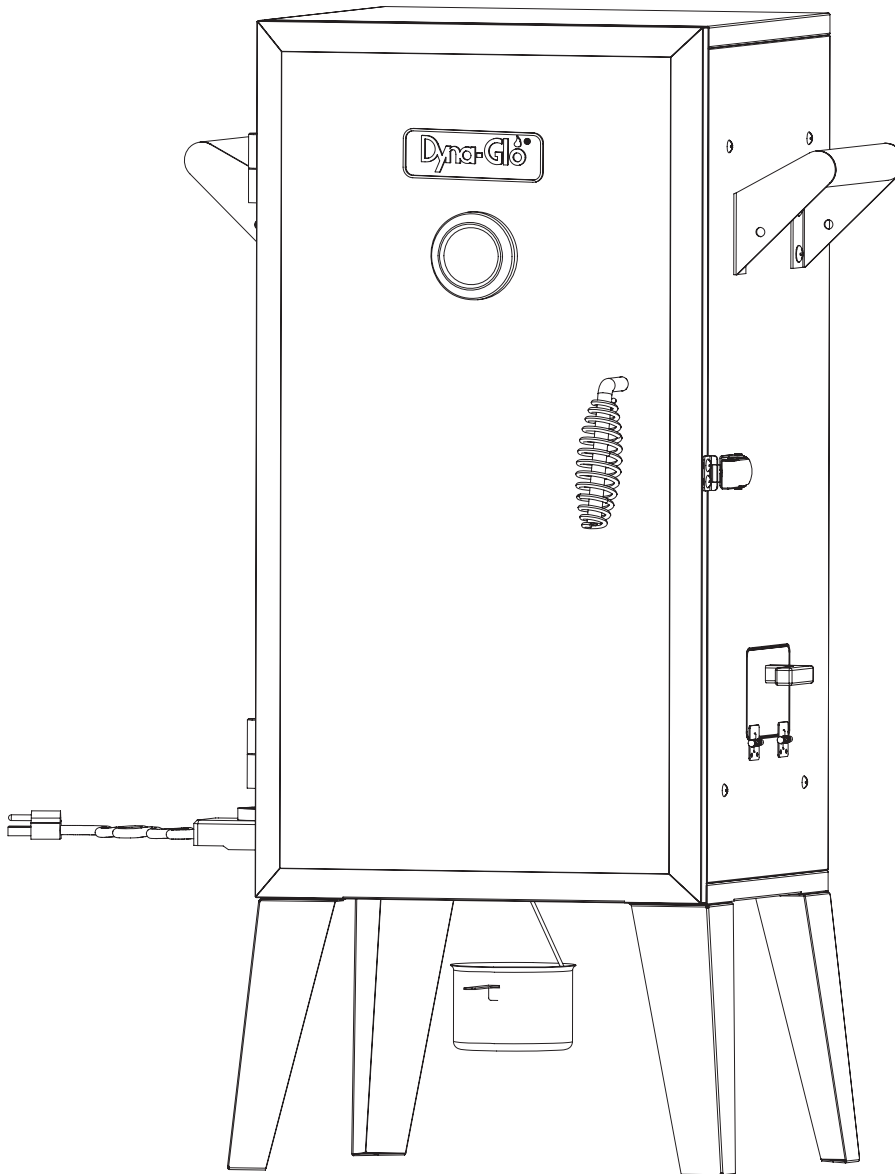
Dyna-Glò[®]

Vertical Electric Analog Smoker

MODEL #DGU505BAE / DGU505BAE-D

Français p. 28

Español p. 55



C US

UL 1026 - sixth edition, 2012
Electric Household
Cooking and Food
Serving Appliances

CSA C22.2 No. 64-10
(reaffirmed 2014)
Household Cooking and
Liquid-Heating Appliances

**FOR OUTDOOR
USE ONLY**
Use only with Class A GFI
(Ground Fault Interrupter)

ATTACH YOUR RECEIPT HERE

Serial Number _____ Purchase Date _____



Questions, problems, missing parts? Before returning to your retailer, call our customer service department at 1-877-447-4768, 8:30 a.m. – 4:30 p.m. CST, Monday – Friday or e-mail us at customerservice@ghpgroupinc.com.



NO NEED TO RETURN TO THE STORE

Questions With The Assembly?
Require Parts Information?
Product Under Manufacturers Warranty?

Call Toll Free : 1-877-447-4768
8:30 a.m. – 4:30 pm CST, Monday – Friday

Retain This Owner's Manual And Proof Of Purchase For Future Reference

To help us help you

Fill in the information below:

--	--	--	--

Date of Purchase

Place of Purchase

Model Number

Product Serial No.

MODEL NUMBER AND PRODUCT SERIAL NUMBER CAN BE FOUND ON
THE RATING LABEL OF YOUR GRILL.

TABLE OF CONTENTS

Safety Information	3
Package Contents	8
Hardware Contents	9
Preparation Before Assembly	9
Assembly Instructions	10
Operating Instructions	17
Tips On Smoking	21
Care and Maintenance	23
Troubleshooting	24
Replacement Parts List	26
Warranty	27

Assembler/Installer: This instruction manual contains important information necessary for the proper assembly and safe use of this appliance. Read and follow all warnings and instructions before assembling and using this appliance. **Leave these instructions with the consumer.**

Consumer/User: Follow all warnings and instructions when using this appliance.

SAVE THESE INSTRUCTIONS

SAFETY INFORMATION

Please read and understand this entire manual before attempting to assemble, operate or install the product. If you have any questions regarding the product, call our customer service department at 1-877-447-4768, 8:30 a.m.- 4:30 p.m. CST, Monday - Friday.

CAUTION

- When using electrical appliances, basic precautions should always be followed to reduce the risk of fire, electrical shock, and injury to persons.

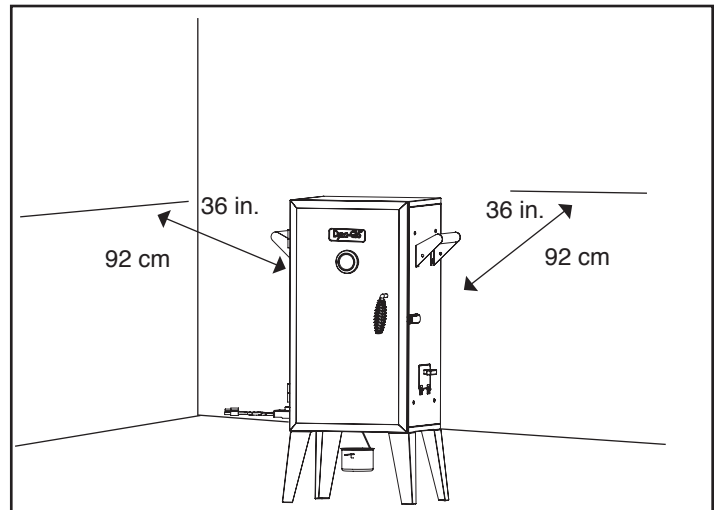
DANGER

- Failure to follow these instructions could result in fire or burn hazard which could cause property damage, personal injury or death.

IMPORTANT SAFEGUARDS

READ ALL INSTRUCTIONS, PRIOR TO USING THIS SMOKER

- **DO NOT** use this product for anything other than its intended purpose. It is **NOT** intended for commercial use. It is **NOT** intended to be installed or used in or on a recreational vehicle and/or boat.
- **DO NOT** operate this smoker with a damaged cord or plug or after the smoker malfunctions, has been dropped, or is damaged in any manner.
- **DO NOT** use smoker within 10 feet (3 m) of a swimming pool, puddle, pond or other body of water.
- Keep smoker and electric controller dry and out of rain at all times.
- A minimum clearance of 36 in. (92 cm) to combustible material is required on the front, sides and back. It is very important to always maintain proper clearances to combustibles.
- When using flavoring wood, add a sufficient amount at the start of the cooking process, in order to avoid re-adding wood during the cooking process. Adding wood while operating may splash hot water and cause serious injury.
- Check the water level at least every 2 hours. A sizzling sound may indicate a low water level. Follow instructions in this manual for adding water while operating (see Page 17).
- **DO NOT** use the appliance during an electrical storm.
- Connect to properly grounded outlets only.
- Use only with a Class A GFI (Ground Fault Interrupter) protected circuit.
- Arrange the power cord away from traffic areas to ensure that it is not tripped over.
- To disconnect the smoker, turn the smoker off by turning the control dial to O (OFF), and removing the plug from the outlet.
- **DO NOT** obstruct the flow of ventilated air for the appliance.
- **DO NOT** use metal foil on the cooking grates. Doing so may result in damage to the smoker.
- **DO NOT** use this appliance as a heater.
- **DO NOT** use charcoal with this appliance. This appliance is not designed for use with charcoal and a fire will result if charcoal is used during operation. The fire will create an unsafe condition and damage the smoker.
- Use caution when opening the door of the smoker while in operation. Keep hands, face and body safe from hot steam or flare-ups. **DO NOT** inhale smoke.
- If you must dispose of ashes in less time than it takes for the ashes to completely cool down, then remove the ashes from the appliance using insulated oven mitts or gloves and completely soak the ashes with water before disposing of them in a noncombustible container.
- **DO NOT** wear loose clothing while operating the smoker. Tie back long hair while operating the smoker.
- **ALWAYS** wear shoes that fully cover your feet while operating the smoker.



SAFETY INFORMATION

- **DO NOT** touch hot surfaces. Use handles or knobs.
- To protect against electrical shock do not immerse cord, plugs, or thermostat control assembly in water or other liquid.
- Close supervision is necessary when any appliance is used by or near children.
- Unplug from outlet when not in use and before cleaning. Allow to cool before putting on or taking off parts.
- **DO NOT** operate any appliance with a damaged cord or plug or after the appliance malfunctions or has been damaged in any manner. Return appliance to the nearest authorized service facility for examination, repair, or adjustment.
- The use of accessory attachments not recommended by the appliance manufacturer may cause injuries.
- **DO NOT** use indoors.
- **DO NOT** let cord hang over edge of table or counter, or touch hot surfaces.
- Do not place on or near a hot gas or electric burner, or in a heated oven.
- Extreme caution must be used when moving an appliance containing hot oil or other hot liquids.
- Always attach plug to appliance first, then plug cord into the wall outlet. To disconnect, turn the control dial to O (OFF), then remove plug from wall outlet.
- **DO NOT** use appliance for other than intended use.
- Use extreme caution when removing trays or disposing of hot grease.
- **DO NOT** clean with metal scouring pads. Pieces can break off the pad and touch electrical parts, creating a risk of electric shock.
- Fuel, such as charcoal briquettes, is not to be used with appliance.
- Use only on properly grounded outlet.
- Be sure that handles are assembled and fastened properly. See instructions regarding handles on Page 11.
- **SAVE THESE INSTRUCTIONS.**

WARNING

- DO NOT use 16 or 18 gauge extension cords. Damage to household wiring and/or fire could result.

THE USE OF AN EXTENSION CORD IS NOT RECOMMENDED.

READ ALL INSTRUCTIONS, PRIOR TO USING AN EXTENSION CORD WITH THIS SMOKER

- Use only OUTDOOR type with 3 prong grounding plug, rated for 15 amperes or more, approved by UL, marked with a W-A and a tag stating "Suitable for Use with Outdoor Appliance".
- Use the shortest length extension cord required. Do not connect 2 or more extension cords together.
- Do not let cord hang over edge of table top or other items where it can be pulled by children or tripped over.

SAFETY INFORMATION

Ground Fault Interrupter

- Since 1971 the National Electric Code (NEC) has required Ground Fault Interrupter devices on all outdoor circuits.
- If your residence was built before 1971, check with a qualified electrician to determine if a Ground Fault Interrupter protector exists.
- Do not use this appliance if the circuit does not have Class A GFI protection.
- Do not plug this appliance into an indoor circuit.

GENERAL SAFETY

READ ALL INSTRUCTIONS, PRIOR TO USING THIS SMOKER

- This appliance is for outdoor use only in well-ventilated areas. **DO NOT** operate it under a roof, in a building, garage or any other enclosed area, or under overhead construction.
- Before each use check that no dead leaves or debris are under the appliance.
- Keep a fire extinguisher near this product at all times.
- Always unplug the smoker when not in use.
- Allow the smoker and its components to cool completely before conducting any routine cleaning or maintenance.
- **DO NOT** use water or other liquid spray to clean the smoker without first unplugging the unit.
- Allow the smoker to cool to 115°F (45°C) before moving or storing. Use caution when lifting and moving the appliance to avoid back strain or back injury.
- **DO NOT** move the appliance while it is in use.
- When not in use, the smoker should be kept out of the elements or protected with a cover. Allow the smoker to completely cool before placing the cover. Store this appliance in a dry, protected location when possible.
- Use of accessory attachments not recommended by the appliance manufacturer may lead to injury or property damage.

WARNING

To Avoid Serious Injury:

- While cooking, the smoker must be on a level, stable, noncombustible surface in an area clear of combustible material, including long or dry grass.
- The use of alcohol, prescription or nonprescription drugs may impair the user's ability to properly assemble and safely operate this appliance.
- **DO NOT** move the appliance while it is in use.
- **DO NOT** store and use this appliance near gasoline or other combustible liquids or where other combustible vapors may be present.
- The smoker should only be used in well ventilated areas.
- **DO NOT** use this appliance as a heater.
- **DO NOT** leave the appliance unattended while in use. Keep children and pets away from the appliance at all times.
- This appliance will be hot during and after use. Use insulated oven mitts or gloves for protection from hot surfaces or splatter from cooking liquids.

WARNING

CALIFORNIA PROPOSITION 65

1. Combustible by-products produced when using this product contains chemicals known to the State of California to cause cancer, birth defects, or other reproductive harm.
2. This product contains chemicals, including lead and lead compounds, known to the State of California to cause cancer, birth defects or other reproductive harm.

Wash your hands after handling this product.

DANGER

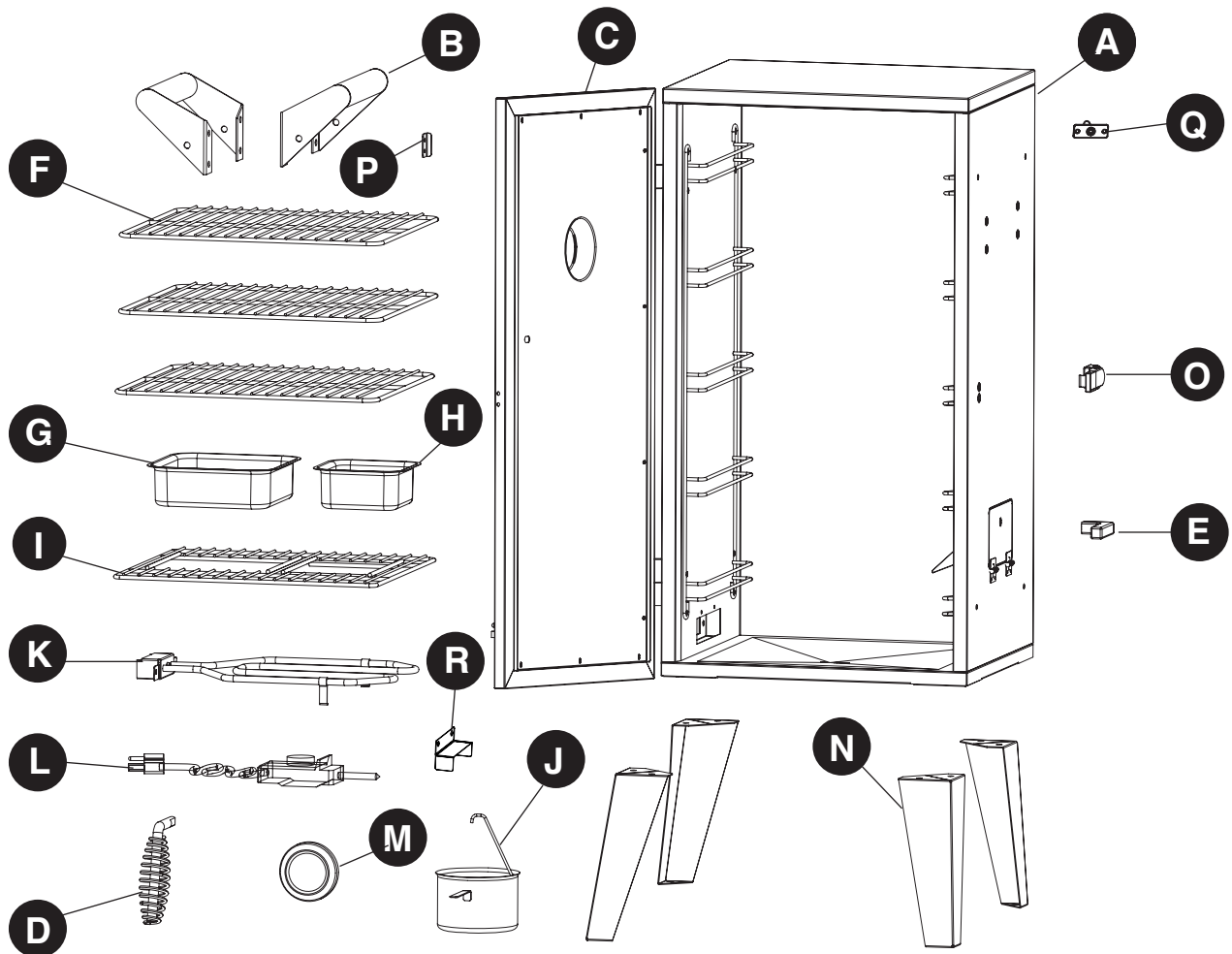
In case of fire, unplug smoker from outlet and allow fire to burn out. Do not use water to put out a fire in this or another electrical appliance.

To avoid electrical shock disconnect electric cord before cleaning smoker. Never immerse electric controller or heating element in any liquid.

To avoid the possibility of burns make sure the smoker is completely cooled before removing and/or cleaning electric controller and heating element.

DO NOT use steel wool or wire brushes to clean the inside of the appliance. Pieces can break off and touch electrical parts creating a risk of electric shock.

PACKAGE CONTENTS



PART	DESCRIPTION	QUANTITY
A	Smoker cabinet assembly	1
B	Side handle	2
C	Door assembly	1
D	Door handle assembly	1
E	Wood chip access door handle	1
F	Cooking grate	3
G	Water bowl	1
H	Wood chip box	1
I	Wood chip box support	1
J	Grease cup	1
K	Heating element assembly	1
L	Thermostat control assembly	1
M	Temperature gauge	1
N	Leg	4
O	Door latch	1
P	Door latch bracket	1
Q	Air outlet	1
R	Thermostat Shield	1

HARDWARE CONTENTS

AA



1/4"-20 x 1/2"
Screw

Qty. 16

BB



#10-24 x 1"
Screw

Qty. 2

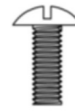
CC



#10-24
Screw

Qty. 4

DD



#10-24 x 1/2"
Screw

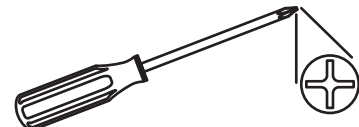
Qty. 9

PREPARATION BEFORE ASSEMBLY

Before beginning assembly of product, make sure all parts are present. Compare parts with package contents list and hardware contents above. If any part is missing or damaged, do not attempt to assemble the product. Please read and understand this entire manual before attempting to assemble, operate or install the product. If you have any questions regarding the product, call our customer service department at 1-877-447-4768, 8:30 a.m.- 4:30 p.m. CST, Monday - Friday.

Estimated Assembly Time: 15 minutes

Tools Required for Assembly (not included): Phillips Screwdriver

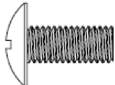


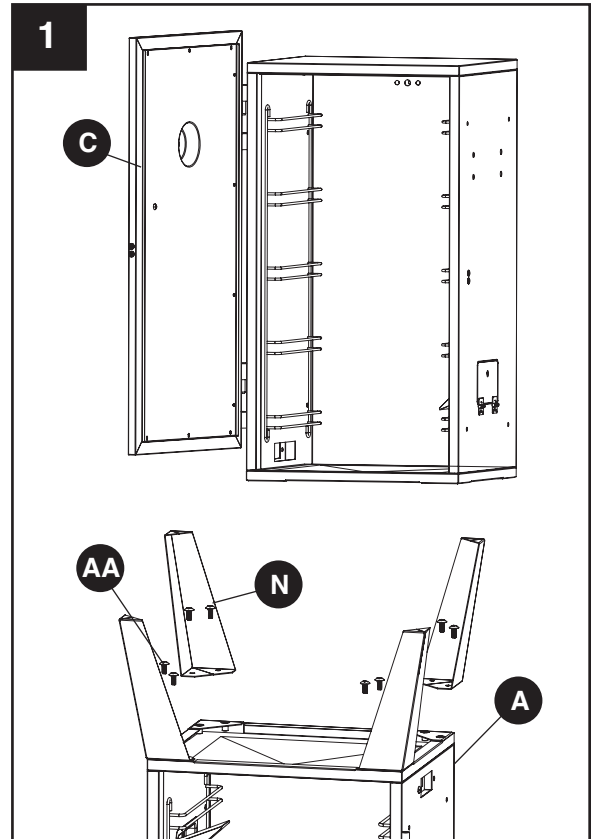
ASSEMBLY INSTRUCTIONS

- CAUTION: This unit is HEAVY! Do not attempt the first 2 steps without assistance! Remove the door assembly (C) by opening and sliding the doors up and off the hinges.**

With the assistance of a helper, turn the smoker cabinet assembly (A) upside down. Align the legs (N) on the front corners of the smoker cabinet assembly (A). Secure with 8 $\frac{1}{4}$ "-20 x $\frac{1}{2}$ " screws (AA). Tighten all bolts.

Hardware Used

AA	$\frac{1}{4}$ "-20 x $\frac{1}{2}$ " Screw		x 8
-----------	---	---	-----

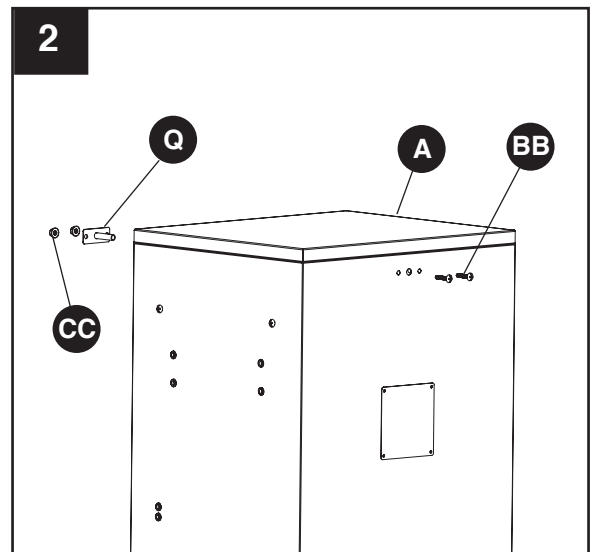


- With the assistance of a helper, stand the unit up right on its legs on a firm and level surface. Insert the tube of the air outlet (Q) through the inside of smoker cabinet assembly (A) and attach using 2 #10-24 x 1" screws (BB) and 2 #10-24 nuts (CC).

Hardware Used

BB	#10-24 x 1" Screw		x 2
-----------	----------------------	---	-----

CC	#10-24 Nut		x 2
-----------	------------	---	-----

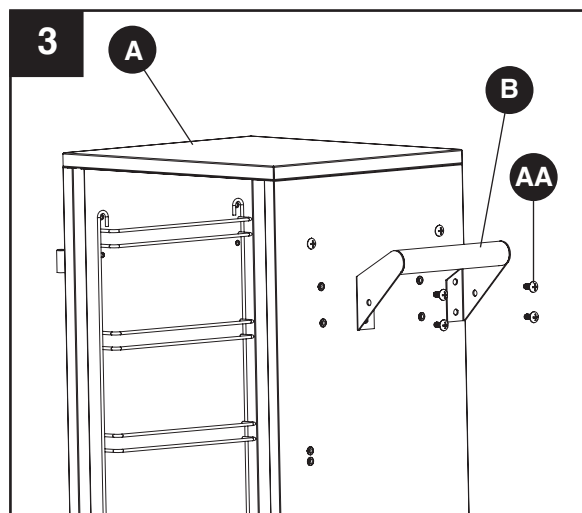
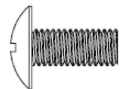


ASSEMBLY INSTRUCTIONS

3. Attach each of the side handles (B) to the smoker cabinet assembly (A) using 4 $\frac{1}{4}$ "-20 x $\frac{1}{2}$ " screws (AA) per side.

Hardware Used

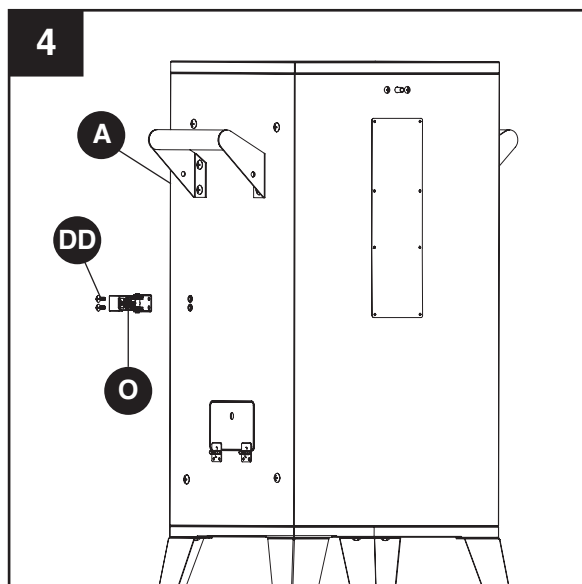
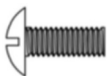
AA $\frac{1}{4}$ "-20 x $\frac{1}{2}$ " Screw x 8



4. Attach the door latch (O) to the smoker cabinet assembly (A) using 2 #10-24 x $\frac{1}{2}$ " screws (DD).

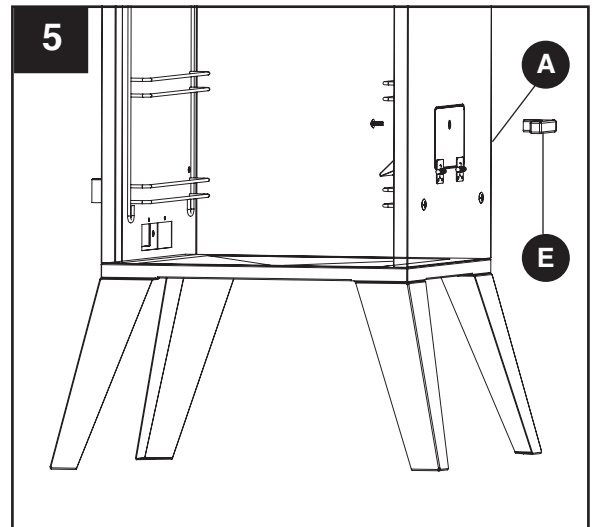
Hardware Used

DD #10-24 x $\frac{1}{2}$ " Screw x 2

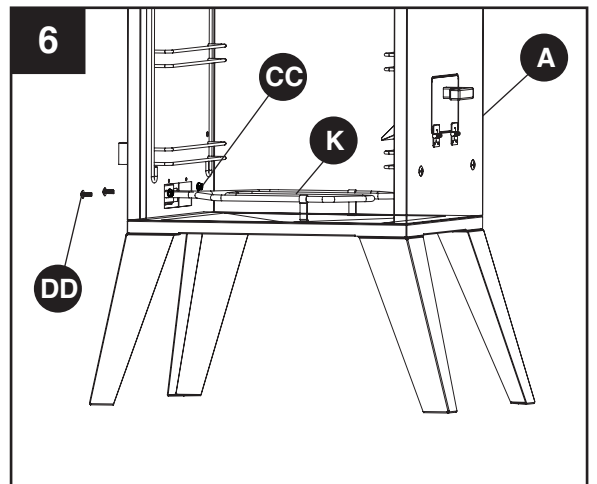


ASSEMBLY INSTRUCTIONS

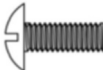

5. Remove the pre-assembled screw from the wood chip access door handle (E) and install the handle (E) on the side access door of the smoker cabinet (A).



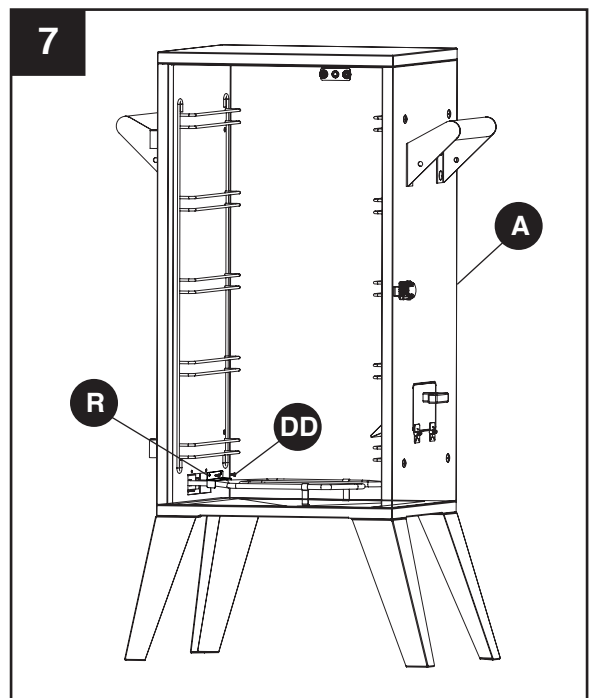
6. Attach the heating element assembly (K) to the smoker cabinet assembly (A) using 2 #10-24 x 1/2" screws (DD) and 2 #10-24 Nuts (CC).



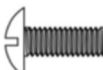
Hardware Used

DD	#10-24 x 1/2" Screw		x 2
CC	#10-24 Nut		x 2

7. Attach the thermostat shield (R) to the smoker cabinet assembly (A) using 2 #10-24*1/2" screws (DD).

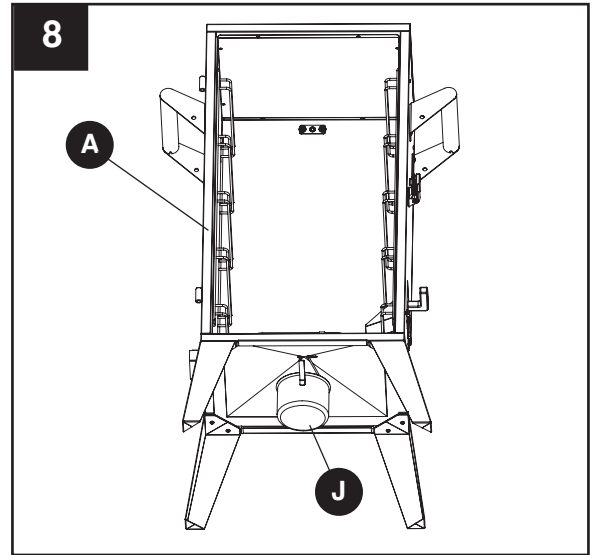


Hardware Used

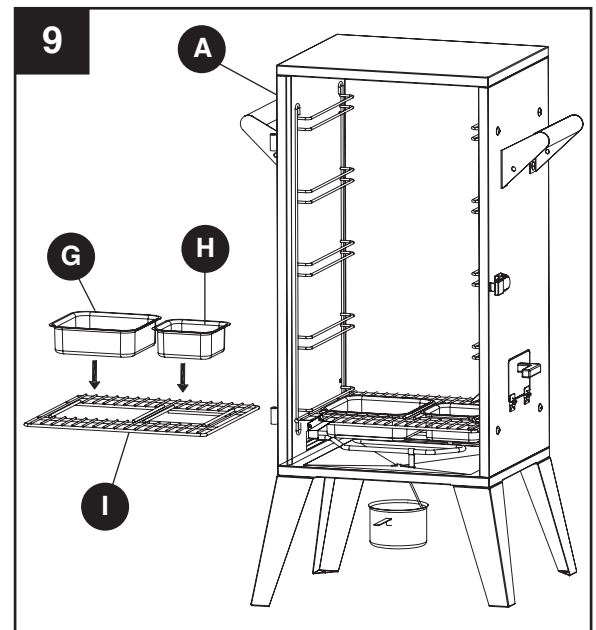
DD	#10-24 x 1/2" Screw		x 2
-----------	------------------------	---	-----

ASSEMBLY INSTRUCTIONS

8. Hang the grease cup (J) to the bottom of the smoker cabinet assembly (A).

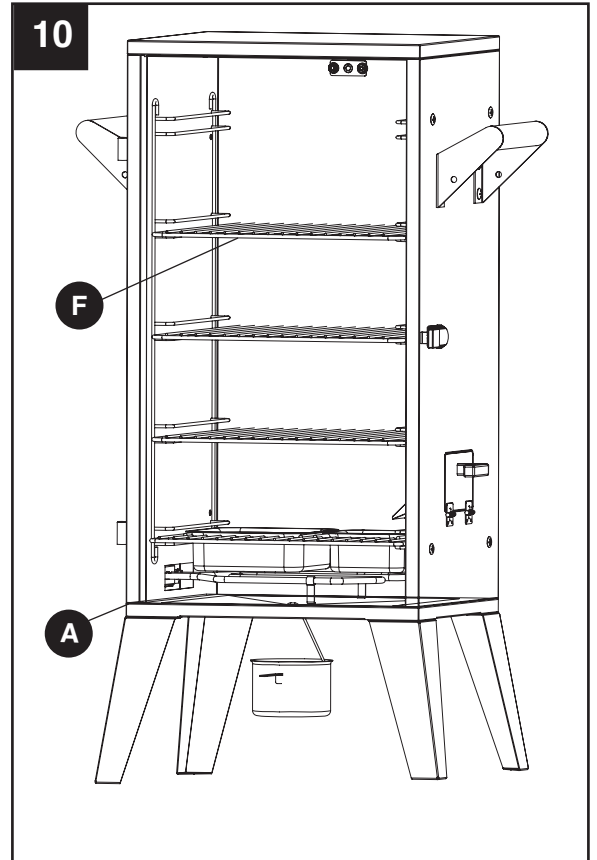


9. Place water bowl (G) and wood chip box (H) on the wood chip box support (I). Slide the wood chip box support (I) onto the bottom rails of the pre-installed wire supports.

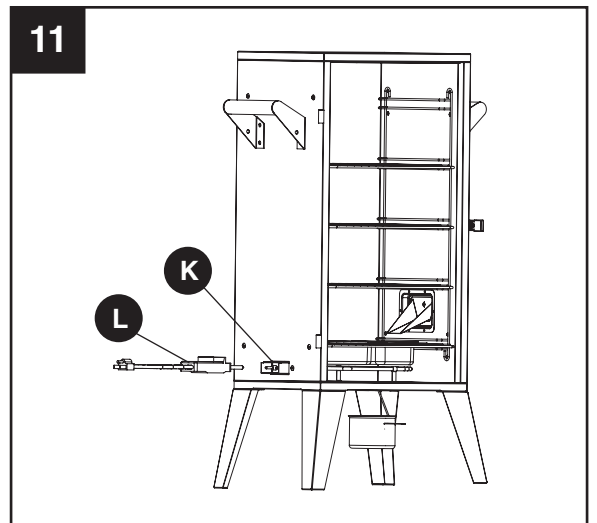


ASSEMBLY INSTRUCTIONS

10. Insert cooking grates (F) on pre-installed wire supports inside the smoker cabinet assembly (A).



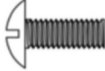
11. Firmly insert the thermostat control assembly (L) into the external housing of the heating element assembly (K).

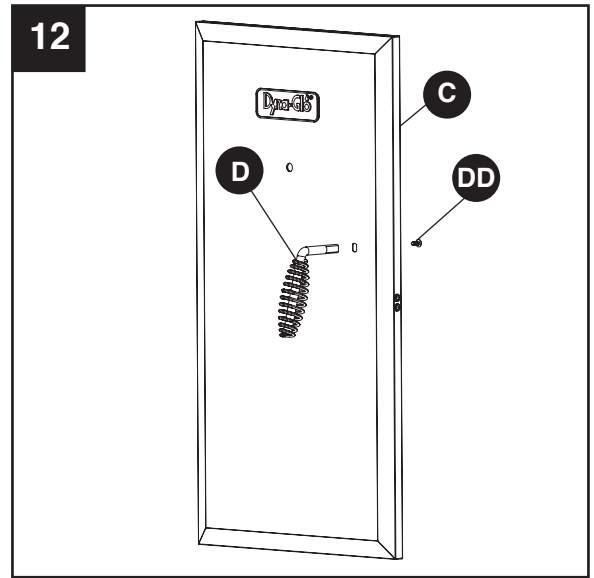


ASSEMBLY INSTRUCTIONS

12. Attach the door handle assembly (D) to the door assembly (C) using 1 #10-24 x 1/2" screw (DD).

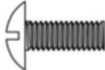
Hardware Used

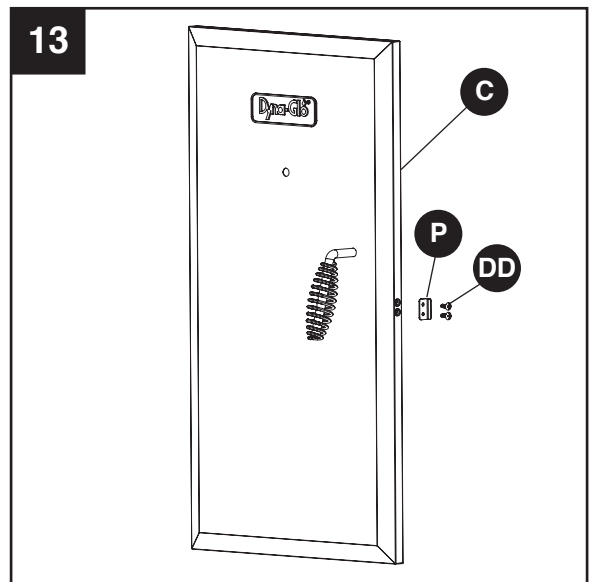
DD #10-24 x 1/2"
Screw  x 1



13. Attach the door latch bracket (P) to the door assembly (C) using 2 #10-24 x 1/2" screws (DD).

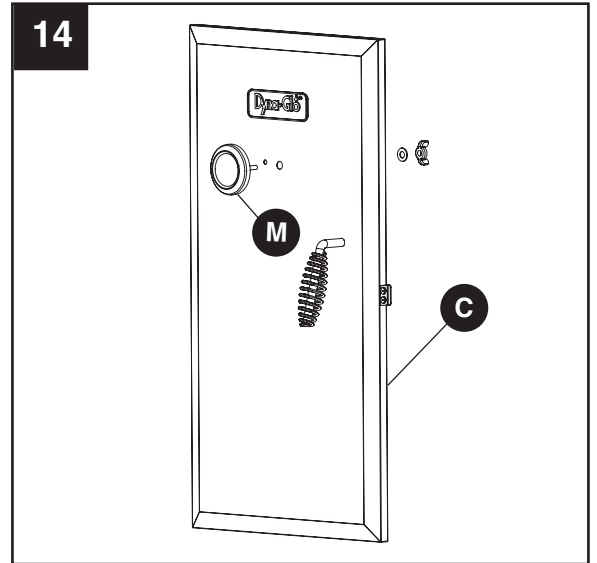
Hardware Used

DD #10-24 x 1/2"
Screw  x 2

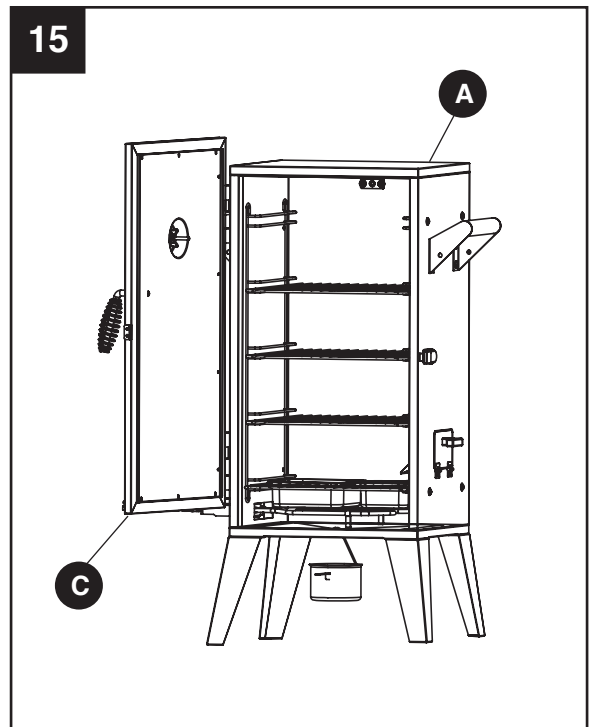


ASSEMBLY INSTRUCTIONS

14. Remove the pre-installed washer and nut from the temperature gauge (M) and insert the probe through the middle hole of the door assembly (C). Secure with pre-assembled washer and nut.



15. Attach the door assembly (C) to the smoker cabinet assembly (A).



OPERATING INSTRUCTIONS

READ ALL INSTRUCTIONS PRIOR TO USING THE SMOKER FOR THE FIRST TIME

Before Initial Use:

Remove all packaging, hang tags, plastic straps, and sales stickers if present. Do not use sharp tools.

Wash cooking grates with warm, soapy water, rinse and allow to completely dry before placing them back into the smoker.

Prior to initial use, it is important to “season” your smoker. Seasoning helps eliminate potential factory residue that occurs during production and also enhances flavoring, durability and overall performance. Refer to Page 19 for instructions on how to season the smoker

Before Each Use:

READ ALL INSTRUCTIONS PRIOR TO USING THE SMOKER

- The smoker must be on a level, stable, noncombustible surface in an area clear of combustible material, including long or dry grass.
- Avoid moving the smoker over bumpy or uneven surfaces. Damage to the smoker may occur as a result.
- To prevent household circuit breakers from tripping, keep electric smoker controls and cord connections dry and do not use other electrical products on the same circuit.
- Make sure the grease tray, wood chip box and water bowl are clean and empty and placed back into the smoker according to the instructions.
- Lightly coat each cooking grate with vegetable oil or vegetable oil spray, to prevent foods from sticking to the grates during cooking.
- **DO NOT** cover the cooking grates with metal foil.

⚠ WARNING ⚠

Failure to follow all manufacturer’s instructions could result in serious personal injury and/or property damage.

Use care when operating your smoker.

To avoid possible flare-ups or grease fires, clean and empty the water bowl and grease pan before use.

Read and follow all the information and safeguards in this product guide before attempting to assemble or operating this smoker.

⚠ CAUTION ⚠

- **Do not use sharp or pointed tools to clean smoker.**
- **Do not use abrasive oven cleaners, steel wool or metal brushes to clean porcelain grates or smoker body. They will damage the finish.**
- **Replace damaged part(s) only with Dyna-Glo certified replacement parts. Do not attempt to repair damaged parts.**

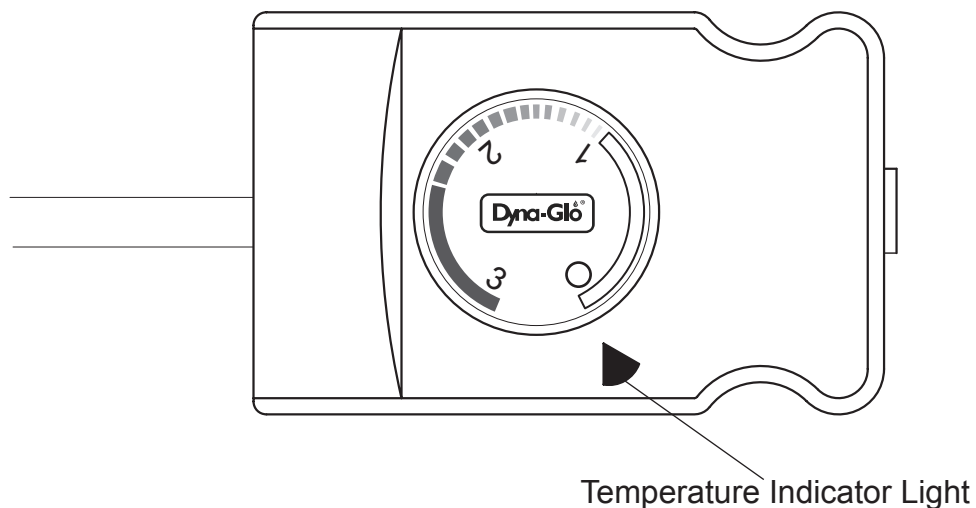
OPERATING INSTRUCTIONS

Safety Guidelines

- Refer to the “Troubleshooting Section”, on Pages 24 and 25, for operational problems.
- **DO NOT** open the smoker door while operating, unless it is necessary. Opening the door will allow heat to escape and prolong the cooking time.
- **DO NOT USE CHARCOAL.** This appliance is not designed for use with charcoal and a fire will result if charcoal is used during operation. The fire will create an unsafe condition and damage the smoker.
- **Wood Chips** must be used to create the smoke and flavor.
- In order to maintain optimal performance, cleaning the smoker after each use is highly recommended. Wait until the smoker has completely cooled before cleaning. Refer to the Care and Maintenance section on Page 23.

Control Dial Operating Instructions

- The probe of the temperature control dial must be properly inserted into the external housing of the heating element and the dial should be set to the O (OFF) position before plugging the cord into an electrical (GFI) outlet. Refer to assembly instructions on Page 14 for inserting the thermostat control.



O - Off

1 - Low Temperature Setting

2 - Medium Temperature Setting

3 - High Temperature Setting

NOTE: Always leave the water bowl in place while operating the smoker. If additional water is needed during the cooking process, carefully pour water into the drip pan opening. **DO NOT** remove the water bowl to add water. Avoid splashing water onto the heating element. Serious damage to the heating element could result, along with flare-ups and electrical failure.

OPERATING INSTRUCTIONS

Seasoning the Smoker (Before Initial Use)

To season your smoker, follow these steps WITHOUT the use of food:

1. Place desired flavoring woods in wood chip box and fill to $\frac{3}{4}$ full. DO NOT put water in water bowl.
2. With the smoker door closed, turn the control dial to 3 (High) and maintain this burner setting for 2 hours.
3. Once seasoning is complete, your smoker's interior will have a durable, seasoned coating.
4. Allow the smoker completely cool, before cleaning out the wood chip box.

⚠ CAUTION ⚠

The smoker becomes HOT during use. Use heat resistant gloves while accessing the inside of the smoker.

Cooking with the Smoker:

Turn the control dial clockwise (show clockwise icon) to set the desired temperature. The dial can be turned to any position between 1 (Low) and 3 (High). Turn the dial up (to increase the temperature) or down (to decrease the temperature), as needed, to fine-tune the desired temperature.

NOTE: The burner will not turn on until the dial is set to "1" (Low). The indicator light, near the control dial, will turn on and remain on until the smoker temperature has reached the desired setting. Once the desired temperature is reached, the indicator light will turn off. The thermostat will continue regulating the desired temperature by automatically cycling the burner on and off during use. The internal temperature may fluctuate plus or minus 10-15°F (5-8°C) as the appliance cycles to maintain correct cooking temperature setting. Refer to Page 22 for more information on cooking temperatures.

Using the Wood Chip Box:

The wood chip box is designed to provide a sustainable amount of smoke and flavor during the cooking process. Fill the box at least $\frac{1}{2}$ to $\frac{3}{4}$ full with desired wood chips or wood pellets. Anything more or less than this amount may not create the appropriate amount of smoke for adding flavor. Refer to Page 21 for the types of wood chips that are recommended for various foods. To add more wood chips or pellets during the cooking process, simply open the side access door and place a small handful of chips or pellets on the loader. Closing the door will allow the chips or pellets to fall into the wood chip box. Do not use wood chunks or charcoal. NOTE: The use of wood chips or wood pellets is not required during the cooking process.

NOTE: Always operate the smoker with the wood chip box in place – regardless of whether or not wood chips are used.

Using the Water Bowl:

The use of water in the bowl is not required, but the water bowl MUST be in place during operation. To use the bowl, fill to at least $\frac{3}{4}$ full with warm water, before turning on the smoker. Cold water may prolong the cooking process. Do not overfill the water bowl. Doing so may cause the water to splash inside the smoker. **IMPORTANT:** Always cook with both the water bowl and wood chip box in place, regardless of whether or not they are filled.

⚠ CAUTION ⚠

- Do not use sharp or pointed tools to clean smoker.
- Do not use abrasive oven cleaners, steel wool or metal brushes to clean porcelain grates or smoker body. They will damage the finish.
- Replace damaged part(s) only with Dyna-Glo certified replacement parts. Do not attempt to repair damaged parts.

- In order to maintain optimal performance, cleaning the smoker after each use is highly recommended.
- Wait until the smoker has completely cooled before cleaning.
- Plastic or bristle brushes may be used for cleaning stubborn stains.
- **DO NOT** use steel wool or wire brushes. Pieces can break off and touch electrical parts creating a risk of electric shock.
- Clean the controller casing and heating element by wiping with a damp cloth. Use a mild detergent.
- Completely dry the controller casing and heating element before use. Failure to do so, may cause damage to the controller and prevent the smoker from working properly.
- Clean the cooking grates with warm soapy water or with a water & baking soda solution. Non-abrasive scouring powder can be used for stubborn stains.
- Clean the grease tray and water bowl with a damp cloth and warm soapy water. Allow the liquids inside the water bowl and grease tray to cool completely before cleaning.
- Avoid cleaning the cooking surfaces, while the smoker is still hot.
- Follow all warnings and safety precautions before removing meat from smoker or preparing the unit for storage. Please see Page 3 for important warnings and safeguards.

TIPS ON SMOKING

Pairing wood chips with a specific type of food will depend on the preferences of the user. This page can be used as a general guideline for acquiring the ideal flavor.

- Hardwoods such as hickory, pecan, apple, cherry or mesquite typically burn slower and produce more smoke over longer periods of time.
- To prolong the burn cycle for wood chips, pre-soak them in a separate bowl of water for at least 30 minutes, and/or wrap the chips in perforated aluminum foil.
- Most smoke flavoring occurs within the first hour of cooking. **Adding wood chips after the first hour is typically not necessary unless extra smoke flavoring is desired.**

Here's a list of the most popular smoking woods and a little information about each.

Type of Wood	Suggested Food	Comments
Apple	All meats	Mild and sweet flavor with a slight hint of fruity flavor. Each species of apple wood should offer a slightly different flavor. Apple smoke produces an attractive browning effect.
Almond	All meats	Produces a sweeter smoke with a natural nutty flavor.
Ash	Fish and red meat	Very light flavor.
Citrus	Pork and chicken	Lemon and orange wood produce a light but fruity flavor.
Cherry	Pork and Beef	Light and fruity flavor.
Fruitwood	Pork, poultry and fish	Wood such as peach, pear and plum produce a mild but sweet smoke with a hint of fruity flavor.
Grapevine	Poultry, game and lamb	Grapevine wood produces a lot of smoke. A little wood goes a long way. It produces a tart flavor that has a hint of fruit.
Hickory	Pork and beef	Hickory produces a very strong flavor so it is recommended to start using only a little amount.
Maple	Pork and Poultry	Light and sweet.
Mesquite	Beef, chicken and fish	This wood burns very hot so be aware. Much like hickory, mesquite produces a strong flavor.
Oak	Red meats, game, ribs and fish	Another wood that produces a heavy smoke. Start slow with this wood.
Pecan	Ribs and red meat	Produces a light smoke that offers a sweet and nutty flavor.

SUGGESTED SMOKING AND MEAT TEMPERATURES

Please understand that these are only guidelines. All smokers are different. Take into consideration other variables such as weather conditions, wind, ambient temperature, etc. and things can vary by as much as an hour or more.

Learn to tell doneness visually as well as with temperature and time and you will be a much better chef with the smoker.

For more information on food safety call: USDA Meat and Poultry Hotline at 1-888-MPHOTLINE (888-674-6854) In Washington, DC
 Or E-mail: mpholine.fsis@usda.gov
 Or visit the USDA website at www.fsis.usda.gov

	Suggested Smoking Temperatures	Safe Minimum Food Temperatures
Meat, Poultry, Fish		
Beef, veal and lamb (pieces and whole cuts)		
Medium-rare	225°F (107.2°C)	145°F (63°C)
Medium	225°F (107.2°C)	160°F (71°C)
Well done	225°F (107.2°C)	170°F (77°C)
Pork (ham, pork loin, ribs)		
Pork (pieces and whole cuts)	225 - 240°F (107.2 - 115.6°C)	160°F (71°C)
Ground meat and meat mixtures (burgers, sausages, meatballs, meatloaf, casseroles and mechanically tenderized beef)		
Beef, veal (including mechanically tenderized), lamb and pork	250 - 275°F (121 - 135°C)	160°F (71°C)
Poultry (chicken & turkey)	250 - 275°F (121 - 135°C)	165°F (74°C)
Poultry (chicken, turkey, duck)		
Pieces	250°F (121°C)	165°F (74°C)
Whole	250°F (74°C)	165°F (74°C)
Seafood		
Fish	225 - 240°F (107.2 - 115.6°C)	158°F (70°C)
Shellfish (shrimp, lobster, crab, scallops, clams, mussels and oysters)	225 - 240°F (107.2 - 115.6°C)	165°F (74°C)
Since it is difficult to use a food thermometer to check the temperature of shellfish, discard any that do not open when cooked.		

	Suggested Smoking Temperatures	Safe Minimum Food Temperatures
Game		
Chops, steaks and roasts (deer, elk, moose, caribou/reindeer, antelope and pronghorn)		
Well done	225°F (107.2°C)	170°F (77°C)
Large Game		
Bear, bison, musk ox walrus, etc.	250 - 300°F (121 - 149°C)	165°F (74°C)
Small game		
Rabbit, muskrat, beaver, etc.	225 - 240°F (107.2 - 115.6°C)	165°F (74°C)
Ground Meat		
Ground meat and meat mixtures	250 - 300°F (121 - 149°C)	165°F (74°C)
Ground venison and sausage	250 - 300°F (121 - 149°C)	165°F (74°C)
Game birds/waterfowl (wild turkey, duck, goose, partridge and pheasant)		
Whole	250°F (121°C)	165°F (74°C)
Breasts and roasts	250°F (121°C)	165°F (74°C)
Thighs, wings	250°F (121°C)	165°F (74°C)
Stuffing (cooked alone or in a bird)	250°F (121°C)	165°F (74°C)

CARE AND MAINTENANCE

AFTER USE SAFETY AND MAINTENANCE

⚠ WARNING ⚠

- Use caution when lifting and moving the smoker to avoid strain injuries. Two people are recommended to lift or move the smoker.
- **DO NOT** store the smoker near gasoline or other combustible liquids or where combustible vapors may be present. Keep the area around the smoker clear and free of combustible materials and vapors.
- **DO NOT** store this smoker in an area accessible to children or pets. Store the smoker in a dry, protected location.
- **DO NOT** allow anyone to conduct activities around the smoker following use until it has cooled. It is hot during operation and remains hot for a period of time following use.
- **DO NOT** leave hot ashes unattended until the smoker cools completely.
- The smoker becomes extremely hot – allow the smoker to cool completely before handling. Allow the smoker to cool before removing and cleaning the grease pan.
- Dispose of cold ashes by wrapping them in heavy-duty aluminum foil and putting them in a noncombustible container. If you must dispose of the ashes in less time than it takes for them to completely cool, remove the wood chip box from the smoker with heat resistant gloves, place the ashes in heavy-duty foil and soak them completely with water before disposing of them in a noncombustible container. Always use protective oven mitts or heat resistant gloves when accessing the inside of the smoker during and after use.

⚠ CAUTION ⚠

All care and maintenance procedures are to be performed while the smoker is turned off, unplugged and cooled. Always perform maintenance by a qualified service person.

To clean the inside and outside of the smoker cabinet, simply use a damp cloth. Spray-washing with a water hose is not recommended. Moisture should be wiped away and not allowed to stand inside or on top of the smoker. Once cleaned, you may prefer to lightly coat the interior of the smoker cabinet with cooking oil or cooking spray.

If rust is present on the exterior surface of the smoker, clean the area with steel wool or emery cloth and use heavy-duty, heat-resistant paint.

NEVER apply additional paint to the interior of the smoker.

TROUBLESHOOTING

If you have any questions regarding the product, please call customer service at 1-877-447-4768, 8:30 a.m. – 4:30 p.m., CST, Monday – Friday.

PROBLEM	POSSIBLE CAUSE	CORRECTIVE ACTION
<p>No heat from smoker</p>	<ul style="list-style-type: none"> • Smoker is turned off • No power • Faulty controller or heating element 	<ul style="list-style-type: none"> • Turn on the smoker • Check for any tripped circuit breakers and reset the breaker, if needed • Check for faulty or tripped GFI (Ground Fault Interrupter) at the outlet. Reset the GFI or replace, if needed. • If breaker or GFI continues to trip, use a different outlet on a separate breaker circuit. • Try another working appliance in the outlet. • Replace controller or heating element
<p>Circuit breaker trips or fuse blows</p>	<ul style="list-style-type: none"> • Another appliance is plugged into the same circuit as the smoker (too many appliances using the same circuit). • Moisture or water in the controller, cord connection or outlet connection • Damaged or frayed cord • Damaged electrical connection 	<ul style="list-style-type: none"> • Find another outlet on a separate circuit • Keep all connections dry and free from moisture. DO NOT use this appliance in the rain or when snow is falling. • Turn the smoker off, unplug the smoker and check the cord for damage. Replace, if needed. • Replace controller
<p>Smoker does not generate enough heat</p>	<ul style="list-style-type: none"> • Smoker was not pre-heated sufficiently or temperature was set too low • Door left open or unlatched • Improper extension cord 	<ul style="list-style-type: none"> • Pre-heat for 15-20 minutes. Increase temperature settings via controller • Close the door and latch the door before use. • Use cord rated for outdoor use at 15 amps
<p>Very little or no smoke coming from smoker</p>	<ul style="list-style-type: none"> • Not enough wood chips • Wood chips are too small 	<ul style="list-style-type: none"> • Check wood chip level. Wood chip box should be at least $\frac{3}{4}$ full • To generate proper amounts of smoke, wood chips should be at least 1"-3" (2.5cm-7.6cm) and no thicker than $\frac{1}{4}$" (0.6cm). Wood shavings and wood chunks are not recommended. DO NOT use charcoal

TROUBLESHOOTING

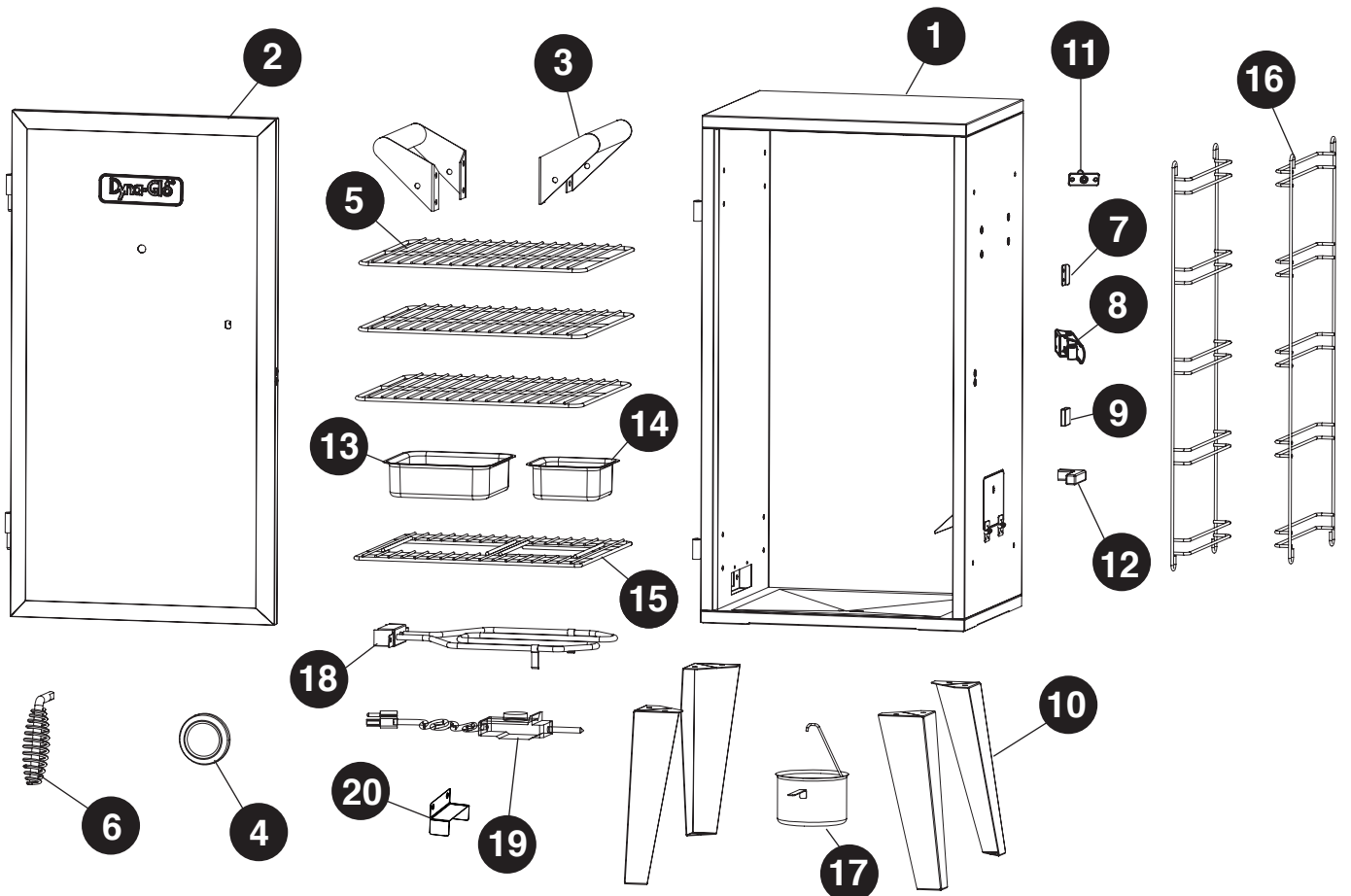
PROBLEM	POSSIBLE CAUSE	CORRECTIVE ACTION
Flare-ups	<ul style="list-style-type: none">• Meat contains excessive amounts of fat• Cooking temperature is too high• Grease build-up	<ul style="list-style-type: none">• Trim the appropriate amount of fat before cooking• Lower the temperature as needed• Clean the smoker, according to the instructions
Persistent grease fire	<ul style="list-style-type: none">• Too much build-up on grease drip tray and/or grease cup	<ul style="list-style-type: none">• Turn off the smoker and open the door to allow the fire to burn out. DO NOT use water to extinguish the fire. Personal injury my result. Allow the smoker to completely cool before cleaning the tray and cup.

REPLACEMENT PARTS LIST

For replacement parts, call our customer service department at 1-877-447-4768, 8:30 a.m. - 4:30 p.m. CST, Monday - Friday or e-mail us at customerservice@ghpgroupinc.com.

PART	DESCRIPTION	PART #
1	Smoker Cabinet Assembly	70 - 01 - 375
2	Door Assembly with Logo (No Temp Gauge)	70 - 01 - 370
3	Side Handle (L/R)	70 - 01 - 373
4	Temp Gauge Assembly*	70 - 01 - 372
5	Cooking Grates	70 - 01 - 374
6	Door Handle Assembly	70 - 01 - 371
7	Door Latch Bracket	70 - 01 - 352
8	Door Latch Handle (without Sleeve)	70 - 01 - 353
9	Door Latch Handle Sleeve	70 - 01 - 356
10	Leg	70 - 01 - 379

PART	DESCRIPTION	PART #
11	Air Outlet Tube Assembly	70 - 01 - 381
12	Wood Chip Access Door Handle*	70 - 01 - 383
13	Water Bowl	70 - 01 - 427
14	Wood Chip Box	70 - 01 - 428
15	Water Bowl & Wood Chip Box Support	70 - 01 - 376
16	Cooking Grate Support	70 - 01 - 382
17	Grease Cup Assembly	70 - 01 - 380
18	Heating Element Assembly	70 - 01 - 377
19	Thermostat Control Assembly	70 - 01 - 378
20	Thermostat Shield	70 - 01 - 424
n/a	Hardware Pack	70 - 09 - 506
n/a	Instruction Manual	70 - 10 - 560



WARRANTY

This Vertical Electric Analog Smoker is warranted against broken or damaged parts at the time of purchase. The burner element is warranted for 3 years. All other parts carry a one (1) year limited warranty except the water bowl and wood chip box, which is warranted to be free of defects for 90 days. Paint is warranted to be free of defects for 90 days except for rust, which may appear after repeated use.

This warranty does not cover damage or issues related to neglect, abuse or modifications to the appliance. Repair labor is not covered.

All parts that meet the warranty requirements will be shipped at no charge via the discretion of GHP Group Inc. (ground shipments, US Mail or Parcel Post ONLY). Any special handling charges (i.e. Second Day, Overnight, etc.) will be the responsibility of the consumer.

All warranty claims apply only to the original purchaser and require a proof of purchase verifying purchase date. Do not return parts to GHP address without first obtaining a return authorization number from our customer service. This service is available by calling toll free 1-877-447-4768, 8:30 a.m. – 4:30 p.m. CST, Monday – Friday.

Some states do not allow the exclusion or limitation of incidental or consequential damages or limitations on how long an implied warranty lasts, so the above limitations or exclusions may not apply to you. This warranty gives you specific legal rights, and you may have other rights that vary from state to state.

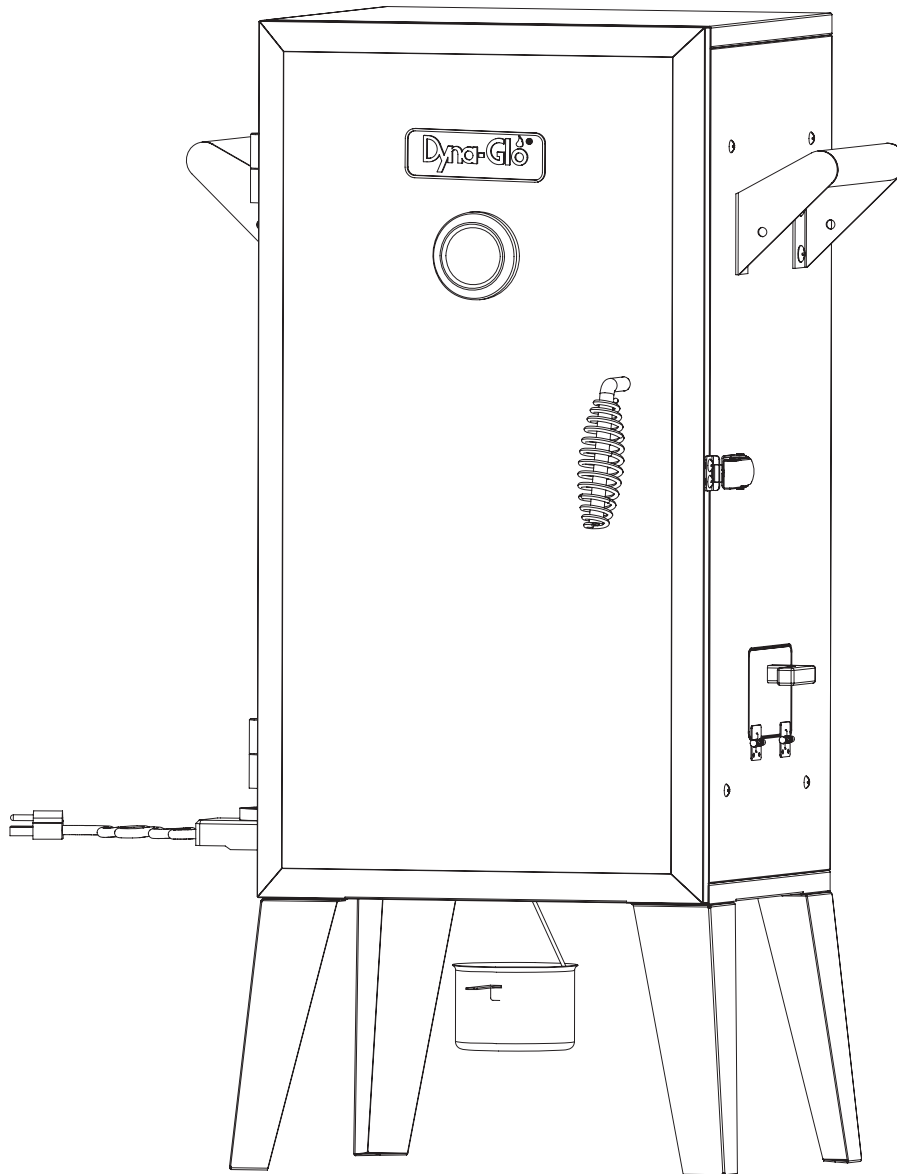
GHP Group Inc.
6440 W. Howard Street
Niles, IL, USA
60714-3302

Item name: Vertical Electric Analog Smoker
Model #: DGU505BAE / DGU505BAE-D
Rated Power: 1,500W/Hr

Dyna-Glò[®]

Fumoir Numérique Électrique Vertical

MODÈLE #DGU505BAE / DGU505BAE-D



C US

UL 1026 - sixième édition,
2012 Appareils ménagers
pour cuisson et appareils de
service alimentaire

CSA C22.2 No. 64-10
(Réaffirmé 2014) Appareils
ménagers pour cuisson et
appareils à cuisson liquide

**POUR USAGE
EXTÉRIEUR SEULEMENT**
Utiliser seulement avec un
interrupteur GFI - Classe A
CIDT (Circuit Interrupteur
de terre)

JOIGNEZ VOTRE REÇU ICI

Numéro de série _____ Date d'achat _____



Des questions, des problèmes, des pièces manquantes? Avant de retourner l'article au détaillant, appelez notre service à la clientèle au 1-877-447-4768, 08:30-16 heures 30, HNC, du lundi - vendredi ou par e-mail à customerservice@ghpgroupinc.com.



NUL BESOIN DE REVENIR AU MAGASIN

Questions sur l'assemblage?

Besoin d'information sur des pièces?

Le produit est couvert par la garantie des fabricants?

Composez le numéro sans frais : 1 877 447-4768

du lundi au vendredi de 8 h 30 h à 16 h 30, HNC

Conservez ce Manuel du propriétaire et votre preuve d'achat en cas de besoin

Pour nous permettre de vous aider

Fournissez les renseignements ci-après :

Date d'achat

Lieu d'achat

Numéro de modèle

N° de série du produit

LE NUMÉRO DE MODÈLE ET LE NUMÉRO DE SÉRIE DU PRODUIT FIGURENT SUR
L'ÉTIQUETTE INDIQUANT LE DÉBIT CALORIFIQUE DE VOTRE PRODUIT.

TABLE DES MATIÈRES

Consignes de sécurité	30
Contenu de l'emballage	35
Quincaillerie incluse	36
Préparation avant l'assemblage.....	36
Instructions pour l'assemblage	37
Mode d'emploi	44
Conseils sur le tabagisme	48
Entretien	50
Dépannage	51
Liste des pièces de rechange	53
Garantie	55

Assembleur / installateur: Ce manuel d'instructions contient des informations importantes nécessaires à l'assemblage correct et l'utilisation sécuritaire de cet appareil. Lisez et suivez tous les avertissements et les instructions avant d'assembler et d'utiliser cet appareil. **Laissez ces instructions au consommateur.**

Consommateur / utilisateur: Suivez tous les avertissements et les instructions pour l'utilisation de cet appareil.

CONSERVER CES INSTRUCTIONS

CONSIGNES DE SÉCURITÉ

Assurez-vous de lire et de comprendre l'intégralité de ce manuel avant de tenter d'assembler, d'utiliser ou d'installer le produit. Si vous avez des questions concernant ce produit, veuillez téléphoner au service à la clientèle au 1-877-447-4768, 08:30-16 heures 30, HNC, du lundi - vendredi.

AVERTISSEMENT

- Lors de l'utilisation d'appareils électrique, des précautions de base devraient toujours être observées afin de réduire des risques de feu, choc électrique et blessures.

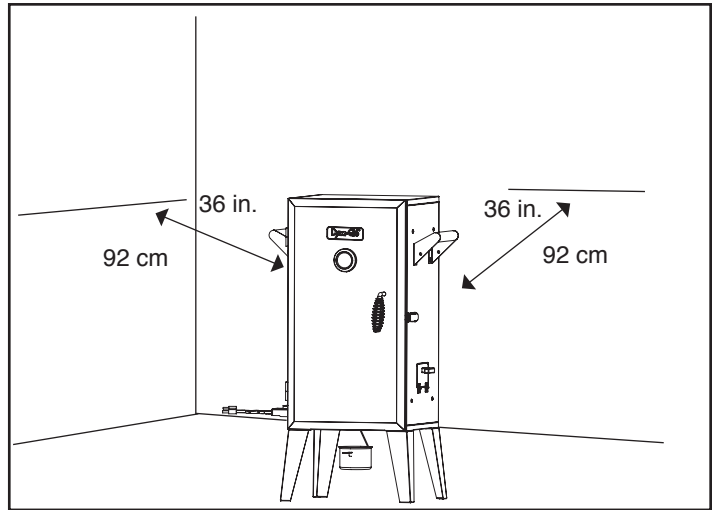
DANGER

- Le refus suivre ces instructions pourrait causer un feu ou risqué de bruleur qui pourrait causer l'endommagement de propriété, blessures personnes ou danger de mort.

PRÉCAUTIONS IMPORTANTES

LIRE TOUTES LES INSTRUCTIONS AVANT D'UTILISER CE FUMOIR

- **NE PAS** utiliser ce produit pour autre chose que sa raison principale. Il n'est PAS destiné à l'usage commercial. Il n'est PAS destiné à être installé ou utiliser sur ou dans un véhicule récréatif ou/et bateau.
- **NE PAS** opérer ce fumoir avec un fil électrique endommagé ou une fiche ou réceptacle ou si le fumoir tombe en panne, a été échappé ou a été endommagé de quelque façon.
- **NE PAS** utiliser le fumoir à moins de 10 pieds (3 m) d'une piscine, flaque d'eau, étang ou tout autre cours d'eau.
- Garder le fumoir et le bouton de contrôle électrique secs et hors de portée de la pluie
- Un espace minimum sécuritaire de 36 pouces, (92 cm) de matériel combustible est requis à l'avant, les côtés et derrière Il est très important de toujours maintenir un espace sécuritaire pour tout combustible.
- Lors de l'utilisation de bois de saveur, ajouter suffisamment de bois au début du processus de cuisson pour éviter d'en ajouter plus pendant la cuisson. D'ajouter du bois lors de l'opération du fumoir pourrait éclabousser de l'eau bouillante et causer des blessures graves.
- Vérifier le niveau d'eau minimum à toutes les 2 heures. Un grésillement de son peut indiquer un niveau d'eau trop bas. Un son de crépitement indique un niveau d'eau trop bas. Suivre les instructions dans ce manuel pour ajouter l'eau lors de l'opération (voir page 44).
- **NE PAS** utiliser l'appareil lors d'orages électriques
- Brancher seulement dans des prises avec un fil de terre
- Utiliser seulement avec un interrupteur GFI - Classe A - CIDT (Circuit Interrupteur de terre)
- S'assurer que le fil électrique est placé dans un endroit où il ne peut être débranché accidentellement.
- Pour déconnecter le fumoir, fermer le fumoir en tournant le bouton de contrôle à O (OFF), et débranchant la fiche de la prise de courant.
- **NE PAS** obstruer l'entrée d'air pour l'appareil
- **NE PAS** utiliser de papier aluminium sur les grilles de cuisson. Cela pourrait endommager le fumoir.
- **NE PAS** utiliser cet appareil comme chauffe-électrique.
- **NE PAS** utiliser de briquettes de charbon dans cet appareil. Cet appareil n'est pas conçu pour l'utilisation de briquettes et un feu pourrait faire éruption si utiliser pendant l'opération. Le feu créera des conditions non-sécuritaires et endommagera le fumoir.
- Être prudent lors de l'ouverture de la porte du fumoir lors de l'opération. Garder vos mains, visage et corps à bonne distance de la vapeur ou de flambées. **NE PAS** respirer la fumée.
- Si vous devez jeter les cendres avant leur refroidissement, utiliser des mitaines ou gants de four isolés et imbiber les cendres complètement avec de l'eau avant de les jeter dans un contenant non combustible.
- **NE PAS** porter de vêtements amples lors de l'utilisation du fumoir. Attacher les cheveux longs lors de l'opération du fumoir.
- TOUJOURS porter des souliers fermés lors de l'opération du fumoir.
- **NE PAS** toucher des surfaces chaudes. Utiliser les poignées et boutons.
- Afin d'éviter des chocs électriques, ne pas immerger les fils, fiches ou le boîtier de contrôle du thermostat dans de l'eau ou autre liquide.



CONSIGNES DE SÉCURITÉ

- Une supervision assidue est requise lorsque l'appareil est utilisé près ou par des enfants.
- Débrancher de la prise lorsque l'appareil n'est pas utilisé ou avant de nettoyer. Attendre que l'appareil soit complètement refroidi avant de remettre ou détacher des pièces.
- **NE PAS** opérer d'appareil si le fil électrique est endommagé ou si l'appareil est en panne ou a été endommagé de quelque façon. Retourner l'appareil à un réparateur de service autorisé pour examen, réparation ou ajustement.
- L'usage de pièces accessoires n'est pas recommandé par le fabricant et pourrait causer des blessures.
- **NE PAS** utiliser à l'intérieur.
- **NE PAS** laisser le fil électrique pendre du bord d'une table ou comptoir ou toucher les surfaces chaudes.
- **NE PAS** placer près ou sur un élément à gaz ou brûleur électrique ou dans un four chauffé.
- Une attention particulière est recommandée lors du déménagement d'un appareil contenant de l'huile chaude ou autre liquide chaud.
- Toujours mettre la connexion du fil électrique à l'appareil en premier ensuite brancher la fiche au bout du fil électrique dans la prise de courant murale. Pour déconnecter, tourner le bouton de contrôle à la position O (OFF) et ensuite déconnecter la fiche de la prise murale.
- **NE PAS** utiliser l'appareil pour autre usage.
- Utiliser de la prudence extrême lorsque vous enlever les grilles ou disposer de la graisse chaude.
- **NE PAS** nettoyer avec des tampons à récurer métalliques. Des petites particules peuvent se détacher du tampon et toucher des pièces électriques, créant un risque de choc électrique.
- Du carburant, tel que briquettes de charbon, sont interdites d'usage avec cet appareil.
- Utiliser seulement avec une prise de courant avec un fil de terre.
- S'assurer que les poignées sont assemblées et bien installées. Voir les instructions à ce sujet aux pages 37-38.
- **SAUVEGARDER CES INSTRUCTIONS.**

AVERTISSEMENT

- **NE PAS** utiliser des rallonges électriques de gauge 16 ou 18. Ceci pourrait causer des dommages à l'installation électrique et/ou causer un feu.

L'UTILISATION D'UNE RALLONGE N'EST PAS RECOMMANDÉE.

LIRE TOUTES LES INSTRUCTIONS, AVANT D'UTILISER UNE RALLONGE AVEC CE FUMOIR.

- Utiliser une fiche sécurisée avec fil de terre à usage EXTÉRIEUR, à taux de 15 ampères ou plus, approuvée par UL, marquée avec un W-A et une étiquette indiquant "Approprié pour usage d'appareils extérieurs."
- Utiliser une rallonge exacte autant que possible. Ne pas connecter plus de 2 rallonges ensemble.
- **NE PAS** laisser le fil électrique pendre du bord de la table ou autres items où il pourrait être tiré par des enfants ou causer une chute accidentelle.

CONSIGNES DE SÉCURITÉ

Circuit Interrupteur de terre

- Depuis 1971, le code électrique national (CÈN) requiert des circuits interrupteurs de terre sur tout circuit extérieur.
- Si votre résidence a été bâtie avant 1971, vérifiez avec un électricien qualifié afin de déterminer si un circuit interrupteur de terre existe.
- Ne pas utiliser cet appareil si le circuit n'a pas la protection **Classe A - CIDT (Circuit Interrupteur de terre)**
- Ne pas brancher cet appareil dans un circuit intérieur.

SÉCURITÉ GÉNÉRALE

LIRE TOUTES LES INSTRUCTIONS, AVANT D'UTILISER CE FUMOIR

- Cet appareil est pour usage extérieur seulement et strictement dans un endroit bien ventilé. **NE PAS** opérer sous un toit, dans un bâtiment, garage ou tout autre lieu fermé ou sous une construction plafonnée.
- Avant chaque usage, vérifier qu'aucune feuille sèche ou débris sont sous l'appareil.
- Garder un extincteur d'incendie à portée de main en tout temps.
- Toujours débrancher le fumoir lorsqu'il n'est pas en usage.
- Permettre au fumoir et ses compartiments de refroidir complètement avant de nettoyer ou entretien régulier.
- **NE PAS** utiliser d'eau ou vaporisateur liquide pour nettoyer le fumoir sans avoir, au préalable, débrancher l'unité.
- Permettre au fumoir de se refroidir à 115° F (45° C) avant de déménager ou entreposer. Faire attention lorsque vous levez et déménager l'appareil afin d'éviter un froissement dorsal ou une blessure au dos.
- **NE PAS** déménager l'appareil lorsqu'il est en usage.
- Lorsqu'il n'est pas en usage, le fumoir devrait être protégé des éléments de la nature. Permettre au fumoir de complètement se refroidir avant de remettre le couvercle. Entreposer cet appareil dans un endroit sec et bien protéger autant que possible.
- Il est recommandé par le fabricant que des pièces d'ajouts ne soient pas utilisées avec cet appareil. Ceci pourrait entraîner des blessures ou dommages de propriété.

! AVERTISSEMENT !

Afin d'éviter des blessures graves:

- Lors de la cuisson, le fumoir doit être sur une surface égale et stable, ininflammable dans un endroit loin de matériaux combustibles, incluant de l'herbe sèche ou longue.
- L'usage d'alcool, médicaments prescrits ou sans ordonnance peuvent altérer les décisions de l'utilisateur lors de l'assemblage et lors de l'opération de cet appareil.
- **NE PAS** déménager cet appareil lors d'usage.
- **NE PAS** entreposer ou utiliser cet appareil près de la gazoline ou autre liquide inflammable ou là où il pourrait s'y trouver des vapeurs combustibles.
- Le fumoir devrait seulement être utilisé dans des endroits bien aérés.
- **NE PAS** utiliser cet appareil comme chaufferette.
- **NE PAS** laisser cet appareil sans supervision lors d'usage. Garder les enfants et animaux loin de l'appareil en tout temps.
- Cet appareil sera chaud pendant et après usage. Utiliser des mitaines à four ou gants pour vous protéger des surfaces chaudes ou éclaboussures de liquides de cuisson.

! AVERTISSEMENT !

PROPOSITION DE LA CALIFORNIE 65

- 1. Les produits combustibles secondaires lors de l'usage de ce produit contiennent des chimiques connus de l'état de la Californie pouvant causer le cancer, des défauts de naissance ou autre dommage reproductif.**
- 2. Ce produit contient des chimiques, incluant du plomb et des composants de plomb, connu de l'état de la Californie causant le cancer, des défauts de naissance et autres dommages reproductifs.**

Lavez vos mains après usage de ce produit.

! DANGER !

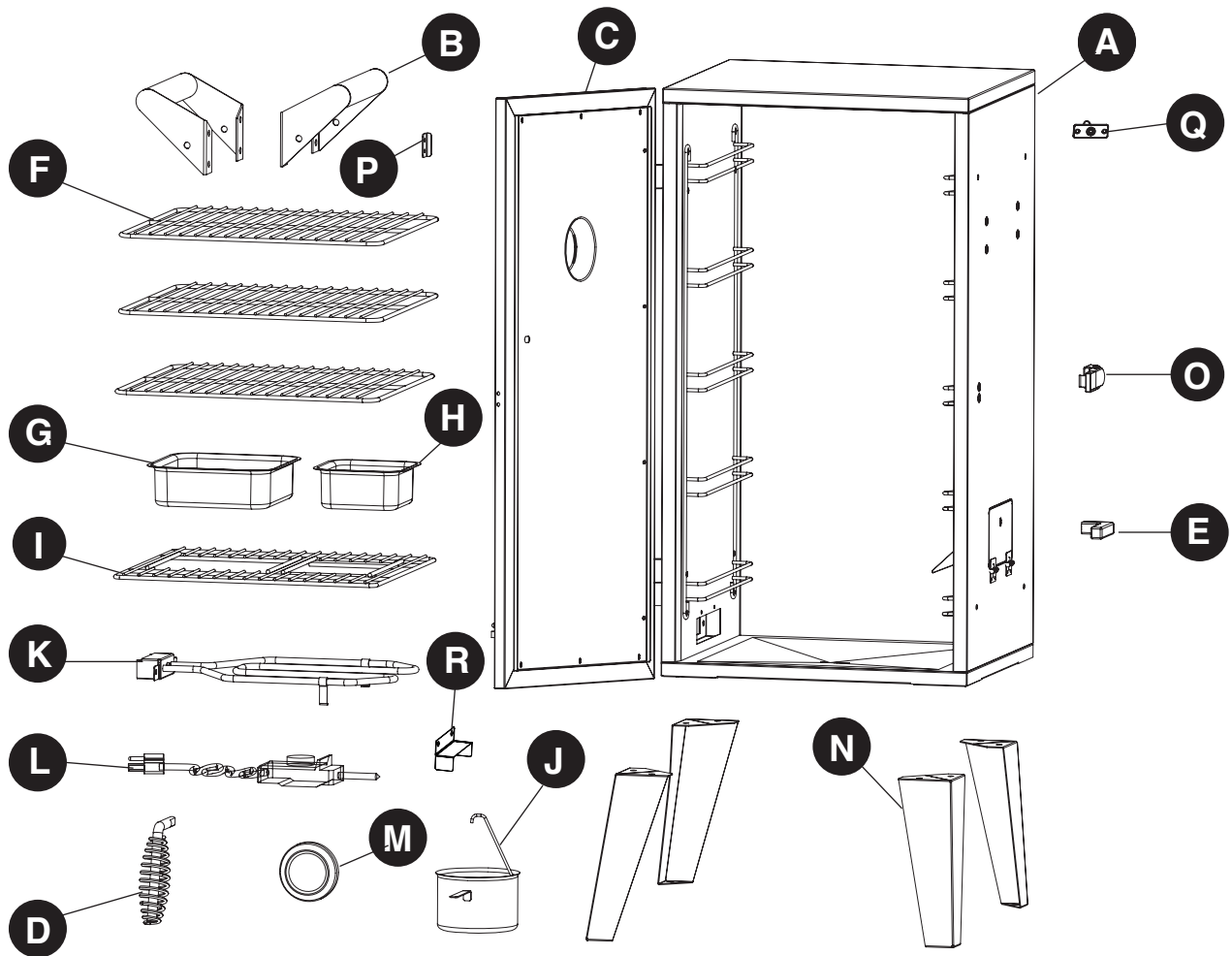
En cas de feu, débrancher le fumoir de la prise de courant et permettez au feu de se brûler. N'utiliser pas d'eau pour éteindre le feu dans ce ou tout autre appareil électrique.

Afin d'éviter un choc électrique, débrancher la fiche de la prise avant de nettoyer le fumoir. Ne jamais immerger le boîtier du contrôle électrique ou l'élément de chaleur dans un liquide.

Afin d'éviter la possibilité de brûlures, s'assurer que le fumoir est complètement refroidi avant d'enlever et/ou nettoyer le boîtier du contrôle électrique et de l'élément de chaleur.

NE PAS utiliser de la laine d'acier ou brosse de fer pour nettoyer l'intérieur de l'appareil. Des pièces peuvent se casser ou tomber ou toucher des pièces électriques créant un risque de choc électrique.

CONTENU DE L'EMBALLAGE



PIECE	DESCRIPTION	QTE	PIECE	DESCRIPTION	QTE
A	Assemblage du cabinet du fumoir	1	J	Plateau à graisse	1
B	Poignée de derrière	2	K	Assemblage de l'élément de chaleur	1
C	Assemblage de la porte	1	L	Assemblage du contrôle du thermostat	1
D	Poignée de porte	1	M	Indicateur de température	1
E	Poignée de porte d'accès aux éclisses de bois	1	N	Pied	4
F	Grilles de cuisson	3	O	Loquet de porte	1
G	Bol d'eau	1	P	Crochet du loquet de porte	1
H	Boîte pour éclisses de bois	1	Q	Entrée d'air	1
I	Support pour la boîte d'éclisses	1	R	Blindage du thermostat	1

QUINCAILLERIE INCLUSE

AA



1/4"-20 x 1/2"
Vis

Qte. 16

BB



#10-24 x 1"
Vis

Qte. 2

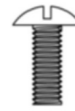
CC



#10-24
Écrou

Qte. 4

DD



#10-24 x 1/2"
Vis

Qte. 9

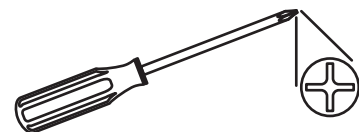
PRÉPARATION AVANT L'ASSEMBLAGE

Avant de commencer l'assemblage du produit, assurez-vous d'avoir toutes les pièces. Comparez les pièces dans l'emballage avec la liste des pièces de la page précédente et la quincaillerie indiquée ci-dessus. S'il y a des pièces manquantes ou endommagées, ne tentez pas d'assembler le produit. Communiquez avec le service à la clientèle pour obtenir des pièces de rechange. Si vous avez des questions concernant ce produit, veuillez téléphoner au service à la clientèle au 1-877-447-4768, 08:30-16 heures 30, HNC, du lundi - vendredi.

Temps d'assemblage approximatif : 15 minutes

Outils nécessaires pour l'assemblage et la vérification des fuites (non inclus) :

Tournevis Phillips

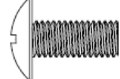


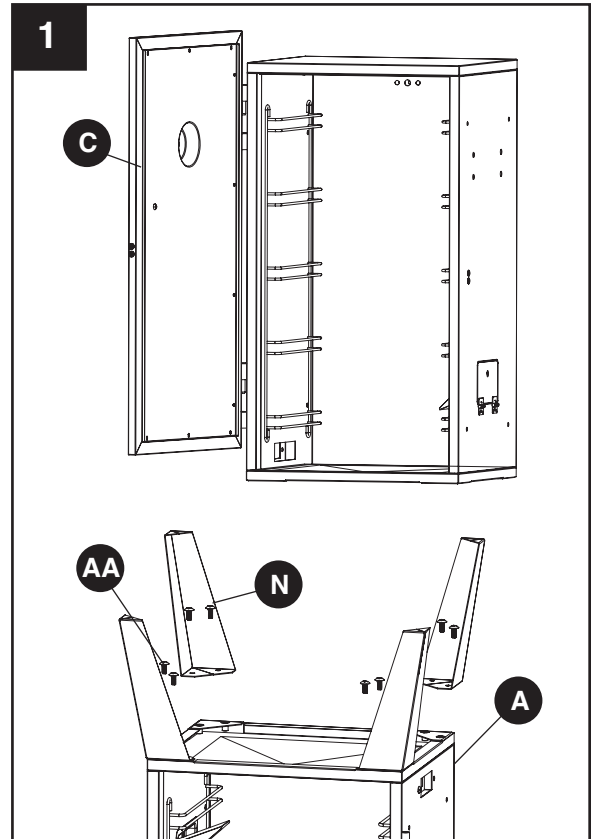
INSTRUCTIONS POUR L'ASSEMBLAGE

1. **ATTENTION: Cette pièce est LOURDE! Ne pas compléter les 2 premières étapes sans aide! Enlever l'assemblage de la porte (C) en ouvrant et glissant les portes par en haut et hors des pentures.**

Avec l'aide d'une autre personne, tourner le cabinet du fumoir (A) à l'envers. Aligner les pattes (N) sur les coins de devant de l'assemblage du cabinet du fumoir (A). Sécuriser avec des vis 8 $\frac{1}{4}$ "-20 x $\frac{1}{2}$ " (AA). Serrer tous les boulons.


Quincaillerie utilisée


AA $\frac{1}{4}$ "-20 x $\frac{1}{2}$ "
Vis  x 8

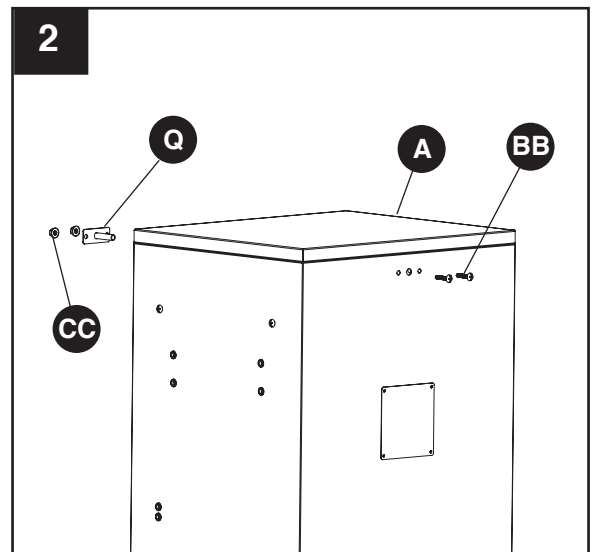


2. Avec l'assistance d'une autre personne, mettre l'unité debout sur ses pattes sur une surface égale et stable. Insérer le tube pour l'entrée d'air (Q) en passant par l'intérieur vers l'extérieur de l'assemblage du cabinet du fumoir (A) et attacher en utilisant 2 vis #10-24 x 1" (BB) et 2 écrous #10-24 (CC).

Quincaillerie utilisée

BB #10-24 x 1"
Vis  x 2

CC #10-24 Écrou  x 2

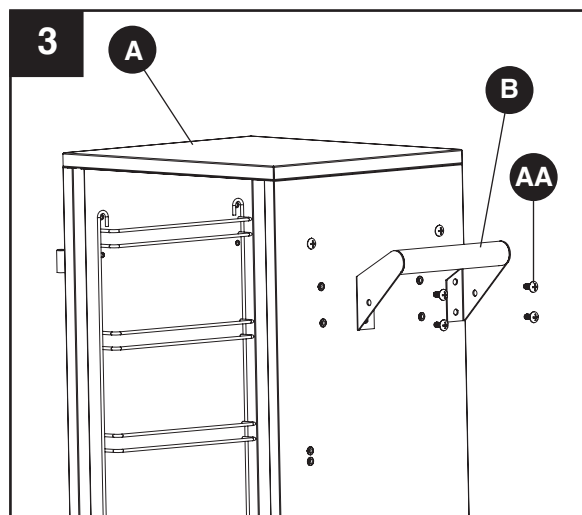
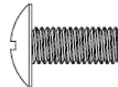


INSTRUCTIONS POUR L'ASSEMBLAGE

3. Attacher chacune des poignées de côté (B) à l'assemblage du cabinet du fumoir (A) en utilisant 4 visses $\frac{1}{4}$ "-20 x $\frac{1}{2}$ " (AA) par côté.

Quincaillerie utilisée

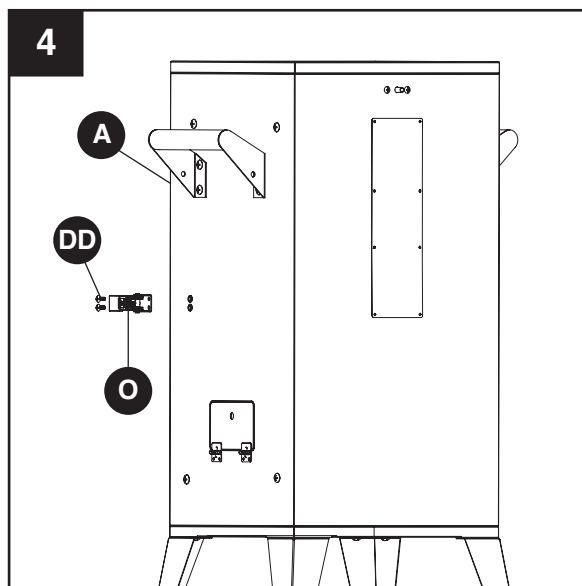
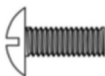
AA $\frac{1}{4}$ "-20 x $\frac{1}{2}$ "
Vis x 8



4. Attacher le loquat de la porte (O) à l'assemblage du cabinet du fumoir (A) en utilisant 2 visses #10-24 x $\frac{1}{2}$ " (DD).

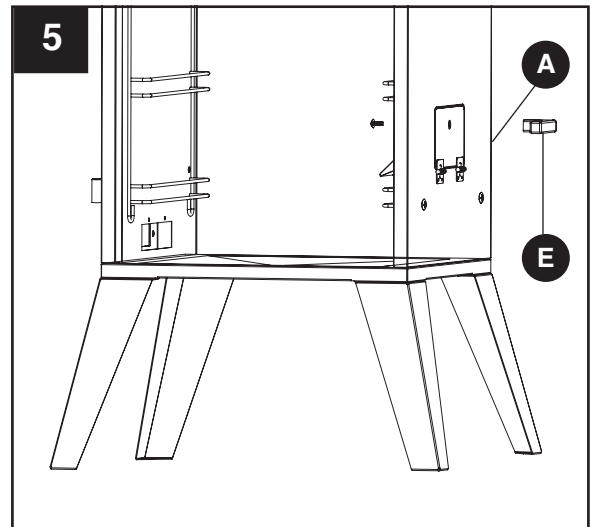
Quincaillerie utilisée

DD #10-24 x $\frac{1}{2}$ "
Vis x 2

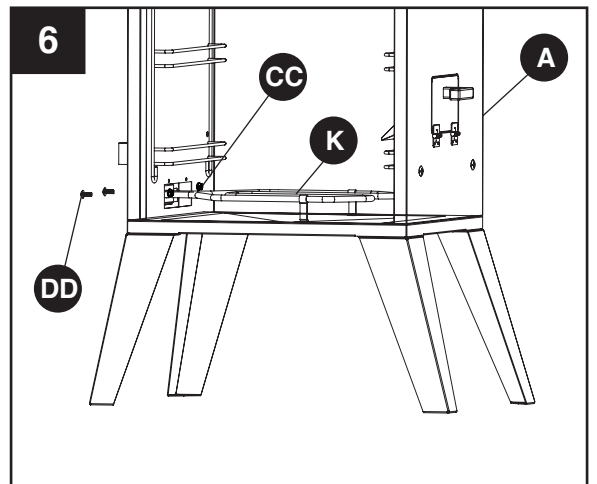


INSTRUCTIONS POUR L'ASSEMBLAGE

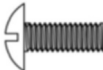

5. Dévisser les vis préassemblées de la poignée de porte pour les éclisses de bois (E) et installer la poignée (E) sur la porte pour éclisses de bois sur le côté de la porte d'accès du cabinet du fumoir (A).



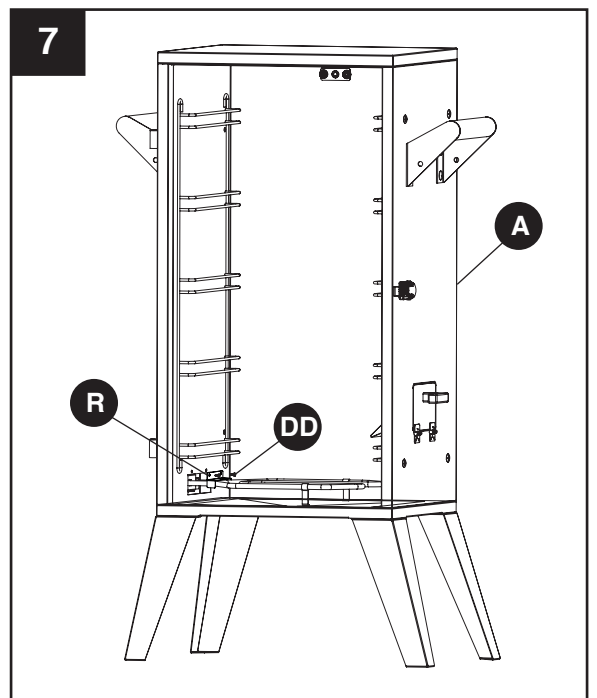
6. Attacher les pièces de chauffage (K) à l'assemblage du cabinet du fumoir (A) en utilisant 2 x /10-24 x 1/2" visses (DD) et 2 écrous #10-24 (CC).



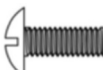
Quincaillerie utilisée

DD	#10-24 x 1/2" Vis		x 2
CC	#10-24 Écrou		x 2

7. Attacher le blindage du thermostat (R) pour le Assemblage du cabinet du fumoir (A) en utilisant 2 #10 -24 x 1/2" vis (DD).

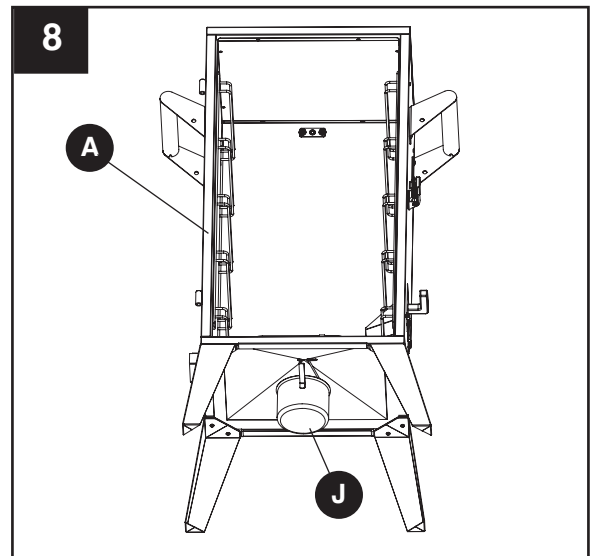


Quincaillerie utilisée

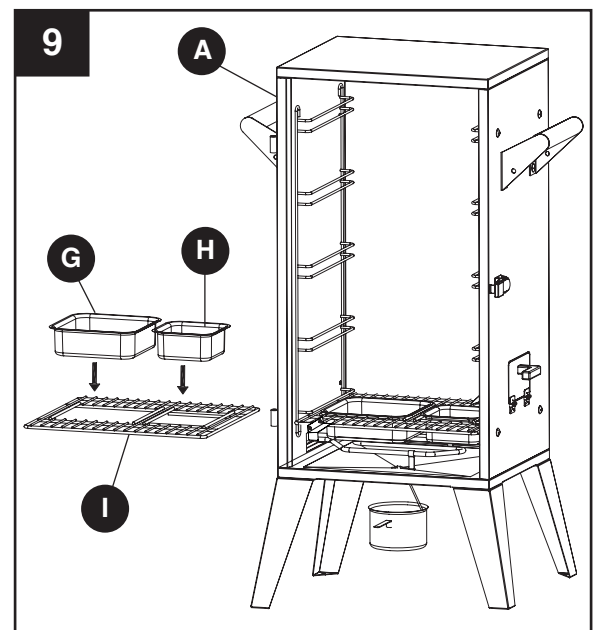
DD	#10-24 x 1/2" Vis		x 2
-----------	----------------------	---	-----

INSTRUCTIONS POUR L'ASSEMBLAGE

8. Affixer la tasse à graisse (J) au bas de l'assemblage du cabinet du fumoir (A).

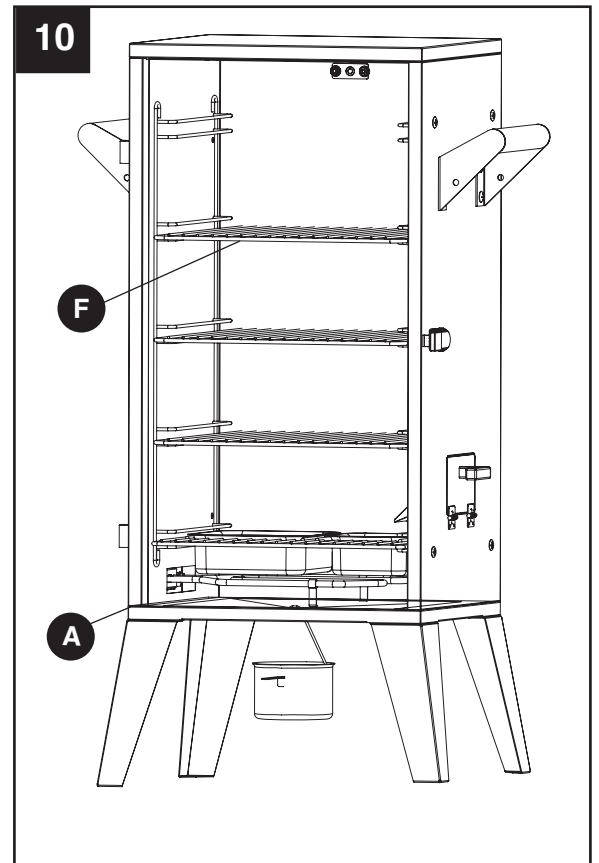


9. Placer le bol d'eau (G) et le boîtier aux éclisses de bois (H) sur le support des boîtiers (I). Glisser le support (I) sur le bas des rails des fils électriques préinstallés sur leur supports.

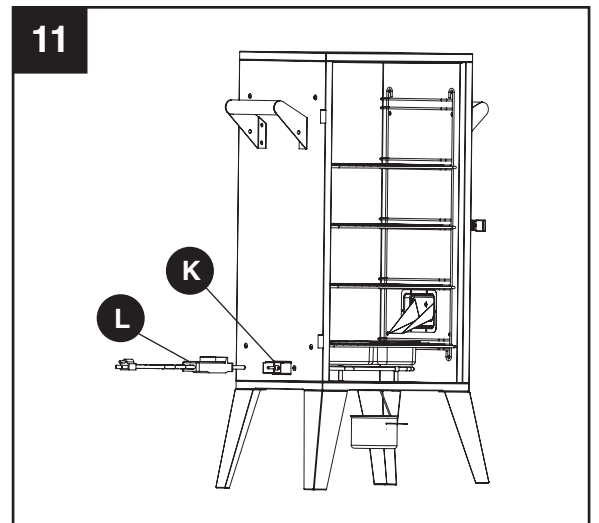


INSTRUCTIONS POUR L'ASSEMBLAGE

10. Insérer les grilles de cuisson (F) sur les supports de fils préinstallés à l'intérieur du cabinet du fumoir (A).



11. Insérer fermement l'assemblage du contrôle du thermostat (L) dans le boîtier de l'assemblage de l'élément de chaleur extérieur (K).

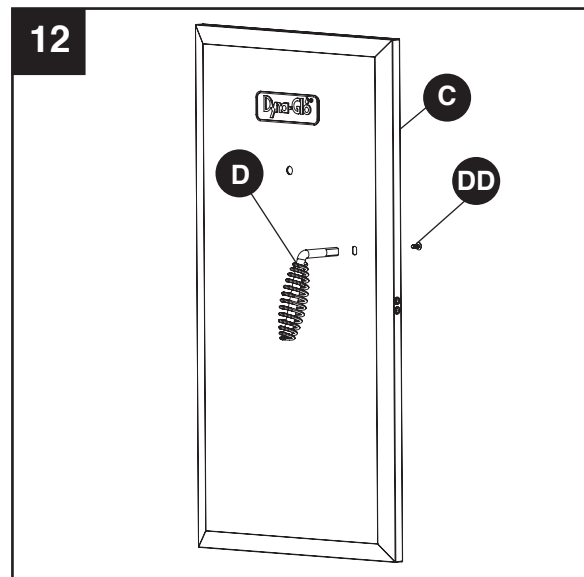
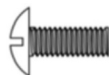


INSTRUCTIONS POUR L'ASSEMBLAGE

12. Fixer l'assemblage de la poignée de la porte (D) à l'assemblage de la porte (C) en utilisant 1 visse #10-24 x 1/2" (DD).

Quincaillerie utilisée

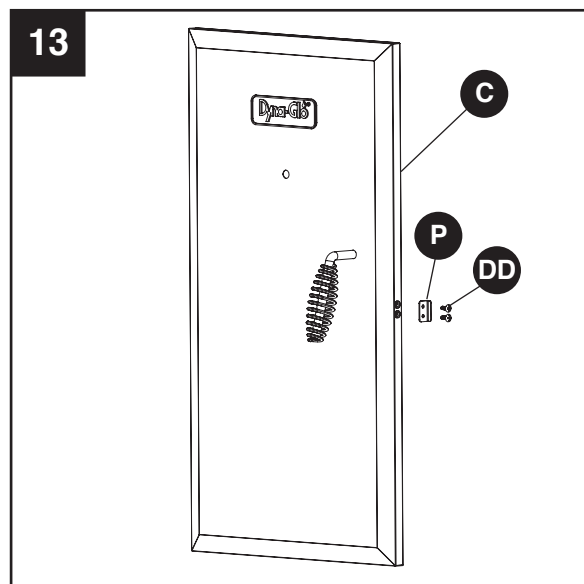
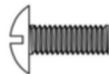
DD #10-24 x 1/2"
Vis x 1



13. Fixer le crochet du loquet (P) à l'assemblage de la porte (C) avec 2 visses #10-24 x 1/2" (DD).

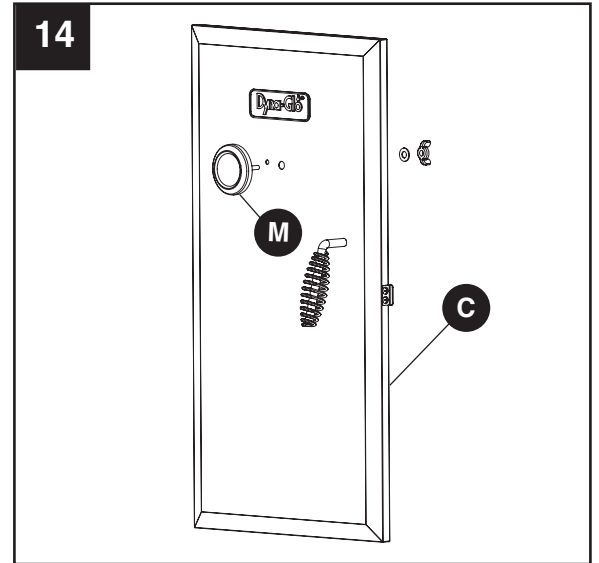
Quincaillerie utilisée

DD #10-24 x 1/2"
Vis x 2

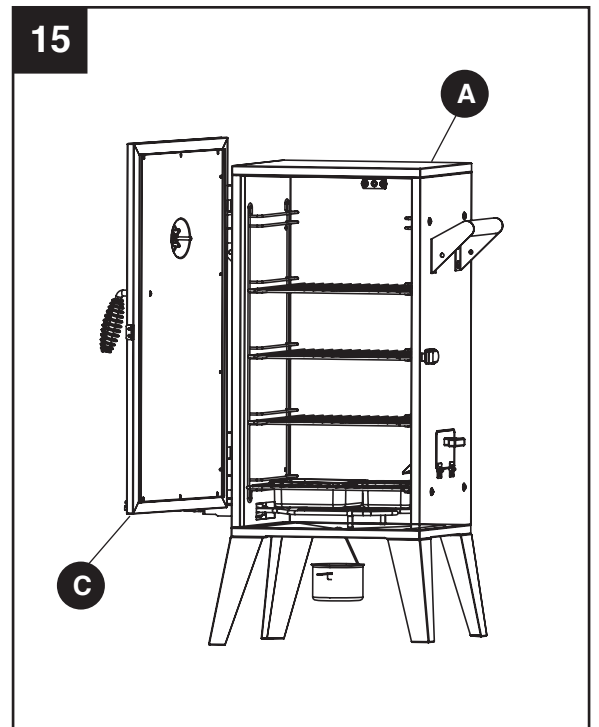


INSTRUCTIONS POUR L'ASSEMBLAGE

14. Enlever la rondelle et l'écrou préinstallés de la gauge à température (M) et insérer la sonde dans le trou du centre de l'assemblage de la porte (C). Sécuriser avec la rondelle et l'écrou préassemblés.



15. Fixer l'assemblage de la porte (C) à l'assemblage du cabinet du fumoir (A).



MODE D'EMPLOI

LIRE TOUTES LES INSTRUCTIONS AVANT D'UTILISER CE FUMOIR POUR LA PREMIÈRE FOIS

Avant la première utilisation:

Enlever tout emballage, étiquettes, sangles de plastiques et étiquettes de vente si présent. Ne pas utiliser des outils pointus ou coupants.

Laver les grilles de cuisson avec de l'eau savonnée et chaude, rincer et laisser sécher complètement avant de les remettre dans le fumoir.

Avant d'utiliser le fumoir, il est important "d'assaisonner" votre fumoir. L'assaisonnement permet d'éliminer les potentiels résidus laissés par la production de l'appareil chez le fabricant et rehausse le goût, la durabilité et la performance générale. Se référer à la page 49 pour les temps de cuisson et températures requises pour l'assaisonnement.

Avant chaque usage :

LIRE TOUTES LES INSTRUCTIONS AVANT D'UTILISER LE FUMOIR

- Le fumoir doit être sur une surface égale, stable, non combustible dans un endroit loin de tout matériel inflammable, incluant de l'herbe longue ou sèche.
- Éviter de déménager le fumoir au-dessus de surfaces inégales ou bosselées. Vous pourriez endommager le fumoir.
- Afin d'empêcher que les disjoncteurs sautent, garder les contrôles du fumoir et les connexions des fils et fiches sèches et ne pas utiliser d'autres produits électriques sur le même circuit.
- S'assurer que le plateau à graisse, la boîte à éclisses de bois et le bol d'eau sont propres et vides et remis en place dans le fumoir d'après les instructions.
- Enduire légèrement chaque grille de cuisson d'huile végétale ou aérosol d'huile végétale pour empêcher que la nourriture colle aux grilles pendant la cuisson.
- **NE PAS** couvrir les grilles de cuisson avec du papier d'aluminium.

⚠ AVERTISSEMENT ⚠

Ne pas suivre toutes les instructions du fabricant pourrait entraîner des blessures personnelles sérieuses et/ou dommages à votre propriété.

Soyez prudents lors de l'opération de votre fumoir.

Afin d'éviter des flammèches (coup de chaud) ou feux de graisse, nettoyer et vider le bol d'eau et le plateau de graisse avant d'utiliser.

Lire et suivre toutes les informations et sauvegardes de ce guide de l'utilisateur avant d'assembler ou opérer ce fumoir.

⚠ CAUTION ⚠

- **Ne pas utiliser des outils coupants ou pointus pour nettoyer le fumoir.**
- **Ne pas utiliser des nettoyants abrasifs, de la laine d'acier ou brosses de métal (fer) pour nettoyer les grilles de porcelaine ou le corps du fumoir. Ceci endommagera le fini.**
- **Remplacer les pièces défectueuses seulement avec des pièces certifiées Dyna-Glo, Ne pas tenter de réparer les parties endommagées.**

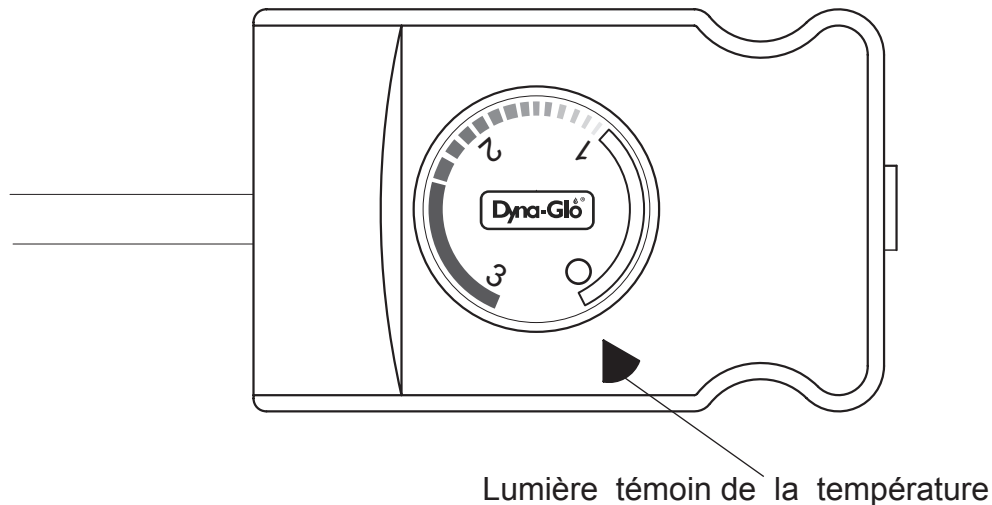
MODE D'EMPLOI

Lignes directrices de sécurité

- Se référer à la section “Dépannage” aux pages 51 et 52, pour des problèmes d’opération.
- **NE PAS** ouvrir la porte du fumoir lorsqu’il est en opération, sauf si nécessaire. Ouvrir la porte causera un échappement de chaleur et une prolongation de cuisson.
- **NE PAS UTILISER DES BRIQUETTES DE CHARBON.** Cet appareil n’est pas conçu pour usage avec des briquettes de charbon et le feu prendra si les briquettes sont utilisées pendant l’opération. Le feu créera des conditions instable et dangereuse et endommagera le fumoir.
- **Des éclisses de bois** doivent être utilisées pour créer la fumée et le fumet.
- Afin de maintenir une performance supérieure, le nettoyage après chaque usage est très recommandé. Attendez que le fumoir soit complètement refroidi avant de nettoyer. Se référer à la section ‘Soin et entretien’ à la page 50.

Instructions d’opération du bouton de contrôle

- La sonde pour le contrôle de la température doit être bien installée dans le boîtier extérieur de l’élément de chaleur et le bouton de contrôle devrait être en position ‘Fermé’ O (Off) avant de brancher le fil électrique et la fiche dans une prise de courant CIDT. Se référer aux instructions d’assemblage à la page 41 pour l’insertion du contrôle du thermostat.



O - Fermé

1 – Position pour température basse

2 – Position pour température moyenne

3 – Position pour température haute

NOTE: Toujours laisser le bol d’eau en place lors de l’opération du fumoir. Si de l’eau d’extra est nécessaire au cours de la cuisson, ajouter de l’eau doucement au travers l’entrée pour le plateau d’excès. **NE PAS** enlever le bol d’eau pour ajouter de l’eau. Éviter d’éclabousser de l’eau sur les éléments de chaleur. Du dommage sérieux pourrait arriver à l’élément ainsi que des coup de chaleur et des pannes électriques.

MODE D'EMPLOI

Assaisonnement du Fumoir (Avant le premier usage)

Afin d'assaisonner votre fumoir, suivre ces étapes SANS l'usage de nourriture:

1. La place souhaitée bois aromatisants dans la boîte de copeaux de bois et de remplir au $\frac{3}{4}$ plein. NE PAS mettre de l'eau dans un bol d'eau.
2. Maintenant la porte du fumoir fermée, tourner le bouton de contrôle au niveau 3 (haut) et garder le brûleur à cette position pour 2 heures.
3. Une fois que l'assaisonnement est terminée, l'intérieur de votre fumeur auront un revêtement durable, assaisonné.
4. Autoriser le fumeur refroidir complètement, avant de nettoyer la boîte de copeaux de bois.

! CAUTION !

Le fumoir devient CHAUD lors d'usage. Se servir de grants résistants à la chaleur pour accéder à l'intérieur du fumoir.

Pour utiliser le boîtier d'éclisses de bois:

Tourner le bouton de contrôle dans le sens de l'horloge (voir l'icône dans le sens des aiguilles) afin de régler la température désirée. Le bouton peut être tourné dans n'importe quelle position entre 1 (bas) et 3 (haut). Tourner le bouton (pour accroître la température) ou vers le bas pour réduire la température tel que voulu pour ajuster la température désirée.

NOTE: Le brûleur ne s'allumera pas tant que le bouton est tourné à "1" (bas). La lampe témoin, près du bouton de contrôle, s'allumera et restera allumée jusqu'à ce que la température du fumoir soit celle désirée. Une fois la température élevée, la lampe témoin s'éteindra. Le thermostat continuera de démontrer la température en cyclant cette dernière automatiquement entre en service et hors service (on/off). La température interne peut fluctuer plus ou moins entre 10-15°F (5-8°C) pour maintenir la bonne température de cuisson. Se référer à la page 49 pour plus de renseignements. Se référer à la page 22 pour plus d'information sur les procédures à suivre pour la cuisson.

Utilisation du Bol d'eau:

Le bol d'eau diffuse la chaleur directe entre la nourriture et l'élément de chaleur. L'usage de l'eau dans le bol n'est pas requis, mais le bol d'eau DOIT ÊTRE en place durant l'opération de l'appareil. Pour utiliser le bol, remplir à au moins le 3/4 avec de l'eau chaude mais pas bouillante, avant d'allumer le fumoir. L'eau froide pourrait prolonger le processus de cuisson. Ne pas remplir à rabord. Ce faisant pourrait causer l'eau d'éclabousser à l'intérieur du fumoir.

⚠ CAUTION ⚠

- **Ne pas utiliser des outils pointus ou coupants pour nettoyer le fumoir.**
- **Ne pas utiliser des produits pour fours abrasifs, laine d'acier ou brosses de métal pour nettoyer les grilles de porcelaine ou le corps du fumoir. Ceci endommagera le fini.**
- **Remplacer les pièces défectueuses seulement avec des pièces certifiées Dyna-Glo, Ne pas tenter de réparer les parties endommagées.**

- Afin de maintenir une performance optimale, nettoyage du fumoir après chaque usage est recommandé.
- Attendre que le fumoir soit complètement refroidi avant de nettoyer.
- Une brosse avec poil de plastique peut être utilisée pour nettoyer des taches tenaces.
- **NE PAS** utiliser de la laine d'acier ou brosse de métal. Les pièces peuvent casser et toucher des éléments électriques créant un risque de choc électrique.
- Nettoyer le boîtier du contrôleur et élément de chaleur en passant un linge humide. Utiliser un savon à vaisselle doux.
- Faire sécher le boîtier de contrôle et l'élément de chaleur complètement avant usage. Omettre cette étape causera du dommage au contrôle et empêcher le fumoir de bien fonctionner.
- Nettoyer les grilles avec du savon à vaisselle doux. Nettoyer les grilles de cuisson dans de l'eau savonnée chaude avec l'eau savonnée ou avec une solution d'eau et de bicarbonate de soude. Nettoyer les étagères avec une solution plus forte pour des taches répétitives. La poudre non-abrasive peut aussi être utilisée pour des taches tenaces
- Nettoyer le plateau de graisse avec un linge humide et le bol d'eau avec un linge humide et de l'eau savonnée. Permettre aux liquides à l'intérieur du bol d'eau ou plateau de refroidir complètement avant de nettoyer.
- Éviter de nettoyer les surfaces de cuisson quand le fumoir est encore chaud.
- Prendre en compte toutes les précautions de sauvegarde et avertissements avant de sortir la viande du fumoir ou en préparant l'appareil pour l'entreposage. Voir la page 30 pour d'importantes précautions et avertissements.

CONSEILS POUR LE FUMAGE DES ALIMENTS

Accoupler les copeaux de bois avec la sorte de nourriture spécifique dépendant à la préférence de l'utilisateur. Cette page peut être utilisée comme guide pour des idées à fin de saveur

- Le bois dur comme le bois du noyer, pacanier, pommier, cerisier, mesquite brûlent généralement plus lentement et produisent plus de fumée sur une longue période de temps.
- Pour prolonger le temps de combustion des copeaux de bois : faites tremper les copeaux de bois dans un bol d'eau pendant au moins 30 minutes et/ou enveloppez les copeaux dans un papier d'aluminium perforé.
- La plupart de la saveur du fumeur est acquise en dedans d'une heure de cuisson. **Il n'est pas nécessaire d'ajouter plus de copeaux après la première heure à moins que plus de saveur fumeur es désirer.**

Ici une liste de bois fumé les plus populaires et un peu d'information à ses sujets.

Essence de bois	Aliment suggéré	Commentaires
Pommier	Toutes les viandes	Saveur douce, sucrée et légèrement fruitée. Chaque espèce de pommier confère aux aliments une saveur légèrement différente. Le bois de pommier produit un effet de brunissement qui rend la nourriture encore plus appétissante.
Amandier	Toutes les viandes	Saveur sucrée et goût naturel de noisette.
Frêne	Poisson et viande rouge	Saveur très douce.
Citronnier	Porc et poulet	Les bois de citronnier et d'oranger confèrent aux aliments une saveur douce, mais fruitée.
Cerisier	Porc et bœuf	Saveur douce et fruitée.
Bois fruitier	Porc, volaille et poisson	Les bois de pêcher, de poirier et de prunier confèrent aux aliments une saveur de fumée douce, sucrée et légèrement fruitée.
Vigne	Volaille, gibier et agneau	Le bois de vigne dégage beaucoup de fumée et brûle longtemps. Il donne aux aliments une saveur acidulée et légèrement fruitée.
Hickory	Porc et bœuf	Le bois de hickory est sans doute le bois le plus recherché pour fumer les aliments. La saveur qu'il produit est très intense; par conséquent, nous vous recommandons d'utiliser une faible quantité de ce bois pour commencer.
Érable	Porc et volaille	Saveur douce et sucrée.
Prosopis	Bœuf, poulet et poisson	Ce bois dégage une chaleur très intense, alors soyez prudent. Tout comme le bois de hickory, ce bois est très apprécié et confère aux aliments une saveur prononcée.
Chêne	Viande rouge, gibier, côtes et poisson	Ce bois produit également beaucoup de fumée. Utilisez-en une faible quantité pour commencer.
Pacanier	Côtes et viande rouge	Ce bois dégage une légère fumée qui donne aux aliments une saveur sucrée et un goût de noisette.

TEMPERATURES DE FUMAGE PROPOSÉES

Températures fumeurs

Températures de fumer accurate sont essentiels pour la nourriture en toute sécurité cuisson lorsque les sondes de viande ne sont pas disponible. Veuillez comprendre que l'utilisation de la jauge de température installé en usine est acceptable outil pour la nourriture de fumer, mais ce n'est pas toujours le moyen idéal de mesurer le tabagisme le plus précis température, car les températures internes de fumeurs peuvent varier entre la cuisine haut et en bas grilles. Aussi garder à l'esprit que les sondes utilisées sur la plupart des indicateurs sont conçus pour mesurer la la température à la pointe de la sonde de température et non pas la température globale du fumeur.

Alternativement, il est recommandé que les utilisateurs soit par achat, une température prêt à cuire après-vente évaluer, ou un thermomètre à viande. Thermomètres à viande sont le moyen le plus efficace de déterminer quand la nourriture est cuite à la température minimale requise pour la consommation sécuritaire. S'il vous plaît se référer au tableau ci-dessous pour températures de cuisson.

TEMPERATURES DE FUMER PROPOSÉES

	Températures de fumage proposees	Températures Minimales Recommandées pou les Aliments
Viande, Volaille, Poisson		
Boeuf, veau et agneau (morceaux et pièces entières)		
Mi-saignante	225°F (107.2°C)	145°F (63°C)
Medium	225°F (107.2°C)	160°F (71°C)
Bien faite	225°F (107.2°C)	170°F (77°C)
Porc (jambon, longe de porc, côtes)		
Porc (morceaux et pièces entières)	225 - 240°F (107.2 - 115.6°C)	160°F (71°C)
Viande hachée et mélanges de viande (hamburgers, saucisses, boulettes de viande, pain de viande, ragoûts et le bœuf attendri mécaniquement)		
Boeuf, veau, y compris attendries mécaniquement, agneau et le porc	250 - 300°F (121 - 149°C)	160°F (71°C)
Volaille (poulet et dinde)	250 - 300°F	165°F (74°C)
Volaille (poulet et dinde)		
Pièces	250°F (121°C)	165°F (74°C)
Entières	240°F (115.6°C)	185°F (85°C)
Fruits de mer		
Poisson	225 - 240°F (107.2 - 115.6°C)	158°F (70°C)
Crustacés (crevettes, homard, crabe, pétoncles, palourdes, moules et huîtres)	225 - 240°F (107.2 - 115.6°C)	165°F (74°C)
Comme il est difficile d'utiliser un thermomètre pour aliments afin de vérifier la température des crustacés, jeter ceux qui ne s'ouvrent pas après la cuisson.		

	Températures de fumage proposees	Températures Minimales Recommandées pou les Aliments
Gibier		
Côtelettes, steaks et rôtis (cerfs, wapitis, orignaux, caribous / rennes, antilopes et pronghorn)		
Mi-saignante	225°F (107.2°C)	170°F (77°C)
Grand gibier		
Ours, bison, bœuf musqué, morse, etc	250 - 300°F (121 - 149°C)	165°F (74°C)
Petit gibier		
Lapin, rat musqué, castor, etc	225 - 240°F (107.2 - 115.6°C)	165°F (74°C)
Viande hachée		
Viande hachée et mélanges de viandes	250 - 300°F (121 - 149°C)	165°F (74°C)
Cerf haché et saucisses	250 - 300°F (121 - 149°C)	165°F (74°C)
Gibier à plumes / sauvagine (dindon sauvage, canard, oie, perdrix et faisan)		
Entières	250°F (121°C)	180°F (82°C)
Poitrines et rôtis	250°F (121°C)	165°F (74°C)
Cuisses, ailes	250°F (121°C)	165°F (74°C)
Farce (cuite seule ou dans un oiseau)	250°F (121°C)	165°F (74°C)

⚠ AVERTISSEMENT ⚠

- Soyez prudent lorsque vous soulevez ou déplacez le fumoir, et ce, afin d'éviter des blessures. Il faut que deux personnes soulèvent ou déplacent le fumoir.
- **IL NE FAUT PAS** placer l'appareil près d'essence ou d'autres liquides combustibles. Ou dans un endroit où il y a des vapeurs combustibles. Il ne doit pas avoir de matière combustible ou de vapeurs combustibles autour du fumoir.
- **IL NE FAUT PAS** ranger ce fumoir dans un endroit accessible aux enfants et animaux domestiques. Rangez le fumoir dans un endroit sec et sécuritaire.
- **IL NE FAUT PAS** laisser des personnes s'approcher du fumoir après utilisation il faut attendre le refroidissement du fumoir. Il est chaud durant l'utilisation et chaud, pour un temps, après l'utilisation.
- **IL NE FAUT PAS** cesser de surveiller les cendres chaudes lorsque le fumoir n'est pas complètement refroidi.
- Le fumoir devient extrêmement chaud. Attendez le refroidissement complet du fumoir avant l'utilisation. Attendez le refroidissement du fumoir avant d'enlever ou de nettoyer le récipient à graisse.
- Disposez des cendres froides en les enveloppant dans du papier d'aluminium robuste et la mise les dans un récipient incombustible. Si vous devez vous débarrasser des cendres en moins de temps qu'il leur faut pour refroidir complètement, retirez la boîte de copeaux de bois du fumeur avec des gants résistant à la chaleur, placer les cendres dans aluminium épais et les faire tremper complètement avec de l'eau avant de les jeter dans un récipient incombustible. Toujours utiliser des gants de cuisine ou des gants résistant à la chaleur lors de l'accès à l'intérieur du fumeur pendant et après utilisation.

⚠ CAUTION ⚠

Tout entretien doit se faire lorsque le fumoir est éteint, débranché et refroidi.

Pour nettoyer l'intérieur et l'extérieur du cabinet du fumoir, simplement utiliser un linge humide. Le lavement avec un tuyau d'arrosage n'est pas recommandé. Toute humidité devrait être essuyée et non permise à l'intérieur ou sur le dessus du fumoir. Une fois nettoyé vous pouvez décider de légèrement courir l'intérieur du cabinet du fumoir avec de l'huile de cuisson ou appliquer avec un aérosol de cuisson.

Si de la rouille présente sur la surface extérieur du fumoir, nettoyer l'endroit avec de la laine d'acier ou avec un chiffon d'ameri et utiliser une peinture résistante à la chaleur.

NE JAMAIS appliquer de la peinture additionnelle à l'intérieur du fumoir.

DÉPANNAGE

Si vous avez des questions concernant le produit, s'il vous plaît appelez le service à la clientèle au 1-877-447-4768, Huit heures 30-16h30, HNC, du lundi - vendredi.

PROBLÈME	CAUSE POSSIBLE	ACTION CORRECTIVE
Aucune chaleur du fumoir.	<ul style="list-style-type: none"> • Le fumoir est fermé ou débranché • Aucun pouvoir • Contrôle ou élément de chaleur défectueux 	<ul style="list-style-type: none"> • Allumer le fumoir • Vérifier qu'aucun disjoncteur est à la position 'off' et remettre en position 'on' si nécessaire • Vérifier que le CIDT (Circuit Interrupteur de terre) n'est pas défectueux à la prise de courant. Réinitialiser le CIDT ou le remplacer, si nécessaire • Si le disjoncteur ou le CIDT continue de se fermer, utiliser une prise de courant différente sur un disjoncteur unique. • Essayer un autre appareil dans la prise de courant. • Remplacer le contrôle ou l'élément de chaleur
Le disjoncteur 'saute' ou la fusible brûle.	<ul style="list-style-type: none"> • Un autre appareil est branché dans le circuit que le fumoir (trop d'appareils utilisant le même circuit). • Humidité ou eau dans le contrôle, fil électrique ou connexion au courant . • Fil électrique endommagé ou effiloché. • Connexion électrique endommagée 	<ul style="list-style-type: none"> • Trouver une autre prise de courant sur un circuit séparé. • Garder toutes les connexions sèches et loin d'humidité. NE PAS utiliser cet appareil dans la pluie ou lors d'une tombée de neige. • Fermer le fumoir, débrancher le fumoir et vérifier le fil électrique pour du dommage. Remplacer si nécessaire. • Remplacer le contrôle
Le fumoir ne produit pas assez de chaleur.	<ul style="list-style-type: none"> • Le fumoir n'est pas suffisamment préchauffé ou la température établie est trop basse. • Porte laissée ouverte ou non-sécurisée • Rallonge électrique non-appropriée 	<ul style="list-style-type: none"> • Préchauffé pour 15-20 minutes. Accroître la température via le contrôle. • Fermer la porte et mettre le loquet avant usage. • Utiliser une rallonge à taux extérieur at 15 amps

DÉPANNAGE

PROBLÈME	CAUSE POSSIBLE	ACTION CORRECTIVE
Trop peu ou aucune fumée vient du fumoir.	<ul style="list-style-type: none">• Pas assez d'éclisses de bois• Les pastilles ou éclisses sont trop petites.	<ul style="list-style-type: none">• Vérifier le niveau des éclisses de bois. Le boîtier devrait être plein au moins au 3/4.• Afin de générer le bon montant de fumée, les éclisses devaient mesurer environ 1" – 3" pouces (2.5 cm – 7.6 cm) et pas plus épais qu' 1/4" de pouce (0.6cm). Des morceaux de tronc ou copeaux de bois ne sont pas recommandés. NE PAS utiliser des briquettes de charbon.
Éruptions	<ul style="list-style-type: none">• La viande contient un montant excessif de gras• La température de cuisson est trop• Surabondance de graisse	<ul style="list-style-type: none">• Couper un bon bout de la graisse avant de cuire• Réduire la température si nécessaire• Nettoyer le fumoir tel que recommandé
Feux de graisse répétitifs	<ul style="list-style-type: none">• Trop de graisse laissée dans le plateau de graisse ou dans la tasse de graisse	<ul style="list-style-type: none">• Fermer le fumoir et ouvrir la porte pour donner la chance aux flammes de s'éteindre. NE PAS utiliser de l'eau pour éteindre le feu. Des blessures personnelles pourraient s'ensuivre. Permettre au fumoir de se refroidir complètement avant de nettoyer le plateau et la tasse.

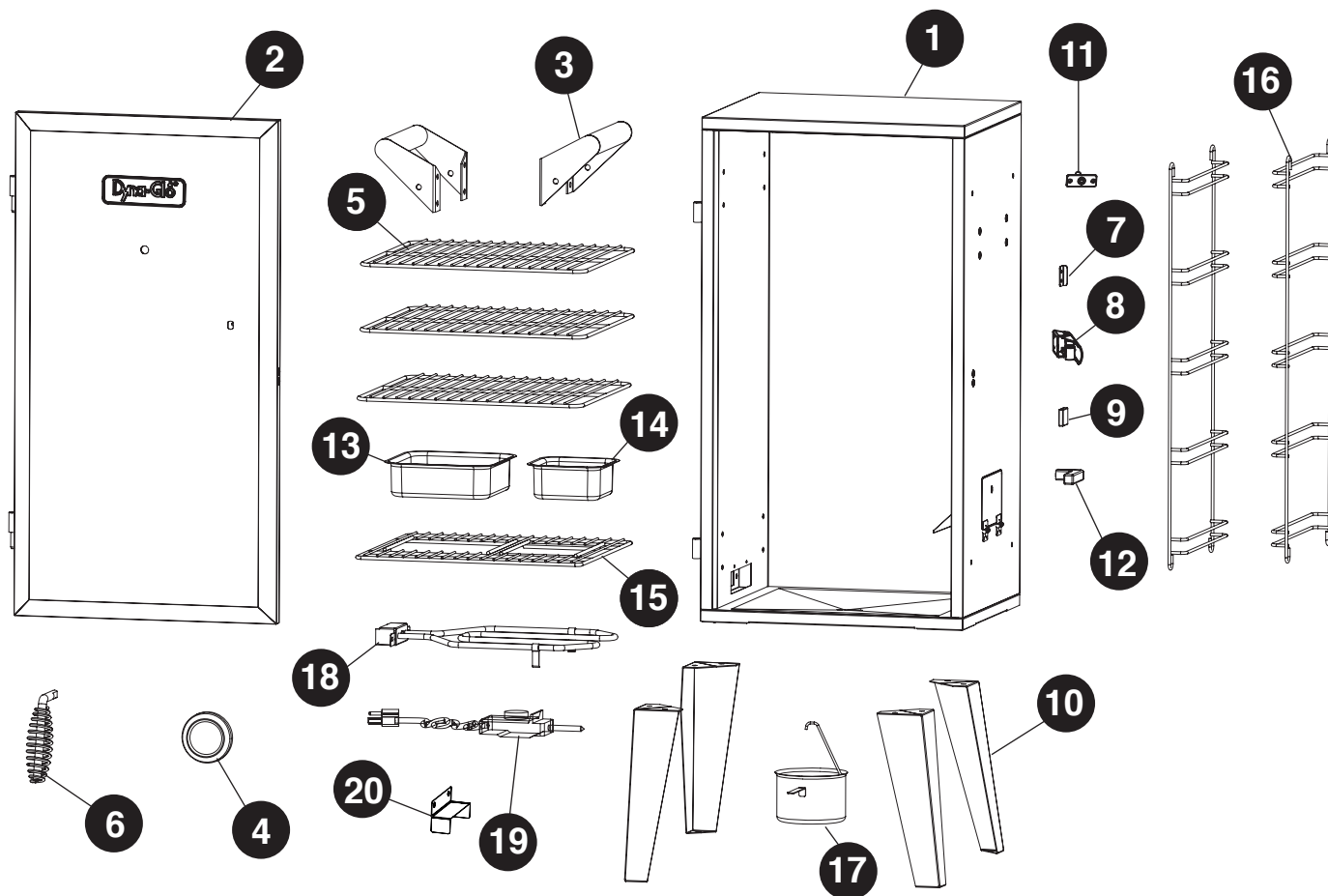
LISTE DES PIÈCES DE RECHANGE

Pour les pièces détachées, appelez notre service à la clientèle au 1-877-447-4768, 8 heures 30-16h30, HNC, du lundi - vendredi.

RÉF	DESCRIPTION	NO DE PIÈCE
1	Assemblage du cabinet du fumoir	70 - 01 - 375
2	Assemblage de porte avec logo (sans gauge de température)	70 - 01 - 370
3	Poignée de côté (G/D)	70 - 01 - 373
4	Assemblage de gauge de température*	70 - 01 - 372
5	Grilles de cuisson	70 - 01 - 374
6	Assemblage de poignée de porte	70 - 01 - 371
7	Crochet du loquet de la porte	70 - 01 - 352
8	Poignée du loquet de porte (sans étui)	70 - 01 - 353
9	Étui du loquet de porte	70 - 01 - 356
10	Patte	70 - 01 - 379
11	Tube d'échappement d'air	70 - 01 - 381

RÉF	DESCRIPTION	NO DE PIÈCE
12	Poignée pour l'accès au boîtier d'éclisses de bois	70 - 01 - 383
13	Bol d'eau	70 - 01 - 427
14	Boîtier pour éclisses de	70 - 01 - 428
15	Support de boîtiers d'eau et bois	70 - 01 - 376
16	Support de grille de cuisson	70 - 01 - 382
17	Assemblage de la tasse de graisse	70 - 01 - 380
18	Assemblage de l'élément de chaleur	70 - 01 - 377
19	Assemblage du contrôle du thermostat	70 - 01 - 378
20	Blindage du thermostat	70 - 01 - 424
n/a	Matériel paquet	70 - 09 - 506
n/a	Manuel d'instructions	70 - 10 - 560

LISTE DES PIÈCES DE RECHANGE



GARANTIE

Ce fumoir numérique électrique vertical est garanti contre pièces cassées ou endommagées lors de l'achat. Toutes les autres pièces portent un (1) an de garantie limitée, sauf la chambre de charbon, qui est garantie d'être libre de défauts pendant 90 jours. La peinture est garantie d'être libre de défauts pendant 90 jours à l'exception de la rouille, qui peut apparaître après une utilisation répétée.

La garantie ne couvre pas les dommages ou les problèmes liés à une négligence, à un usage abusif ou aux modifications apportées à l'appareil. La garantie ne couvre pas les coûts de main-d'oeuvre.

Toutes les pièces couvertes par la garantie seront expédiées sans frais selon la méthode choisie par le fabricant (envoi terrestre par US Mail ou Parcel Post UNIQUEMENT). Tout montant additionnel (par exemple, la livraison le lendemain, le surlendemain, etc.) relève de la responsabilité du consommateur.

Toutes les réclamations au titre de la garantie ne peuvent être effectuées que par l'acheteur initial du produit et nécessitent une preuve d'achat qui indique la date d'achat. Ne retournez aucune pièce à l'adresse de GHP sans avoir obtenu un numéro d'autorisation de retour de notre service à la clientèle. Vous pouvez appeler sans frais notre service à la clientèle au 1-877-447-4768, huit heures et demie-16h30, HNC, du lundi - vendredi.

AVIS : Certains États ou certaines provinces ne permettent pas une limitation de la durée de la garantie implicite ou une exclusion ou une limitation des dommages accidentels ou consécutifs, de sorte que les limitations ou exclusions mentionnées ci-dessus peuvent ne pas s'appliquer à vous. Cette garantie vous confère des droits précis. Il est possible que vous disposiez également d'autres droits, qui varient d'un État ou d'une province à l'autre.

GHP Group, Inc.
6440 W. Howard Street
Niles, IL, États-Unis
60714-3302

Nom de l'article : Fumoir Numérique Électrique Vertical
Modèle : DGU505BAE/DGU505BAE-D
Capacité nominale: 1,500W/Hr



Ahumador Analógico Eléctrico Vertical

MODELO #DGU505BAE / DGU505BAE-D



C US

UL 1026 - sexta edición,
2012 Electrodomésticos de
Unidad Familiar y Aparatos
de Servir Comida

CSA C22.2 No. 64-10
(reafirmado 2014)
Cocina de Unidad familiar
y Aparatos de Calentador
Líquidos

**PARA USO EXTERNO
UNICAMENTE**
Use solo con Clase A GFI
(Interruptor de fallo
de tierra)

ADJUNTE SU RECIBO AQUÍ

Número de serie _____ Fecha de compra _____



¿Preguntas, problemas, piezas faltantes? Antes de volver a la tienda, llame a nuestro Departamento de Servicio al Cliente al 1-877-447-4768, de 8:30 am - 4:30 pm, hora central, de lunes - viernes o envíe un correo electrónico a customerservice@ghpgroupinc.com.



NO TIENE QUE REGRESAR A LA TIENDA

- ¿Tiene preguntas respecto al ensamblaje?
- ¿Necesita información sobre las piezas?
- ¿Se encuentra el producto bajo garantía del fabricante?

Llame gratis al: 1-877-447-4768
8:30 a.m. – 4:30 pm Hora del Centro, de lunes a viernes

Conserve este manual del usuario y prueba de compra para referencia futura

Para ayudarnos a asistirle

Llene la información siguiente:

--	--	--	--

Fecha de compra

Lugar de compra

Número de modelo

úmero de serie
del producto

EL NÚMERO DE MODELO Y DE SERIE SE ENCUENTRAN
EN LA ETIQUETA DE CLASIFICACIÓN DE SU PARRILLA.

INDICE

Informacion de seguridad	58
Contenido del paquete	63
Aditamentos.....	64
Preparación Antes del Ensamblado	64
Instrucciones de ensamblaje	65
Instrucciones de funcionamiento	72
Consejos para fumar	76
Cuidado y mantenimiento	78
Solución de problemas	79
Lista de piezas de repuesto	81
Garantía	83

Ensamblador / instalador: Este manual de instrucciones contiene información importante necesaria para el correcto montaje y el uso seguro de este aparato. Lea y siga todas las advertencias e instrucciones antes de ensamblar y usar este aparato. Deje estas instrucciones con el consumidor.

Consumidor / Usuario: Siga todas las advertencias e instrucciones al utilizar este aparato.

GUARDE ESTAS INSTRUCCIONES

INFORMACION DE SEGURIDAD

Lea y comprenda completamente este manual antes de intentar ensamblar, usar o instalar el producto. Si tiene preguntas relacionadas con el producto, llame al Servicio al Cliente al: 1-877-447-4768, de 8:30 am - 4:30 pm, hora central, de lunes - viernes.

PRECAUCIÓN

- Cuando se utilizan aparatos electricos, las precauciones basicas siempre se deben seguir para reducir el riesgo de incendio, descarga eléctrica y lesiones a personas.

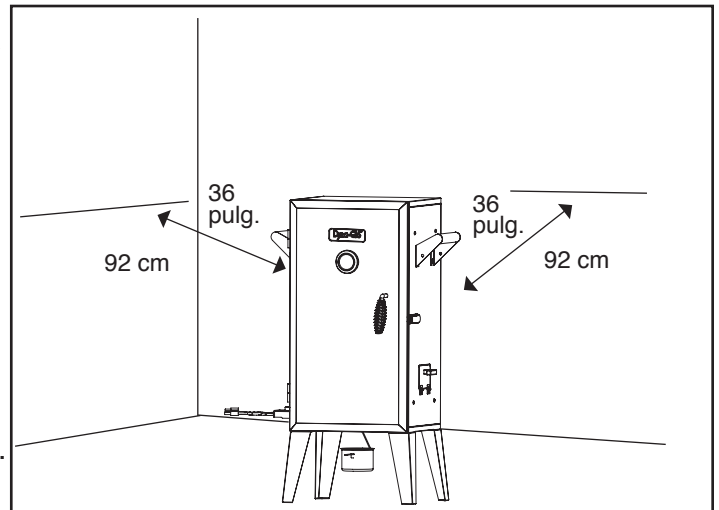
PELIGRO

- El incumplimiento de estas instrucciones podria provocar un fuego o riesgo de quemaduras que podria causar daños a la propiedad, lesiones personales o la muerte.

PRECAUCIONES IMPORTANTES

LEA TODAS LAS INSTRUCCIONES, ANTES DE UTILIZAR ESTE AHUMADOR

- **NO** utilice este producto para algo que no sea su propósito. NO es para uso comercial. NO está destinado a ser instalado o utilizado en o sobre un vehículo y / o barco recreativo.
- **NO** opere este ahumador con un cable o enchufe dañado o después de un mal funcionamiento del ahumador, se ha caído o está dañado de cualquier manera.
- **NO** use el ahumador dentro de 10 pies (3 m) de una piscina, un charco, un estanque u otro cuerpo de agua.
- Mantenga el ahumador y controlador eléctrico seco y fuera de la lluvia en todo momento.
- Se requiere una distancia mínima de 36 pulg. (92 cm) de material combustible en el frente, los lados y la espalda. Es muy importante de siempre mantener espacios adecuados materiales combustibles.
- Cuando se utiliza madera saborizante, añadir una cantidad suficiente al inicio del proceso de cocción, con el fin de evitar la re-adición de madera durante el proceso de cocción. Adición de la madera durante el funcionamiento puede salpicar agua caliente y causar lesiones graves.
- Comprobar el nivel de agua por lo menos cada 2 horas. Un sonido que chisporrotea puede indicar un nivel de agua bajo. Siga las instrucciones de este manual para añadir agua al operar (ver página 72).
- **NO** use el aparato durante una tormenta eléctrica.
- Conecte únicamente a enchufes con toma de tierra.
- Use solo con una clase A GFI (interruptor de falla a tierra) con circuito protegido.
- Coloque el cable lejos de áreas de tráfico para garantizar que no se tropiece.
- Para desconectar el ahumador, gire la perilla de control del ahumador para O (OFF), y retirar el enchufe del toma.
- **NO** obstruya el flujo de aire ventilado para el aparato.
- **NO** utilice papel de metal en las parrillas de cocción. Si lo hace, puede provocar daños al ahumador.
- **NO** utilice este aparato como calentador.
- **NO** use carbón con este aparato. Este aparato no está diseñado para usarse con carbón y un incendio producirá si el carbón se utiliza durante la operación. El fuego creará una situación de inseguridad y dañará el ahumador.
- Tenga cuidado al abrir la puerta del ahumador mientras esté en funcionamiento. Mantenga las manos, la cara y el cuerpo del vapor caliente o brotes. NO inhalar el humo.
- Si tiene que deshacerse de las cenizas en menos tiempo que le toma a las cenizas que se enfríen completamente abajo, entonces retire la ceniza del aparato con guantes de cocina aislados o guantes y remojar completamente las cenizas con agua antes de deshacerse de ellos en un recipiente no combustible.
- **NO** use ropa suelta mientras opera el ahumador. Atar el cabello largo mientras se opera el ahumador.
- **SIEMPRE** use zapatos que cubren totalmente sus pies mientras que use el ahumador.
- **NO** toque las superficies calientes. Use las asas o las perillas.



INFORMACION DE SEGURIDAD

- Para protegerse contra descargas eléctricas, no sumerja el cable, los enchufes, o conjunto de control del termostato en agua u otro líquido.
- Se requiere supervisión cuando cualquier aparato es utilizado por o cerca de niños.
- Desenchufe del tomacorriente cuando no esté en uso y antes de limpiarlo. Deje que se enfríe antes de poner o quitar piezas.
- **NO** opere ningún aparato con un cable o enchufe dañado o después de un mal funcionamiento o se ha dañado de alguna manera. Devuelva el aparato al centro de servicio autorizado más cercano para su revisión, reparación o ajuste.
- El uso de accesorios no recomendados por el fabricante del aparato puede causar lesiones.
- **NO** utilizar en interiores.
- **NO** permita que el cable cuelgue del borde de la mesa o mostrador, ni que toque superficies calientes.
- **NO** lo coloque sobre o cerca de una quemador de gas o eléctrica, o en un horno caliente.
- Debe tener mucho cuidado al mover un aparato que contenga aceite caliente o otros líquidos calientes.
- Siempre conecte el cable al aparato primero, luego el enchufe en el tomacorriente. Para desconectar, gire la perilla de control para O (OFF), luego retire el enchufe del tomacorriente.
- **NO** use el aparato para que no sea el uso previsto.
- Tenga mucho cuidado al retirar las bandejas o desechar la grasa caliente.
- **NO** limpie con estropajos de metal. Piezas de metal podrían arrancar y tocar las partes eléctricas, creando un riesgo de descarga eléctrica.
- Combustible, como briquetas de carbón, no es para ser utilizado con aparato.
- Utilice únicamente con toma de tierra adecuados.
- Asegúrese de que las manillas están montados y fijados correctamente. Vea las instrucciones relativas a las manillas en la página 65-66.

• GUARDE ESTAS INSTRUCCIONES.

ADVERTENCIA

- NO utilice cables de extensión de 16 o 18 calibres. Daños en el cableado de la casa y/o fuego podría resultar.

EL USO DE UN CABLE DE EXTENSION NO ES RECOMENDADO.

LEA TODAS LAS INSTRUCCIONES, ANTES DE USAR UN CABLE DE EXTENSION CON ESTE AHUMADOR

- Utilizar solo al aire libre con conexión de enchufe de tipo con 3 clavijas, clasificado de 15 amperios o más, aprobado por la UL, marcado con una W-A y una etiqueta que indica "Apto para uso con aparato exterior".
- Utilice el cable de extensión de longitud más corto requerido. No conecte 2 o más cables de extensión.
- No deje que el cable cuelgue del borde de mesa o otros elementos donde la pueden jalar los niños o tropezarse.



INFORMACION DE SEGURIDAD

Interruptor de falla a tierra

- Desde 1971 el código eléctrico nacional (NEC) exige dispositivos de GFCI en todos los circuitos al aire libre.
- Si su vivienda fue construida antes de 1971, consulte con un electricista calificado para determinar si existe.
- No utilice este aparato si el circuito no tiene protección de clase A GFI.
- No enchufe el aparato a un circuito interior.

SEGURIDAD GENERAL

LEA TODAS LAS INSTRUCCIONES, ANTES DE UTILIZAR ESTE FUMADOR

- Este aparato es para uso externo solo en áreas bien ventiladas. NO opere bajo un mismo techo, en un edificio, garaje o cualquier otra área cerrada, o en construcción sobrecarga.
- Antes de cada uso, verifique que no haya hojas muertas o restos debajo de el aparato.
- Mantenga un extintor de incendios cerca de este producto en todo momento.
- Desenchufe siempre el ahumador cuando no se este utilizando.
- Permita que el ahumador y sus componentes se enfríen completamente antes de realizar cualquier operación de limpieza o mantenimiento de rutina.
- NO utilice agua o otro líquido aerosol para limpiar el ahumador sin antes desconectar la unidad.
- Permita que el ahumador se enfríe a 115 ° F (45 ° C) antes de mover o almacenar. Tenga cuidado al levantar y mover el aparato para evitar tensiones en la espalda o lesión en la espalda.
- NO mueva el aparato mientras esta en uso.
- Cuando no esté en uso, se debe mantener el ahumador fuera de los elementos o protegido con una cubierta. Permitir que el ahumador se enfríe por completo antes de colocar la tapa. Guarde este aparato en un lugar seco y protegido cuando sea posible.
- El uso de accesorios no recomendados por el fabricante del aparato puede ocasionar lesiones o daños materiales.

! ADVERTENCIA !

Para evitar lesiones graves:

- Durante la coccion, el ahumador debe estar sobre una superficie nivelada, estable y incombustible en un area libre de material combustible, incluyendo hierba larga o seco.
- El uso de alcohol, prescripci3n o medicamentos de venta libre pueden afectar la capacidad del usuario para armar correctamente y operar con seguridad este aparato.
- **NO** mueva este aparato mientras este en uso.
- **NO** almacene y utilice este aparato cerca de gasolina o otros líquidos inflamables o donde otros vapores combustibles pueden estar presentes.
- El ahumador se debe utilizar solamente en areas bien ventiladas.
- **NO** utilice este aparato como un calentador.
- **NO** deje el aparato sin vigilancia mientras este en uso. Mantenga a los niños y las mascotas alejados del aparato en todo momento.
- Este aparato estara caliente durante y despues de su uso. Use guantes de cocina insulados o guantes para la proteccion de superficies calientes o de las salpicaduras de líquidos de coccion.

! ADVERTENCIA !

Subproductos combustibles producidos al usar este producto contiene sustancias químicas conocidas en el Estado de California PROPUESTA 65 DE CALIFORNIA

- 1. Para causar cancer, defectos de nacimiento y otros daños reproductivos.**
- 2. Este producto contiene sustancias químicas, como el plomo y sus compuestos, conocidos en el Estado de California como causante de cáncer, defectos de nacimiento y otros daños reproductivos.**

Lavese las manos despues de manipular este producto.

! PELIGRO !

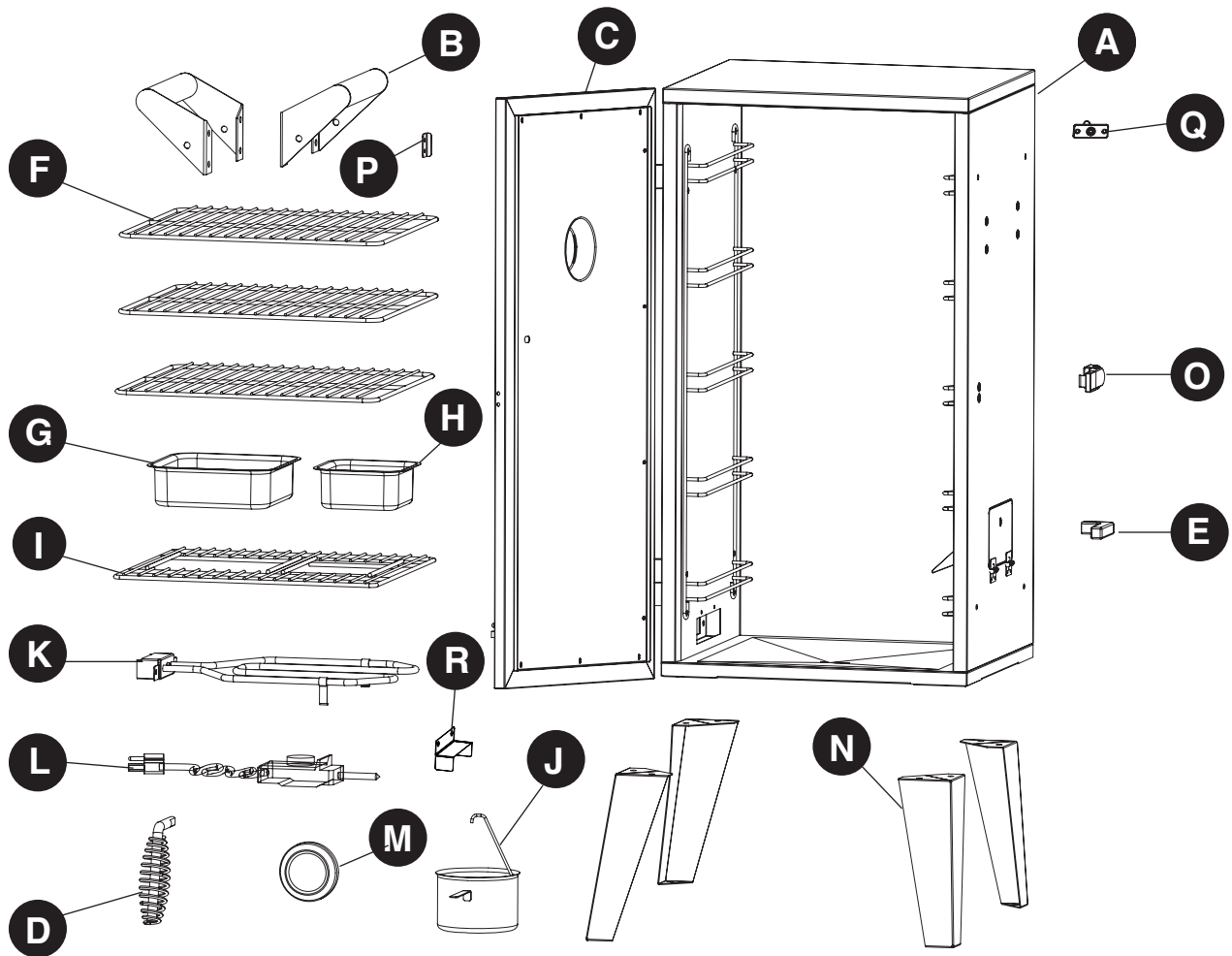
En caso de incendio, desenchufe el ahumador del tomacorriente y deje que el fuego se queme. No utilice agua para apagar un incendio en este o otro aparato electrico.

Para evitar un choque electrico desconecte el cable electrico antes de limpieza. Nunca sumerja controlador eléctrico o elemento de calefntamiento en ningun liquido.

Para evitar la posibilidad de quemaduras asegurarse de que el ahumador se haya enfriado completamente antes de retirar y / o limpiar el regulador electrico y el elemento de claentamiento.

NO use lana de acero o cepillos de alambre para limpiar el interior del aparato. Las piezas pueden desprenderse y tocar las partes electricas, creando un riesgo de descarga electrica.

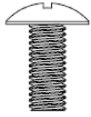
CONTENIDO DEL PAQUETE



PIECE	DESCRIPTION	QTE	PIECE	DESCRIPTION	QTE
A	Conjunto del Gabinete del Ahumador	1	J	Recipiente de Grasa	1
B	Manilla Trasera	2	K	Conjunto de elementos de calentamiento	1
C	Conjunto de Puerta	1	L	Conjunto de control del termostato	1
D	Manilla de la Puerta	1	M	Indicador de temperatura	1
E	Manilla de puerta de astilla de madera de acceso	1	N	Pata	4
F	Parillas de coccion	3	O	Cierre de puerta	1
G	Tazon de Agua	1	P	Soporte de cierre de la puerta	1
H	Deposito de astillas de madera	1	Q	Escape de aire	1
I	Soporte de deposito de las astillas de madera	1	R	Escudo termostato	1

ADITAMENTOS (PRE-ENSAMBLADOS)

AA



1/4"-20 x 1/2"
Tornillo

Cant. 16

BB



#10-24 x 1"
Tornillo

Cant. 2

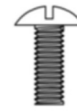
CC



#10-24
Tuerca

Cant. 4

DD



#10-24 x 1/2"
Tornillo

Cant. 9

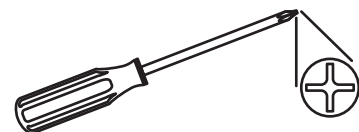
PREPARACIÓN ANTES DEL ENSAMBLADO

Antes de comenzar a ensamblar el producto, asegurese de tener todas las piezas. Compare las piezas con la lista del contenido del paquete de la pagina anterior y los aditamentos que aparecen arriba. No intente ensamblar el producto si falta alguna pieza o si estas estan danadas. Pongase en contacto con el Departamento de Servicio al Cliente para obtener piezas de repuesto. Si tiene preguntas relacionadas con el producto, llame al Servicio al Cliente al: 1-877-447-4768, de 8:30 am - 4:30 pm, hora central, de lunes - viernes.

Tiempo estimado de ensamblaje: 15 minutos

Herramientas necesarias para el ensamblaje y la prueba de fugas (no se incluyen):

Destornillador Phillips



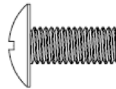
INSTRUCCIONES DE ENSAMBLAJE

1. **PRECAUCIÓN: Esta unidad es PESADA! No intente los 2 primeros pasos sin asistencia! Retire el conjunto de la puerta (C) abriendo y deslizando las puertas hacia arriba y hacia afuera de las bisagras.**

Con la asistencia de un ayudante, gire el conjunto del gabinete del ahumador (A) boca abajo. Alinear las patas (N) en las esquinas delanteras del conjunto del armario del ahumador (A). Asegure con 8 $\frac{1}{4}$ " -20 x $\frac{1}{2}$ " tornillos (AA). Apriete todos los pernos.

Aditamentos utilizados

AA $\frac{1}{4}$ "-20 x $\frac{1}{2}$ " Tornillo x 8



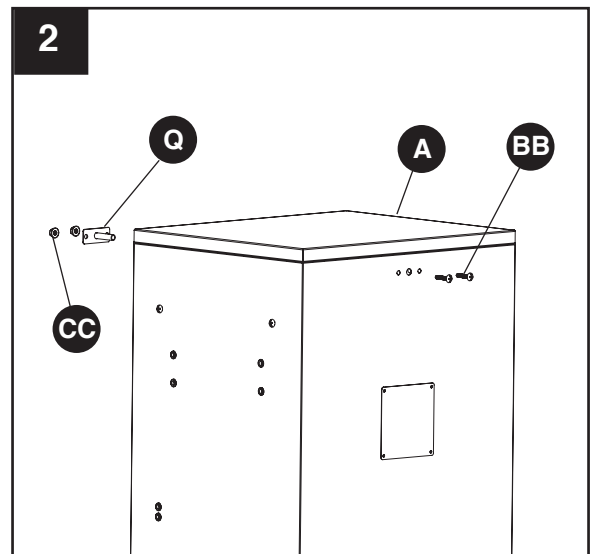
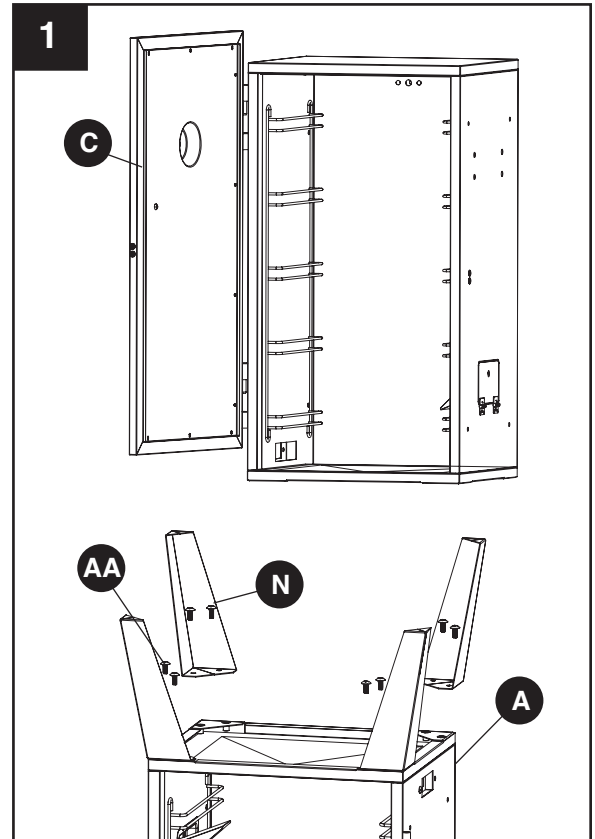
2. Con la asistencia de un ayudante, coloque la unidad en posición vertical sobre sus patas en una superficie plana y nivelada. Inserte el tubo del escape de aire (Q) por el interior del conjunto del gabinete del ahumador (A) y adjuntar utilizando 2 # 10-24 x 1" tornillos (BB) y 2 # 10-24 tuercas (CC).

Aditamentos utilizados

BB #10-24 x 1" Tornillo x 2



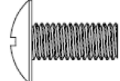
CC #10-24 Tuerca x 2

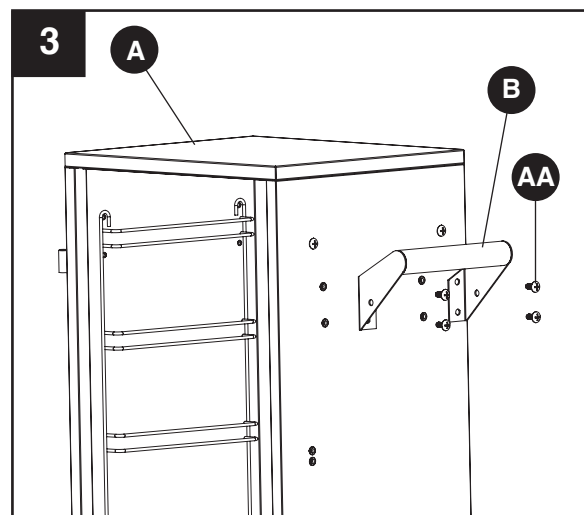


ASSEMBLY INSTRUCCIONES DE ENSAMBLAJE

3. Coloque cada una de las asas laterales (B) al conjunto del gabinete del ahumador (A) con 4 $\frac{1}{4}$ "-20 x $\frac{1}{2}$ " tornillos (AA) por lado.

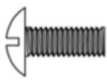
Aditamentos utilizados

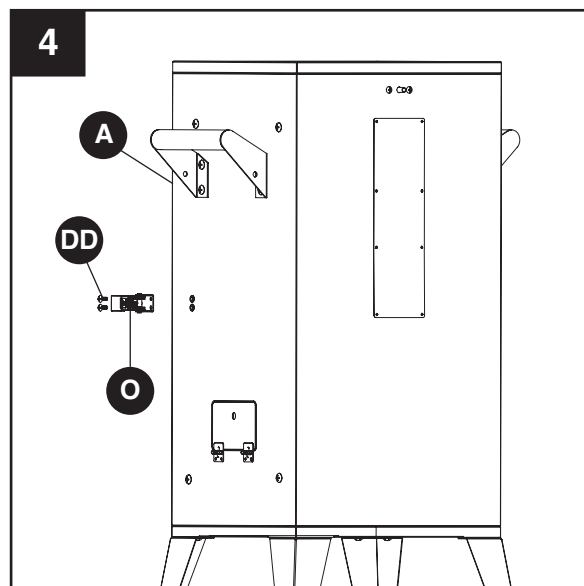
AA $\frac{1}{4}$ "-20 x $\frac{1}{2}$ "
Tornillo  x 8



4. Fije el cierre de la puerta (O) para el conjunto del gabinete del ahumador (A) utilizando 2 # 10-24 x $\frac{1}{2}$ " tornillos (DD).

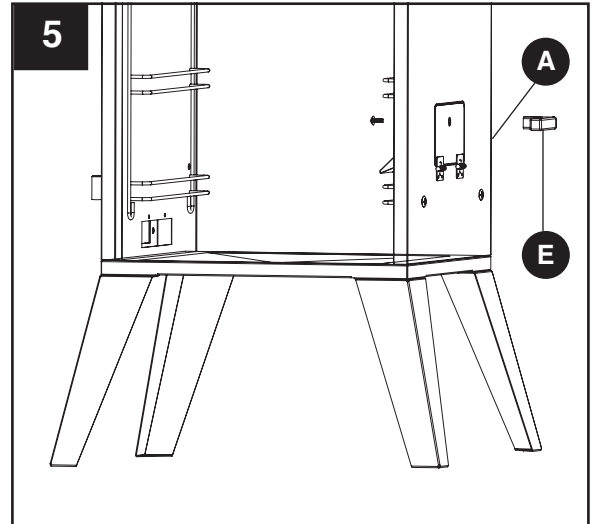
Aditamentos utilizados

DD #10-24 x $\frac{1}{2}$ "
Tornillo  x 2

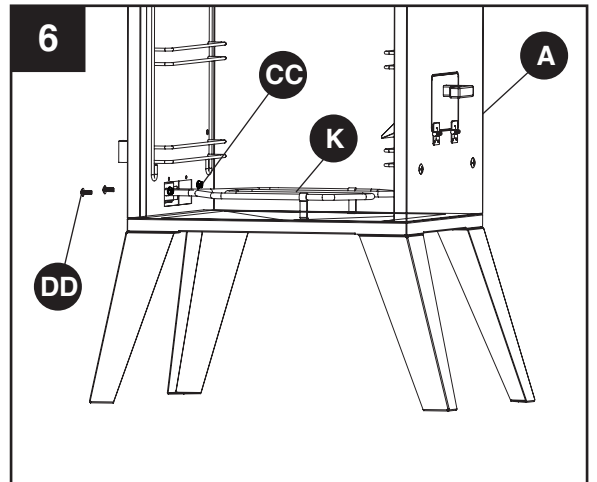


INSTRUCCIONES DE ENSAMBLAJE

5. Retire el tornillo de pre-ensamblado de la manilla de puerta de astilla de madera de acceso (E) y instale la manilla (E) en la puerta de acceso lateral del gabinete del ahumador (A).



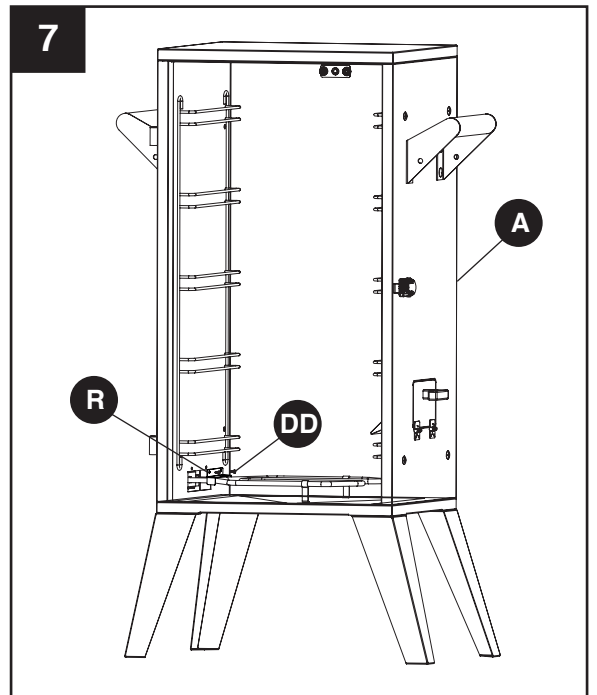
6. Conecte el conjunto del elemento de calentamiento (K) para el conjunto del gabinete del ahumador (A) utilizando 2 # 10-24 x 1/2" tornillos (DD) y 2 # 10-24 tuercas (CC).



Aditamentos utilizados

DD	#10-24 x 1/2" Tornillo		x 2
CC	#10-24 Tuerca		x 2

7. Conecte el blindaje del termostato (R) para el fumador montaje en armario (A) utilizando 2 #10-24 x 1/2" tornillos (DD).

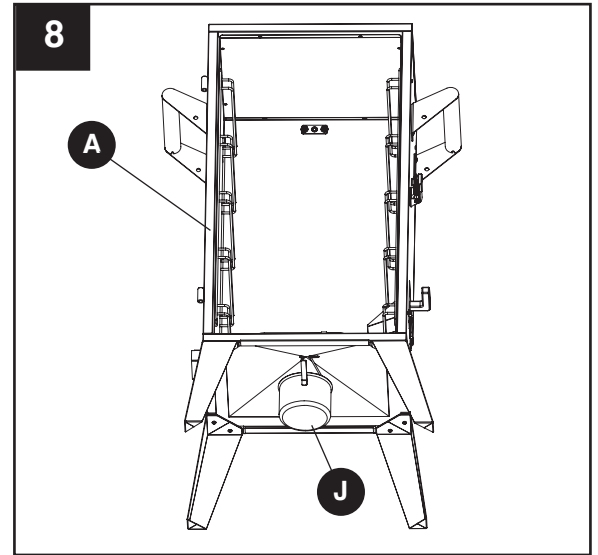


Aditamentos utilizados

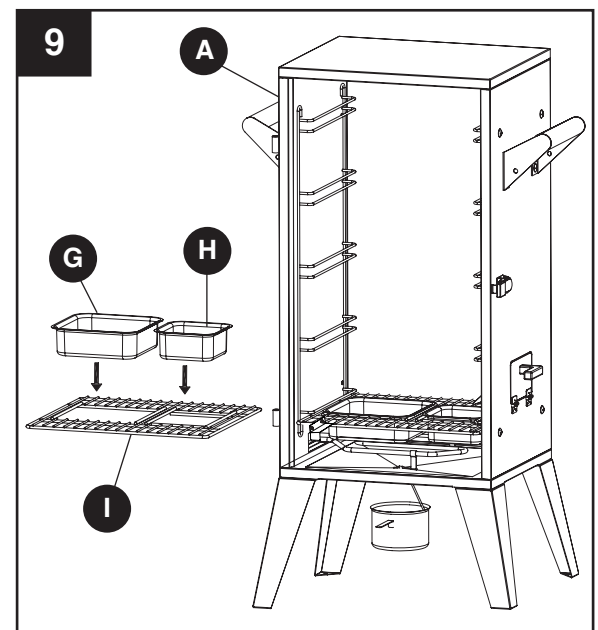
DD	#10-24 x 1/2" Tornillo		x 2
-----------	---------------------------	--	-----

INSTRUCCIONES DE ENSAMBLAJE

8. Cuelgue el recipiente para la grasa (J) a la parte inferior del conjunto del gabinete del ahumador (A).

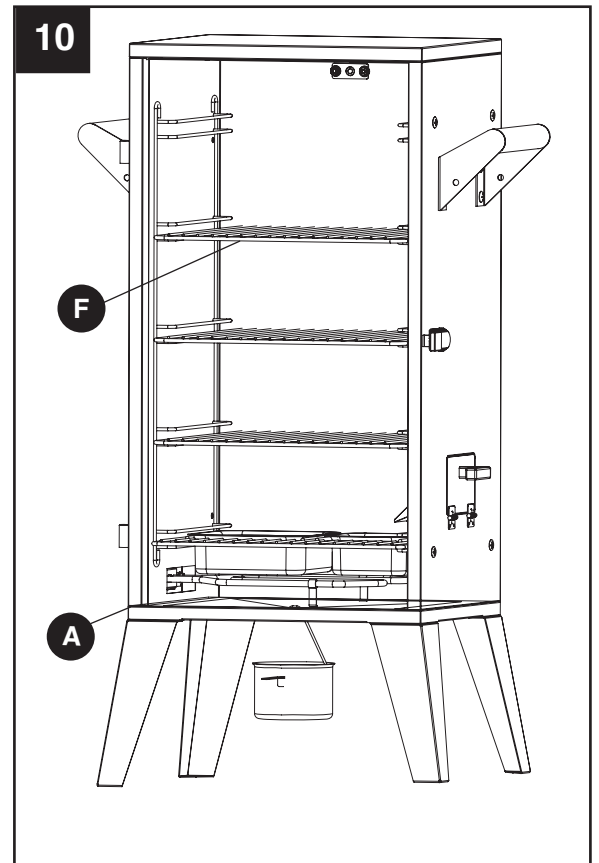


9. Coloque un tazón de agua (G) y depósito de astillas de madera (H) en el soporte de depósito de las astillas de madera (I). Deslice el soporte de depósito de las astillas de madera (I) en los rieles inferiores en los soportes de alambres pre-instalado.

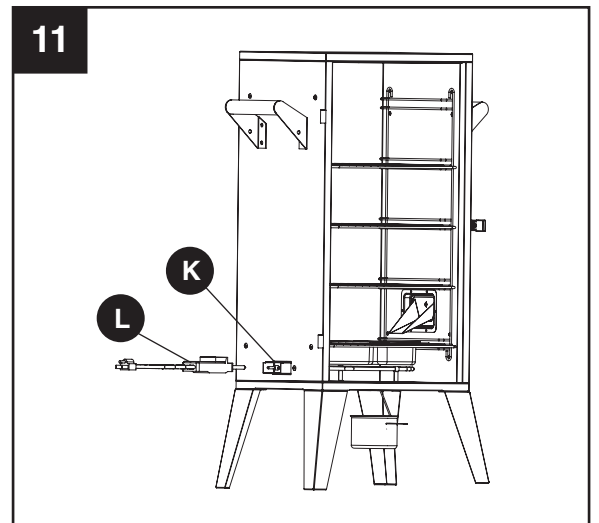


INSTRUCCIONES DE ENSAMBLAJE

10. Inserte las parrillas de cocción (F) en el soporte del alambre pre-instalado dentro del conjunto del gabinete del ahumador (A).



11. Inserte firmemente el conjunto de control del termostato (L) en la carcasa externa del conjunto del elemento de calentamiento (K).

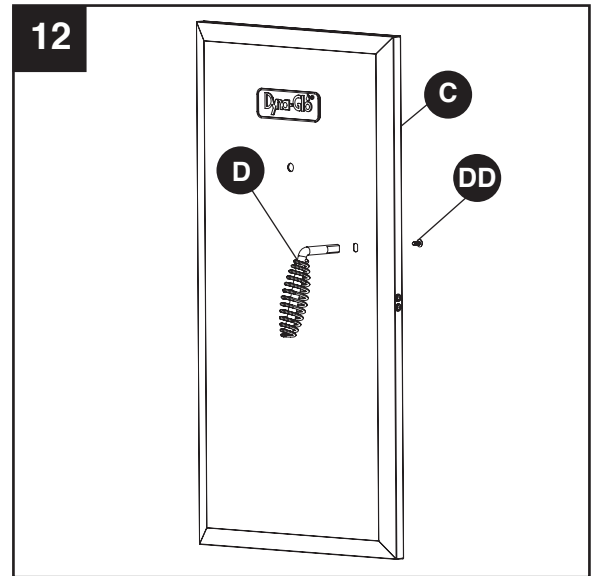
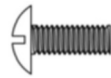


INSTRUCCIONES DE ENSAMBLAJE

12. Fije el conjunto de la manilla de la puerta (D) para el conjunto de la puerta (C) utilizando 1 # 10-24 x 1/2" tornillo (DD).

Aditamentos utilizados

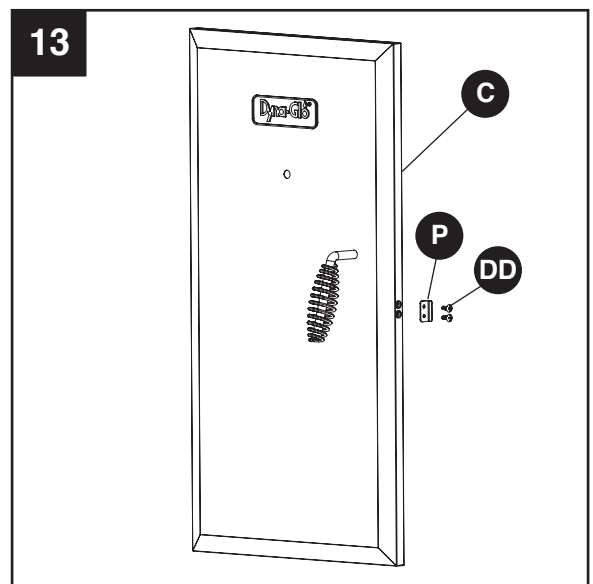
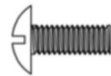
DD #10-24 x 1/2"
Tornillo x 1



13. Fije el soporte de cierre de la puerta (P) al conjunto de la puerta (C) utilizando 2 # 10-24 x 1/2" tornillos (DD).

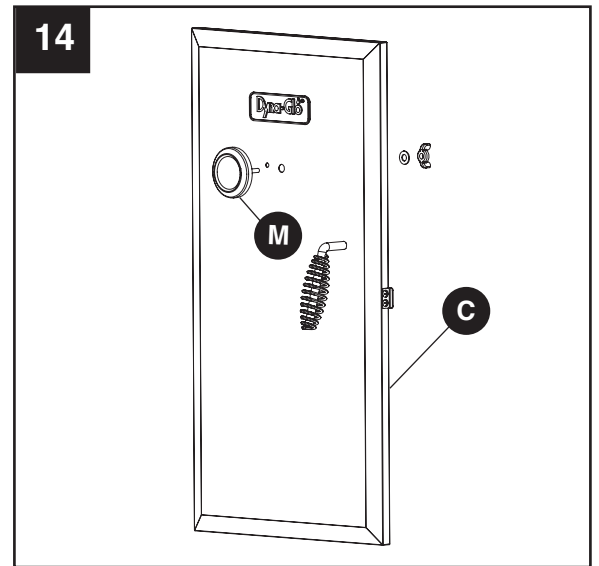
Aditamentos utilizados

DD #10-24 x 1/2"
Tornillo x 2

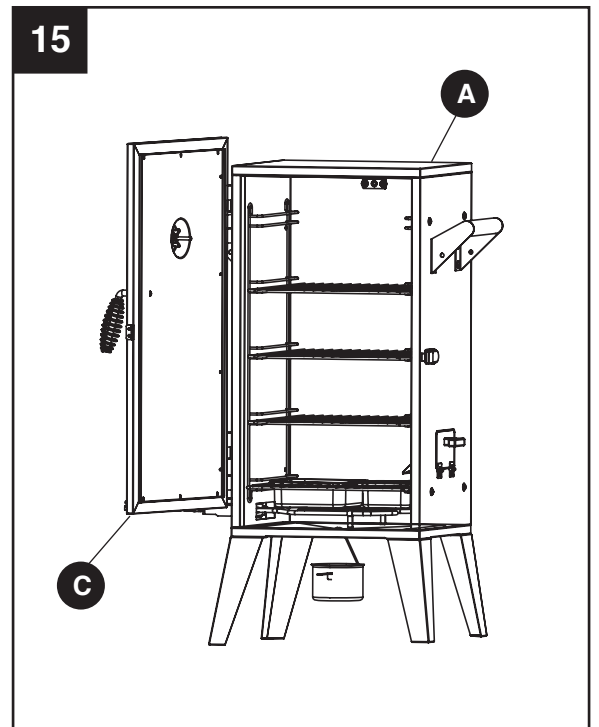


INSTRUCCIONES DE ENSAMBLAJE

14. Retire la arandela pre-instalada y la tuerca del indicador de temperatura (M) e insertar la sonda a través del agujero central del conjunto de la puerta (C). Asegure con la arandela pre-ensamblada y la tuerca.



15. Adjunte el conjunto de la puerta (C) al conjunto del gabinete del ahumador (A).



INSTRUCCIONES DE FUNCIONAMIENTO

LEA TODAS LAS INSTRUCCIONES ANTES DE USAR EL AHUMADOR POR PRIMERA VEZ

Antes del Uso Inicial:

Retire todo el epaue, etiquetas colgantes, correas de plástico, y pegatinas de ventas si está presente. No utilice herramientas afiladas.

Lave las parrillas de cocción con agua tibia y jabón, enjuague y deje que se seque completamente antes de colocarlos de nuevo en el ahumador.

Antes del primer uso, es importante "preparar" su ahumador. Condimento ayuda a eliminar posibles residuos de la fábrica que se produce durante la producción y la mejora el sabor, durabilidad y el rendimiento general. Consulte la página 77 para el funcionamiento de la hora y la temperatura necesaria para cocinar condimentos.

Antes de Cada Uso:

LEA TODAS LAS INSTRUCCIONES ANTES DE USAR EL AHUMADOR

- El ahumador debe estar sobre una superficie nivelada, estable y incombustible en un area libre de material combustible, incluyendo hierba larga o seco.
- Evite mover el ahumador sobre superficies desiguales o irregulares. Daño al ahumador puede ocurrir como resultado.
- Para evitar que los interruptores de la casa se tropiezen, mantenga control del ahumador electricos y las conexiones del cable seco y no utilice otros productos eléctricos en el mismo circuito.
- Asegúrese de que el recipiente de grasa, depósito de astillas de madera y un tazón de agua esten limpios y vacíos y se colocan de nuevo en el ahumador de acuerdo a las instrucciones.
- Cubra ligeramente cada parilla de cocinar con aceite de vegetal o aceite de vegetal en aerosol, para evitar que los alimentos se peguen en las parillas durante la cocción.
- **NO** cubra las parillas de coccion con papel de aluminio.

⚠ ADVERTENCIA ⚠

Si no se siguen todas las instrucciones del fabricante puede resultar en lesiones personales graves y/o daños a la propiedad.

Tenga cuidado cuando utilice su ahumador.

Para evitar posible ataques de asma o incendios de grasa, limpiar y vaciar el tazón de agua y el recipiente de grasa antes de su uso.

Lea y siga toda la informacion y las garantias en esta guia del producto antes de intentar ensamblar o operar este ahumador.

⚠ PRECAUCIÓN ⚠

- **No utilice herramientas cortantes o puntiagudos para limpiar ahumador.**
- **No utilice limpiadores de horno abrasivos, lana de acero o cepillos metálicos para limpiar las parrillas de porcelana o del ahumador. Ellos dañarian el acabado.**
- **Reemplazar parte(s) dañada unicamente con Dyna-Glo repuestos certificado. No intente reparar las partes dañadas.**

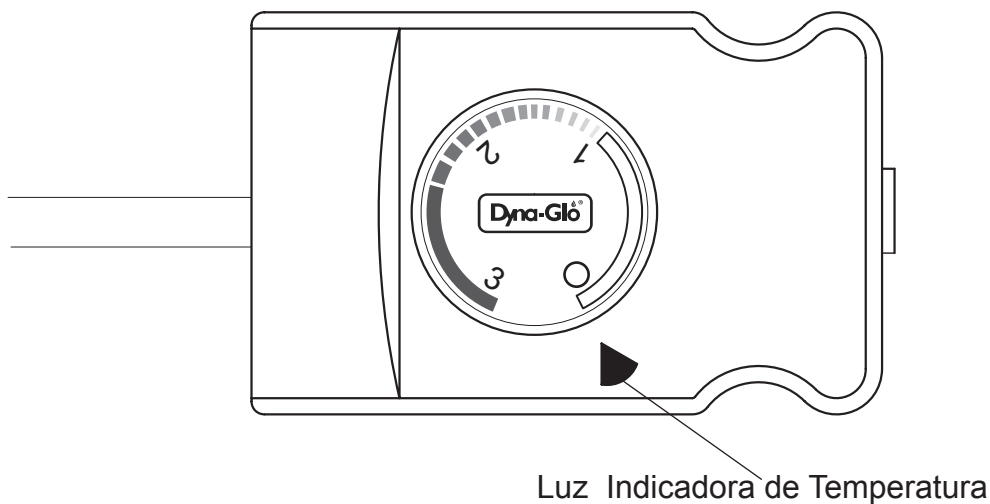
INSTRUCCIONES DE FUNCIONAMIENTO

Guía de Seguridad

- Consulte la "Sección Solución de problemas", en las páginas 79 y 80, por problemas operativos.
- **NO** abra la puerta del ahumador durante el funcionamiento, a menos que sea necesario. Al abrir la puerta permitirá que el calor se escape y prolongar el tiempo de cocción.
- **NO USE CARBON.** Este aparato no está diseñado para su uso con carbón y un incendio producirá si el carbón se utiliza durante la operación. El fuego se va a crear una situación de inseguridad y dañar el ahumador.
- **Astillas de madera** deben ser utilizados para crear el humo y sabor.
- Con el fin de mantener un rendimiento óptimo, la limpieza del ahumador después de cada uso es muy recomendable. Espere hasta que el ahumador se haya enfriado por completo antes de la limpieza. Consulte la sección Cuidado y mantenimiento en la página 78.

Instrucciones de Operacion de la Perilla de Control

- La sonda de la perilla de control de temperatura debe insertarse adecuadamente en la carcasa externa del elemento de calentamiento y el dial se debe establecer en la posición O (OFF) antes de conectar el cable a una (GFI) tomacorriente eléctrico. Consulte las instrucciones de montaje en la página 69 para insertar el control del termostato.



O - Apagado

1– Ajuste de Baja Temperatura

2– Ajuste de Media Temperatura

3- Ajuste de Alta Temperatura

NOTA : Deje siempre el tazon de agua en su lugar mientras se opera el ahumador. Si se necesita más agua durante el proceso de cocción, con cuidado vierta agua en el orificio bandeja de goteo. **NO** retire el tazon de agua para agregar agua. Evitar las salpicaduras de agua sobre el elemento de calentamiento. Graves daños al elemento de calentamiento puede resultar, además de ataques de asma y falla eléctrica.

INSTRUCCIONES DE FUNCIONAMIENTO

Sazonar el Ahumador (Antes del uso inicial)

Para sazonar su ahumador, siga estos pasos SIN el uso de los alimentos:

1. Coloque deseada maderas aromatizantes en depósito de desechos de madera y se llenan a $\frac{3}{4}$ llena. NO coloque el agua en un recipiente de agua.
2. Con la puerta del ahumador cerrada, gire la perilla de control para 3 (Alta) y mantener esta con figuracion de este quemador por 2 horas.
3. Una vez que se haya completado el condimento, el interior de su ahumador tendrá un recubrimiento durable, sazonada.
4. Permitir que el fumador se enfríe completamente, antes de limpiar el depósito de desechos de madera.

⚠ PRECAUCIÓN ⚠

El ahumador se CALIENTA durante el uso. Use guantes resistentes al calor en su acceso al interior del ahumador.

Utilizando el Deposito de Astilla de Madera:

Gire la perilla de control hacia la derecha (mostrar icono de las agujas del reloj) para ajustar la temperatura deseada. La perilla se puede girar en cualquier posición entre 1 (baja) y 3 (alta). Gire la perilla hacia arriba (para aumentar la temperatura) o hacia abajo (para disminuir la temperatura), según sea necesario, para ajustar la temperatura deseada.

NOTA : El quemador no se enciendera hasta que la perilla este en "1" (Bajo). La luz indicadora, cerca de la perilla de control, se encenderá y permanecerá encendida hasta que la temperatura del ahumador haiga alcanzado el ajuste deseado. Una vez que se alcance la temperatura deseada, la luz indicadora se apagará. El termostato seguirá regulando la temperatura deseada rotando de forma automática el quemador encendido y apagado durante el uso. La temperatura interna puede fluctuar más o menos 10 a 15 ° (05.08 ° C)F, como los ciclos de electrodomésticos para mantener la configuración de la temperatura de cocción correcta. Consulte la página 77 para más información sobre las temperaturas de cocción.

Usando el Tazon de Agua:

El tazón de agua se difunde el calor directo entre el alimento y el elemento quemador. No se requiere el uso de agua en la taza, pero el tazon de agua DEBE estar en su lugar durante la operación. Para utilizar el bol, cubrir al menos $\frac{3}{4}$ de su capacidad con agua tibia, antes de encender el ahumador. El agua fría puede prolongar el proceso de cocción. No llene demasiado el tazon de agua. Si lo hace, puede provocar que el agua salpique dentro del ahumador.

! PRECAUCIÓN !

- **No utilice herramientas cortantes o puntiagudos para limpiar ahumador.**
- **No utilice limpiadores de horno abrasivos, lana de acero o cepillos metálicos para limpiar las parrillas de porcelana o del ahumador. Ellos dañarían el acabado.**
- **Reemplazar parte(s) dañada únicamente con Dyna-Glo repuestos certificado. No intente reparar las partes dañadas.**

- Con el fin de mantener un rendimiento óptimo, la limpieza del ahumador después de cada uso es recomendado.
- Espere hasta que el ahumador se haya enfriado por completo antes de la limpieza.
- Plástico o cepillos de cerdas se pueden utilizar para la limpieza de las manchas difíciles.
- **NO** use lana de acero o cepillos de alambre. Las piezas pueden desprenderse y tocar las partes eléctricas, creando un riesgo de descarga eléctrica.
- Limpie la carcasa del controlador y el elemento de calentamiento frotando con un paño húmedo. Use un detergente suave.
- Secar completamente la carcasa del controlador y el elemento de calentamiento antes de su uso. Si no lo hace, puede provocar daños en el controlador y evitar que el ahumador no funcione correctamente.
- Limpie las parrillas de cocción con agua tibia y jabón o con bicarbonato de sodio y agua. No limpiador de polvo abrasivo se puede utilizar para las manchas difíciles.
- Limpie el recipiente para la grasa y el tazón de agua con un paño húmedo y agua jabonosa caliente. Permitir los líquidos dentro del tazón de agua y recipiente de grasa que se enfríe completamente antes de limpiar.
- Evite limpiar las superficies para cocinar, mientras que el ahumador está todavía caliente.
- Siga todas las advertencias y precauciones de seguridad antes de retirar la carne del ahumador o preparar la unidad para su almacenamiento. Por favor, consulte la página 58 de las advertencias y precauciones importantes.

CONSEJOS SOBRE AHUMADO

Vinculación de astillas de madera con un tipo específico de comida dependerá de las preferencias del usuario. Esta página puede ser utilizada como una guía general para adquirir el sabor ideal.

- Las maderas duras tales como el nogal, pacana, manzana, cereza o mezquite suelen quemarse más lento y producen más humo durante períodos más largos de tiempo.
- Para prolongar el ciclo de combustión para virutas de madera, pre-remojarse en un recipiente aparte de agua por lo menos 30 minutos y / o envuelva las fichas en papel de aluminio perforado.
- La mayoría de aroma de humo se produce dentro de la primera hora de cocinar. **Adición de astillas de madera después de la primera hora por lo general no es necesario a menos que se desee mayor sabor a ahumado.**

He aquí una lista de las maderas más populares ahumadoras y un poco de información acerca de cada una.

Tipo de madera	Alimentos sugeridos	Comentarios
Manzano	Carnes de todo tipo	Sabor suave y dulce con un leve toque frutal. Cada especie de manzano debe ofrecer un sabor levemente diferente. El humo de manzanos produce un efecto dorado atractivo.
Almendra	Carnes de todo tipo	Ofrece un humo dulce con un sabor avellanado natural.
Cenizas	Pescado y carnes rojas	Sabor muy suave.
Citrus	Cerdo y pollo	La madera de limoneros y naranjos produce un sabor suave y frutal.
Cherry	Cerdo y res	Sabor frutal y suave.
Madera de frutales	Cerdo, aves y pescado	La madera de durazneros, perales y ciruelos produce un humo dulce suave y un leve sabor frutal.
Parra	Aves, game y cordero	La madera de parra produce mucho humo. Con poca cantidad de madera es suficiente. Produce un sabor ácido que tiene un toque frutal.
Nogal americano	Cerdo y res	Podría decirse que la madera de nogal es la favorita para ahumar. El nogal produce un sabor muy fuerte, por lo tanto se recomienda comenzar despacio con esta madera.
Maple	Cerdo y aves	Suave y dulce.
Mesquite	Res, pollo y pescado	Tenga cuidado porque esta madera se calienta mucho al quemarse. Del mismo modo que la madera de nogal, la de mesquite es muy popular y produce un sabor fuerte.
Oak	Carnes rojas, aves de corral, costillar y pescado	Otra madera que produce un humo espeso. Comience despacio con esta madera.
Pacana	Costillar y carnes rojas	Produce un humo suave que ofrece un sabor dulce y avellanado.

FUMAR Y TEMPERATURAS DE CARNE SUGERENCIAS

TEMPERATURAS DE AHUMADO SUGERIDAS

Temperaturas fumar ACURATE son críticos para cocinar los alimentos de manera segura cuando las sondas de carne no son disponible. Por favor, comprenda que el uso del medidor de temperatura instalado en fábrica es una aceptable herramienta para ahumar alimentos, pero no siempre es el medio ideal para medir el fumar más precisa la temperatura porque la temperatura interna fumador puede variar entre la cocina superior e inferior rejillas. También hay que tener en cuenta que las sondas utilizadas en la mayoría de los medidores están diseñados para medir la temperatura en la punta de la sonda de temperatura y no la temperatura global del fumador.

Alternativamente, se recomienda que los usuarios o bien comprar una temperatura mercado de accesorios, listos para el horno medir, o un termómetro de carne. Termómetros de carne son la forma más eficaz de determinar cuándo la comida es cocinada a la temperatura mínima requerida para el consumo seguro. Por favor, consulte la tabla siguiente para temperaturas de cocción.

TEMPERATURAS DE AHUMADO SUGERIDAS

	Temperatures de ahumado sugeridas	Temperaturas Mínimas Recomendadas para los Alimentos
Carne, Aves, Pescado		
Carne de res, ternera y cordero (piezas y cortes completos)		
Medio cruda	225°F (107.2°C)	145°F (63°C)
Término medio	225°F (107.2°C)	160°F (71°C)
Bien asada	225°F (107.2°C)	170°F (77°C)
Cerdo (jamón, lomo de cerdo, costillas)		
Cerdo (piezas y cortes completos)	225 - 240°F (107.2 - 115.6°C)	160°F (71°C)
Carne molida y mezclas de carne (hamburguesas, salchichas, albóndigas, pastel de carne, guisos y carne ablandada mecánicamente)		
Carne de vaca, (incluyendo ablandada mecánicamente) cordero y cerdo	250 - 300°F (121 - 149°C)	160°F (71°C)
Aves (pollo & pavo)	250 - 300°F	165°F (74°C)
Aves (pollo & pavo)		
Piezas	250°F (121°C)	165°F (74°C)
Completo	240°F (115.6°C)	185°F (85°C)
Comida de mar		
Pescado	225 - 240°F (107.2 - 115.6°C)	158°F (70°C)
Mariscos (camarón, langosta, cangrejo, escalopes, almejas, mejillones y ostras)	225 - 240°F (107.2 - 115.6°C)	165°F (74°C)
Puesto que es difícil utilizar un termómetro de alimentos para verificar la temperatura de los mariscos, descarte aquellos que no abran después de cocinados.		

	Temperatures de ahumado sugeridas	Temperaturas Mínimas Recomendadas para los Alimentos
De Caza		
Chuletas, filetes y asados (venado, alces, caribú / reno, antílope y berrendo)		
Bien asada	225°F (107.2°C)	170°F (77°C)
Caza mayor		
Oso bisonte, buey almizclero, morsa, etc	250 - 300°F (121 - 149°C)	165°F (74°C)
Caza menor		
Conejo, rata almizclera, castor, etc	225 - 240°F (107.2 - 115.6°C)	165°F (74°C)
Carne molida		
Carne molida y mezclas de carne	250 - 300°F (121 - 149°C)	165°F (74°C)
Venado molido y salchichas	250 - 300°F (121 - 149°C)	165°F (74°C)
Aves de caza / aves acuáticas (pavo silvestre, pato, ganso, perdiz y faisán)		
Completo	250°F (121°C)	180°F (82°C)
Pechugas y asados	250°F (121°C)	165°F (74°C)
Muslos, alas	250°F (121°C)	165°F (74°C)
Relleno (cocinado solo o dentro de un ave)	250°F (121°C)	165°F (74°C)

CUIDADO Y MANTENIMIENTO

DESPUÉS DEL USO DE CUIDADO Y MANTENIMIENTO

⚠ ADVERTENCIA ⚠

- Tenga cuidado al levantar o mover el ahumador para evitar lesiones por esfuerzo. Se recomiendan dos personas para levantar o mover el ahumador.
- **NO** almacene cerca del fumador gasolina u otros líquidos inflamables o combustibles, donde los vapores puedan estar presentes. Mantenga el área alrededor del fumador despejada y libre de materiales combustibles y vapores.
- **NO** almacene este año en la zona de fumador disponibles para los niños o mascotas. Guarde el ahumador en un lugar seco, protegida de ubicación.
- **NO** permita que nadie conduite actividades alrededor del ahumador hasta que se haya enfriado Después de su uso. Hace calor y la caída en la operación permanece caliente durante un período de tiempo después de su uso.
- **NO** deje ceniza caliente sin vigilancia hasta que el ahumador se enfríe completamente.
- El fumador se vuelve extremadamente caliente - permitir que el ahumador se enfríe completamente antes de manipularla. Deje que se enfríe antes de que el fumador Extracción y limpieza de la bandeja para la grasa.
- Si usted debe tener las cenizas en menos tiempo del que tarda em se enfríe completamente, retire la bandeja de carbón utilizando guantes resistentes al calor y colocar las cenizas en papel de aluminio. Completamente remojar las cenizas con agua antes de deshacerse de ellos en un recipiente no combustible.

⚠ PRECAUCIÓN ⚠

Todos los procedimientos de cuidado y mantenimiento deben ser realizadas mientras el ahumador está apagado, desenchufado y enfriado. Realice siempre el mantenimiento por un técnico cualificado.

Para limpiar el interior y el exterior del gabinete del ahumador, simplemente utilice un paño humedo.

No se recomienda el lavado con una manguera de agua. La humedad debe limpiarse de distancia y no se deajo estar en el interior o en la parte superior del ahumador. Una vez limpio, puede que prefiera para recubrir ligeramente el interior del gabinete del ahumador con aceite de cocina o aceite en aerosol.

Si el oxido esta presente en la superficie exterior del ahumador, limpie el área con lana de acero o papel de lija y el uso de alta resistencia, pintura resistente al calor.

NUNCA aplique pintura adicional al interior del ahumador.

SOLUCIÓN DE PROBLEMAS

Si usted tiene alguna pregunta sobre el producto, por favor llame a servicio al cliente al 1-877-447-4768, 08:30 am - 16:30 CST, Lunes - Viernes.

PROBLEMA	CAUSA POSIBLE	ACCIÓN CORRECTIVA
Ahumador sin el calor.	<ul style="list-style-type: none"> • Ahumador esta apagado • No tiene energia • Controlador defectuoso o elemento de calentamiento 	<ul style="list-style-type: none"> • Encienda el ahumador • Verifique que no haya tropezos en los circuitos y restablecer el interruptor, si es necesario • Compruebe si GFI defectuoso o desconectado (Interruptor de falla de tierra) en la salida. Restablecer el GFI o reemplazar, si es necesario. • Si el interruptor o GFI continúa para disparando, utilizar otra toma de corriente en un circuito interruptor independiente. • Pruebe con otro aparato que trabaja en la salida. • Reemplazar controlador o elemento calefactor
Dispara el interruptor automatico o el fusible se funde	<ul style="list-style-type: none"> • Otro aparatos conectados en el mismo circuito que el ahumador (demasiados aparatos mediante el mismo circuito). • La humedad o el agua en el controlador, conexion del cable o la conexion de salida • Dañado o cuerda deshilachada • Conexion electrica dañada 	<ul style="list-style-type: none"> • Encontrar otro tomacorriente en un circuito separado • Mantenga todas las conexiones secas y libres de humedad. NO utilice este aparato en la lluvia o cuando la nieve está cayendo. • Apague el ahumador, desenchufe el ahumador y compruebe el cable está dañado. Reemplace si es necesario. • Reemplace el controlador
Ahumador no genera suficiente calor	<ul style="list-style-type: none"> • Ahumador no fue precalentado suficiente o la temperatura era demasiado bajo • La puerta abierta o desbloqueada • Cable de extension inadecuada 	<ul style="list-style-type: none"> • Pre-caliente durante 15-20 minutos. Aumentar los ajustes de temperatura a través del controlador • Cierre la puerta y el pestillo de la puerta antes de su uso. • Utilice el cable clasificado para su uso al aire libre a los 15 amperios
Muy poco o nada de humo procedente del ahumador	<ul style="list-style-type: none"> • Insuficiente astillas de madera • Las astillas de madera son demasiado pequeños 	<ul style="list-style-type: none"> • Comprobar el nivel de astillas de madera. Depósito de astillas de madera debe ser de al menos $\frac{3}{4}$ de su capacidad • Para generar cantidades adecuadas de humo, astillas de madera deben ser de al menos 1"-3" (2,5 cm - 7,6 cm) y no más gruesa que $\frac{1}{4}$" (0,6 cm). No se recomiendan las virutas de madera y trozos de madera. NO use carbon.

SOLUCIÓN DE PROBLEMAS

PROBLEMA	CAUSA POSIBLE	ACCIÓN CORRECTIVA
Brotos	<ul style="list-style-type: none">• La carne contiene cantidades excesivas de grasa• La temperatura de cocción es demasiado alta• Acumulación de grasa	<ul style="list-style-type: none">• Recorte la cantidad adecuada de grasa antes de cocinar• Baje la temperatura según sea necesario• Limpiar el ahumador, de acuerdo con las instrucciones
Incendio de grasa persistente	<ul style="list-style-type: none">• El exceso de acumulación en la bandeja de goteo de grasa y/o gaveta para grasa	<ul style="list-style-type: none">• Apague el ahumador y abra la puerta para permitir que el fuego se queme. NO utilice agua para apagar el fuego. Lesiones personales pueden resultar. Permitir que el ahumador se enfríe completamente antes de limpiar la bandeja y taza.

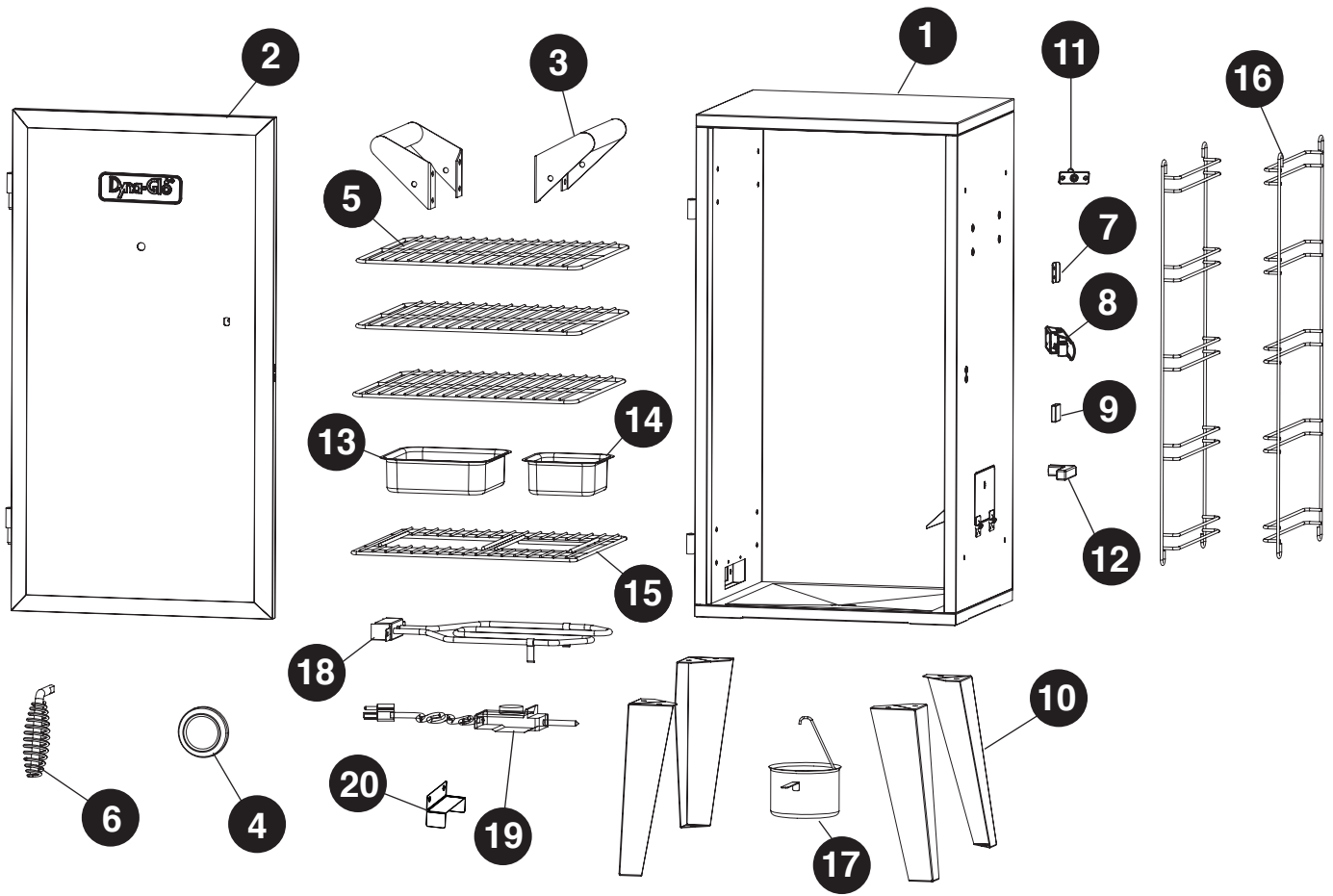
LISTA DE PIEZAS DE REPUESTO

Para obtener piezas de repuesto, llame a nuestro Departamento de Servicio al Cliente al 1-877-447-4768, de 8:30 am - 4:30 pm, hora central, de lunes - viernes.

REF.	DESCRIPCIÓN	PIEZA #
1	Conjunto del gabinete del Ahumador	70 - 01 - 375
2	Conjunto de la puerta con Logo (Sin medidor de temp)	70 - 01 - 370
3	Asas lateral (L/R)	70 - 01 - 373
4	Conjuntode medidorde Temp*	70 - 01 - 372
5	Parillas de coccion	70 - 01 - 374
6	Conjunto de manilla de puerta	70 - 01 - 371
7	Soporte de cierre de la puerta	70 - 01 - 352
8	Manilla de cierre de puerta (sin manga)	70 - 01 - 353
9	Manga de manilla de cierre de puerta	70 - 01 - 356
10	Pata	70 - 01 - 379
11	Conjunto de tubo del escape de aire	70 - 01 - 381

REF.	DESCRIPCIÓN	PIEZA #
12	Manilla de puerta de astilla de madera de acceso*	70 - 01 - 383
13	Tazon de agua	70 - 01 - 427
14	Deposito de astillas de madera	70 - 01 - 428
15	Tazon de agua y soporte de deposito de las astillas de madera	70 - 01 - 376
16	Soporte de parilla de coccion	70 - 01 - 382
17	Conjunto de recipient de grasa	70 - 01 - 380
18	Conjunto de element de calentamiento	70 - 01 - 377
19	Conjunto de control del termostato	70 - 01 - 378
20	Escudo termostato	70 - 01 - 424
n/a	Paquete de hardware	70 - 09 - 506
n/a	Manual de instrucciones	70 - 10 - 560

LISTA DE PIEZAS DE REPUESTO



GARANTÍA

Este Ahumador Analogico Electrico Vertical está garantizado contra partes rotas o dañadas en el momento de la compra. Todas las demás partes tienen un (1) año de garantía limitada, excepto el contenedor de carbón, el cual está garantizado como libre de defectos por 90 días. La pintura está garantizada como libre de defectos por 90 días a excepción del óxido, el cual puede aparecer después de un uso repetido.

Esta garantía no cubre daños o problemas ocasionados por negligencia, abuso o modificaciones al electrodoméstico. Los gastos de reparación no están cubiertos.

Todas las piezas que cumplan con los requisitos de la garantía se enviarán sin cargo por el medio que decida el fabricante (envíos por tierra, correo de EE.UU. o servicios de paquetes postales ÚNICAMENTE). Cualquier otro gasto especial de manipulación (es decir, envíos de dos días, al día siguiente, etc.) será de responsabilidad del cliente.

Todos las reclamaciones de garantía se aplican sólo al comprador original y requieren un comprobante de compra para verificar la fecha de la misma. No devuelva piezas sin antes obtener un número de autorización para la devolución de nuestro Servicio al Cliente. Este servicio está disponible llamando gratis al 1-877-447-4768, de 8:30 am - 4:30 pm, hora central, de lunes - viernes.

AVISO: Algunos estados no permiten la exclusión o limitación de daños accidentales o resultantes, o limitaciones en cuanto al período de duración de una garantía, de modo que las limitaciones o exclusiones anteriores pueden no aplicarse a usted. Esta garantía le otorga derechos legales específicos, pero podría tener también otros derechos legales que varían según el estado.

GHP Group Inc.
6440 W. Howard Street
Niles, IL, USA
60714-3302

Nombre del artículo: Ahumador Analogico Electrico Vertical
Modelo #: DGU505BAE / DGU505BAE-D
Potencia nominal: 1,500W/hr